



US00D912098S

(12) **United States Design Patent**
Tanaka et al.

(10) **Patent No.:** **US D912,098 S**
(45) **Date of Patent:** **** Mar. 2, 2021**

(54) **TRAVELING MACHINE FOR POWER SHOVELS**

(71) Applicant: **Caterpillar SARL**, Geneva (CH)

(72) Inventors: **Kimikage Tanaka**, Hyogo (JP);
Shinpei Araki, Hyogo (JP); **Shuji Kidoguchi**, Tokyo (JP)

(73) Assignee: **Caterpillar SARL**, Geneva (CH)

(**) Term: **15 Years**

(21) Appl. No.: **29/715,941**

(22) Filed: **Dec. 5, 2019**

(30) **Foreign Application Priority Data**

Jun. 7, 2019 (JP) JP2019-012515

(51) **LOC (13) Cl.** **15-03**

(52) **U.S. Cl.**
USPC **D15/22**

(58) **Field of Classification Search**

USPC D15/22-26, 28, 30, 31, 33, 10; 180/89.1,
180/89.12, 235, 900, 298, 68.5; 414/685,
414/686, 694, 722, 680, 724, 699;
280/400

CPC A01G 23/093; A01G 23/08
See application file for complete search history.

(56) **References Cited**

U.S. PATENT DOCUMENTS

D508,498 S * 8/2005 Shimokakiuchi D15/24
D518,071 S * 3/2006 Gwak D15/24

D575,804 S * 8/2008 Murakami D15/28
D590,845 S * 4/2009 Ochi D15/22
D591,773 S * 5/2009 Ueta D15/22
D631,067 S * 1/2011 Nishimura D15/24
D677,703 S * 3/2013 Hiraoka D15/25
D684,599 S * 6/2013 Saito D15/24
D692,464 S * 10/2013 Sumitani D15/24
D692,465 S * 10/2013 Sumitani D15/24
D707,261 S * 6/2014 Caboret D15/24
D738,403 S * 9/2015 Imashige D15/24
D842,344 S * 3/2019 Okuyama D15/23

FOREIGN PATENT DOCUMENTS

JP D1580238 7/2017

* cited by examiner

Primary Examiner — Mark A Goodwin

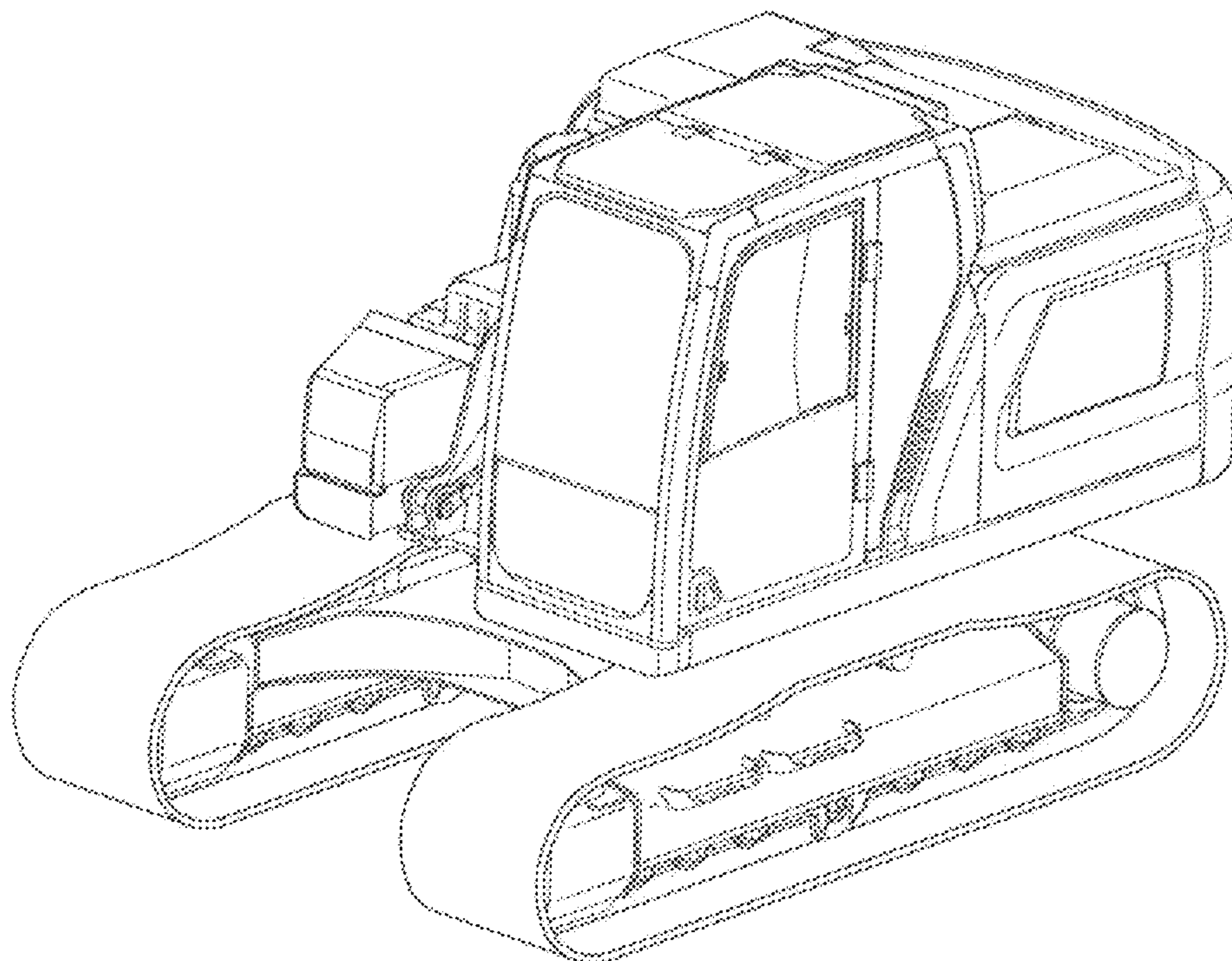
(57) **CLAIM**

The ornamental design for a traveling machine for power shovels, as shown and described.

DESCRIPTION

FIG. 1 is a front, left perspective view of a traveling machine for power shovels showing our new design; FIG. 2 is a front, right perspective view thereof; FIG. 3 is a rear, left perspective view thereof; FIG. 4 is a rear, right perspective view thereof; FIG. 5 is a front view thereof; FIG. 6 is a rear view thereof; FIG. 7 is a left side view thereof; FIG. 8 is a right side view thereof; and, FIG. 9 is a top view thereof.

1 Claim, 9 Drawing Sheets



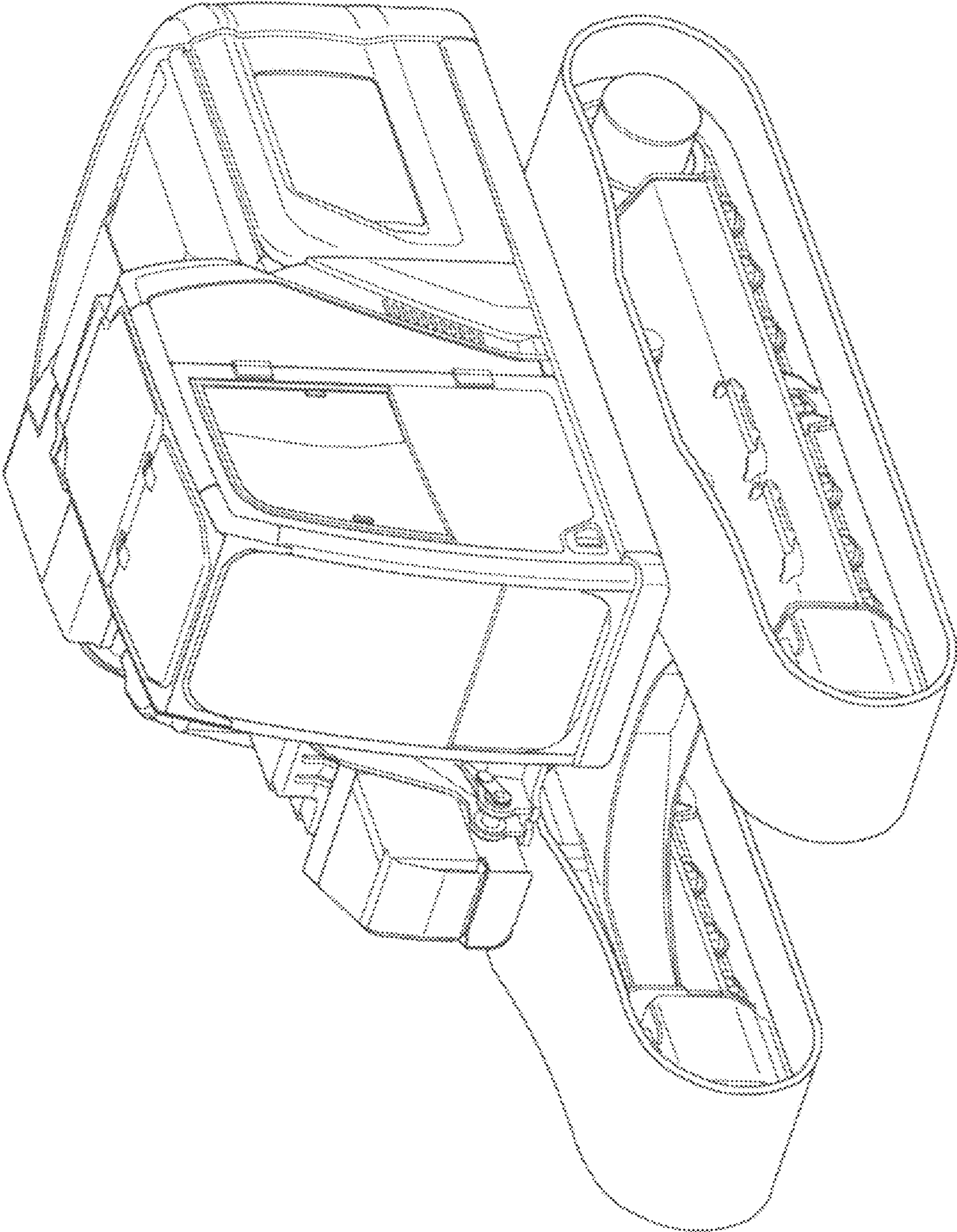


FIG. 1

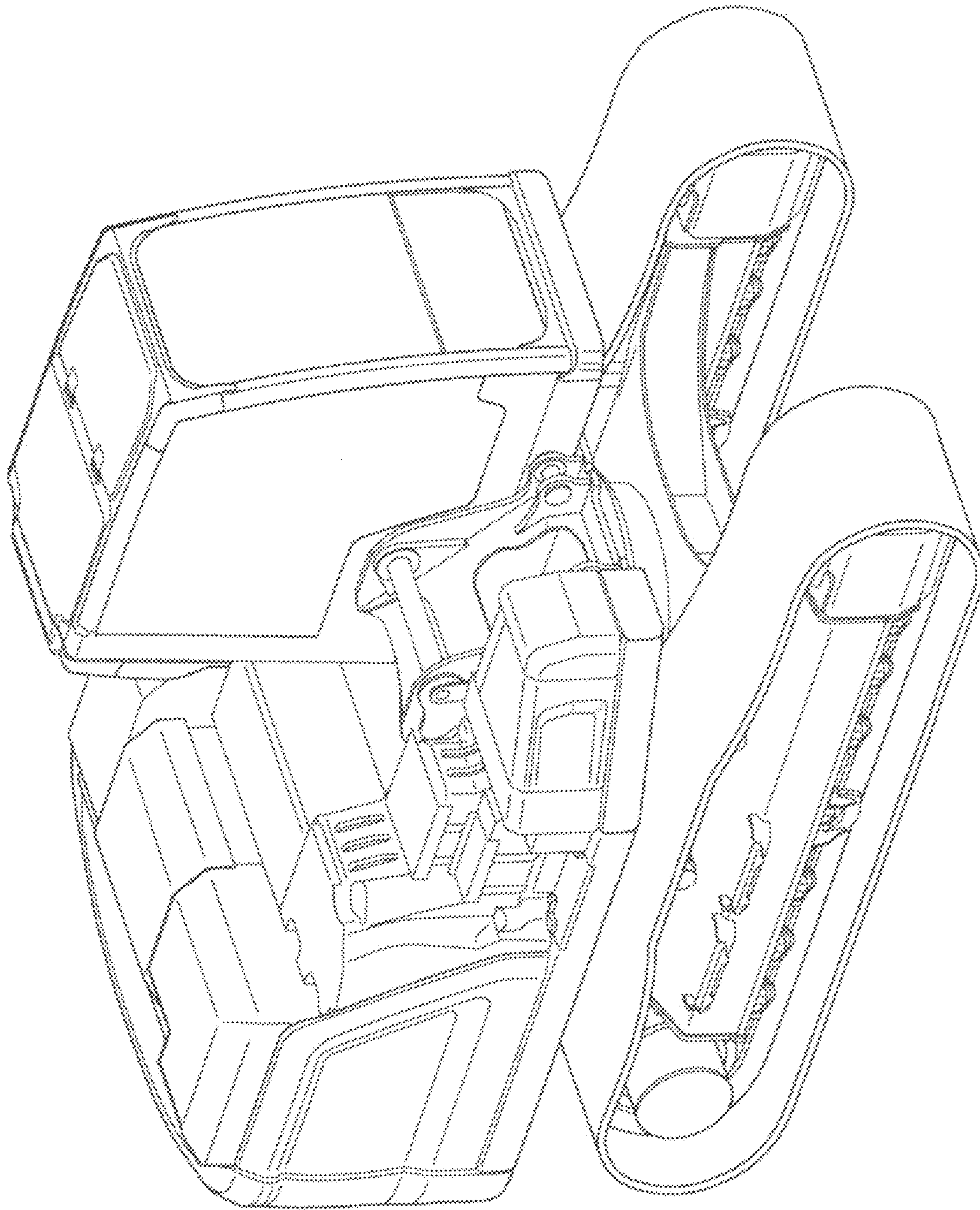


FIG. 2

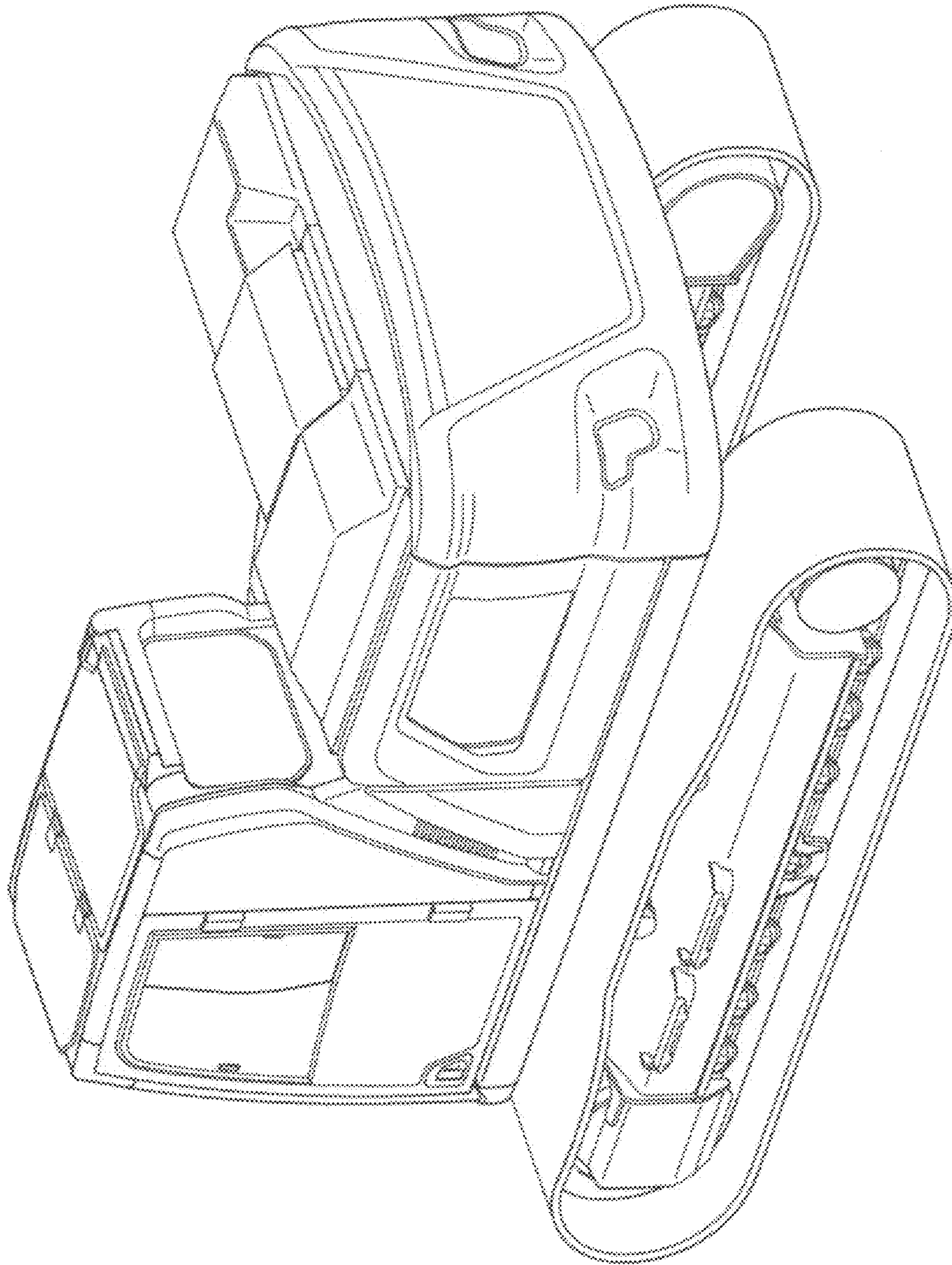


FIG. 3

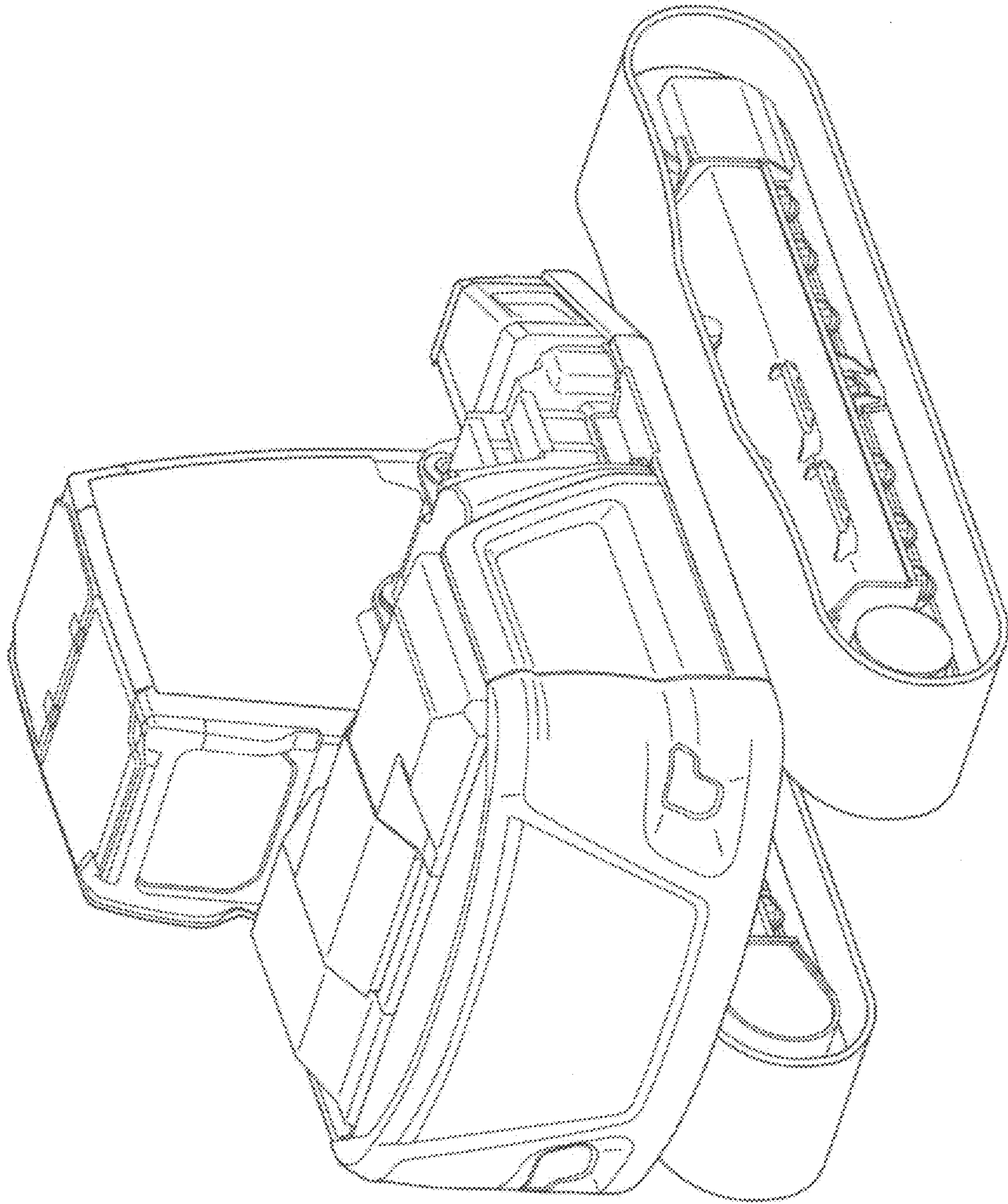


FIG. 4

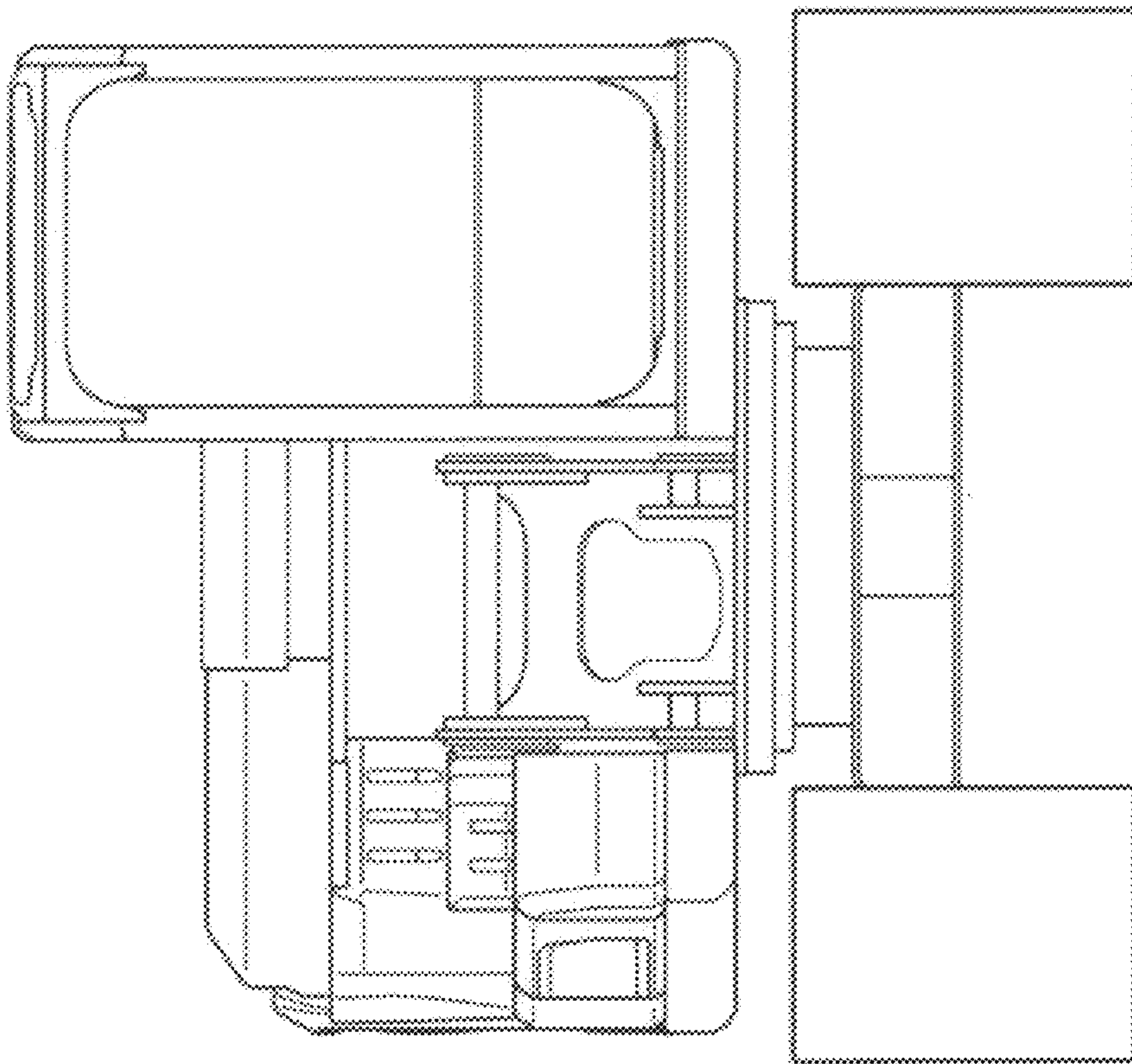


FIG. 5

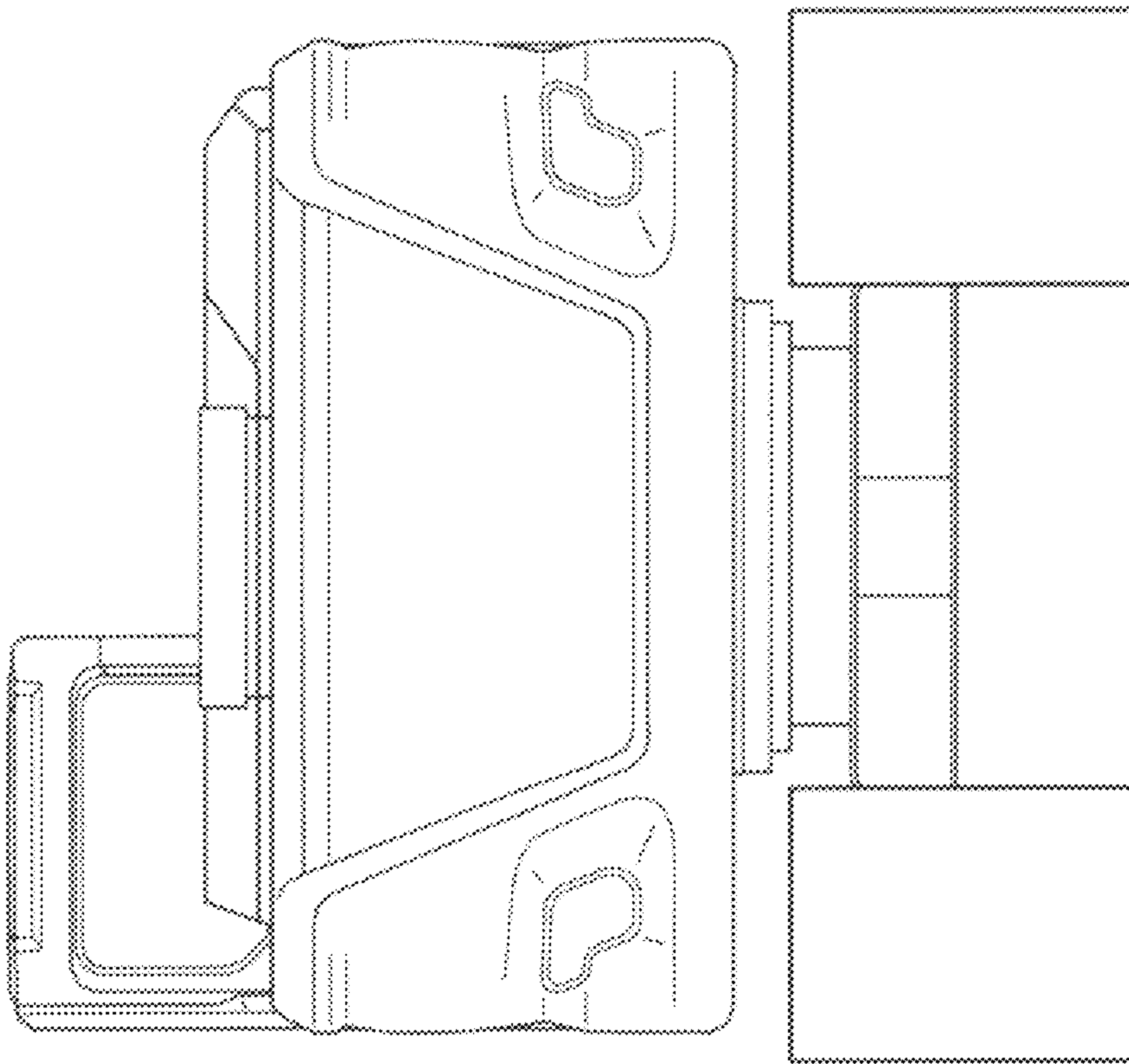


FIG. 6

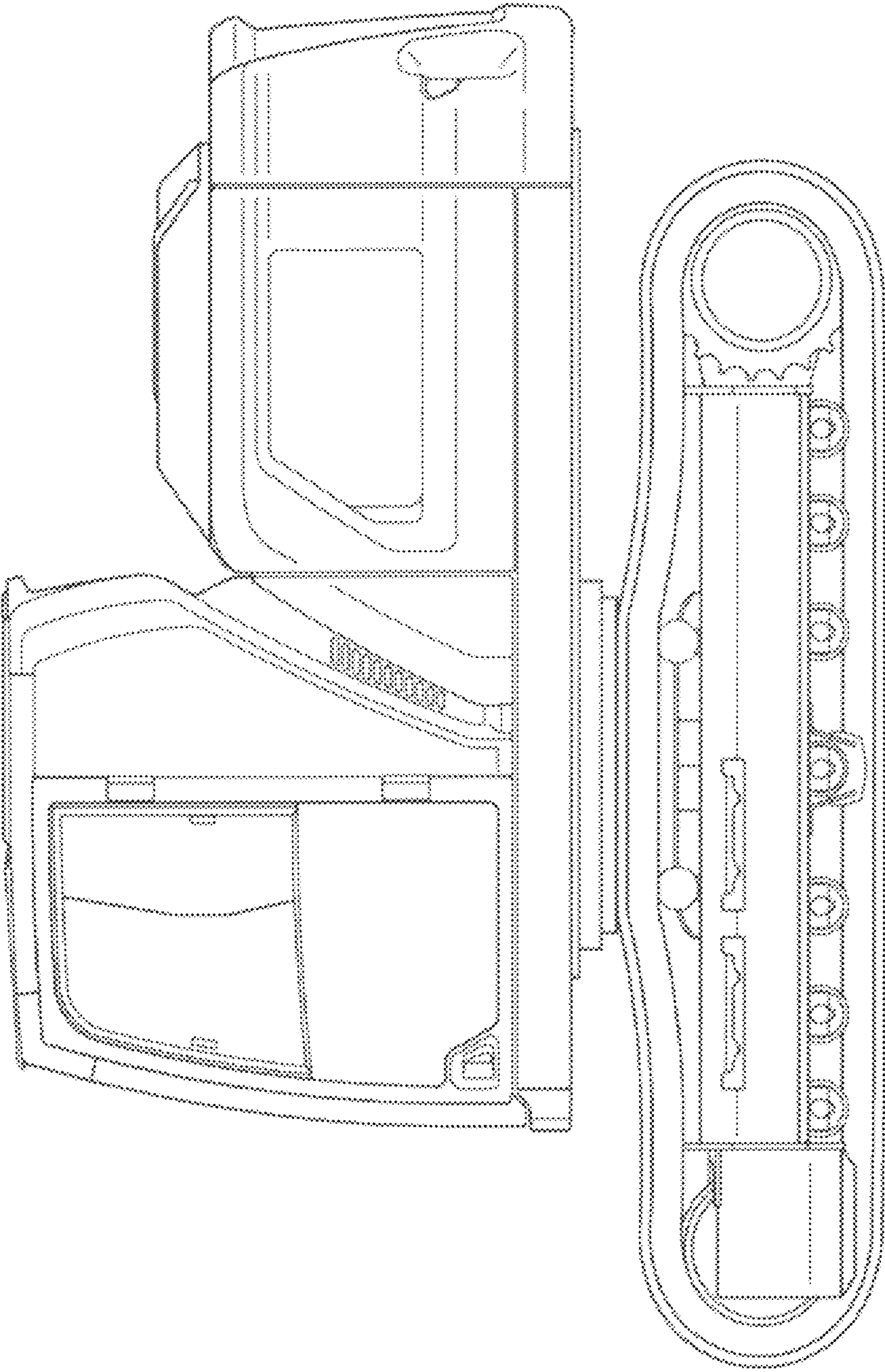


FIG. 7

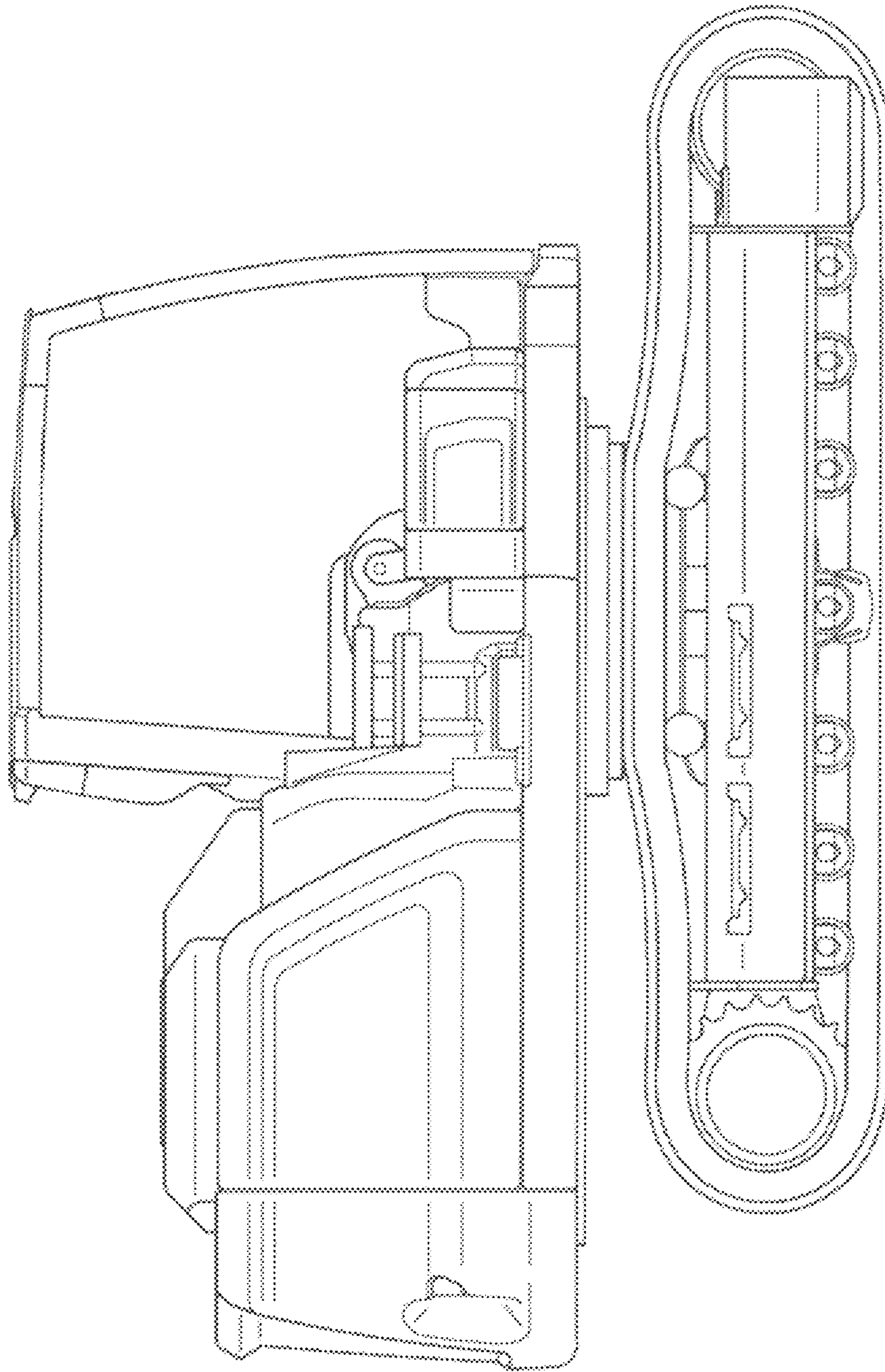


FIG. 8

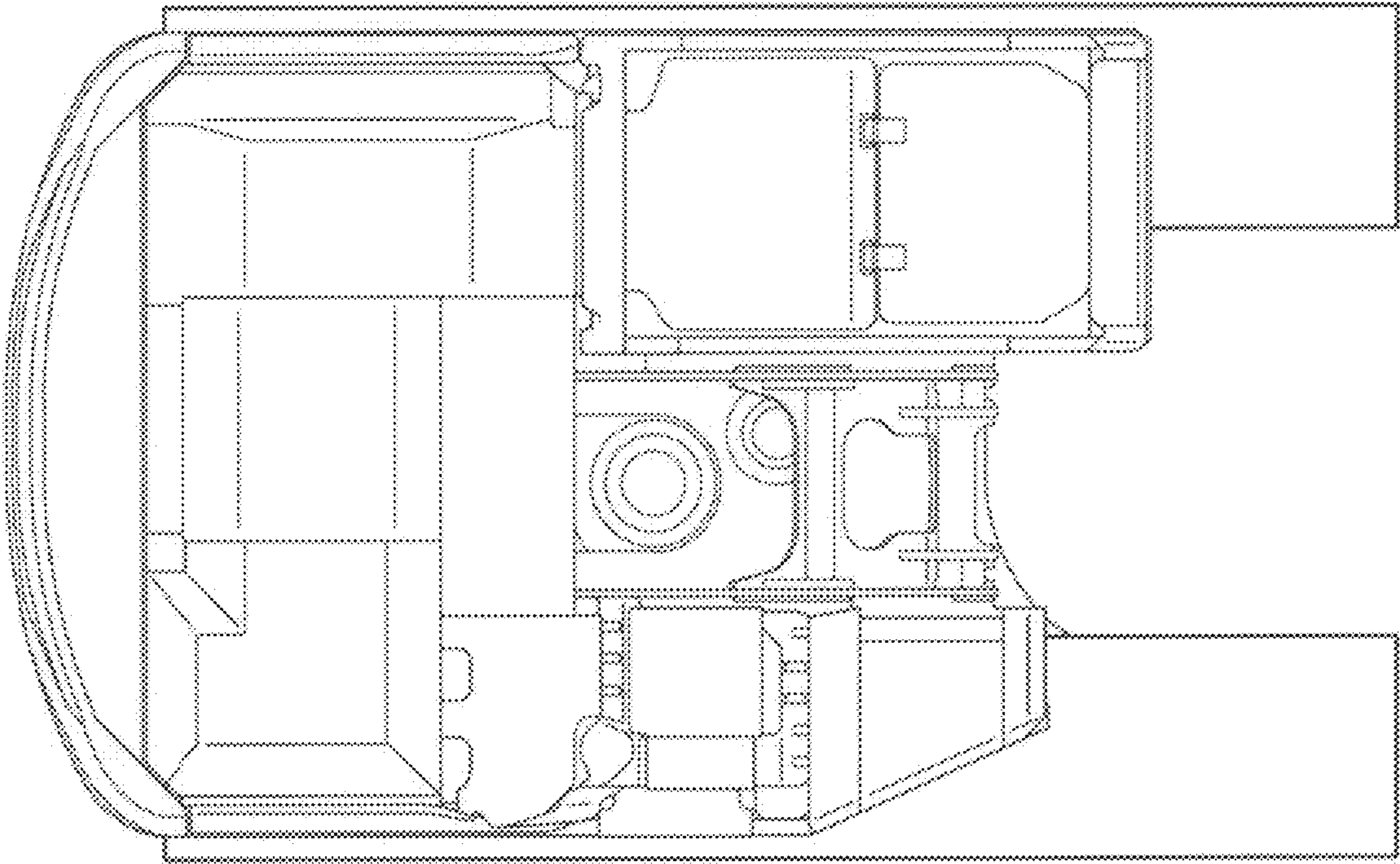


FIG. 9