



US00D912096S

(12) **United States Design Patent**  
**Tomczak et al.**

(10) **Patent No.:** **US D912,096 S**  
(45) **Date of Patent:** **\*\* Mar. 2, 2021**

- (54) **ELECTRIC MOTOR STARTER**
- (71) Applicant: **Siemens Aktiengesellschaft**, Munich (DE)
- (72) Inventors: **Christoph Tomczak**, Erlangen (DE); **Frank Zeitler**, Uttenreuth (DE)
- (73) Assignee: **Siemens Aktiengesellschaft**, Munich (DE)

- D381,960 S \* 8/1997 Chandler ..... D10/49
- D503,379 S \* 3/2005 Gheno ..... D13/110
- D590,122 S \* 4/2009 Shaw ..... D34/35
- D675,565 S \* 2/2013 Choi ..... D13/110
- D676,461 S \* 2/2013 Wertz ..... D10/49
- D680,501 S \* 4/2013 Elliott ..... H05K 5/0017  
D13/162
- D771,566 S \* 11/2016 Saarivirta ..... D13/110
- D772,161 S \* 11/2016 Saarivirta ..... D13/110
- D772,162 S \* 11/2016 Saarivirta ..... D13/110
- D821,446 S \* 6/2018 Squire ..... D15/5
- D862,399 S \* 10/2019 Andersson ..... D13/162

(\*\*) Term: **15 Years**

\* cited by examiner

(21) Appl. No.: **29/648,809**

*Primary Examiner* — Ania Aman

(22) Filed: **May 24, 2018**

(74) *Attorney, Agent, or Firm* — Cozen O'Connor

(30) **Foreign Application Priority Data**

(57) **CLAIM**

Nov. 24, 2017 (EM) ..... 004520963

The ornamental design for an electric motor starter, as shown and described.

(51) **LOC (13) Cl.** ..... **15-01**

**DESCRIPTION**

(52) **U.S. Cl.**  
USPC ..... **D15/5**

(58) **Field of Classification Search**  
USPC ..... D15/5; D13/113, 101, 110, 122, 123,  
D13/184, 199, 158, 162, 164; D10/49,  
D10/50

FIG. 1 is a front elevational view of an electric motor starter showing our new design;  
FIG. 2 is a rear elevational view thereof;  
FIG. 3 is a top plan view thereof;  
FIG. 4 is a bottom plan view thereof;  
FIG. 5 is a right-side elevation view thereof;  
FIG. 6 is left-side elevation view thereof; and,  
FIG. 7 is a front, top and right-side perspective view thereof.  
The broken lines shown in the drawings are for the purpose of illustrating portions of the article and form no part of the claimed design.

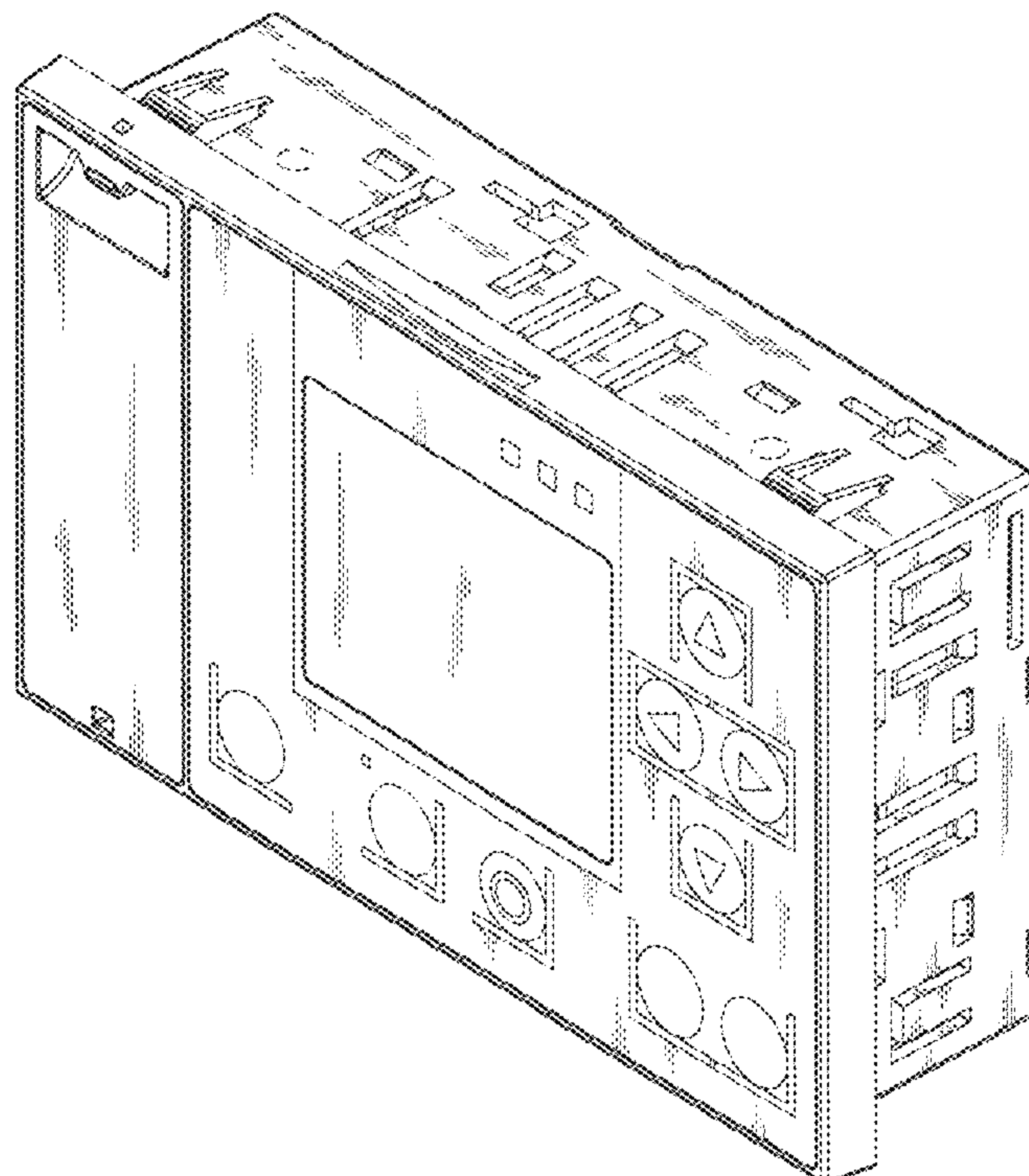
CPC ..... H05K 5/0017; H02P 1/029; H02P 1/42  
See application file for complete search history.

(56) **References Cited**

**U.S. PATENT DOCUMENTS**

- D348,674 S \* 7/1994 Lindeman ..... D13/164
- D380,737 S \* 7/1997 Weir ..... D13/162

**1 Claim, 7 Drawing Sheets**



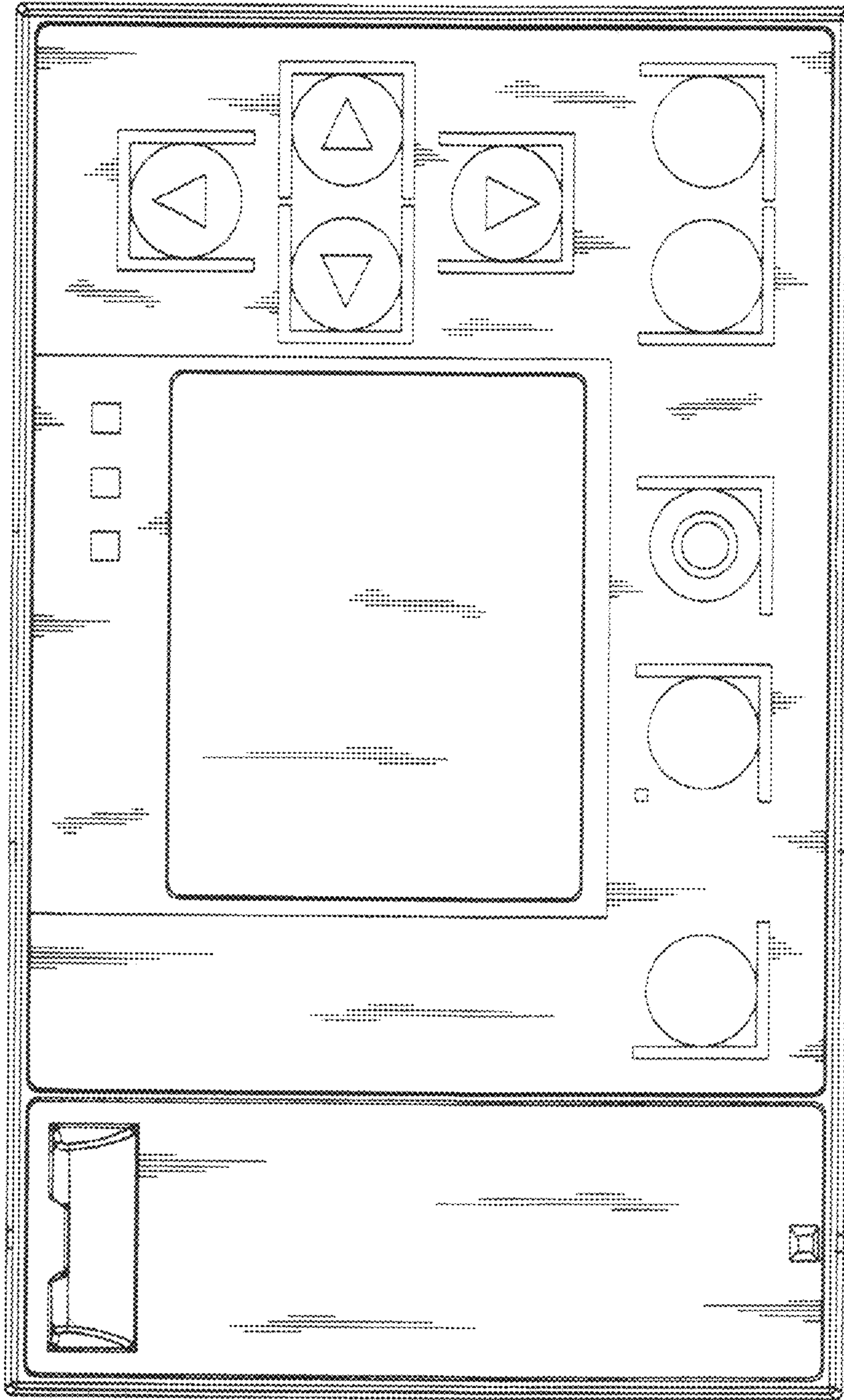


FIG. 1



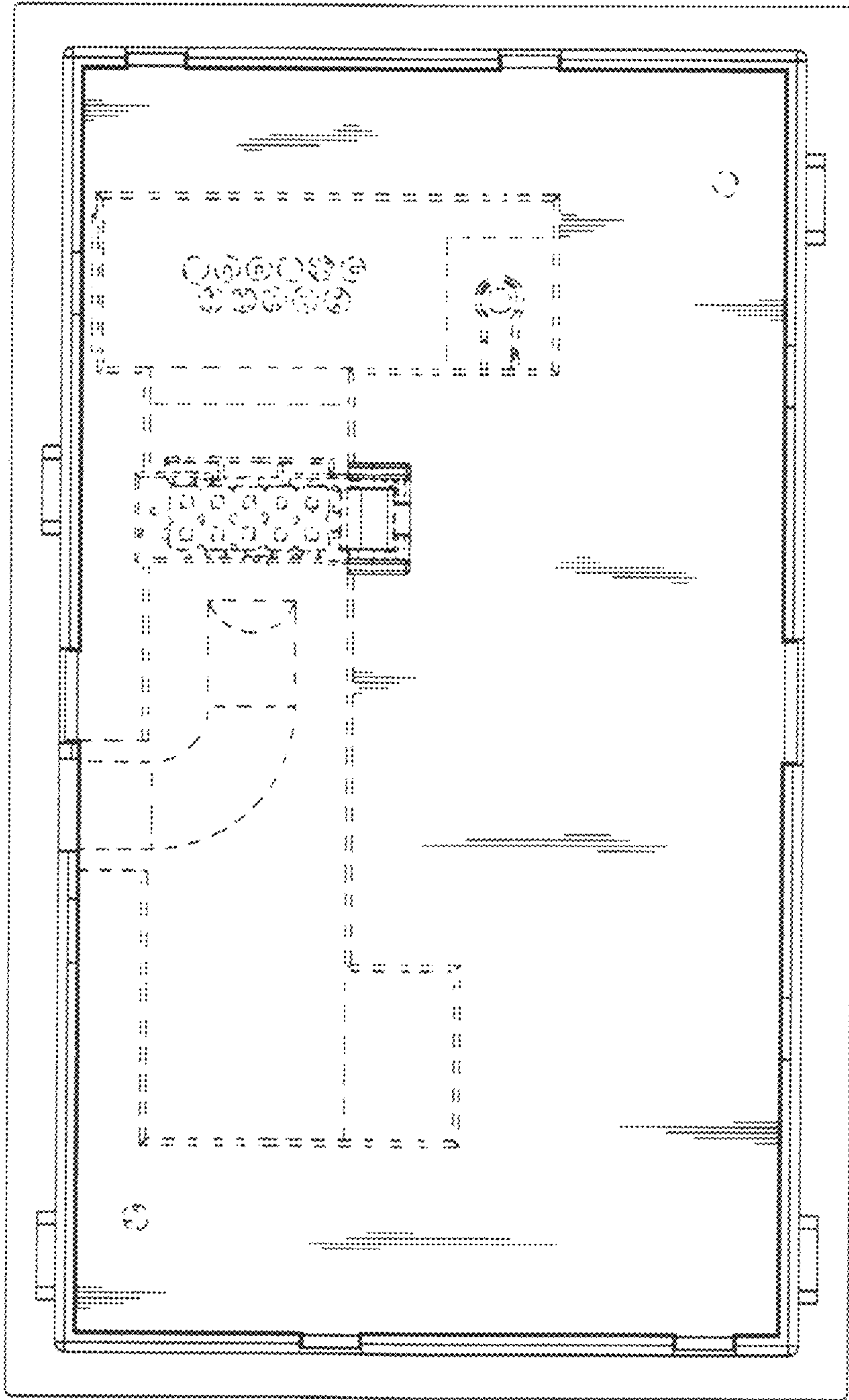


FIG.2

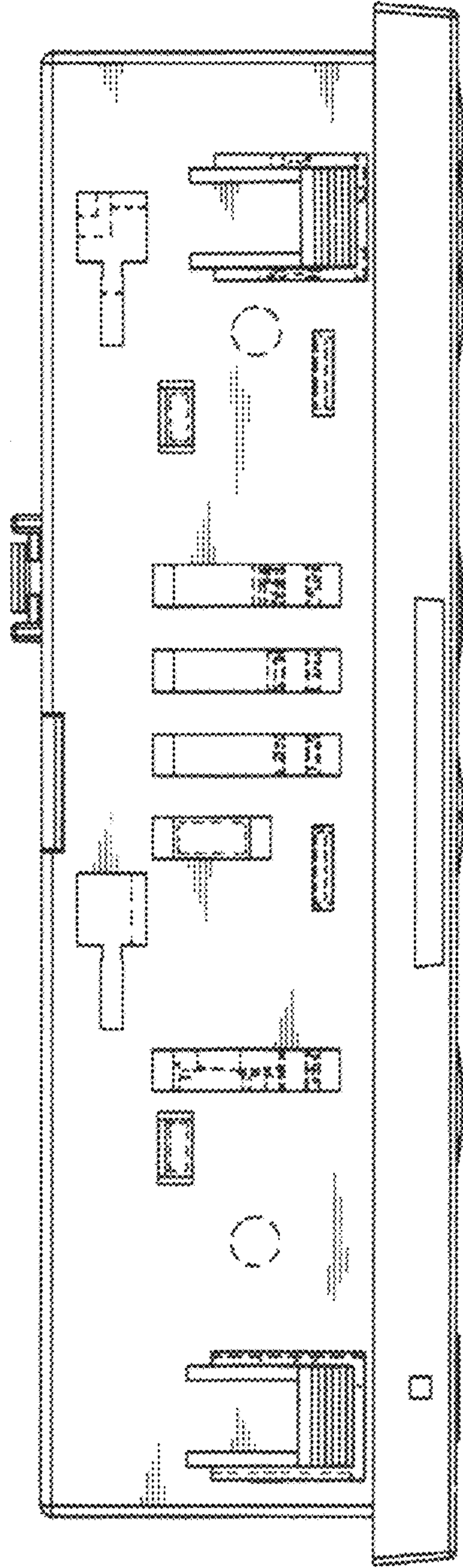


FIG. 3

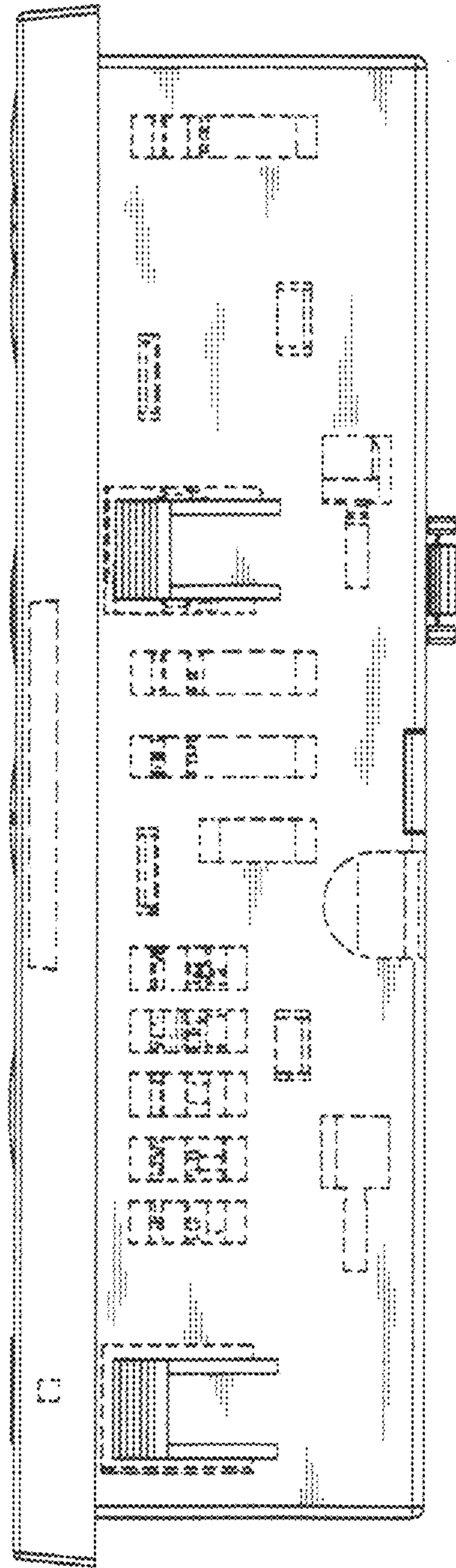


FIG. 4

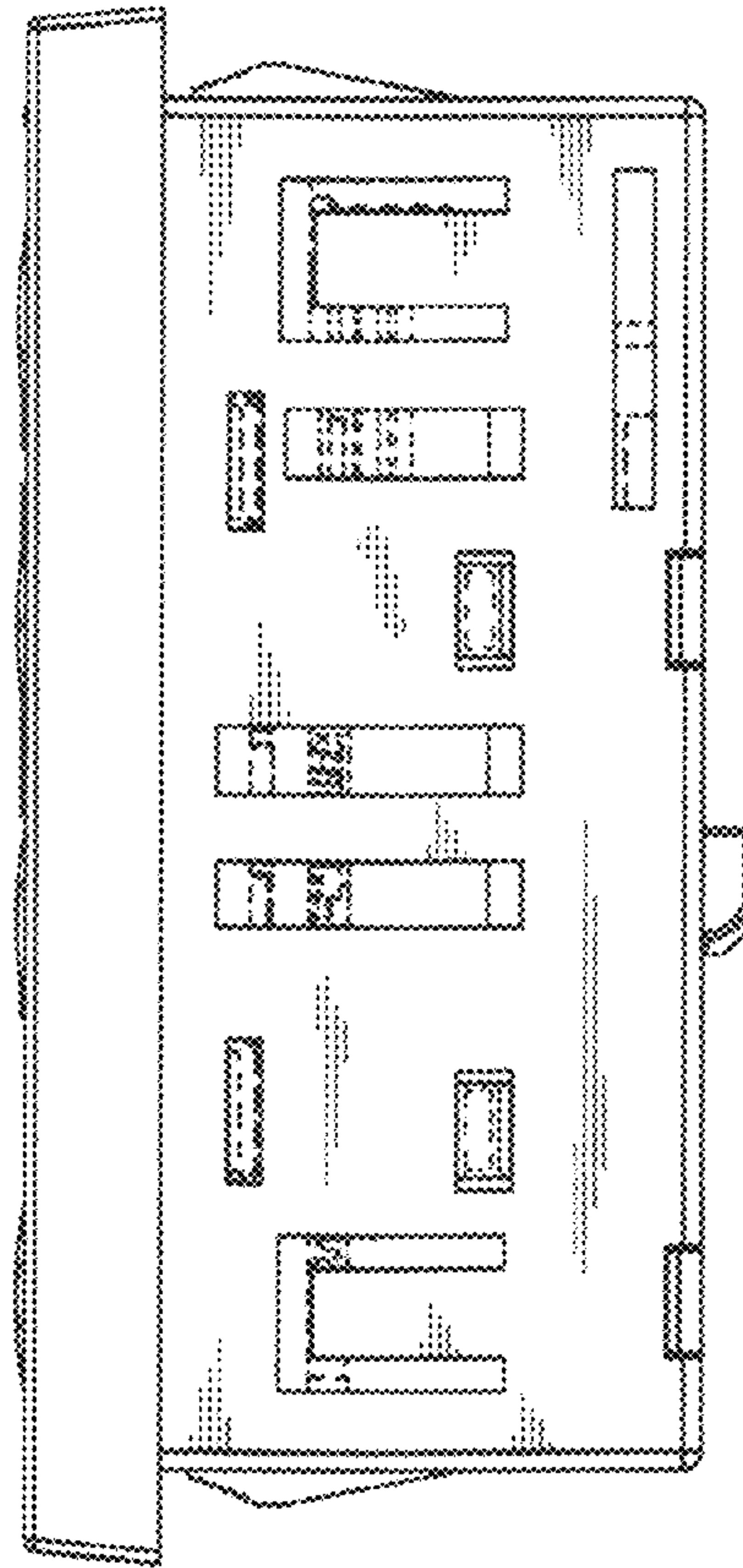


FIG.5

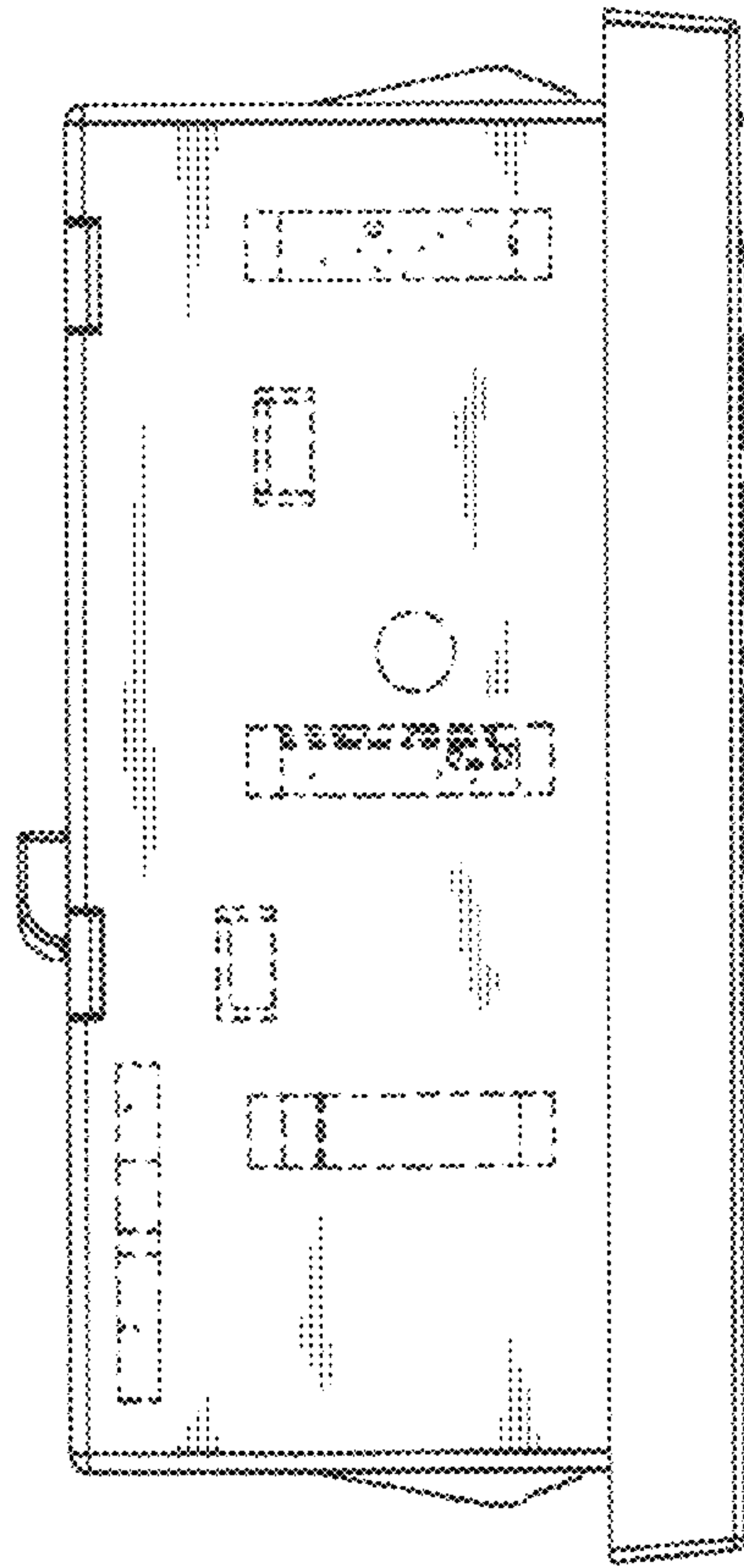


FIG. 6



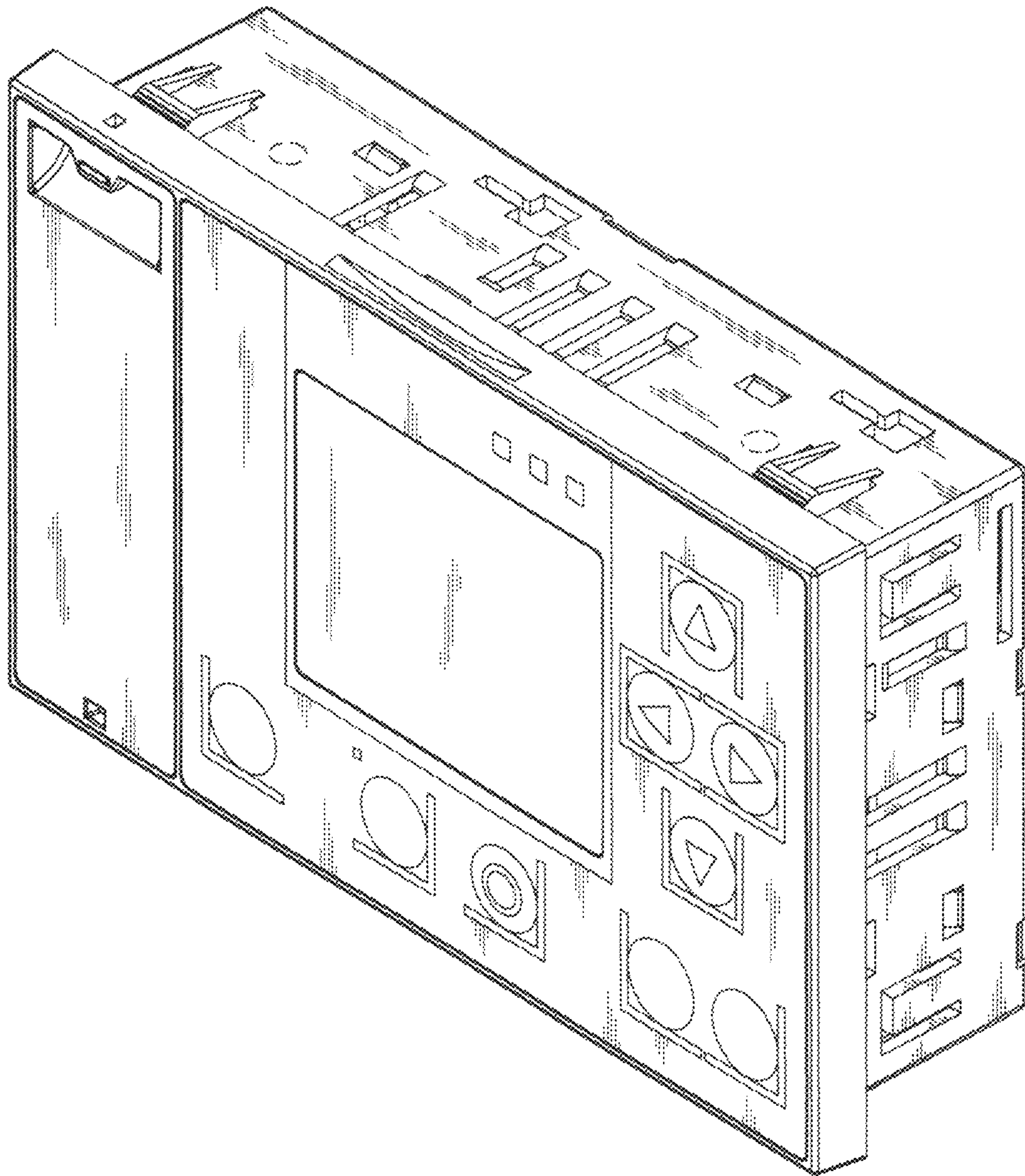


FIG. 7