



US00D912095S

(12) **United States Design Patent** (10) **Patent No.:** **US D912,095 S**  
**Wegner et al.** (45) **Date of Patent:** **\*\* Mar. 2, 2021**

(54) **AIR INTAKE COVER OF AN ENGINE**

(56) **References Cited**

(71) Applicant: **Kohler Co.**, Kohler, WI (US)

U.S. PATENT DOCUMENTS

(72) Inventors: **Brett Wegner**, Glenbeulah, WI (US);  
**Eric B. Hudak**, Sheboygan, WI (US);  
**Kenneth S. Hanna**, Bellingham, WA  
(US); **Mark J. Huibregtse**, Elkhart  
Lake, WI (US); **David Schultz**,  
Manitowoc, WI (US); **Adam Reich**,  
Whitelaw, WI (US); **Vaibhav**  
**Prabhakar Wagh**, Maharashtra (IN)

D379,995	S	*	6/1997	Gilmore	.....	D15/1
D396,045	S	*	7/1998	Neeley	.....	D15/1
D487,700	S	*	3/2004	Bourque	.....	D9/453
D527,022	S	*	8/2006	Walters	.....	D15/5
D594,878	S	*	6/2009	Post	.....	D15/5
7,594,484	B2	*	9/2009	Lavender	.....	F01P 5/06 123/198 E
D615,557	S	*	5/2010	Mayer	.....	D15/5
D655,310	S	*	3/2012	Tiefenthaler	.....	D15/5
D665,426	S	*	8/2012	Tiefenthaler	.....	D15/5
D667,464	S	*	9/2012	Tiefenthaler	.....	D15/5
D687,709	S	*	8/2013	Taylor	.....	D9/453
8,746,485	B1	*	6/2014	Tiefenthaler	.....	B60K 15/0406 220/288

(73) Assignee: **KOHLER CO.**, Kohler, WI (US)

(\*\*) Term: **15 Years**

(Continued)

(21) Appl. No.: **29/647,857**

*Primary Examiner* — Mark A Goodwin

(74) *Attorney, Agent, or Firm* — The Belles Group, P.C.

(22) Filed: **May 16, 2018**

(57) **CLAIM**

The ornamental design for an air intake cover of an engine, as shown and described.

**Related U.S. Application Data**

**DESCRIPTION**

(63) Continuation-in-part of application No. 29/640,404, filed on Mar. 14, 2018.

(51) **LOC (13) Cl.** ..... **15-01**

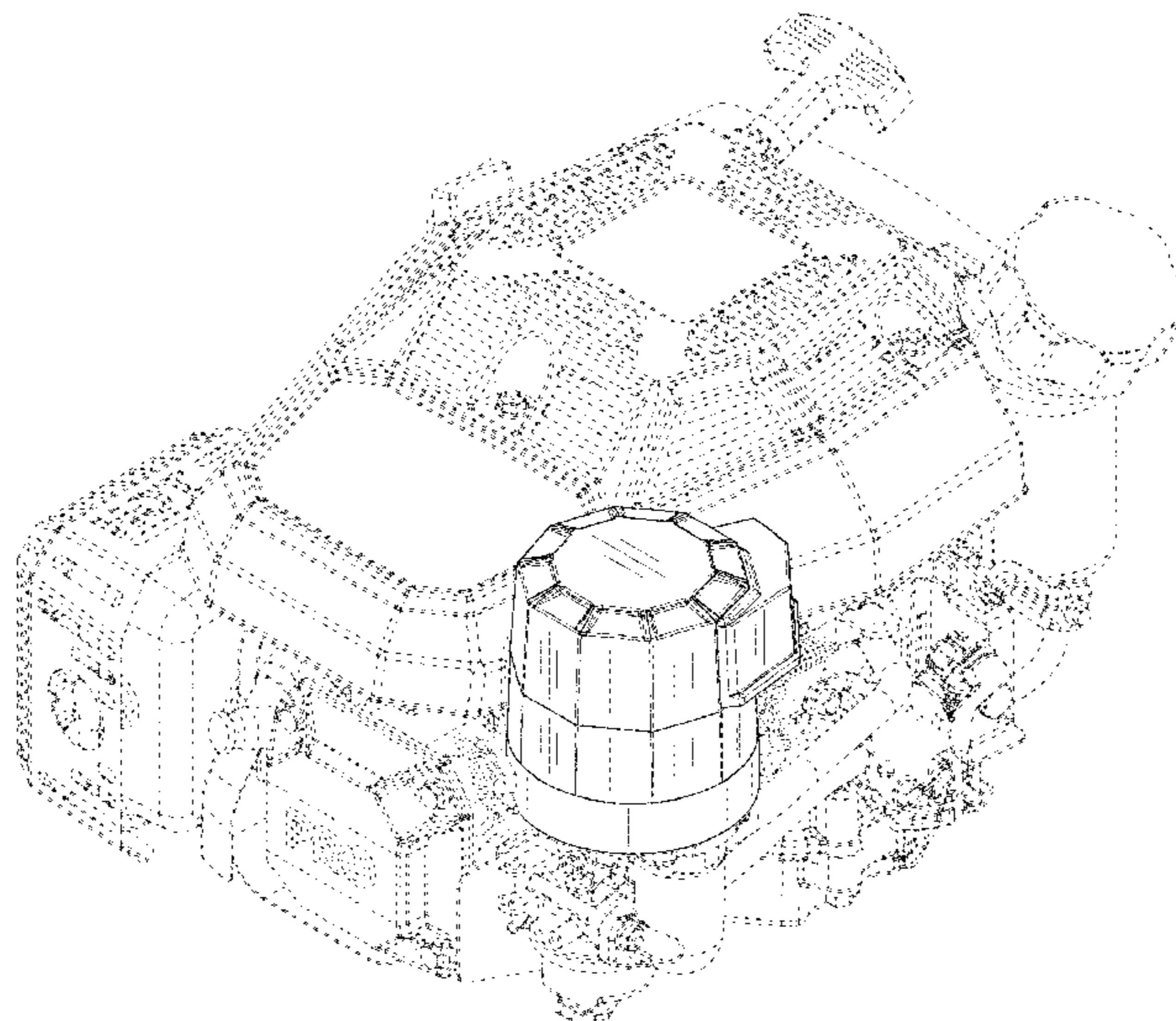
(52) **U.S. Cl.**  
USPC ..... **D15/5**

(58) **Field of Classification Search**  
USPC ..... D15/1-6, 14, 9.1, 12, 17, 28, 149;  
123/22.41, 34, 51 A, 606 R, 52.1, 50 A,  
123/50 B, 54.1, 54.2, 54.4, 54.5, 65 R,  
123/195 R, 195 HC, 657, 311  
CPC ..... F02B 2075/027; F02B 2075/1816; F02B  
2075/025; F02B 2075/1808; F02B 75/20;  
F02B 75/22; F02B 2275/18; F02B  
2275/20; F02B 77/13; F02B 77/00; F02B  
63/04

FIG. 1 is a front-right top perspective view of an air intake cover of an engine showing the new design;  
FIG. 2 is a front-left top perspective view thereof;  
FIG. 3 is a rear-left top perspective view thereof;  
FIG. 4 is a rear-right top perspective view thereof;  
FIG. 5 is a front-right bottom perspective view thereof;  
FIG. 6 is a front-left bottom perspective view thereof;  
FIG. 7 is a rear-left bottom perspective view thereof;  
FIG. 8 is a rear-right bottom perspective view thereof;  
FIG. 9 is a front plan view thereof;  
FIG. 10 is a rear plan view thereof;  
FIG. 11 is a right-side plan view thereof;  
FIG. 12 is a left-side plan view thereof;  
FIG. 13 is a top plan view thereof; and,  
FIG. 14 is a bottom plan view thereof.  
The broken lines illustrate portion of the air intake cover of an engine that form no part of the claimed design.

See application file for complete search history.

**1 Claim, 14 Drawing Sheets**



(56)

**References Cited**

U.S. PATENT DOCUMENTS

D721,423	S *	1/2015	Jacques	.....	D23/260
D733,186	S *	6/2015	Bink	.....	D15/5
D733,187	S *	6/2015	Bink	.....	D15/5
D733,762	S *	7/2015	Bink	.....	D15/1
D735,762	S *	8/2015	Andren	.....	D15/5
D735,763	S *	8/2015	Andren	.....	D15/5
D735,764	S *	8/2015	Andren	.....	D15/5
D735,765	S *	8/2015	Andren	.....	D15/5
D735,767	S *	8/2015	Andren	.....	D15/5
D735,768	S *	8/2015	Andren	.....	D15/5
D736,264	S *	8/2015	Andren	.....	D15/5
D742,922	S *	11/2015	Andren	.....	D15/5
D742,923	S *	11/2015	Andren	.....	D15/5
D742,924	S *	11/2015	Andren	.....	D15/5
D784,413	S *	4/2017	Thorn	.....	D15/5
D787,558	S *	5/2017	Thorn	.....	D15/5
D795,298	S *	8/2017	Hanna	.....	D15/5
2006/0124644	A1 *	6/2006	Dehn	.....	B60K 15/0406 220/259.3
2010/0089919	A1 *	4/2010	Dunkle	.....	B60K 15/0406 220/203.01

\* cited by examiner

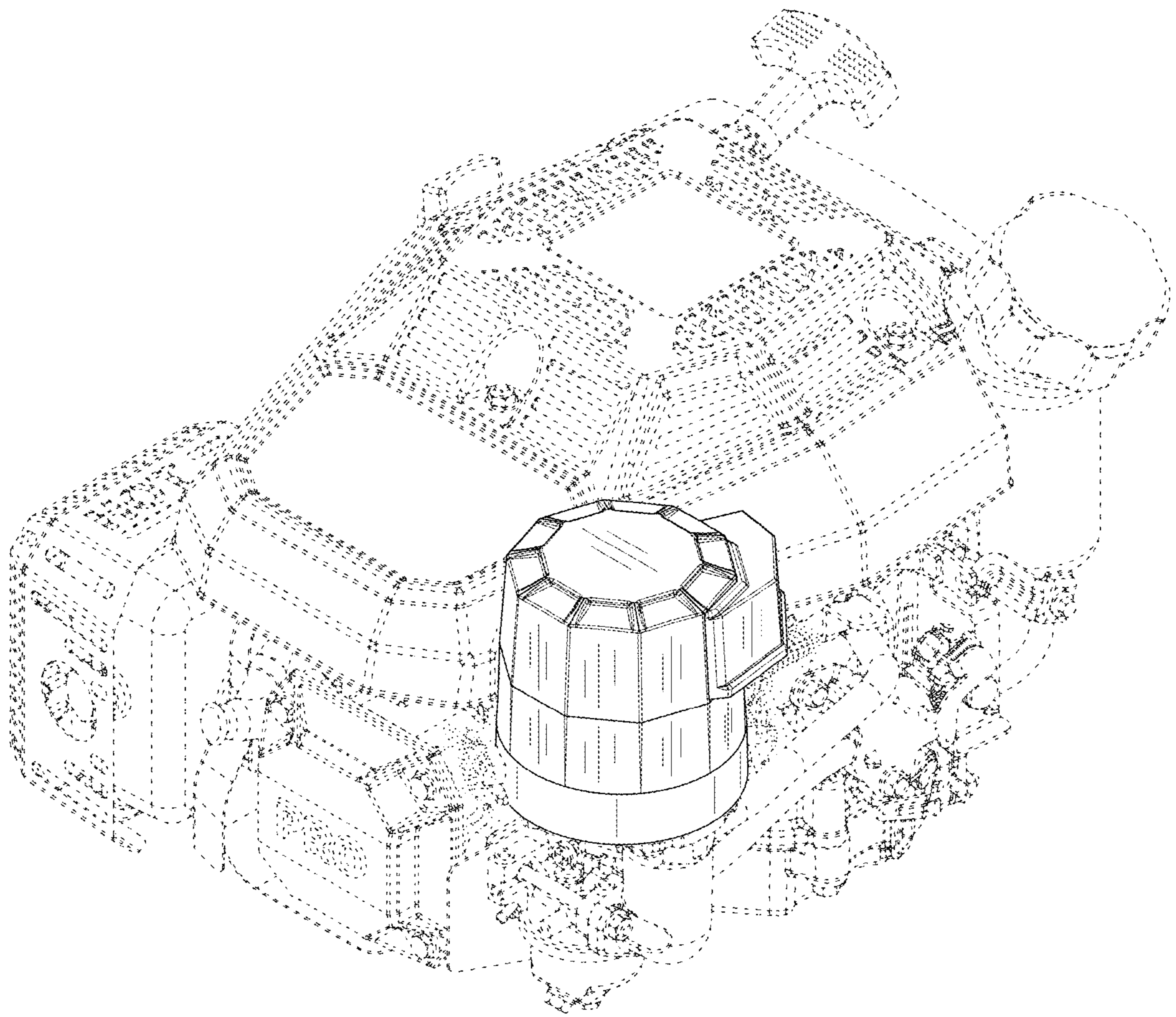


FIG. 1

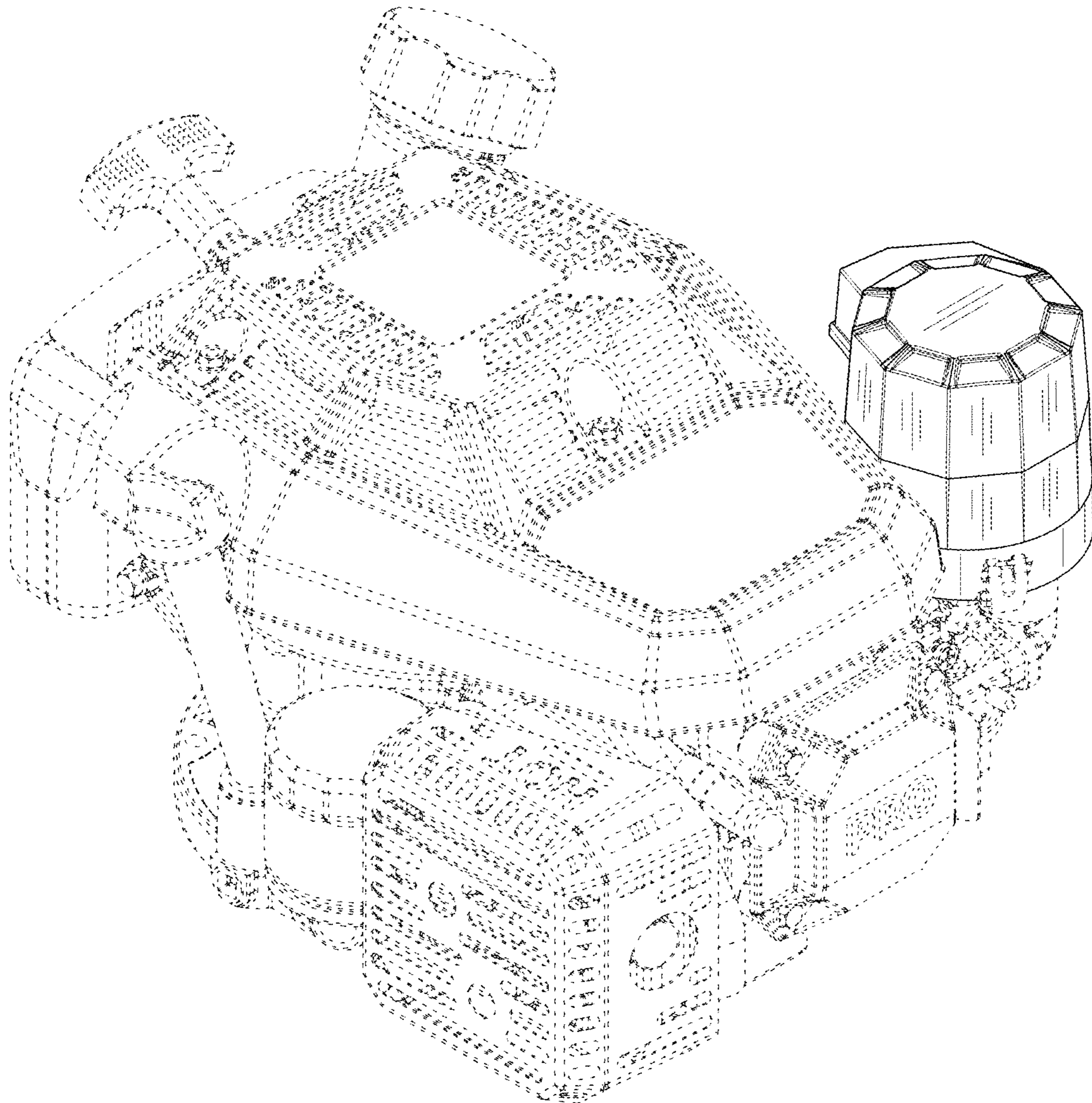


FIG. 2

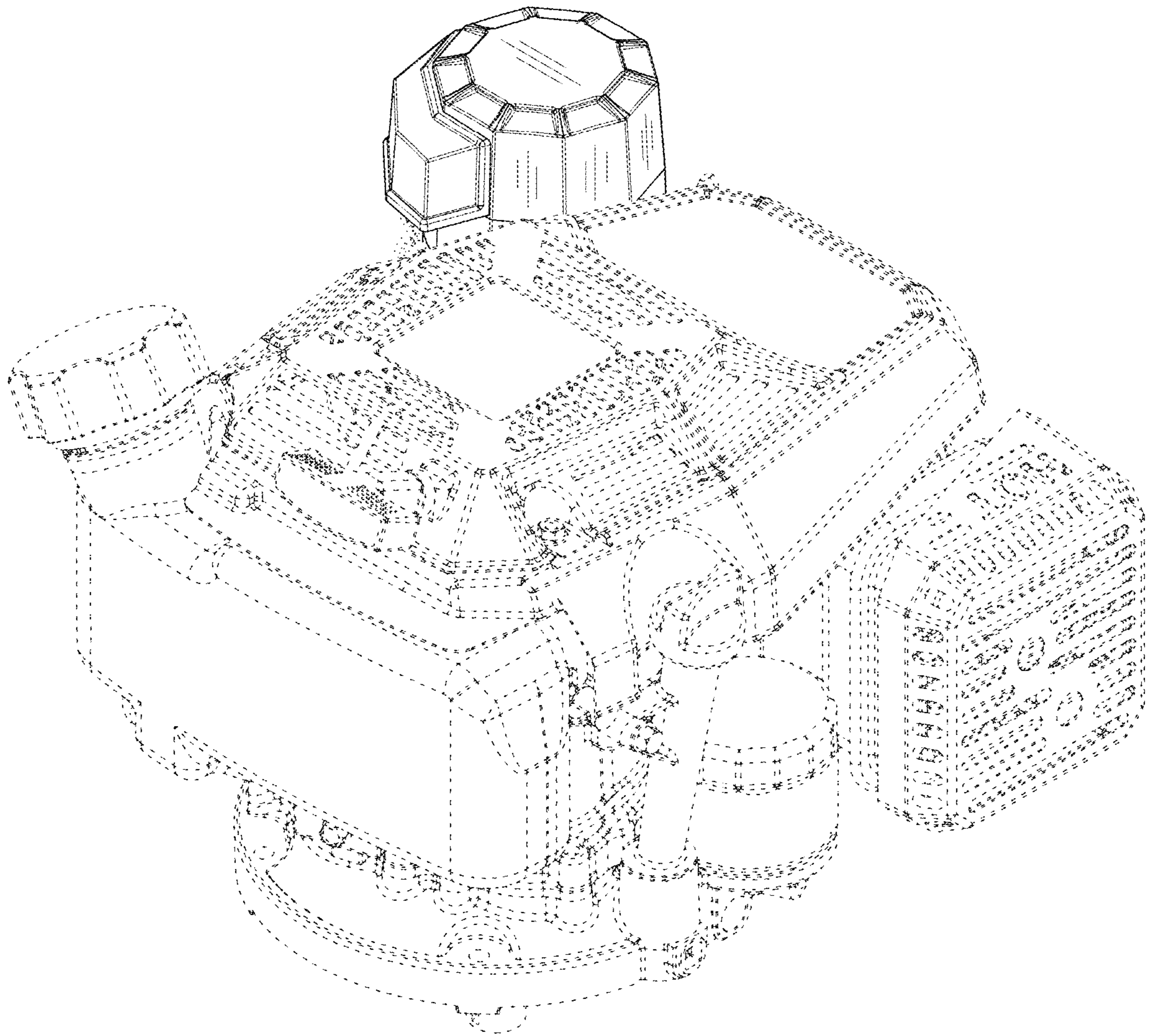


FIG. 3

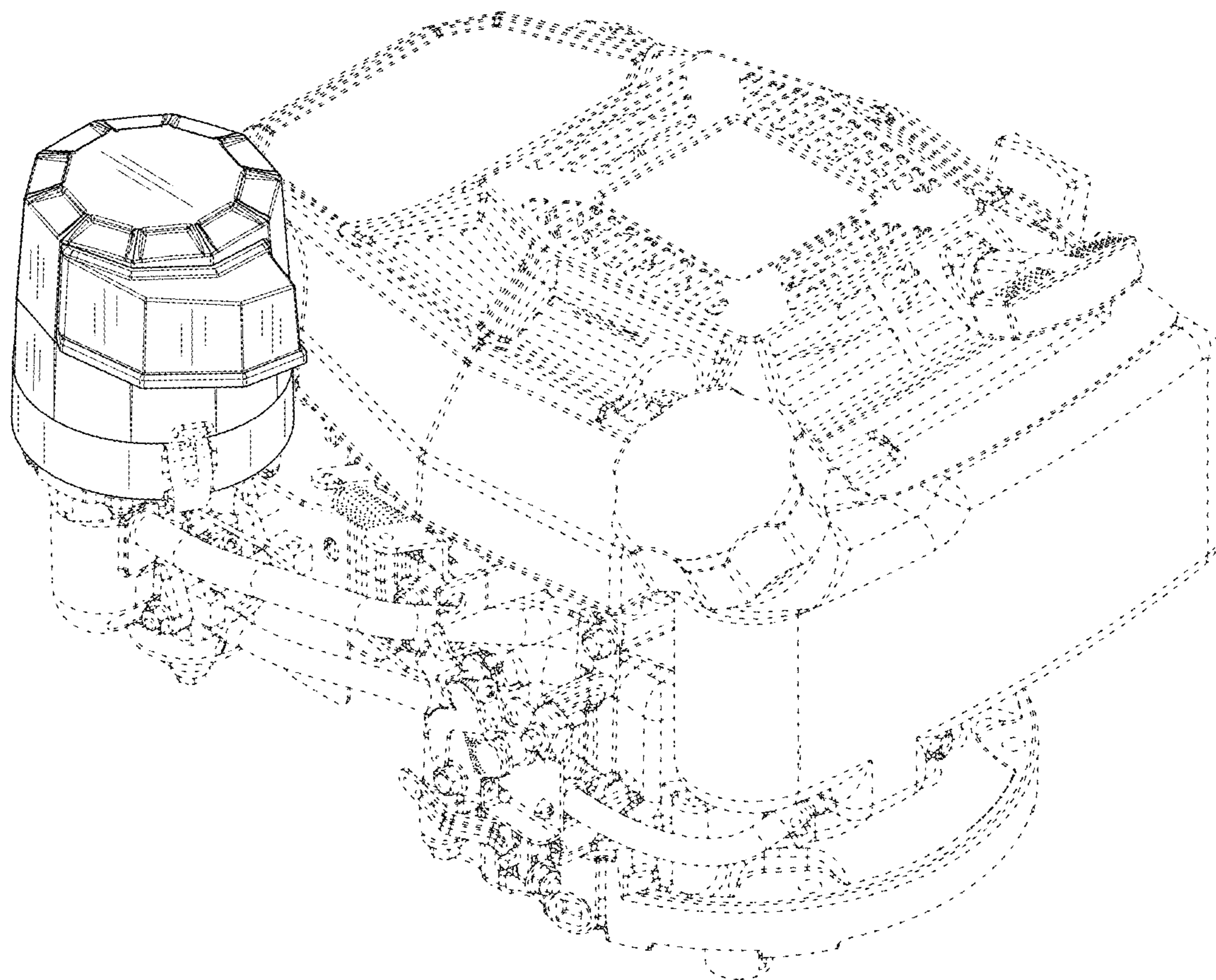


FIG. 4

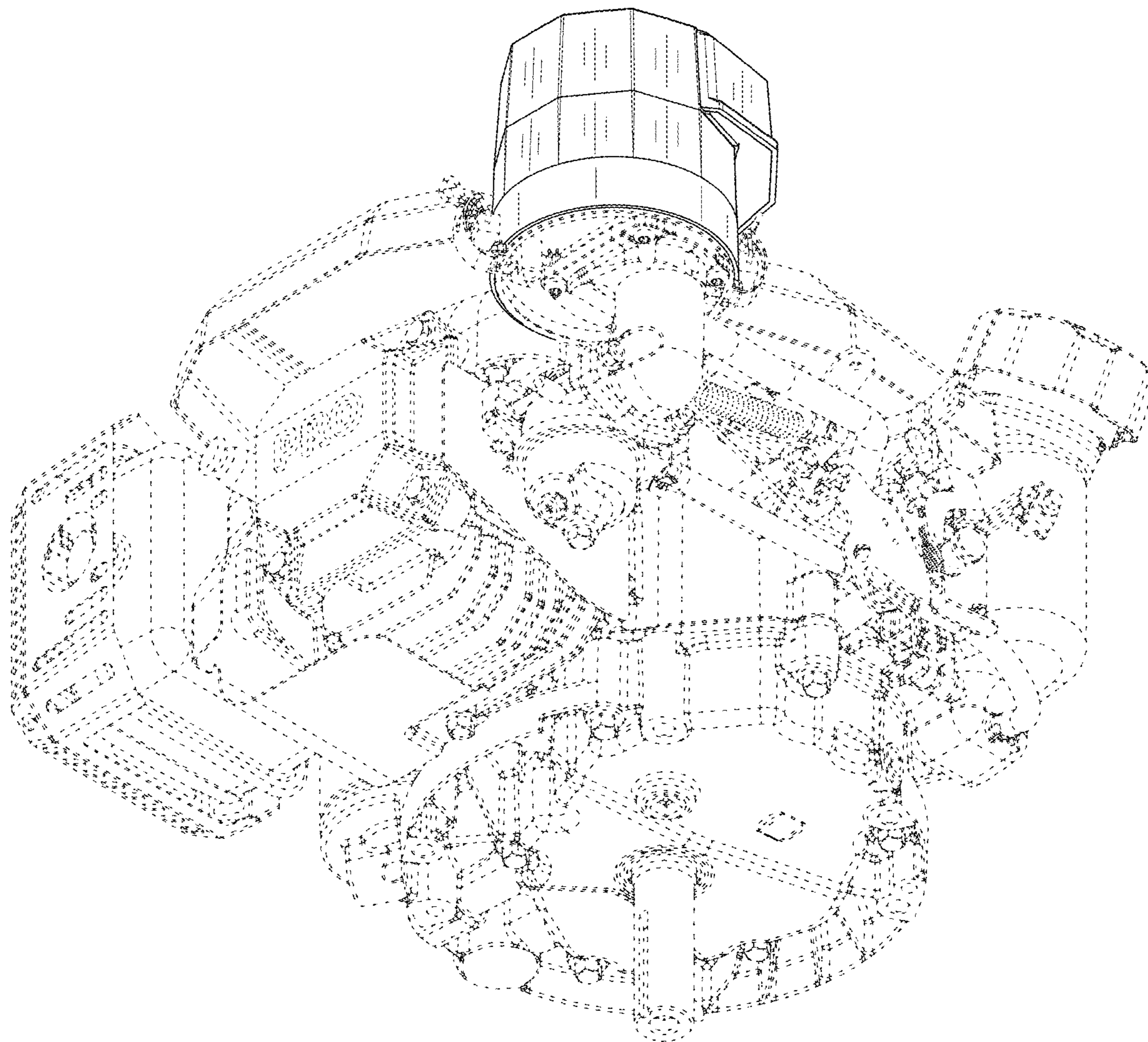


FIG. 5

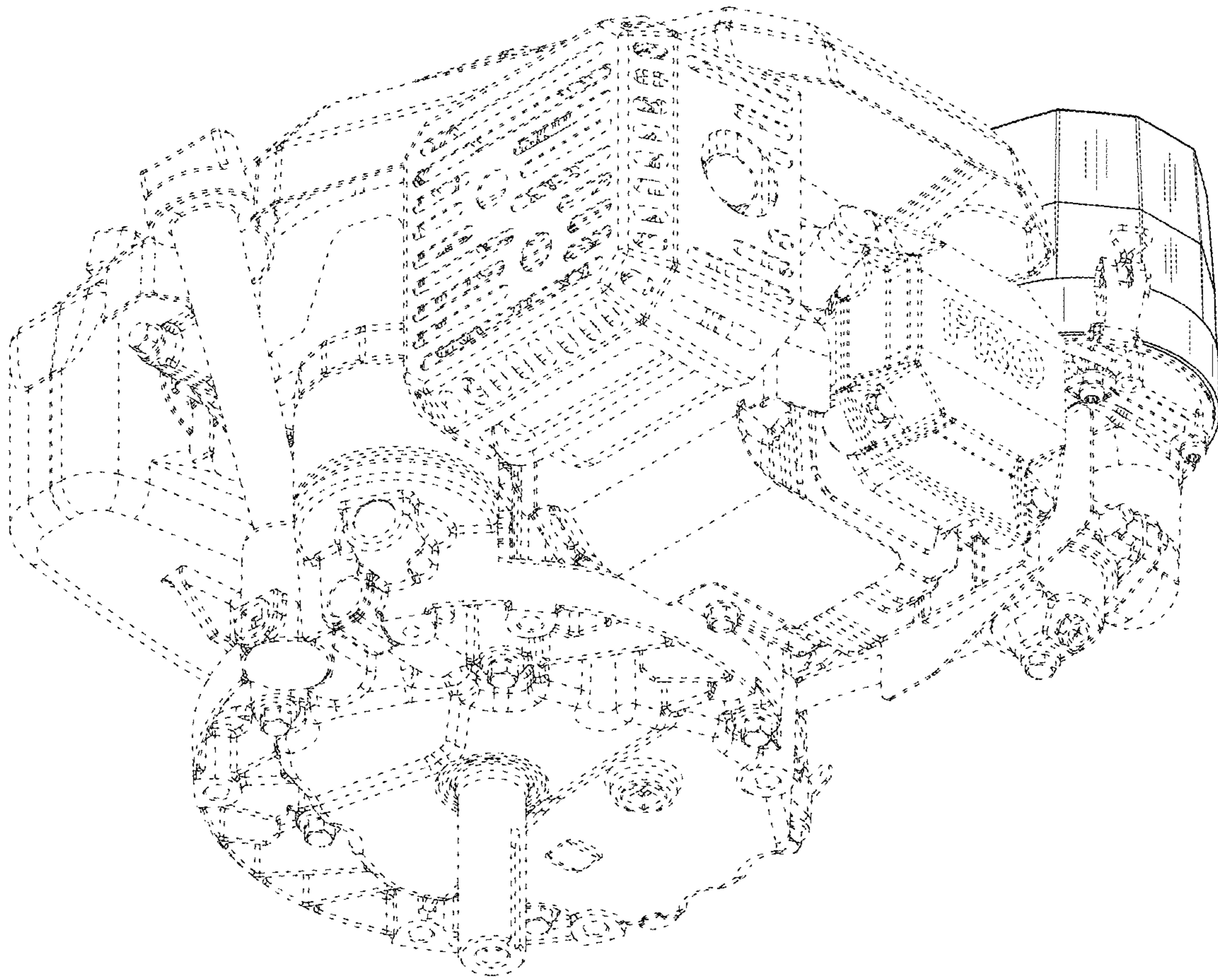


FIG. 6



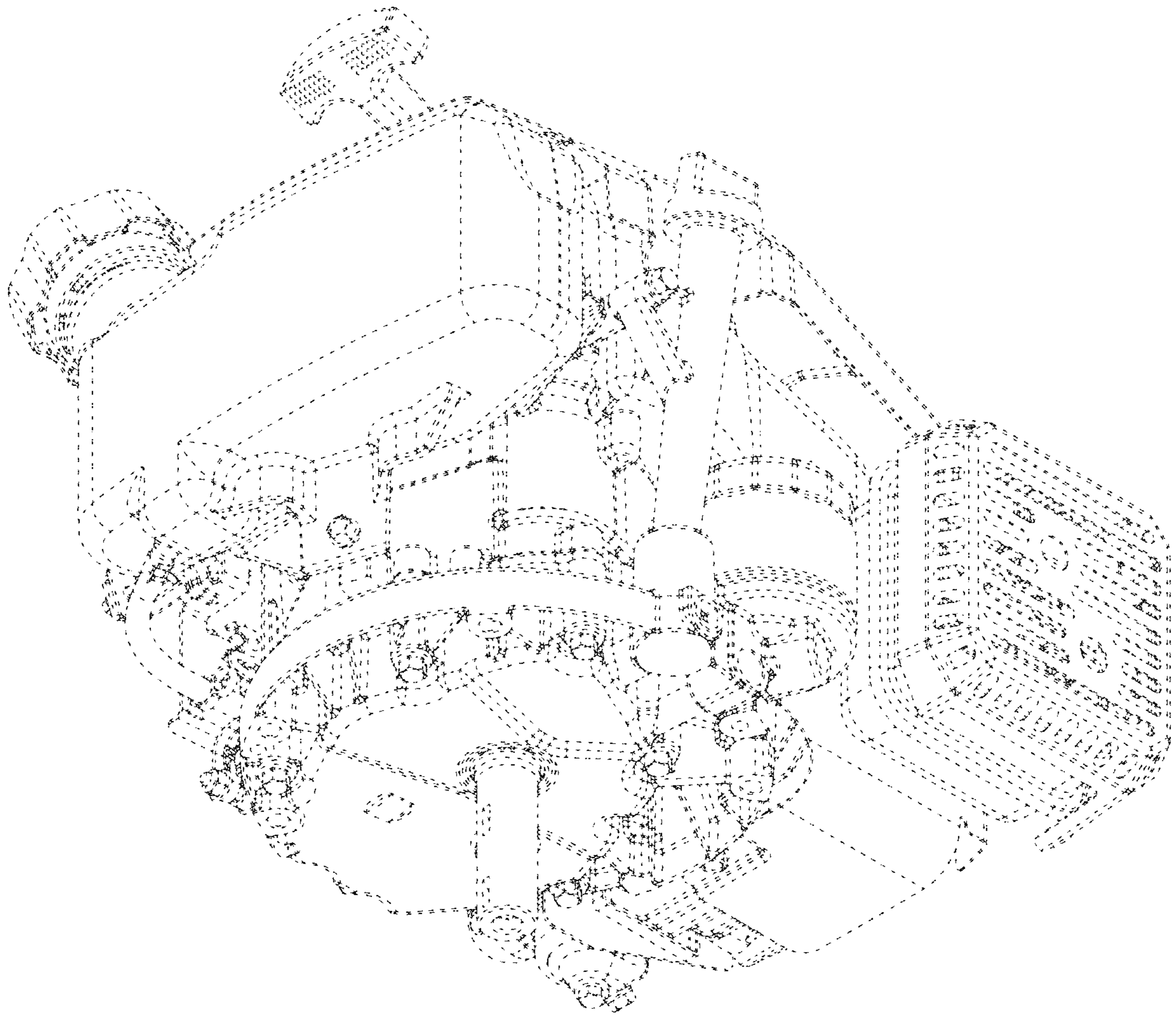


FIG. 7

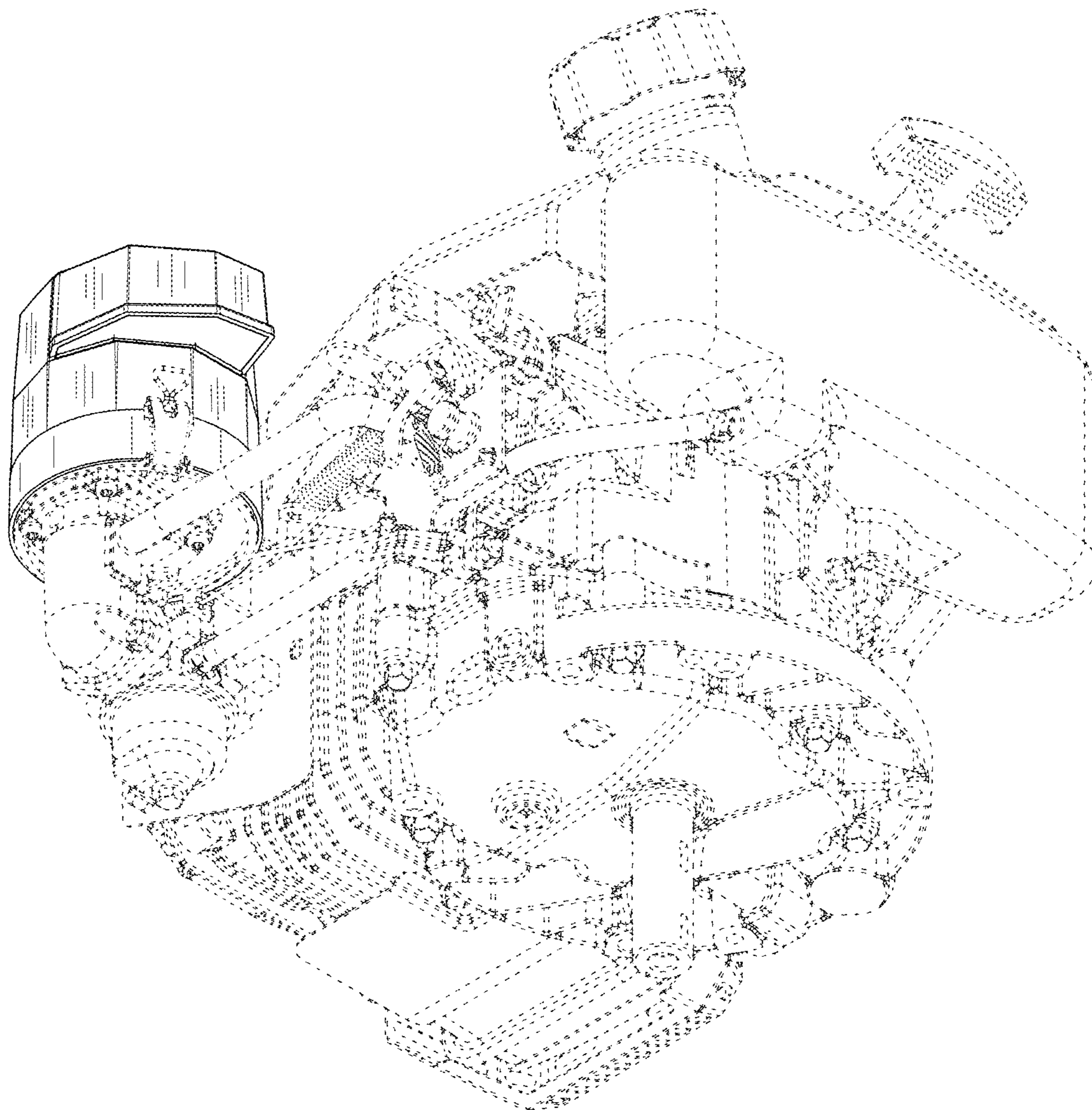


FIG. 8

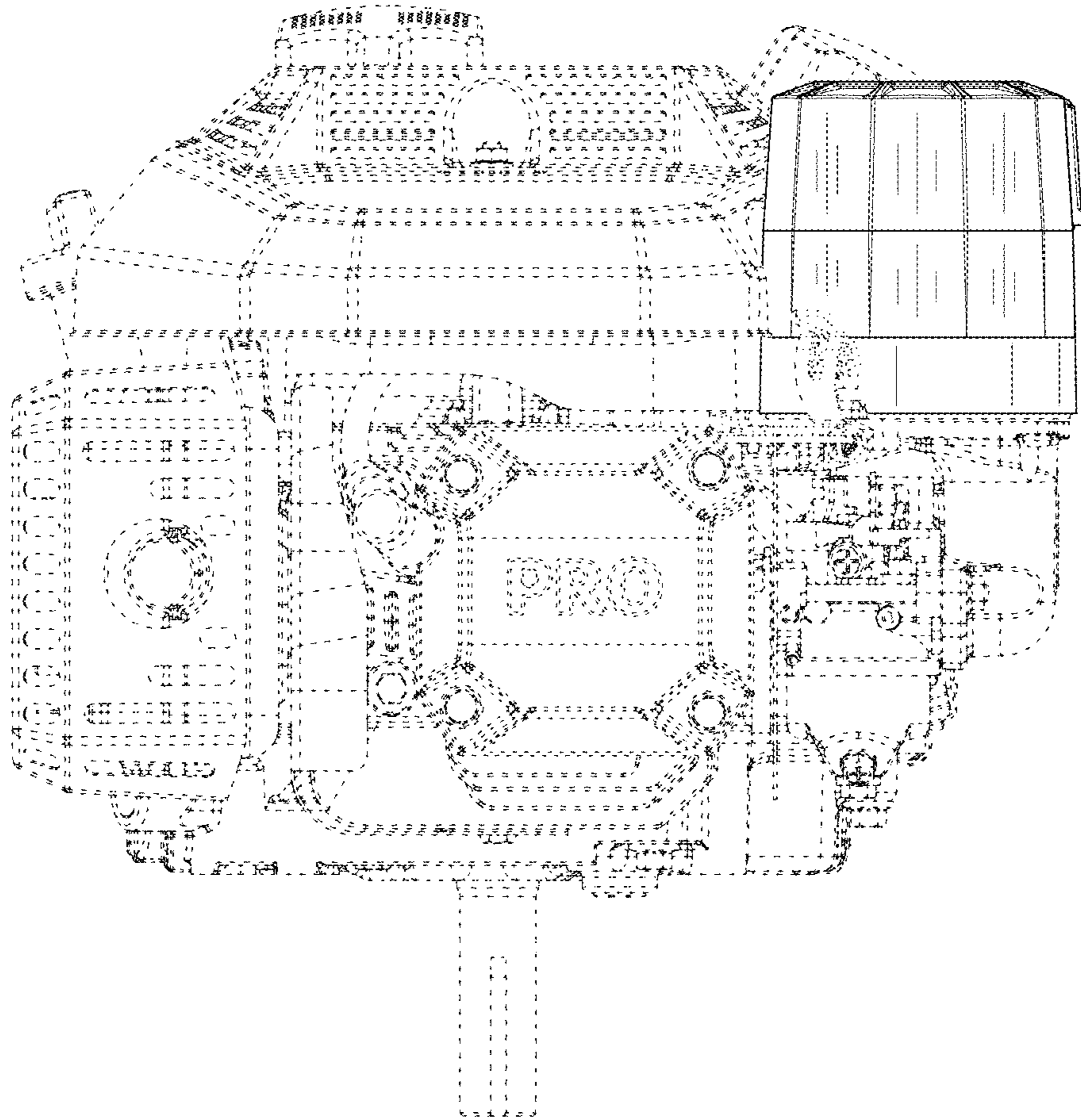


FIG. 9

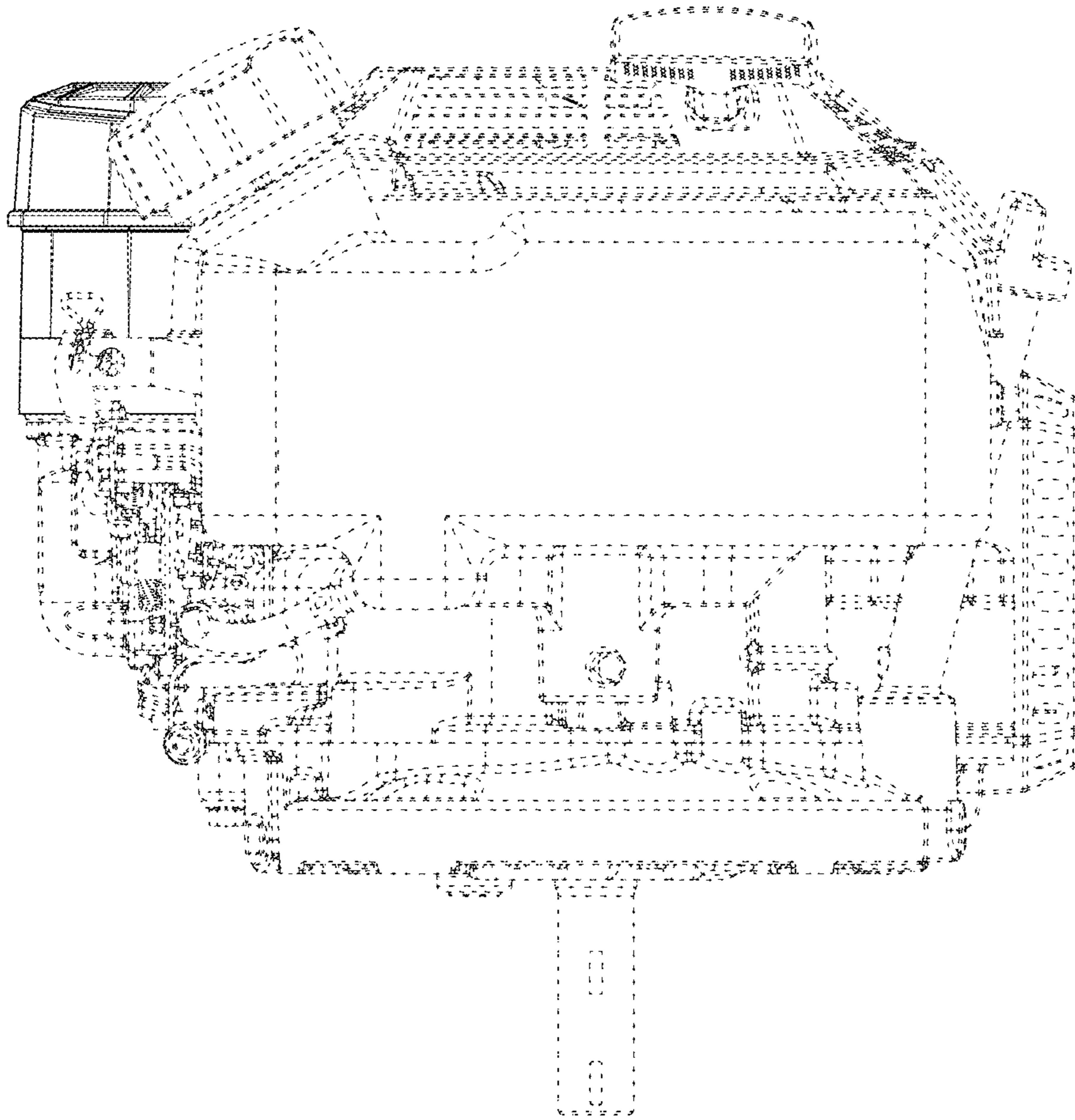


FIG. 10

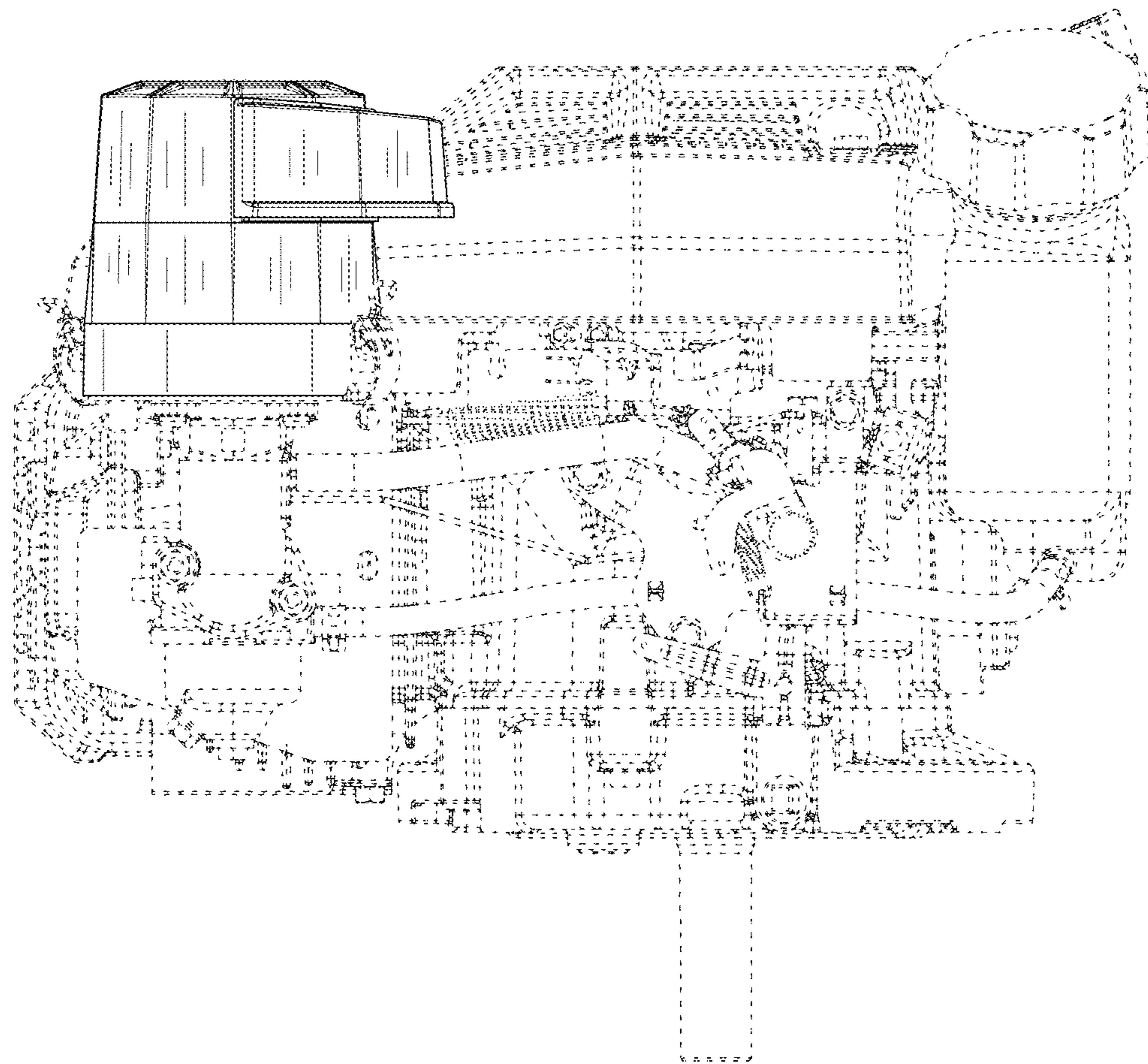


FIG. 11

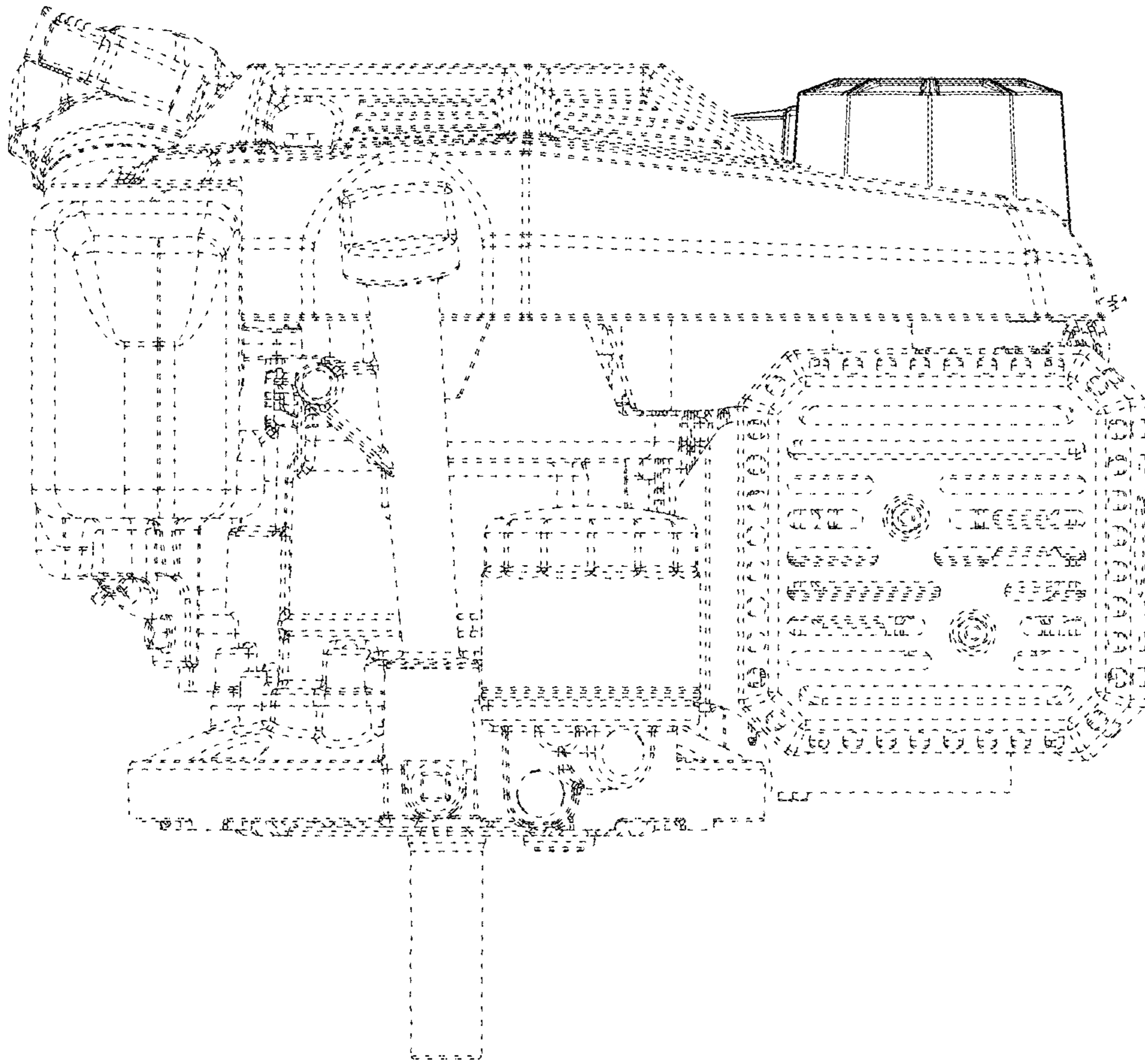


FIG. 12

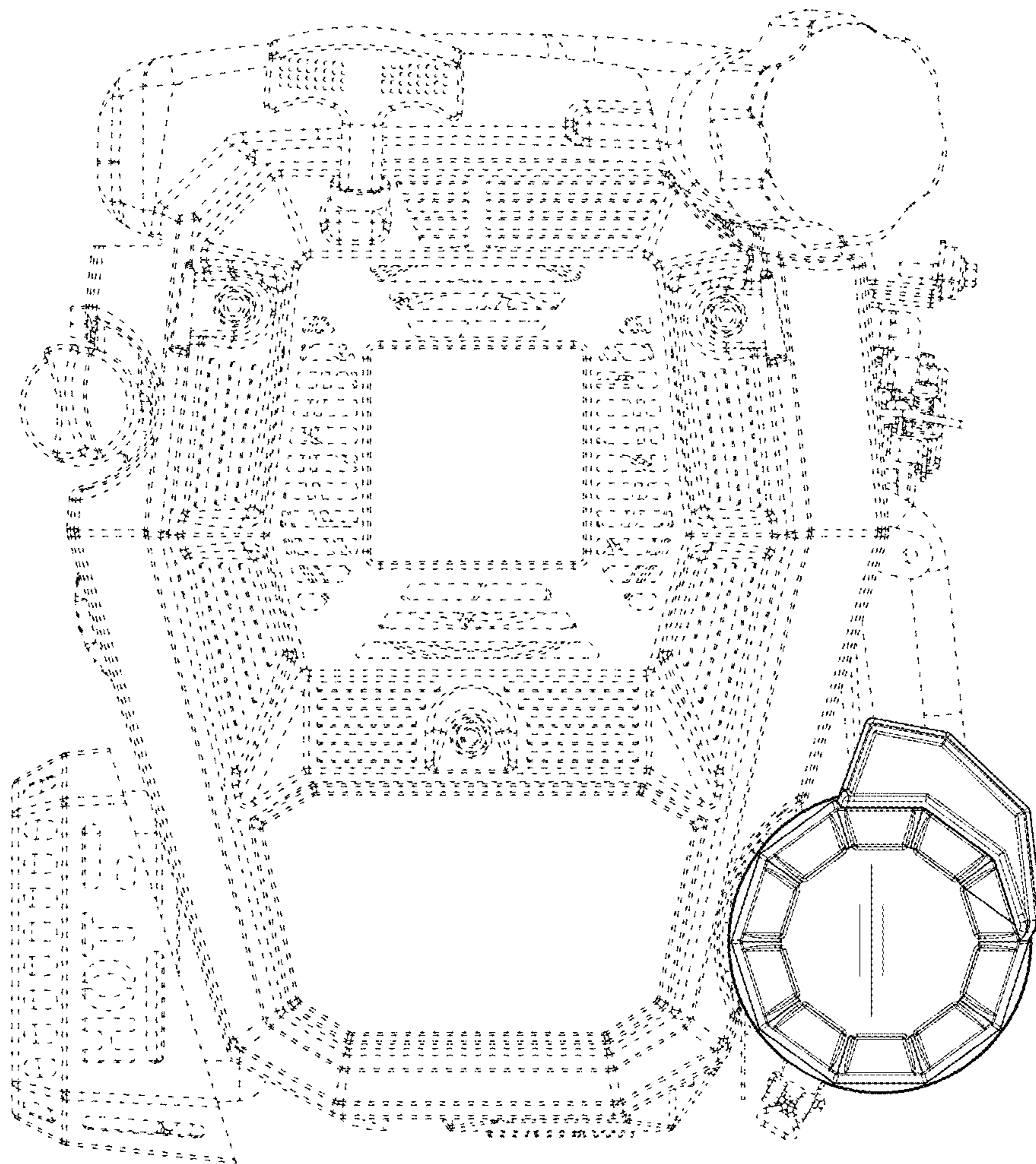


FIG. 13

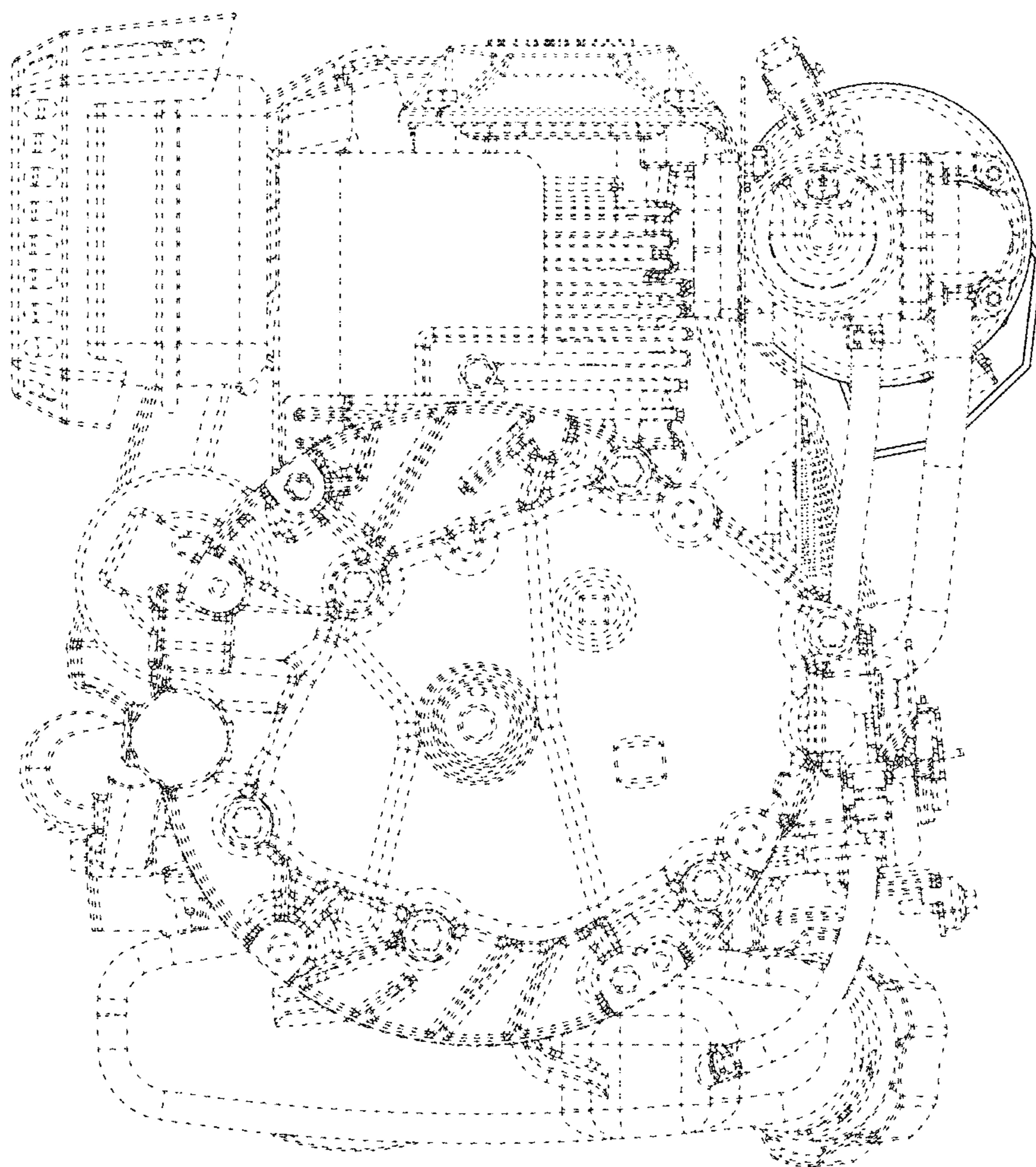


FIG. 14