



US00D912094S

(12) **United States Design Patent** (10) **Patent No.:** **US D912,094 S**
Wegner et al. (45) **Date of Patent:** **** Mar. 2, 2021**

(54) **BLOWER HOUSING FOR AN ENGINE**

D594,878 S * 6/2009 Post D15/5
7,594,484 B2 * 9/2009 Lavender F01P 5/06
123/198 E
D615,557 S * 5/2010 Mayer D15/5
D655,310 S * 3/2012 Tiefenthaler D15/5
D665,426 S * 8/2012 Tiefenthaler D15/5
D667,464 S * 9/2012 Tiefenthaler D15/5
D687,709 S * 8/2013 Taylor D9/453
8,746,485 B1 * 6/2014 Tiefenthaler B60K 15/0406
220/288
D721,423 S * 1/2015 Jacques D23/260
D733,186 S * 6/2015 Bink D15/5
D733,187 S * 6/2015 Bink D15/5
D733,762 S * 7/2015 Bink D15/1
D735,762 S * 8/2015 Andren D15/5
D735,763 S * 8/2015 Andren D15/5
D735,764 S * 8/2015 Andren D15/5

(71) Applicant: **Kohler Co.**, Kohler, WI (US)

(72) Inventors: **Brett Wegner**, Glenbeulah, WI (US);
Eric B. Hudak, Sheboygan, WI (US);
Kenneth S. Hanna, Bellingham, WA
(US); **Mark J. Huibregtse**, Elkhart
Lake, WI (US); **David Schultz**,
Manitowoc, WI (US); **Adam Reich**,
Whitelaw, WI (US); **Vaibhav**
Prabhakar Wagh, Maharashtra (IN)

(73) Assignee: **KOHLER CO.**, Kohler, WI (US)

(**) Term: **15 Years**

(21) Appl. No.: **29/640,404**

(22) Filed: **Mar. 14, 2018**

(51) **LOC (13) Cl.** **15-01**

(52) **U.S. Cl.**
USPC **D15/5**

(58) **Field of Classification Search**
USPC D15/1-6, 14, 9.1, 12, 17, 28, 149;
123/22.41, 34, 51 A, 606 R, 52.1, 50 A,
123/50 B, 54.1, 54.2, 54.4, 54.5, 65 R,
123/195 R, 195 HC, 657, 311
CPC F02B 2075/027; F02B 2075/1816; F02B
2075/025; F02B 2075/1808; F02B 75/20;
F02B 75/22; F02B 2275/18; F02B
2275/20; F02B 77/13; F02B 77/00; F02B
63/04

See application file for complete search history.

(56) **References Cited**

U.S. PATENT DOCUMENTS

D379,995 S * 6/1997 Gilmore D15/1
D396,045 S * 7/1998 Neeley D15/1
D487,700 S * 3/2004 Bourque D9/453
D527,022 S * 8/2006 Walters D15/5

(Continued)

Primary Examiner — Mark A Goodwin

(74) *Attorney, Agent, or Firm* — The Belles Group, P.C.

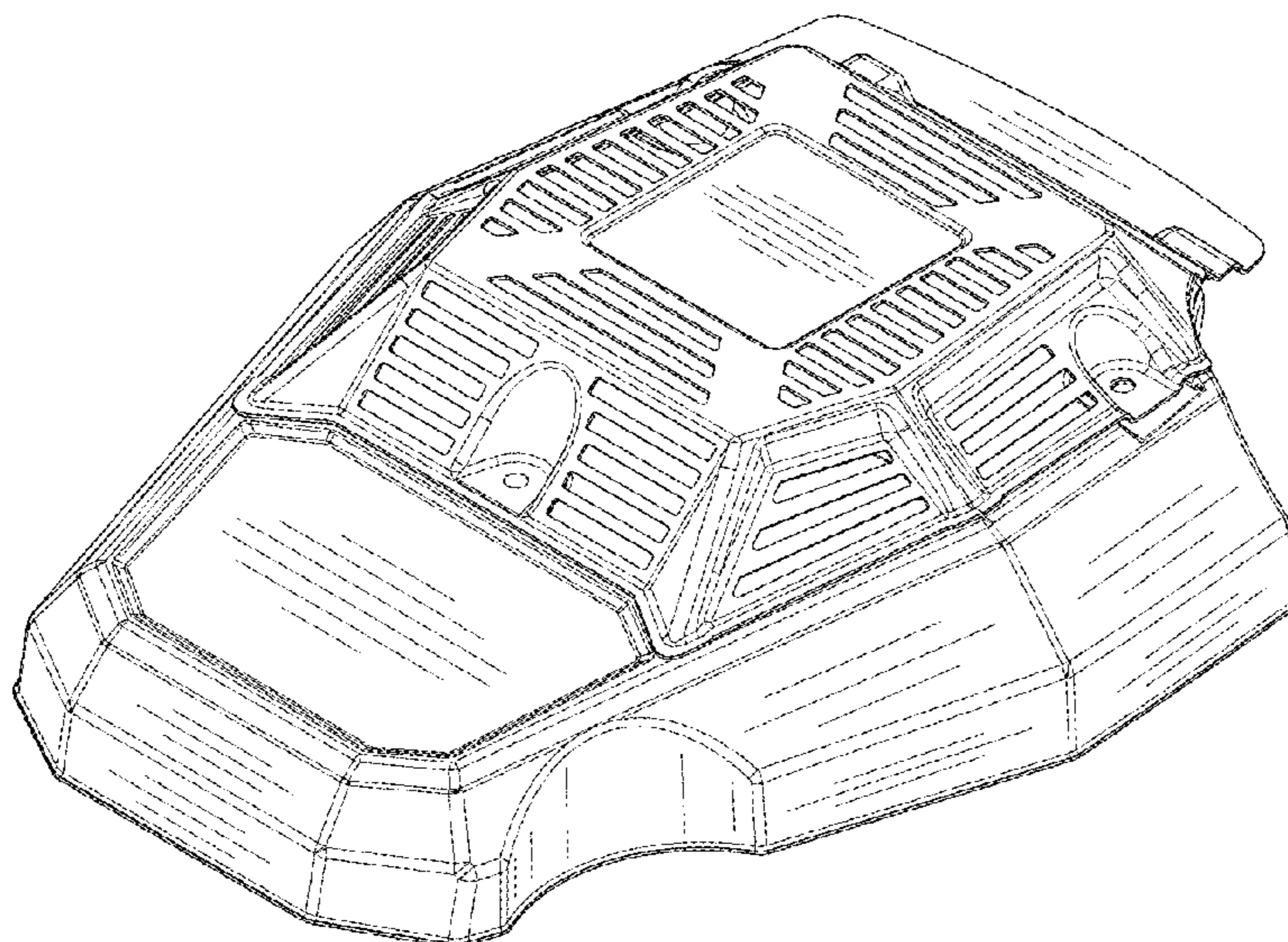
(57) **CLAIM**

The ornamental design for a blower housing for an engine,
as shown and described.

DESCRIPTION

FIG. 1 is a front-right top perspective view of a blower housing for an engine showing the new design;
FIG. 2 is a front-left top perspective view thereof;
FIG. 3 is a rear-left top perspective view thereof;
FIG. 4 is a rear-right top perspective view thereof;
FIG. 5 is a front-right bottom perspective view thereof;
FIG. 6 is a front-left bottom perspective view thereof;
FIG. 7 is a rear-left bottom perspective view thereof;
FIG. 8 is a rear-right bottom perspective view thereof;
FIG. 9 is a front plan view thereof;
FIG. 10 is a rear plan view thereof;
FIG. 11 is a right-side plan view thereof;
FIG. 12 is a left-side plan view thereof;
FIG. 13 is a top plan view thereof; and,
FIG. 14 is a bottom plan view thereof.

1 Claim, 14 Drawing Sheets



(56)

References Cited

U.S. PATENT DOCUMENTS

D735,765	S *	8/2015	Andren	D15/5
D735,767	S *	8/2015	Andren	D15/5
D735,768	S *	8/2015	Andren	D15/5
D736,264	S *	8/2015	Andren	D15/5
D742,922	S *	11/2015	Andren	D15/5
D742,923	S *	11/2015	Andren	D15/5
D742,924	S *	11/2015	Andren	D15/5
D784,413	S *	4/2017	Thorn	D15/5
D787,558	S *	5/2017	Thorn	D15/5
D795,298	S *	8/2017	Hanna	D15/5
2006/0124644	A1 *	6/2006	Dehn	B60K 15/0406 220/259.3
2010/0089919	A1 *	4/2010	Dunkle	B60K 15/0406 220/203.01

* cited by examiner

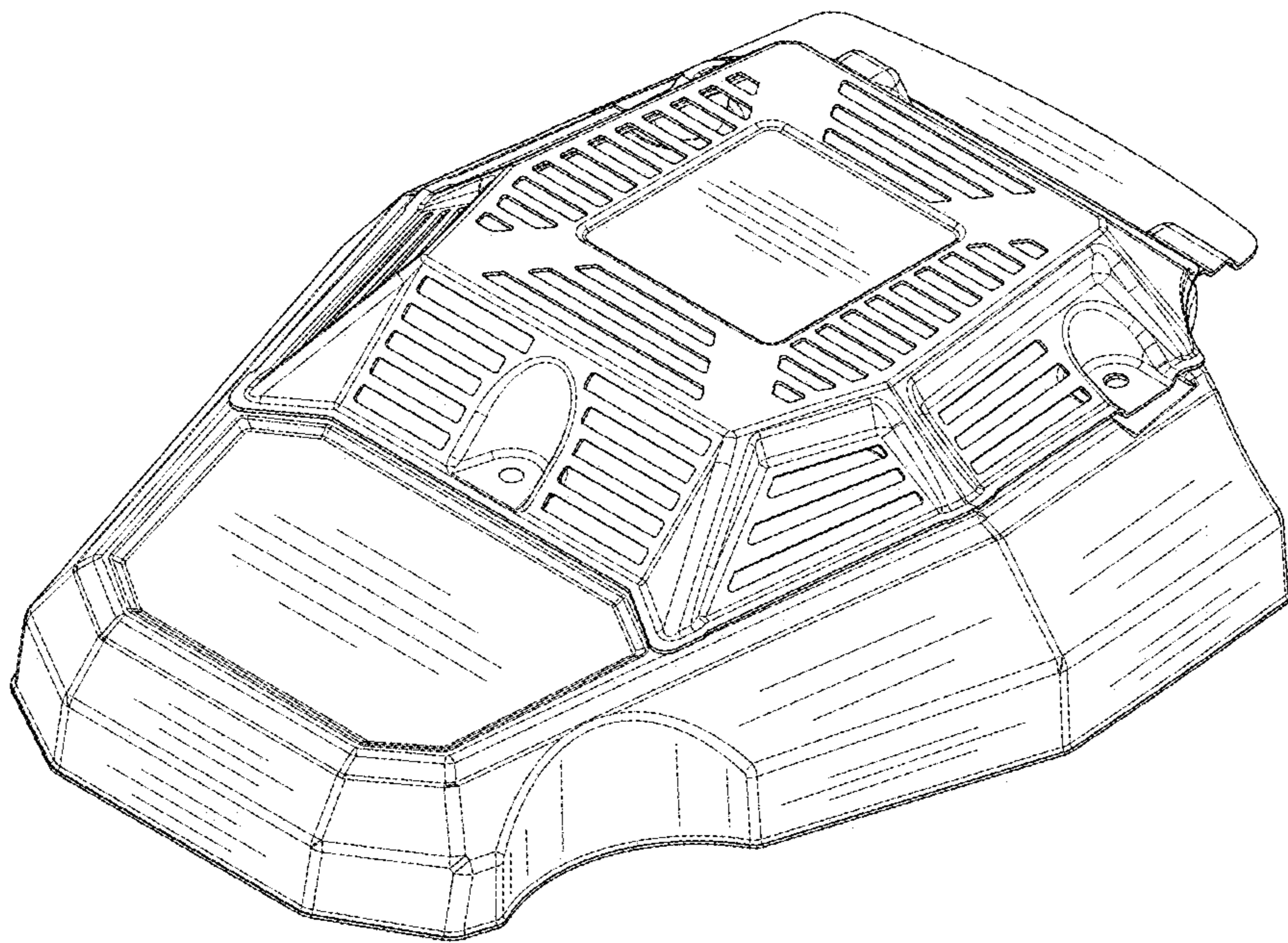


FIG. 1

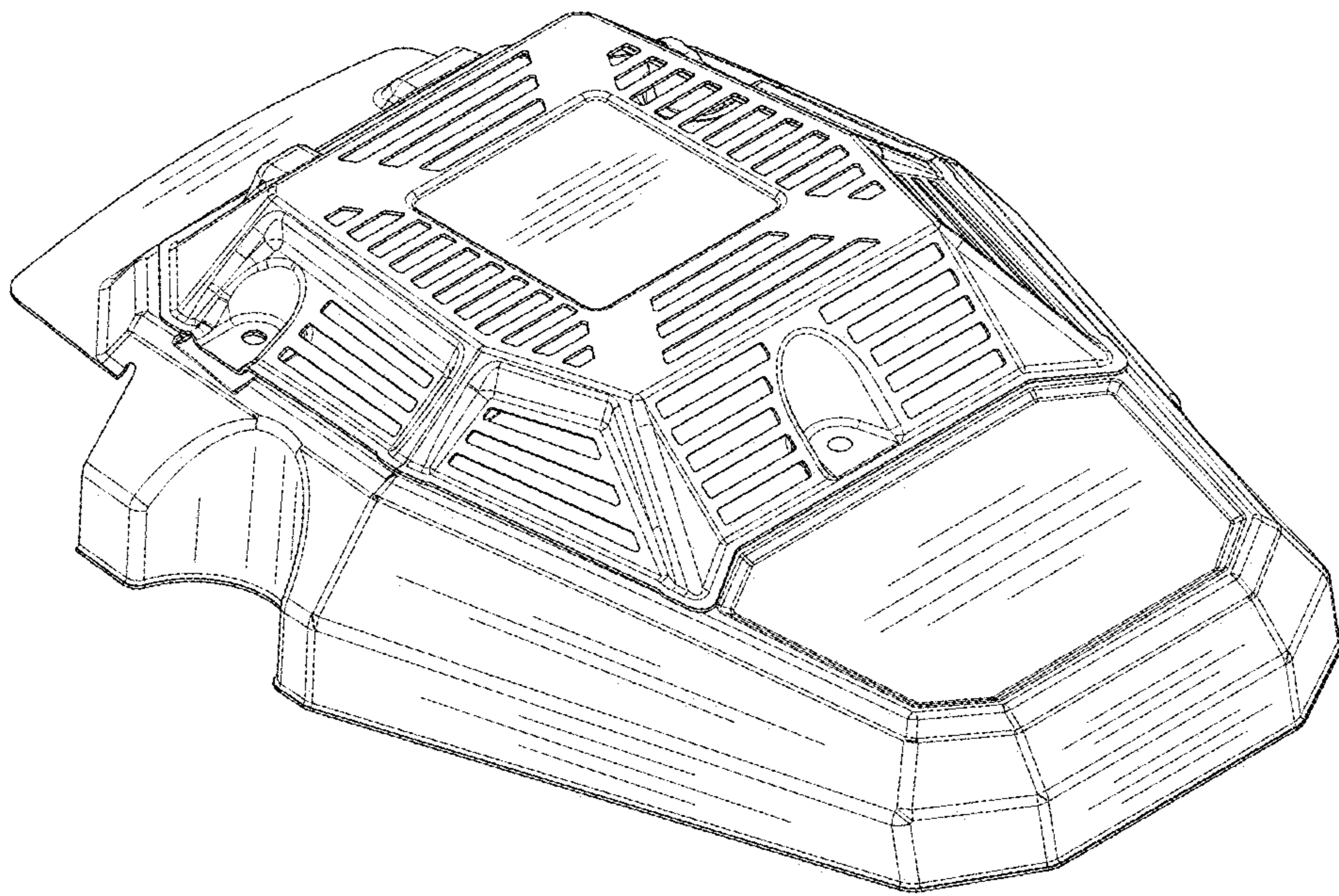


FIG. 2

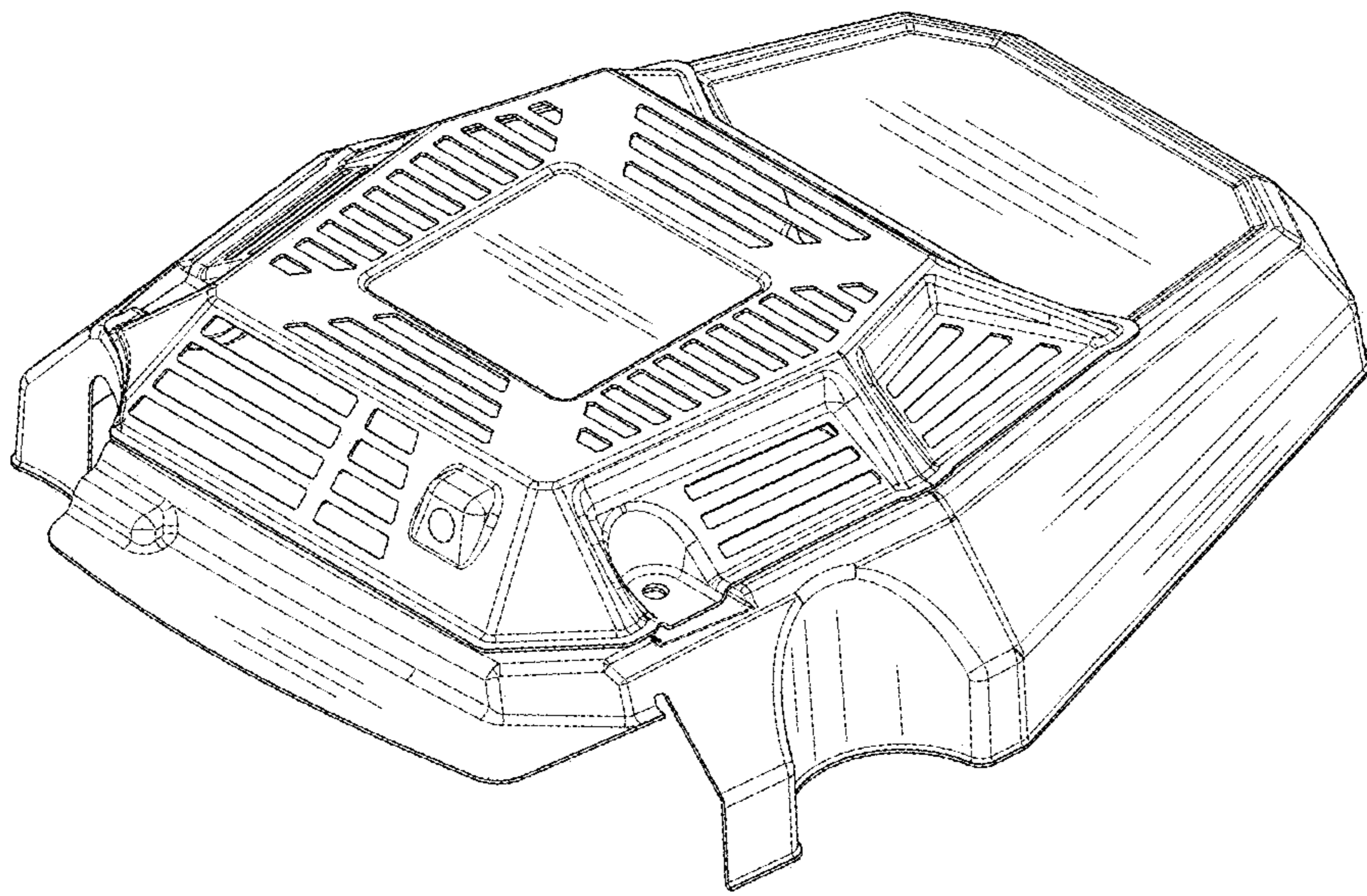


FIG. 3

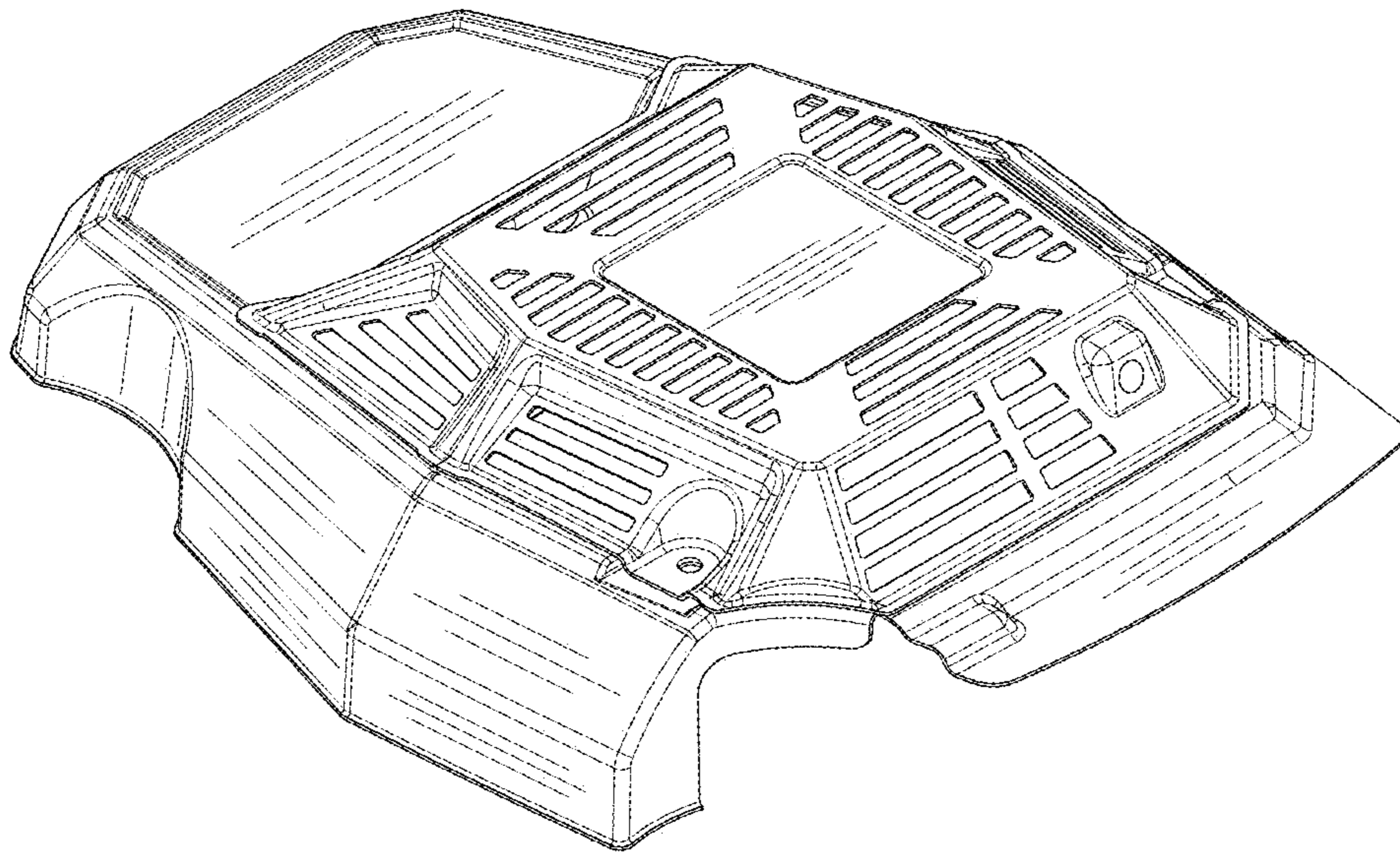


FIG. 4

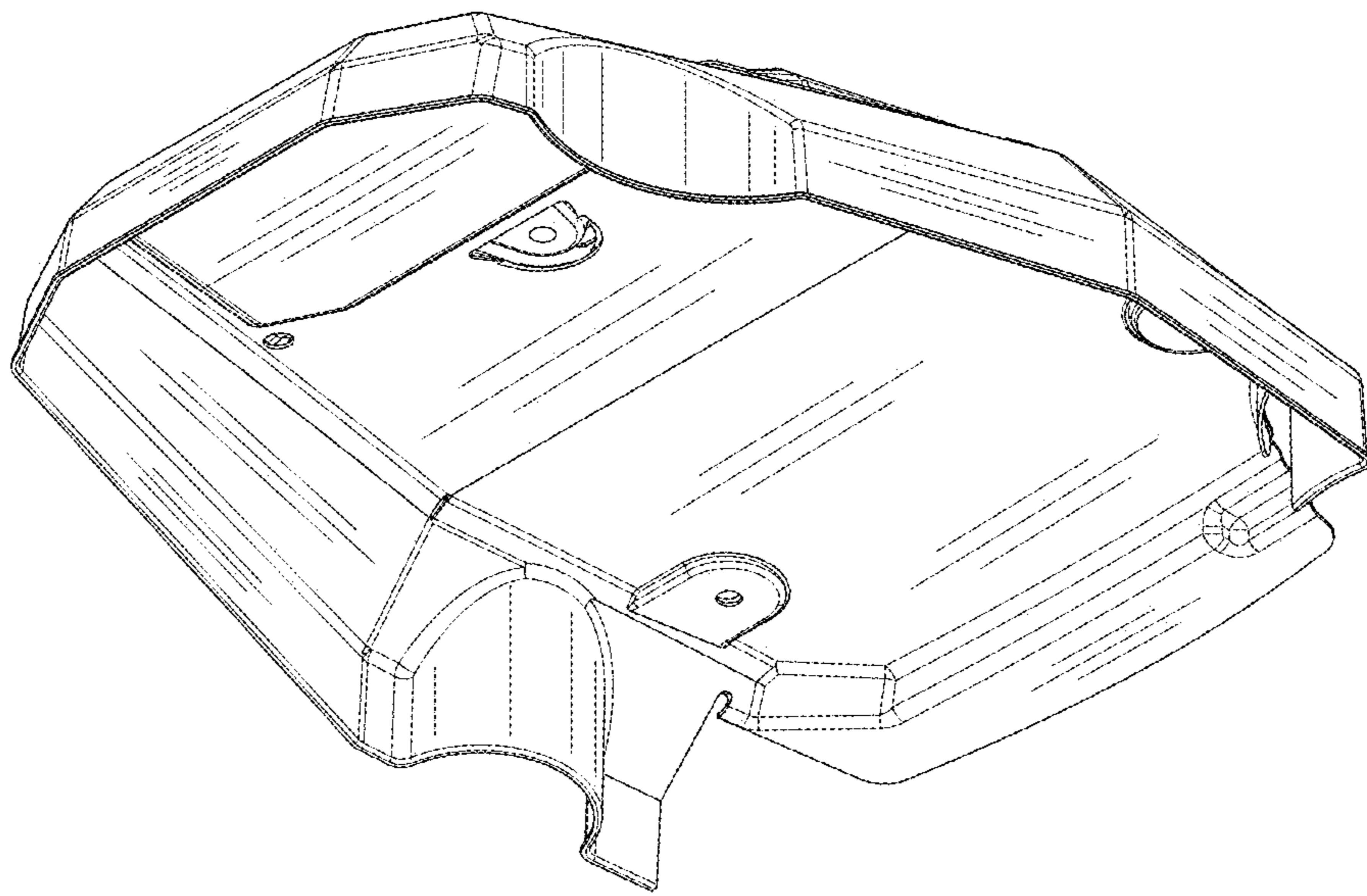


FIG. 5

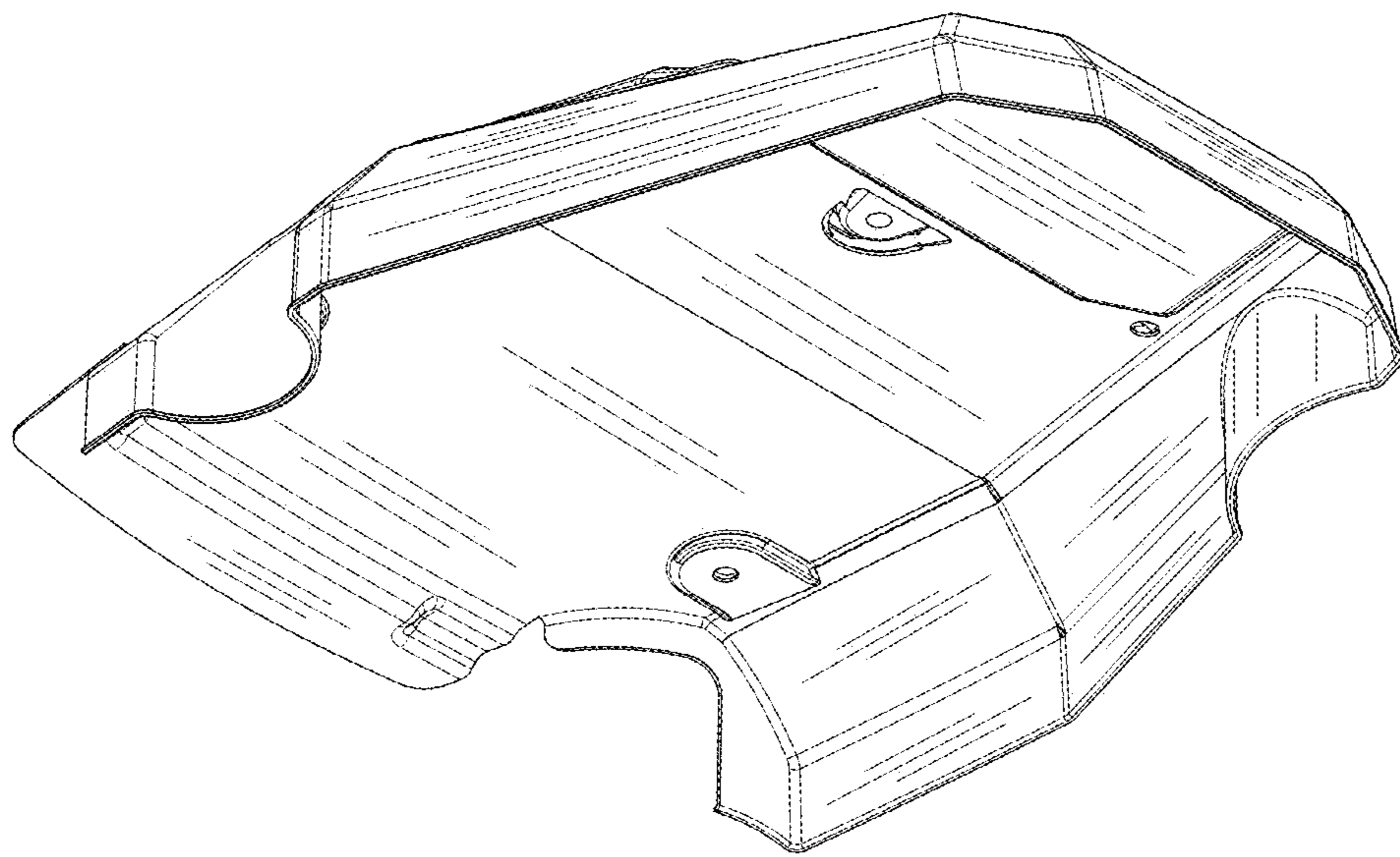


FIG. 6

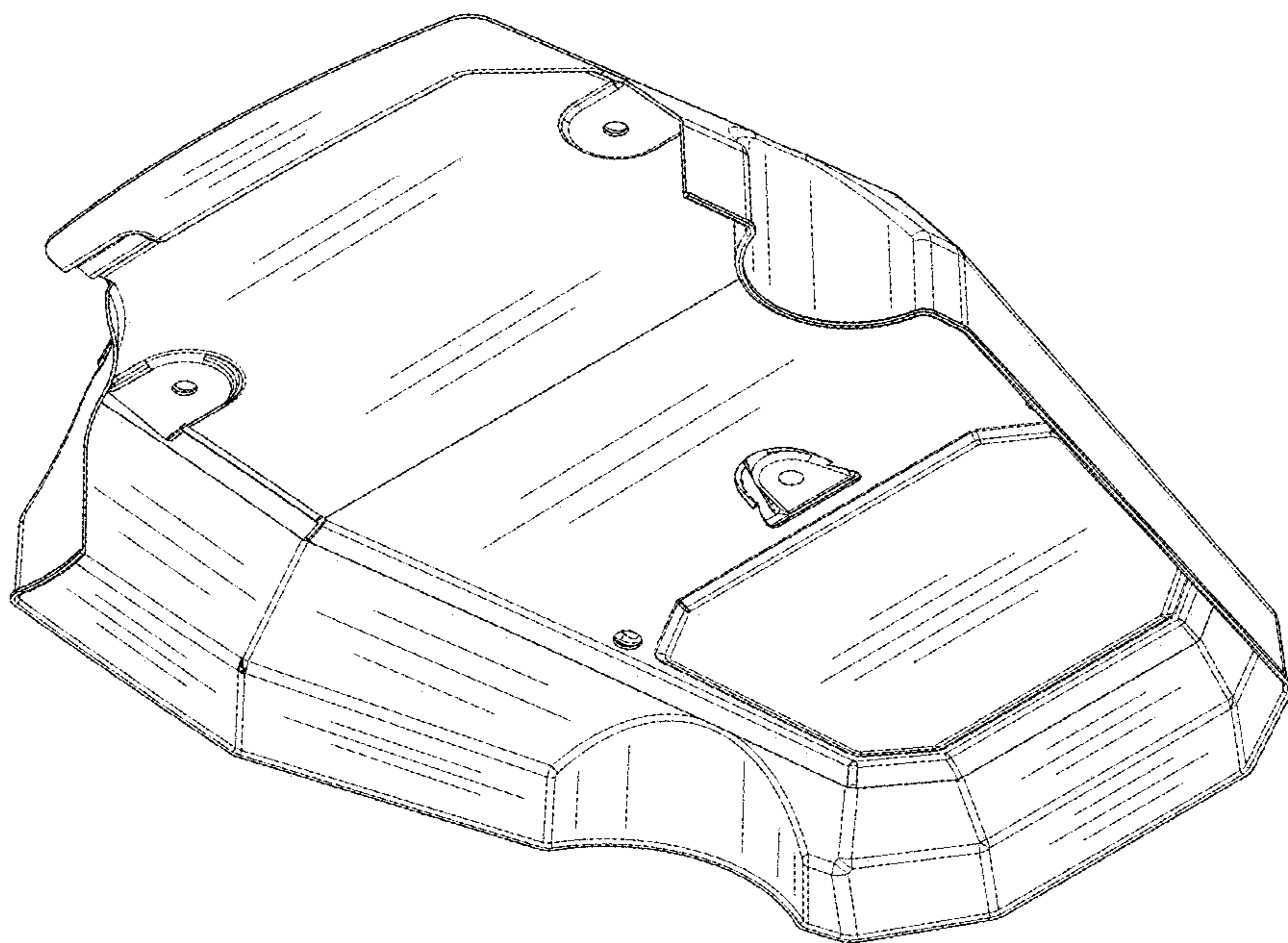


FIG. 7

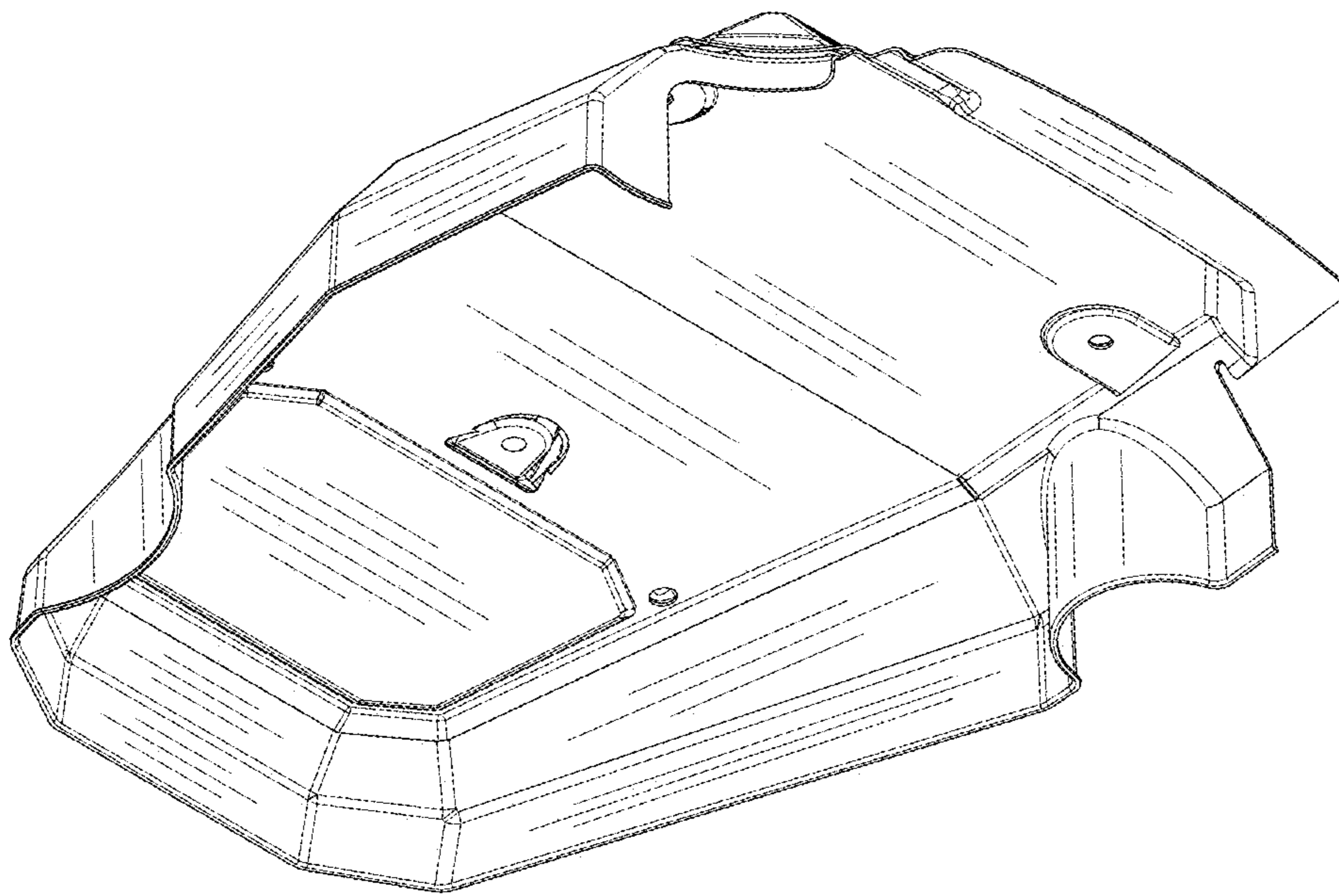


FIG. 8

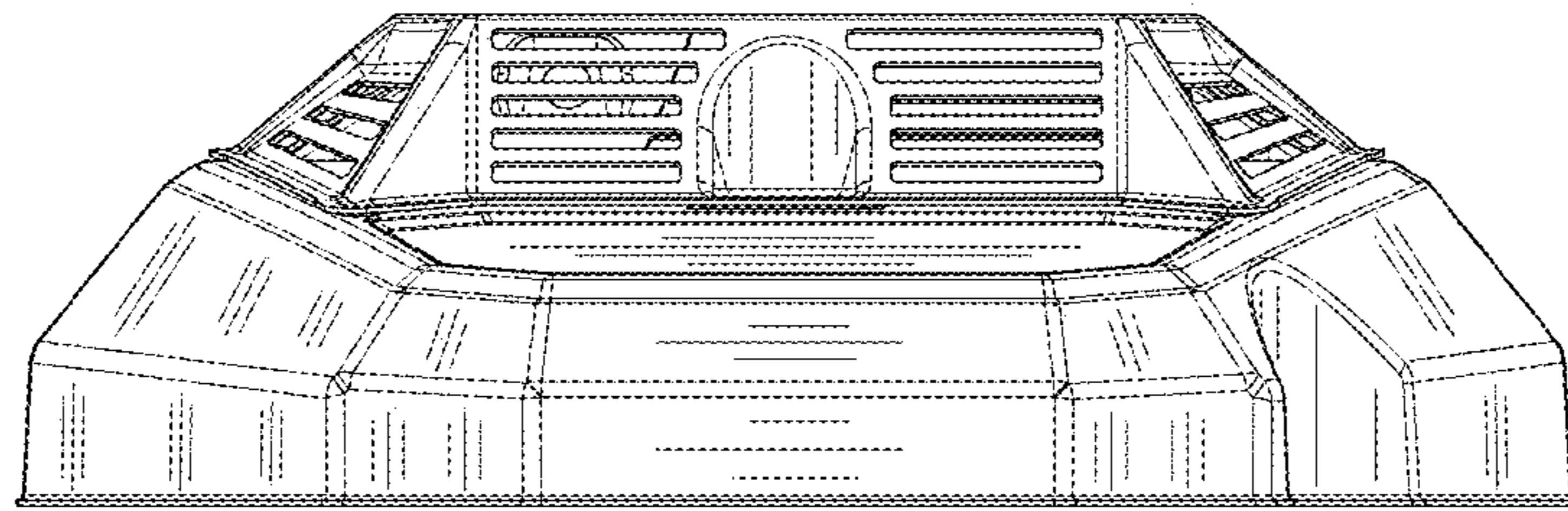


FIG. 9

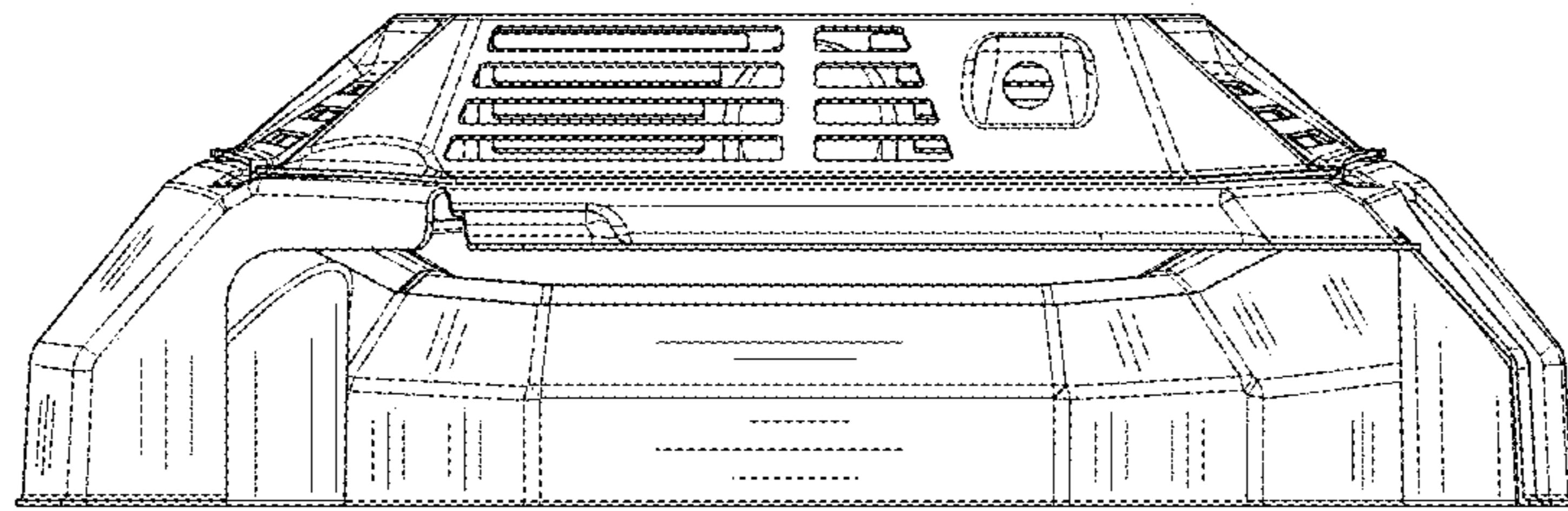


FIG. 10

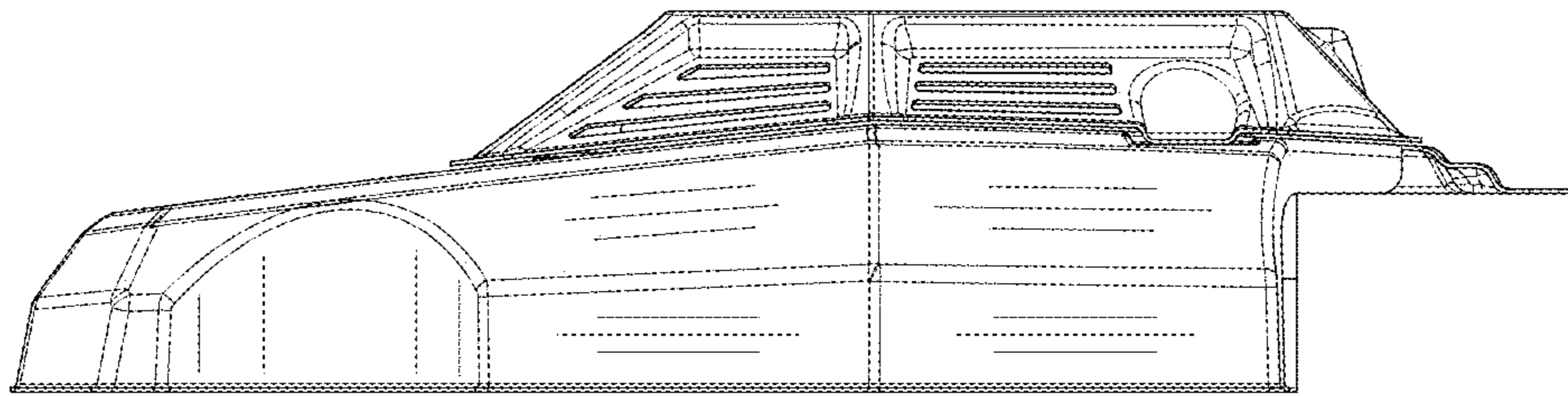


FIG. 11

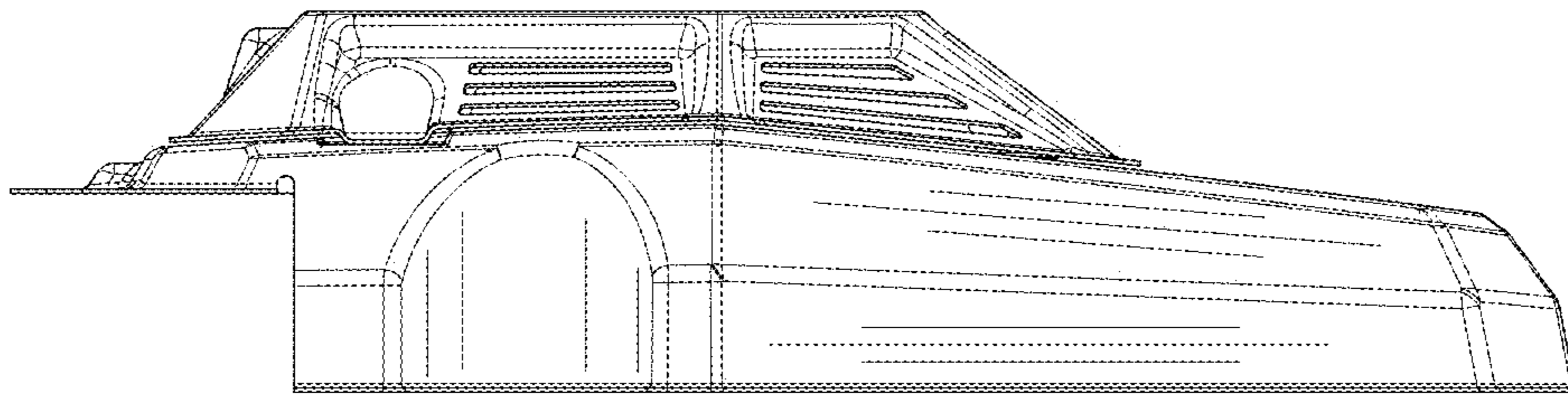


FIG. 12

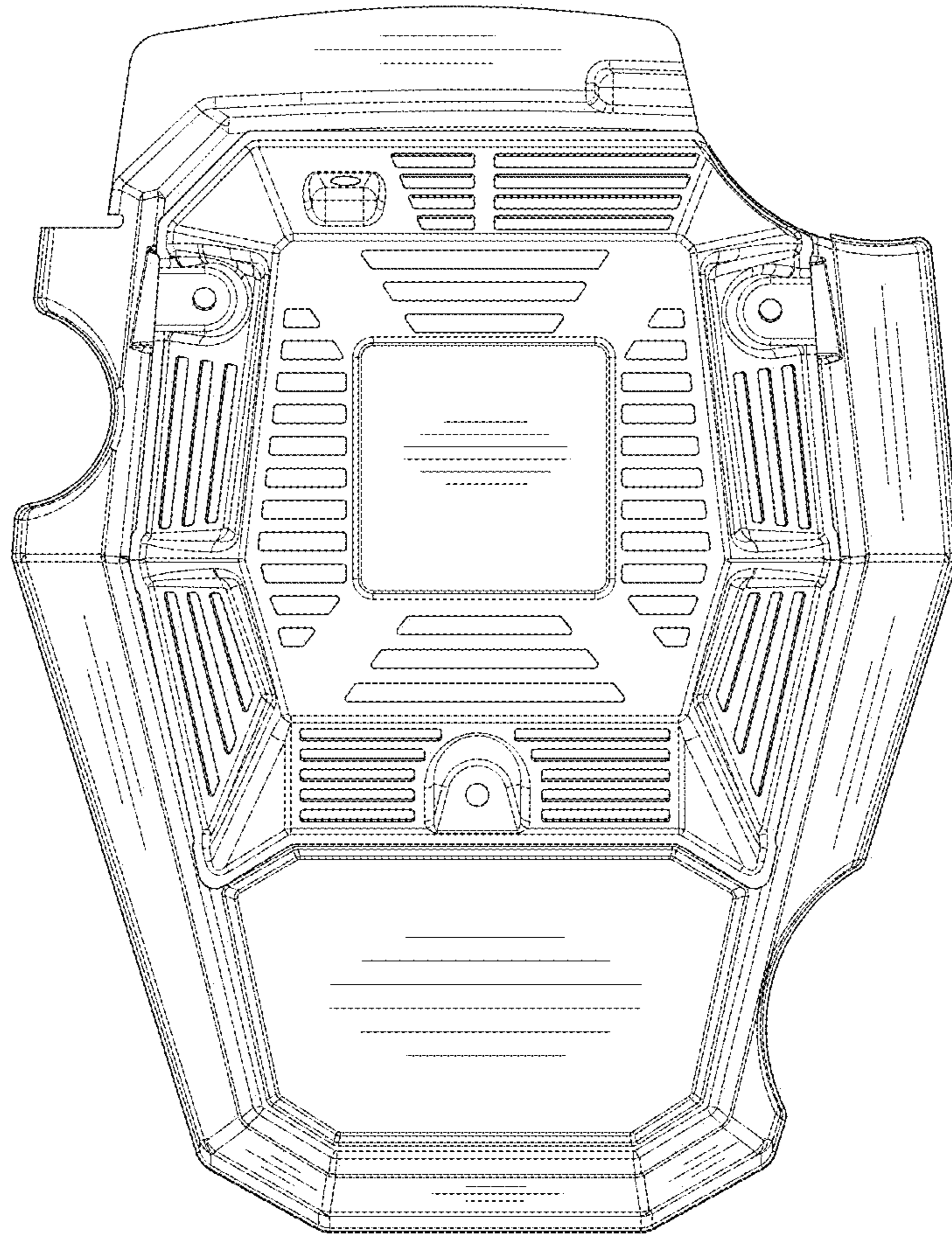


FIG. 13

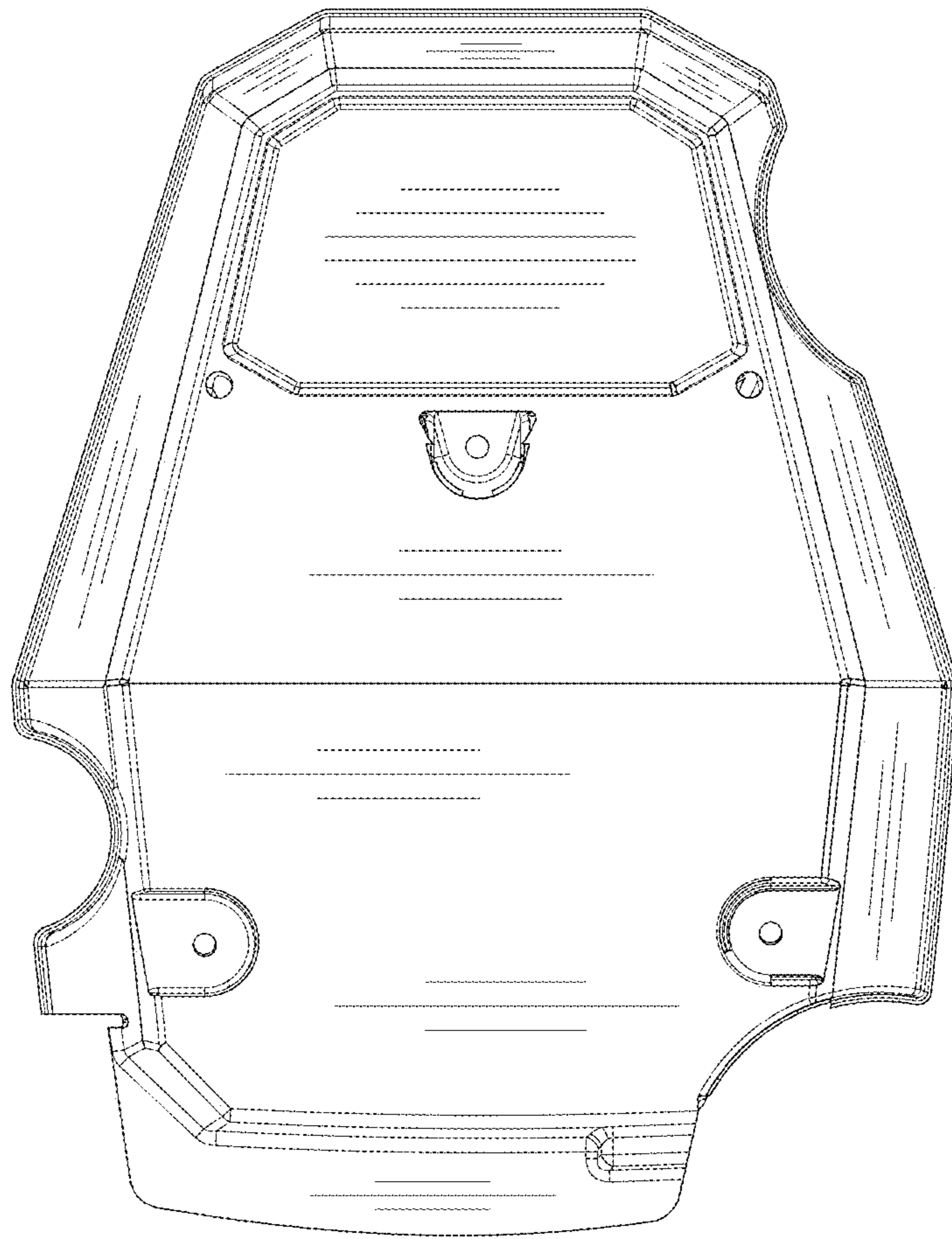


FIG. 14