



US00D912093S

(12) **United States Design Patent**  
**Wolf et al.**

(10) **Patent No.:** **US D912,093 S**  
(45) **Date of Patent:** **\*\* Mar. 2, 2021**

(54) **BLOWER HOUSING FOR AN ENGINE**

(71) Applicant: **Kohler Co.**, Kohler, WI (US)

(72) Inventors: **Christopher Wolf**, Brown Deer, WI (US); **Michelle Formanek**, Sheboygan, WI (US); **Eric B. Hudak**, Sheboygan, WI (US); **Michael E. Smies**, Waldo, WI (US)

(73) Assignee: **KOHLER CO.**, Kohler, WI (US)

(\*\*) Term: **15 Years**

(21) Appl. No.: **29/640,361**

(22) Filed: **Mar. 14, 2018**

(51) **LOC (13) Cl.** ..... **15-01**

(52) **U.S. Cl.**  
USPC ..... **D15/5**

(58) **Field of Classification Search**  
USPC ..... D15/1-6, 14, 9.1, 12, 17, 28, 149;  
123/22.41, 34, 51 A, 606 R, 52.1, 50 A,  
123/50 B, 54.1, 54.2, 54.4, 54.5, 65 R,  
123/195 R, 195 HC, 657, 311  
CPC ..... F02B 2075/027; F02B 2075/1816; F02B  
2075/025; F02B 2075/1808; F02B 75/20;  
F02B 75/22; F02B 2275/18; F02B  
2275/20; F02B 77/13; F02B 77/00; F02B  
63/04

See application file for complete search history.

(56) **References Cited**

**U.S. PATENT DOCUMENTS**

D379,995 S \* 6/1997 Gilmore ..... D15/1  
D396,045 S \* 7/1998 Neeley ..... D15/1  
D487,700 S \* 3/2004 Bourque ..... D9/453  
D527,022 S \* 8/2006 Walters ..... D15/5  
D594,878 S \* 6/2009 Post ..... D15/5  
7,594,484 B2 \* 9/2009 Lavender ..... F01P 5/06  
123/198 E

D615,557 S \* 5/2010 Mayer ..... D15/5  
D655,310 S \* 3/2012 Tiefenthaler ..... D15/5  
D665,426 S \* 8/2012 Tiefenthaler ..... D15/5  
D667,464 S \* 9/2012 Tiefenthaler ..... D15/5  
D687,709 S \* 8/2013 Taylor ..... D9/453  
8,746,485 B1 \* 6/2014 Tiefenthaler ..... B60K 15/0406  
220/288  
D721,423 S \* 1/2015 Jacques ..... D23/260  
D733,186 S \* 6/2015 Bink ..... D15/5  
D733,187 S \* 6/2015 Bink ..... D15/5  
D735,762 S \* 7/2015 Bink ..... D15/1  
D735,762 S \* 8/2015 Andren ..... D15/5  
D735,763 S \* 8/2015 Andren ..... D15/5  
D735,764 S \* 8/2015 Andren ..... D15/5  
D735,765 S \* 8/2015 Andren ..... D15/5  
D735,767 S \* 8/2015 Andren ..... D15/5  
D735,768 S \* 8/2015 Andren ..... D15/5

(Continued)

*Primary Examiner* — Mark A Goodwin

(74) *Attorney, Agent, or Firm* — The Belles Group, P.C.

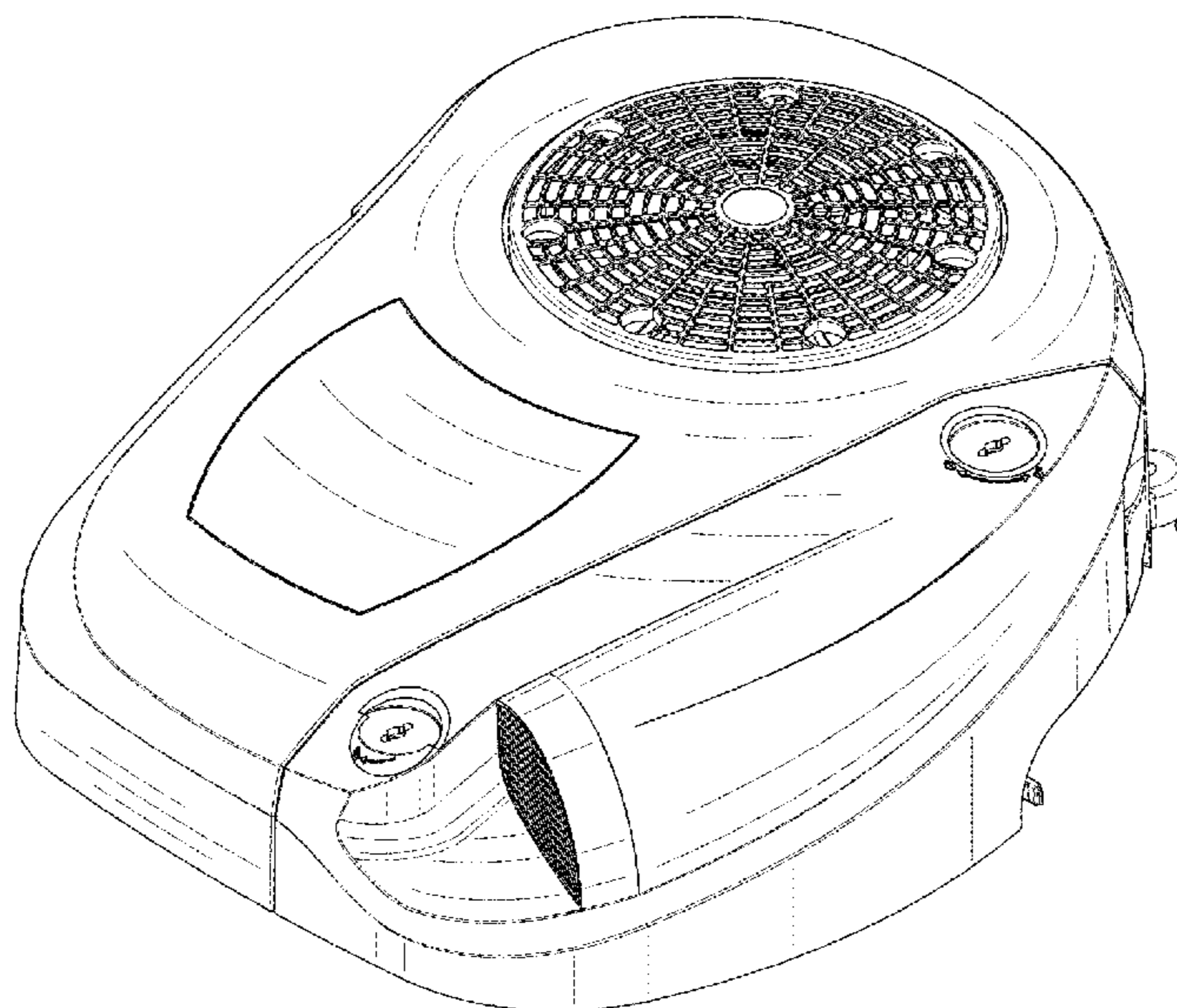
(57) **CLAIM**

The ornamental design for a blower housing for an engine, as shown and described.

**DESCRIPTION**

FIG. 1 is a front-right top perspective view of a blower housing for an engine showing the new design;  
FIG. 2 is a front-left top perspective view thereof;  
FIG. 3 is a rear-right top perspective view thereof;  
FIG. 4 is a rear-left top perspective view thereof;  
FIG. 5 is a front-right bottom perspective view thereof;  
FIG. 6 is a front-left bottom perspective view thereof;  
FIG. 7 is a rear-left bottom perspective view thereof;  
FIG. 8 is a rear-right bottom perspective view thereof;  
FIG. 9 is a front plan view thereof;  
FIG. 10 is a rear plan view thereof;  
FIG. 11 is a right-side plan view thereof;  
FIG. 12 is a left-side plan view thereof;  
FIG. 13 is a top plan view thereof; and,  
FIG. 14 is a bottom plan view thereof.

**1 Claim, 14 Drawing Sheets**



(56)

**References Cited**

U.S. PATENT DOCUMENTS

|              |      |         |        |       |                            |
|--------------|------|---------|--------|-------|----------------------------|
| D736,264     | S *  | 8/2015  | Andren | ..... | D15/5                      |
| D742,922     | S *  | 11/2015 | Andren | ..... | D15/5                      |
| D742,923     | S *  | 11/2015 | Andren | ..... | D15/5                      |
| D742,924     | S *  | 11/2015 | Andren | ..... | D15/5                      |
| D784,413     | S *  | 4/2017  | Thorn  | ..... | D15/5                      |
| D787,558     | S *  | 5/2017  | Thorn  | ..... | D15/5                      |
| D795,298     | S *  | 8/2017  | Hanna  | ..... | D15/5                      |
| 2006/0124644 | A1 * | 6/2006  | Dehn   | ..... | B60K 15/0406<br>220/259.3  |
| 2010/0089919 | A1 * | 4/2010  | Dunkle | ..... | B60K 15/0406<br>220/203.01 |

\* cited by examiner

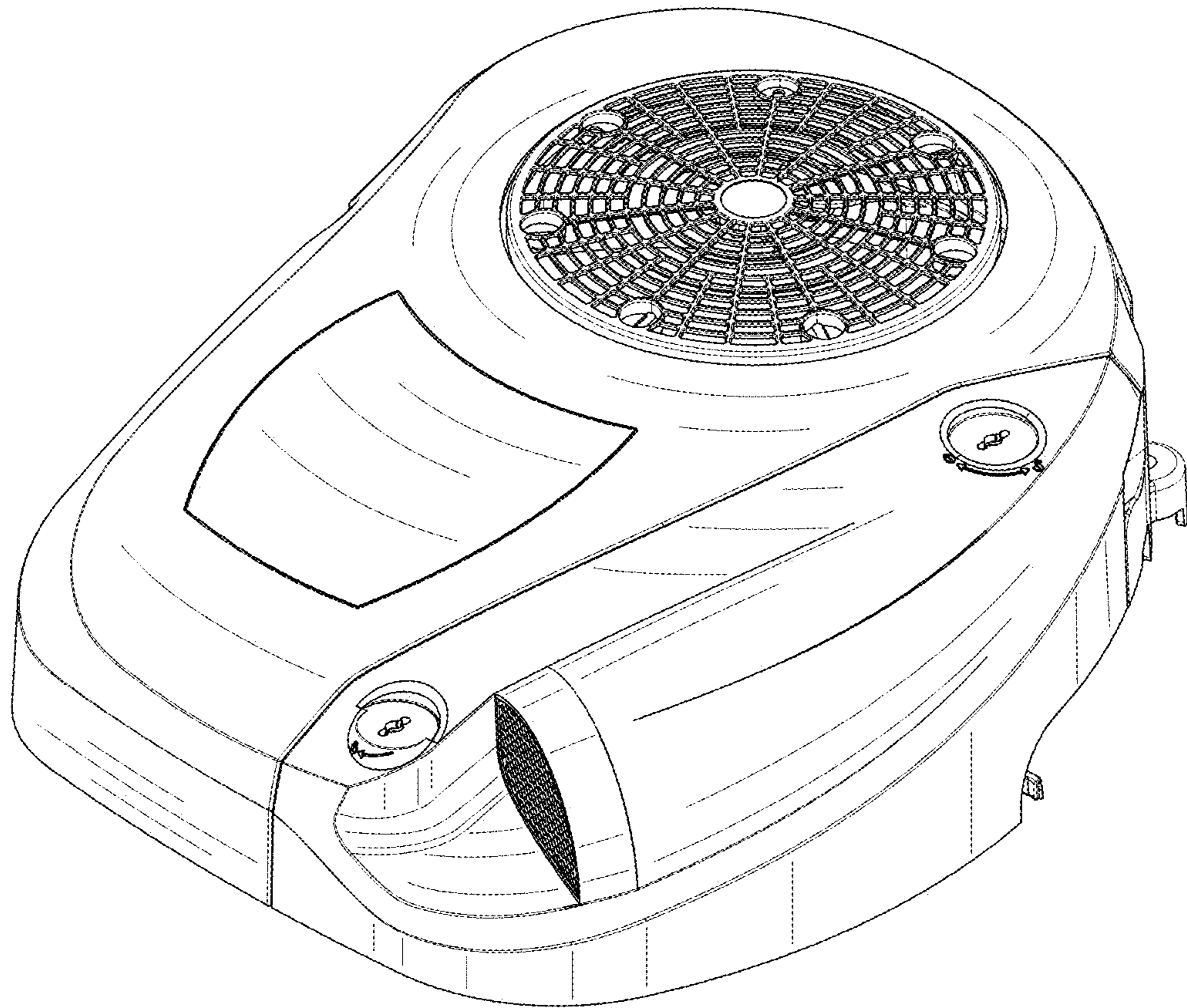


FIG. 1

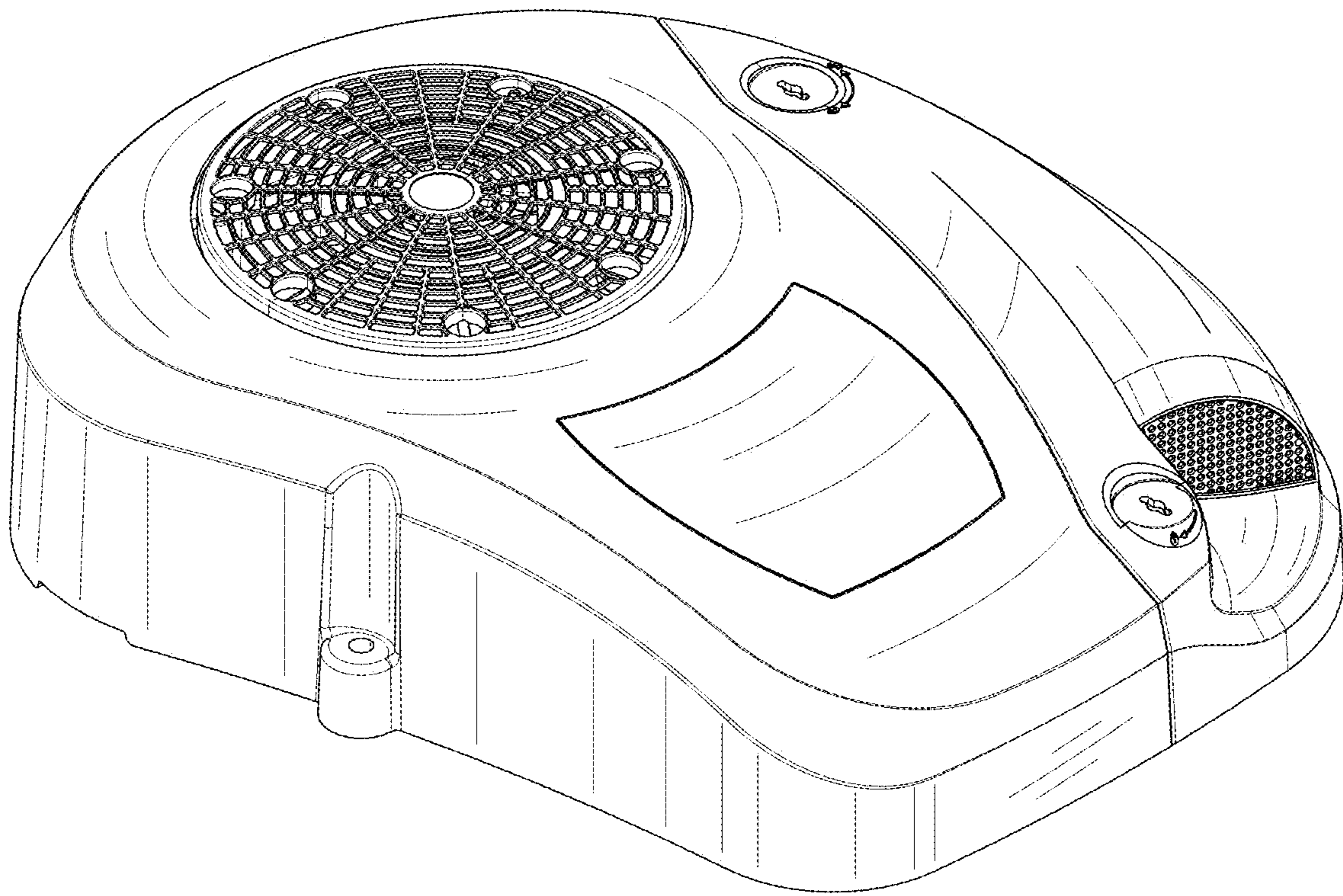


FIG. 2

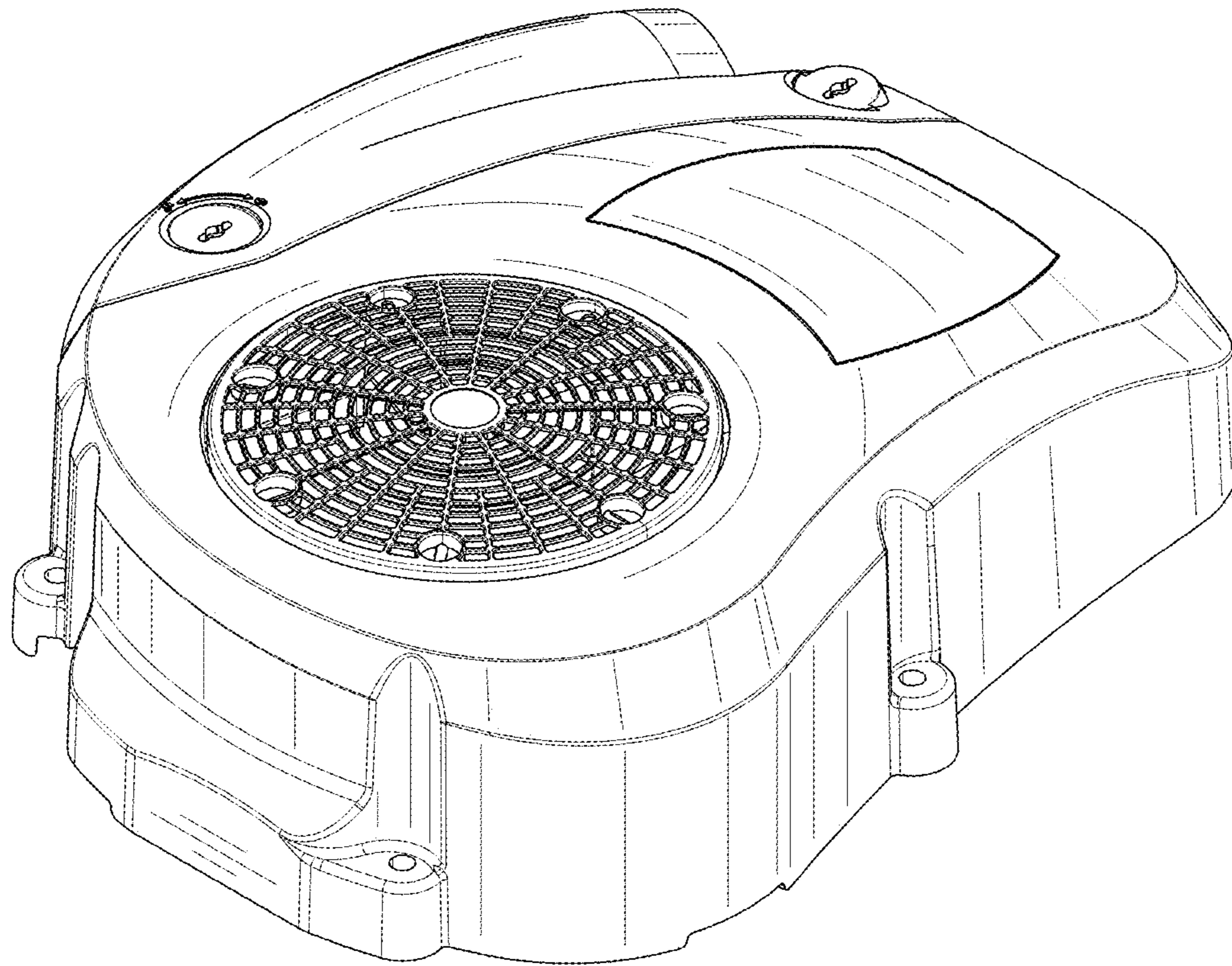


FIG. 3

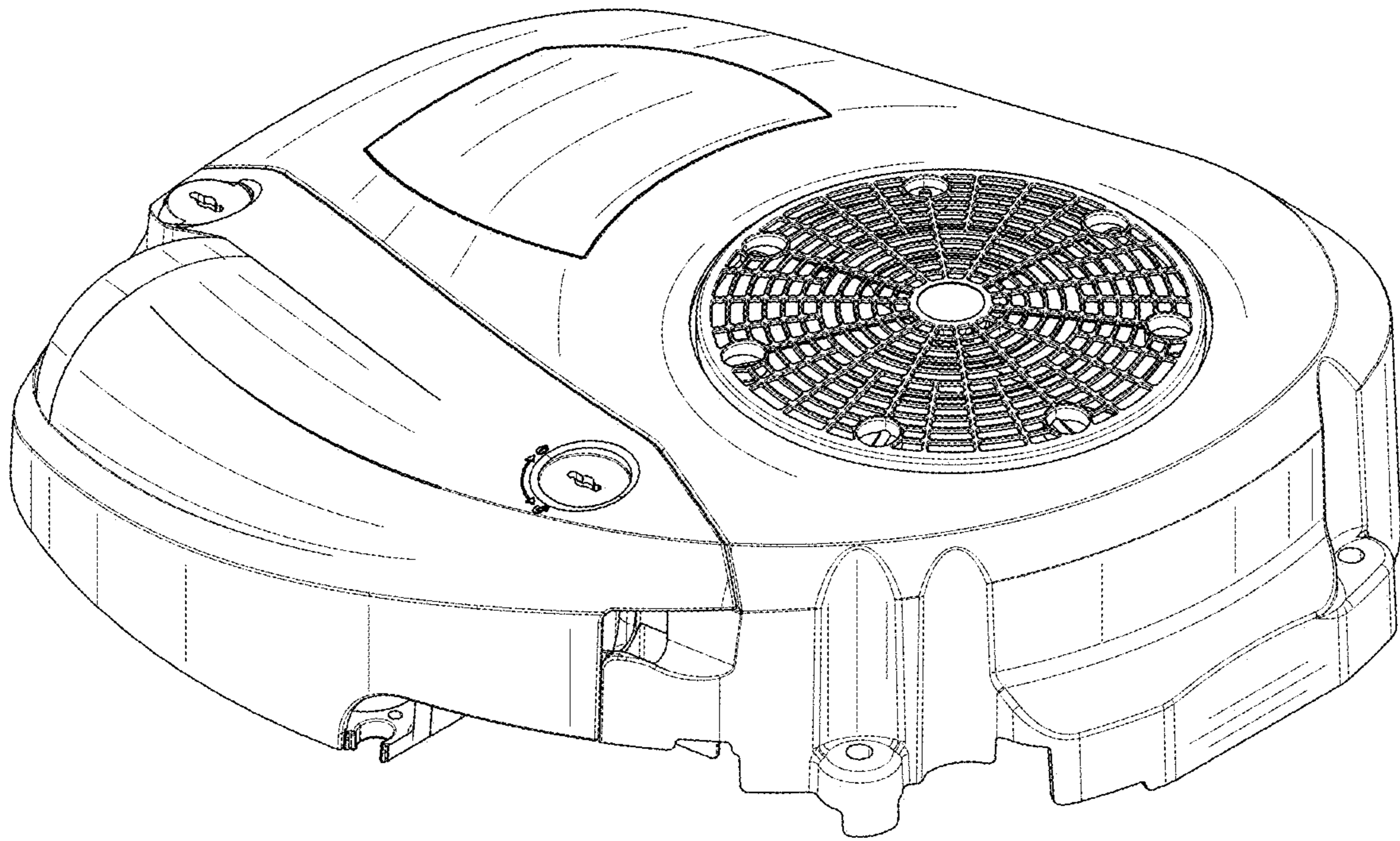


FIG. 4

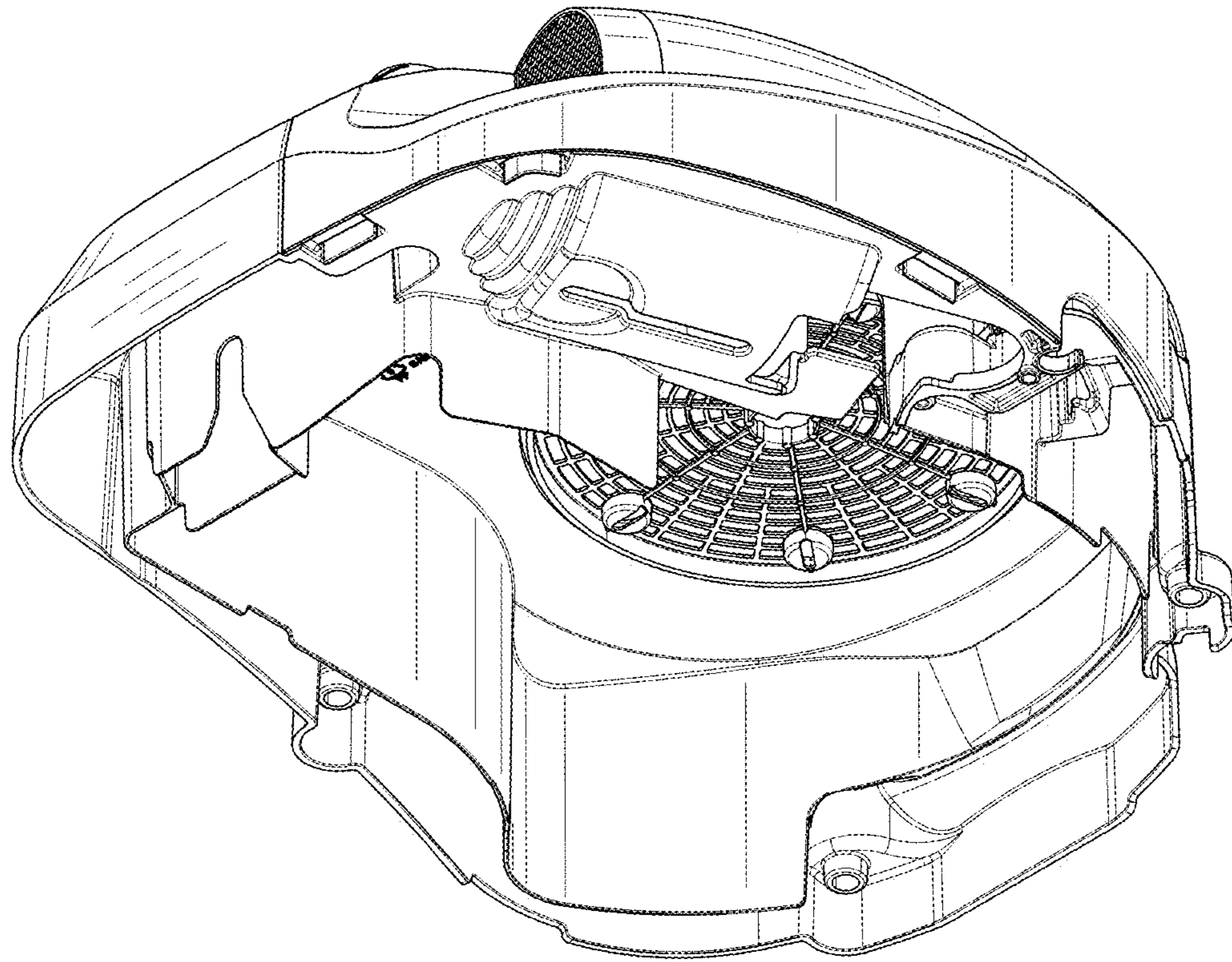


FIG. 5

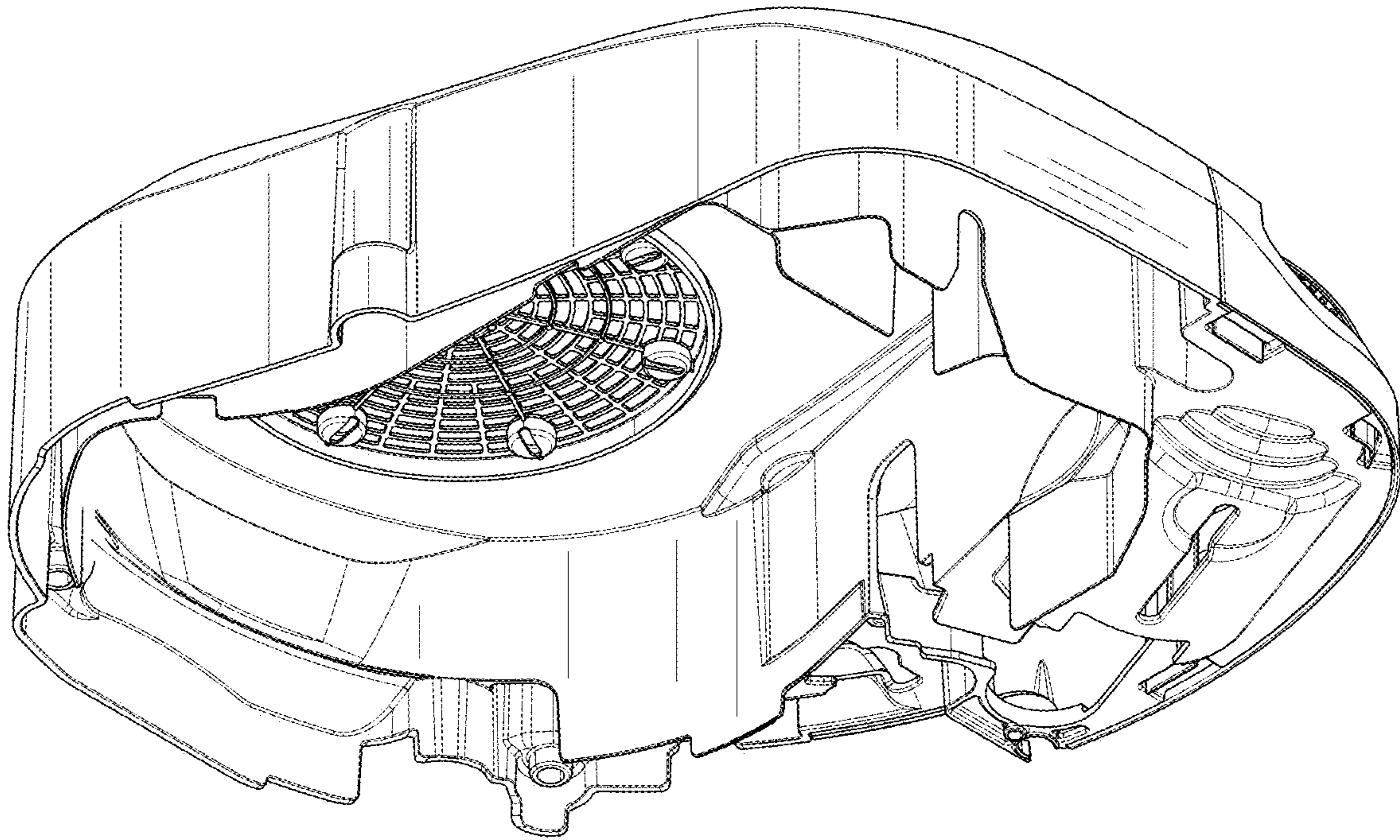


FIG. 6



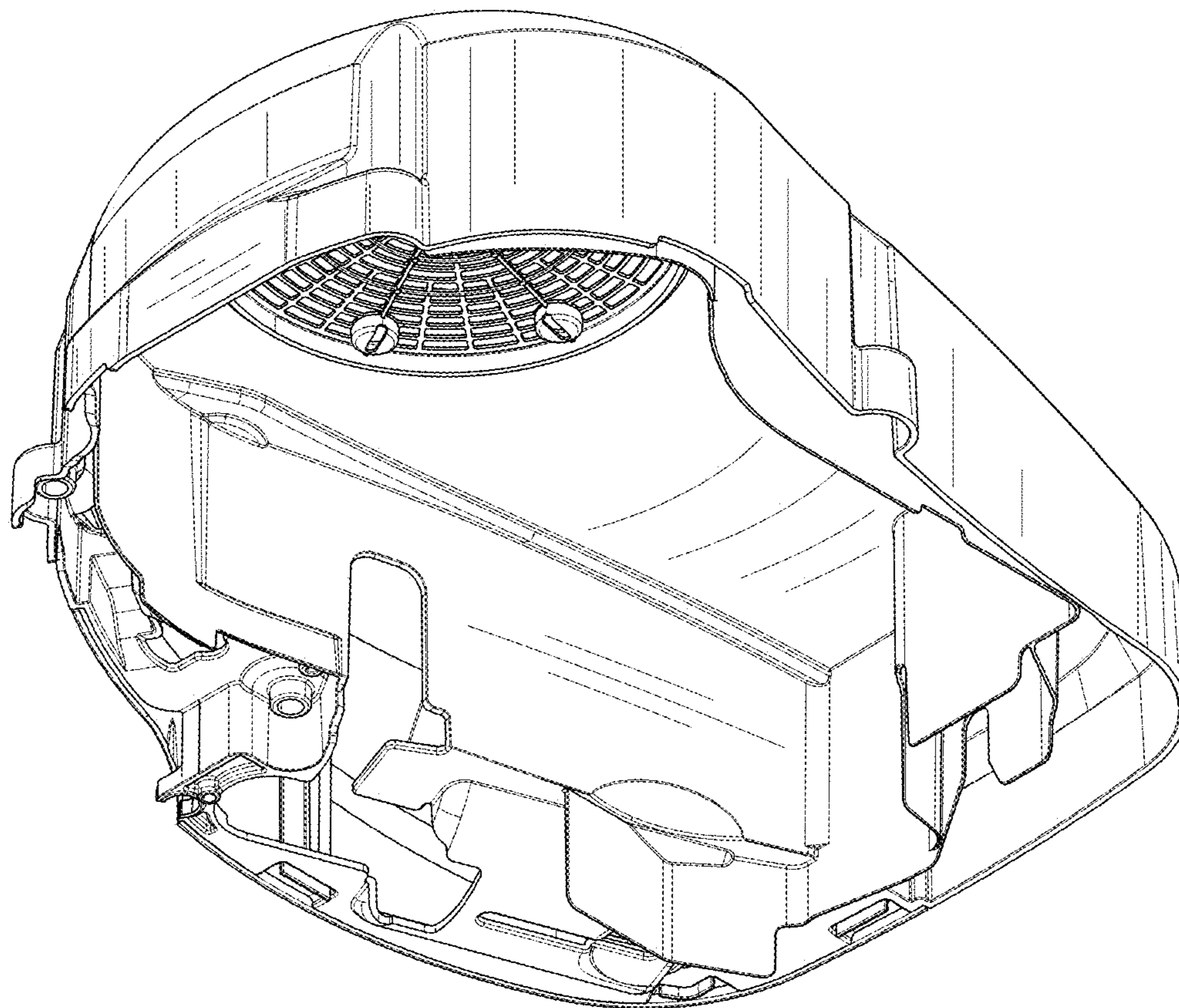


FIG. 7

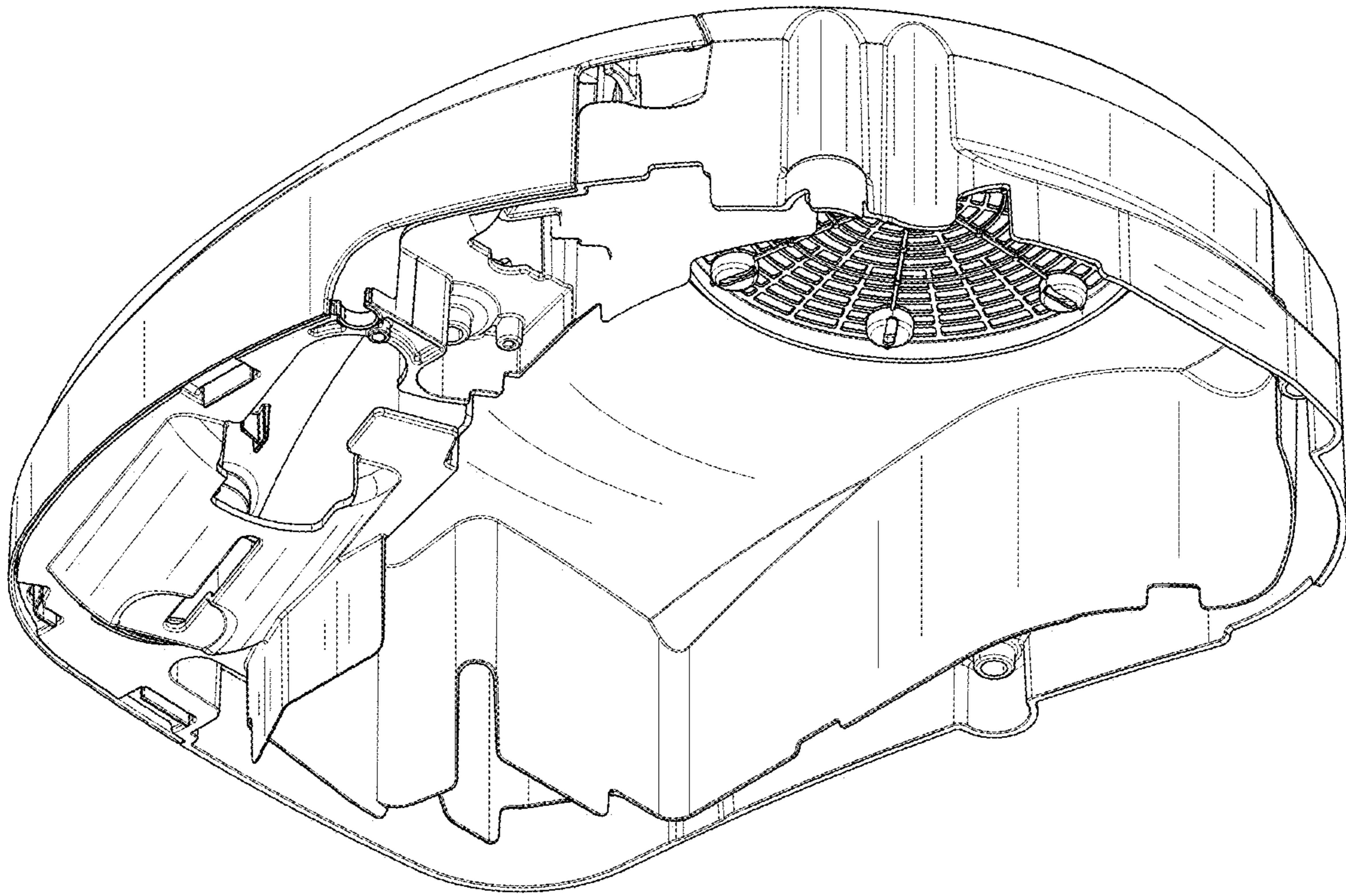


FIG. 8

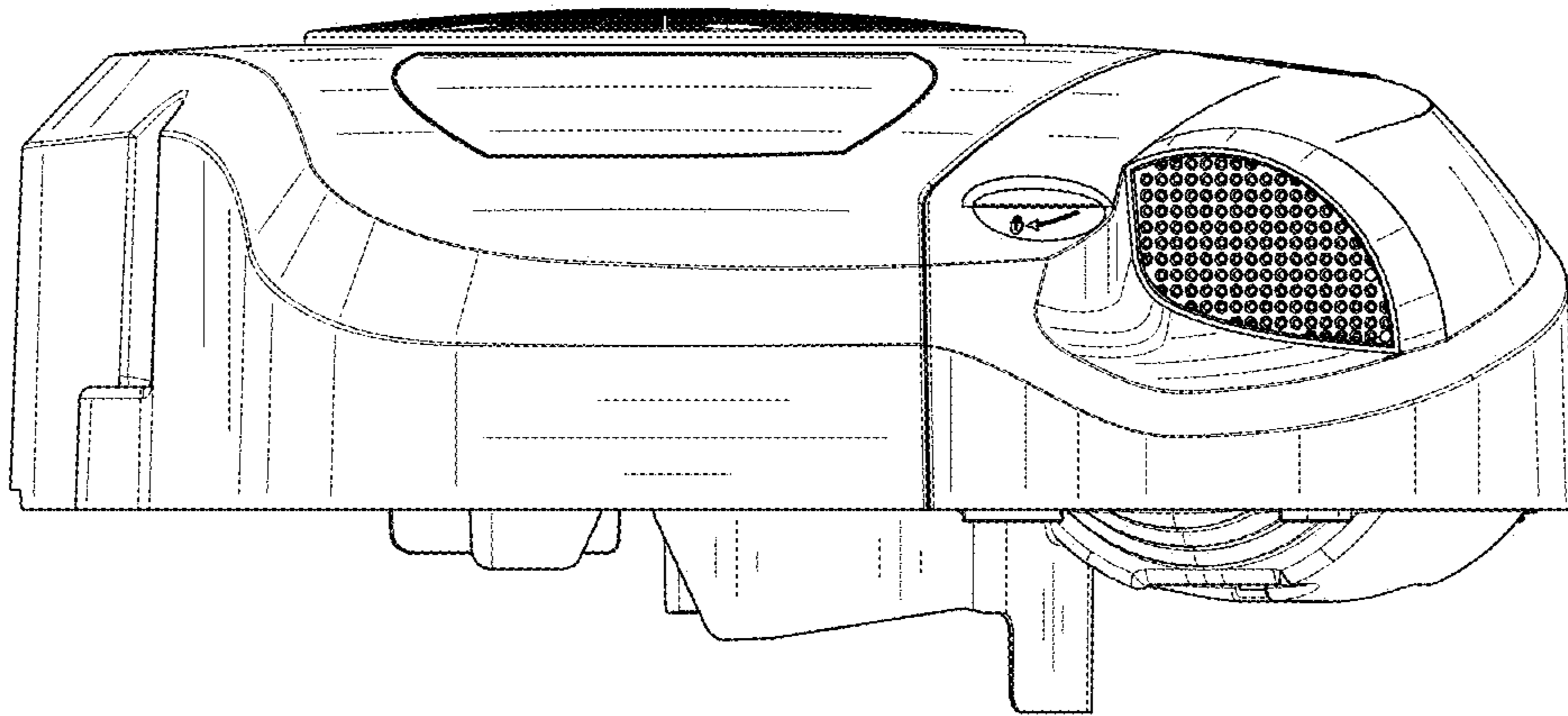


FIG. 9

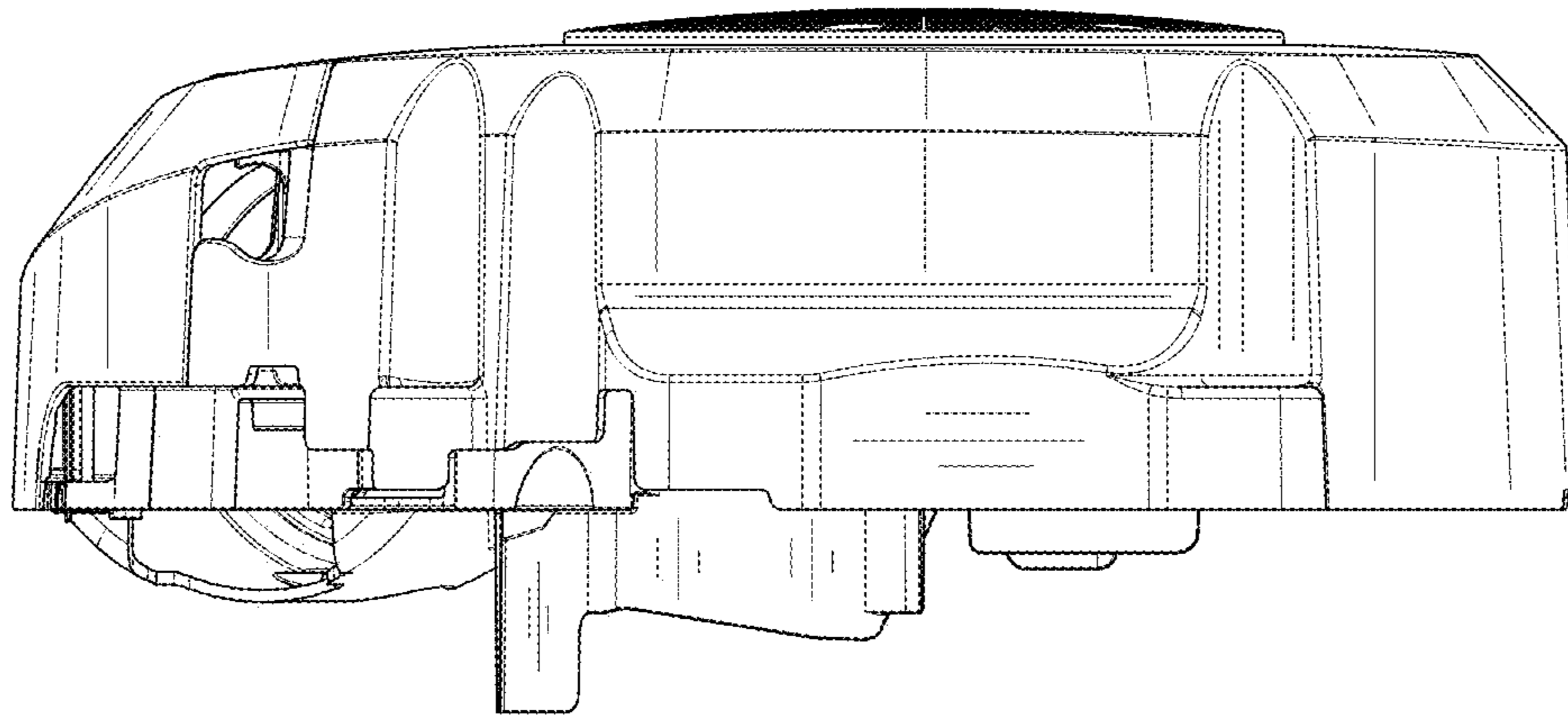


FIG. 10

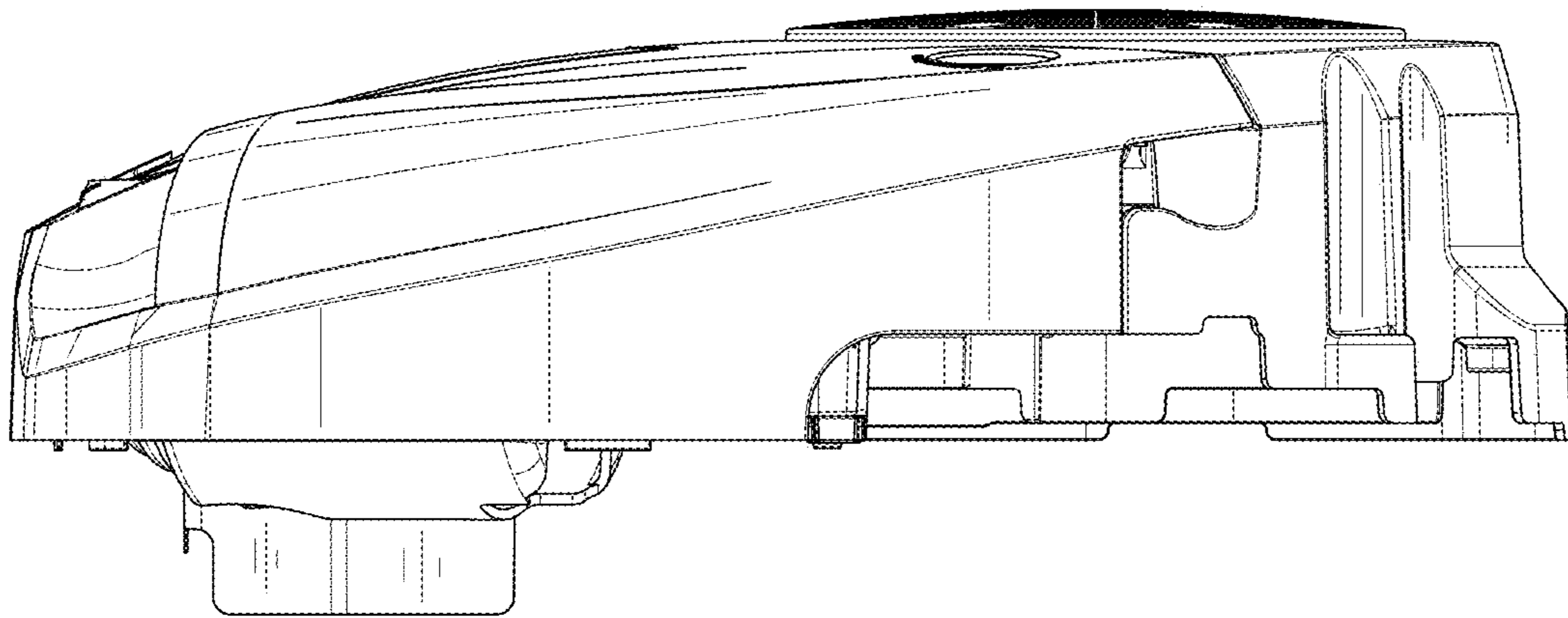


FIG. 11

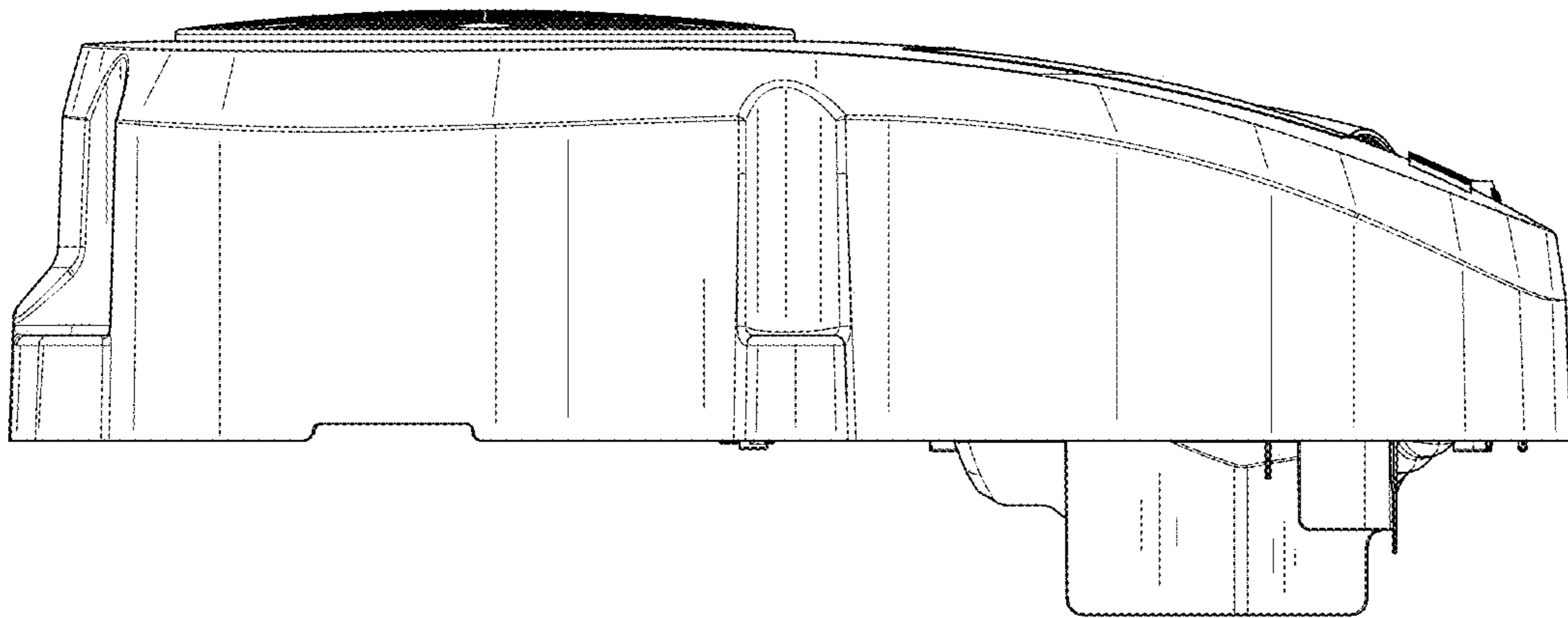


FIG. 12

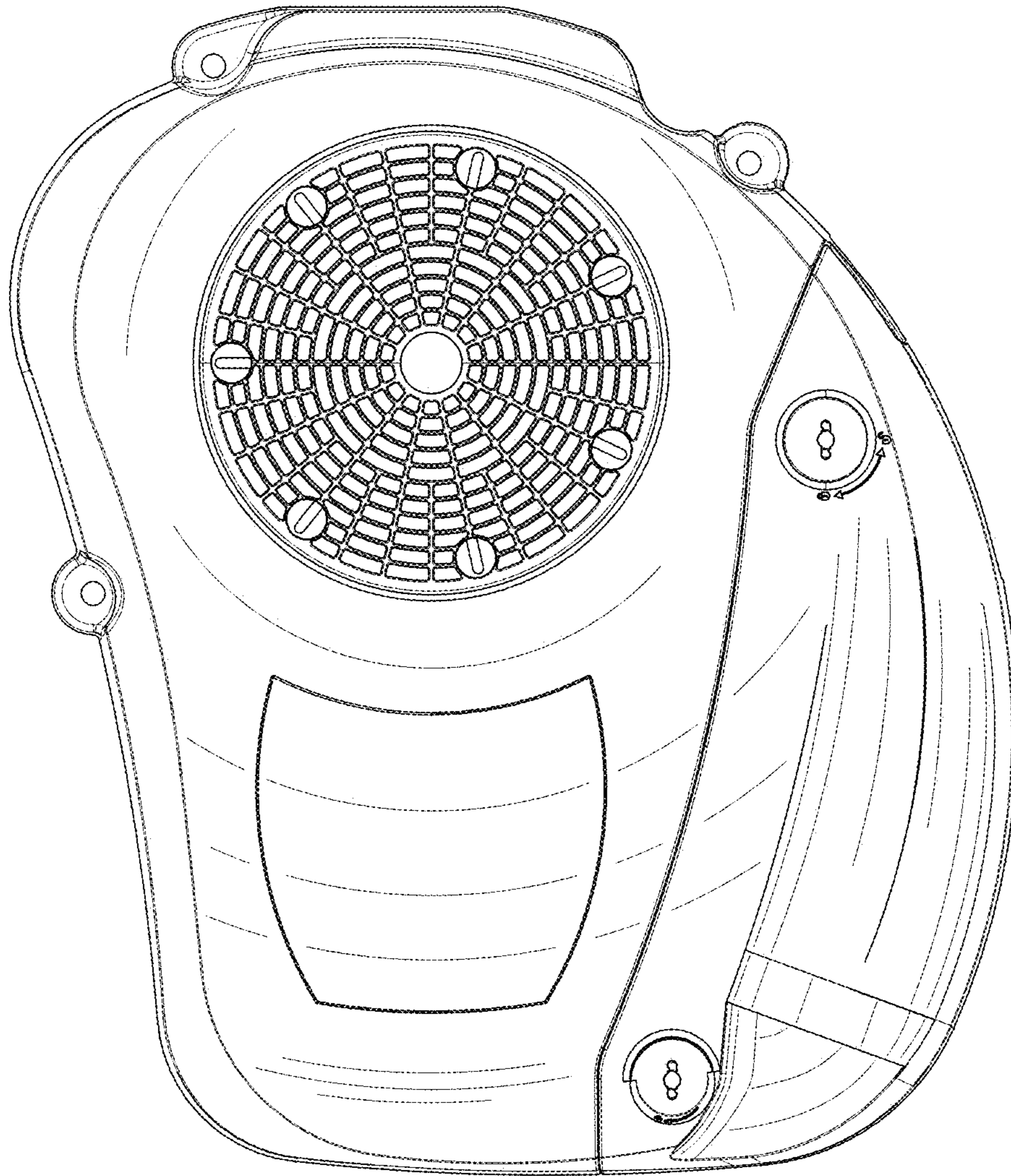


FIG. 13

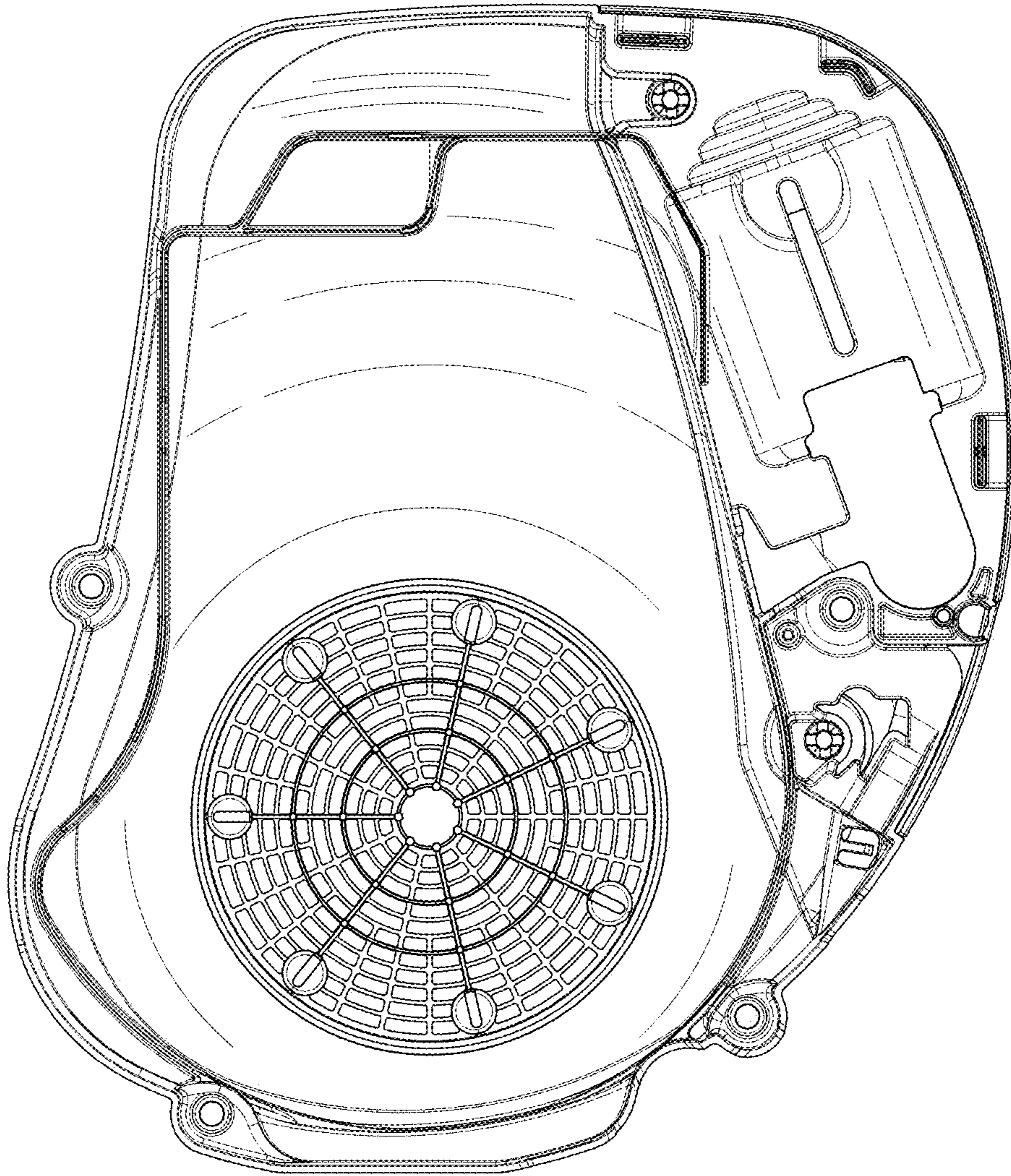


FIG. 14