



US00D912092S

(12) **United States Design Patent**
Lien

(10) **Patent No.:** **US D912,092 S**

(45) **Date of Patent:** **** Mar. 2, 2021**

(54) **ENGINE**

(71) Applicant: **Black & Decker Inc.**, New Britain, CT (US)

(72) Inventor: **Liu Chao Lien**, Taichung (TW)

(73) Assignee: **BLACK & DECKER INC.**, New Britain, CT (US)

(**) Term: **15 Years**

(21) Appl. No.: **29/629,805**

(22) Filed: **Dec. 15, 2017**

(51) **LOC (13) Cl.** **15-01**

(52) **U.S. Cl.**
USPC **D15/1**

(58) **Field of Classification Search**
USPC D12/107, 114, 115, 117, 126, 179, 182,
D12/223; D15/1-9, 9.1, 9.2, 10, 14, 17;
D23/364, 365
CPC F02C 7/052; F02M 35/02; F02M 35/024;
F02B 1/00; F02B 1/04; F02B 41/06;
F02B 63/02; Y02T 10/16
See application file for complete search history.

(56) **References Cited**

U.S. PATENT DOCUMENTS

D406,147 S	*	2/1999	Watanabe	D15/1
D487,751 S	*	3/2004	Neeley	D15/5
D506,760 S	*	6/2005	Lin	D15/1
D527,019 S	*	8/2006	Shimizu	D15/1
D572,271 S	*	7/2008	Maeda	D15/1
D583,831 S	*	12/2008	Post	D15/5

D591,767 S	*	5/2009	Lee	D15/1
D624,091 S	*	9/2010	Yuasa	D15/1
D646,299 S	*	10/2011	Aruga	D15/1
D682,782 S	*	5/2013	Yamamoto	D13/112
D734,721 S	*	7/2015	Fujiwara	D13/112
D776,164 S	*	1/2017	Hashimoto	D15/1
D780,225 S	*	2/2017	Hashimoto	D15/1
D794,077 S	*	8/2017	Shimogami	D15/1
D833,485 S	*	11/2018	Meyer	D15/17
D847,860 S	*	5/2019	Kawabuchi	D15/1
D849,795 S	*	5/2019	Taniguchi	D15/1
D865,816 S	*	11/2019	Lien	D15/1

* cited by examiner

Primary Examiner — Michael C Stout

Assistant Examiner — Fritzgerald L Butac

(74) *Attorney, Agent, or Firm* — Adan Ayala

(57) **CLAIM**

The ornamental design for an engine, as shown and described.

DESCRIPTION

FIG. 1 is a front perspective view of an engine according to the invention.

FIG. 2 is a front view of the engine of FIG. 1.

FIG. 3 is a rear view of the engine of FIG. 1.

FIG. 4 is a left side view of the engine of FIG. 1.

FIG. 5 is a right side view of the engine of FIG. 1.

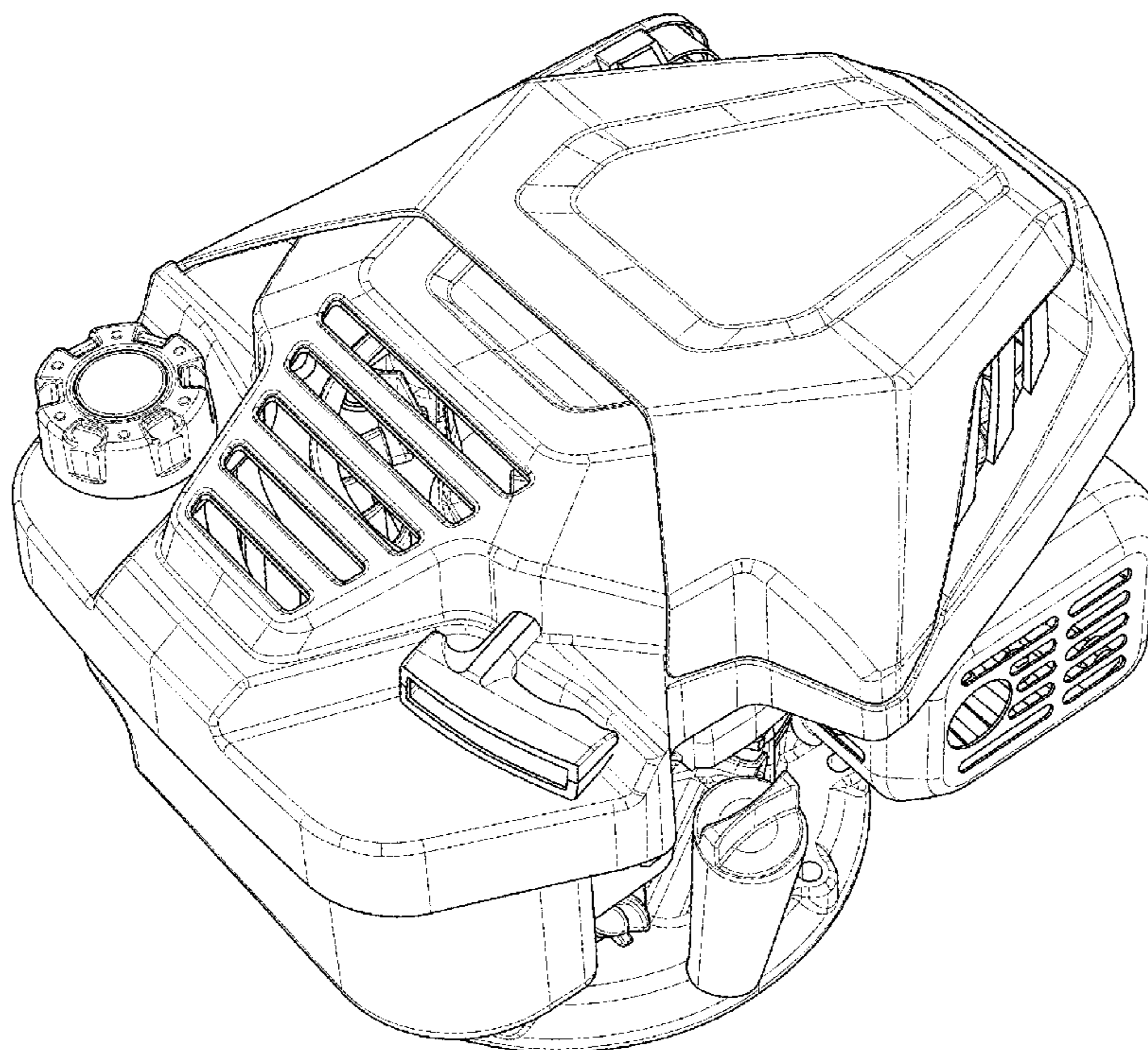
FIG. 6 is a top plan view of the engine of FIG. 1.

FIG. 7 is a bottom plan view of the engine of FIG. 1; and,

FIG. 8 is a rear perspective view of the engine of FIG. 1.

The broken lines illustrate portions of the engine and form no part of the claimed design.

1 Claim, 8 Drawing Sheets



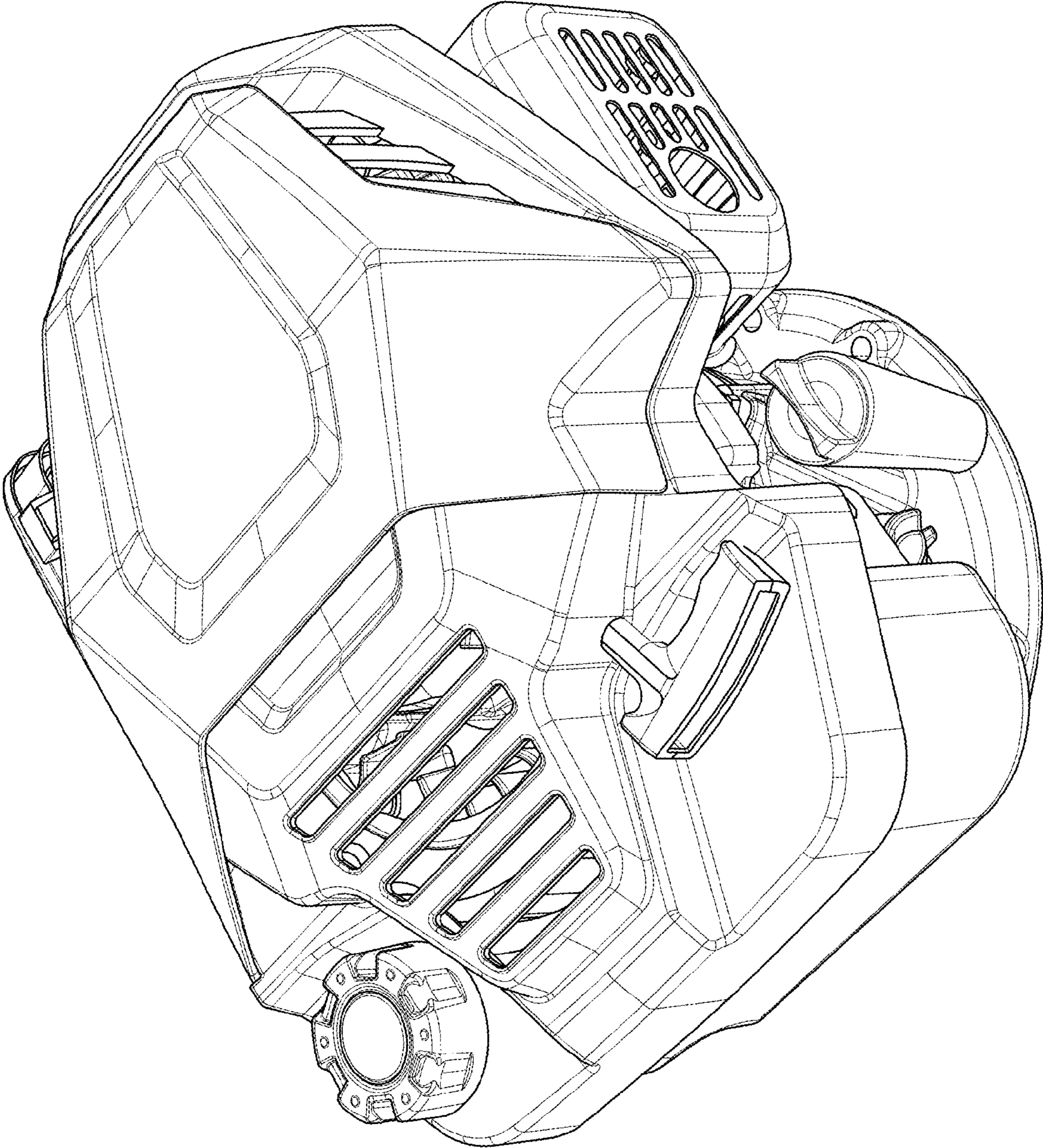


FIG. 1

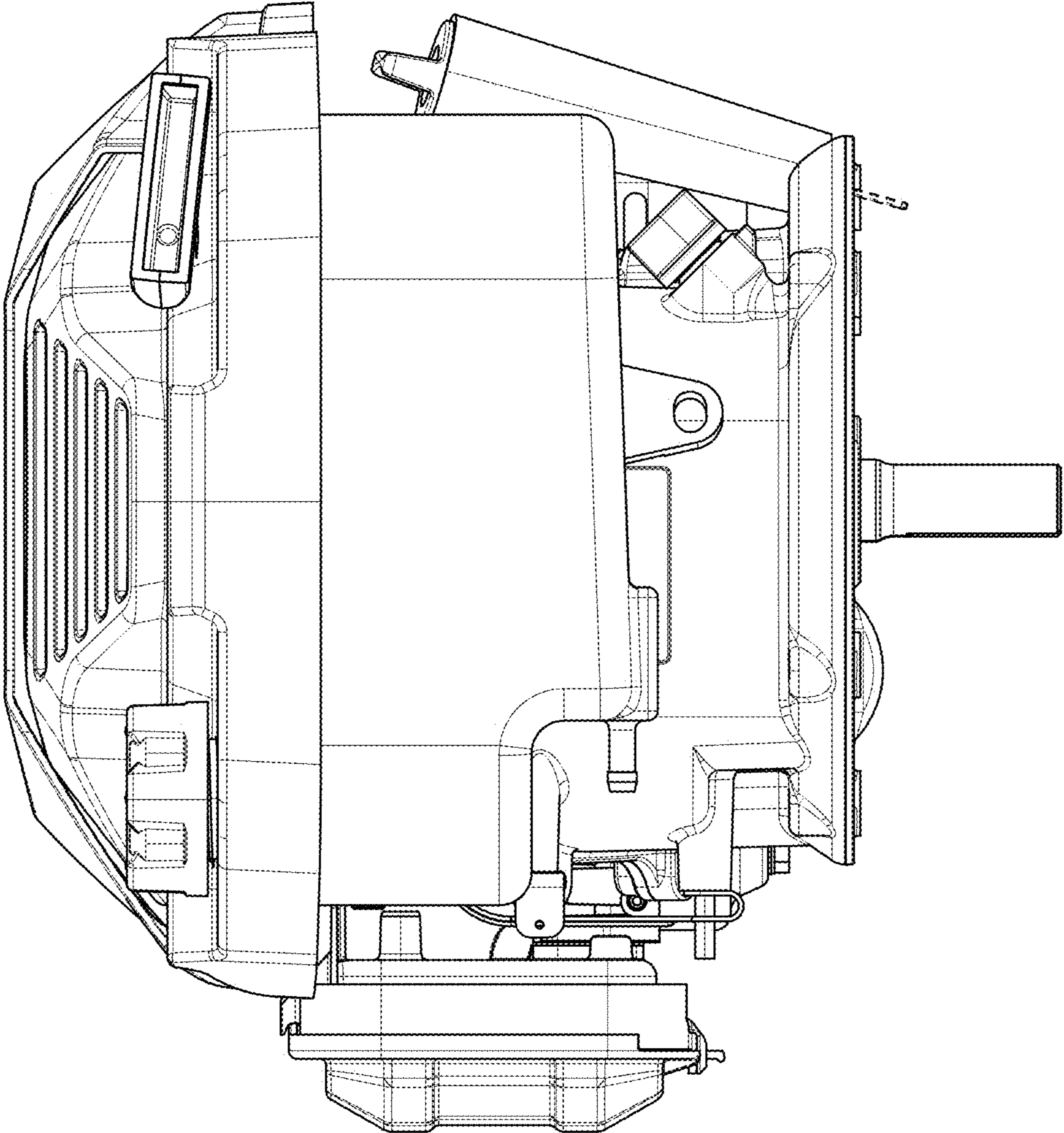


FIG. 2

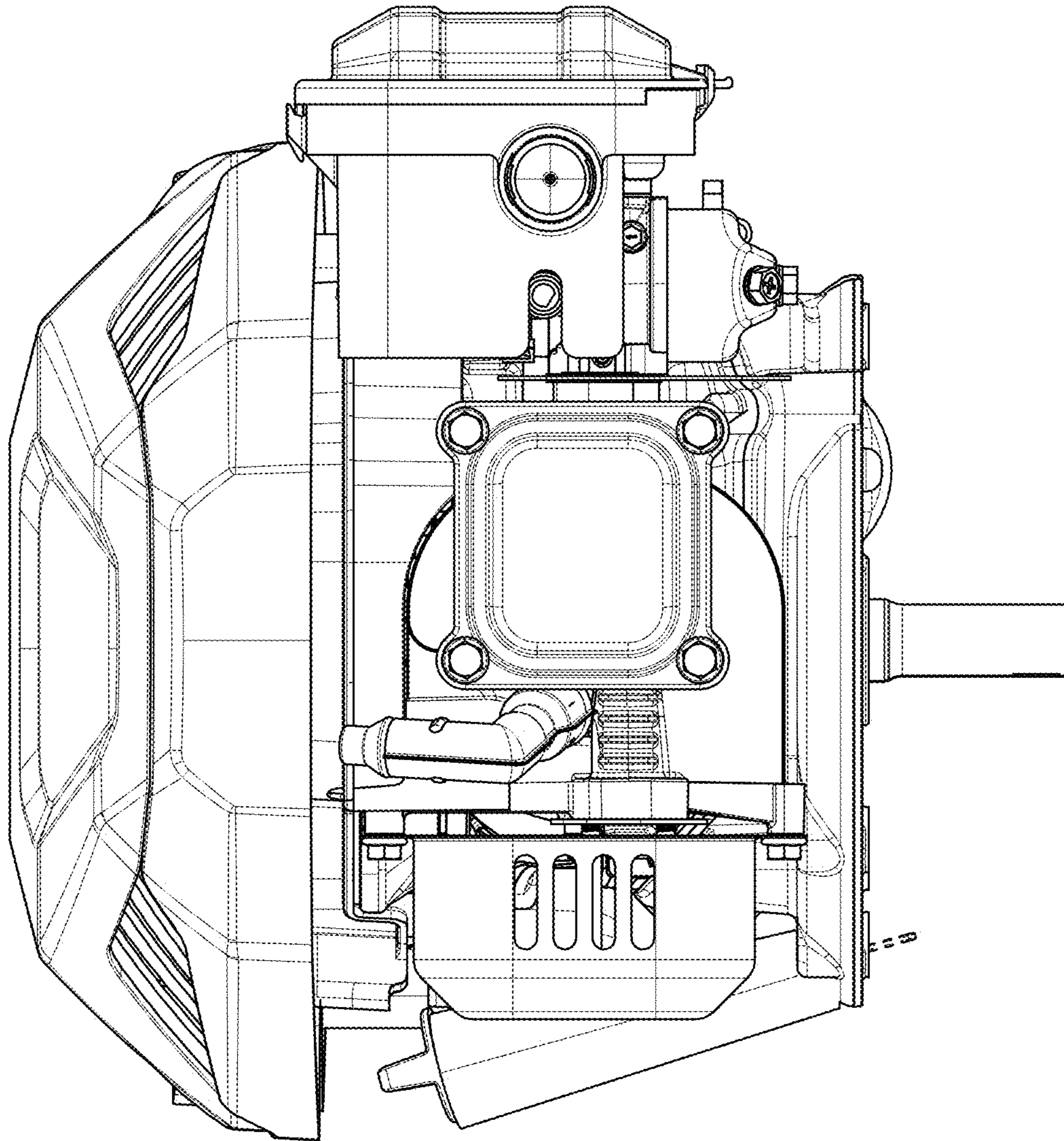


FIG. 3

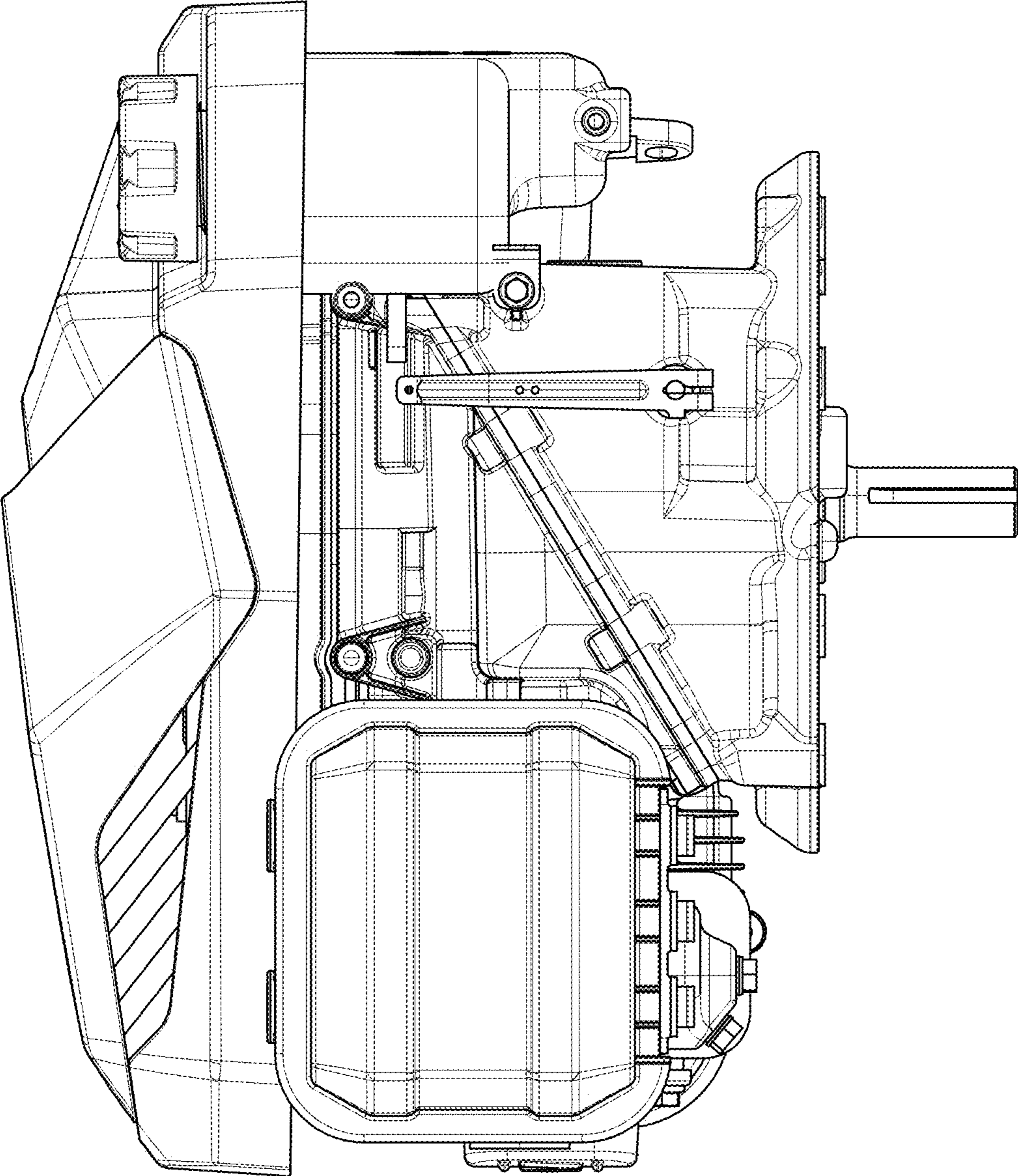


FIG. 4

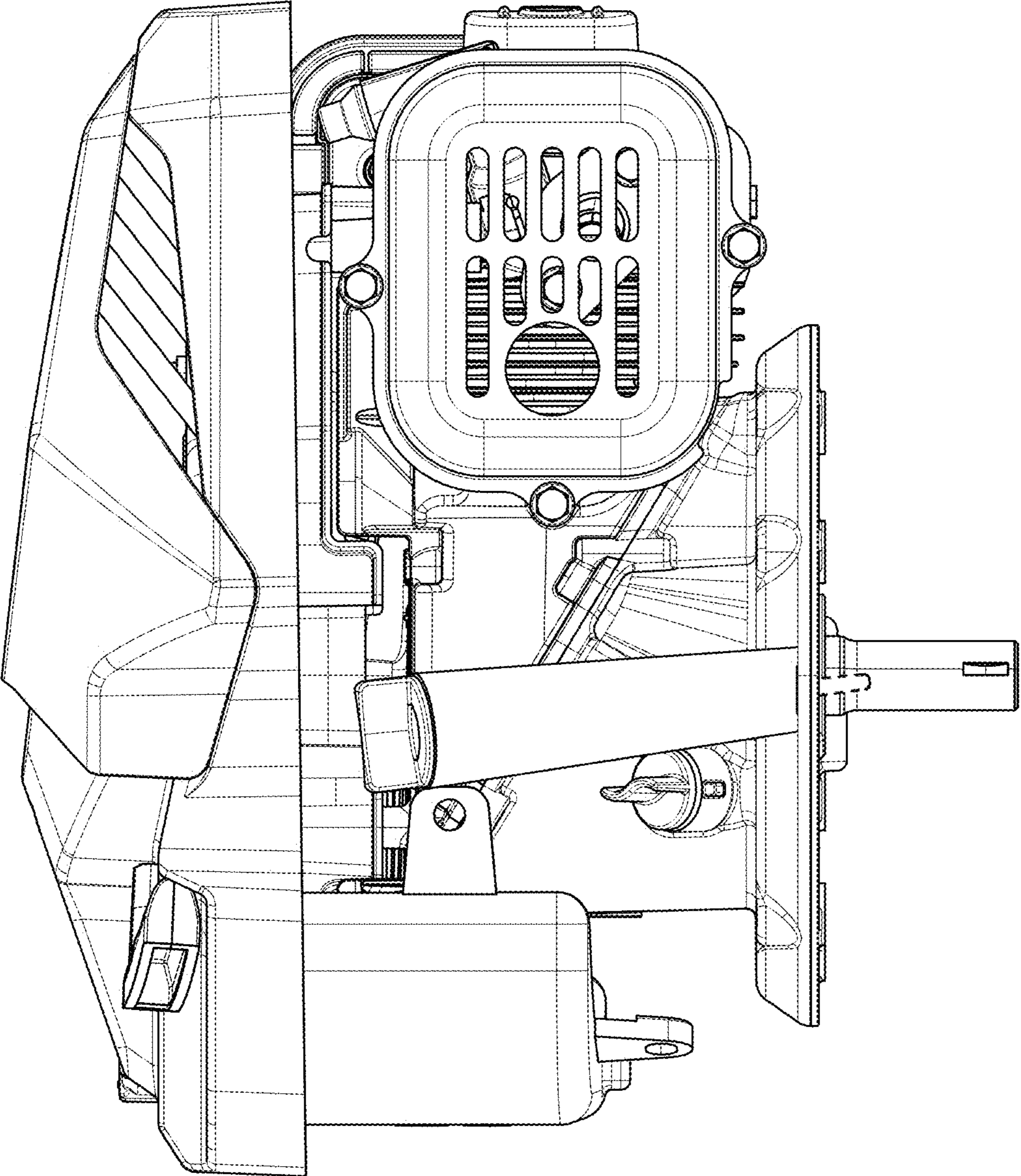


FIG. 5

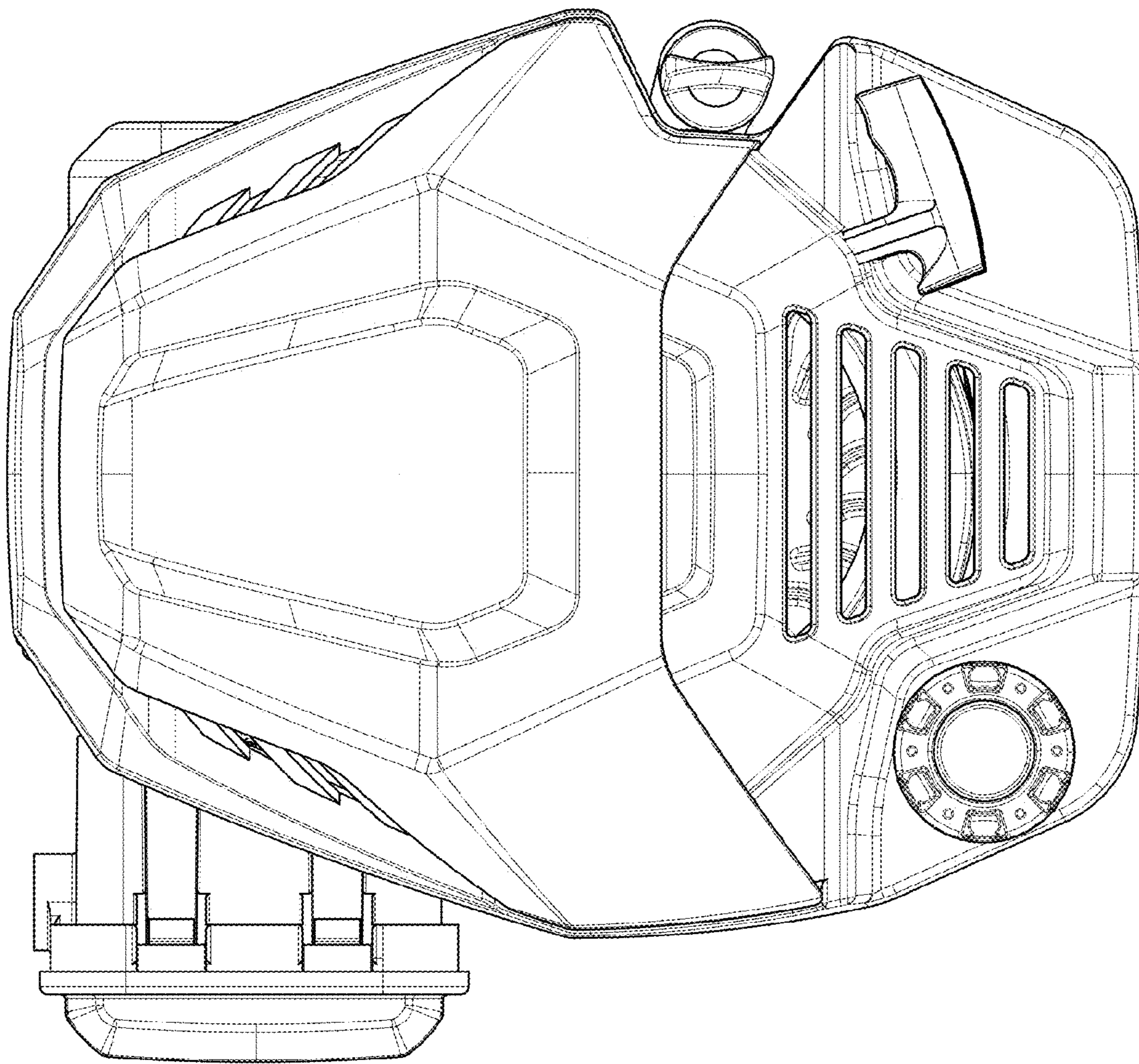


FIG. 6

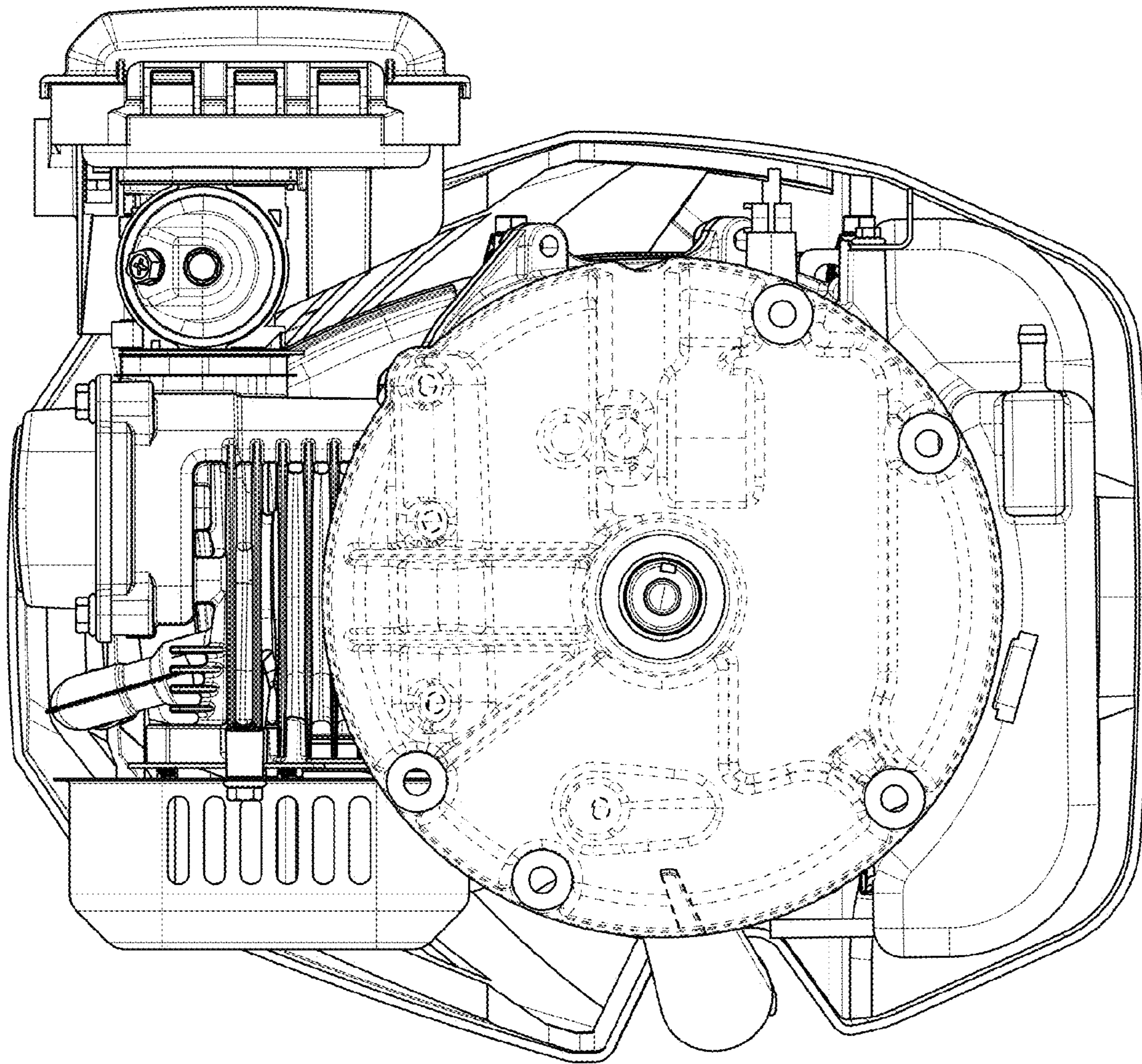


FIG. 7

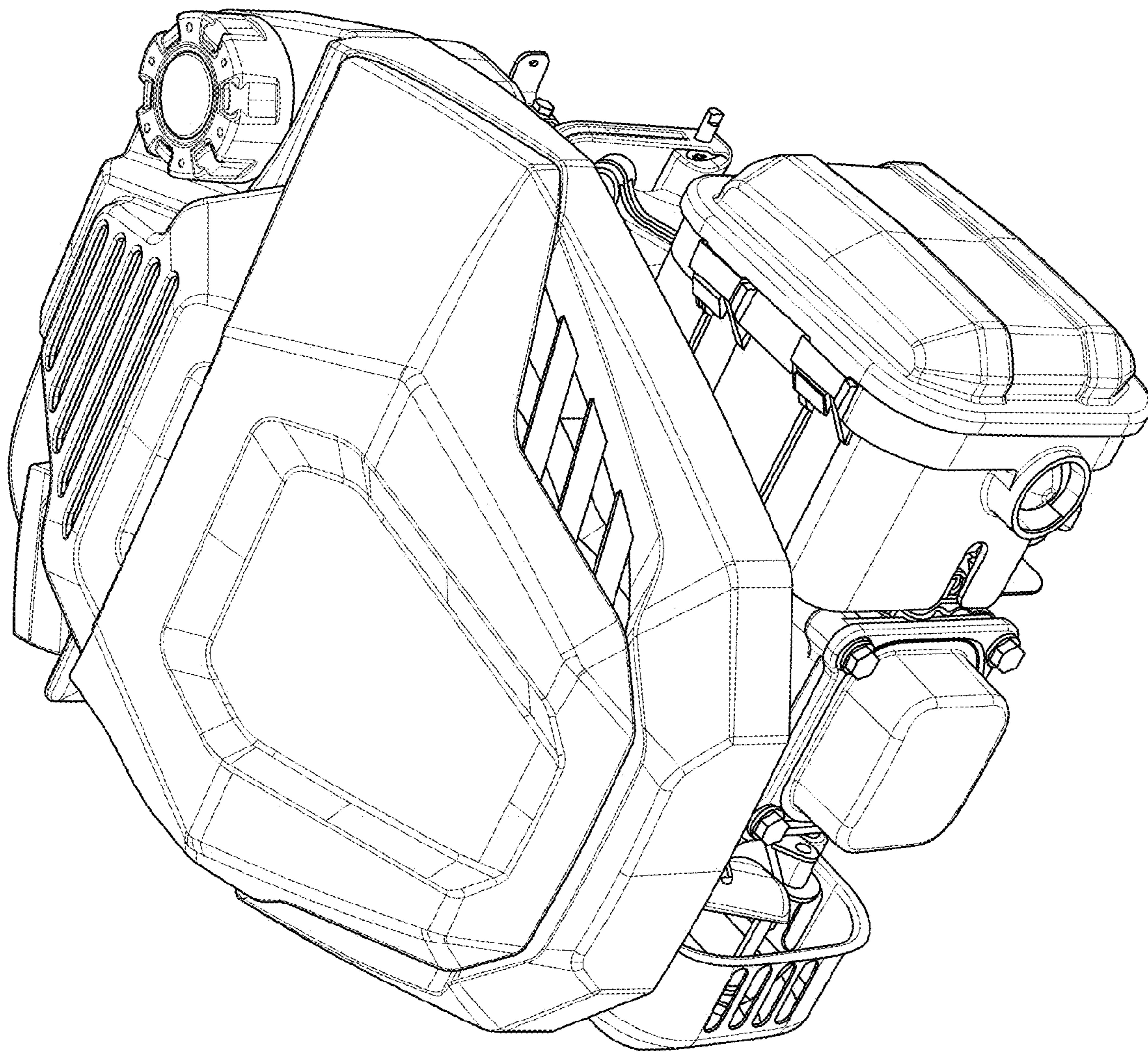


FIG. 8