



US00D912065S

(12) **United States Design Patent**  
**Swantek**

(10) **Patent No.:** **US D912,065 S**

(45) **Date of Patent:** **\*\* Mar. 2, 2021**

(54) **TABLETOP MOBILE DEVICE STAND**

(71) Applicant: **David Scott Swantek**, Point Pleasant Boro, NJ (US)

(72) Inventor: **David Scott Swantek**, Point Pleasant Boro, NJ (US)

(73) Assignee: **David Scott Swantek**, Point Pleasant Borough, NJ (US)

(\*\*) Term: **15 Years**

(21) Appl. No.: **29/652,202**

(22) Filed: **Jun. 9, 2020**

(51) **LOC (13) Cl.** ..... **08-07**

(52) **U.S. Cl.**  
USPC ..... **D14/447**

(58) **Field of Classification Search**  
USPC ..... D14/447, 432, 434, 439, 440, 451, 452,  
D14/457, 239, 253; D8/363, 373, 380;  
D6/406.3, 406.4, 406.5, 406.6  
CPC ..... A47B 21/04; A47B 2097/006; A47B  
2097/005; A47B 2023/049; A45C  
2011/002; A45C 2011/003; F16M  
2200/00; F16M 13/00

See application file for complete search history.

(56) **References Cited**

**U.S. PATENT DOCUMENTS**

D453,155 S \* 1/2002 Michel ..... D14/253  
D652,422 S \* 1/2012 Cheng ..... D14/447  
D654,921 S \* 2/2012 Malsan ..... D14/447

D661,309 S \* 6/2012 Murrer ..... D14/447  
D666,995 S \* 9/2012 TerMeer ..... D14/217  
D677,669 S \* 3/2013 Liu ..... D14/447  
D681,626 S \* 5/2013 Zehner ..... D14/253  
D699,246 S \* 2/2014 Ringlein ..... D14/447  
D706,784 S \* 6/2014 Mills ..... D14/447  
D801,345 S \* 10/2017 Kujawski ..... D14/447  
D866,547 S \* 11/2019 Godman ..... D14/253  
D892,108 S \* 8/2020 Chih ..... D14/253  
D892,129 S \* 8/2020 Bankov ..... D14/447

\* cited by examiner

*Primary Examiner* — Angela J Lee

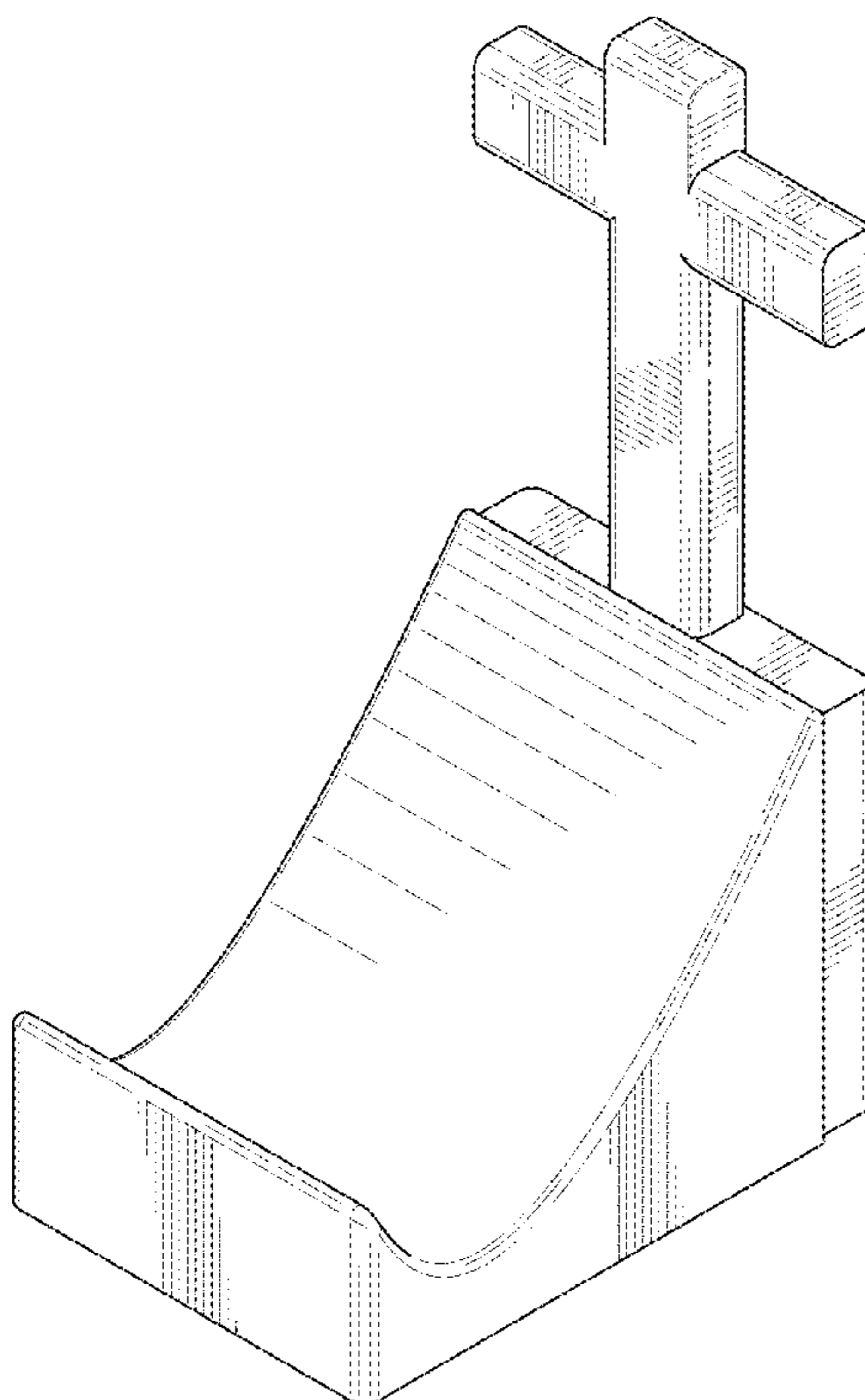
(57) **CLAIM**

The ornamental design for a tabletop mobile device stand, as shown and described.

**DESCRIPTION**

FIG. 1 is a perspective view of a tabletop mobile device stand with a smartphone in vertical position;  
FIG. 2 is a perspective view of a tabletop mobile device stand with a smartphone in horizontal position;  
FIG. 3 is a perspective view of a tabletop mobile device stand;  
FIG. 4 is a front view thereof;  
FIG. 5 is a first side view thereof;  
FIG. 6 is a back view thereof;  
FIG. 7 is a second side view thereof;  
FIG. 8 is a top view thereof; and,  
FIG. 9 is a bottom view thereof.  
The smartphone shown in broken line forms no part of the claimed design.

**1 Claim, 8 Drawing Sheets**



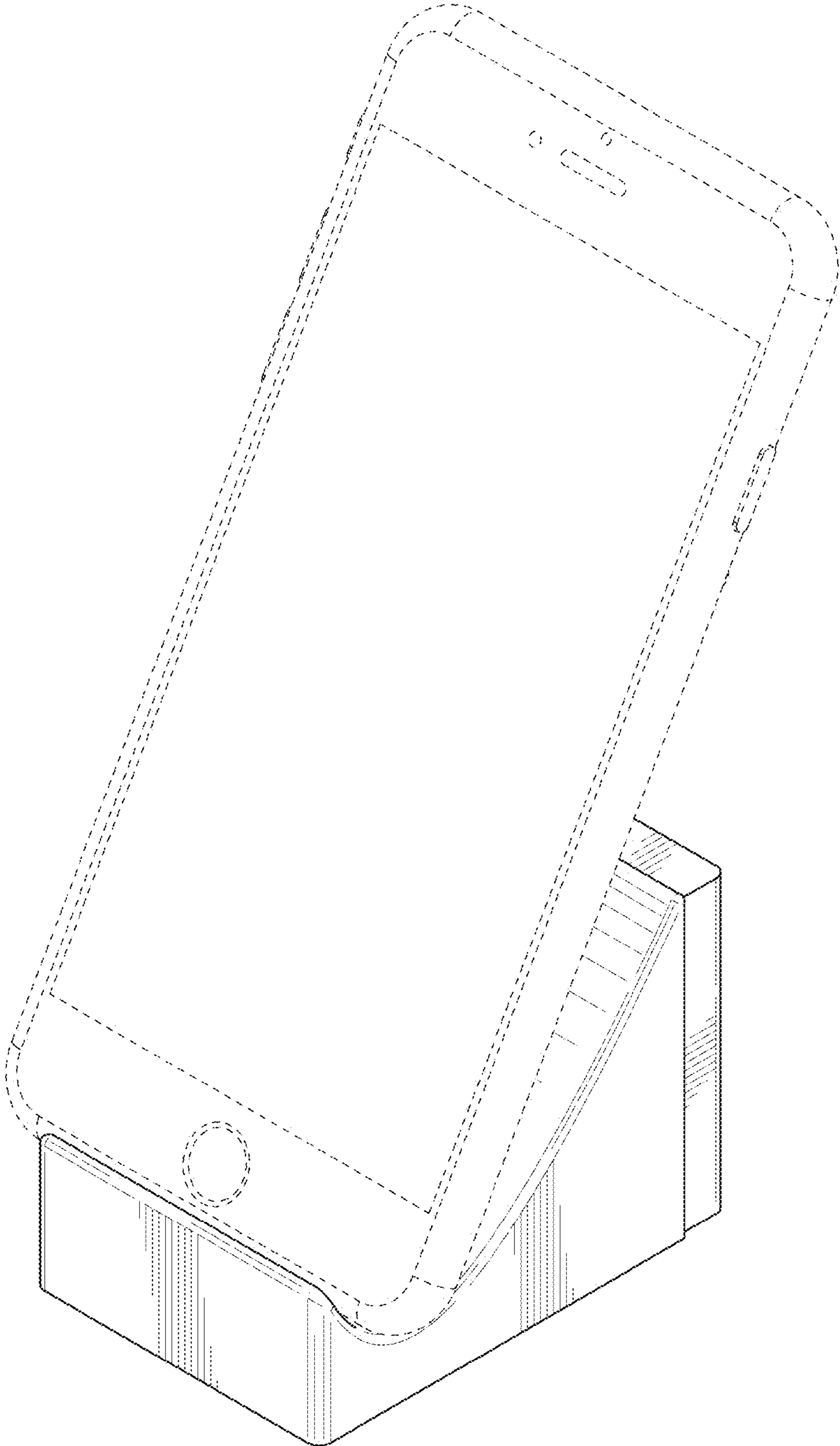


FIG. 1

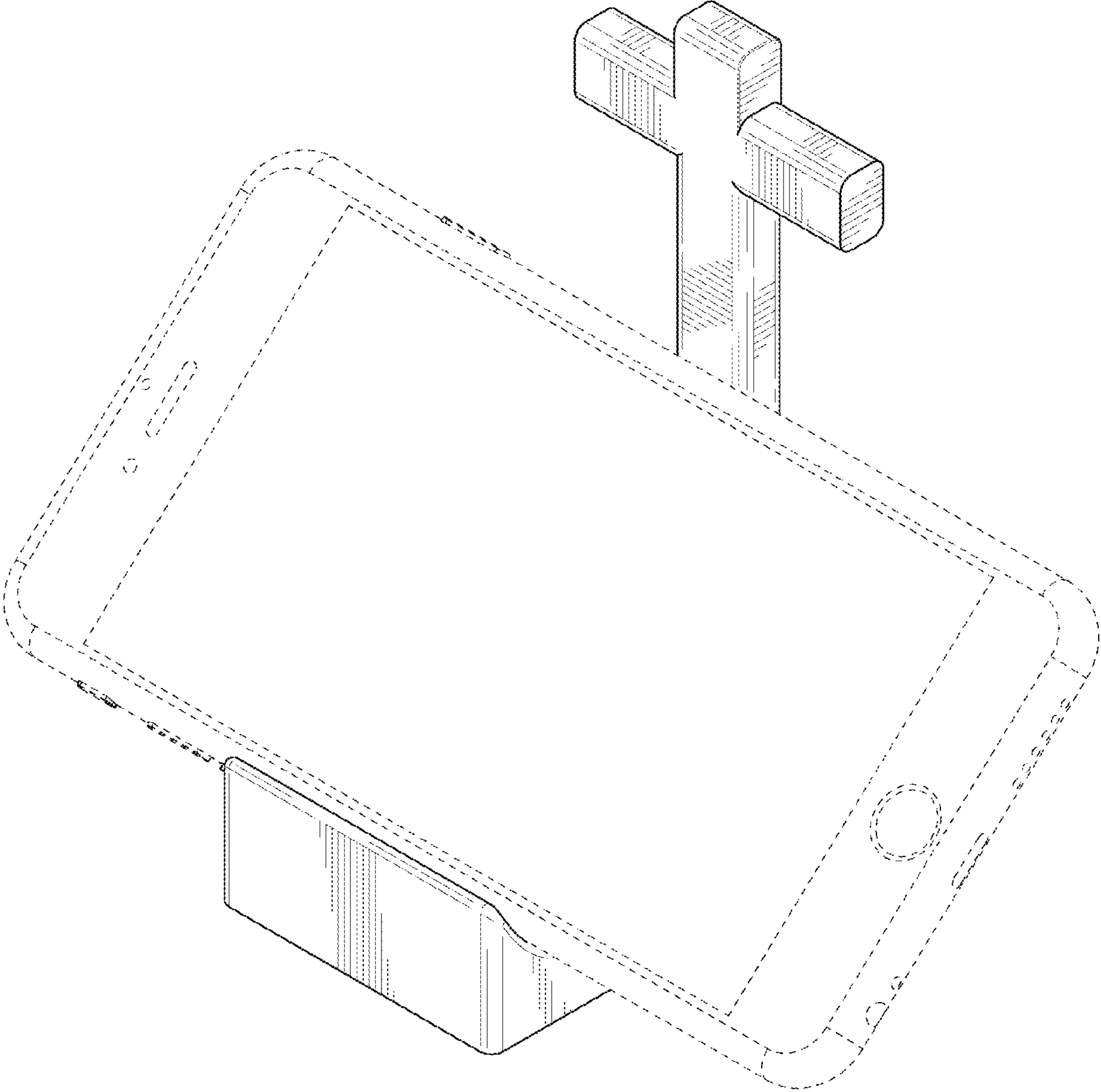


FIG. 2

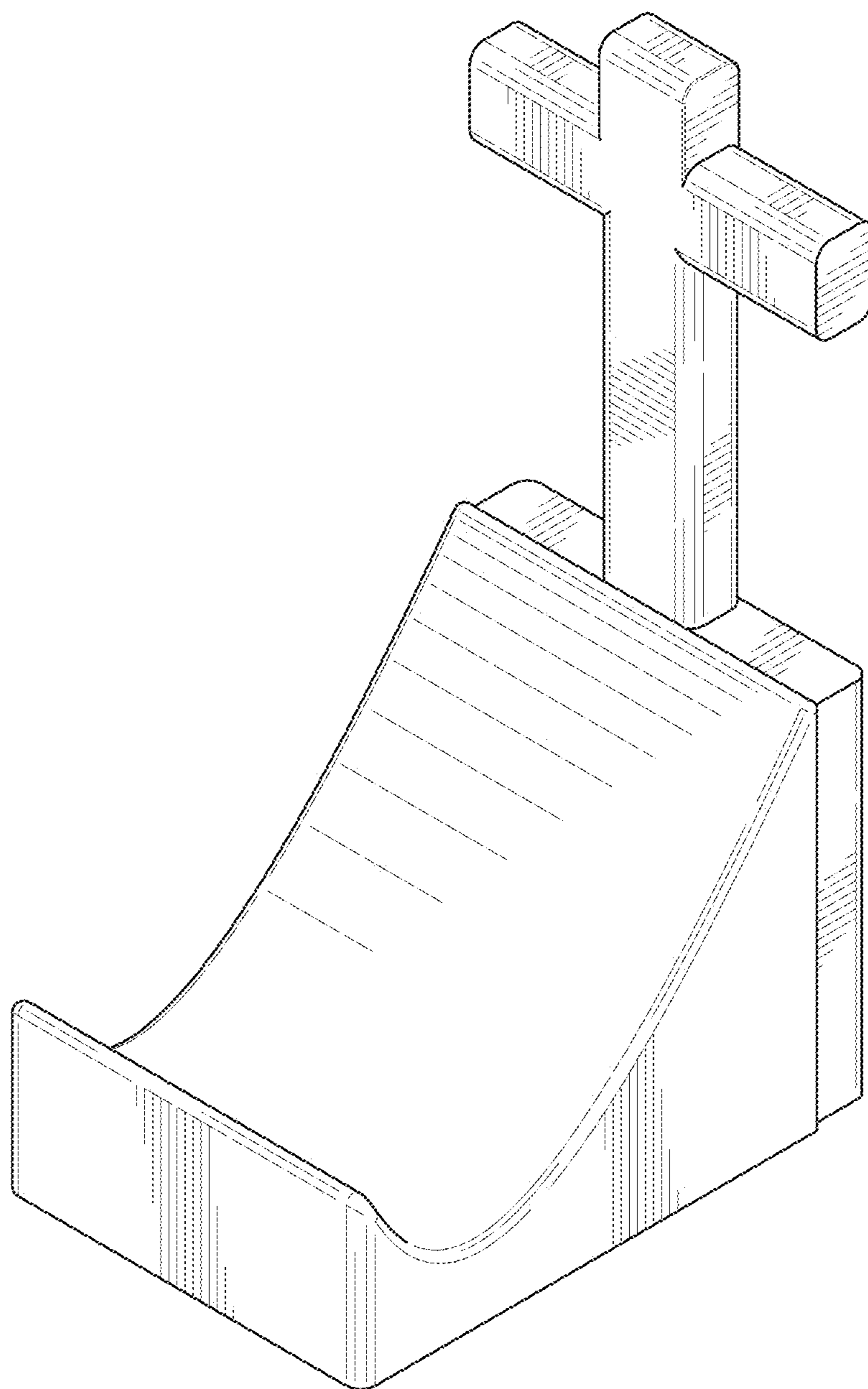


FIG. 3

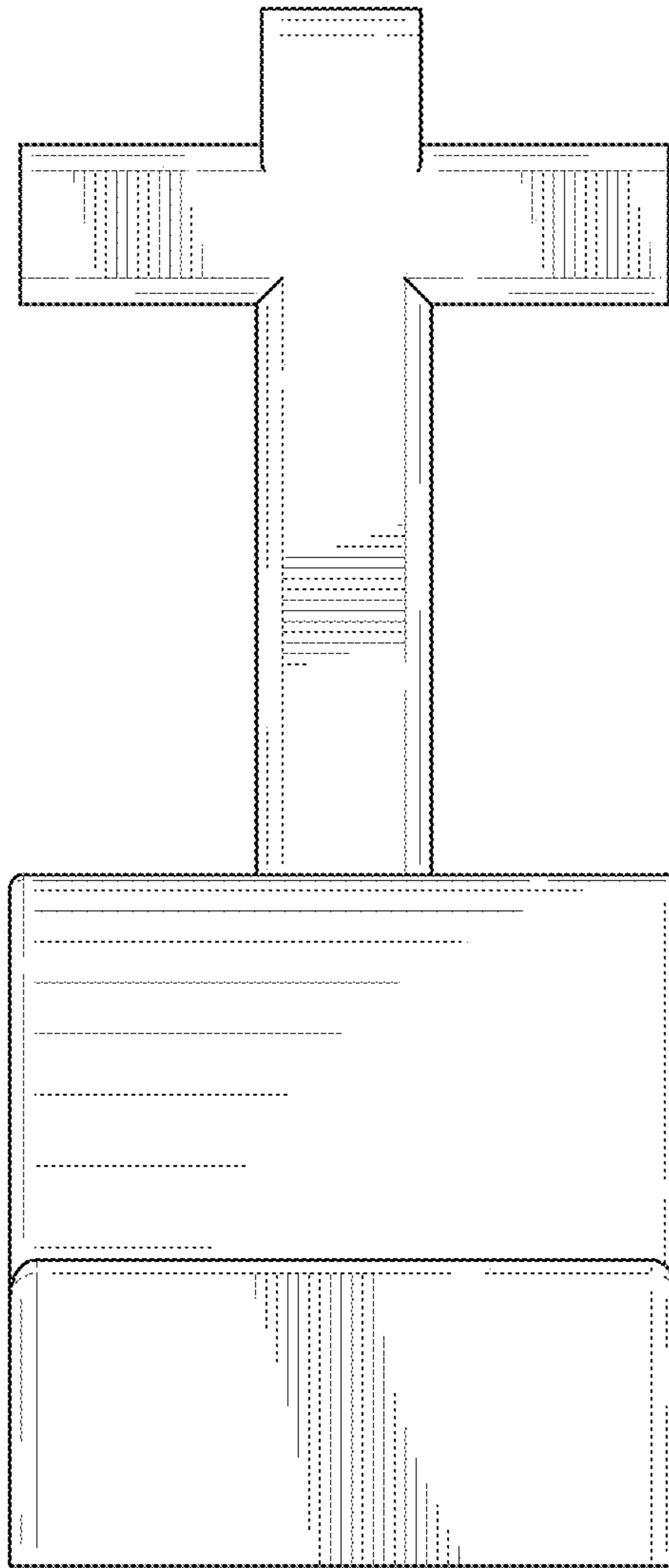


FIG. 4

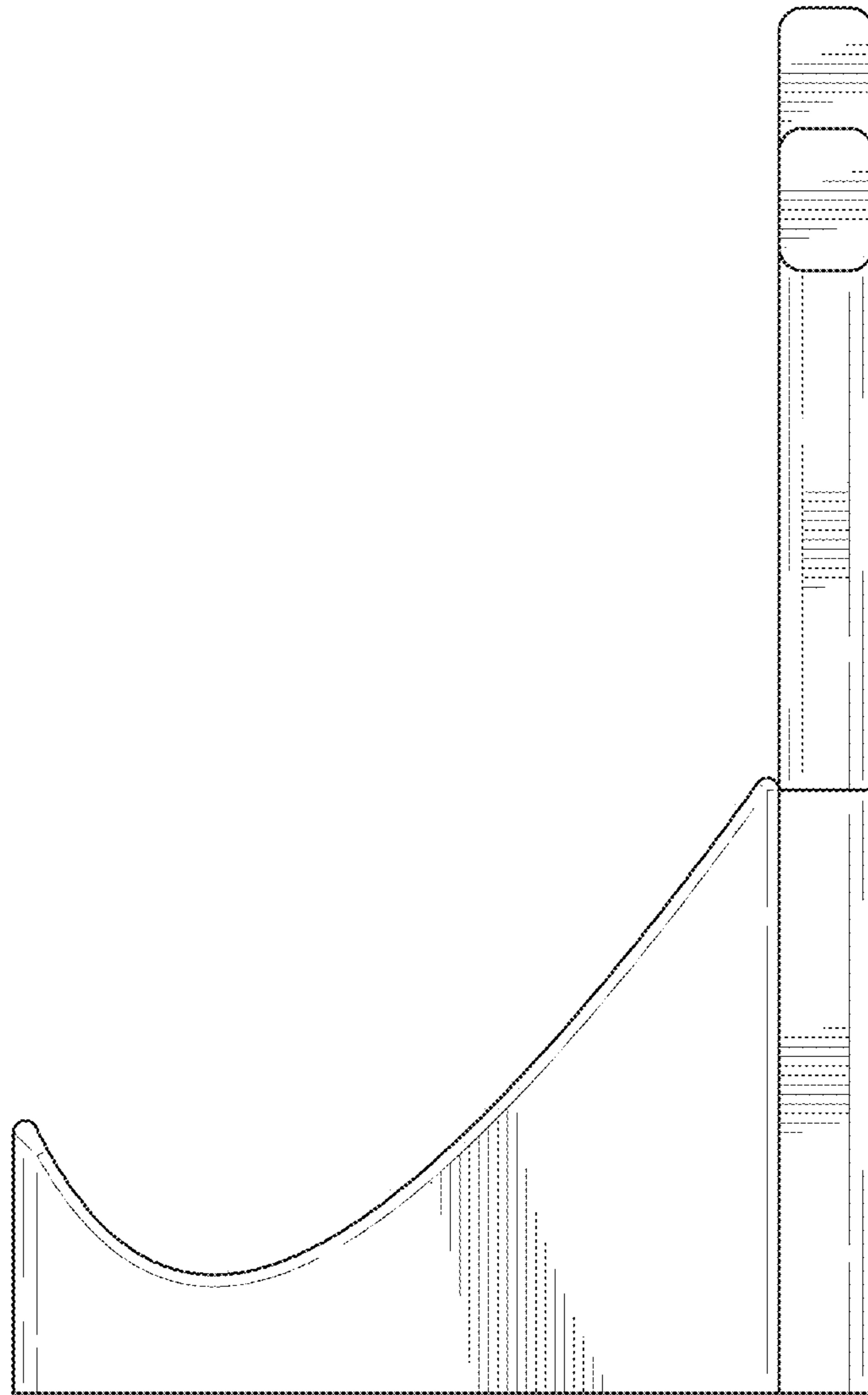


FIG. 5



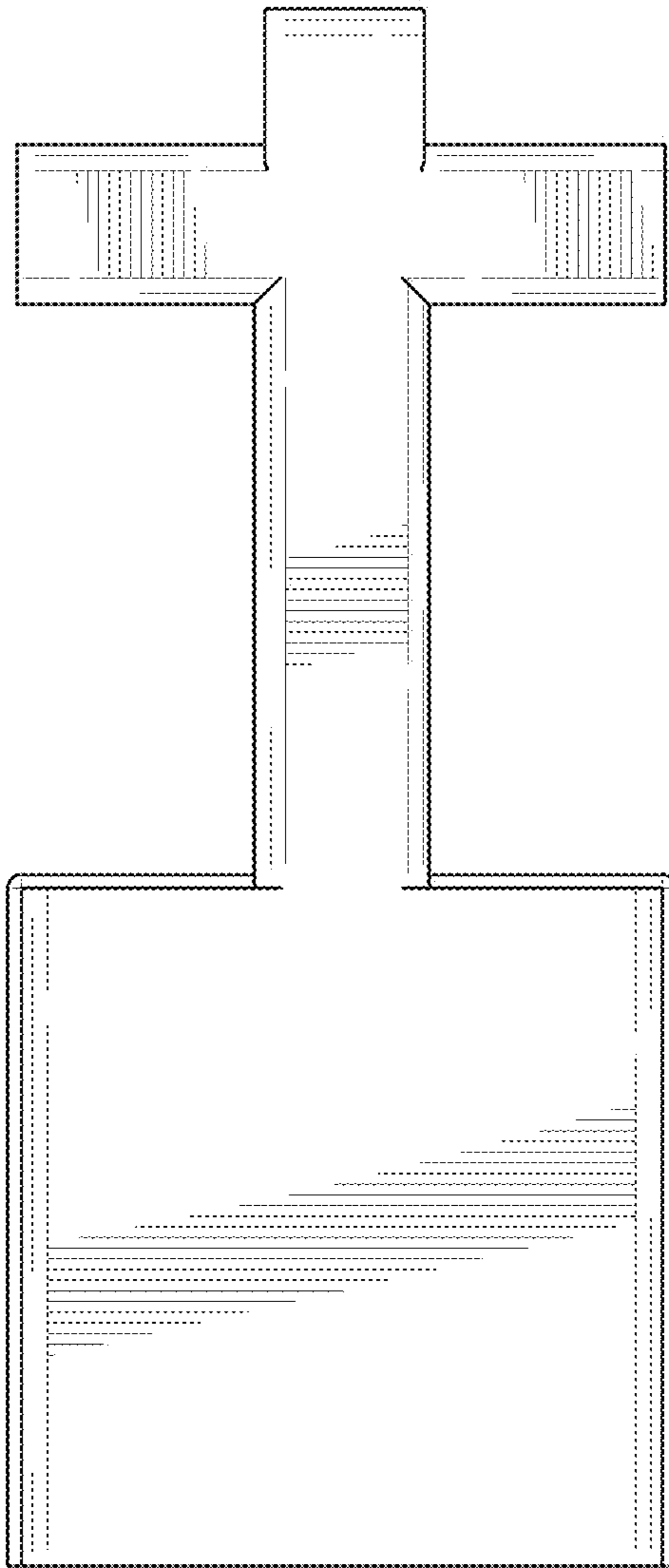


FIG. 6

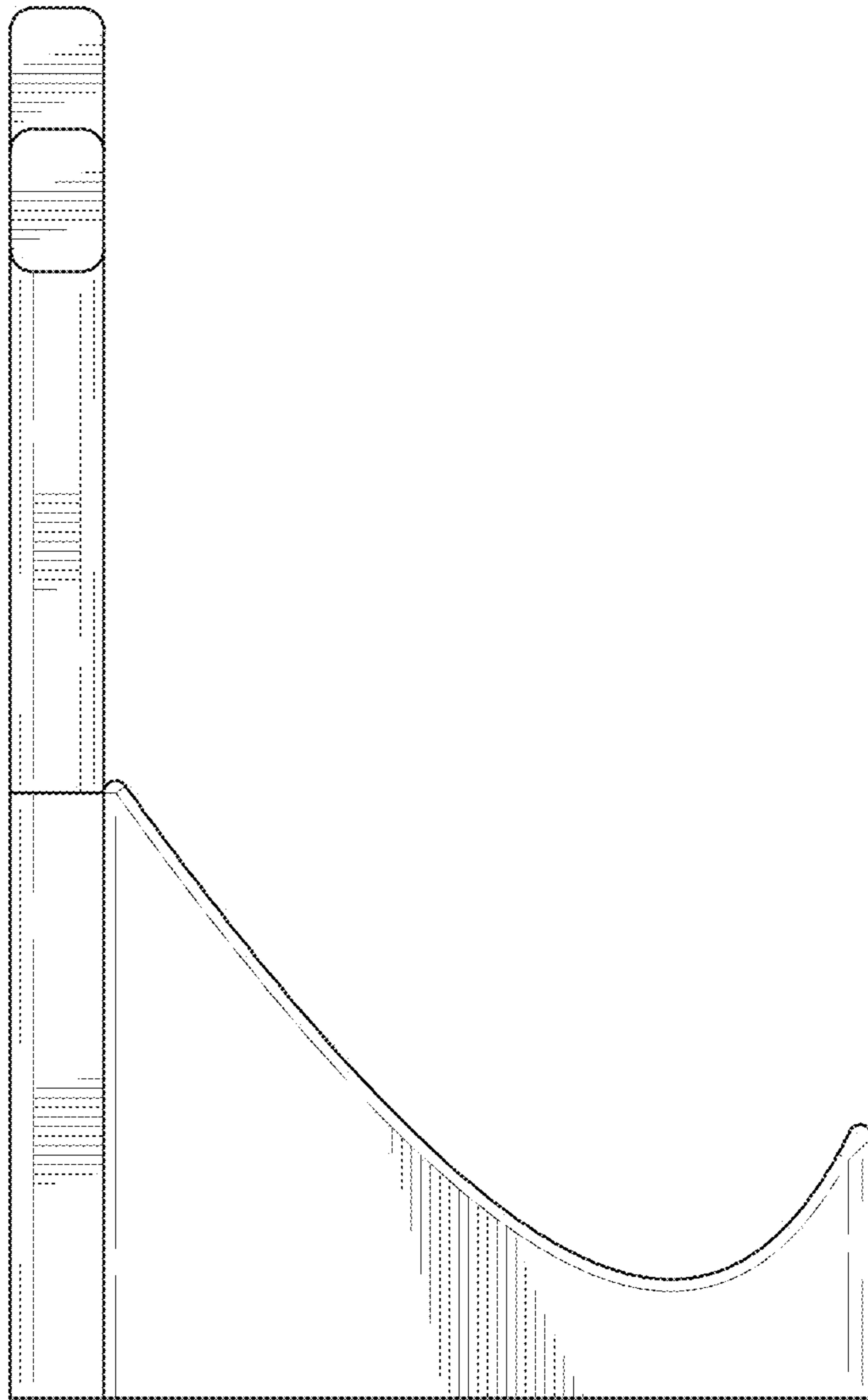


FIG. 7



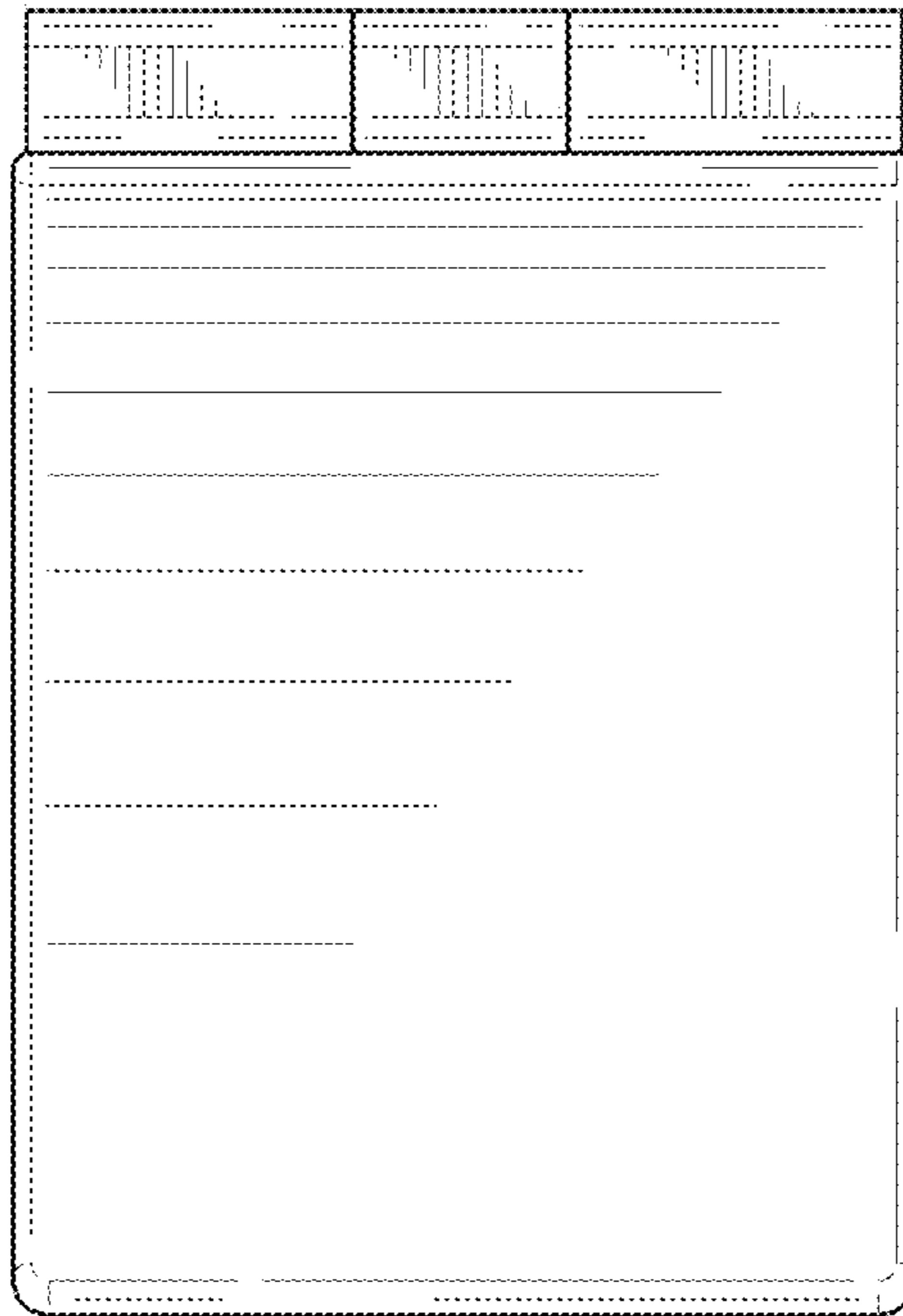


FIG. 8



FIG. 9