



US00D912064S

(12) **United States Design Patent**
DeFazio et al.

(10) **Patent No.:** **US D912,064 S**
(45) **Date of Patent:** **** Mar. 2, 2021**

(54) **TABLET STAND**

- (71) Applicant: **Shopify Inc.**, Ottawa (CA)
- (72) Inventors: **Michael Joseph DeFazio**, Fonthill (CA); **David Gervis Waddell**, Toronto (CA); **Darrin Henein**, Toronto (CA); **Colin Roberts**, Ottawa (CA); **Scott Gales**, Masham (CA); **Mark Boycott**, Ottawa (CA)
- (73) Assignee: **Shopify Inc.**, Ottawa (CA)
- (**) Term: **15 Years**
- (21) Appl. No.: **29/646,784**
- (22) Filed: **May 7, 2018**
- (51) **LOC (13) Cl.** **08-07**
- (52) **U.S. Cl.**
USPC **D14/447**
- (58) **Field of Classification Search**
USPC D14/447, 432, 434, 439, 440, 451, 452, D14/457, 239; D8/363, 373, 380;
(Continued)

(56) **References Cited**

U.S. PATENT DOCUMENTS

- D652,834 S * 1/2012 Jones D14/434
 - D655,293 S * 3/2012 Gioscia D14/434
- (Continued)

Primary Examiner — Angela J Lee

(74) *Attorney, Agent, or Firm* — GTC Law Group PC & Affiliates

(57) **CLAIM**

The ornamental design for a tablet stand, as shown.

DESCRIPTION

FIG. 1 is a right, front, top perspective view of the tablet holder portion and base portion of the new design;

FIG. 2 is a front view of the tablet holder portion and base portion of the new design;

FIG. 3 is a right side view of the tablet holder portion and base portion of the new design;

FIG. 4 is a left view of the tablet holder portion and base portion of the new design;

FIG. 5 is a rear view of the tablet holder portion and base portion of the new design;

FIG. 6 is a top view of the tablet holder portion and base portion of the new design;

FIG. 7 is a bottom view of the tablet holder portion and base portion of the new design;

FIG. 8 is a right, front, top perspective view of the tablet holder portion and base portion according to a second embodiment of the new design;

FIG. 9 is a front view of the tablet holder portion and base portion according to a second embodiment of the new design;

FIG. 10 is a right side view of the tablet holder portion and base portion according to a second embodiment of the new design;

FIG. 11 is a left view of the tablet holder portion and base portion according to a second embodiment of the new design;

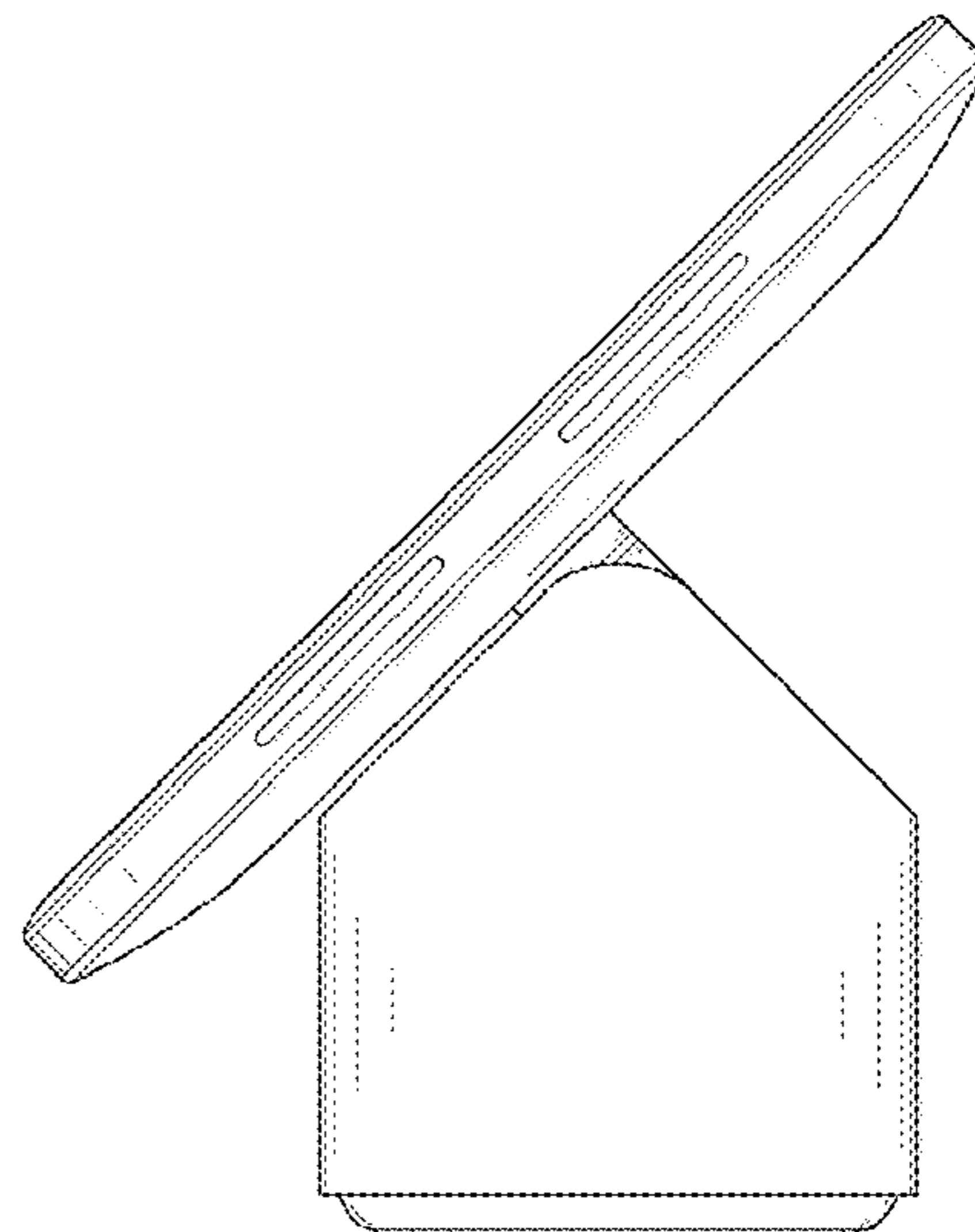
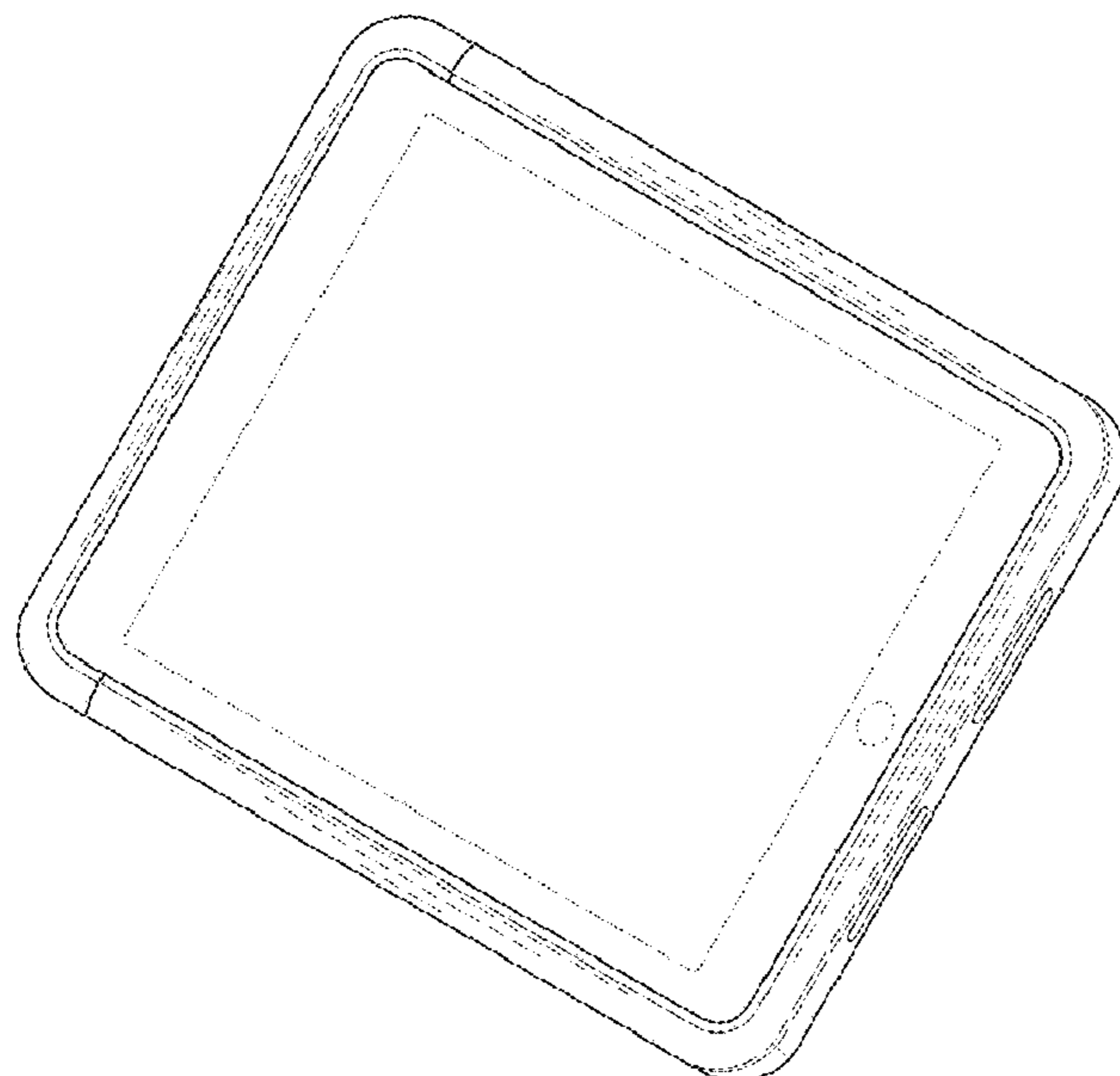
FIG. 12 is a rear view of the tablet holder portion and base portion according to a second embodiment of the new design;

FIG. 13 is a top view of the tablet holder portion and base portion according to a second embodiment of the new design; and,

FIG. 14 is a bottom view of the tablet holder portion and base portion according to a second embodiment of the new design.

The broken lines in FIGS. 1-14 are for environmental purposes only and form no part of the claimed design.

1 Claim, 14 Drawing Sheets



(58) **Field of Classification Search**

USPC D6/406.3, 406.4, 406.5, 406.6; D12/415;
D21/330, 331
CPC A47B 21/04; A47B 2097/006; A47B
2097/005; A47B 2023/049; A45C
2011/002; A45C 2011/003; F16M
2200/00; F16M 13/00

See application file for complete search history.

(56) **References Cited**

U.S. PATENT DOCUMENTS

D687,832	S	*	8/2013	Edwards	D14/447
D693,815	S	*	11/2013	Son	D14/434
D699,246	S	*	2/2014	Ringlein	D14/447
D720,343	S	*	12/2014	Nichols	D14/253
D722,062	S	*	2/2015	Zwerner	D14/447
D752,595	S	*	3/2016	Heckler	D14/447
D763,263	S	*	8/2016	Wierenga	D14/434
D780,186	S	*	2/2017	Lee	D14/447
D799,492	S	*	10/2017	Seiss	D14/447
D810,816	S	*	2/2018	Chen	D18/4.4

* cited by examiner

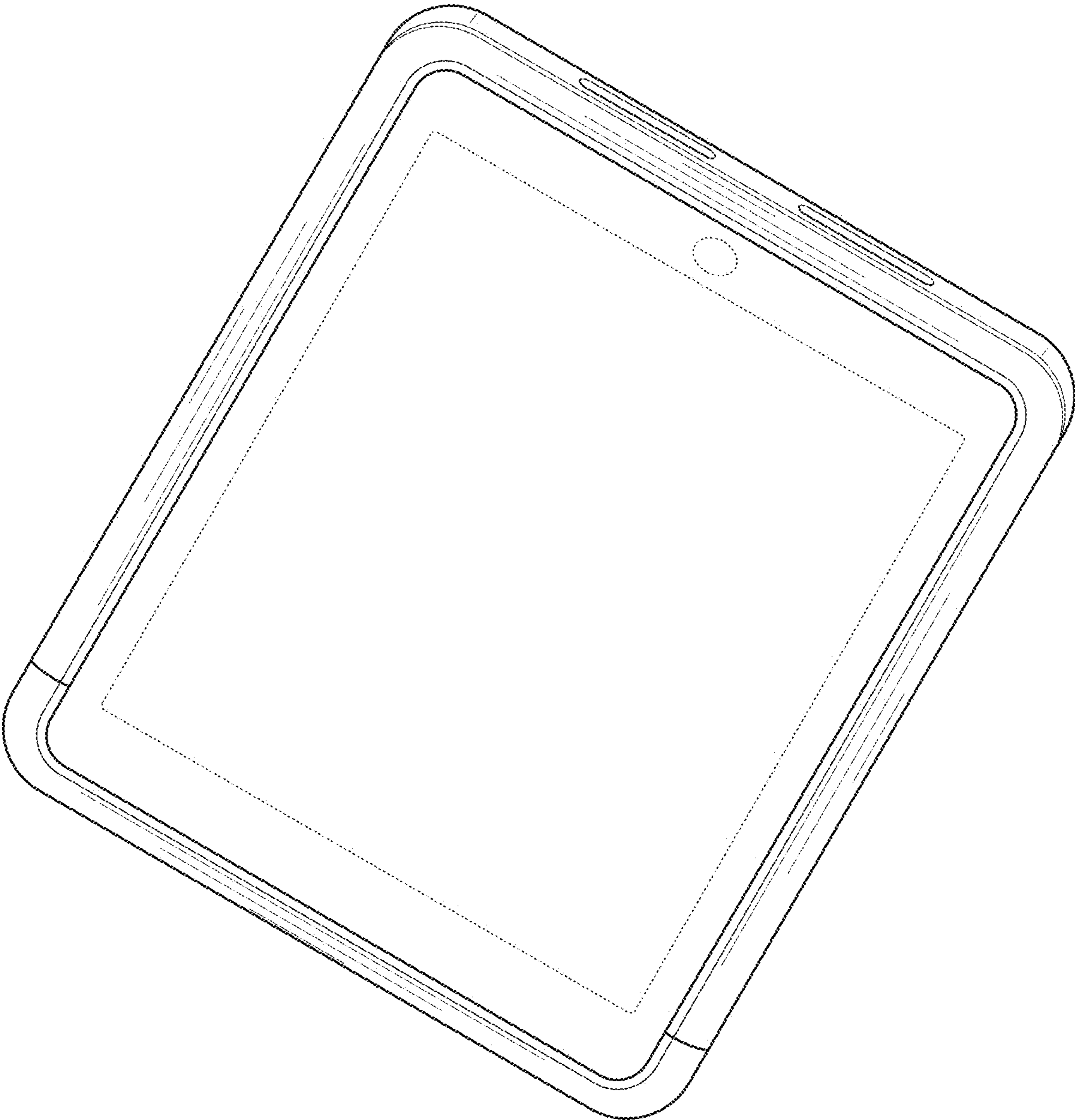


FIG. 1

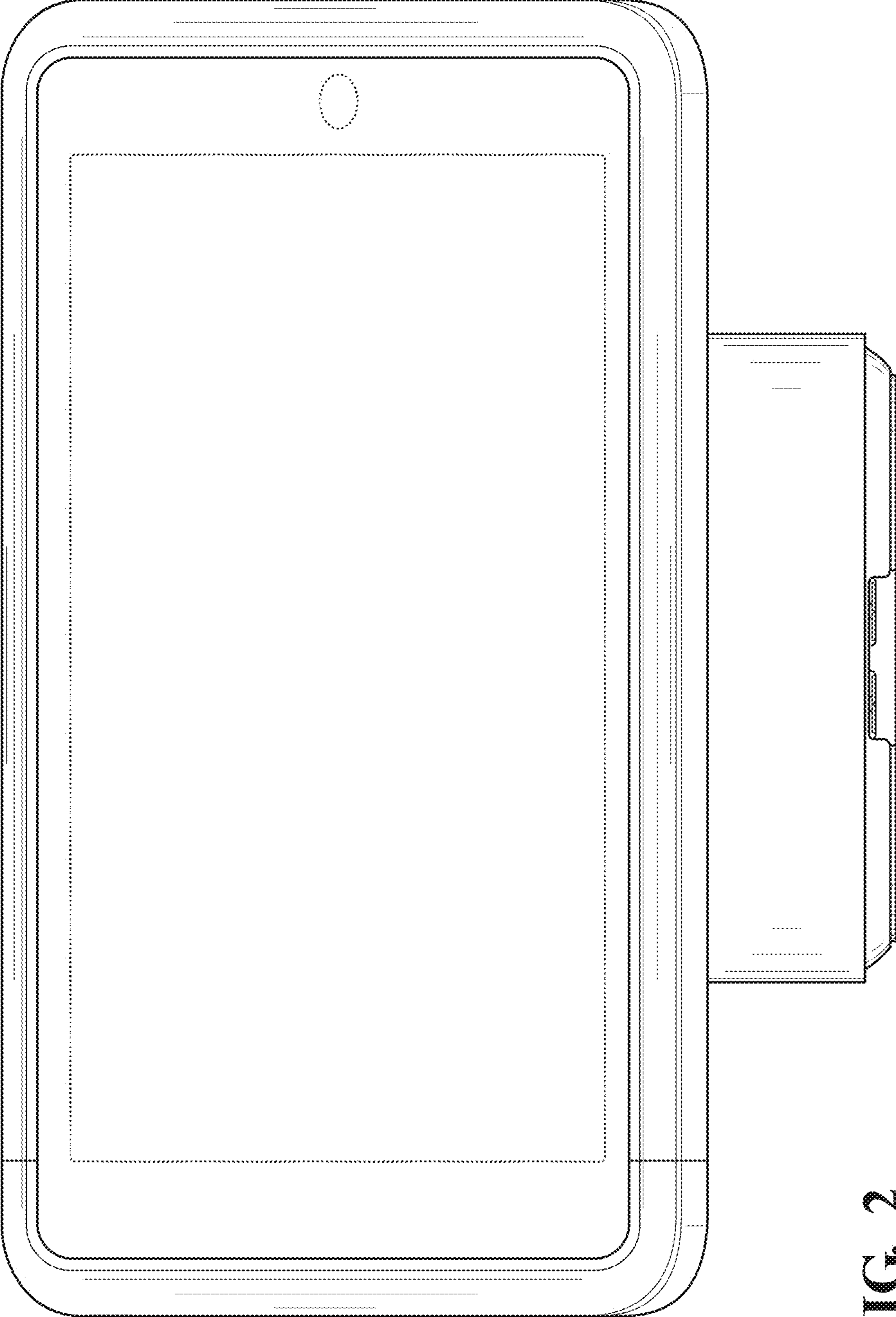


FIG. 2

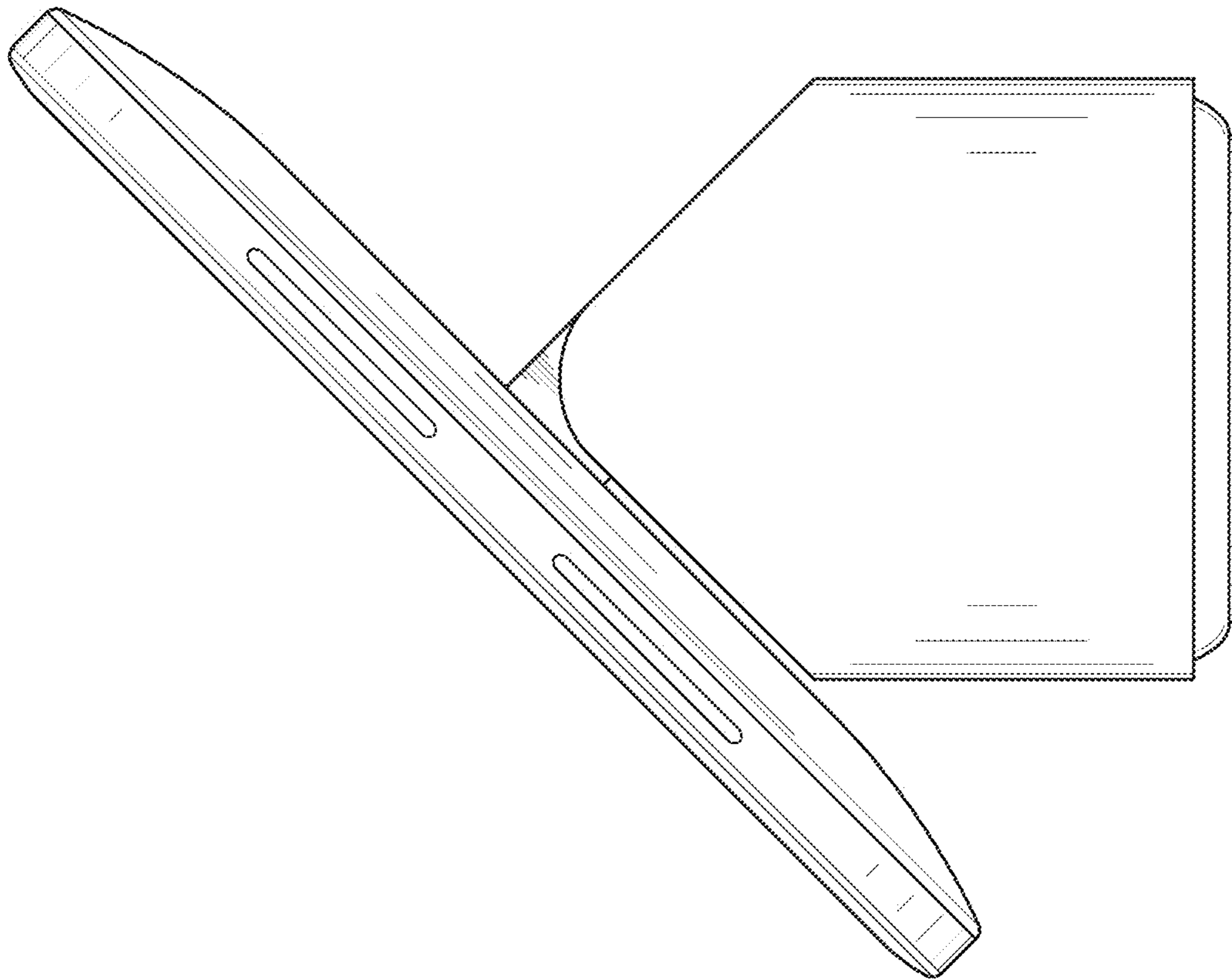


FIG. 3

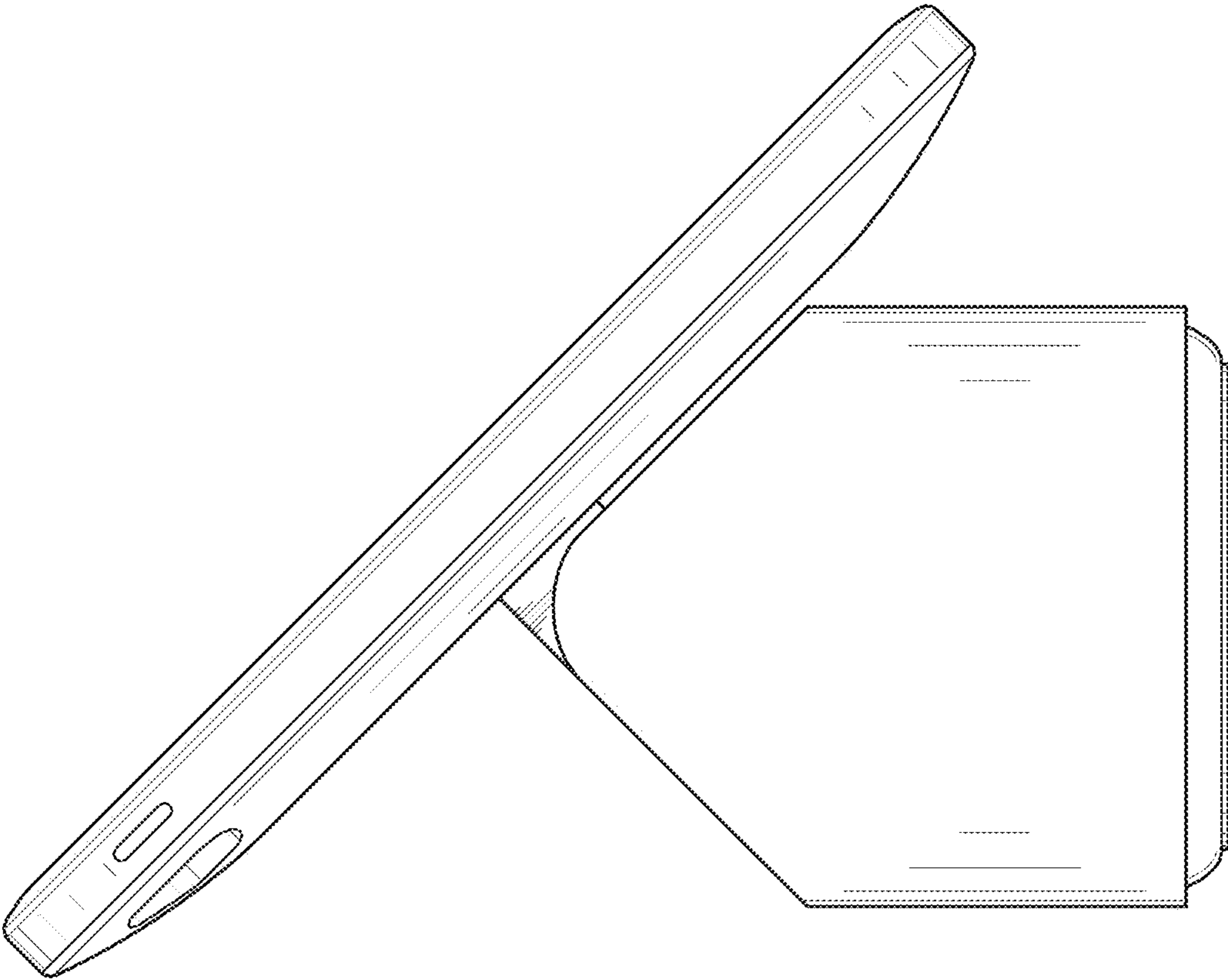


FIG. 4

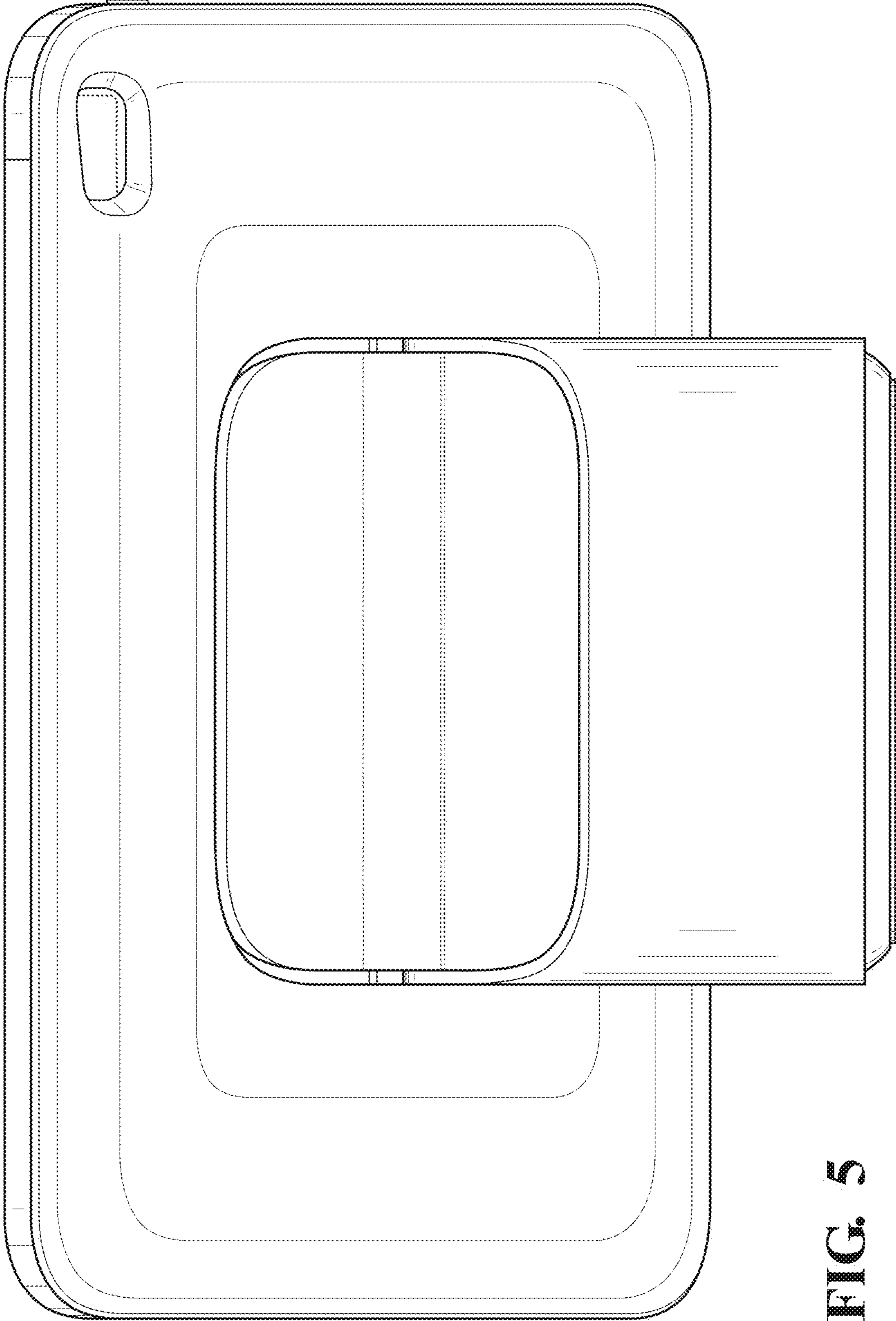


FIG. 5

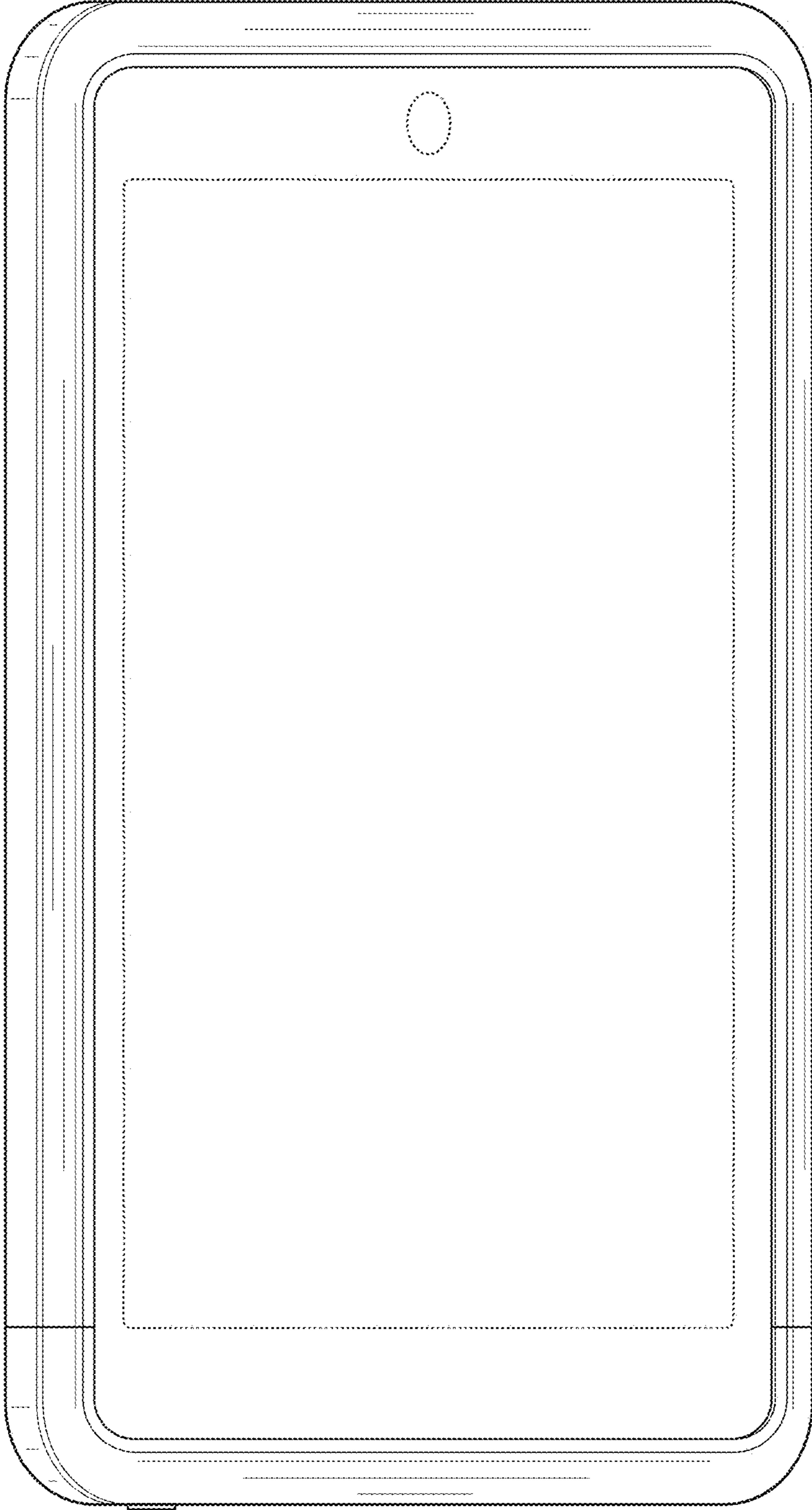


FIG. 6

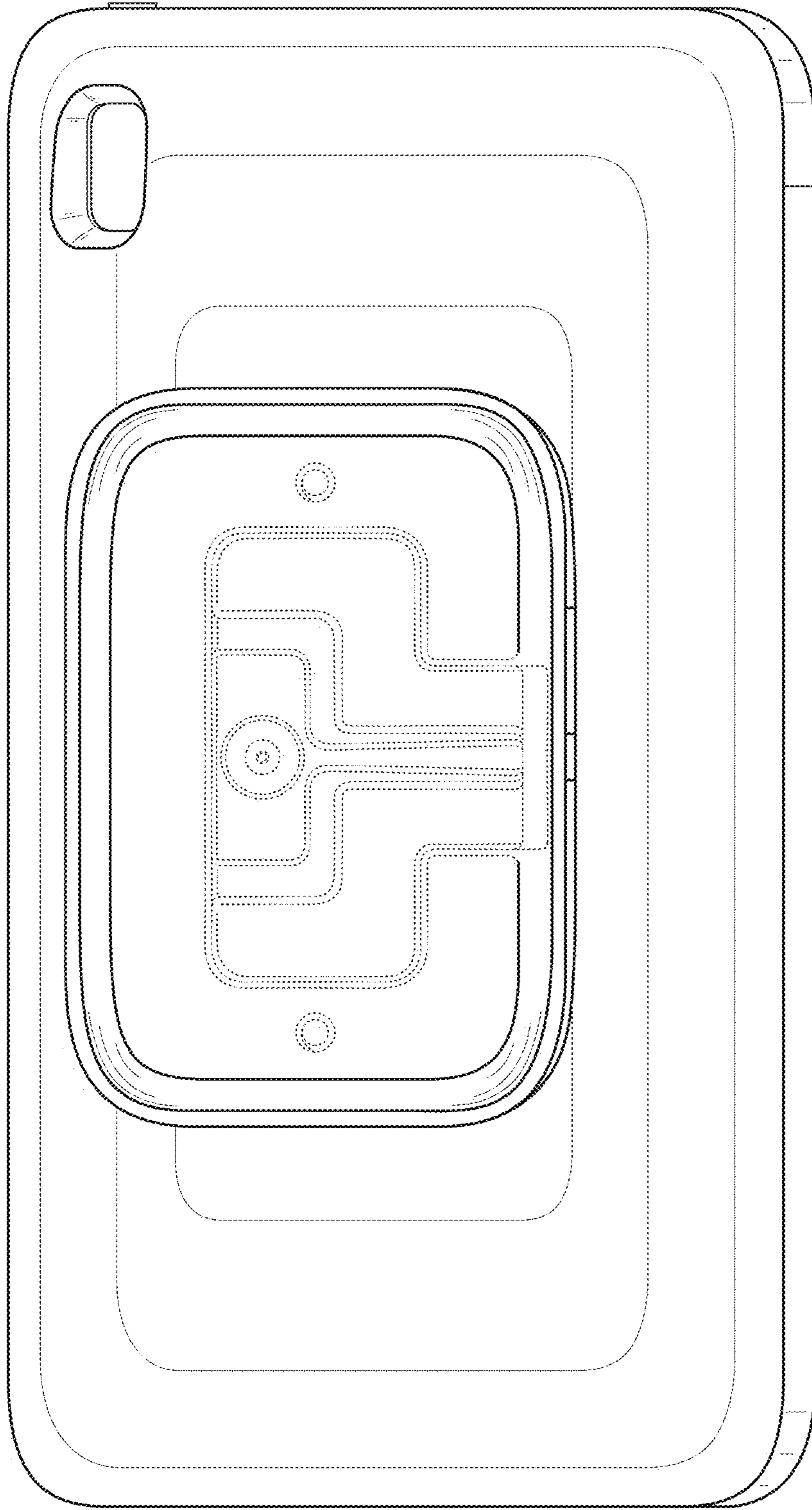


FIG. 7



FIG. 8

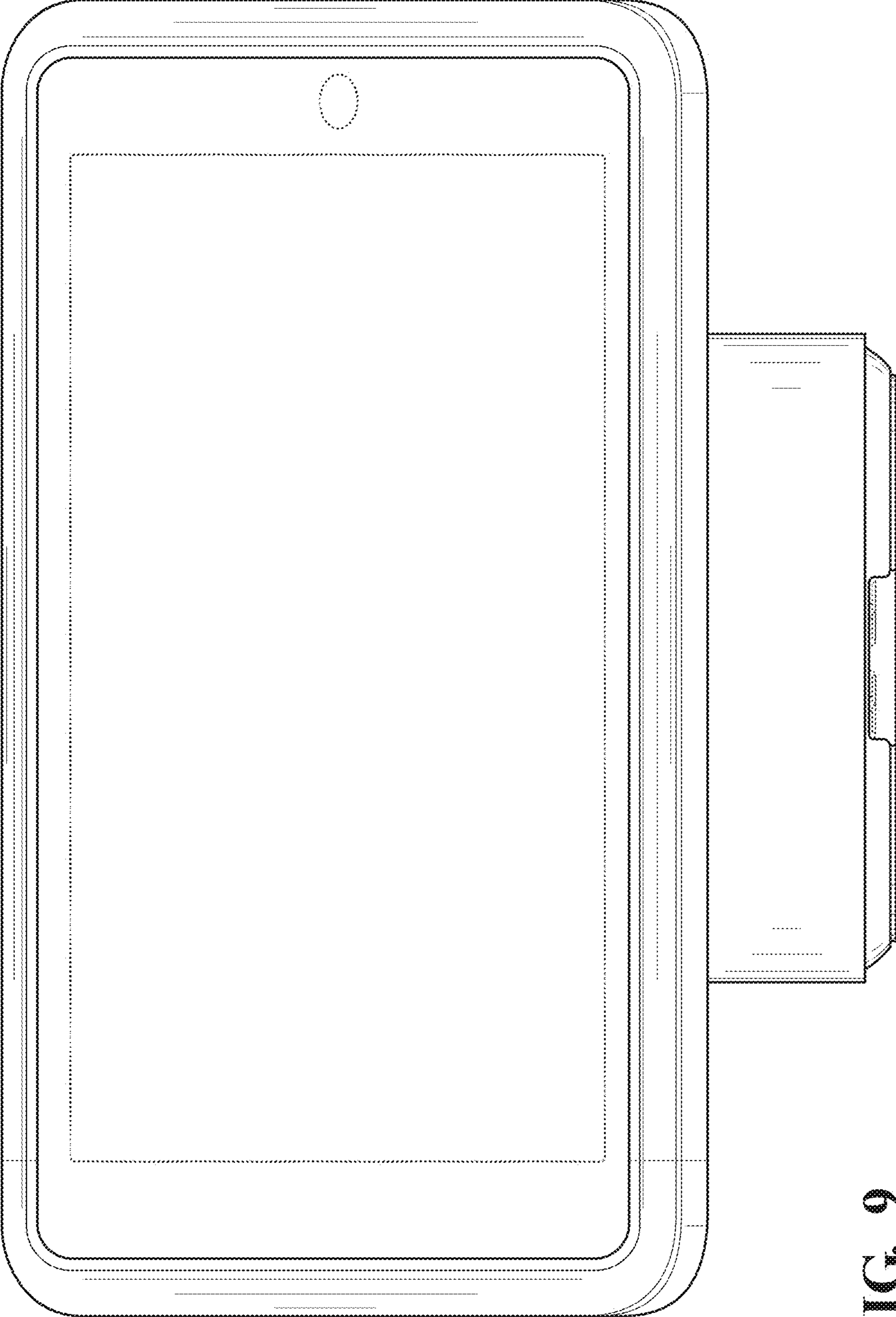


FIG. 9

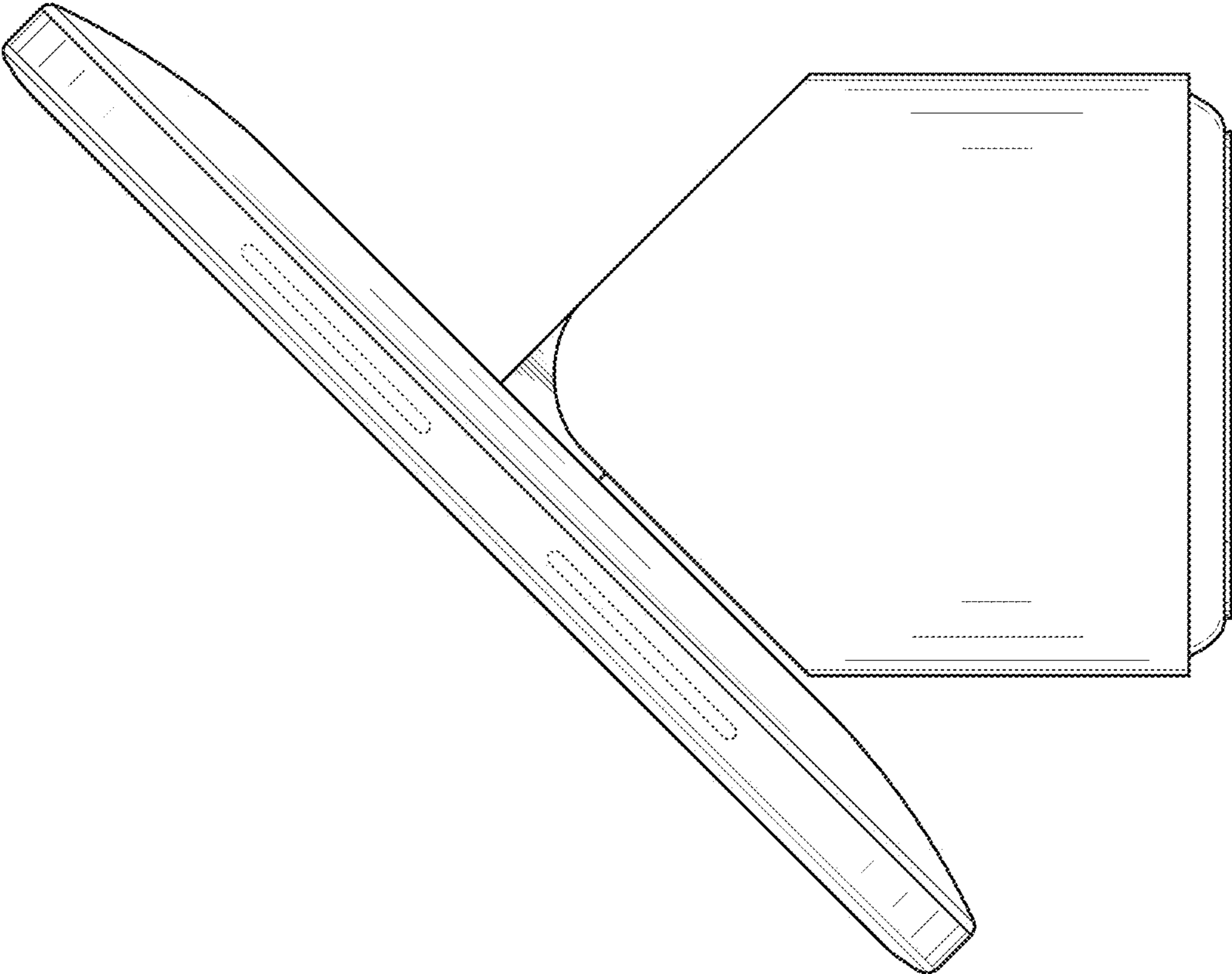


FIG. 10

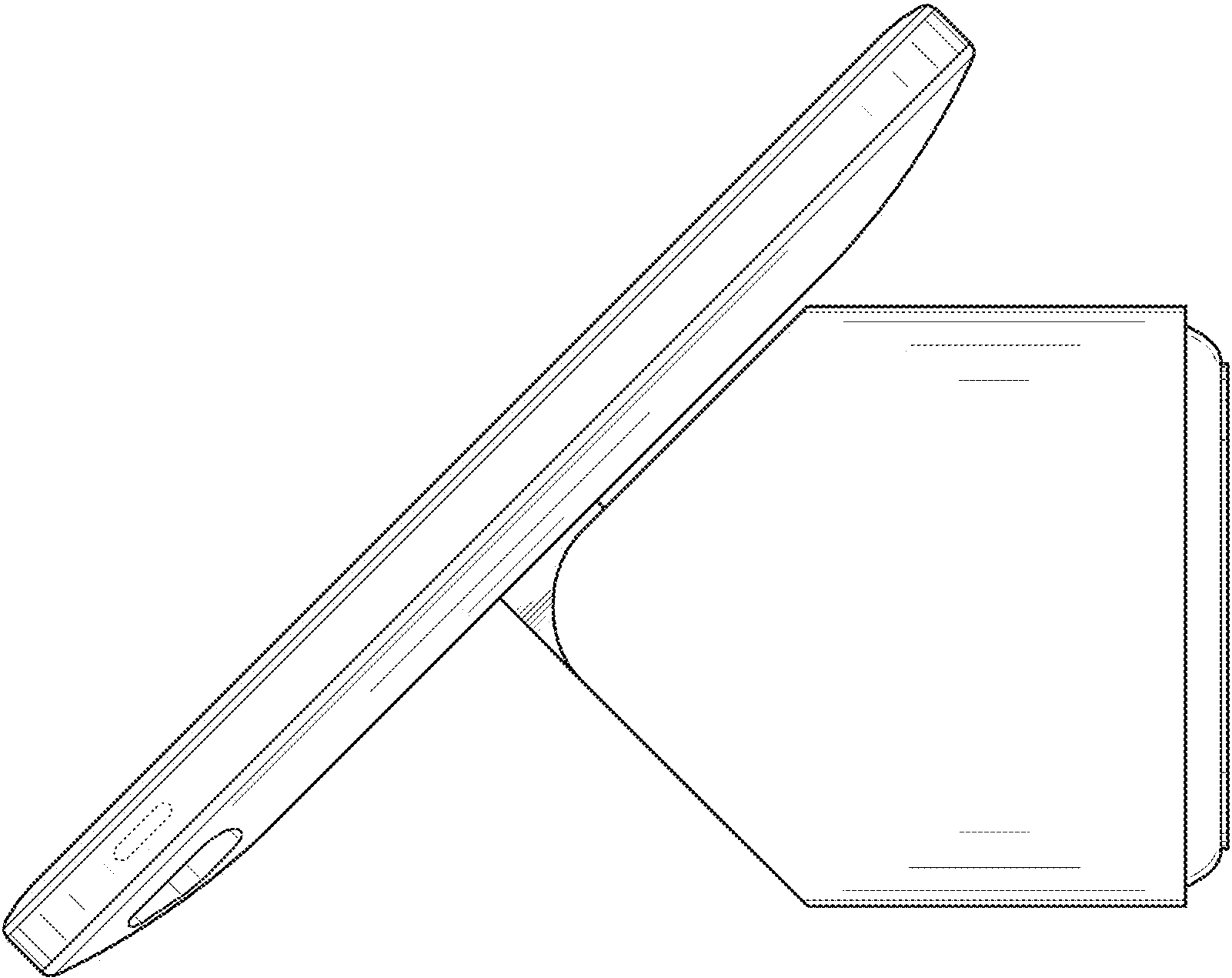


FIG. 11

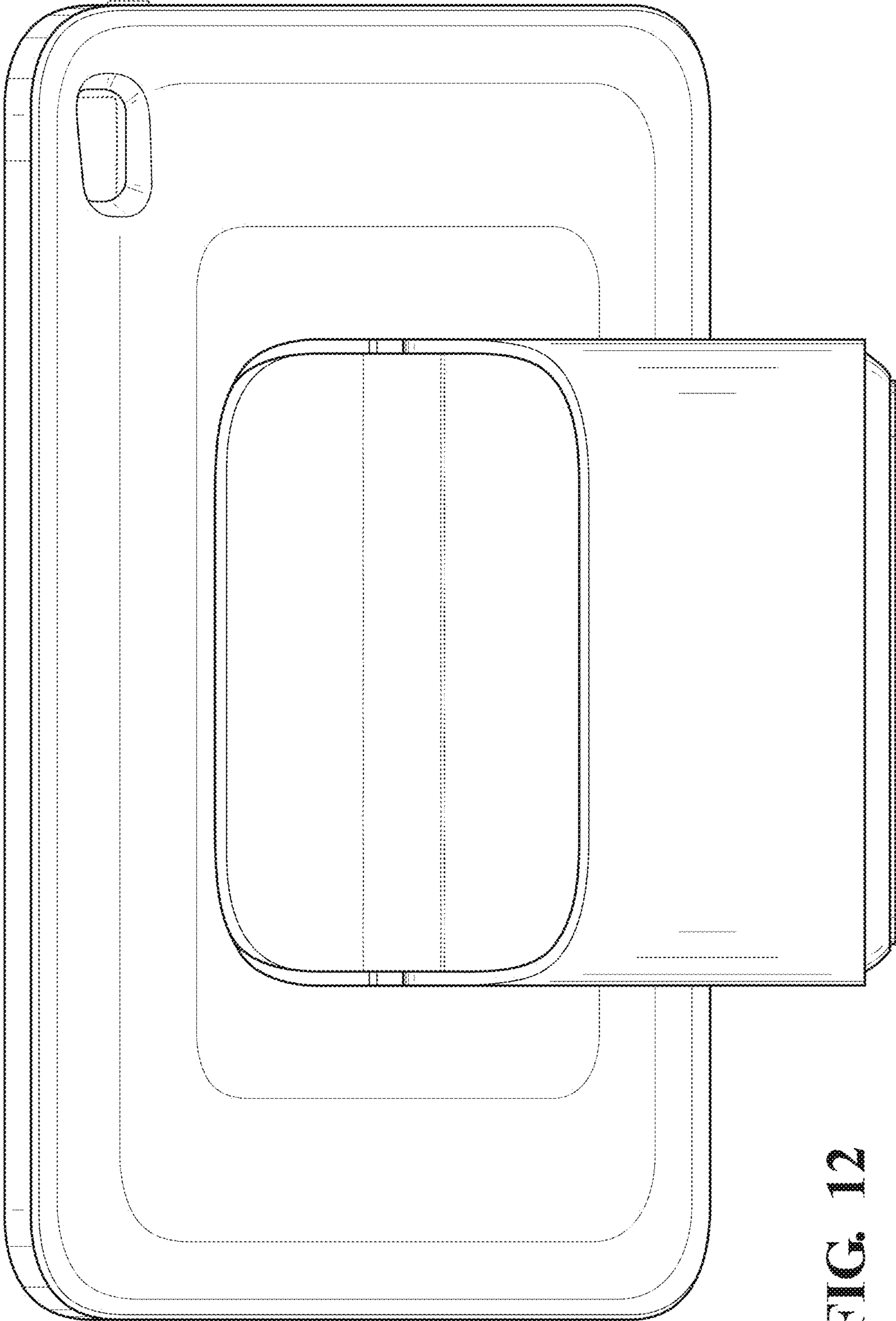


FIG. 12

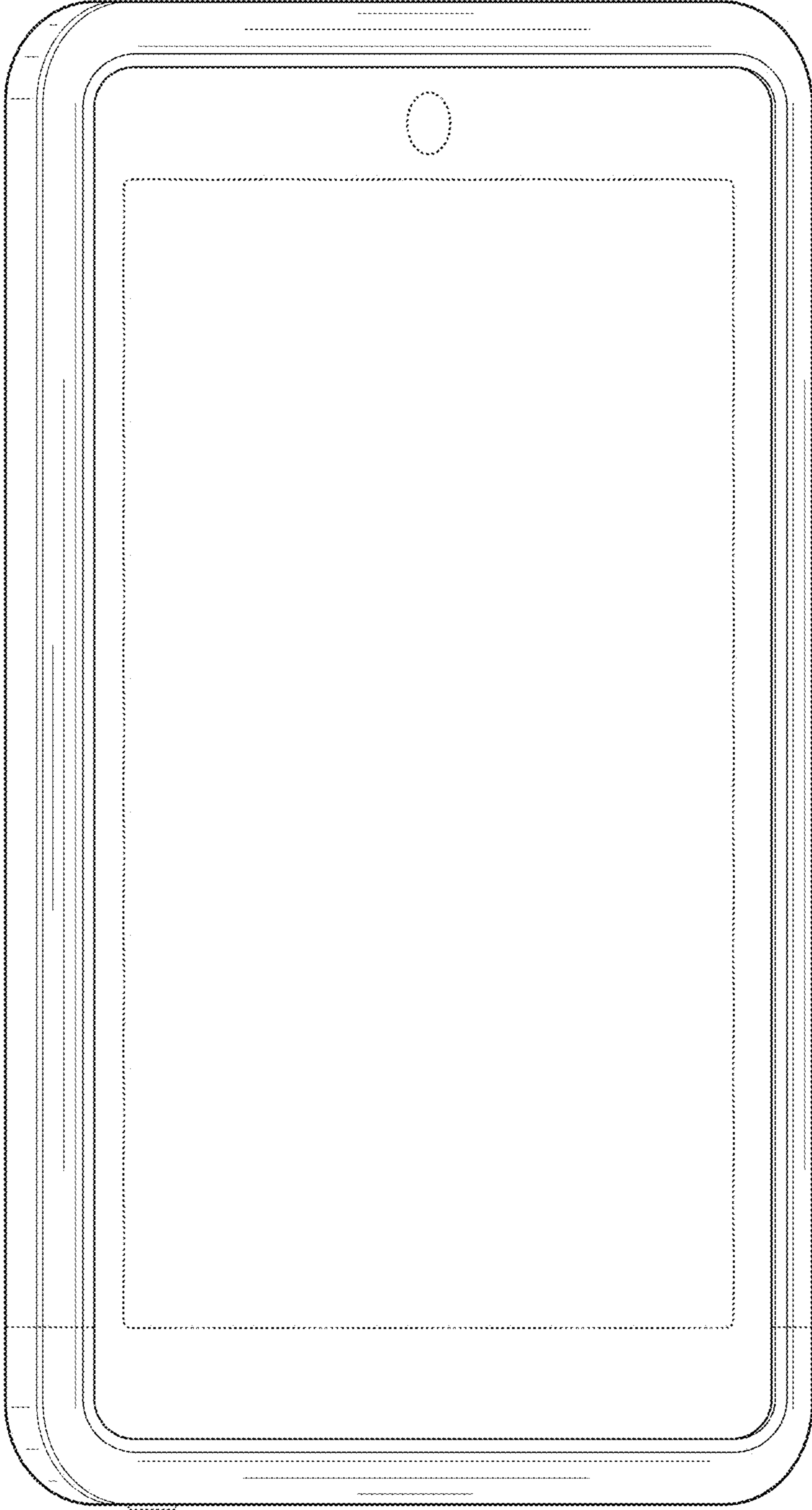


FIG. 13

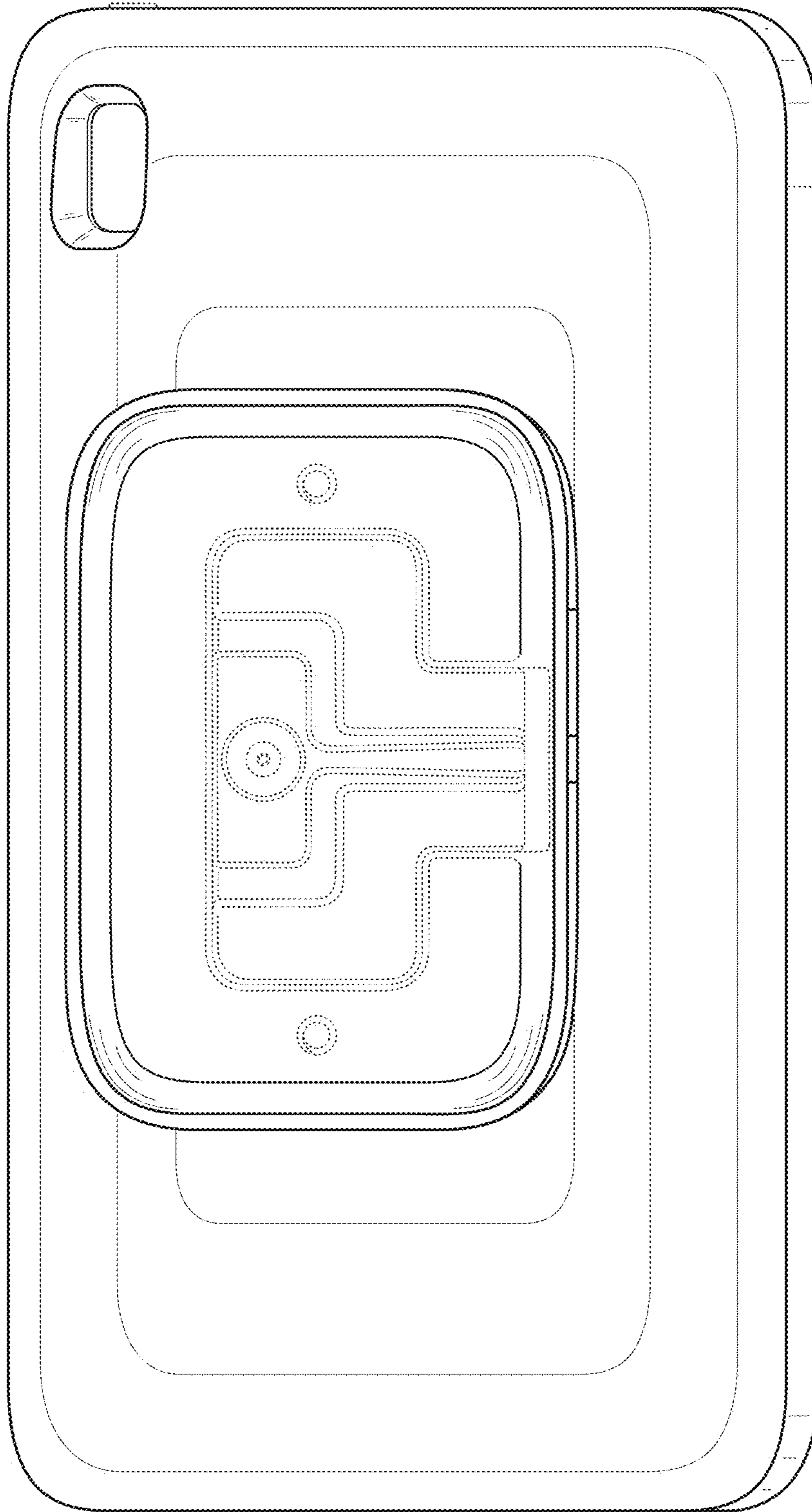


FIG. 14