



US00D912059S

(12) **United States Design Patent**  
**Zhao**

(10) **Patent No.:** **US D912,059 S**

(45) **Date of Patent:** **\*\* \*Mar. 2, 2021**

(54) **NOTEBOOK PC PROTECTION COVER**

(71) Applicant: **Chenghe Zhao**, Dongguan (CN)

(72) Inventor: **Chenghe Zhao**, Dongguan (CN)

(\*) Notice: This patent is subject to a terminal disclaimer.

(\*\*) Term: **15 Years**

(21) Appl. No.: **29/672,043**

(22) Filed: **Dec. 3, 2018**

(51) **LOC (13) Cl.** ..... **14-02**

(52) **U.S. Cl.**  
USPC ..... **D14/440**

(58) **Field of Classification Search**  
USPC .... D14/440, 447, 250, 432; 206/45.23, 320,  
206/45.2; 361/679.55; 294/25; 224/218  
CPC .... G06F 1/1628; G06F 1/1626; A47B 23/044  
See application file for complete search history.

(56) **References Cited**

**U.S. PATENT DOCUMENTS**

D761,267 S *	7/2016	Chen	.....	D14/345
D763,856 S *	8/2016	Moore	.....	D14/440
D767,574 S *	9/2016	Wall	.....	D14/440
D800,732 S *	10/2017	Dang	.....	D14/440
D811,411 S *	2/2018	Moore	.....	D14/440
D816,088 S *	4/2018	Fenton	.....	D14/440

D835,088 S *	12/2018	Zhuang	.....	D14/250
D837,792 S *	1/2019	Kim	.....	D14/440
D837,793 S *	1/2019	Ham	.....	D14/440
D845,305 S *	4/2019	Xu	.....	D14/440
D853,401 S *	7/2019	Moore	.....	D14/440
2011/0290687 A1*	12/2011	Han	.....	A45C 3/02 206/320
2016/0011628 A1*	1/2016	Sato	.....	G06F 1/1656 361/679.3

\* cited by examiner

*Primary Examiner* — Cynthia R Underwood

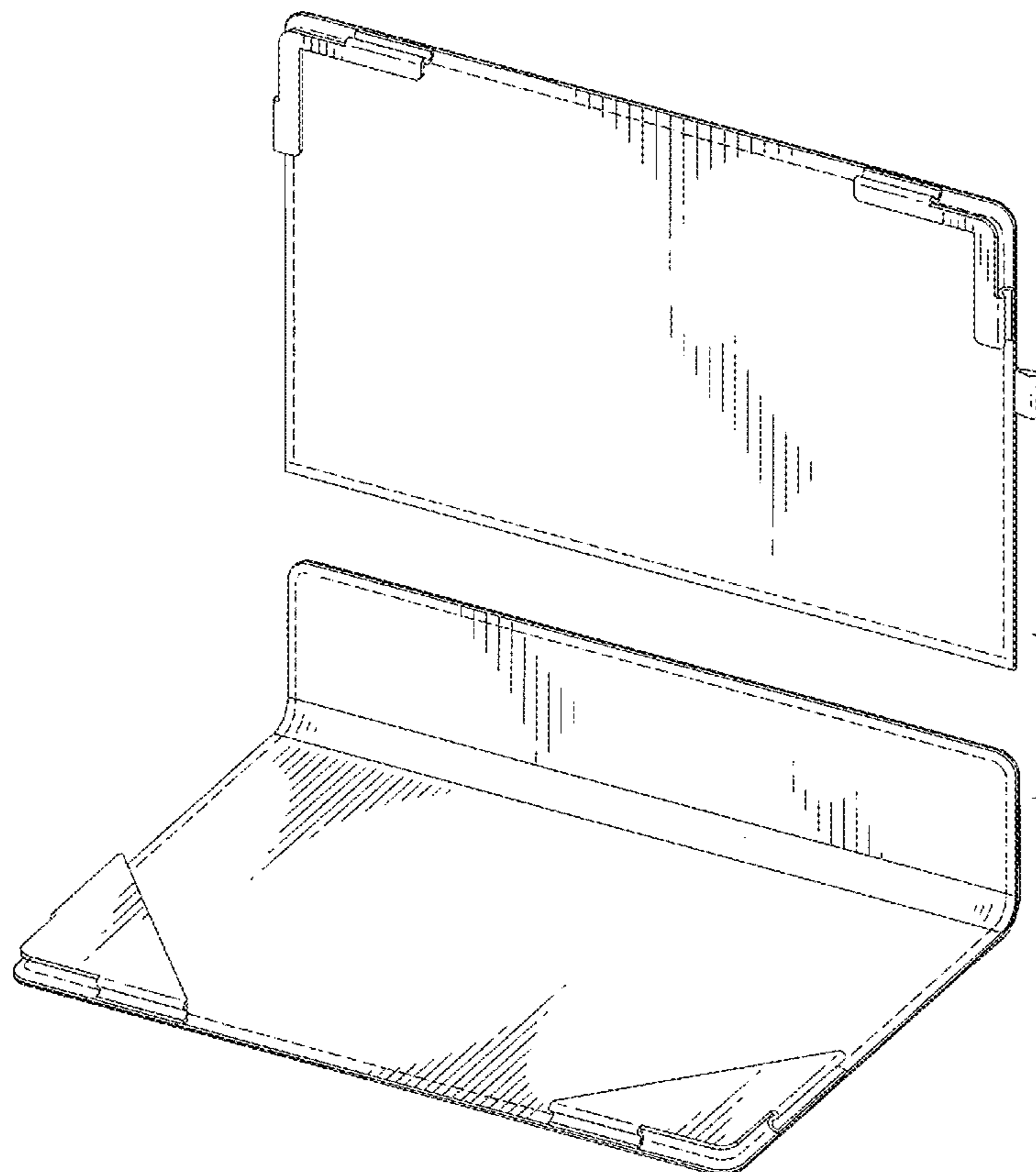
(57) **CLAIM**

The ornamental design for a notebook PC protection cover, as shown and described.

**DESCRIPTION**

FIG. 1 is a perspective view of a notebook PC protection cover;  
 FIG. 2 is a front elevational view of thereof;  
 FIG. 3 is a rear elevational view thereof;  
 FIG. 4 is a left side elevational view thereof;  
 FIG. 5 is a right side elevational view thereof;  
 FIG. 6 is a top plan view thereof;  
 FIG. 7 is a bottom plan view thereof;  
 FIG. 8 is a perspective view thereof shown in an open position of use; and,  
 FIG. 9 is another perspective view thereof shown opened and separated.  
 In the drawings, the broken lines illustrate portions of the article that form no part of the claimed design.

**1 Claim, 7 Drawing Sheets**



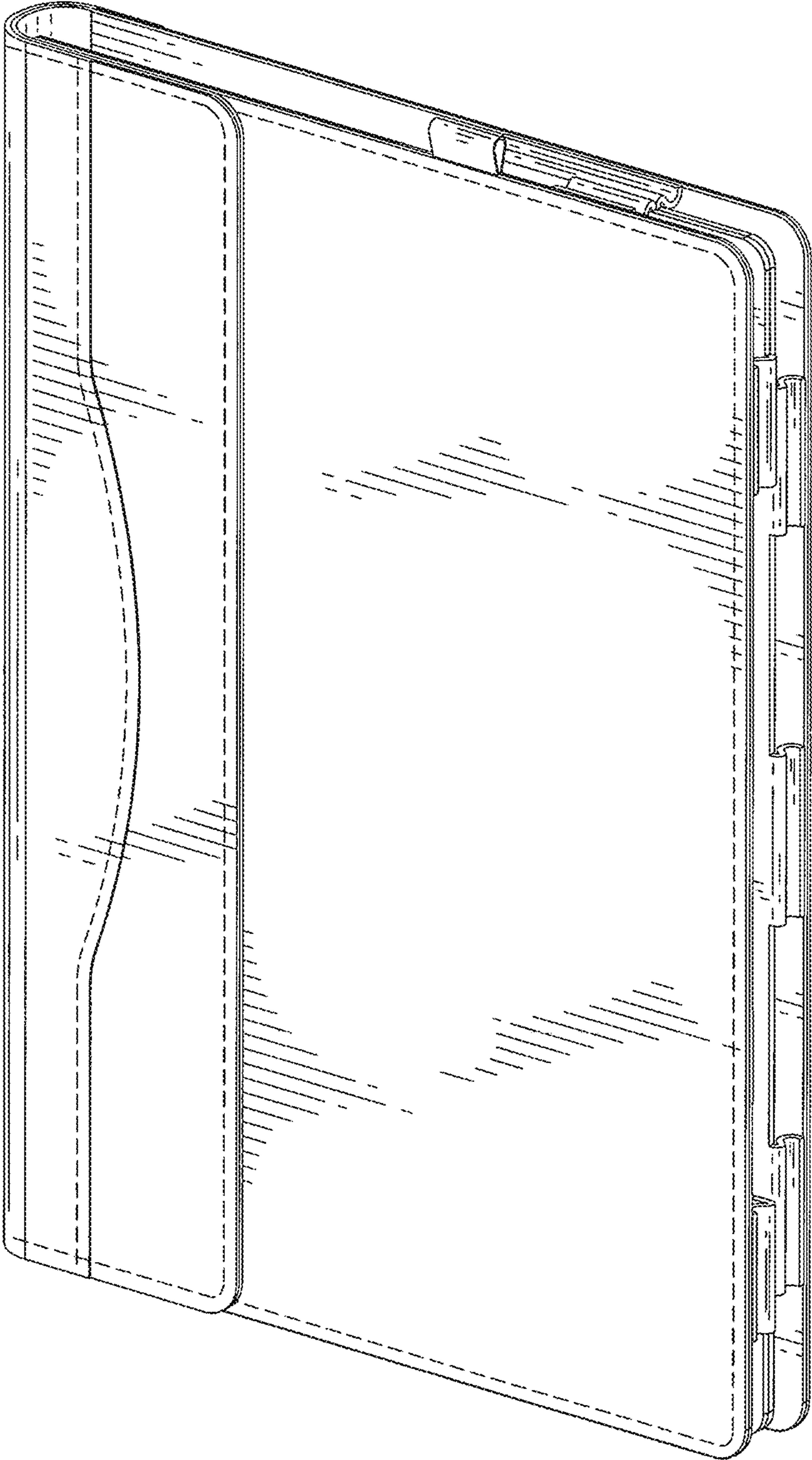


FIG.1

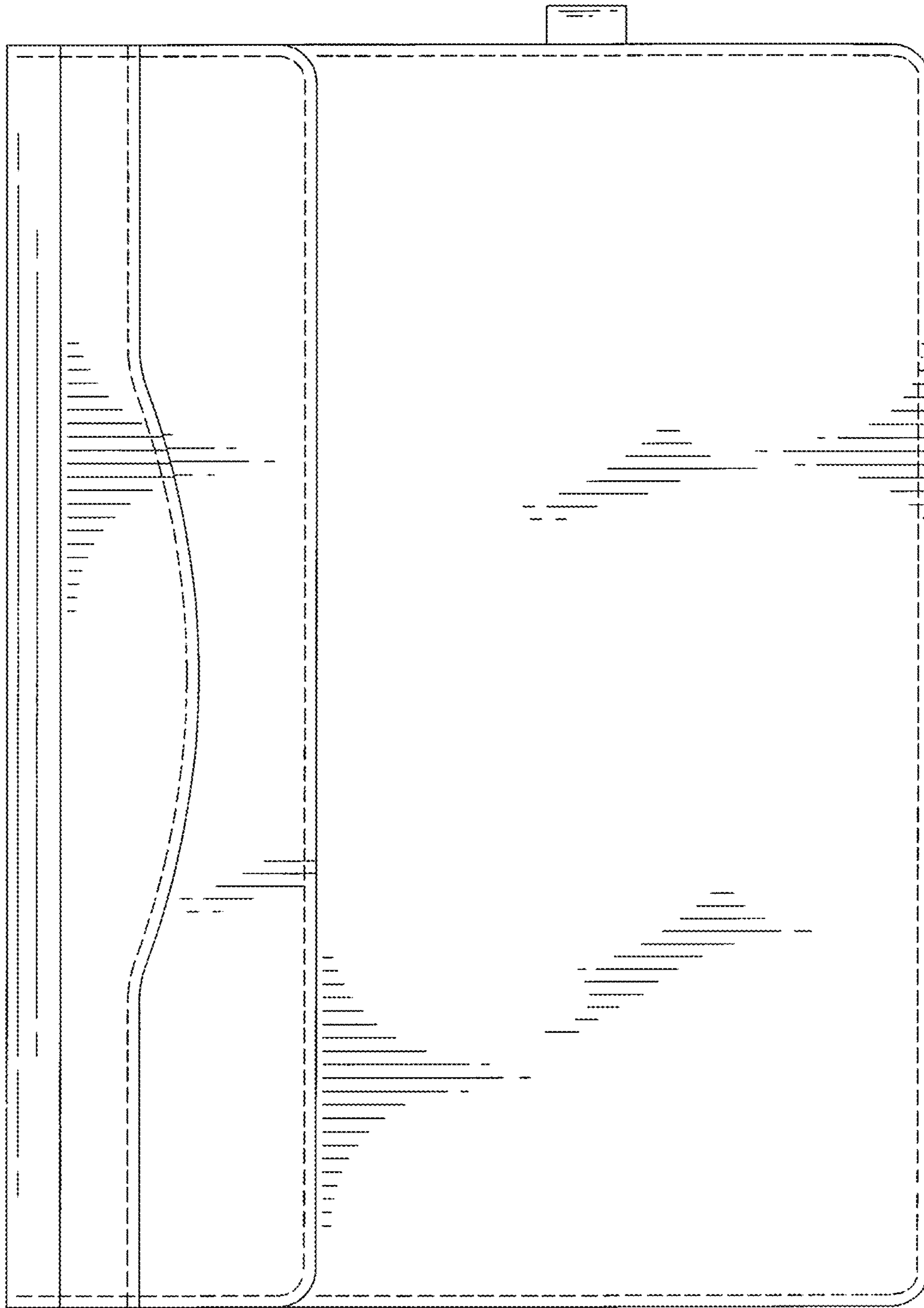


FIG.2

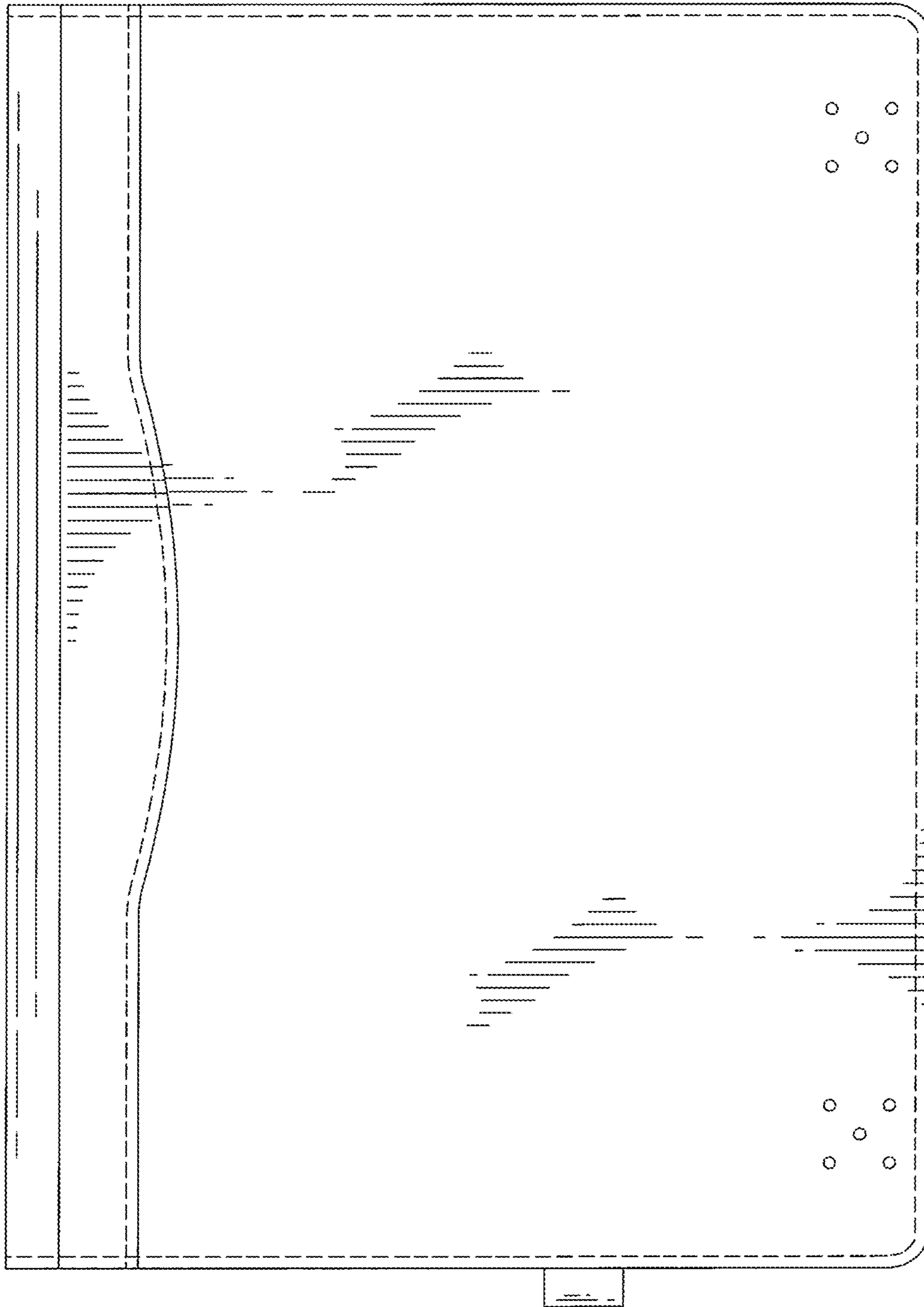


FIG.3

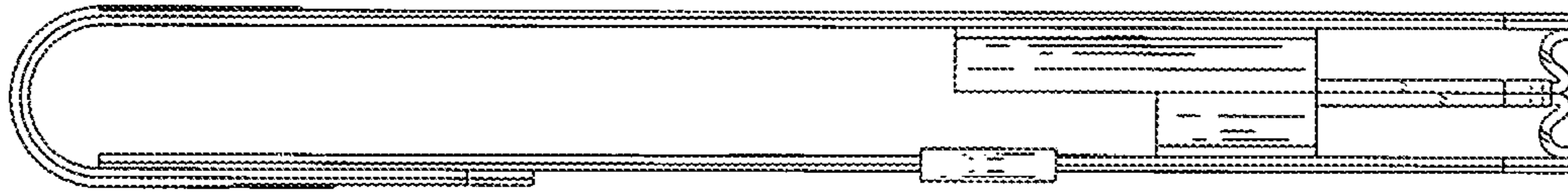


FIG. 5

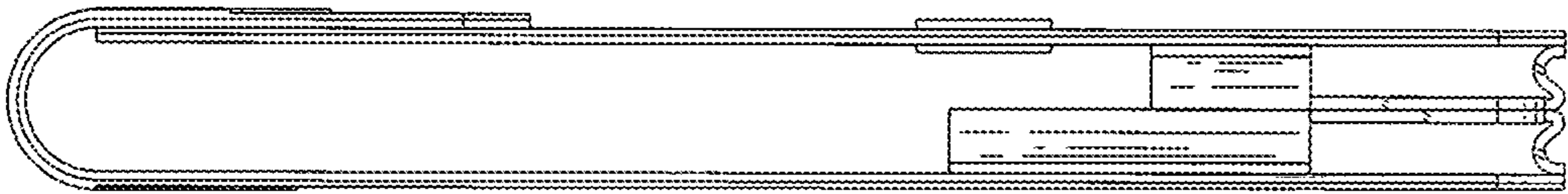


FIG. 4





FIG. 6

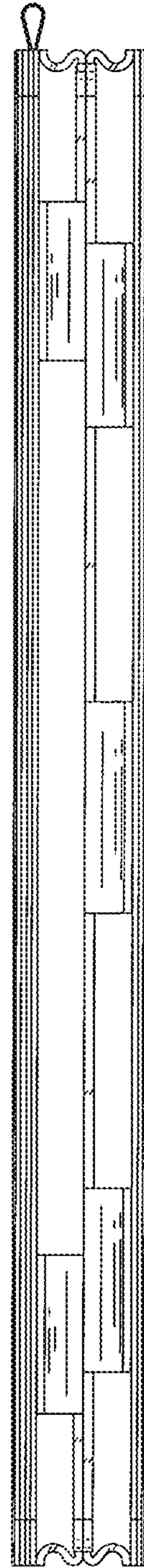


FIG. 7

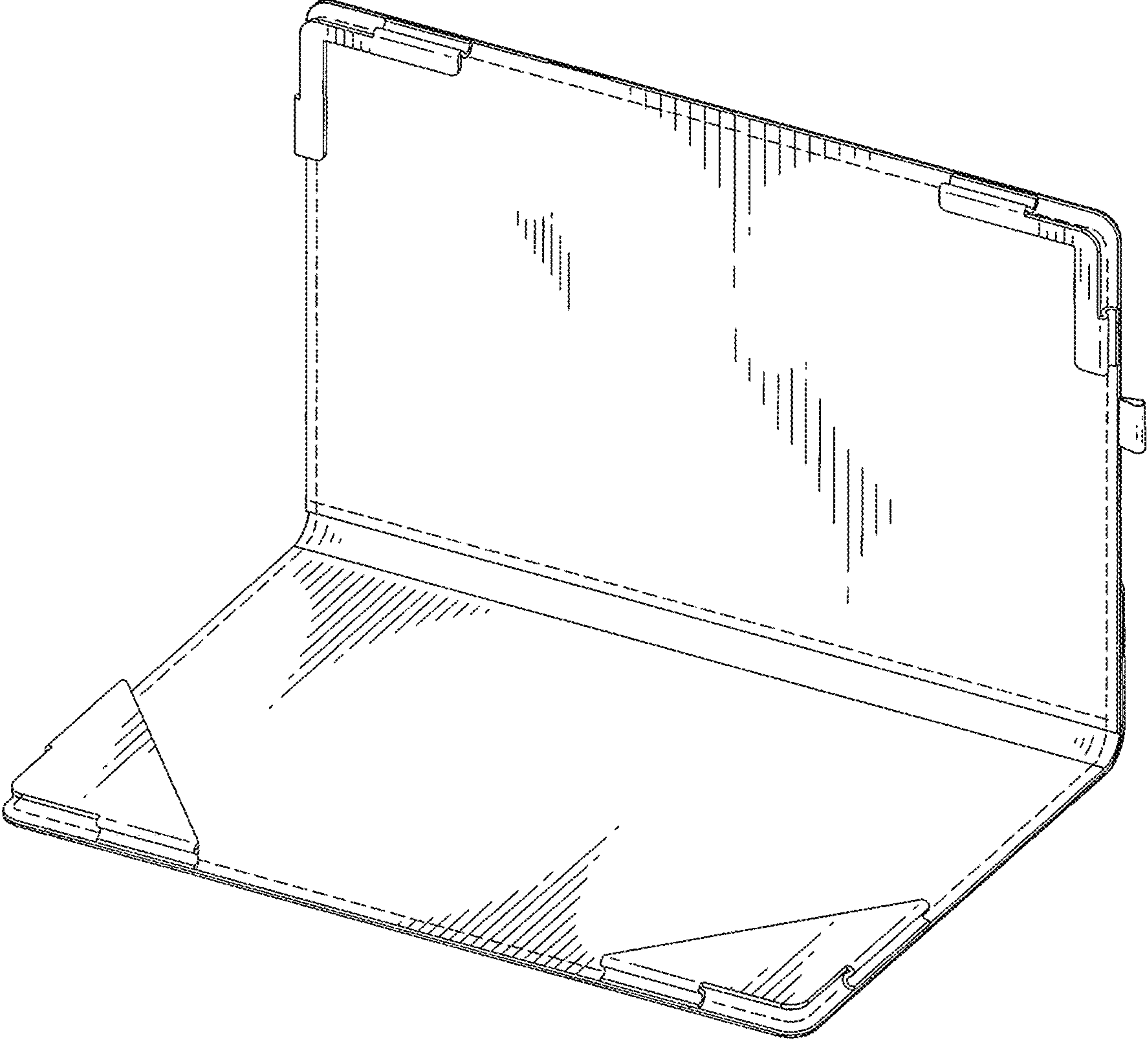


FIG.8

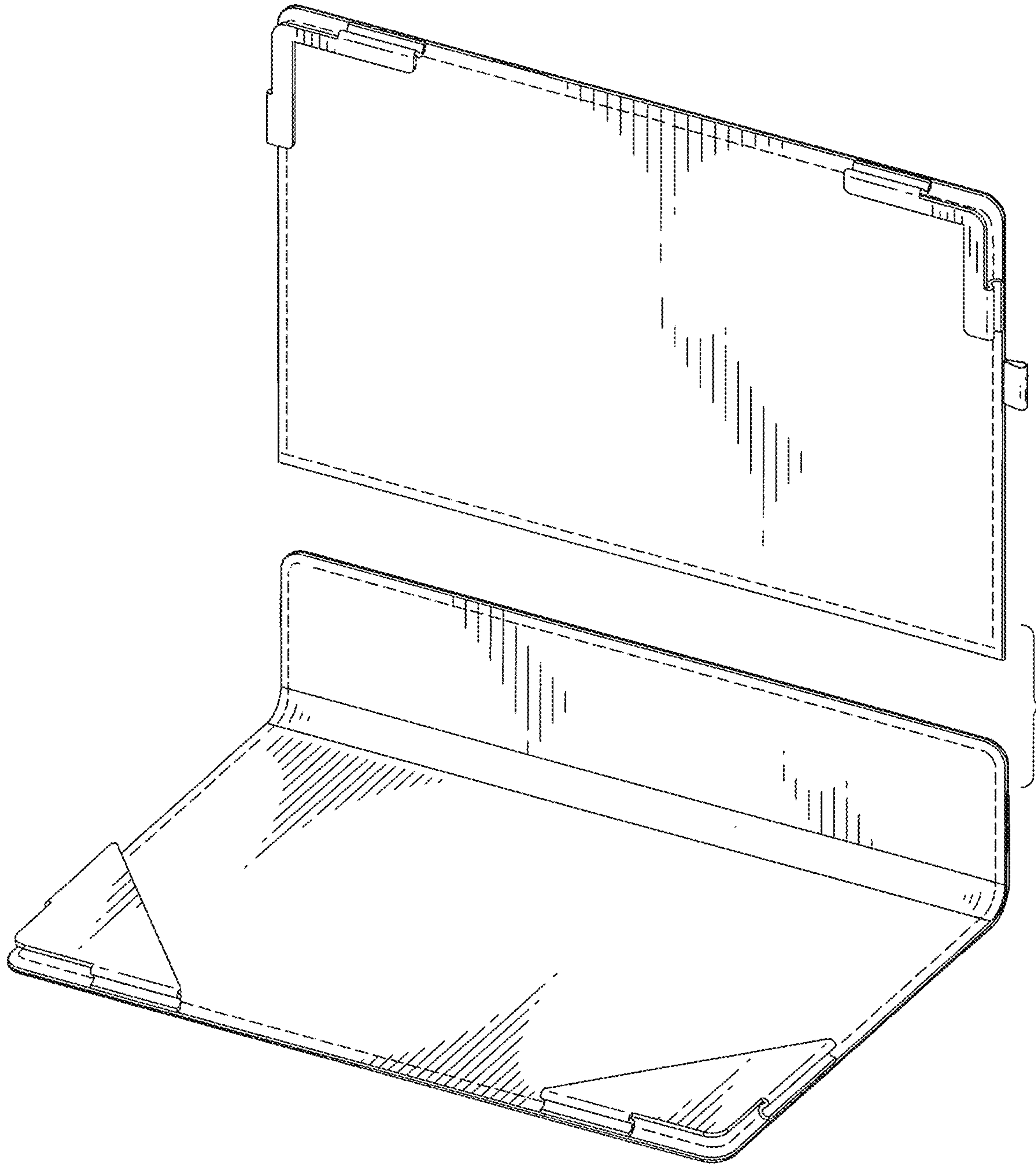


FIG.9