



US00D912058S

(12) **United States Design Patent** (10) **Patent No.:** **US D912,058 S**
Lu (45) **Date of Patent:** **** Mar. 2, 2021**

(54) **HANDLE CONNECTOR**

(71) Applicant: **Getac Technology Corporation,**
Hsinchu County (TW)

(72) Inventor: **Wei-Sen Lu,** Taipei (TW)

(73) Assignee: **GETAC TECHNOLOGY**
CORPORATION, Hsinchu County
(TW)

(**) Term: **15 Years**

(21) Appl. No.: **29/749,178**

(22) Filed: **Sep. 3, 2020**

Related U.S. Application Data

(62) Division of application No. 29/655,599, filed on Jul. 5, 2018, now Pat. No. Des. 898,744.

(51) **LOC (13) Cl.** **14-03**

(52) **U.S. Cl.**
USPC **D14/439; D14/251**

(58) **Field of Classification Search**
USPC D14/137, 147, 203, 217, 230, 238, 240,
D14/248, 251, 252, 253, 344, 345, 432,
D14/433, 439, 447, 451; D16/202, 206,
D16/208, 219; 294/25; 455/575.1,
455/575.3, 575.6

CPC H04B 1/3888; H04B 1/385; A45F 5/00;
A45F 5/004; A45F 5/021; H04M 1/04

See application file for complete search history.

(56) **References Cited**

U.S. PATENT DOCUMENTS

D424,035 S *	5/2000	Steiner	D14/344
D614,305 S *	4/2010	Al-Ali	D24/187
D719,515 S *	12/2014	Huang	D13/154
D727,906 S *	4/2015	Neumann	D14/433
D831,589 S *	10/2018	Penn	H01R 13/6272
				D13/173
D870,544 S *	12/2019	Lai	D8/382
D898,744 S *	10/2020	Lu	D14/439

* cited by examiner

Primary Examiner — Austin Murphy

(74) *Attorney, Agent, or Firm* — Locke Lord LLP; Tim Tingkang Xia, Esq.

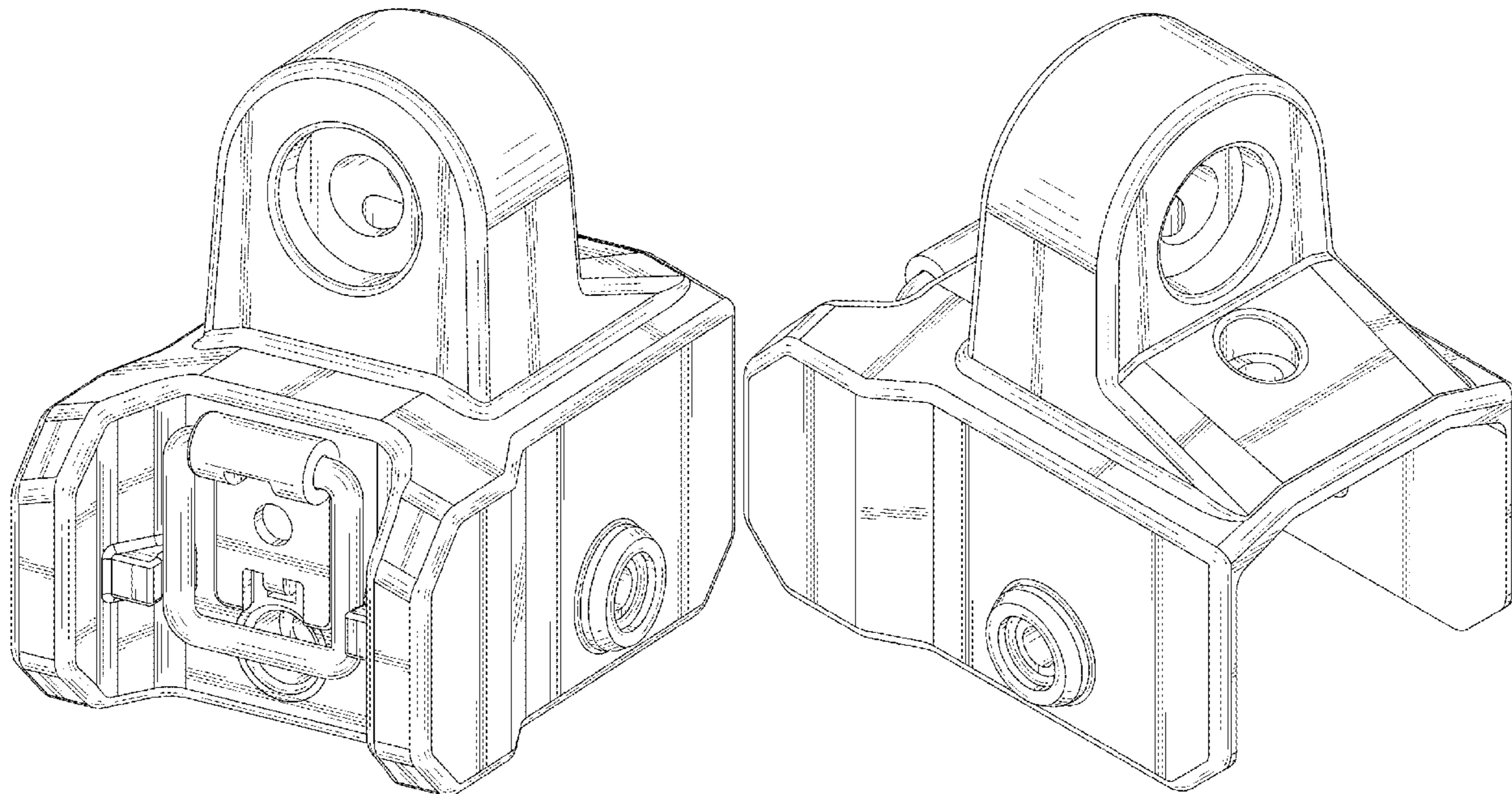
(57) **CLAIM**

The ornamental design for a handle connector, as shown and described.

DESCRIPTION

FIG. 1 is a top front right perspective view showing my new design;
FIG. 2 is a top front left perspective view thereof;
FIG. 3 is a bottom rear left perspective view thereof;
FIG. 4 is a front view thereof;
FIG. 5 is a rear view thereof;
FIG. 6 is a left side view thereof;
FIG. 7 is a right side view thereof;
FIG. 8 is a top view thereof;
FIG. 9 is a bottom view thereof; and,
FIG. 10 is a front view thereof with a mobile computer.
The broken lines are directed to environment and are for illustrative purposes only. The broken lines form no part of the claimed design.

1 Claim, 10 Drawing Sheets



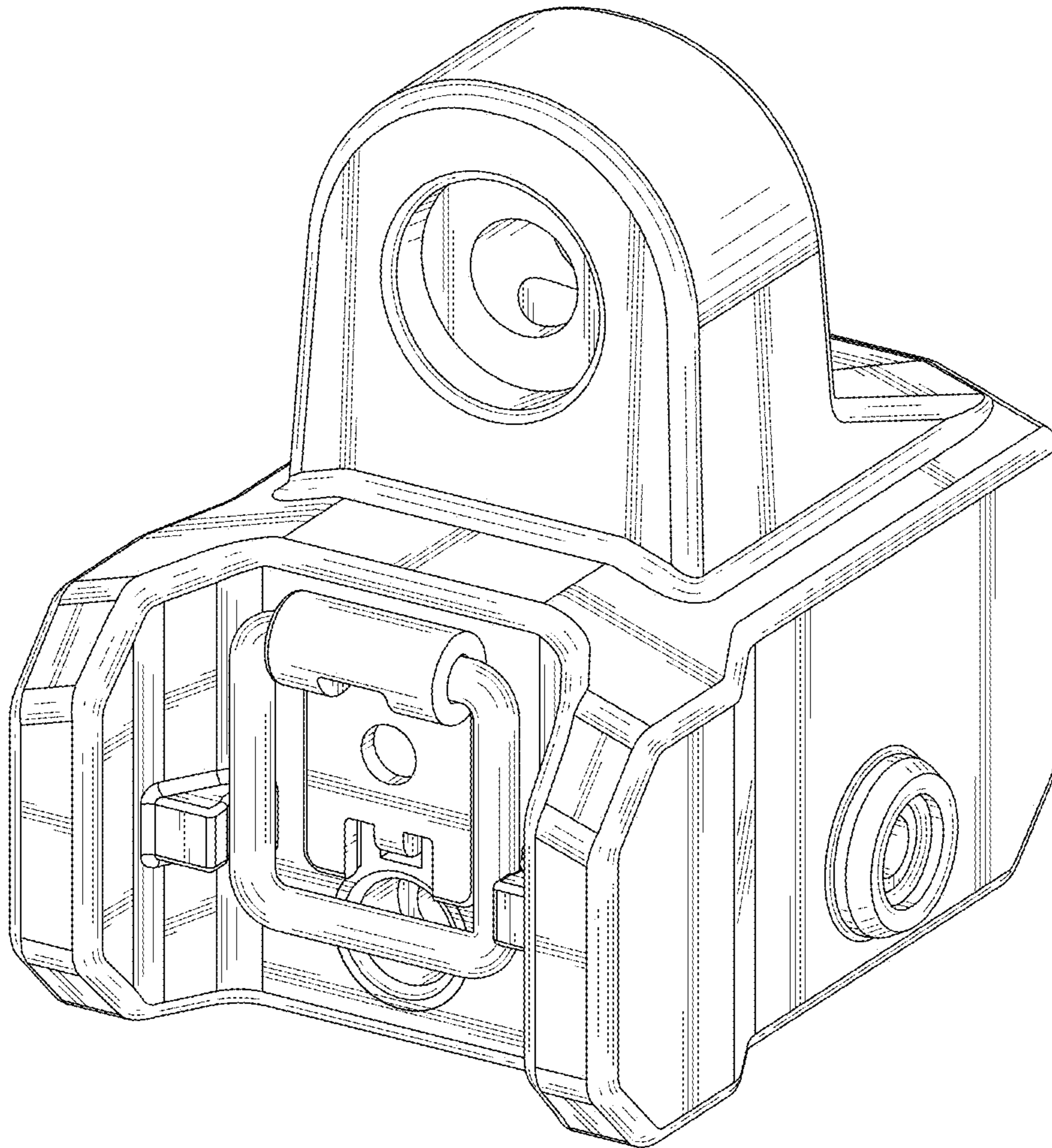


FIG. 1

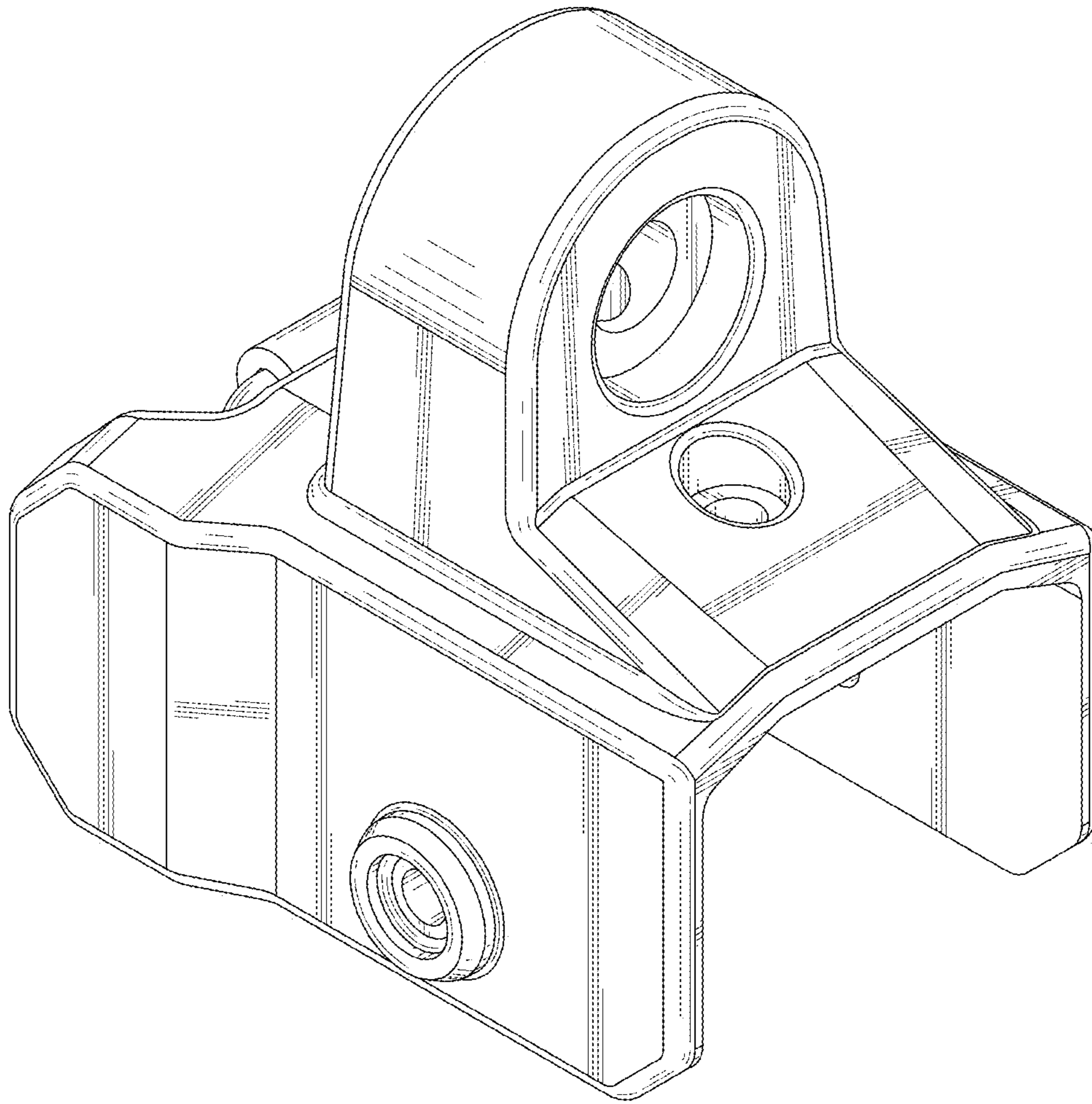


FIG. 2

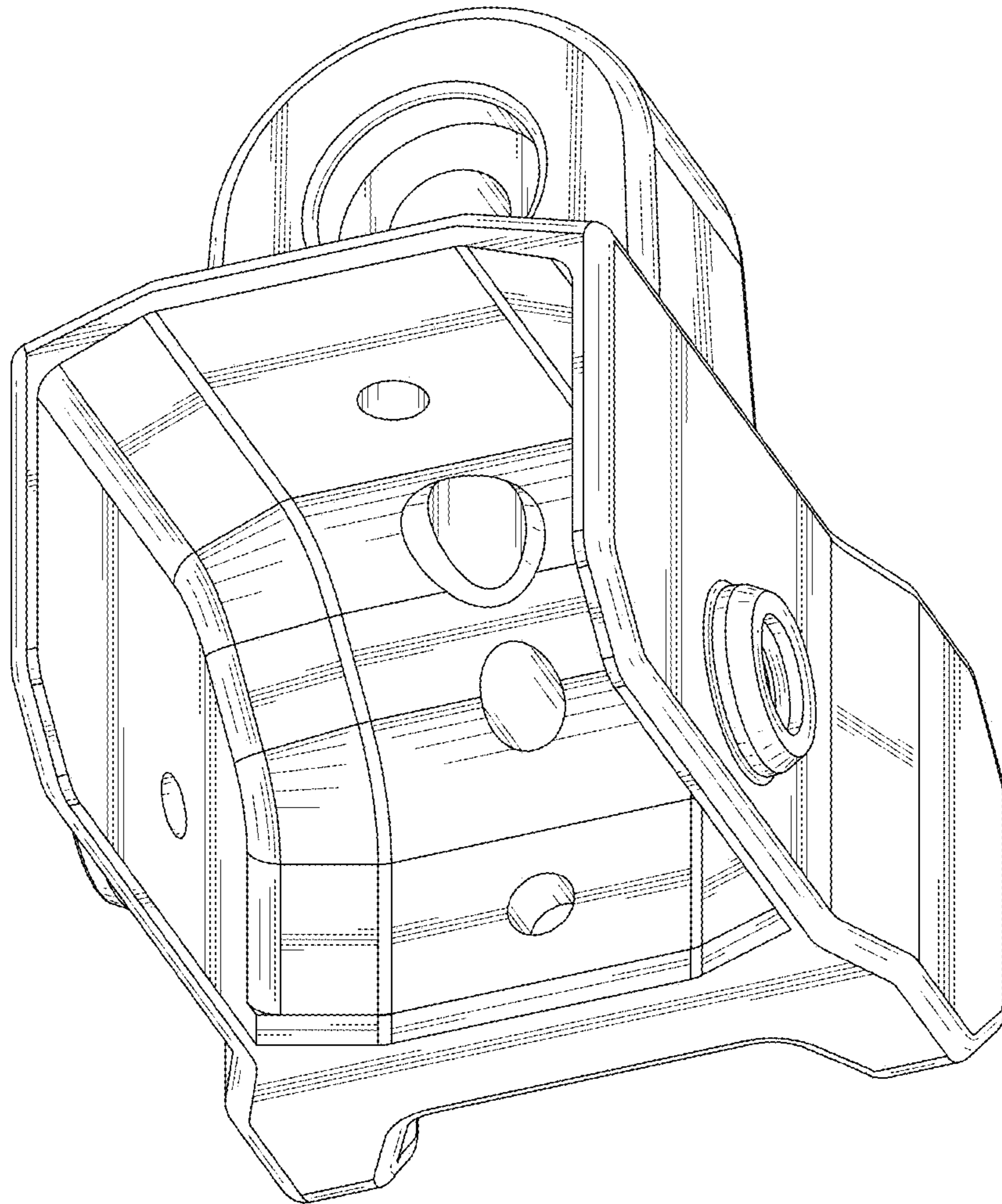


FIG. 3

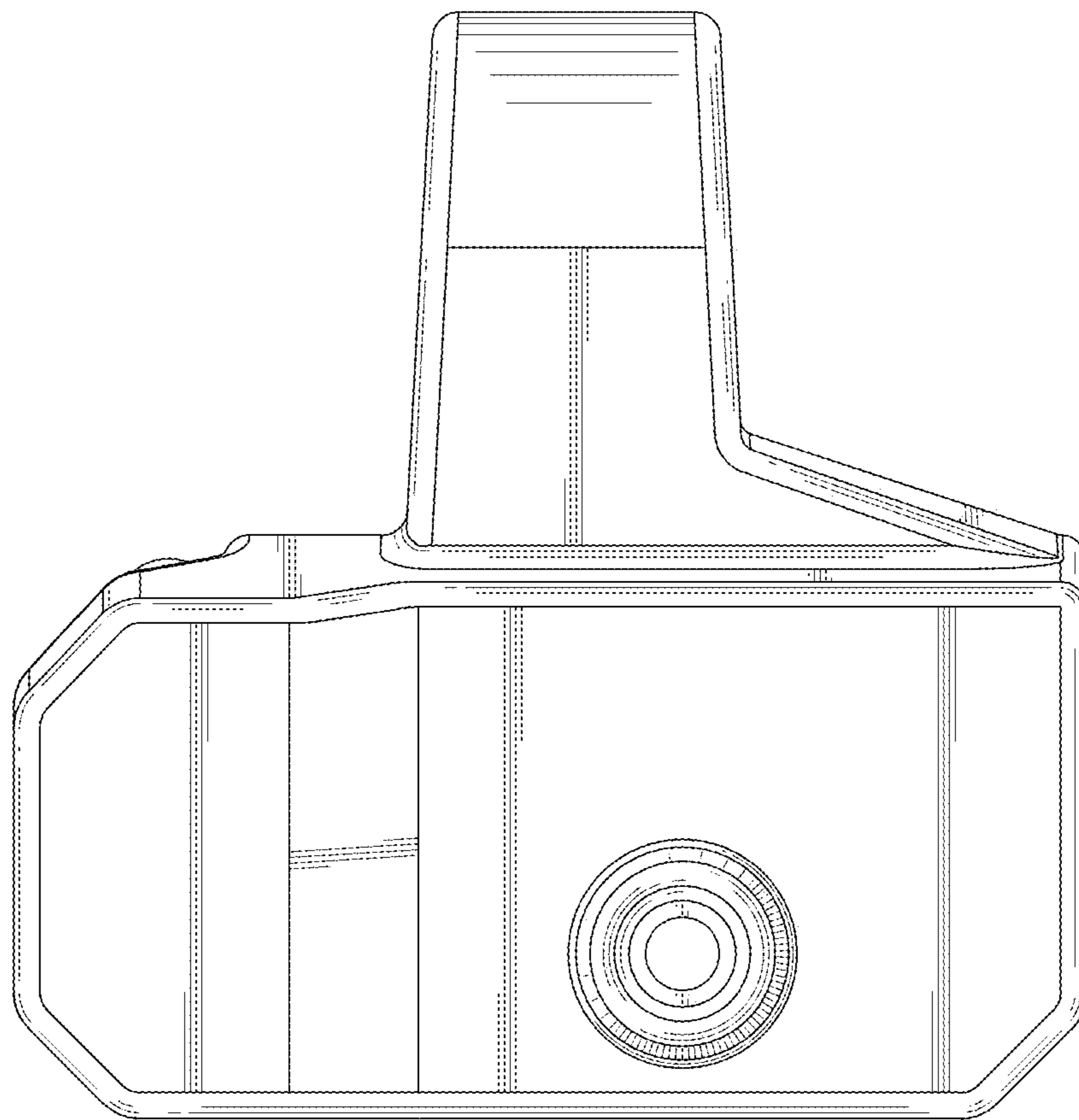


FIG. 4

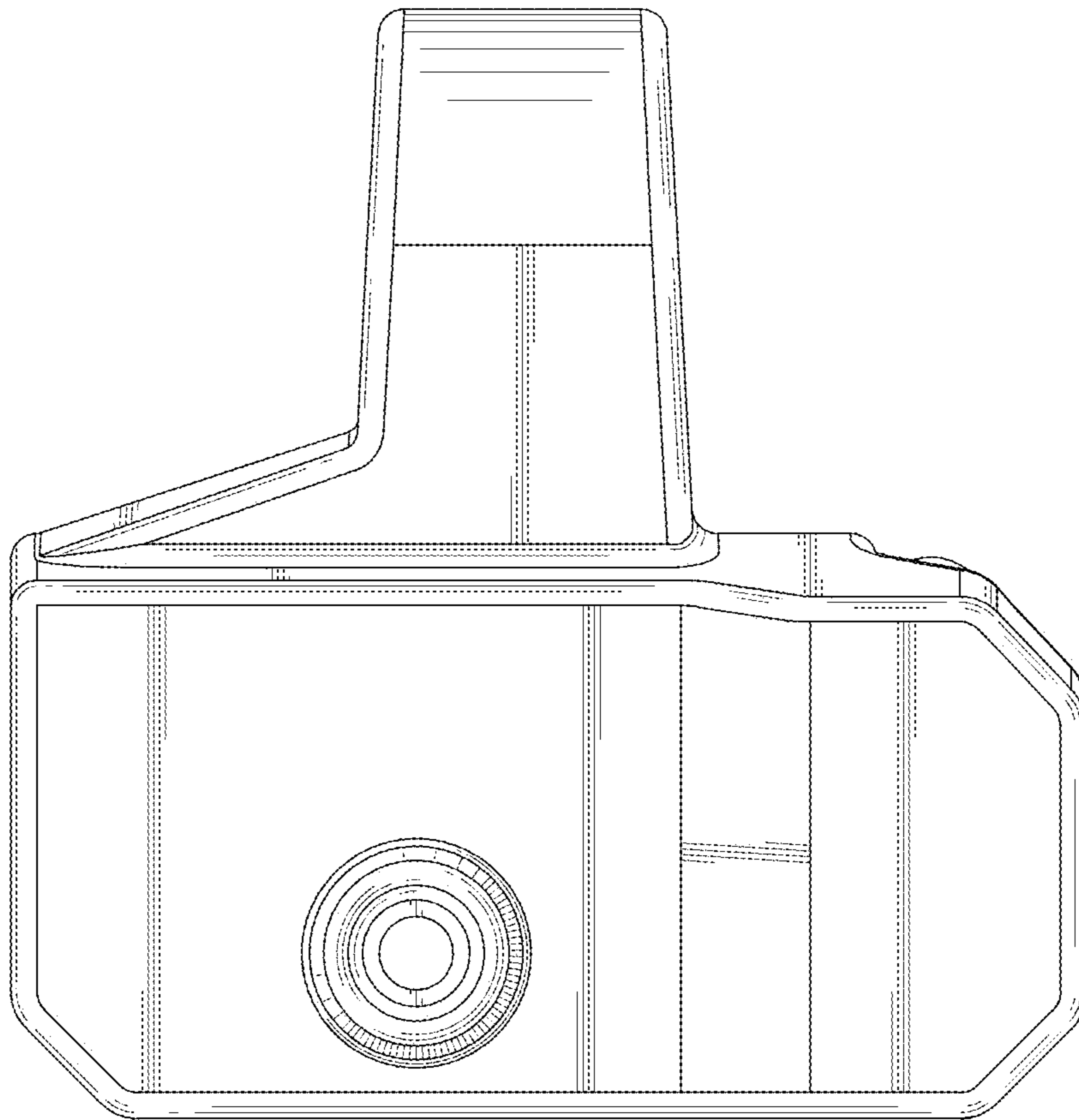


FIG. 5

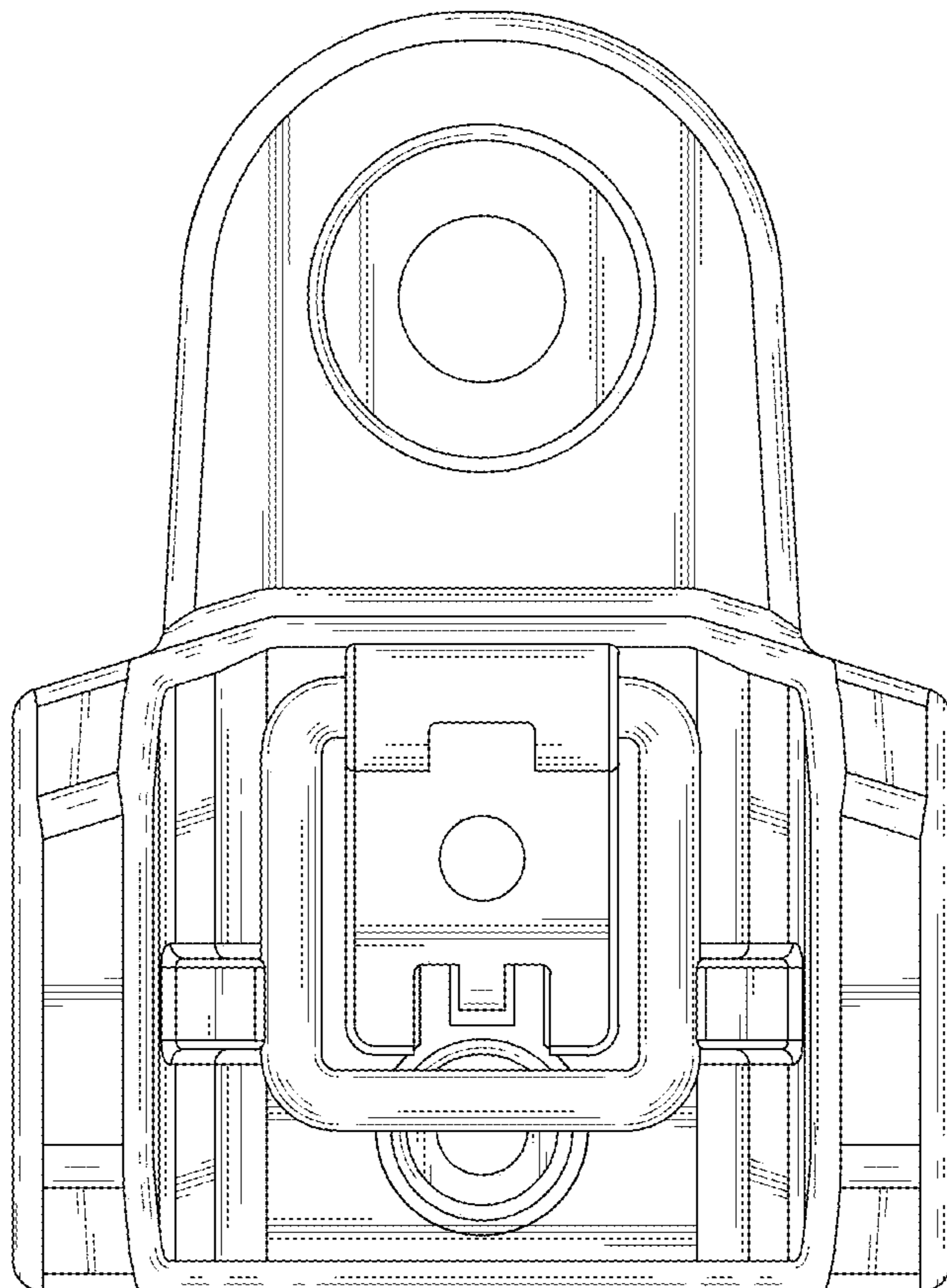


FIG. 6

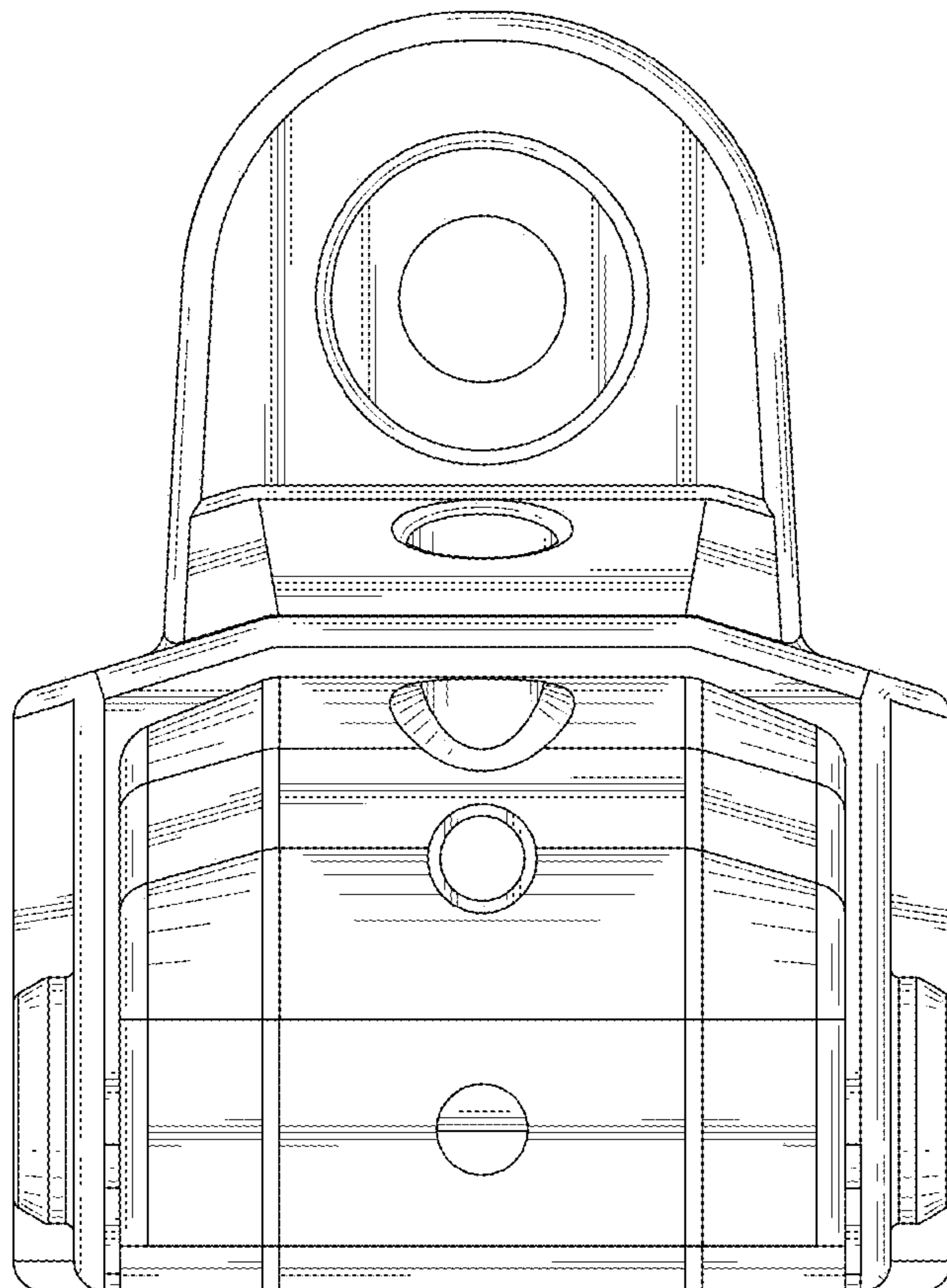


FIG. 7

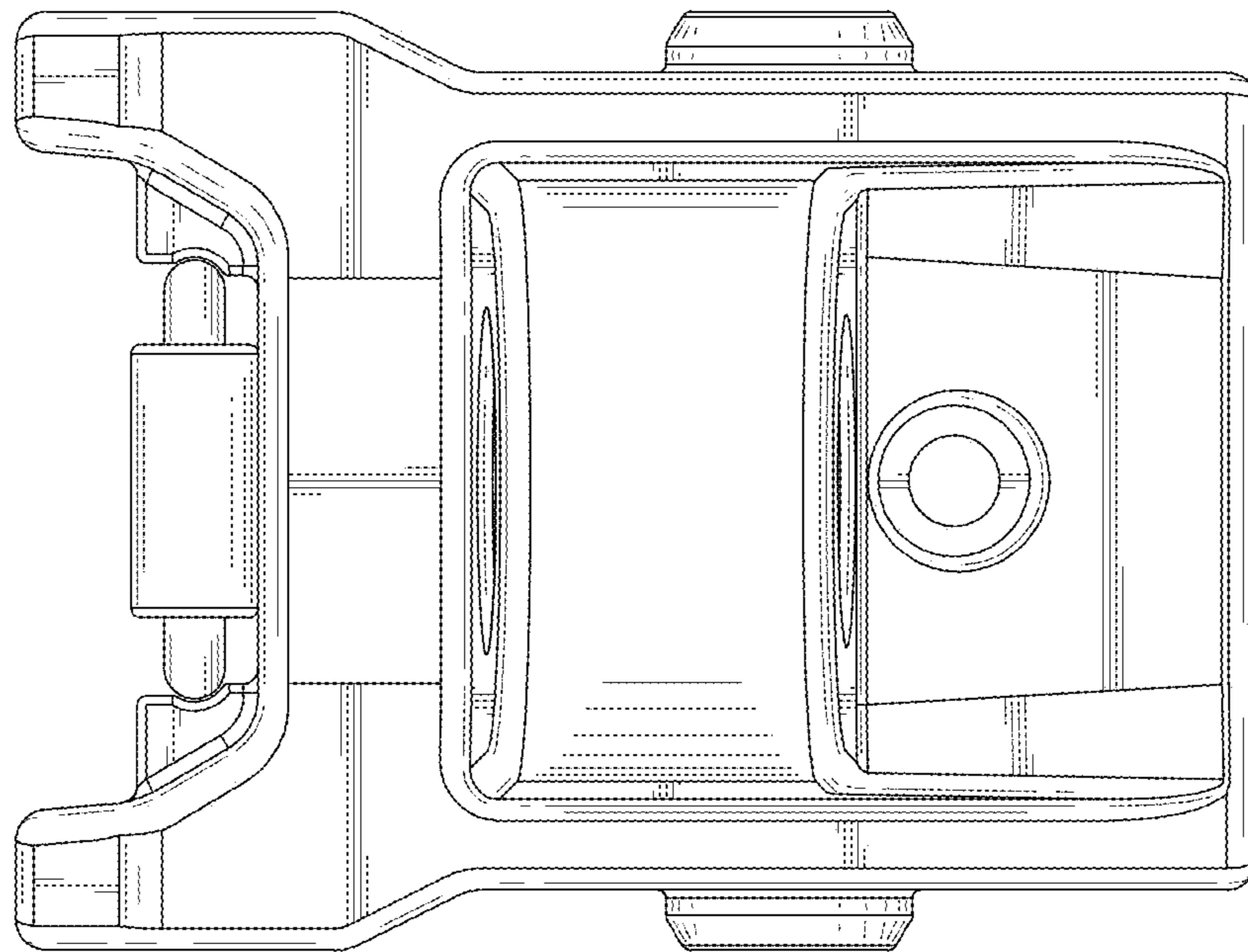


FIG. 8

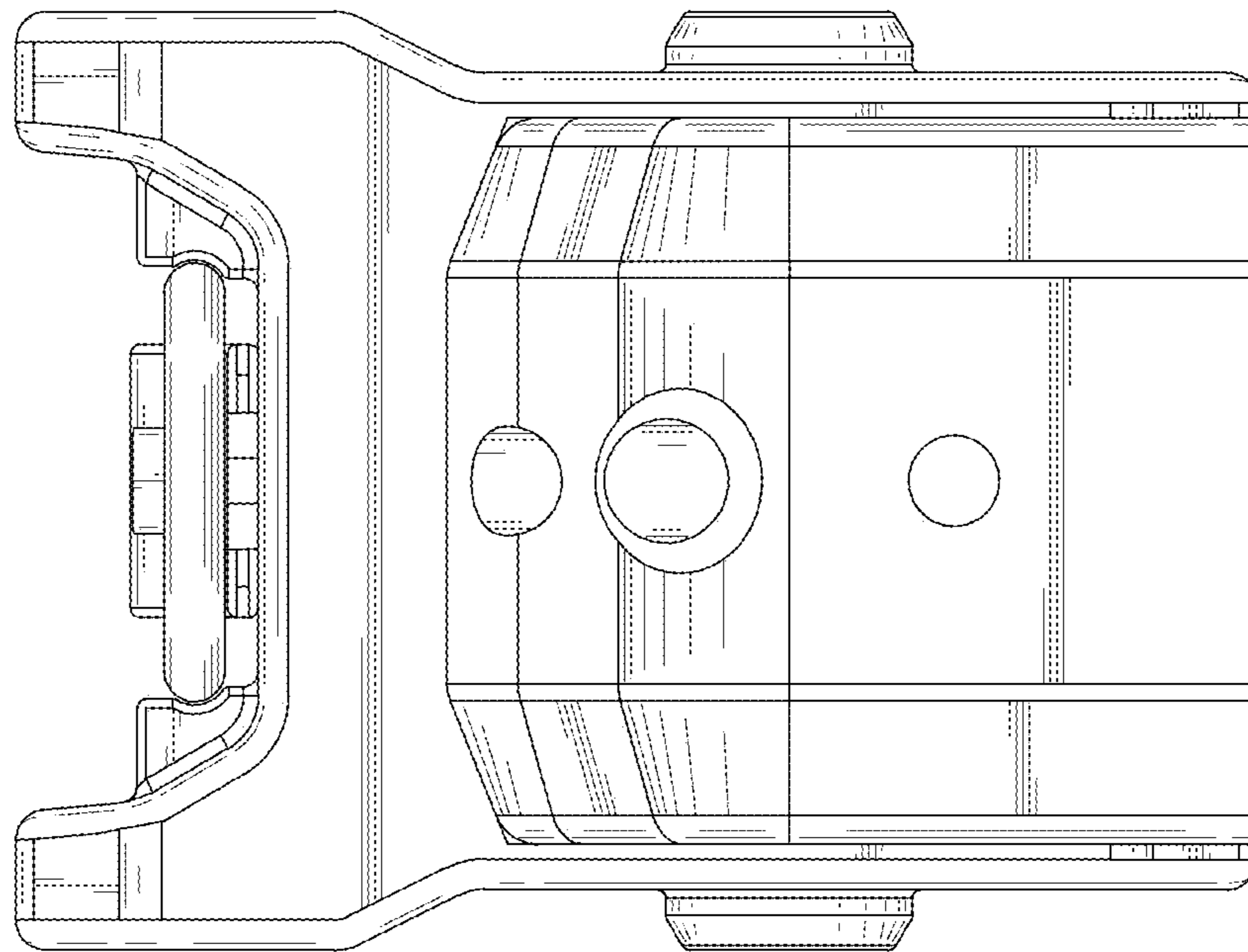


FIG. 9

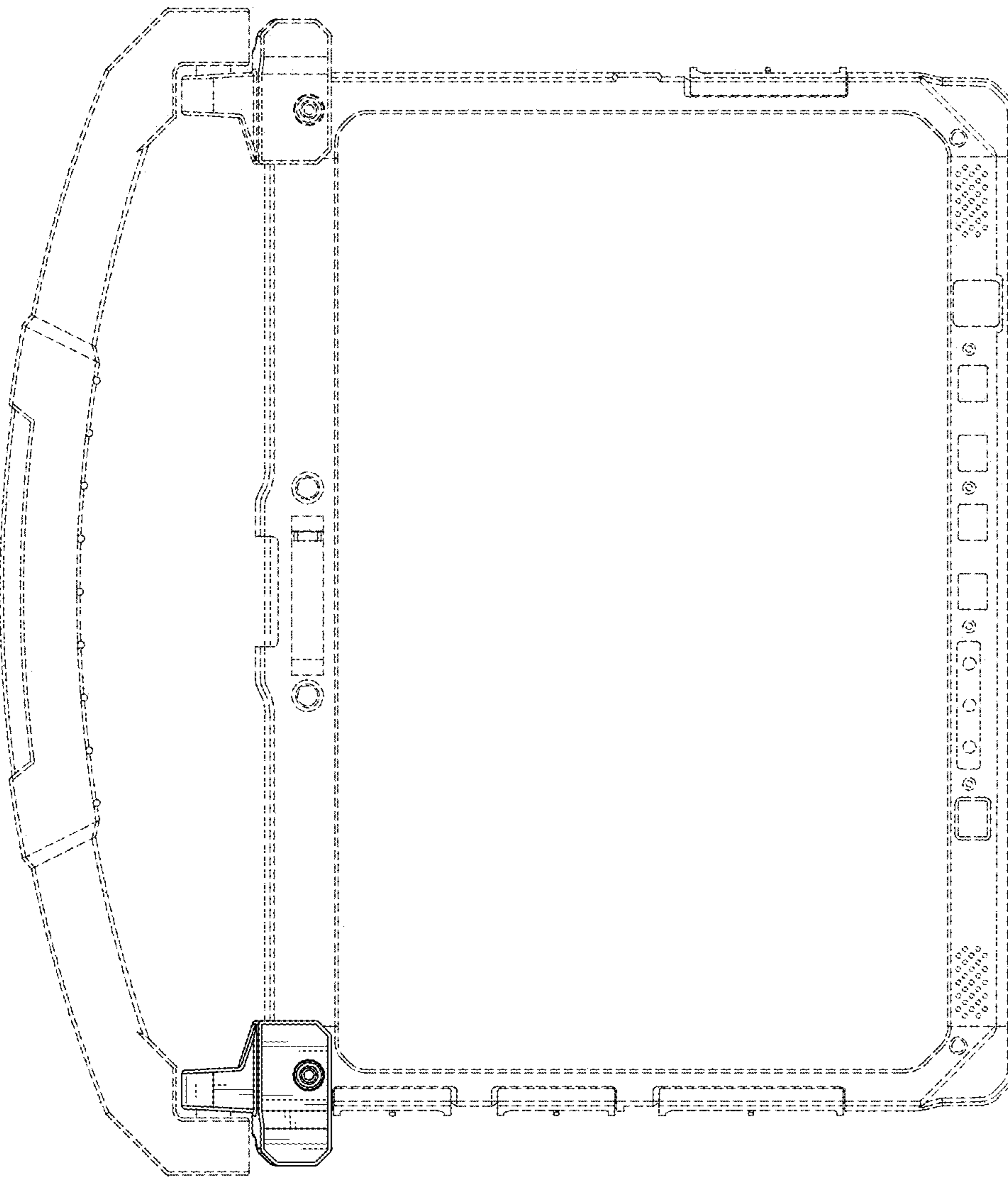


FIG. 10