



US00D912056S

(12) **United States Design Patent** (10) **Patent No.:** **US D912,056 S**
Liao (45) **Date of Patent:** **** Mar. 2, 2021**

(54) **MULTI-FUNCTION CONVERTER**
(71) Applicant: **Gopod Group Ltd.**, Guangdong (CN)
(72) Inventor: **Zhuowen Liao**, Shenzhen (CN)
(73) Assignee: **GUANGDONG GOPOD GROUP HOLDING CO., LTD.**, Shenzhen (CN)

(**) Term: **15 Years**

(21) Appl. No.: **29/658,539**

(22) Filed: **Aug. 1, 2018**

(51) **LOC (13) Cl.** **14-99**

(52) **U.S. Cl.**
USPC **D14/433**

(58) **Field of Classification Search**
USPC D14/240, 242, 356, 357, 358, 378, 383,
D14/384, 385, 386, 433, 434, 435.1,
D14/480.1, 480.3, 480.4, 480.5, 480.6,
D14/480.7; D13/103, 107, 108, 110, 146;
D18/12, 12.1, 12.3
CPC H01R 25/003; H01R 25/006; H01R 27/02;
H01R 31/005; H01R 13/60; H01R
13/6658; H01R 13/72; G06F 1/1607;
G06F 1/1632;

(Continued)

(56) **References Cited**

U.S. PATENT DOCUMENTS

D551,668 S * 9/2007 Newby D14/433
D599,800 S * 9/2009 Klein D14/433

(Continued)

OTHER PUBLICATIONS

Baseus USB Type C Hub to Hdmi Rj45 Multi Usb 3.0 Power Adapter, online, no post date, URL: <https://www.konga.com/product/baseus-usb-type-c-hub-to-hdmi-rj45-multi-usb-3-0-power-adapter-for-macbook-pro-air-iwatch-dock-4340643>, retrieved Feb. 11, 2020.*

Primary Examiner — Jeffrey D Asch
Assistant Examiner — Rebekah A Caruso
(74) *Attorney, Agent, or Firm* — Dorsey & Whitney LLP

(57) **CLAIM**

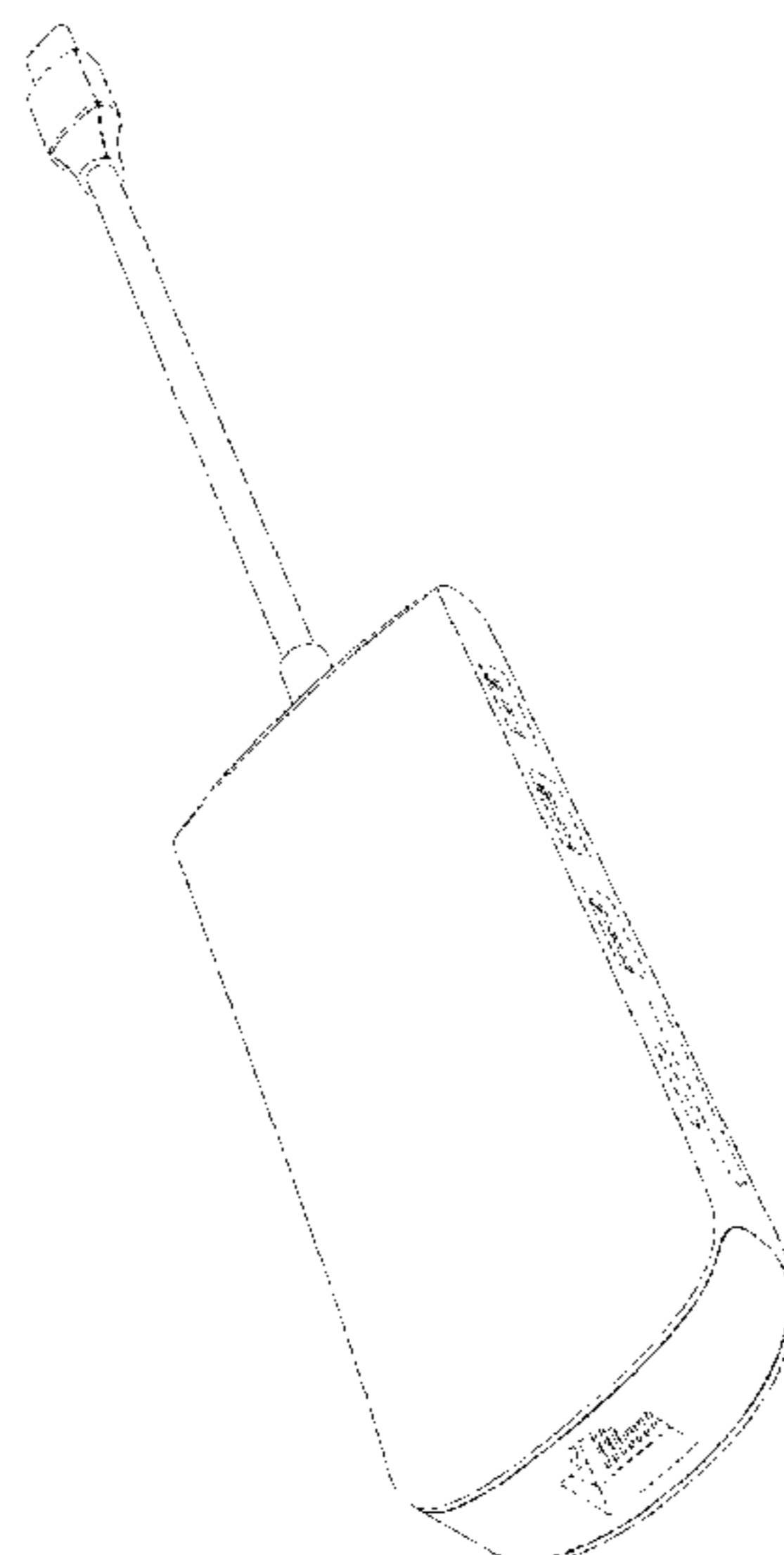
The ornamental design for a multi-function converter, as shown and described.

DESCRIPTION

FIG. 1 is a left side view of a multi-function converter showing a first embodiment of my new design;
FIG. 2 is a top view thereof;
FIG. 3 is a bottom view thereof;
FIG. 4 is a right side view thereof;
FIG. 5 is a front view thereof;
FIG. 6 is a rear view thereof;
FIG. 7 is a top, front, left side perspective view thereof;
FIG. 8 is a top, rear, right side perspective view thereof;
FIG. 9 is another top, rear, right side perspective view thereof;
FIG. 10 is a second embodiment of my new design, showing a first alternative left side view, wherein all other sides are the same as those shown in the first embodiment;
FIG. 11 is a first alternative top, front, left side perspective view thereof;
FIG. 12 is a third embodiment of my new design, showing a second alternative left side view, wherein all other sides are the same as those shown in the first embodiment; and,
FIG. 13 is a second alternative top, front, left side perspective view thereof.

The broken lines that are immediately adjacent to the surfaces included in the claim depict boundaries of the embodiment in which they are shown. The broken lines that occur within the boundary broken lines depict portions of the article that form no part of the embodiment in which they are shown. The broken lines form no part of the embodiment in which they are shown. The broken line showing in the embodiments of FIGS. 10-13 show boundaries of the claimed embodiments and forms no part thereof.

1 Claim, 13 Drawing Sheets



(58) **Field of Classification Search**

CPC G06F 1/1684; G06F 1/266; G06F 11/325;
G06F 13/00; G06F 13/12; G06F 13/14;
G06F 13/20; G06F 13/382; G06F
13/4022; G06F 9/4413

See application file for complete search history.

(56) **References Cited**

U.S. PATENT DOCUMENTS

D618,227	S	*	6/2010	Han	D14/242
D798,811	S	*	10/2017	Liao	D13/110
D803,833	S	*	11/2017	He	D14/385
D815,639	S	*	4/2018	Lau	D14/433
D828,839	S	*	9/2018	Zhang	D14/433
D828,840	S	*	9/2018	Zhang	D14/433
D828,841	S	*	9/2018	Zhang	D14/433
D847,139	S	*	4/2019	Wang	D14/433
D854,019	S	*	7/2019	Liao	D14/434
D854,020	S	*	7/2019	Liao	D14/434
D854,544	S	*	7/2019	Liao	D14/434
D855,054	S	*	7/2019	Turksu	D14/433
D862,473	S	*	10/2019	Liu	D14/433
D865,676	S	*	11/2019	Liao	D13/147

* cited by examiner



Fig 1

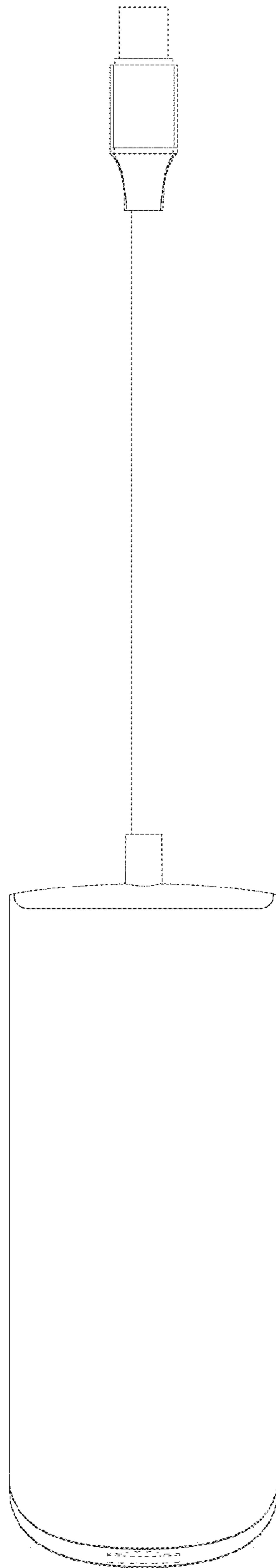


Fig 2

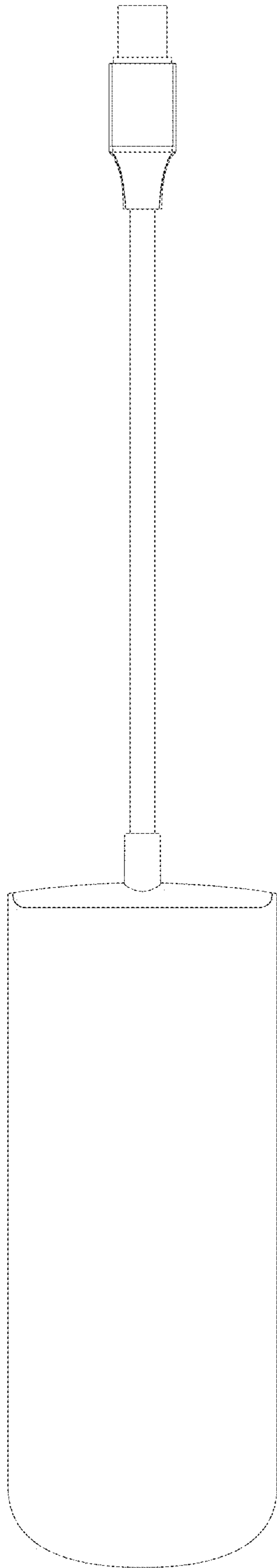


FIG. 3

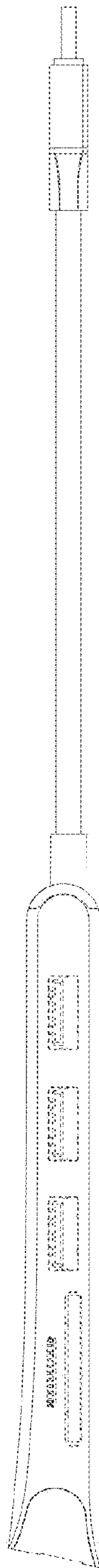


Fig 4

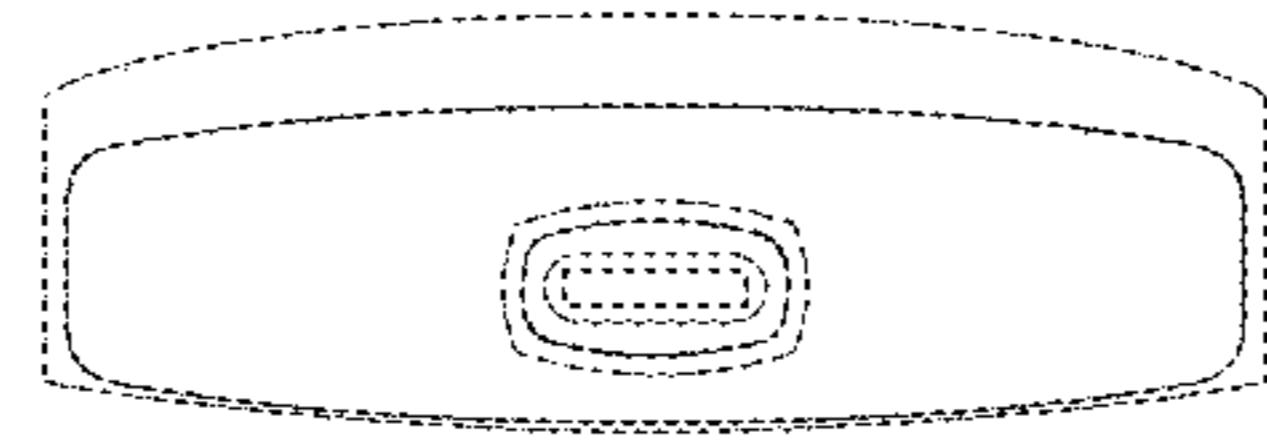


Fig 5

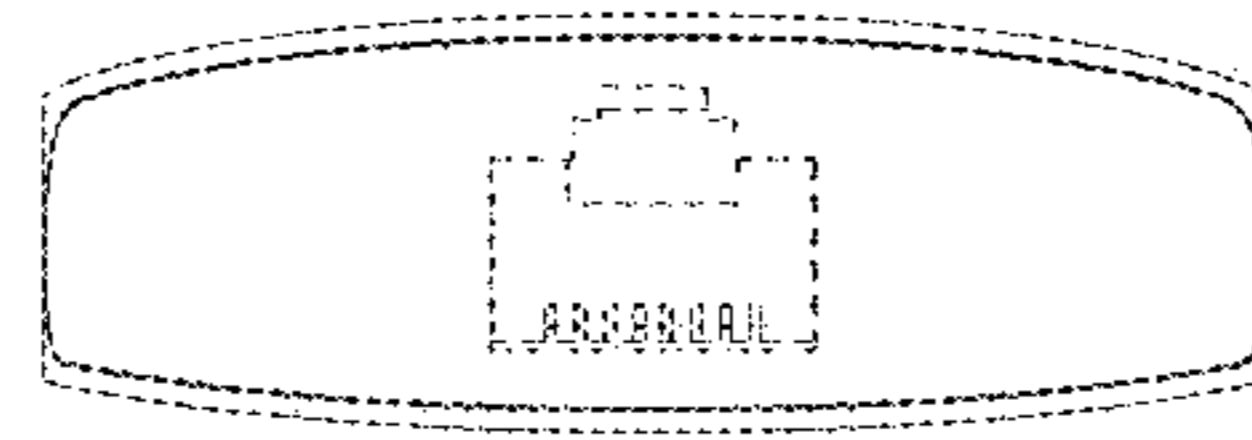


Fig 6

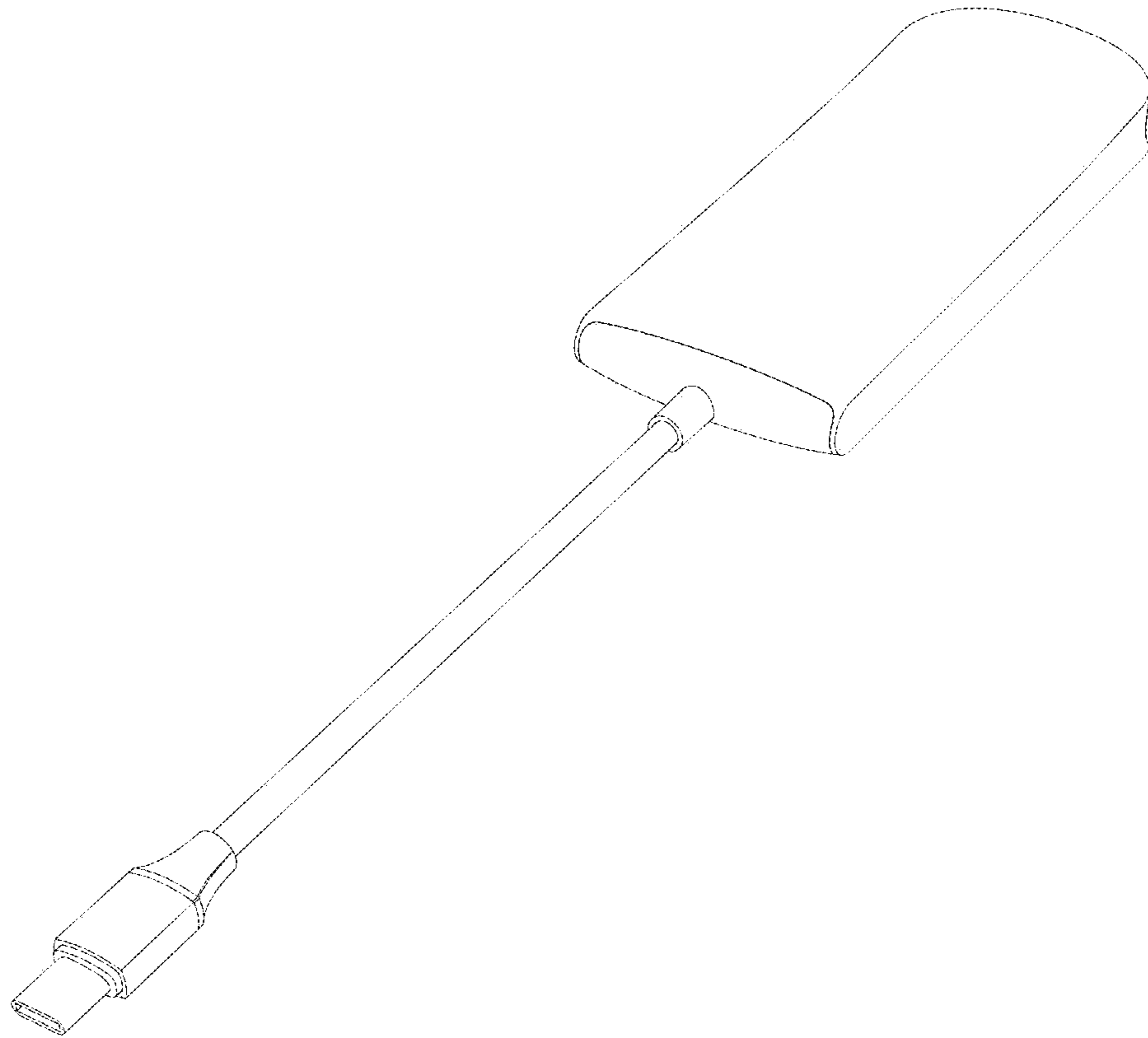


Fig 7

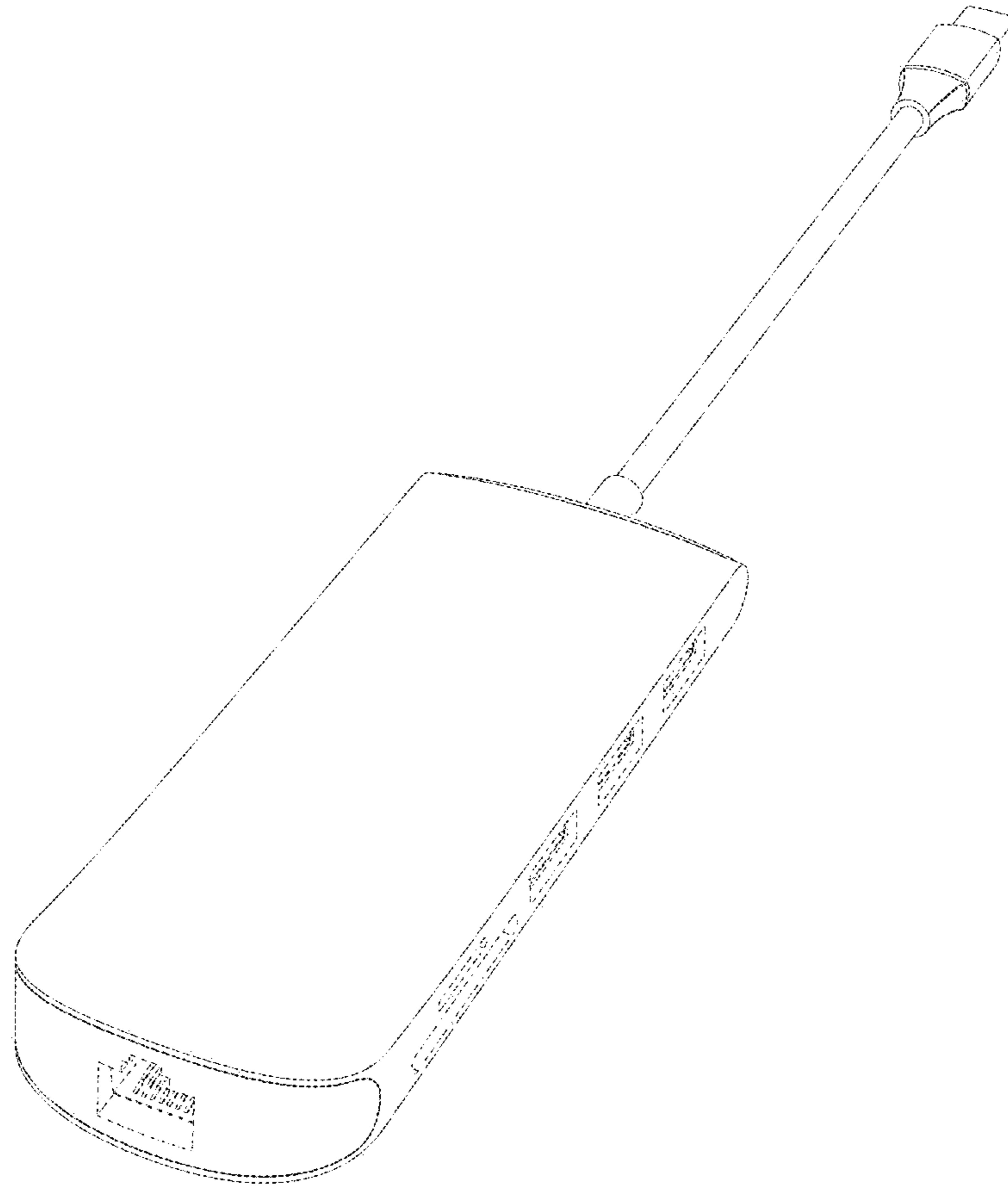


Fig 8

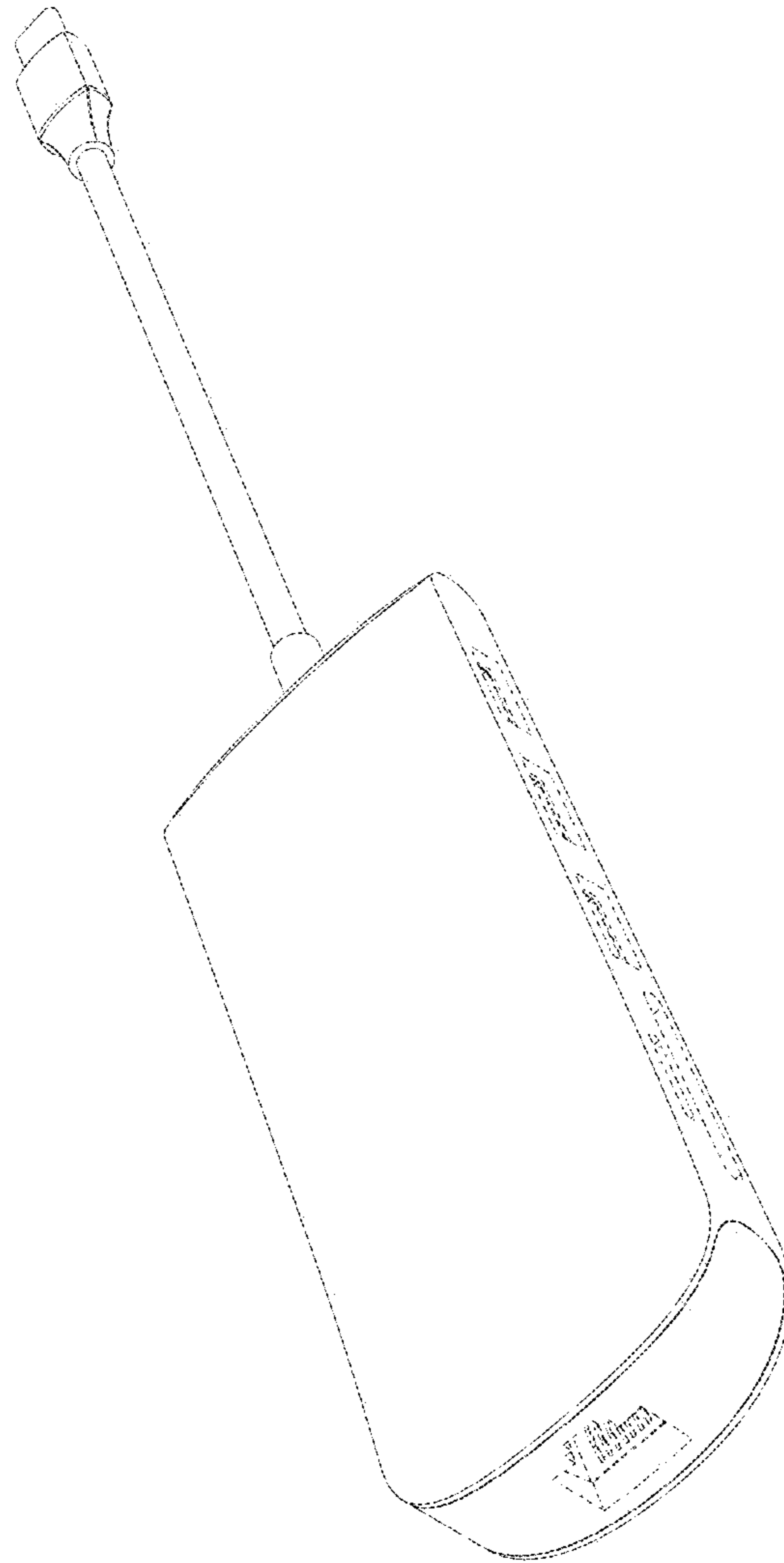


Fig 9



Fig 10

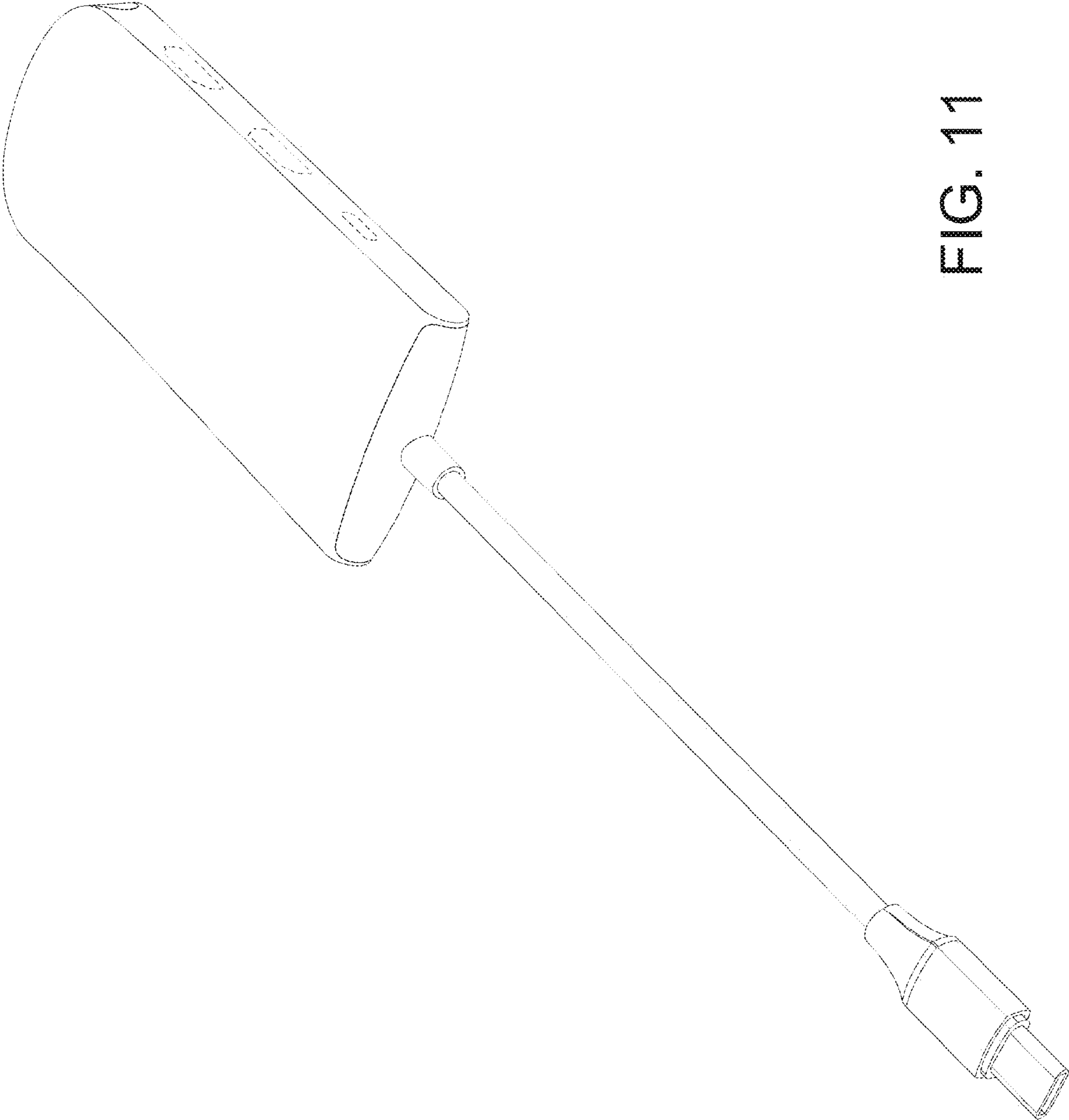


FIG. 11

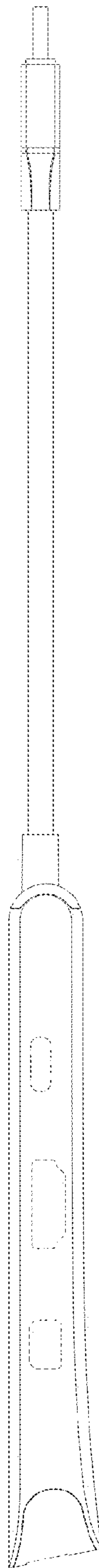


Fig 12

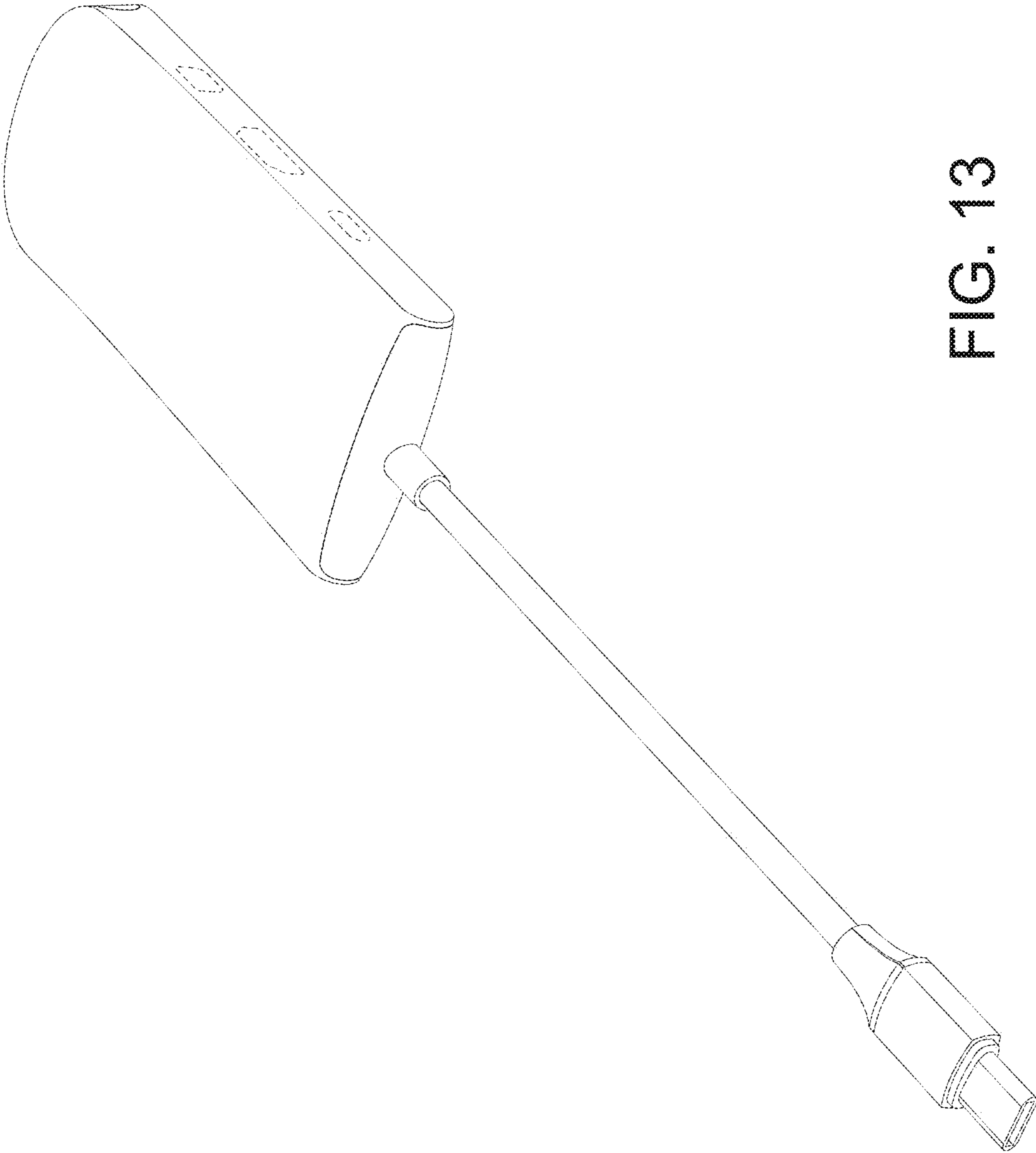


FIG. 13