



US00D912054S

(12) **United States Design Patent**  
**Isobe et al.**

(10) **Patent No.:** **US D912,054 S**  
(45) **Date of Patent:** **\*\* Mar. 2, 2021**

(54) **SCANNER**

(71) Applicant: **SEIKO EPSON CORPORATION,**  
Tokyo (JP)

(72) Inventors: **Shigeaki Isobe,** Matsumoto (JP);  
**Yoriko Hama,** Chino (JP)

(73) Assignee: **SEIKO EPSON CORPORATION,**  
Tokyo (JP)

(\*\*) Term: **15 Years**

(21) Appl. No.: **29/715,661**

(22) Filed: **Dec. 4, 2019**

(30) **Foreign Application Priority Data**

Jun. 19, 2019 (JP) ..... 2019-013476

(51) **LOC (13) Cl.** ..... **14-02**

(52) **U.S. Cl.**  
USPC ..... **D14/422**

(58) **Field of Classification Search**

USPC ..... D14/421-425; D18/40, 36-39, 41,  
D18/44-56, 34.3; 235/462, 455, 470,  
235/462.43, 482, 483; 358/474, 486, 488,  
358/496, 498, 452, 449, 451, 453.1, 1.13,  
358/1.16; 318/685, 696; 355/81, 75;  
399/405, 367, 379, 380; 382/217;  
715/209, 222, 226, 274; 400/613,  
400/613.1-613.4, 690.1-690.4, 691-694;  
271/264, 127, 131, 117, 118, 162  
CPC ..... H04N 1/00; H04N 1/12; H04N 1/00013;  
H04N 1/00015; H04N 1/00018; H04N  
1/00026; H04N 1/00557; H04N 1/00564;  
H04N 1/00567; H04N 1/0057; H04N  
1/00572; H04N 1/00586; H04N 1/00588;  
H04N 1/00591; H04N 1/00594; H04N  
1/00596; H04N 1/00604; H04N 1/00519;  
H04N 1/00559; H04N 1/1013; H04N  
1/10; H04N 1/00278; H04N 2201/0081;  
H04N 2201/0456; H04N 2201/0446;

H04N 2201/00; H04N 2201/0094; H04N  
1/00525; H04N 1/0049; H04N 1/00493;  
H04N 1/00496; H04N 1/00527; H04N  
1/0053; H04N 1/00533; H04N 1/00535;  
H04N 1/00538; H04N 1/00541; H04N  
1/00543; H04N 1/00551; H04N 1/00037;  
H04N 1/00092; H04N 1/00702; H04N  
1/02815; H04N 1/4076; H04N 1/40056;  
H04N 1/02845; G03G 15/0142; G03G  
15/605; G03G 15/602; B65H 5/26; B65H  
5/30; B65H 7/00; B65H 2402/515; B65H  
2402/31; B65H 2511/20; B65H 2511/414;  
(Continued)

(56) **References Cited**

**U.S. PATENT DOCUMENTS**

D286,639 S \* 11/1986 Strand ..... D18/55  
D292,976 S \* 12/1987 Kando ..... D14/150  
(Continued)

*Primary Examiner* — Susan Moon Lee

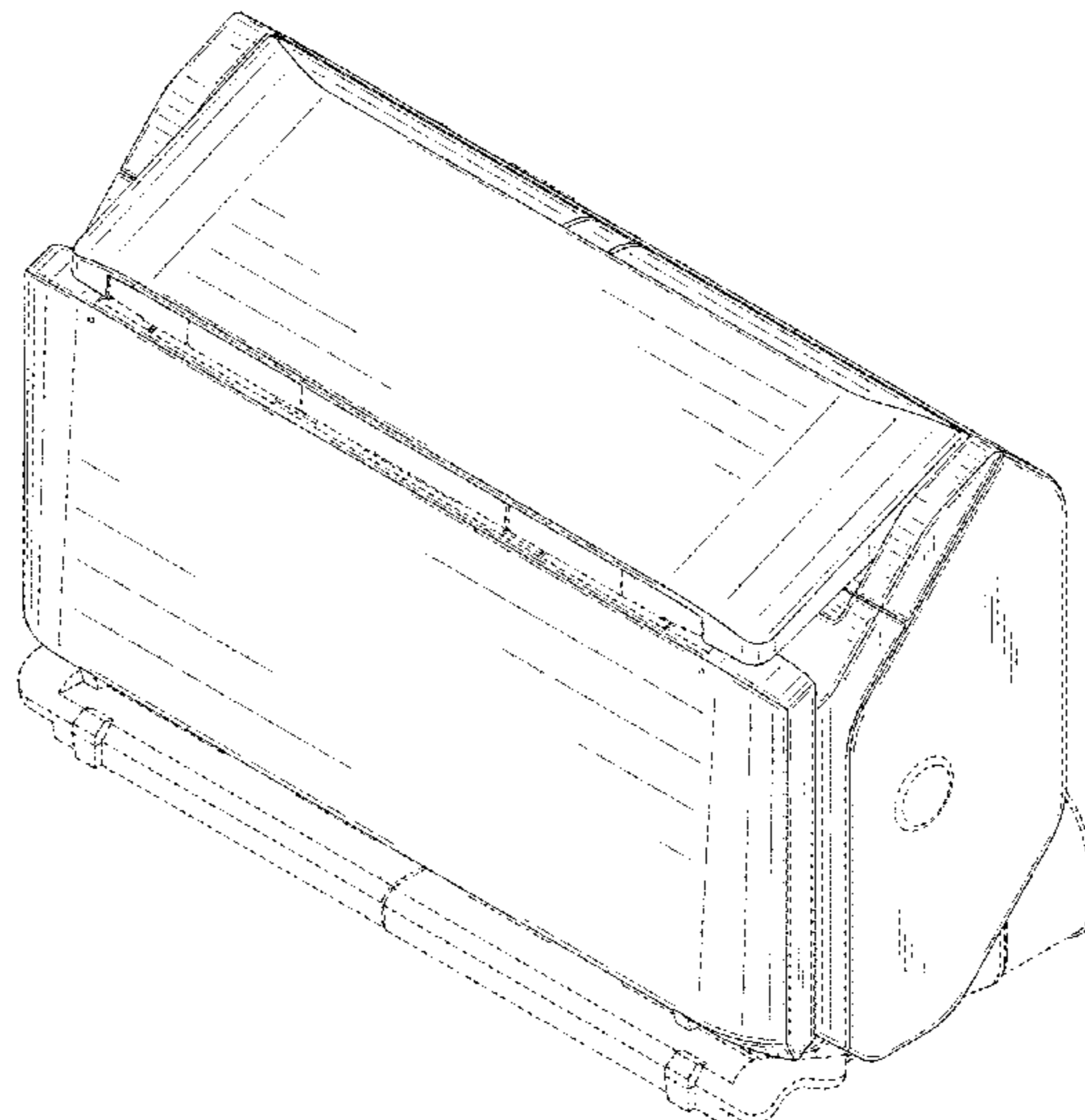
(57) **CLAIM**

The ornamental design for a scanner, as shown and described.

**DESCRIPTION**

FIG. 1 is a front, top and right side perspective view of a scanner showing our new design;  
FIG. 2 is a rear, top and left side perspective view thereof;  
FIG. 3 is a front view thereof;  
FIG. 4 is a rear view thereof;  
FIG. 5 is a top plan view thereof;  
FIG. 6 is a bottom plan view thereof;  
FIG. 7 is a right side view thereof; and,  
FIG. 8 is a left side view thereof.  
The broken lines illustrate portions of the scanner that form no part of the claimed design.

**1 Claim, 8 Drawing Sheets**



# US D912,054 S

(58) **Field of Classification Search**  
 CPC ..... B65H 2511/00194; B65H 2511/00198;  
 B65H 2511/00202; B65H 2511/00206;  
 B65H 2301/00; B65H 2220/04; B65H  
 3/5261; B65H 2513/42  
 See application file for complete search history.

(56) **References Cited**

U.S. PATENT DOCUMENTS

D310,096 S \* 8/1990 Heimburger ..... D18/55  
 D323,850 S \* 2/1992 Matsuo ..... D18/54  
 D328,309 S \* 7/1992 Tu ..... D18/34.3  
 D339,159 S \* 9/1993 Pruitt ..... D18/49  
 D340,740 S \* 10/1993 Kawashima ..... D18/50  
 D343,637 S \* 1/1994 Umino ..... D18/55  
 D344,754 S \* 3/1994 Parsey ..... D18/49  
 D349,922 S \* 8/1994 Tashiro ..... D18/50  
 D350,364 S \* 9/1994 Kawashima ..... D18/50  
 5,359,435 A \* 10/1994 Hayashi ..... H04N 1/00525  
 271/9.01  
 5,387,043 A \* 2/1995 Fujioka ..... B41J 3/36  
 400/625  
 D364,420 S \* 11/1995 Kawashima ..... D18/54  
 D370,026 S \* 5/1996 McGlashan ..... 347/108  
 D371,158 S \* 6/1996 Yoshida ..... D18/50  
 D373,378 S \* 9/1996 Brown ..... 347/108  
 D373,595 S \* 9/1996 Askren ..... D18/50  
 5,567,068 A \* 10/1996 Egashira ..... B41J 13/00  
 271/278  
 D378,100 S \* 2/1997 Sekine ..... D18/54  
 D378,757 S \* 4/1997 Dubson ..... 347/104  
 D378,926 S \* 4/1997 Dubson ..... D18/50  
 D379,828 S \* 6/1997 Dubson ..... 347/104  
 D382,894 S \* 8/1997 Berriman ..... 347/108  
 D384,969 S \* 10/1997 Inoue ..... D18/54  
 D388,405 S \* 12/1997 Lin ..... D14/422  
 D390,593 S \* 2/1998 Inoue ..... D18/54  
 D390,594 S \* 2/1998 Sekine ..... D18/54  
 D390,595 S \* 2/1998 Sekine ..... D18/54  
 D390,597 S \* 2/1998 Igarashi ..... D18/55  
 D392,311 S \* 3/1998 Takano ..... D18/50  
 D394,452 S \* 5/1998 Iwamoto ..... D18/54  
 D409,584 S \* 5/1999 Fetherolf ..... D14/422  
 D411,228 S \* 6/1999 Kobayashi ..... D18/50  
 5,917,995 A \* 6/1999 Ota ..... B41J 3/37  
 347/108  
 D414,472 S \* 9/1999 Metzler ..... D14/422  
 D414,508 S \* 9/1999 Pangburn ..... D18/55  
 D414,799 S \* 10/1999 Cook ..... D18/55  
 D421,768 S \* 3/2000 Blair ..... D18/50  
 D423,563 S \* 4/2000 Collins ..... D18/55  
 D424,099 S \* 5/2000 Pangburn ..... D18/50  
 D424,102 S \* 5/2000 Igarashi ..... D18/54  
 D424,609 S \* 5/2000 Inoue ..... D18/54  
 D430,597 S \* 9/2000 Ishiguro ..... D18/55  
 D430,599 S \* 9/2000 Gasset ..... D18/55  
 D433,442 S \* 11/2000 Clark, III ..... 14/2  
 D439,274 S \* 3/2001 Dwyer ..... D18/55  
 D439,275 S \* 3/2001 Ohashi ..... D18/55  
 D440,246 S \* 4/2001 Yin ..... D18/50  
 D441,358 S \* 5/2001 Chu ..... D14/337  
 D441,783 S \* 5/2001 Kawahara ..... D18/55  
 D443,296 S \* 6/2001 Dwyer ..... D18/55  
 D449,066 S \* 10/2001 Dwyer ..... D18/55  
 D450,345 S \* 11/2001 Miyazaki ..... D18/50  
 6,367,996 B1 \* 4/2002 Edwards ..... B41J 11/42  
 400/279  
 D459,751 S \* 7/2002 Hsiao ..... D15/146  
 6,443,553 B2 \* 9/2002 Bailey ..... B41J 2/17503  
 347/37  
 D467,963 S \* 12/2002 Miyahara ..... D18/54  
 D468,764 S \* 1/2003 Miyahara ..... D18/54  
 D474,501 S \* 5/2003 Hayashi ..... D18/55  
 D477,019 S \* 7/2003 Dwyer ..... D18/55  
 D478,594 S \* 8/2003 Ichiyoshi ..... D14/422

D478,618 S \* 8/2003 Obara ..... D18/54  
 D489,755 S \* 5/2004 Wong ..... D18/55  
 D490,462 S \* 5/2004 Chua ..... D18/55  
 D492,960 S \* 7/2004 Takizawa ..... D18/54  
 D499,759 S \* 12/2004 Kobayashi ..... D18/55  
 D530,364 S \* 10/2006 Huang ..... D18/55  
 D530,739 S \* 10/2006 Tsai ..... D18/55  
 D542,292 S \* 5/2007 Kitamura ..... D14/422  
 D543,583 S \* 5/2007 Workman ..... D18/34.3  
 D560,250 S \* 1/2008 Ito ..... D18/50  
 D586,383 S \* 2/2009 Takatani ..... D18/50  
 7,636,528 B2 \* 12/2009 Sato ..... G03G 15/00  
 399/107  
 D607,502 S \* 1/2010 Lee ..... D18/50  
 D610,146 S \* 2/2010 Kuroda ..... D14/422  
 D624,573 S \* 9/2010 Hall ..... D15/146  
 D624,574 S \* 9/2010 Hall ..... D15/146  
 D625,304 S \* 10/2010 Armstrong ..... D14/307  
 D632,295 S \* 2/2011 Kuroda ..... D14/422  
 D650,387 S \* 12/2011 Iwatsu ..... D14/422  
 D682,328 S \* 5/2013 Day ..... D15/146  
 D682,329 S \* 5/2013 Day ..... D15/146  
 D689,865 S \* 9/2013 Kitamura ..... D14/422  
 D689,866 S \* 9/2013 Anzai ..... D14/422  
 D694,792 S \* 12/2013 Day ..... D15/146  
 D696,339 S \* 12/2013 Hasui ..... D18/34.3  
 D699,781 S \* 2/2014 Hasui ..... D18/34.9  
 D700,908 S \* 3/2014 Taniho ..... D14/422  
 D703,735 S \* 4/2014 Best ..... D18/50  
 D703,736 S \* 4/2014 Best ..... D18/50  
 D713,845 S \* 9/2014 Taniho ..... D14/422  
 D716,305 S \* 10/2014 Tani ..... D14/422  
 D719,168 S \* 12/2014 Tani ..... D14/422  
 D723,562 S \* 3/2015 Inada ..... D14/422  
 D736,773 S \* 8/2015 Okamoto ..... D14/422  
 D743,482 S \* 11/2015 Kim ..... D18/50  
 D759,158 S \* 6/2016 Lee ..... D18/50  
 D760,316 S \* 6/2016 Kim ..... D18/50  
 D763,954 S \* 8/2016 Kim ..... D18/50  
 D763,959 S \* 8/2016 Lee ..... D18/56  
 9,415,954 B2 \* 8/2016 Ukai ..... B65H 1/02  
 D766,246 S \* 9/2016 Inada ..... D14/422  
 D771,181 S \* 11/2016 Jung ..... D18/50  
 D794,640 S \* 8/2017 Shigeno ..... D14/422  
 D797,744 S \* 9/2017 Tan ..... D14/422  
 D813,871 S \* 3/2018 Egami ..... D14/422  
 D823,936 S \* 7/2018 Nanno ..... D18/34.3  
 D832,337 S \* 10/2018 Nanno ..... D18/34.3  
 D844,004 S \* 3/2019 Ishida ..... D14/422  
 D845,951 S \* 4/2019 Shigeno ..... D14/422  
 D861,690 S \* 10/2019 Shibuya ..... D14/422  
 D863,305 S \* 10/2019 Egami ..... D14/422  
 D881,887 S \* 4/2020 Peng ..... D14/422  
 D893,565 S \* 8/2020 Jeffery ..... D15/122  
 2003/0063337 A1 \* 4/2003 Shirai ..... H04N 1/00631  
 358/498  
 2003/0095296 A1 \* 5/2003 Terashima ..... H04N 1/00713  
 358/498  
 2007/0188818 A1 \* 8/2007 Westcott ..... H04N 1/00583  
 358/296  
 2009/0230611 A1 \* 9/2009 Ngai ..... H04N 1/0053  
 271/145  
 2010/0053701 A1 \* 3/2010 Yoshida ..... H04N 1/00535  
 358/474  
 2010/0060948 A1 \* 3/2010 Yoshida ..... H04N 1/00554  
 358/474  
 2013/0056924 A1 \* 3/2013 Mizuno ..... B65H 31/00  
 271/162  
 2013/0057932 A1 \* 3/2013 Mukai ..... H04N 1/00535  
 358/498  
 2013/0135697 A1 \* 5/2013 Ukai ..... H04N 1/00543  
 358/498  
 2013/0163056 A1 \* 6/2013 Hanayama ..... H04N 1/0005  
 358/474  
 2014/0061998 A1 \* 3/2014 Kasashima ..... B65H 5/06  
 271/10.11  
 2014/0063573 A1 \* 3/2014 Yonemura ..... H04N 1/00244  
 358/498

(56)

**References Cited**

U.S. PATENT DOCUMENTS

2017/0043968 A1\* 2/2017 Nagai ..... B65H 1/266  
2017/0267476 A1\* 9/2017 Miyagi ..... H04N 1/00588  
2017/0279991 A1\* 9/2017 Shiota ..... H04N 1/00588  
2018/0007221 A1\* 1/2018 Mokuo ..... H04N 1/00591  
2018/0091695 A1\* 3/2018 Suzuki ..... H04N 1/40056  
2018/0170695 A1\* 6/2018 Kitsuki ..... H04N 1/00588  
2018/0176398 A1\* 6/2018 Harada ..... B65H 31/22  
2018/0179006 A1\* 6/2018 Kogi ..... B65H 7/125  
2018/0194579 A1\* 7/2018 Harada ..... B65H 3/0653

\* cited by examiner

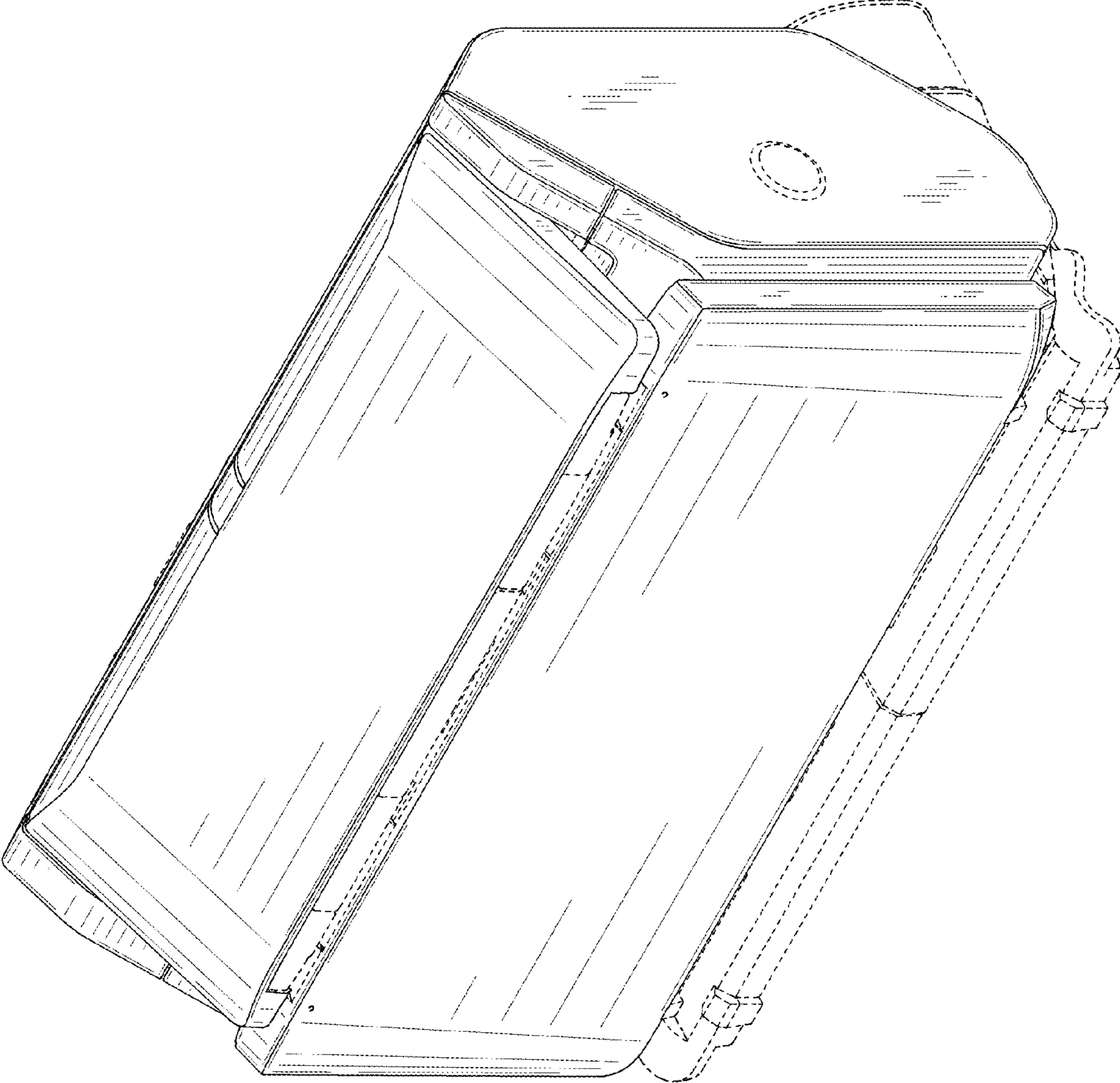


FIG.1

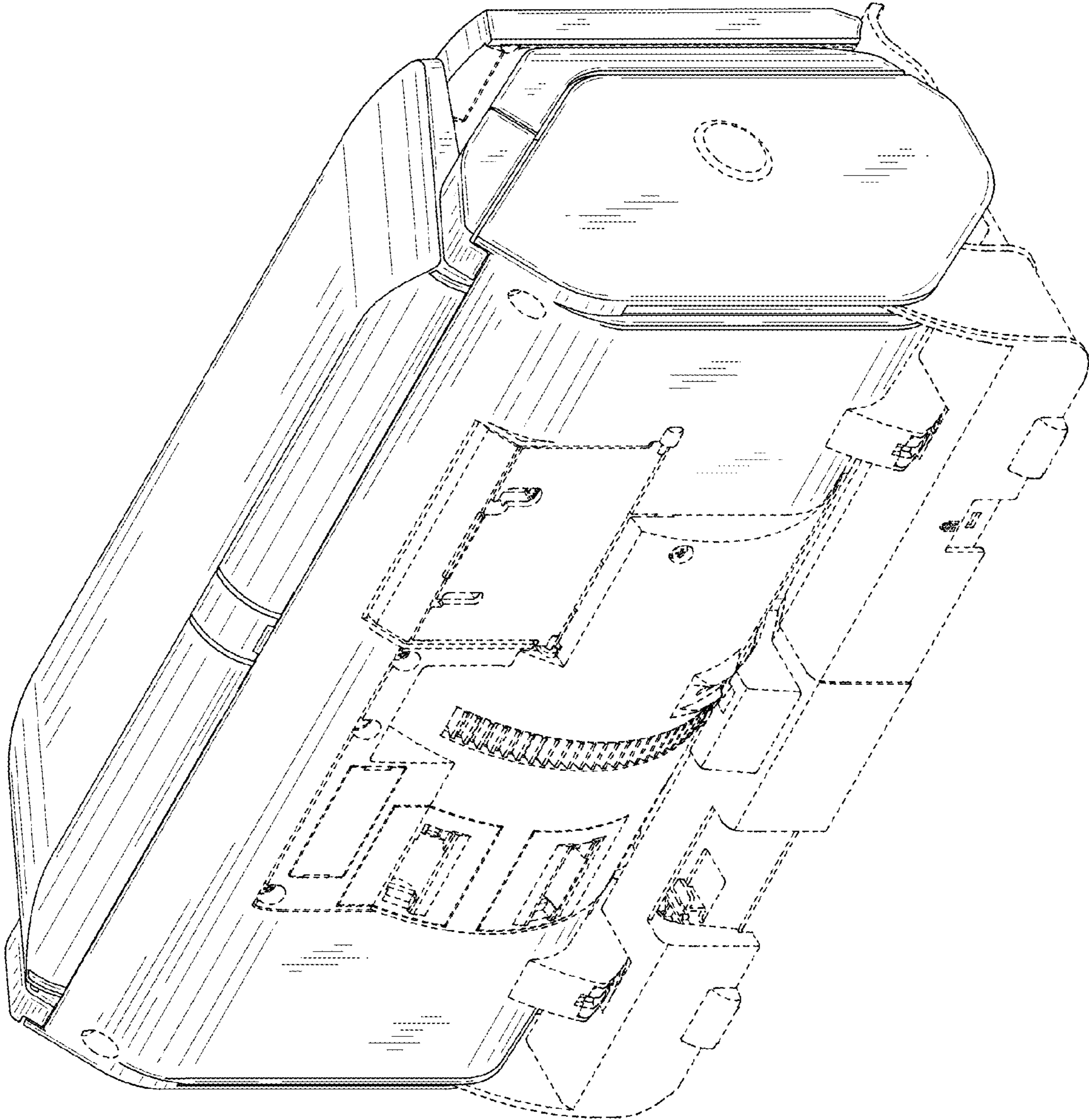


FIG.2

FIG.3

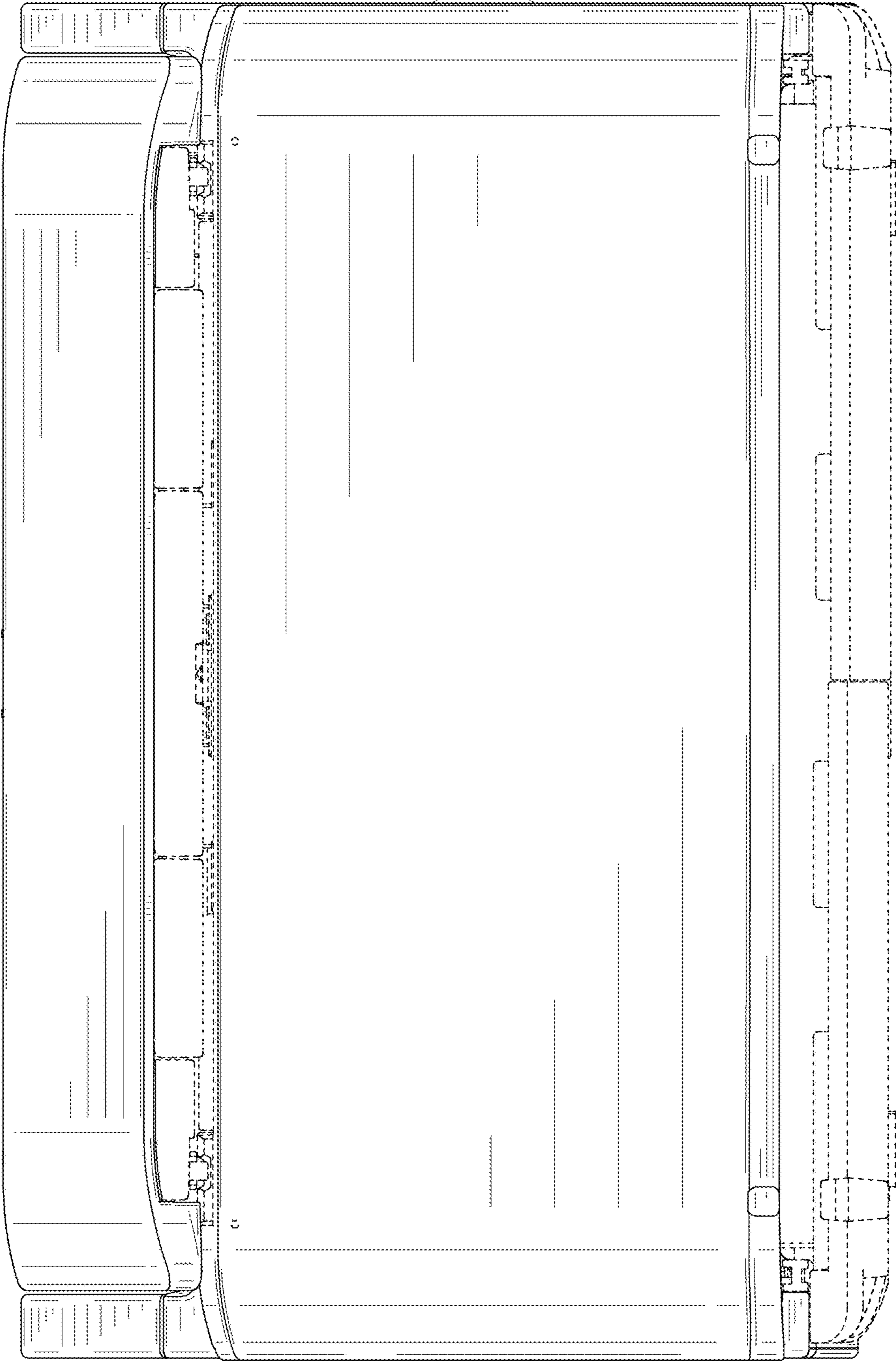


FIG.4

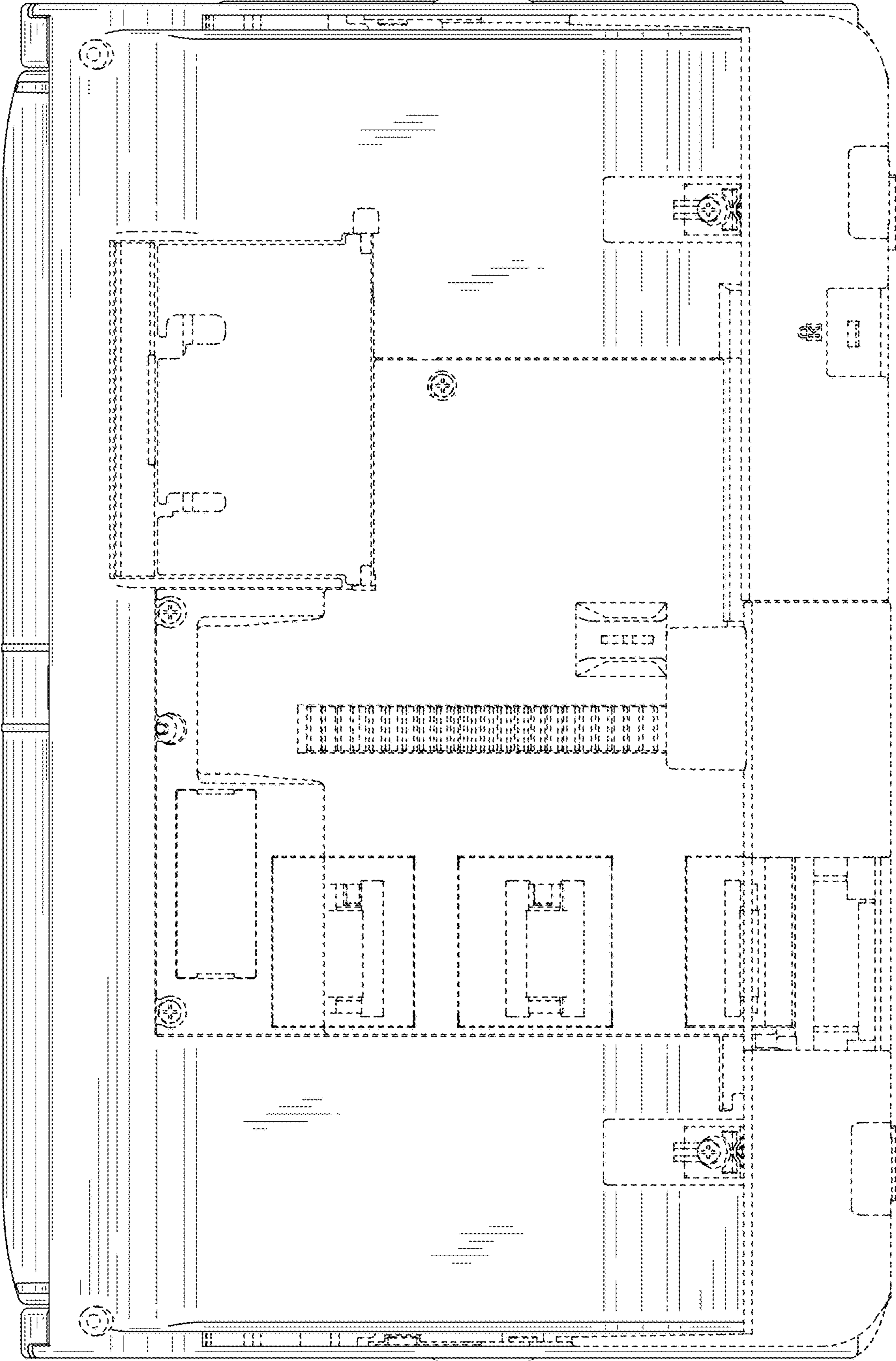


FIG.5

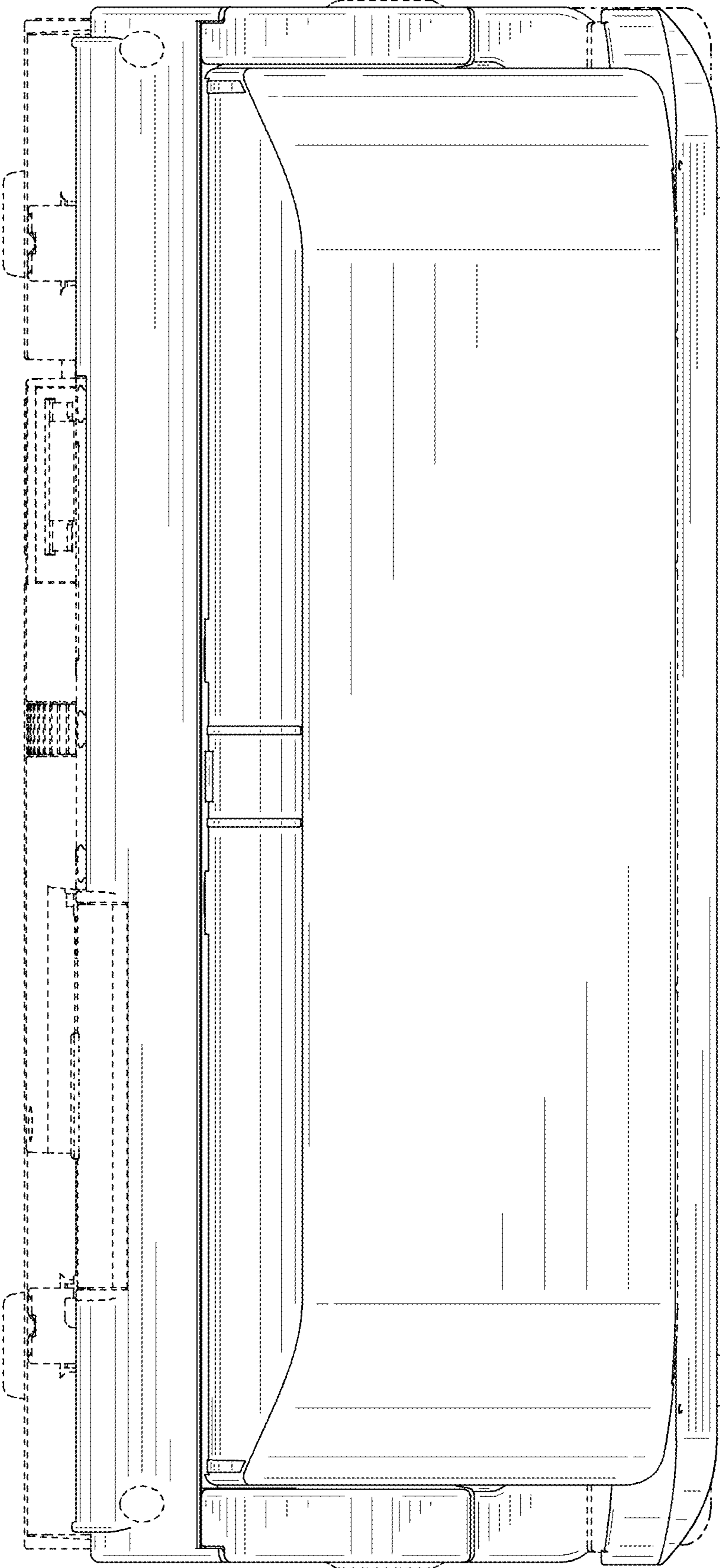
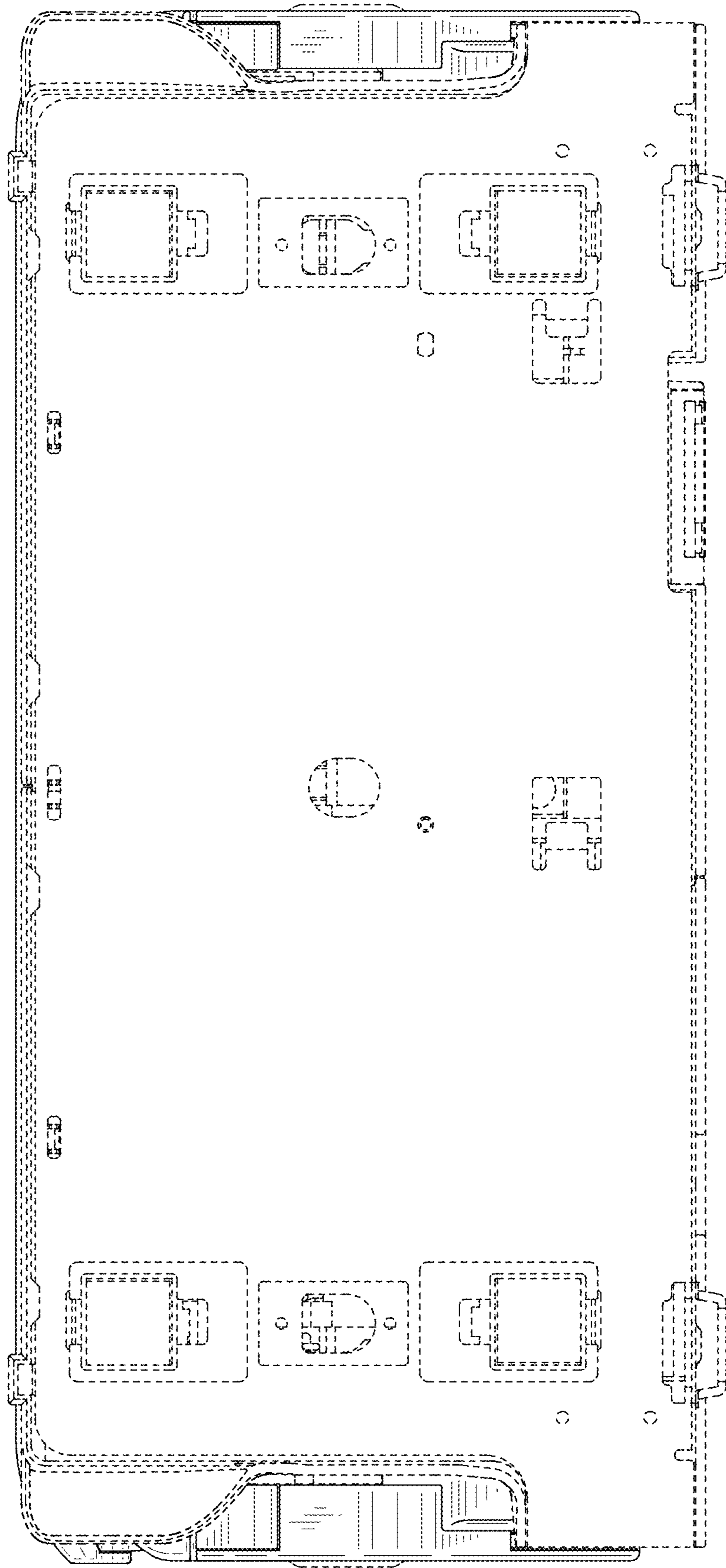




FIG.6



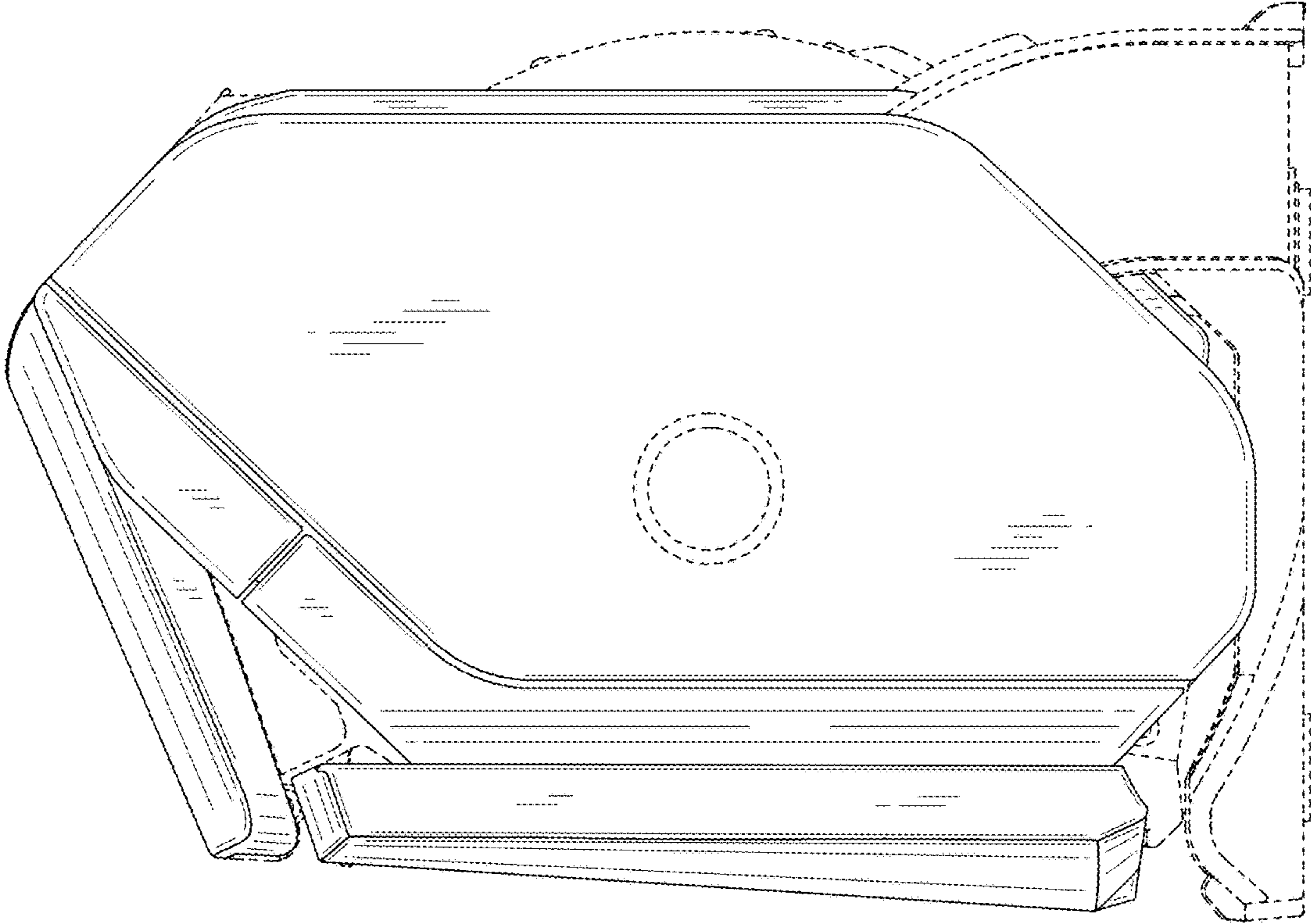


FIG.7

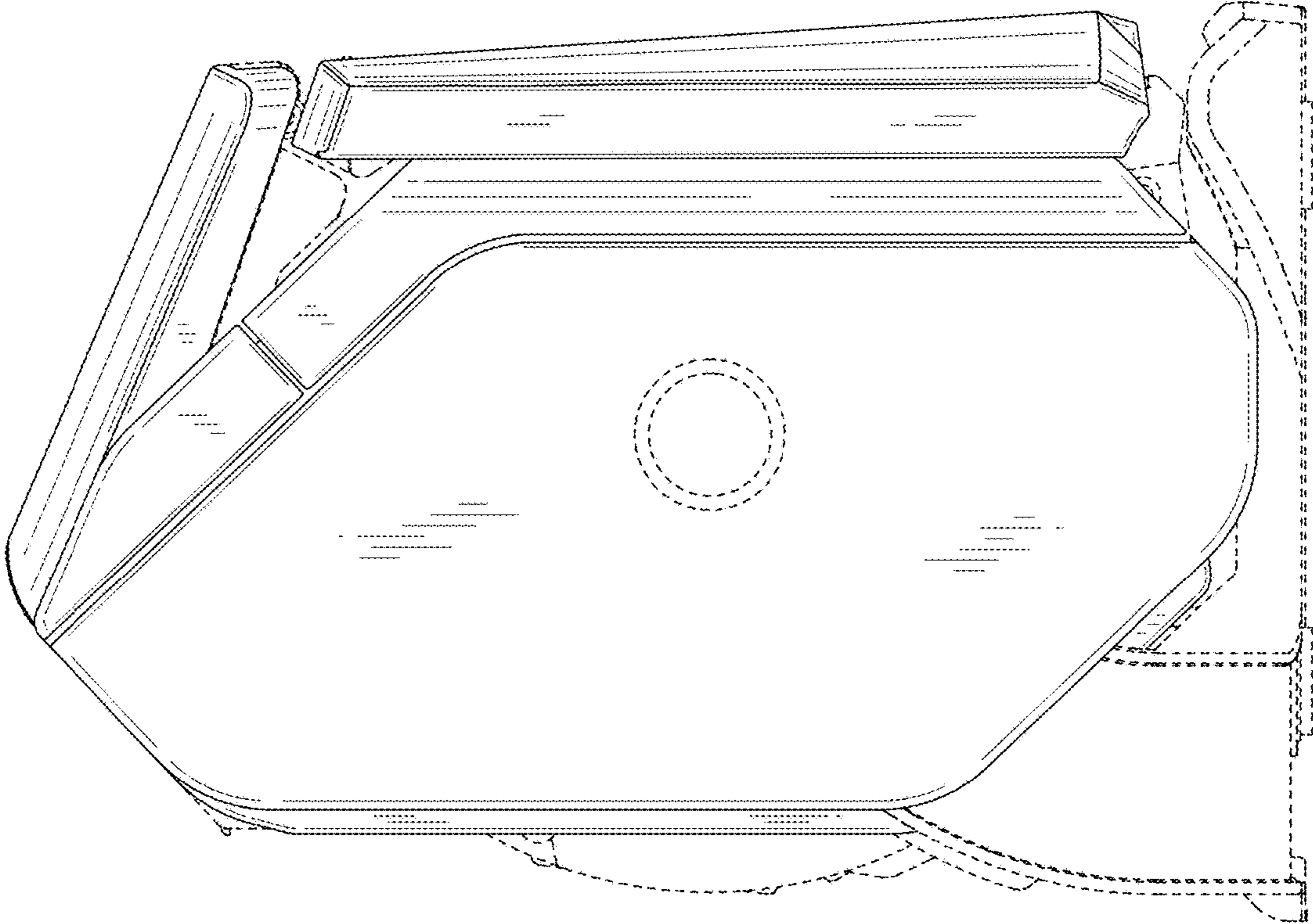


FIG.8