



US00D912051S

(12) **United States Design Patent**
Chan

(10) **Patent No.:** **US D912,051 S**

(45) **Date of Patent:** **** Mar. 2, 2021**

(54) **COMPUTER MOUSE**

(71) Applicant: **KYE SYSTEMS CORP.**, New Taipei (TW)

(72) Inventor: **Chi-Wai Chan**, New Taipei (TW)

(73) Assignee: **KYE SYSTEMS CORP.**, New Taipei (TW)

(**) Term: **15 Years**

(21) Appl. No.: **29/712,547**

(22) Filed: **Nov. 8, 2019**

(51) **LOC (13) Cl.** **14-02**

(52) **U.S. Cl.**
USPC **D14/408**

(58) **Field of Classification Search**
USPC D14/402-411, 356, 388, 389, 383-385, D14/417, 426; 345/156-167; 463/36-38; 358/471, 473; 273/148 B
CPC G06F 3/03543; G06F 2203/0333; G06F 3/039; G06F 3/038; G06F 2203/0384
See application file for complete search history.

(56) **References Cited**

U.S. PATENT DOCUMENTS

D411,189 S * 6/1999 Liao D14/409
D460,071 S * 7/2002 Sheehan D14/402
D513,259 S * 12/2005 Chen D14/402

D581,417 S * 11/2008 Huang D14/402
D591,298 S * 4/2009 Huang D14/402
D591,299 S * 4/2009 Chen D14/402
D617,324 S * 6/2010 Fang D14/402
D651,604 S * 1/2012 Fischer D14/408
D656,499 S * 3/2012 Lee D14/408
D689,494 S * 9/2013 Widiaman D14/408
D803,838 S * 11/2017 Raken D14/408
D807,359 S * 1/2018 Jeong D14/408
D821,399 S * 6/2018 Jones D14/402

* cited by examiner

Primary Examiner — Austin Murphy

(74) *Attorney, Agent, or Firm* — Maschoff Brennan

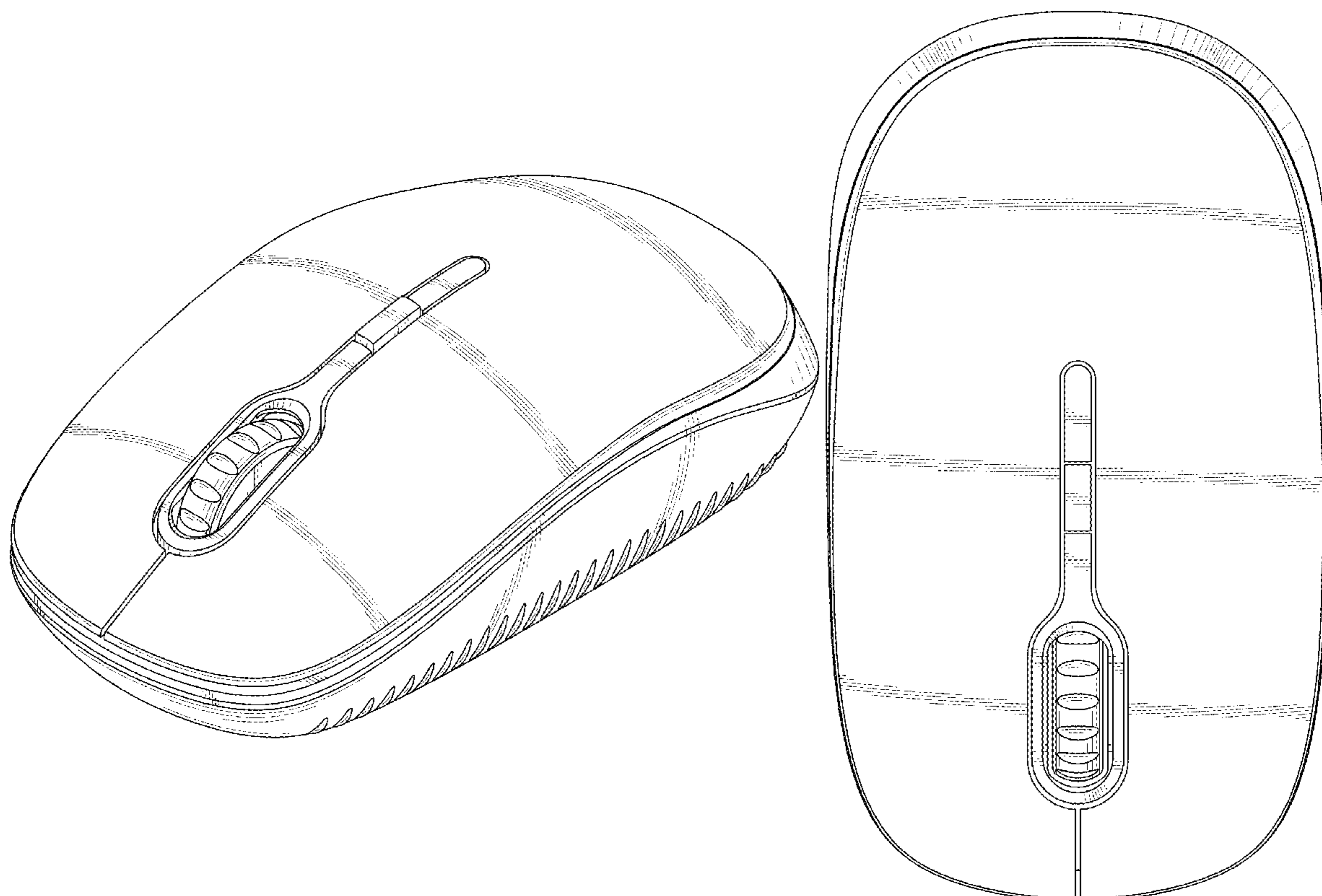
(57) **CLAIM**

The ornamental design for a computer mouse, as shown and described.

DESCRIPTION

FIG. 1 is a top, front and right side perspective view of a computer mouse showing my new design;
FIG. 2 is a top, rear and left side perspective view thereof;
FIG. 3 is a bottom, front and right side perspective view thereof;
FIG. 4 is a front view thereof;
FIG. 5 is a rear view thereof;
FIG. 6 is a left side view thereof;
FIG. 7 is a right side view thereof;
FIG. 8 is a top view thereof; and,
FIG. 9 is a bottom view thereof.

1 Claim, 9 Drawing Sheets



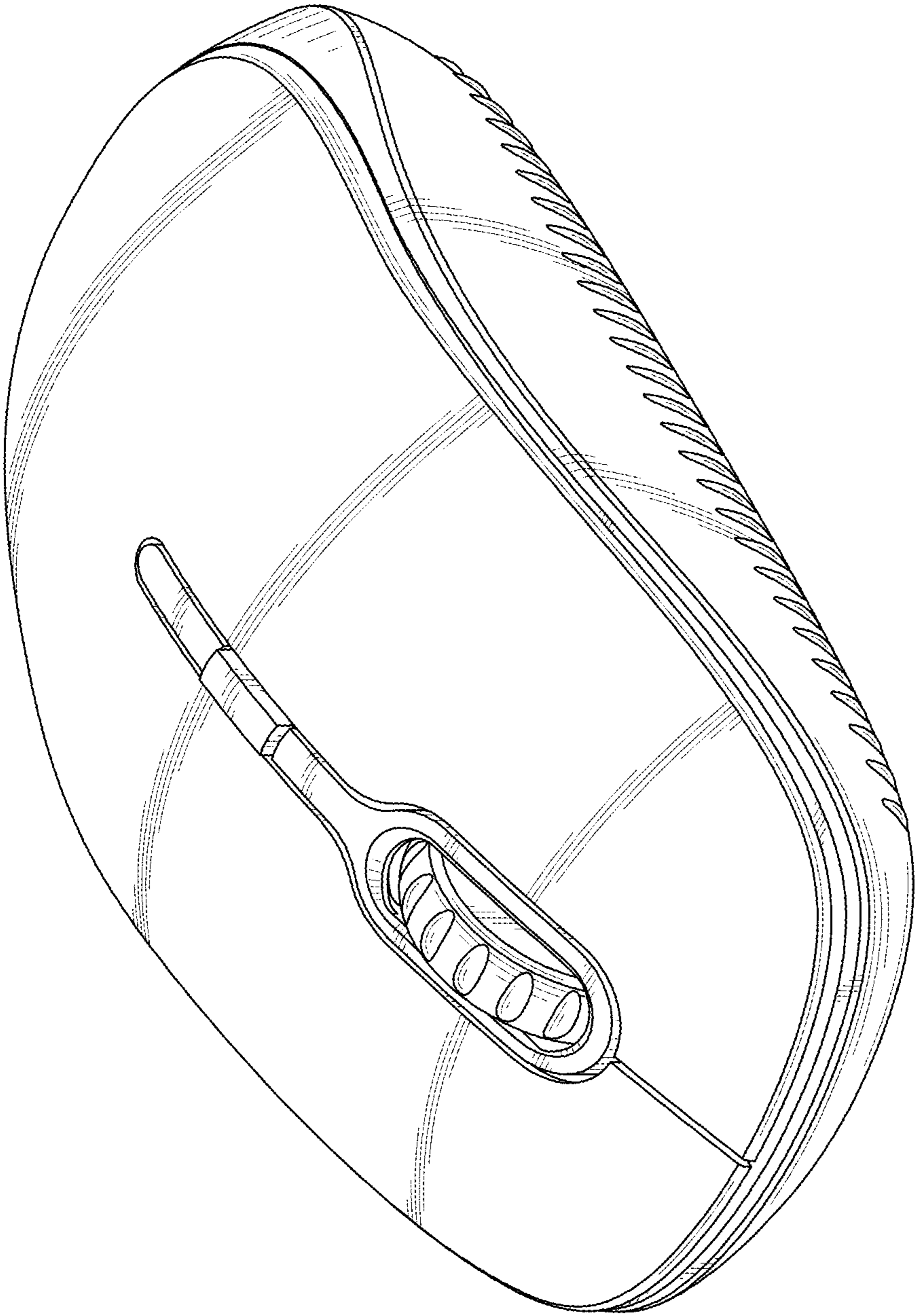


FIG. 1

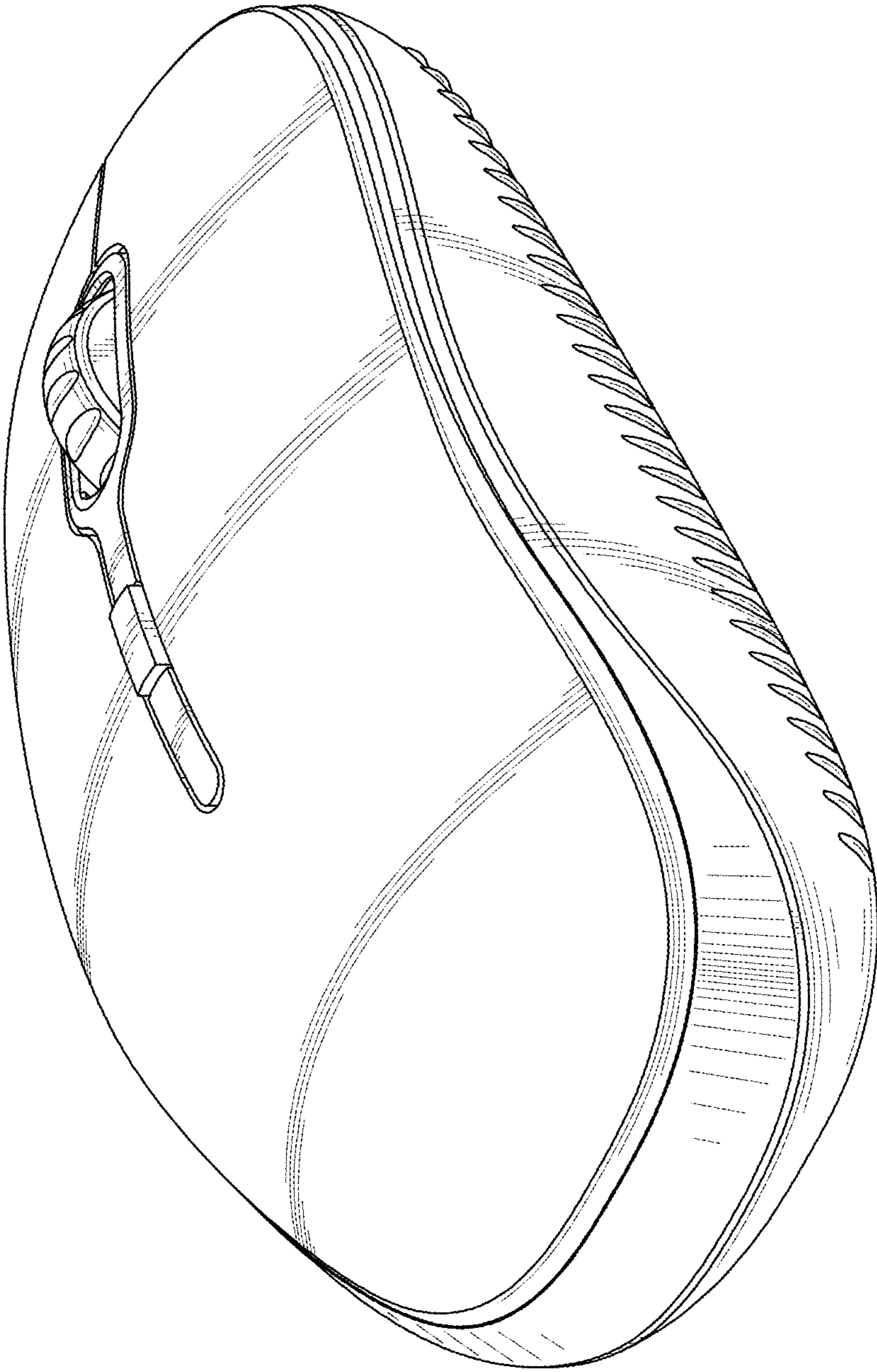


FIG. 2

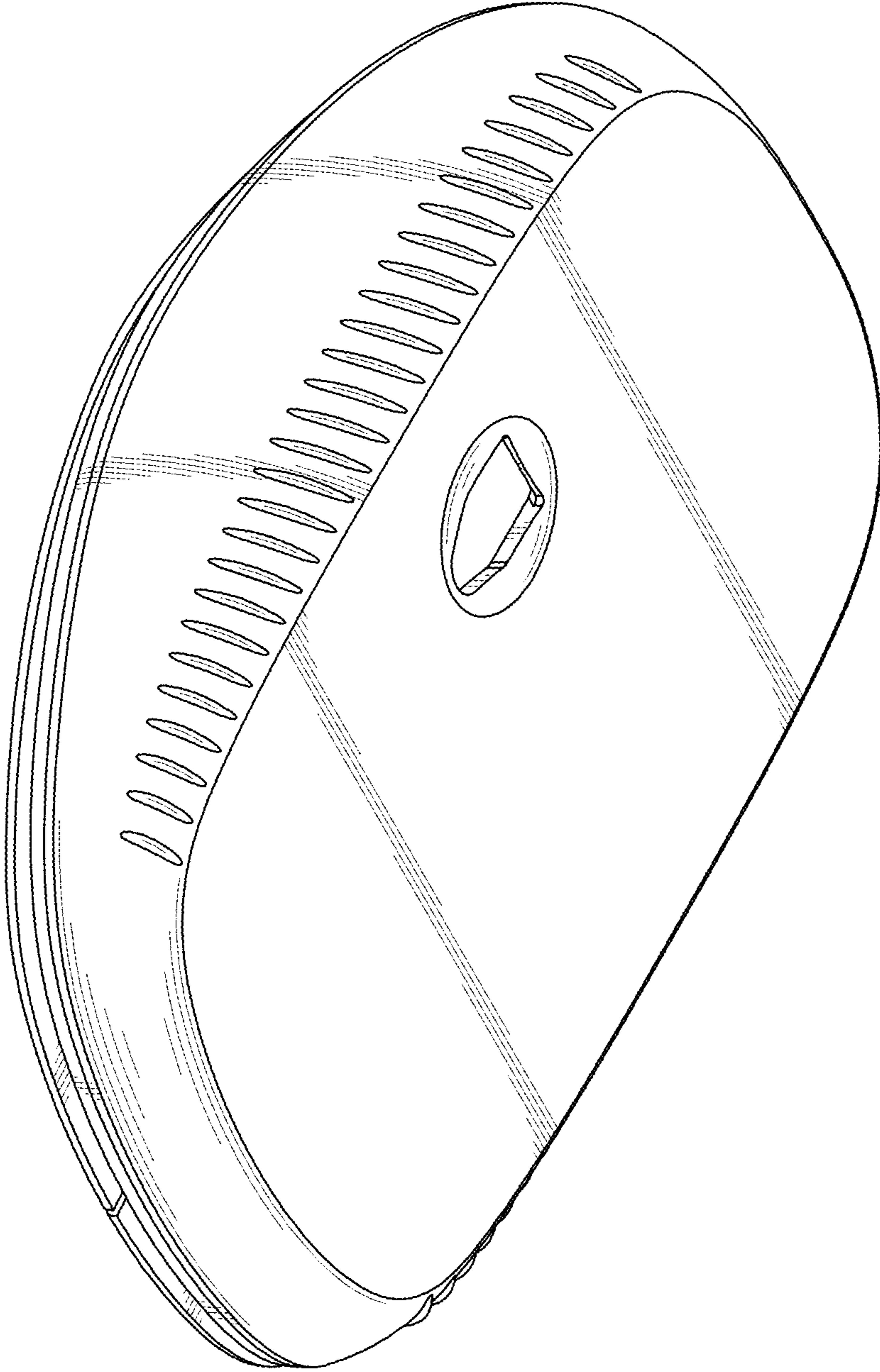


FIG. 3

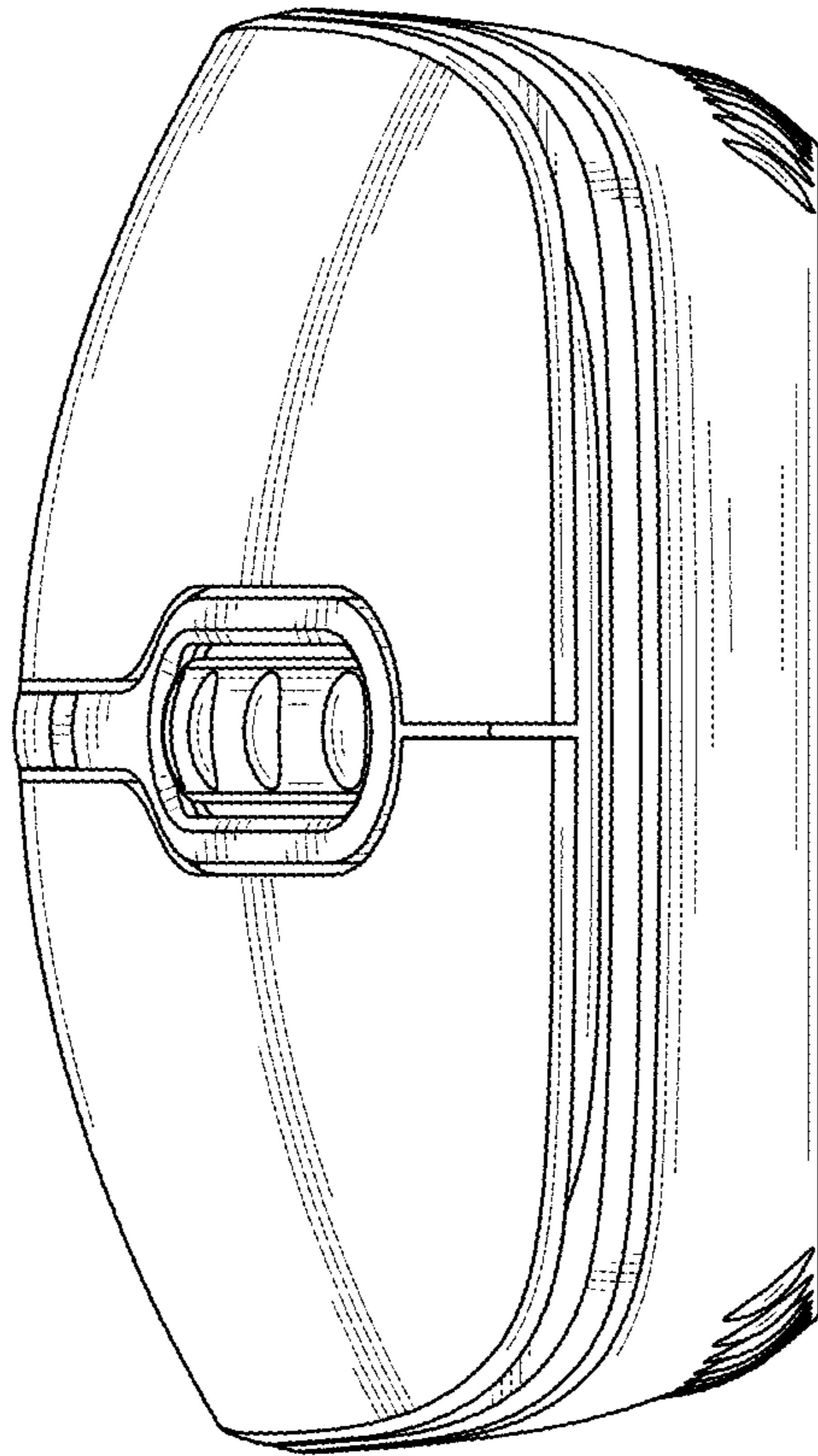


FIG. 4

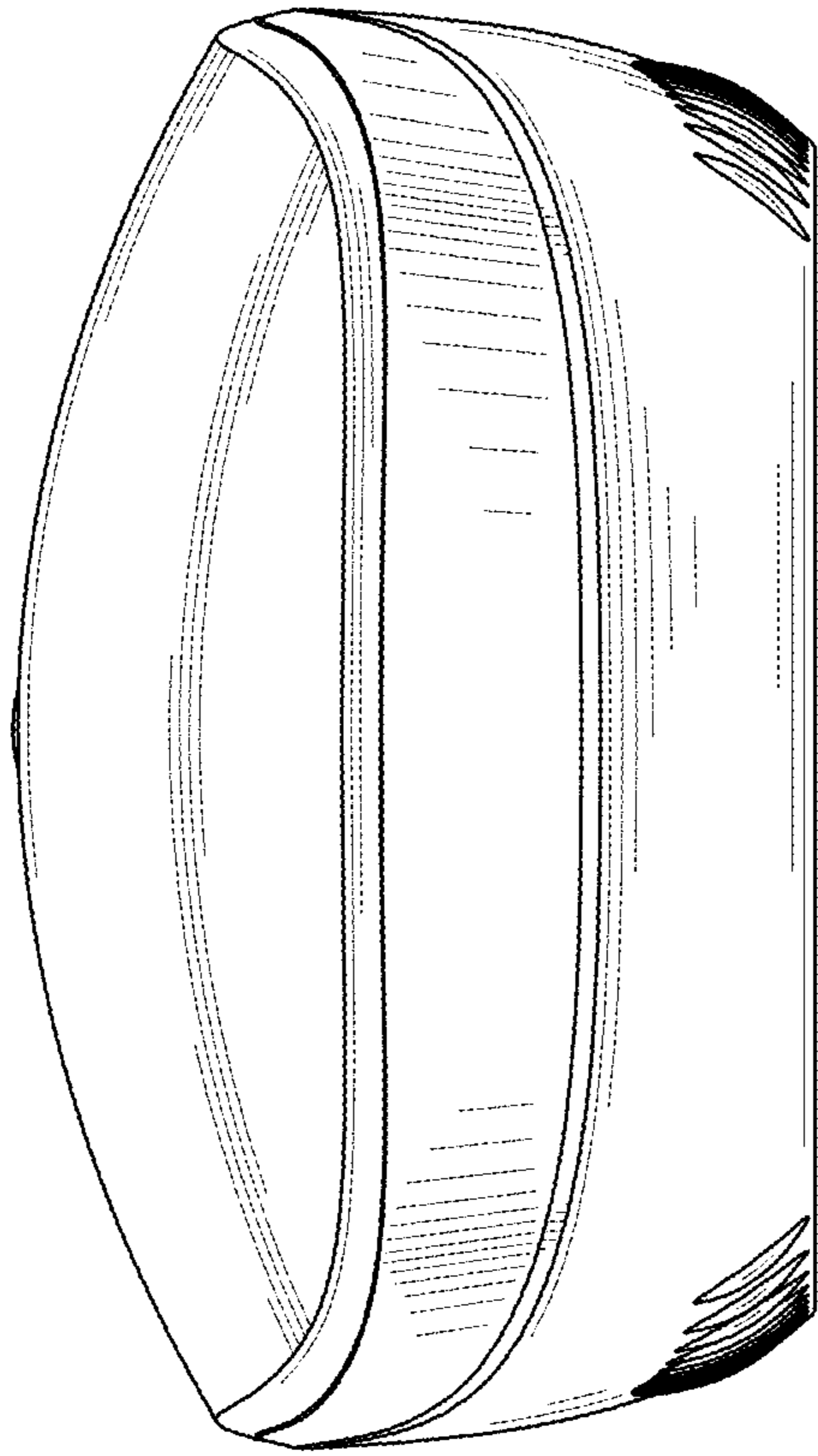


FIG. 5

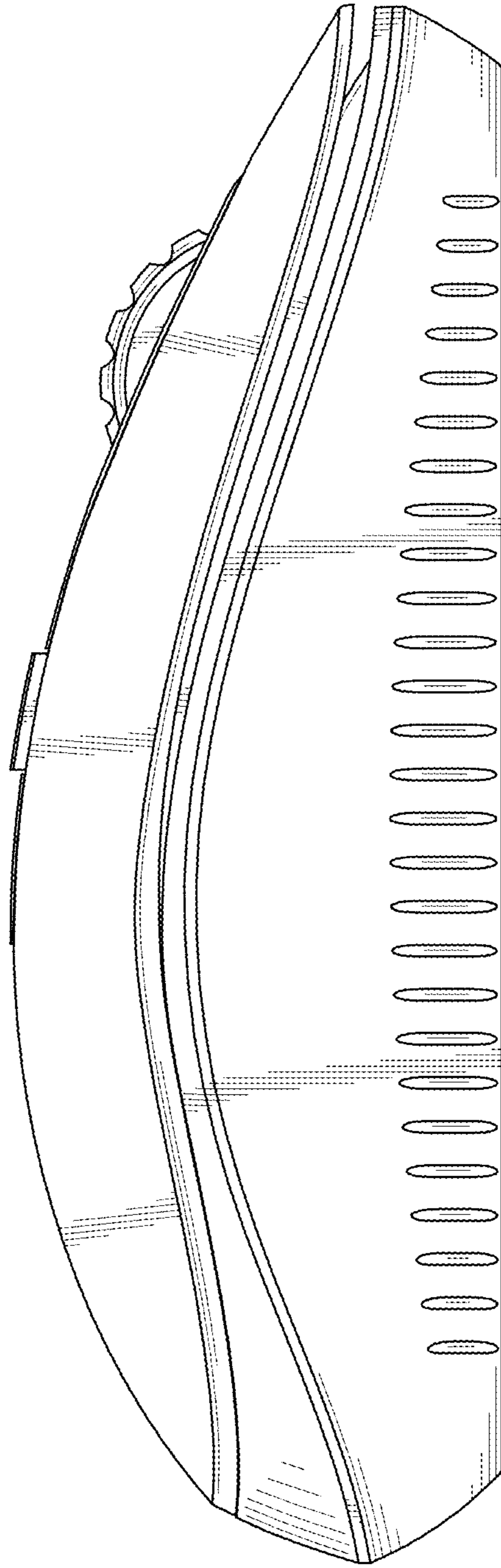


FIG. 6

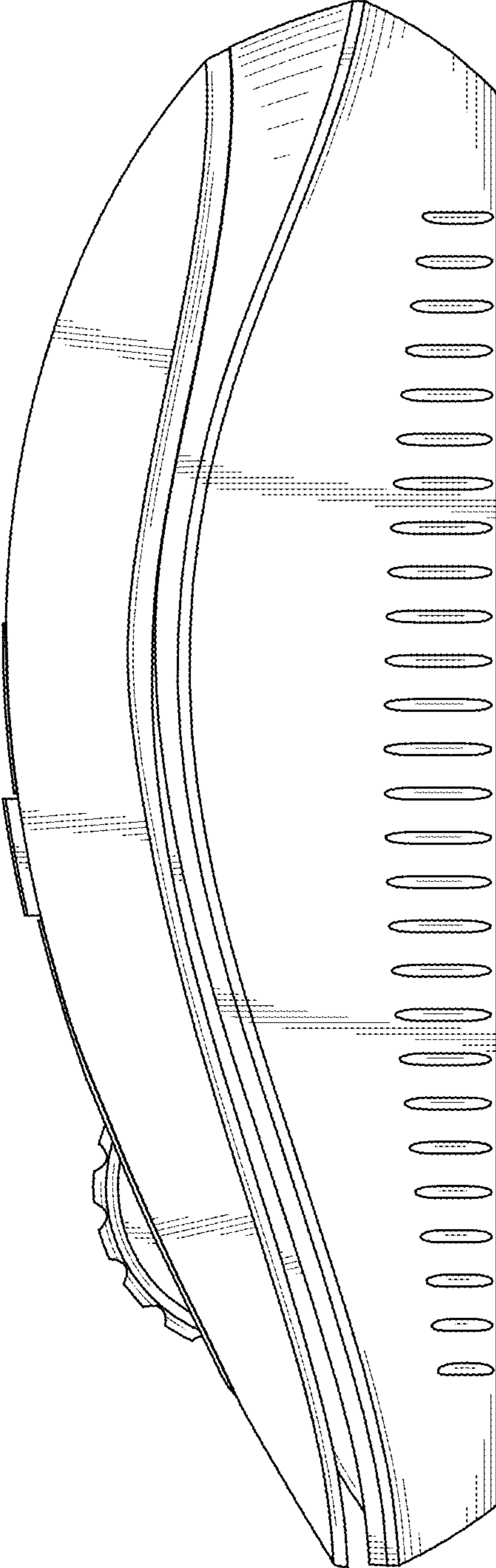


FIG. 7

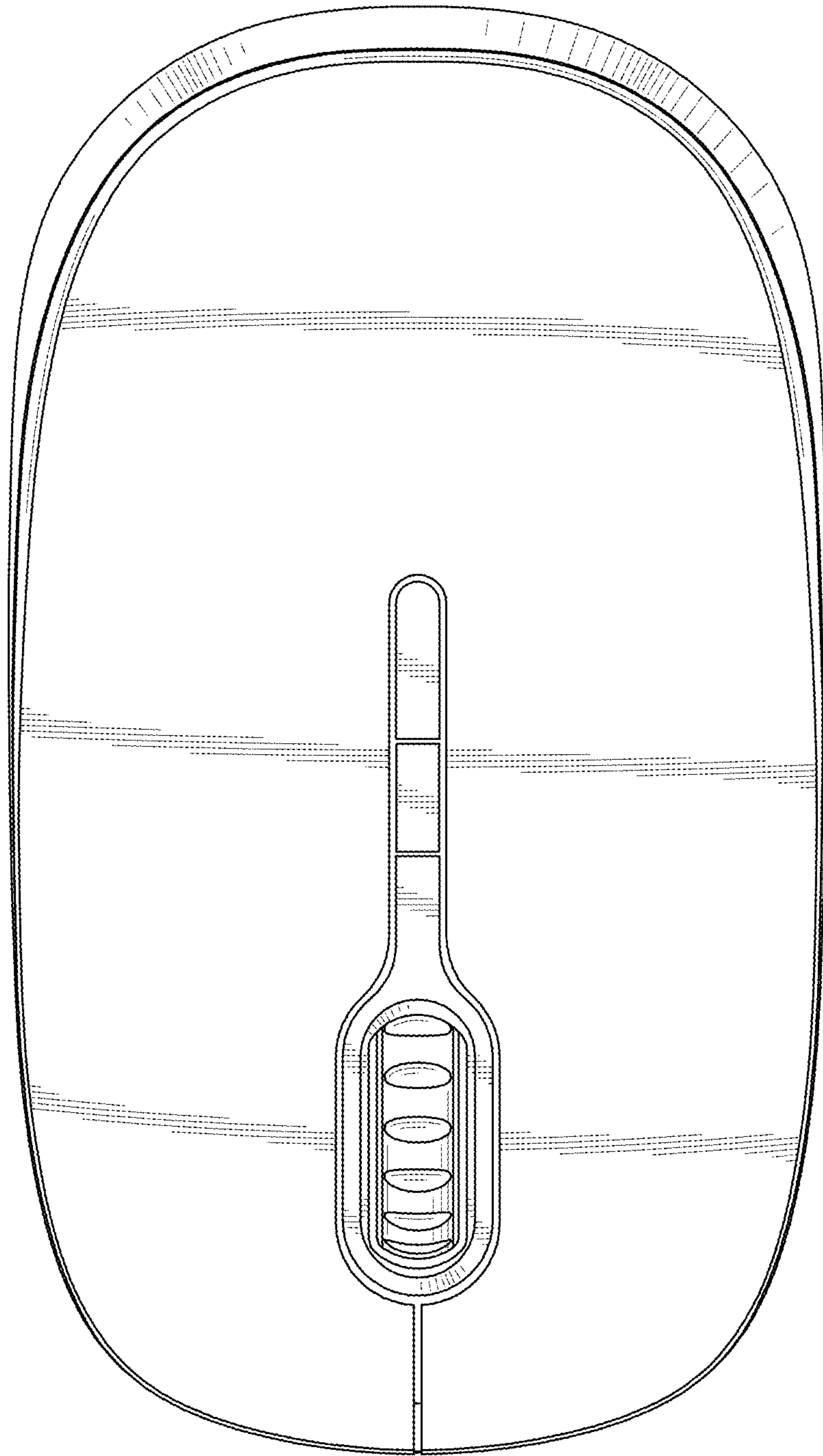


FIG. 8

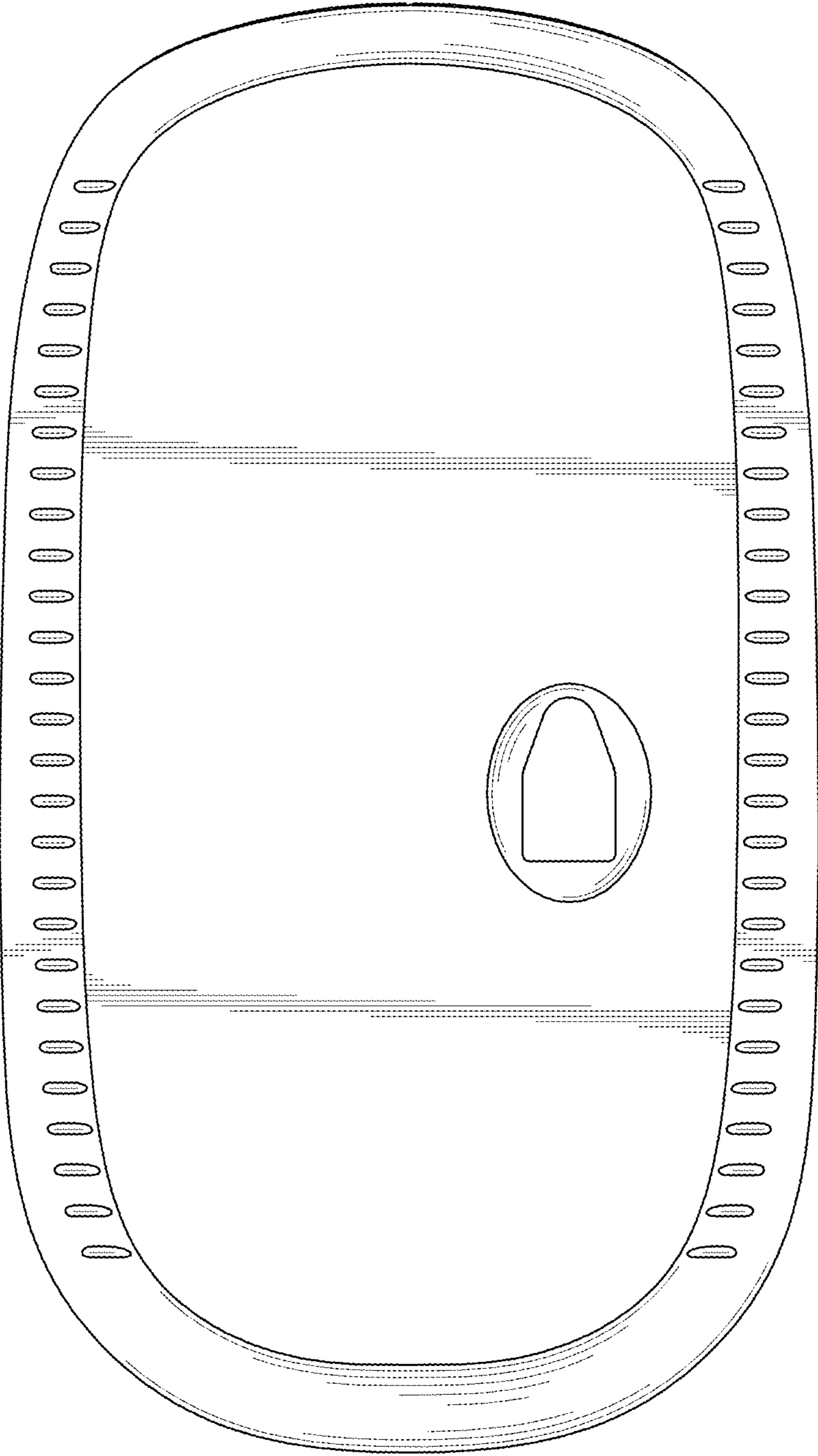


FIG. 9