



US00D912049S

(12) **United States Design Patent**
Zhang et al.

(10) **Patent No.:** **US D912,049 S**
(45) **Date of Patent:** **** Mar. 2, 2021**

(54) **TOUCH DISPLAY**

D618,241 S * 6/2010 Akana D14/374
D620,932 S * 8/2010 Andre D14/336
D621,830 S * 8/2010 Andre D14/336

(71) Applicant: **YEALINK (XIAMEN) NETWORK TECHNOLOGY CO., LTD.**, Fujian (CN)

(Continued)

(72) Inventors: **Jiancheng Zhang**, Fujian (CN);
Jingfeng Su, Fujian (CN)

FOREIGN PATENT DOCUMENTS
CN 301393783 * 11/2010
CN 303190261 * 4/2015

(Continued)

(73) Assignee: **YEALINK (XIAMEN) NETWORK TECHNOLOGY CO., LTD.**, Xiamen (CN)

OTHER PUBLICATIONS

(**) Term: **15 Years**

MVC500, Yealink, pcli liquidations.com, author and date not listed © 2001-2020 PCLiquidations.com, online, site visited May 4, 2020. Available from Internet, URL: <https://www.pcli liquidations.com/p100974-yealink-mvc500-microsoft-teams> (Year: 2020).*

(21) Appl. No.: **29/683,527**

(22) Filed: **Mar. 13, 2019**

Primary Examiner — Marissa J Cash
Assistant Examiner — Altaira J Swangin

(30) **Foreign Application Priority Data**

Feb. 1, 2019 (CN) 201930059360.2

(51) **LOC (13) Cl.** **14-02**

(52) **U.S. Cl.**
USPC **D14/375**

(58) **Field of Classification Search**

USPC D14/126, 210, 214, 300–302, 305, 307,
D14/314, 336–337, 371, 374–384,
D14/388–389, 432, 444–446, 448,
D14/450–451, 137, 159; 40/406, 427;
D24/137–138, 160, 186; D20/39, 41–42;
D6/300, 308, 310; D13/162

CPC E04H 1/1272; E04H 1/1222; G09F 13/00;
G09F 9/00; G09F 9/3023; G09F 9/3026

See application file for complete search history.

(56) **References Cited**

U.S. PATENT DOCUMENTS

D494,165 S * 8/2004 Yokota D14/341
D596,618 S * 7/2009 Zha D14/203.8
D605,193 S * 12/2009 Andre D14/336

(57) **CLAIM**

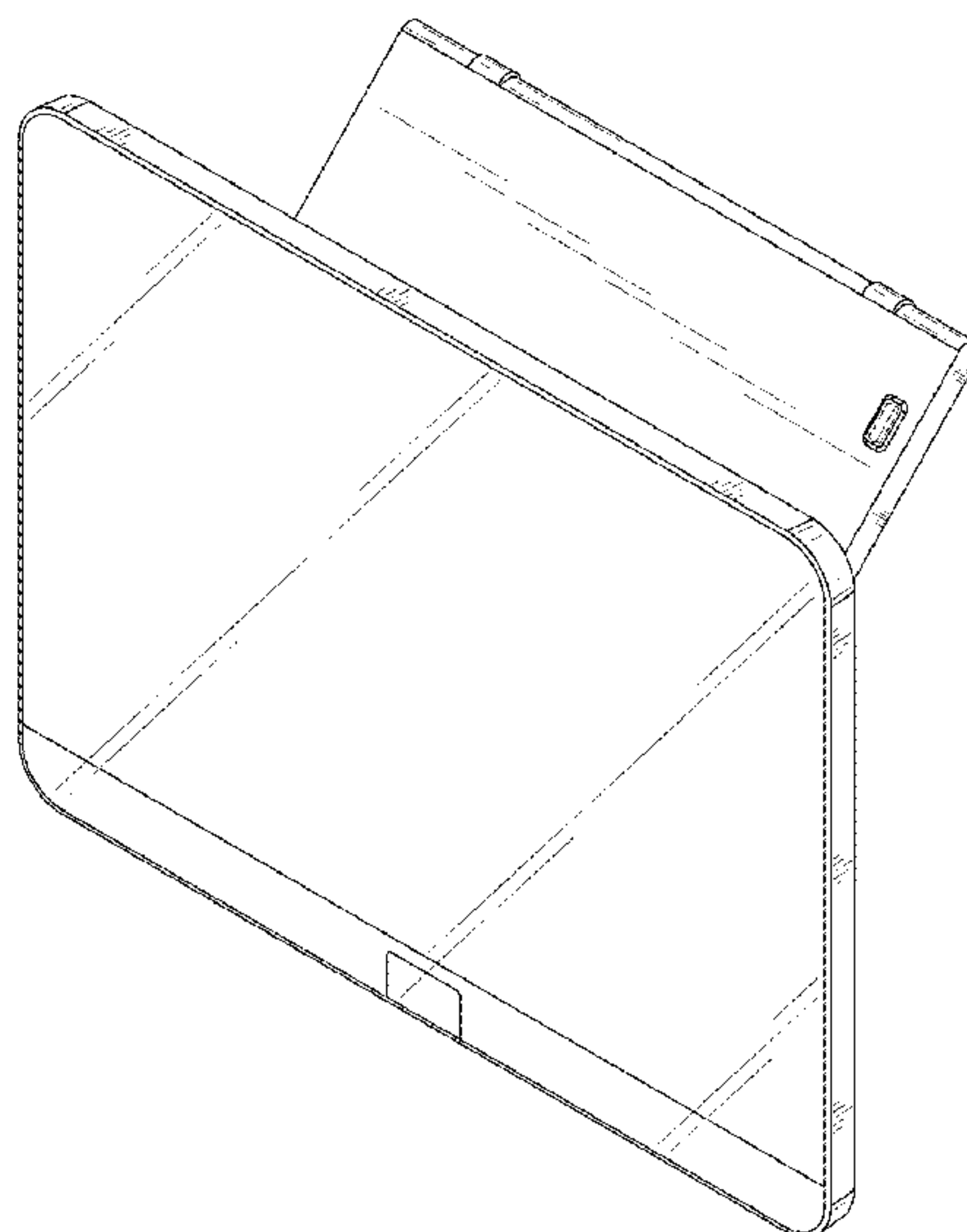
The ornamental design for a touch display, as shown and described.

DESCRIPTION

FIG. 1 is a front elevational view of a touch display showing our new design;
FIG. 2 is a rear elevational view thereof;
FIG. 3 is a left side view thereof;
FIG. 4 is a right side view thereof;
FIG. 5 is a top plan view thereof;
FIG. 6 is a bottom plan view thereof;
FIG. 7 is a top, front and right side perspective view thereof;
FIG. 8 is a top, rear and left side perspective view thereof;
and,
FIG. 9 is a bottom, rear and right side perspective view thereof.

The broken lines in the drawings illustrate portions of the touch display which form no part of the claimed design.

1 Claim, 7 Drawing Sheets



(56)

References Cited

U.S. PATENT DOCUMENTS

D624,542 S * 9/2010 Tang D14/371
 D626,956 S * 11/2010 Hsu D14/337
 D629,771 S * 12/2010 Haspil D14/138 G
 D634,316 S * 3/2011 Van Den Nieuwenhuizen
 D14/336
 D634,320 S * 3/2011 Bliven D14/336
 D638,014 S * 5/2011 Chong D14/336
 D638,015 S * 5/2011 Chong D14/336
 D645,861 S * 9/2011 Chen D14/337
 D653,646 S * 2/2012 Hovdal D14/142
 D658,646 S * 5/2012 Akana D14/336
 D671,939 S * 12/2012 Chung H04M 1/72527
 D14/374
 D684,970 S * 6/2013 Zhang D14/341
 D698,351 S * 1/2014 Jasinski D14/336
 D705,778 S * 5/2014 Groene D14/341
 D712,397 S * 9/2014 Akana D14/336

D735,717 S * 8/2015 Lam D14/341
 D740,804 S * 10/2015 Hovdal D14/341
 D751,063 S * 3/2016 Lin D14/341
 D752,035 S * 3/2016 Akana D14/336
 D772,836 S * 11/2016 Engelke D14/151
 D784,302 S * 4/2017 Leabman D14/230
 D791,763 S * 7/2017 Akana D14/336
 D792,362 S * 7/2017 Maxwell D14/130
 D820,830 S * 6/2018 Lee D14/341
 2002/0040541 A1* 4/2002 Wang A47G 1/0622
 40/714
 2004/0174137 A1* 9/2004 Kim H04M 1/04
 320/114
 2018/0012541 A1* 1/2018 Lin G06F 3/0202

FOREIGN PATENT DOCUMENTS

EM 006135042-0001 * 5/2019
 KR 300743115.0000 * 5/2014

* cited by examiner

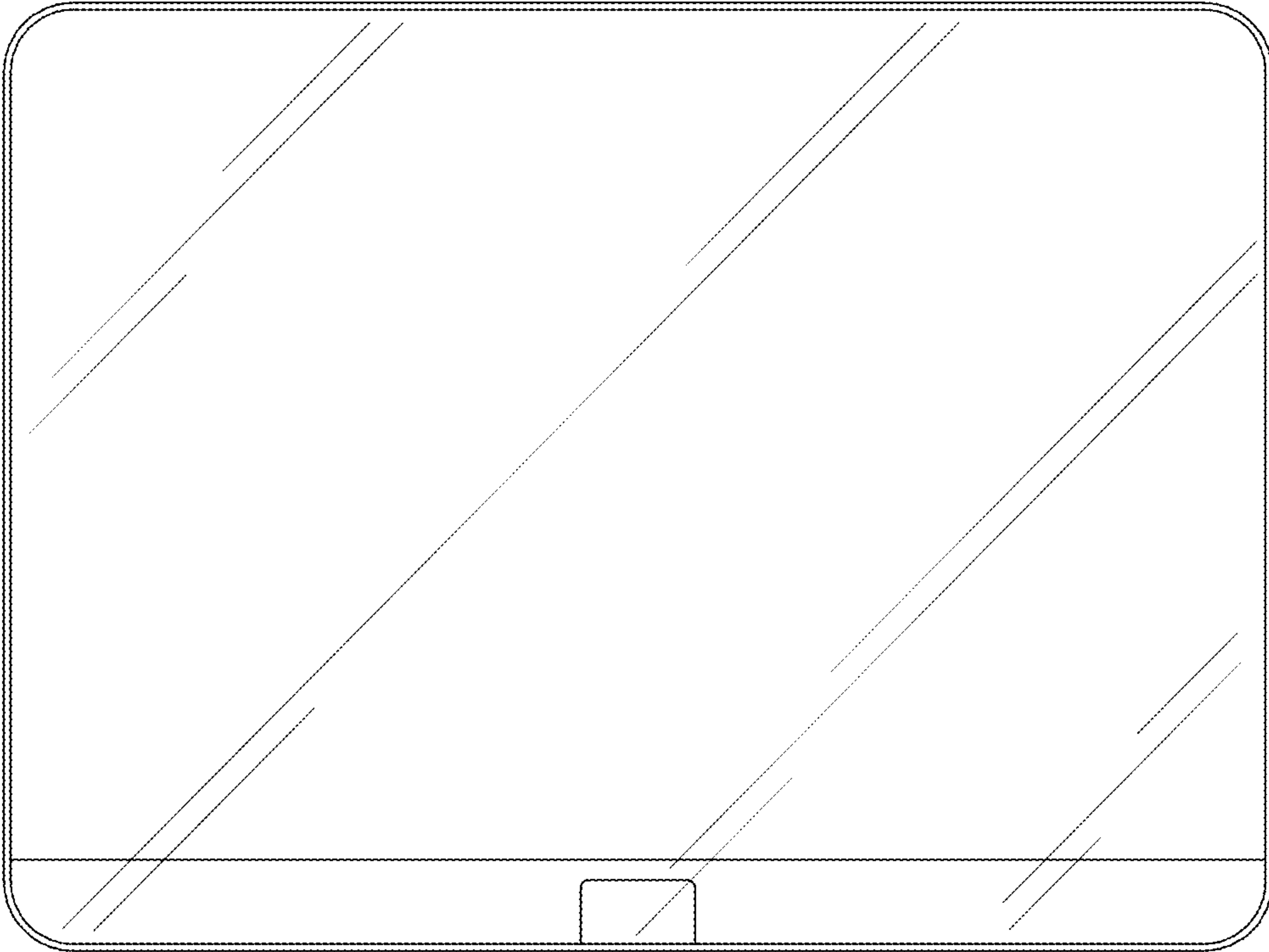


FIG.1

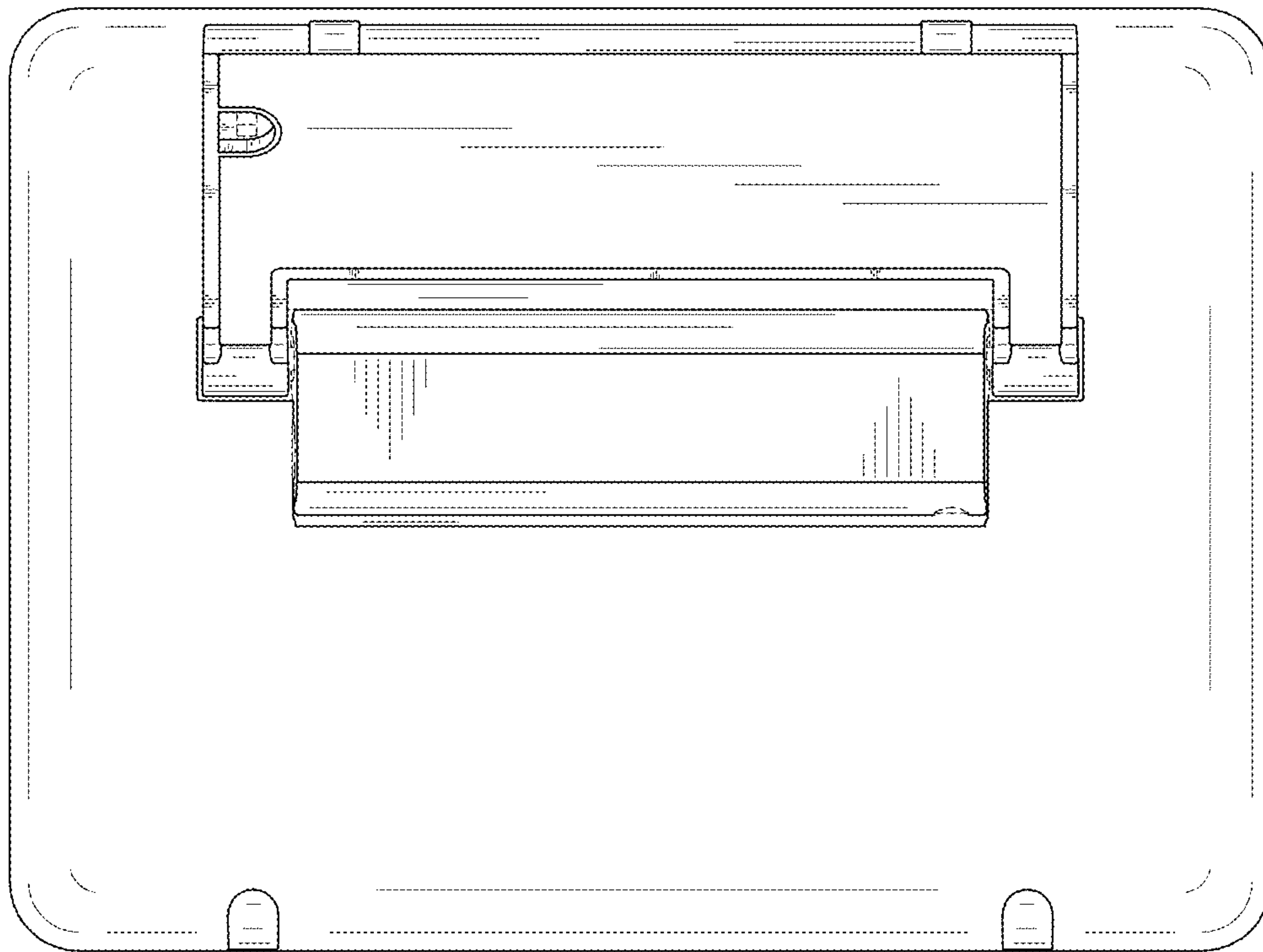


FIG.2

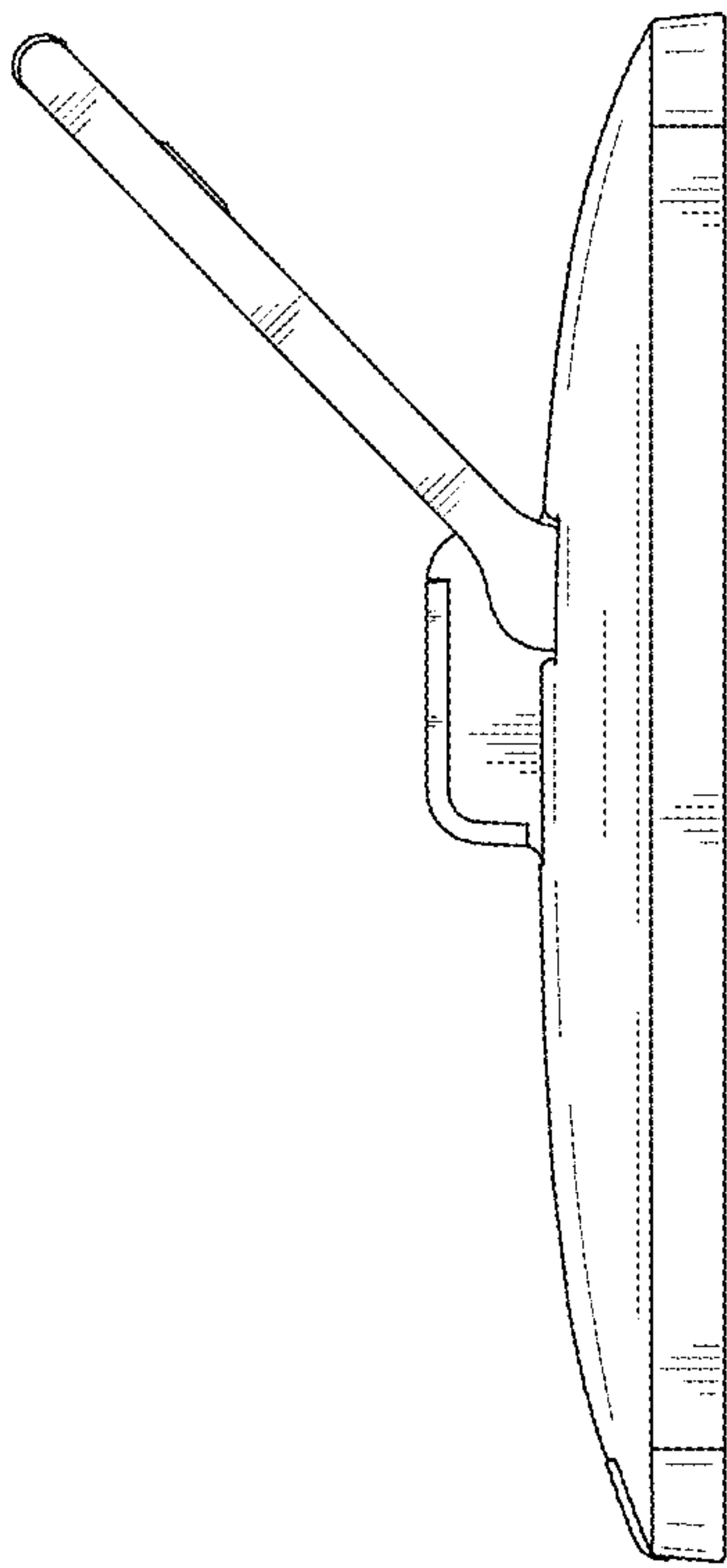


FIG.3

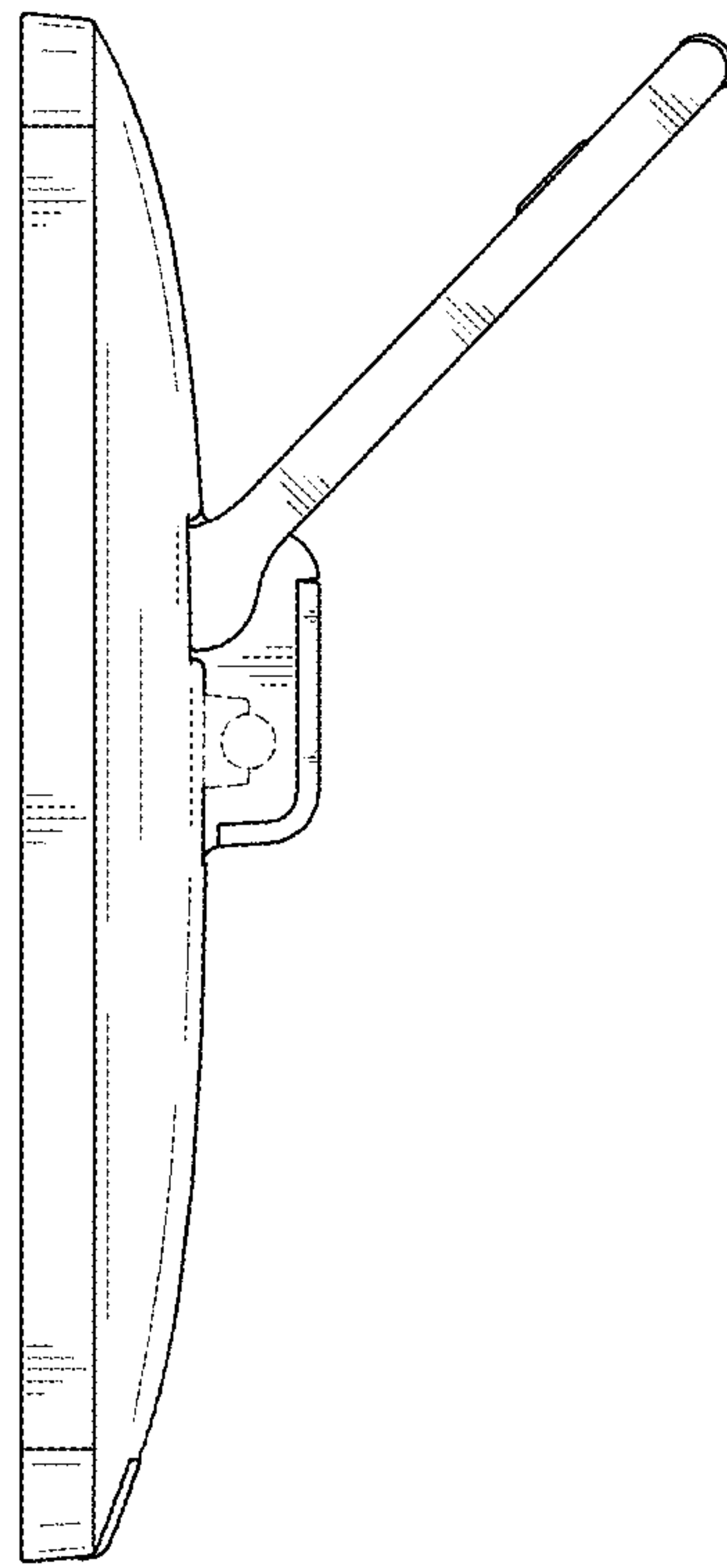


FIG.4

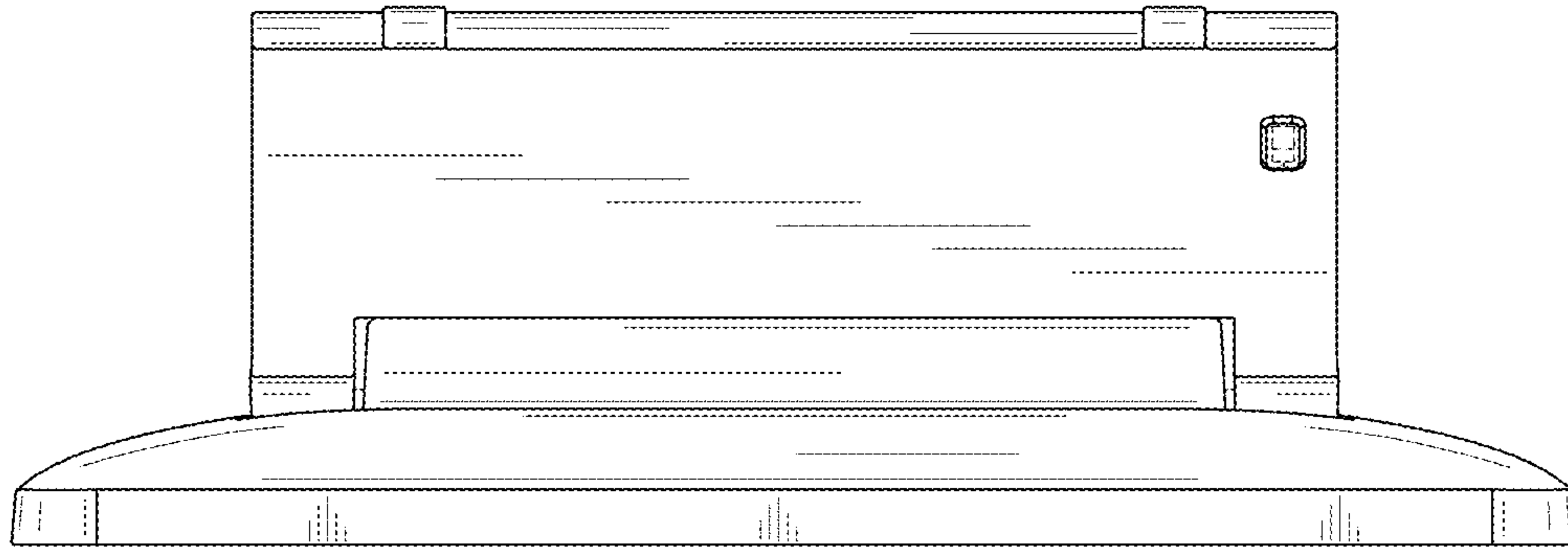


FIG.5

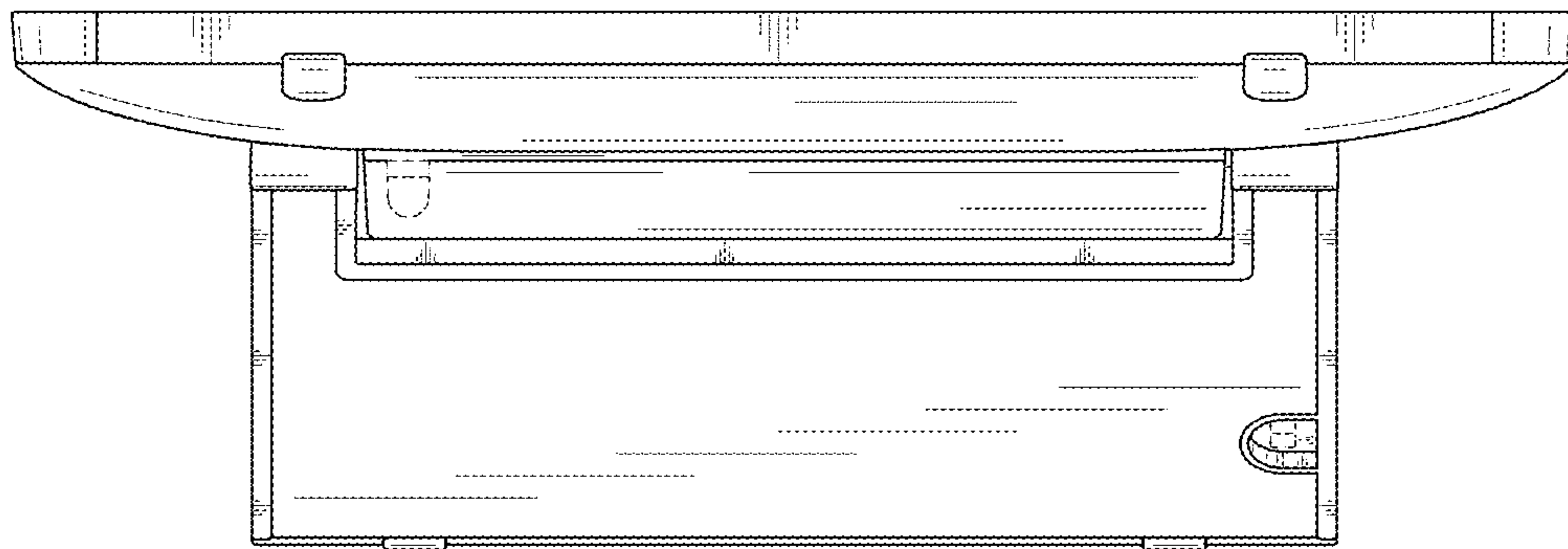


FIG.6

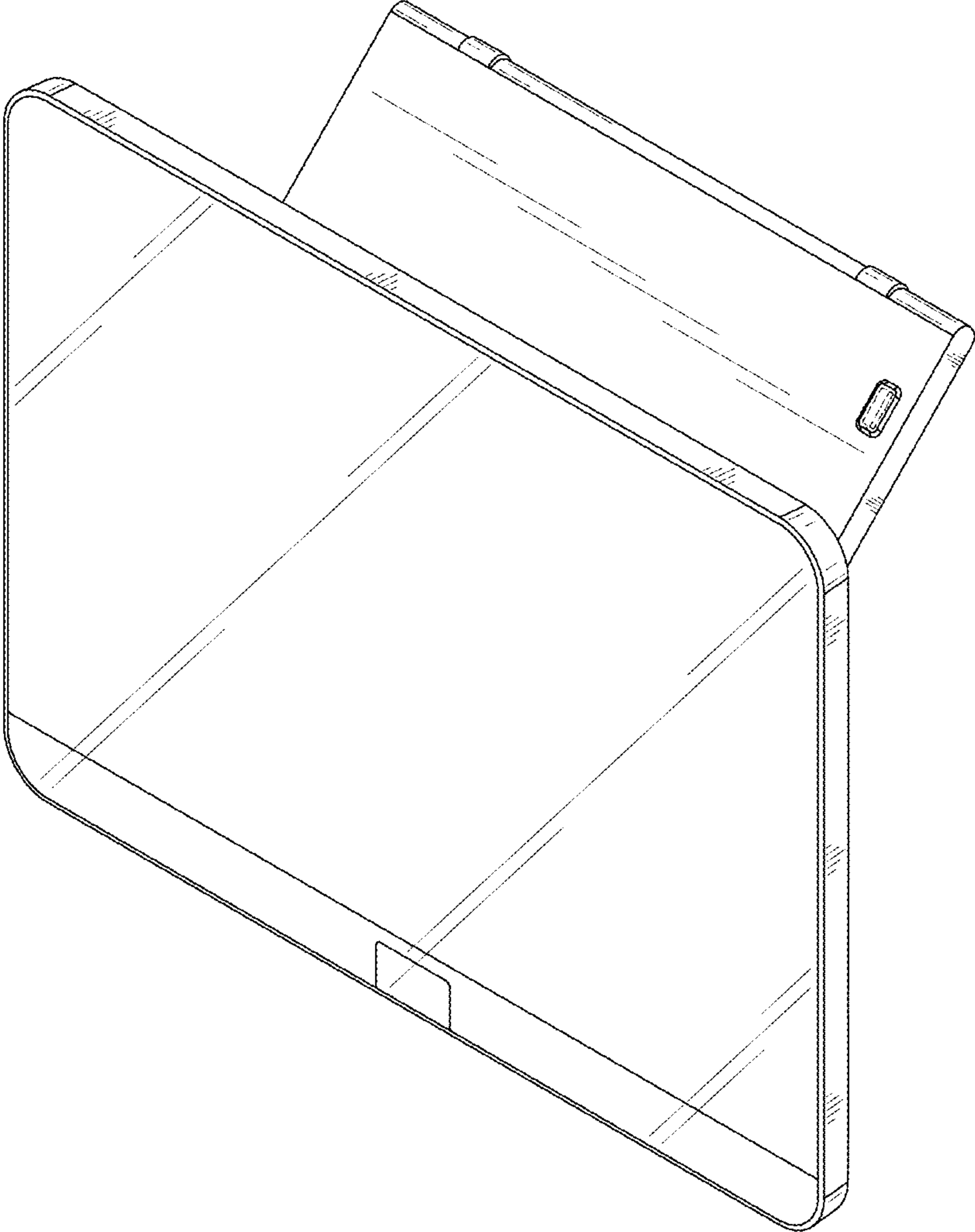


FIG.7

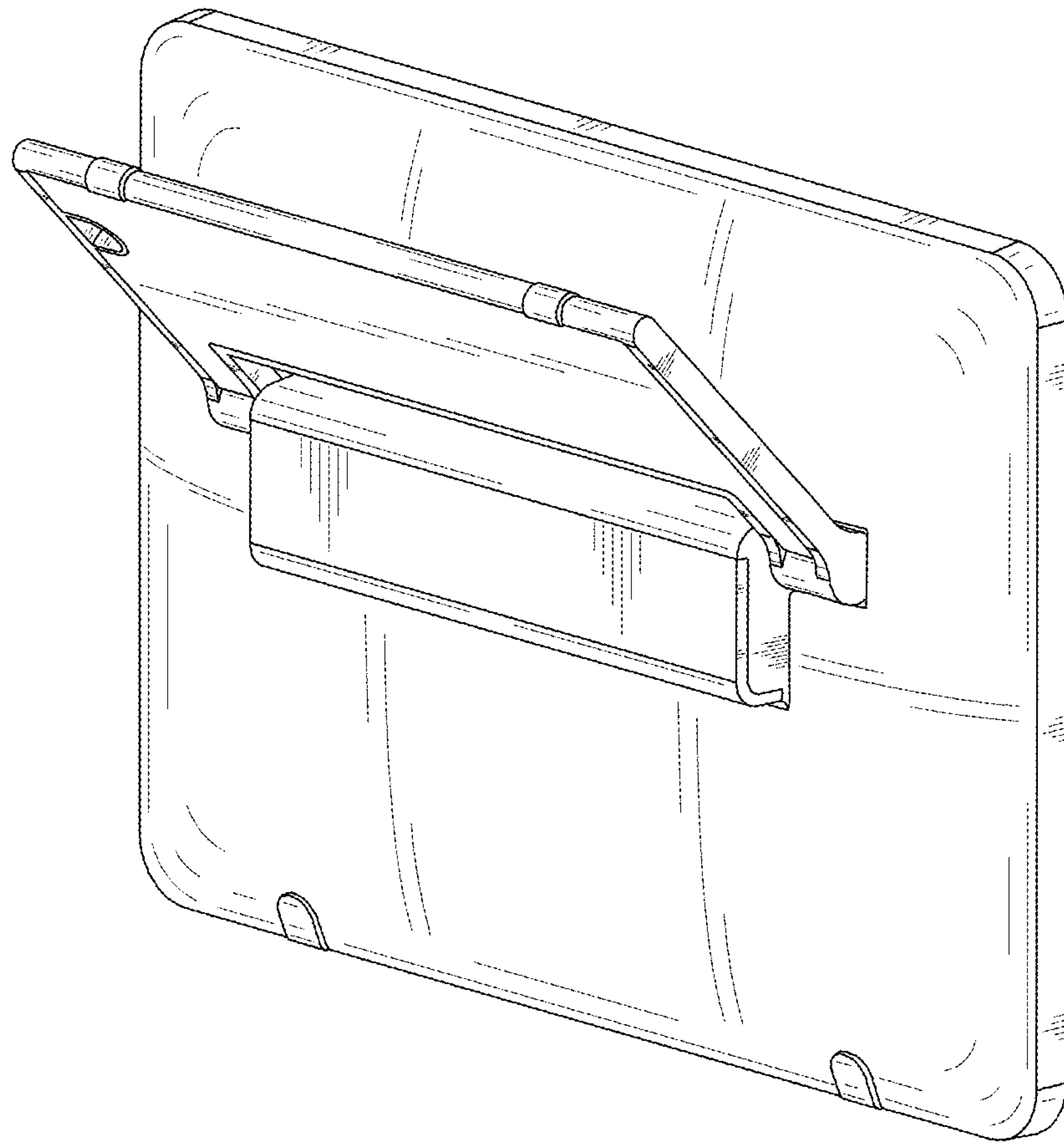


FIG.8

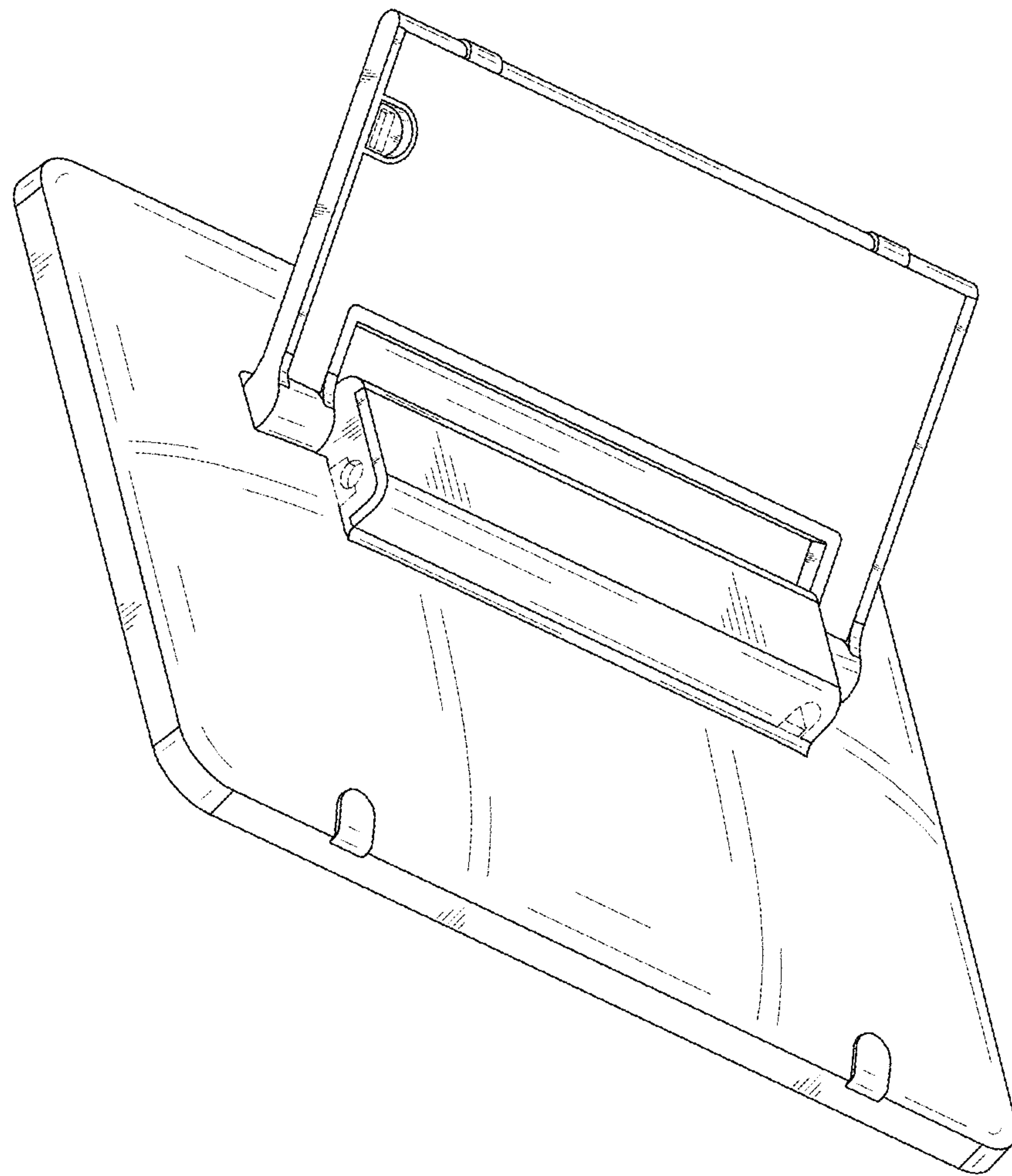


FIG.9