



US00D912047S

(12) **United States Design Patent** (10) **Patent No.:** **US D912,047 S**
Wang (45) **Date of Patent:** **** Mar. 2, 2021**

(54) **DISPLAY DEVICE**
(71) Applicant: **HON HAI PRECISION INDUSTRY CO., LTD.,** New Taipei (TW)
(72) Inventor: **Yi-Wen Wang,** New Taipei (TW)
(73) Assignee: **HON HAI PRECISION INDUSTRY CO., LTD.,** New Taipei (TW)

D668,237 S * 10/2012 Chino D14/126
D703,168 S * 4/2014 Won D14/126
D708,596 S * 7/2014 Park D14/126
D729,755 S * 5/2015 McManigal D14/126
D731,994 S * 6/2015 Won D14/126
D733,083 S * 6/2015 Hwangbo D14/126
D734,284 S * 7/2015 Dai D14/126

(Continued)

(**) Term: **15 Years**
(21) Appl. No.: **29/633,411**

CN 304544215 * 3/2018
CN 304578191 * 4/2018

(Continued)

(22) Filed: **Jan. 13, 2018**

OTHER PUBLICATIONS

(30) **Foreign Application Priority Data**

55-inch TV, Sharp Roku, techhive.com, published by Jon L. Jacobi on Oct. 25, 2017 © 2019 IDG Communications, online, site visited Aug. 27, 2019. Available from Internet, URL: <https://www.techhive.com/article/3229388/sharp-roku-tv-review.html> (Year: 2017).*

Nov. 20, 2017 (CN) 201730573357.3

(51) **LOC (13) Cl.** **14-02**

(52) **U.S. Cl.**
USPC **D14/371**

(58) **Field of Classification Search**
USPC D14/300-302, 305, 307, 314, 336-337, D14/371, 374-384, 388-389, 448, D14/450-451, 210, 214, 126, 432, D14/444-446, 316-317, 323-324; 40/406, 427; D24/137-138, 160, 186; D20/39, 41-42; D6/300, 308, 310; D10/15, 21, 24; D21/324-325, 329, 370; 361/521; 174/382, 552; D13/184; D19/88, 113; D12/42
CPC E04H 1/1272; E04H 1/1222; G09F 13/00; G09F 9/00; G09F 9/3023; G09F 9/3026
See application file for complete search history.

Primary Examiner — Marissa J Cash
Assistant Examiner — Altaira J Swangin
(74) *Attorney, Agent, or Firm* — ScienBiziP, P.C.

(57) **CLAIM**

The ornamental design for a display device, as shown and described.

DESCRIPTION

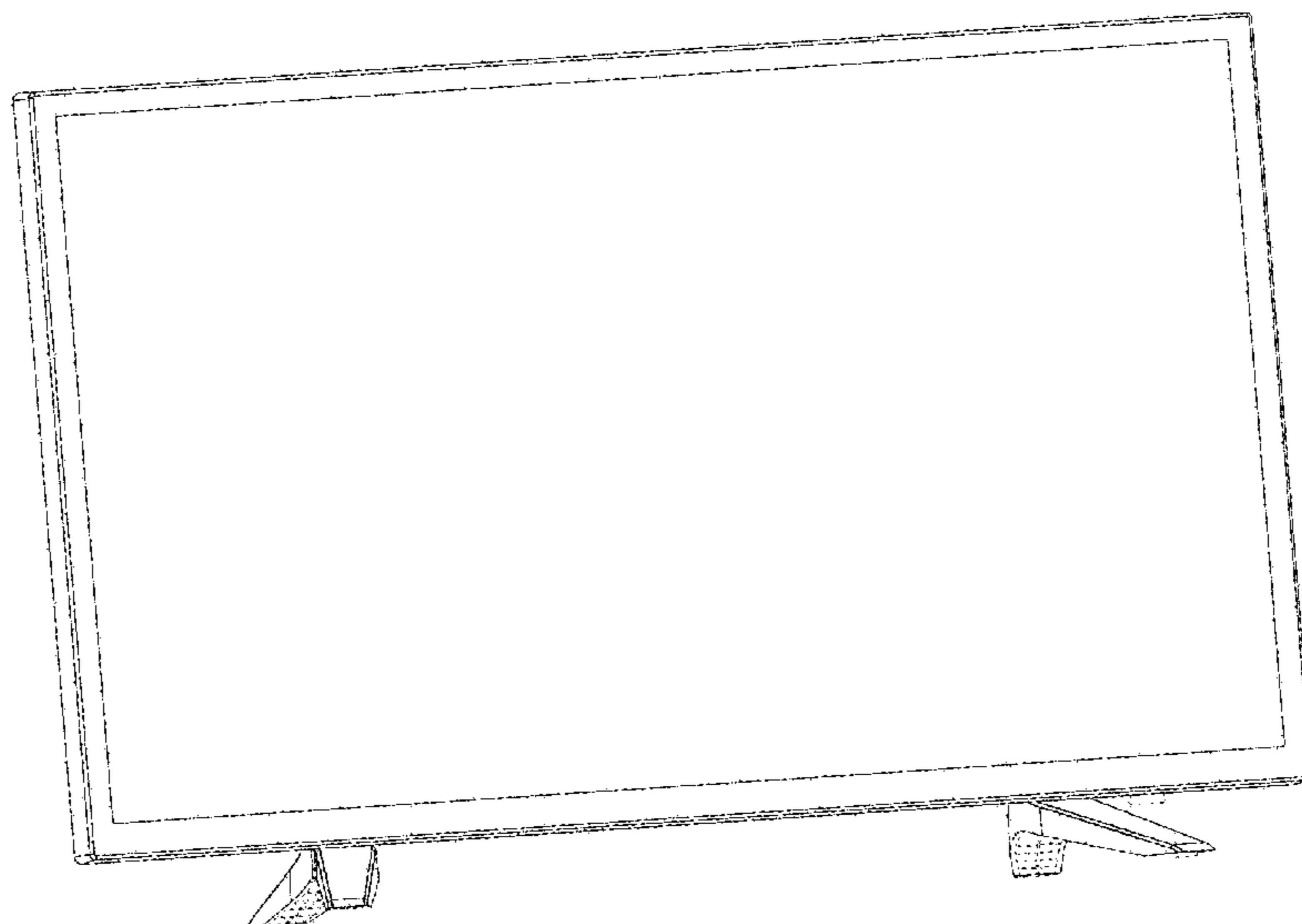
FIG. 1 is a front perspective view of a display device showing my design;
FIG. 2 is a top, rear, and left perspective view thereof;
FIG. 3 is a front elevational view thereof;
FIG. 4 is a rear elevational view thereof;
FIG. 5 is a left side elevational view thereof;
FIG. 6 is a right side elevational view thereof;
FIG. 7 is a top plan view thereof; and
FIG. 8 is a bottom plan view thereof; and,
FIG. 9 is a view of circled portion in FIG. 4.

1 Claim, 9 Drawing Sheets

(56) **References Cited**

U.S. PATENT DOCUMENTS

D661,270 S * 6/2012 Cha D14/126
D661,271 S * 6/2012 Hwangbo D14/126
D661,272 S * 6/2012 Kim D14/126



(56)

References Cited

U.S. PATENT DOCUMENTS

D741,273 S * 10/2015 Huh D14/126
 D747,693 S * 1/2016 Won D14/126
 D748,070 S * 1/2016 Hotta D14/126
 D748,596 S * 2/2016 McManigal D14/126
 D749,532 S * 2/2016 McManigal D14/126
 D750,582 S * 3/2016 Kim D14/126
 D753,080 S * 4/2016 Dai D14/126
 D755,138 S * 5/2016 Kim D14/126
 D767,517 S * 9/2016 Gomi D14/126
 D777,128 S * 1/2017 Kim D14/126
 D777,697 S * 1/2017 Kim D14/126
 D778,854 S * 2/2017 Lee D14/126
 D778,855 S * 2/2017 Lee D14/126
 D782,431 S * 3/2017 Lee D14/126
 D782,433 S * 3/2017 Lee D14/126
 D782,434 S * 3/2017 Kim D14/126
 D782,991 S * 4/2017 Kim D14/126
 D783,555 S * 4/2017 Cho D14/126
 D785,581 S * 5/2017 McManigal D14/126
 D796,464 S * 9/2017 Kim D14/126
 D805,887 S * 12/2017 Bauer D8/394
 D806,661 S * 1/2018 Lee D14/126
 D806,667 S * 1/2018 Lee D14/126
 D817,902 S * 5/2018 Lee D14/126
 D818,979 S * 5/2018 Won D14/126

D819,586 S * 6/2018 Ryu D14/126
 D819,588 S * 6/2018 Ryu D14/126
 D820,228 S * 6/2018 Kim D14/126
 D824,755 S * 8/2018 Bauer D8/394
 D835,058 S * 12/2018 Kim D14/126
 D835,059 S * 12/2018 Kim D14/126
 D835,101 S * 12/2018 Kim D14/371
 D836,075 S * 12/2018 Ryu D14/126
 D837,757 S * 1/2019 Kim D14/126
 D837,758 S * 1/2019 Kim D14/126
 D841,609 S * 2/2019 Kim D14/126
 D846,516 S * 4/2019 McManigal D14/126
 D846,517 S * 4/2019 McManigal D14/126
 D846,518 S * 4/2019 McManigal D14/126
 D846,519 S * 4/2019 McManigal D14/126
 D846,520 S * 4/2019 McManigal D14/126
 D848,966 S * 5/2019 Kim D14/126
 D848,967 S * 5/2019 Kim D14/126
 D848,970 S * 5/2019 Lim D14/126
 D854,012 S * 7/2019 Oakley D14/374
 D894,141 S * 8/2020 Kim D14/126
 2019/0171356 A1 * 6/2019 Kim G06F 3/0236

FOREIGN PATENT DOCUMENTS

CN 304811576 * 9/2018
 CN 304998297 * 1/2019

* cited by examiner

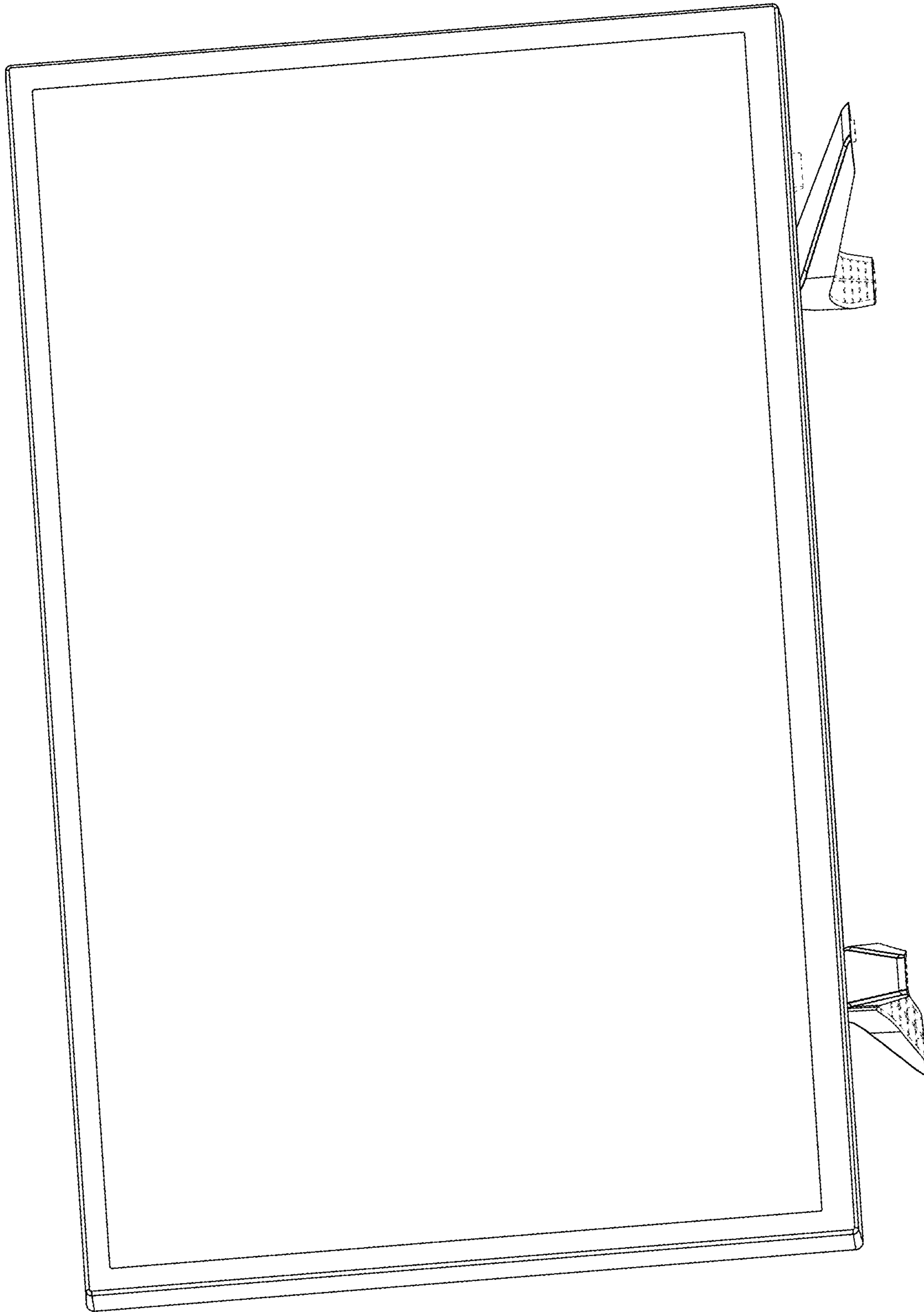


FIG. 1

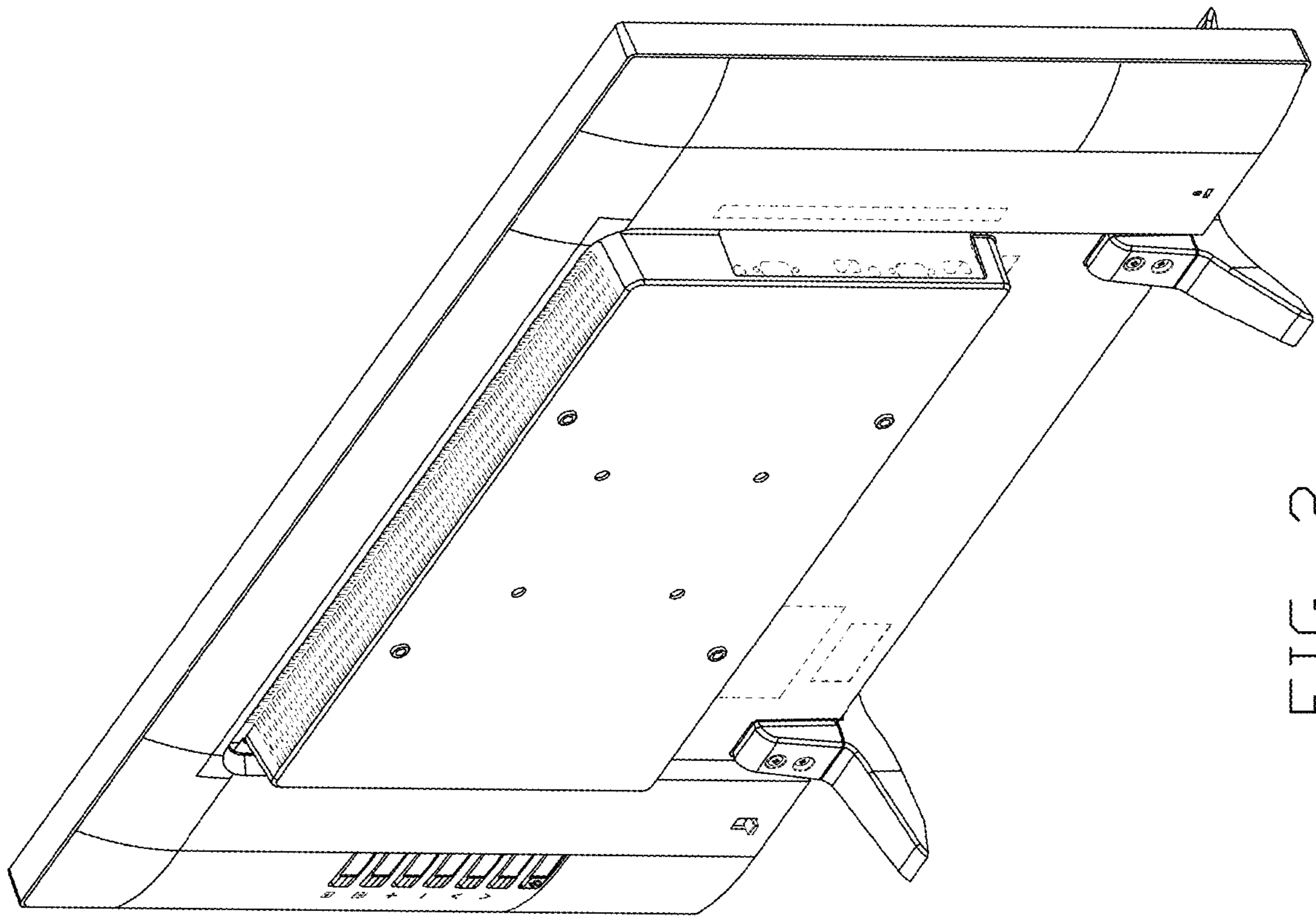


FIG. 2

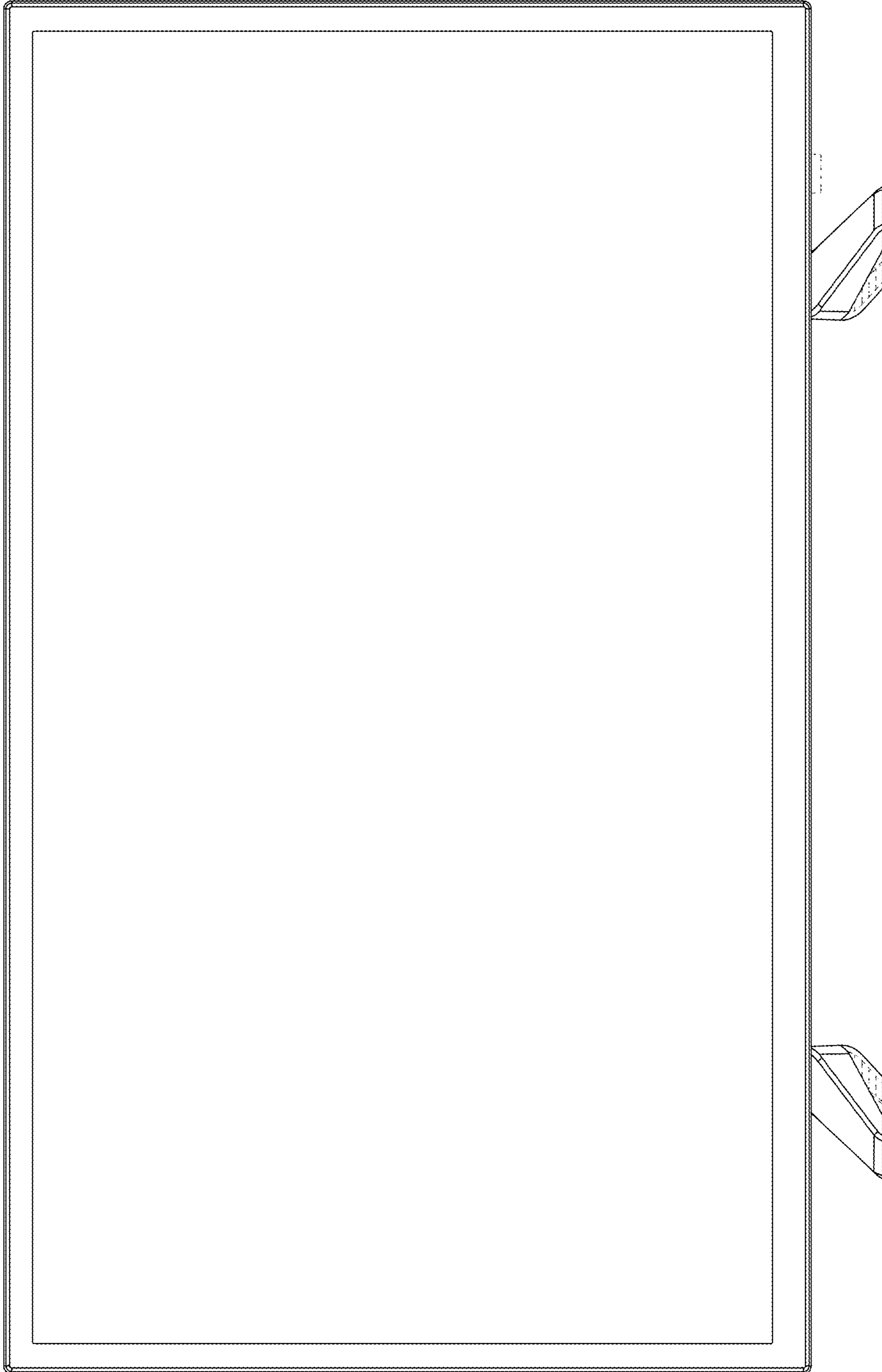


FIG. 3

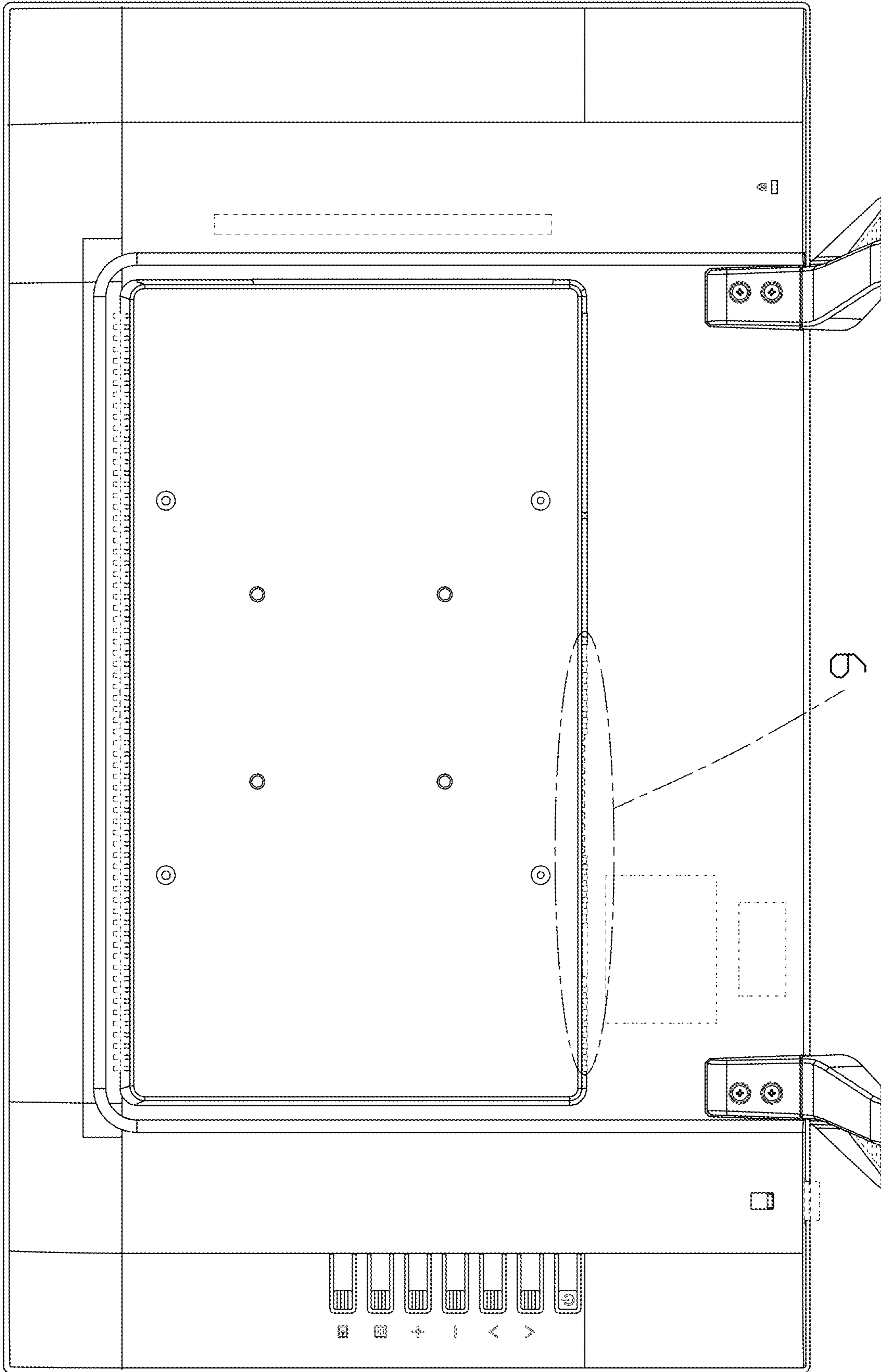


FIG. 4

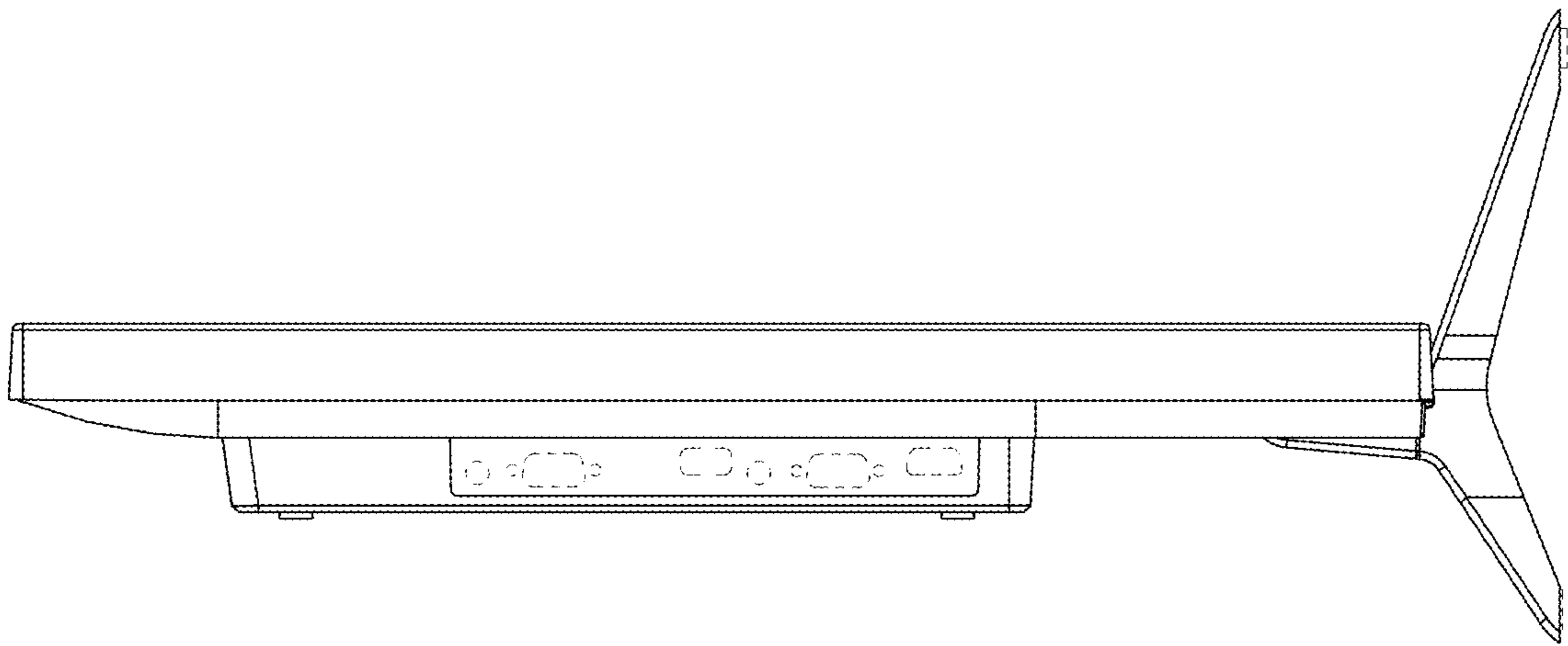


FIG. 5

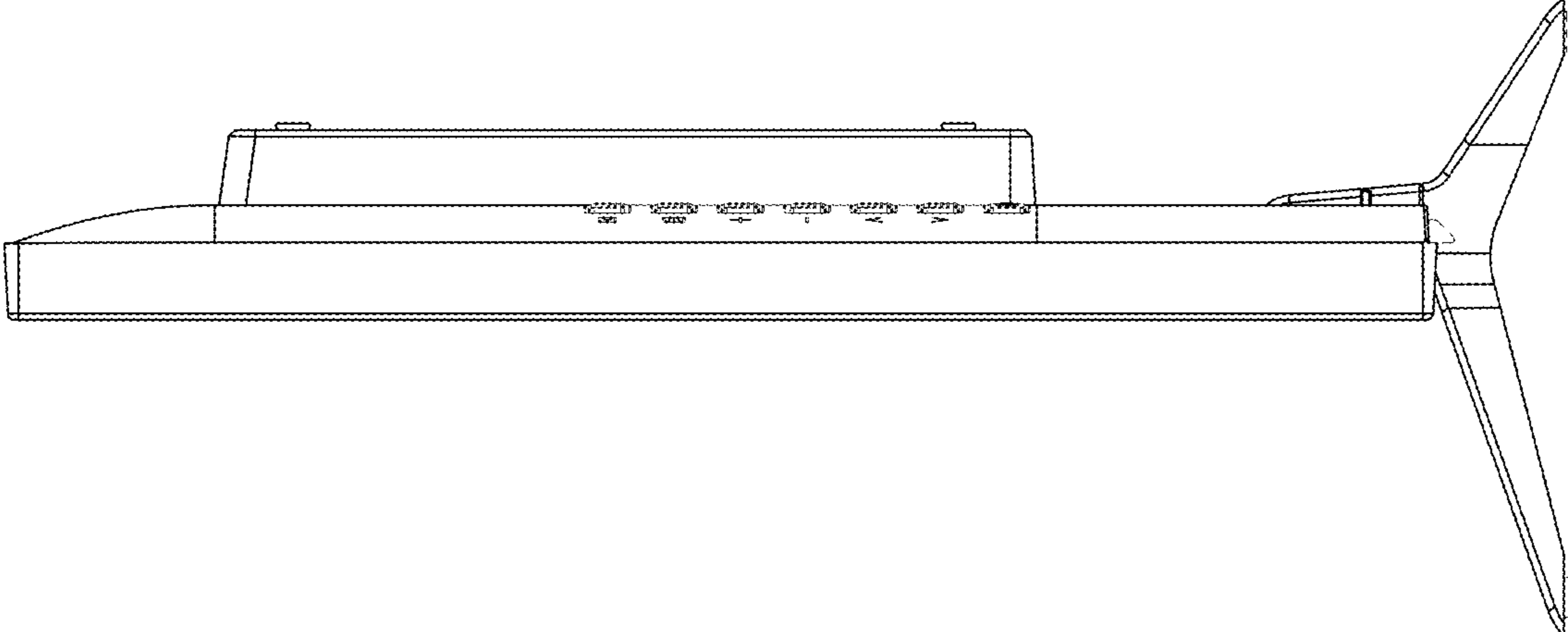


FIG. 6

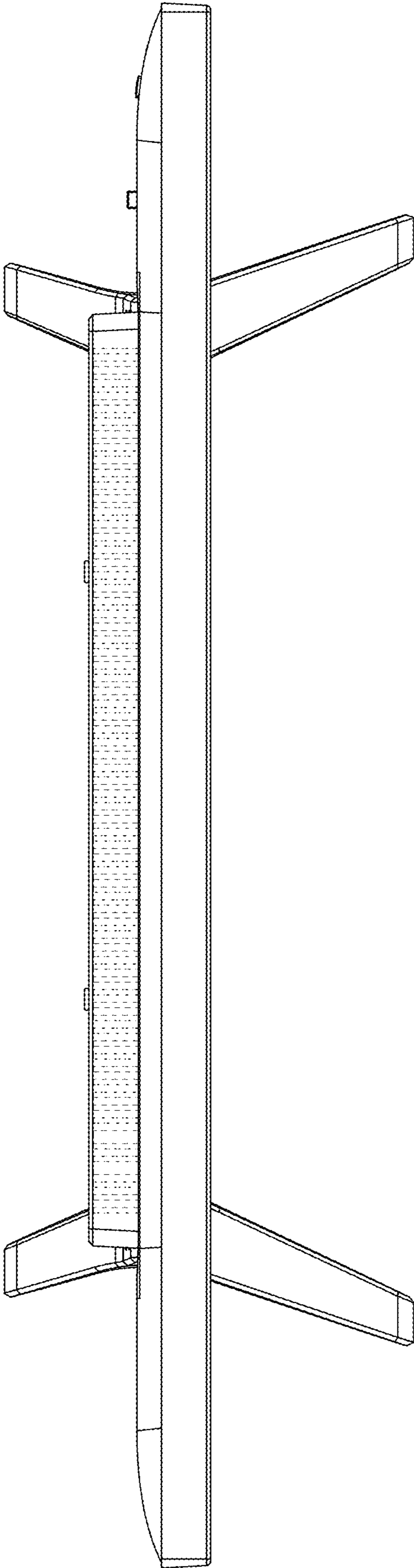


FIG. 7

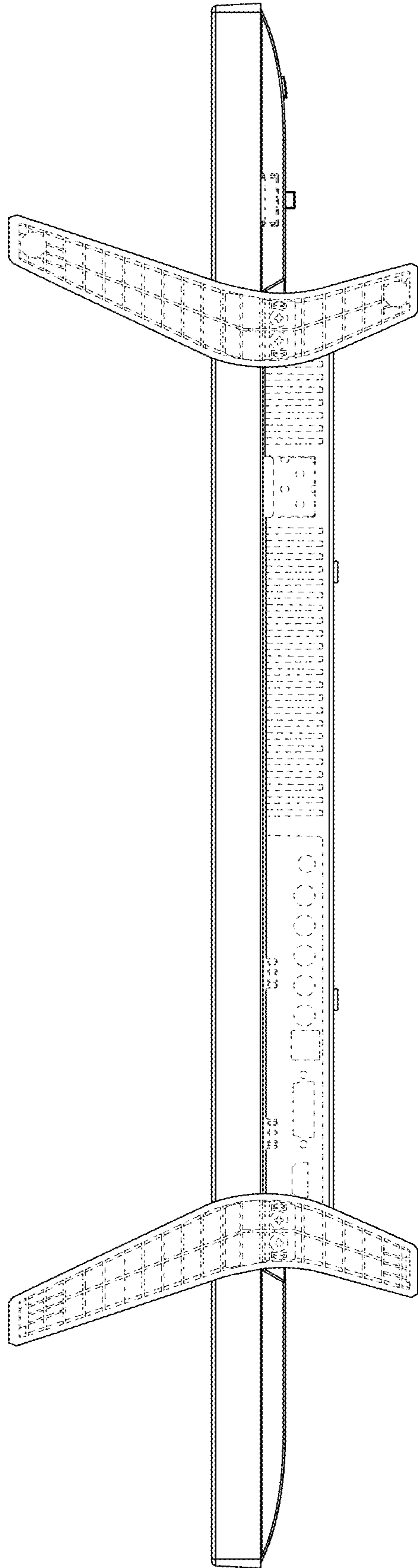


FIG. 8

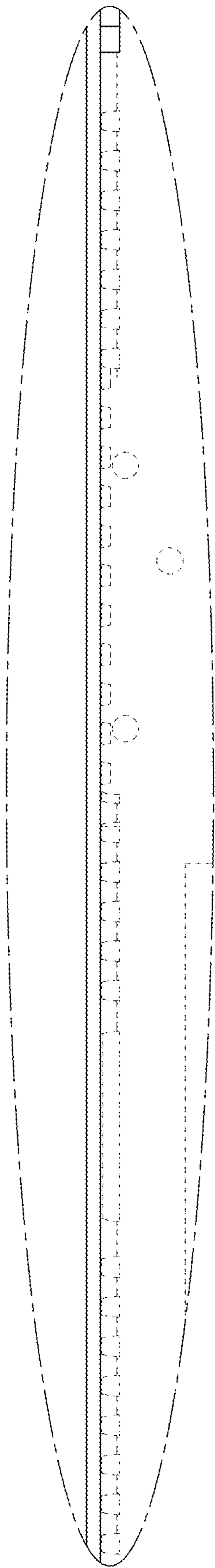


FIG. 9