



US00D912046S

(12) **United States Design Patent**
Huang et al.

(10) **Patent No.:** **US D912,046 S**
(45) **Date of Patent:** **** Mar. 2, 2021**

(54) **COMPUTING BOX**
(71) Applicant: **Beijing Unicorn Technology Co., Ltd,**
Beijing (CN)

D525,540 S * 7/2006 Stekelenburg D10/40
D534,086 S * 12/2006 Stekelenburg D10/40
D534,439 S * 1/2007 Stekelenburg D10/40
(Continued)

(72) Inventors: **Xi Huang,** Beijing (CN); **Yue He,**
Beijing (CN); **Yue Wang,** Beijing (CN);
Zhihao Zhao, Beijing (CN); **Liwei**
Chen, Beijing (CN); **Jun Wang,**
Beijing (CN)

FOREIGN PATENT DOCUMENTS

CN 301393466 * 11/2010
CN 301959032 * 6/2012
(Continued)

(73) Assignee: **Beijing Unicorn Technology Co., Ltd,**
Beijing (CN)

OTHER PUBLICATIONS

Mac Mini Desktop Computer, Apple, bhphotovideo.com, author
unlisted, published on Nov. 18, 2012 per wayback machine ©
2000-2020 B&H Foto & Electronics Corp., online, site visited Apr.
15, 2020. Available at URL: [https://www.bhphotovideo.com/c/product/898209-REG/Apple_z0nq_md3891_Mac_Mini_i7_2_3GHz_\(Year:2012\).*](https://www.bhphotovideo.com/c/product/898209-REG/Apple_z0nq_md3891_Mac_Mini_i7_2_3GHz_(Year:2012).*)

(**) Term: **15 Years**

(21) Appl. No.: **29/678,829**

(22) Filed: **Jan. 31, 2019**

(Continued)

(30) **Foreign Application Priority Data**

Dec. 29, 2018 (CN) 201830770670.0

(51) **LOC (13) Cl.** **14-02**

(52) **U.S. Cl.**
USPC **D14/358; D14/300**

(58) **Field of Classification Search**
USPC D14/300-301, 348, 355-356, 363,
D14/357-358, 167, 172, 204;
361/679.31; 206/706-709; D9/424-430,
D9/432-433; D10/40, 70; D3/315-316;
D13/103, 107

CPC H05K 5/03; H01L 21/00; H01R 33/92;
H01R 13/057; H04W 88/00

See application file for complete search history.

Primary Examiner — Marissa J Cash
Assistant Examiner — Altaira J Swangin

(74) *Attorney, Agent, or Firm* — Schwegman Lundberg &
Woessner, P.A.

(57) **CLAIM**

The ornamental design for a computing box, as shown and
described.

DESCRIPTION

FIG. 1 is a bottom rear left perspective view of a computing
box showing our new design;
FIG. 2 is a bottom front right perspective view thereof;
FIG. 3 is a front view thereof;
FIG. 4 is a rear view thereof;
FIG. 5 is a left side view thereof;
FIG. 6 is a right side view thereof;
FIG. 7 is a top view thereof; and,
FIG. 8 is a bottom view thereof.

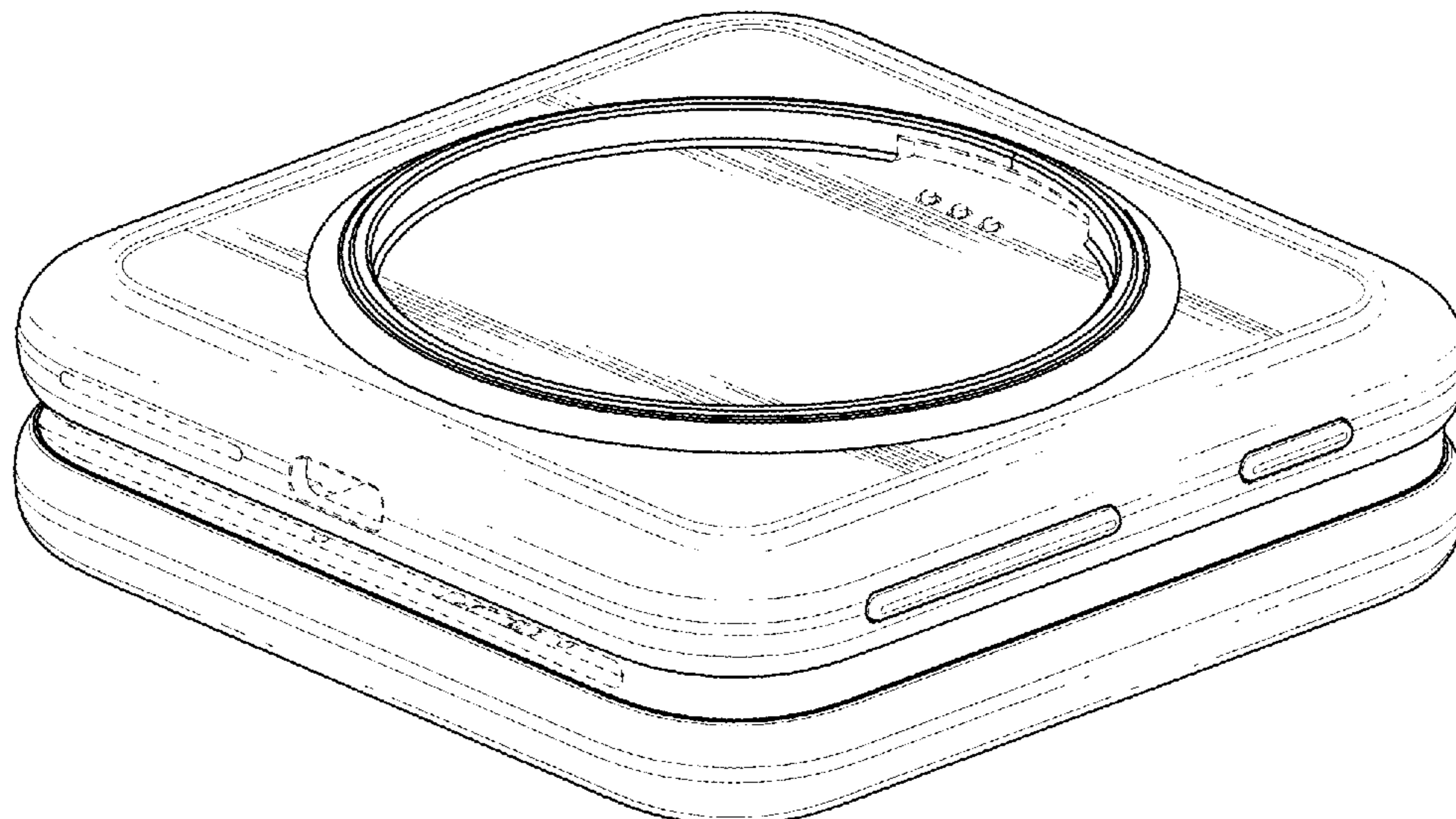
The broken lines represent portions of the computing box
that form no part of the claimed design.

(56) **References Cited**

U.S. PATENT DOCUMENTS

D258,577 S * 3/1981 Bottner D10/104.1
D518,023 S * 3/2006 Miller D14/204

1 Claim, 4 Drawing Sheets



(56)

References Cited

U.S. PATENT DOCUMENTS

D535,650 S * 1/2007 Wong D14/240
 D544,463 S * 6/2007 Harris D14/168
 D556,571 S * 12/2007 Jalet D9/432
 7,329,152 B2 * 2/2008 Mori G06F 3/0227
 438/928
 D576,486 S * 9/2008 Koza D9/432
 D580,932 S * 11/2008 Tzou D14/356
 D585,060 S * 1/2009 Han D14/358
 D585,061 S * 1/2009 Han D14/358
 D599,222 S * 9/2009 Bialek-Wester D10/15
 D601,585 S * 10/2009 Andre D14/314
 D604,729 S * 11/2009 Andre D14/314
 D613,283 S * 4/2010 Andre D14/314
 D614,979 S * 5/2010 McNames D10/65
 D619,910 S * 7/2010 Stekelenburg D10/40
 D619,911 S * 7/2010 Stekelenburg D10/40
 D621,397 S * 8/2010 Andre D14/314
 D637,097 S * 5/2011 Tseng D10/70
 D650,377 S * 12/2011 Akana D14/314
 D654,429 S * 2/2012 Li D13/103
 D660,834 S * 5/2012 Akana D14/314
 D665,680 S * 8/2012 Shigeno D10/70
 D720,347 S * 12/2014 Lo D14/348
 D725,591 S * 3/2015 Chien D13/103
 D734,550 S * 7/2015 Schlatter D28/85
 D759,012 S * 6/2016 Golden D10/50
 D760,647 S * 7/2016 Chen D13/103
 D777,704 S * 1/2017 Helwig D14/215
 D777,724 S * 1/2017 Sterzick D14/348
 D778,746 S * 2/2017 Renganathan D10/70
 D782,354 S * 3/2017 Lovin D10/101
 D797,099 S * 9/2017 Wieser D14/300
 D797,100 S * 9/2017 Wieser D14/358
 9,798,358 B1 * 10/2017 Skurdal H04R 1/028
 D816,606 S * 5/2018 Georgiades D13/108
 D819,469 S * 6/2018 Farley D10/70
 D825,359 S * 8/2018 Lee D10/70
 D826,206 S * 8/2018 Elmieh D14/204

D828,342 S * 9/2018 Chen D14/240
 D829,110 S * 9/2018 Skurdal D10/2
 D830,869 S * 10/2018 Siminoff D10/106.1
 D831,598 S * 10/2018 Jiang D14/125
 D836,083 S * 12/2018 Elmieh D14/204
 D840,251 S * 2/2019 Choi D10/52
 D842,154 S * 3/2019 Dimitriadis D10/106.2
 D842,265 S * 3/2019 Becker D14/204
 D844,006 S * 3/2019 Molnar D14/434
 D849,006 S * 5/2019 Pang D14/433
 D854,509 S * 7/2019 Wu D14/168
 10,365,500 B2 * 7/2019 Hu G02B 7/09
 D858,529 S * 9/2019 Oberpriller D14/433
 D864,861 S * 10/2019 Roberts D13/108
 D874,423 S * 2/2020 Wu D14/168
 10,571,100 B2 * 2/2020 Ding F21V 21/0816
 D877,126 S * 3/2020 DeCastro D14/230
 D888,020 S * 6/2020 Lyu D14/221
 D890,752 S * 7/2020 Huang D14/358
 10,734,772 B2 * 8/2020 Wu H01R 13/05
 D899,423 S * 10/2020 Li D14/358
 D902,210 S * 11/2020 Jensen D14/433
 2017/0317411 A1 * 11/2017 Lee H01Q 11/08
 2019/0141224 A1 * 5/2019 Park H01L 27/14625
 2019/0206642 A1 * 7/2019 Chen H01H 19/54

FOREIGN PATENT DOCUMENTS

CN 302842164 * 6/2014
 CN 303409135 * 10/2015
 KR 300598035.0000 * 5/2011

OTHER PUBLICATIONS

Mini Personal Computer, Zotac, geek.com, published by Matthew Humphries on Aug. 31, 2011 © 1996-2020 Ziff Davis, LLC / PCMag Digital Group, online, site visited Apr. 15, 2020. Available from Internet, URL: <https://www.geek.com/chips/zotac-unveils-a-palm-sized-amd-brazos-powered-zbox-mini-pc-1417813/> (Year: 2011).*

* cited by examiner

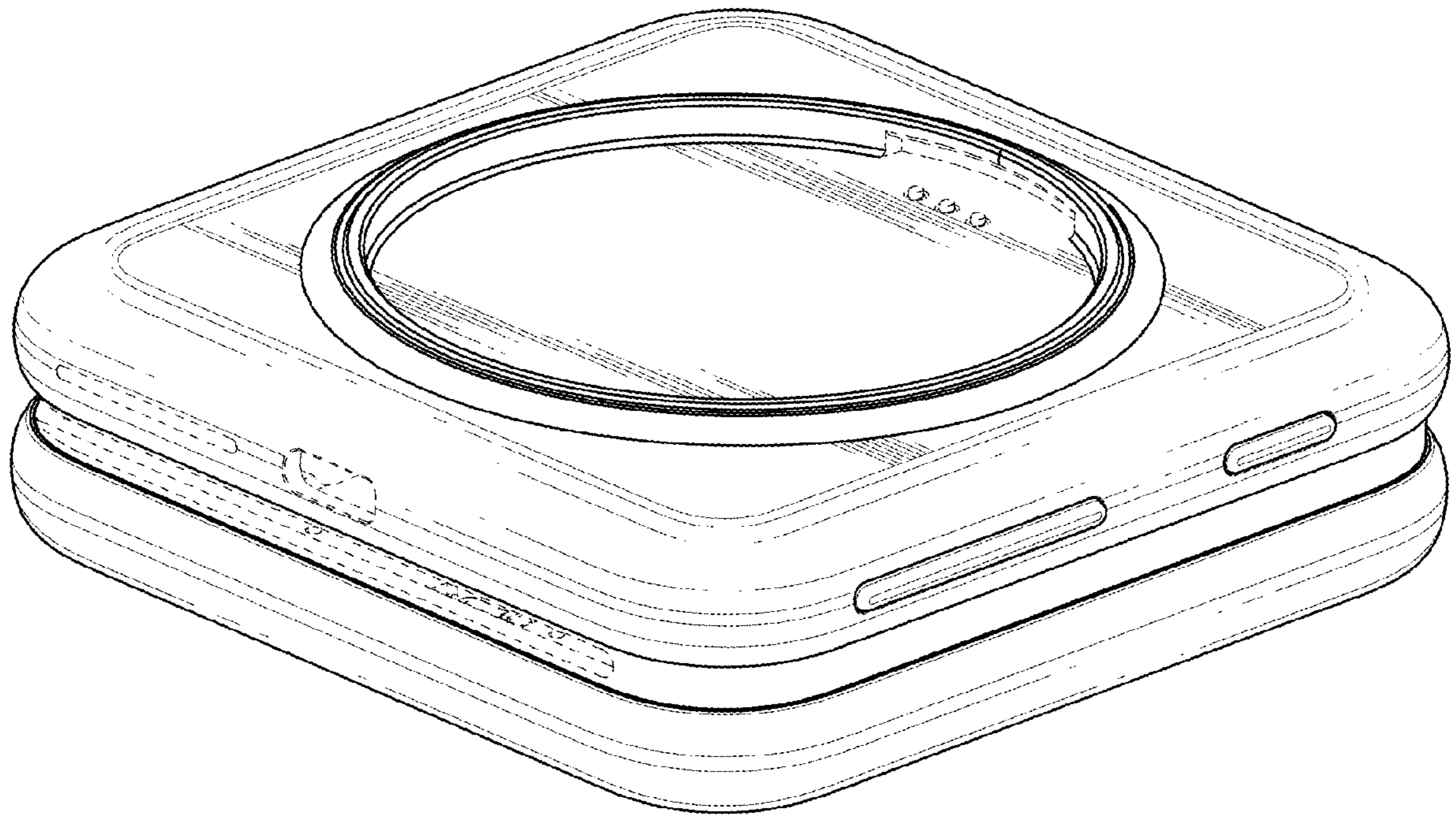


Fig. 1

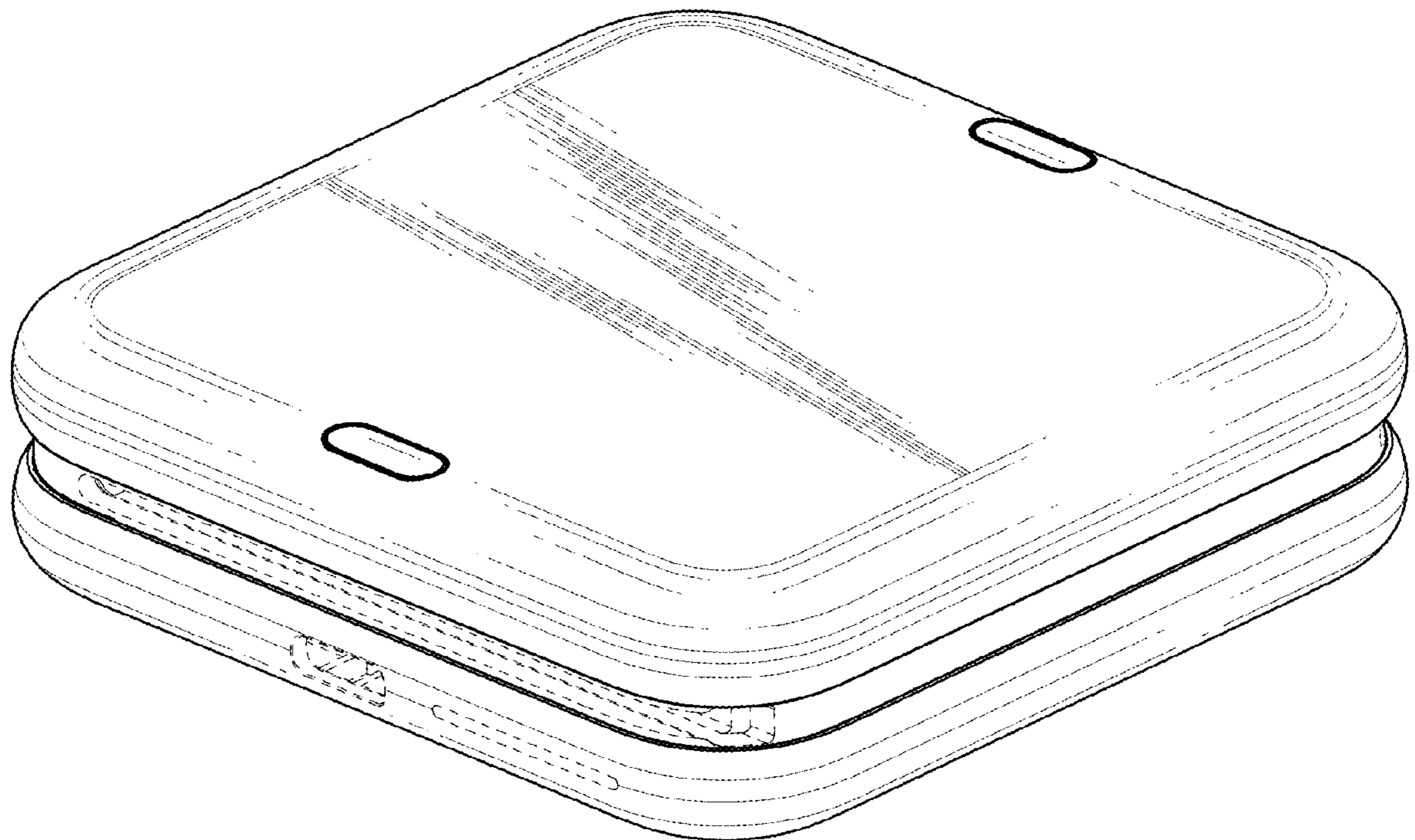


Fig. 2

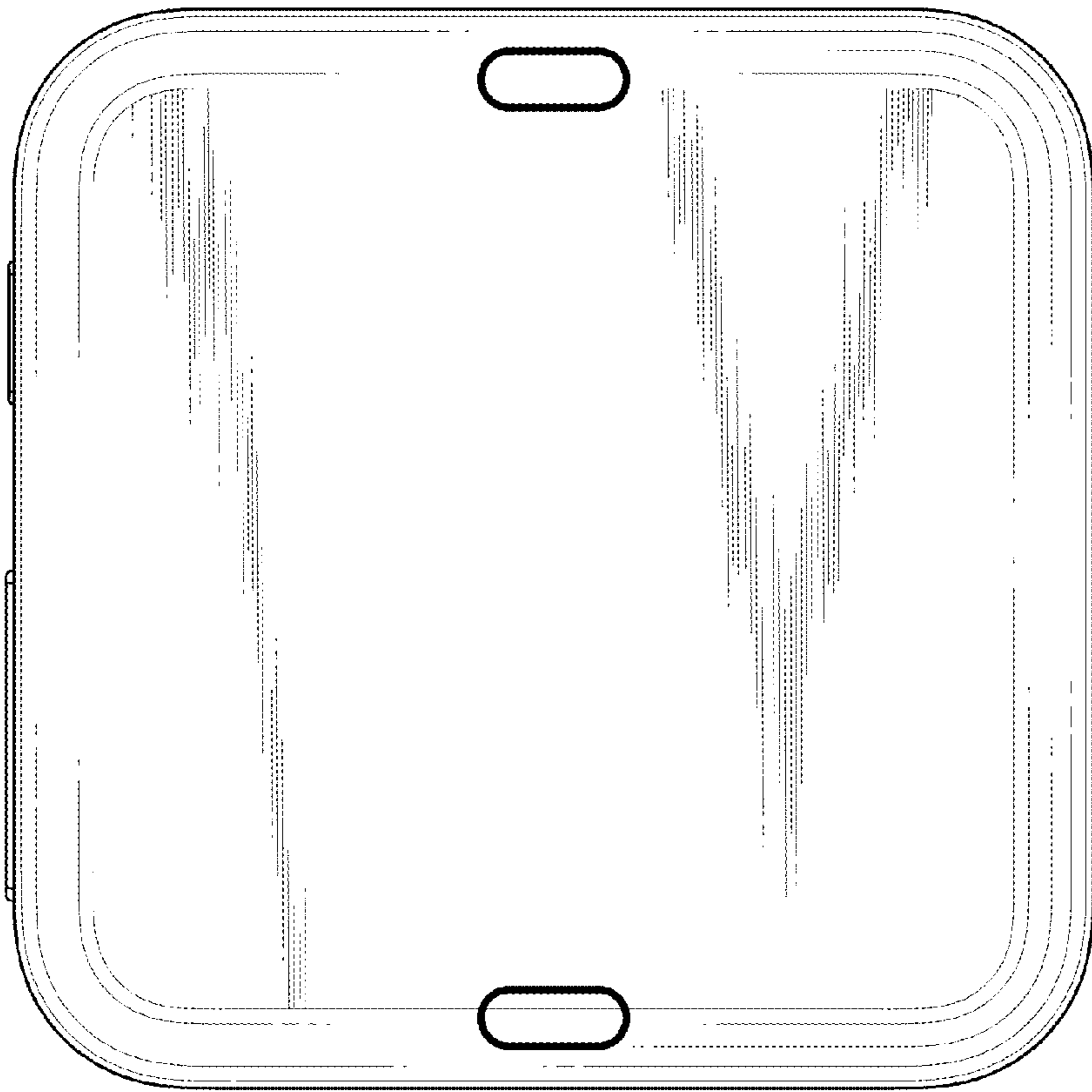


Fig. 3

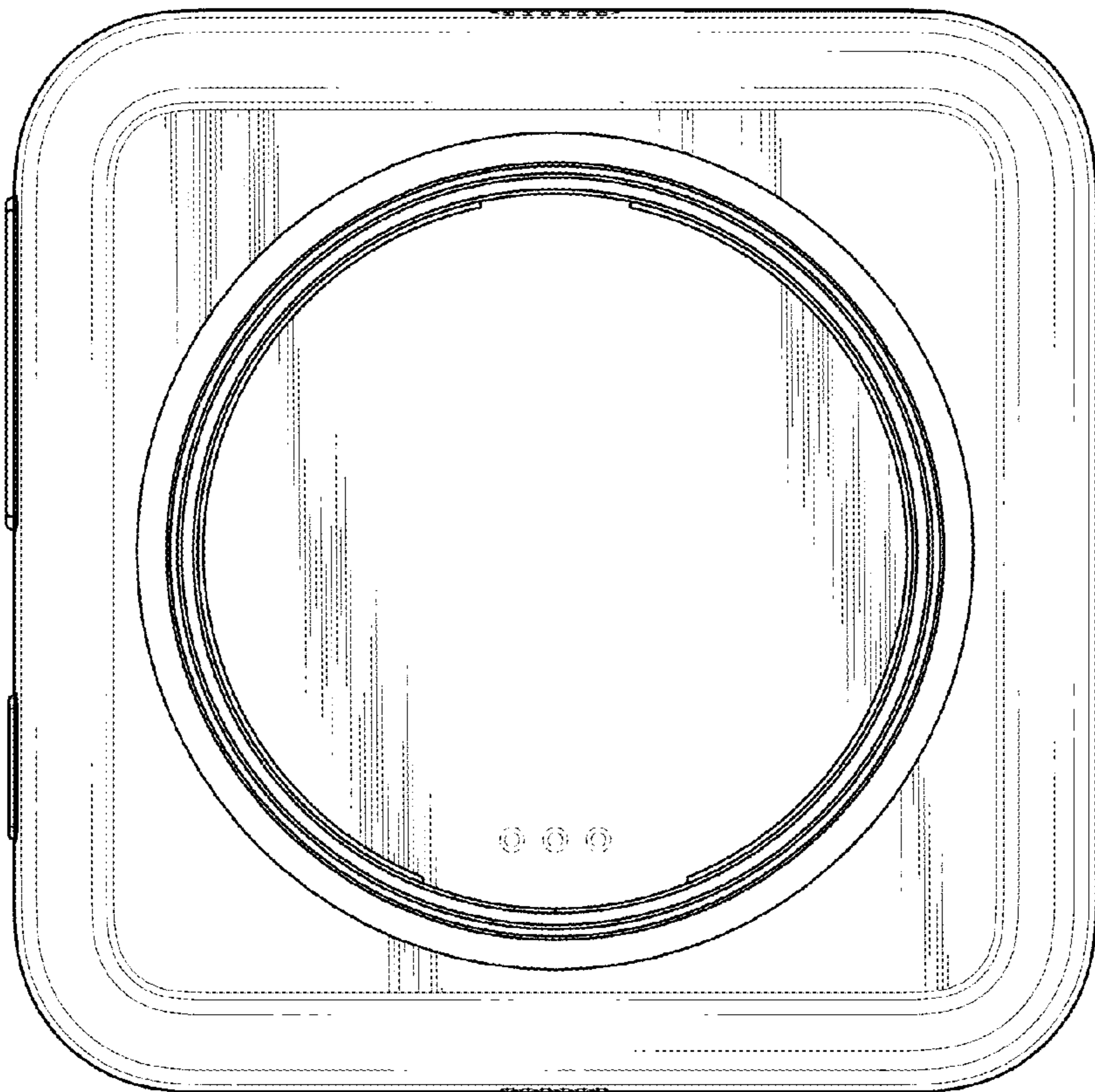


Fig. 4

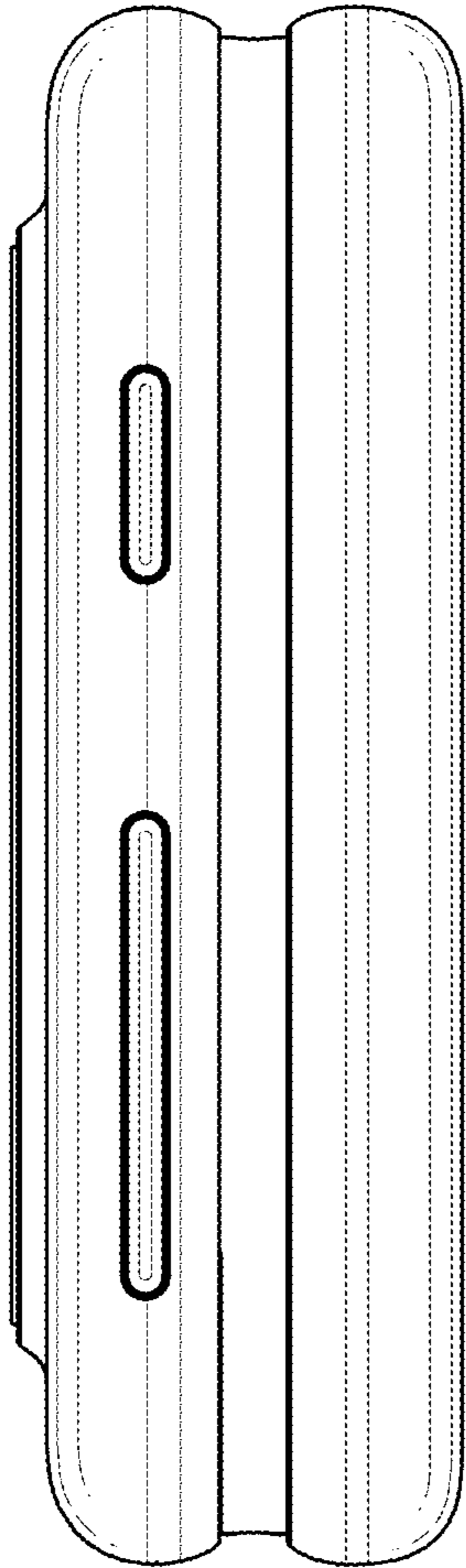


Fig. 5

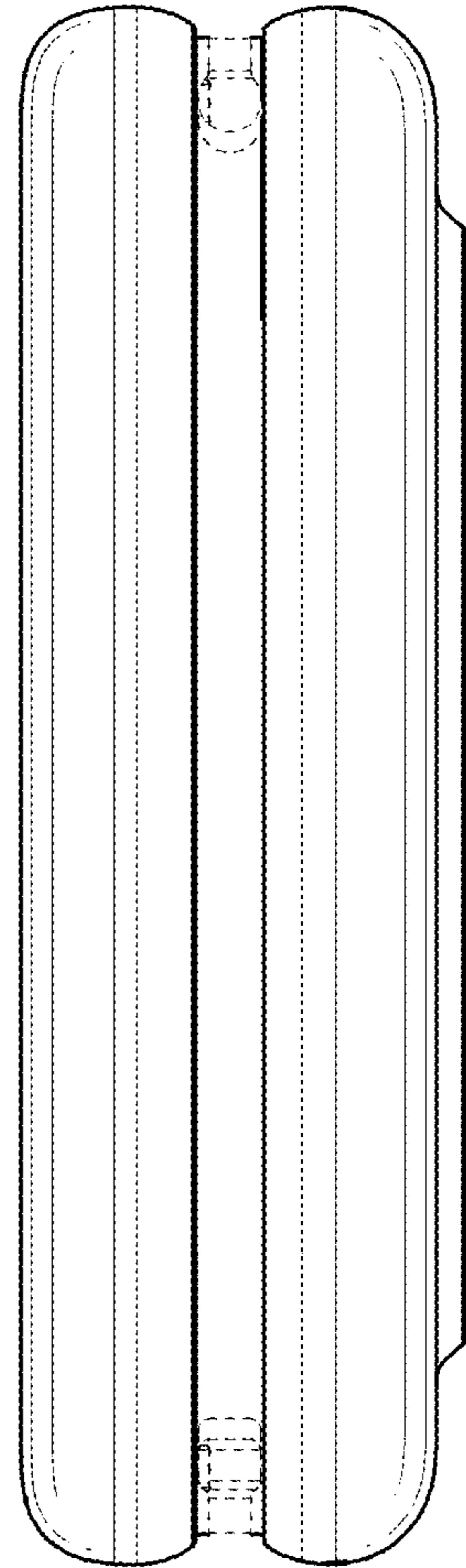


Fig. 6

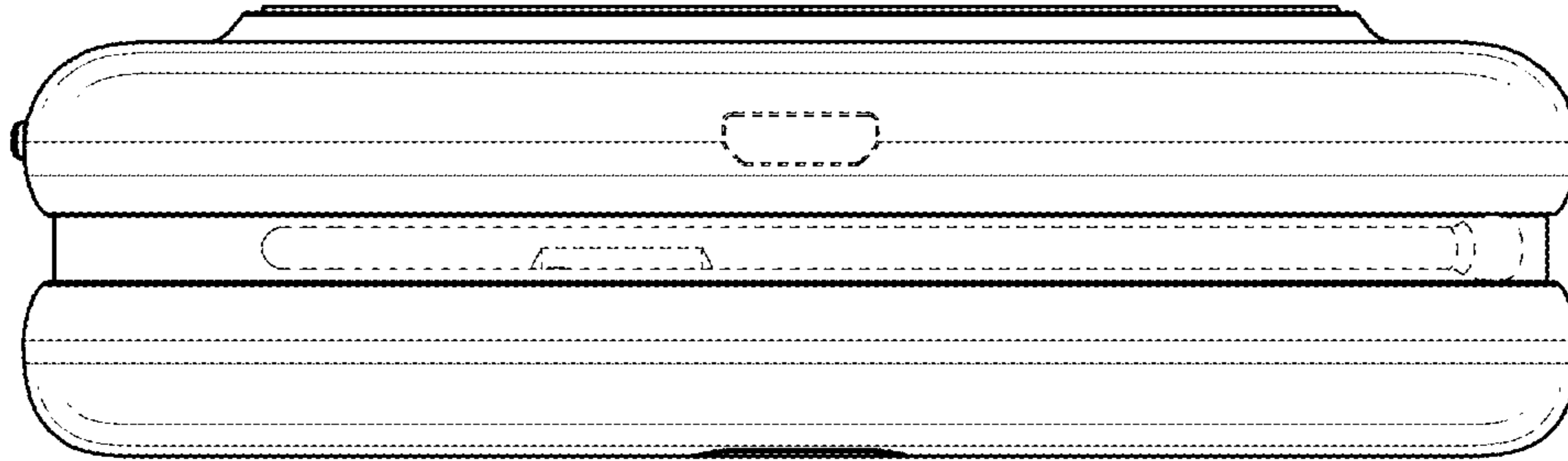


Fig. 7

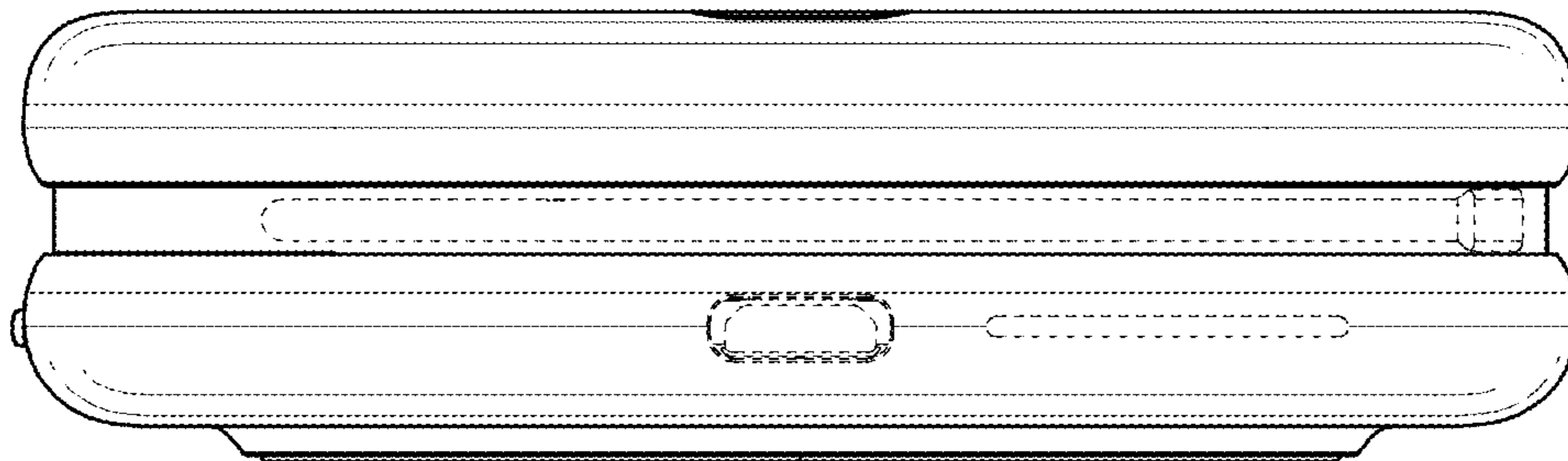


Fig. 8