



US00D912044S

(12) **United States Design Patent**
Seo et al.

(10) **Patent No.:** **US D912,044 S**
(45) **Date of Patent:** **** Mar. 2, 2021**

(54) **MONITOR**

(71) Applicant: **Samsung Electronics Co., Ltd.**,
Suwon-si (KR)

(72) Inventors: **Youngjin Seo**, Suwon-si (KR); **Taeyeon Won**,
Suwon-si (KR)

(73) Assignee: **SAMSUNG ELECTRONICS CO., LTD.**,
Suwon-si (KR)

(**) Term: **15 Years**

(21) Appl. No.: **29/696,917**

(22) Filed: **Jul. 2, 2019**

(30) **Foreign Application Priority Data**

Jan. 4, 2019 (KR) 30-2019-0000545

(51) **LOC (13) Cl.** **14-02**

(52) **U.S. Cl.**
USPC **D14/336**

(58) **Field of Classification Search**
USPC D14/336, 337, 341, 375, 376, 377, 127,
D14/128, 129, 371, 372, 373, 374, 126;
D16/200, 210, 211, 212, 219

(Continued)

(56) **References Cited**

U.S. PATENT DOCUMENTS

D471,577 S * 3/2003 Horikiri D16/212
D617,360 S * 6/2010 Endo D16/134

(Continued)

FOREIGN PATENT DOCUMENTS

DM 099428 5/2018
DM 099429 5/2018

(Continued)

OTHER PUBLICATIONS

YouTube. Link: https://www.youtube.com/watch?v=Q9_j-NbiYuw.
Jan. 7, 2020. Best Curved Monitors in 2020. (Year: 2020).*

(Continued)

Primary Examiner — Lauren D McVey

(74) *Attorney, Agent, or Firm* — McAndrews Held & Malloy, Ltd.

(57) **CLAIM**

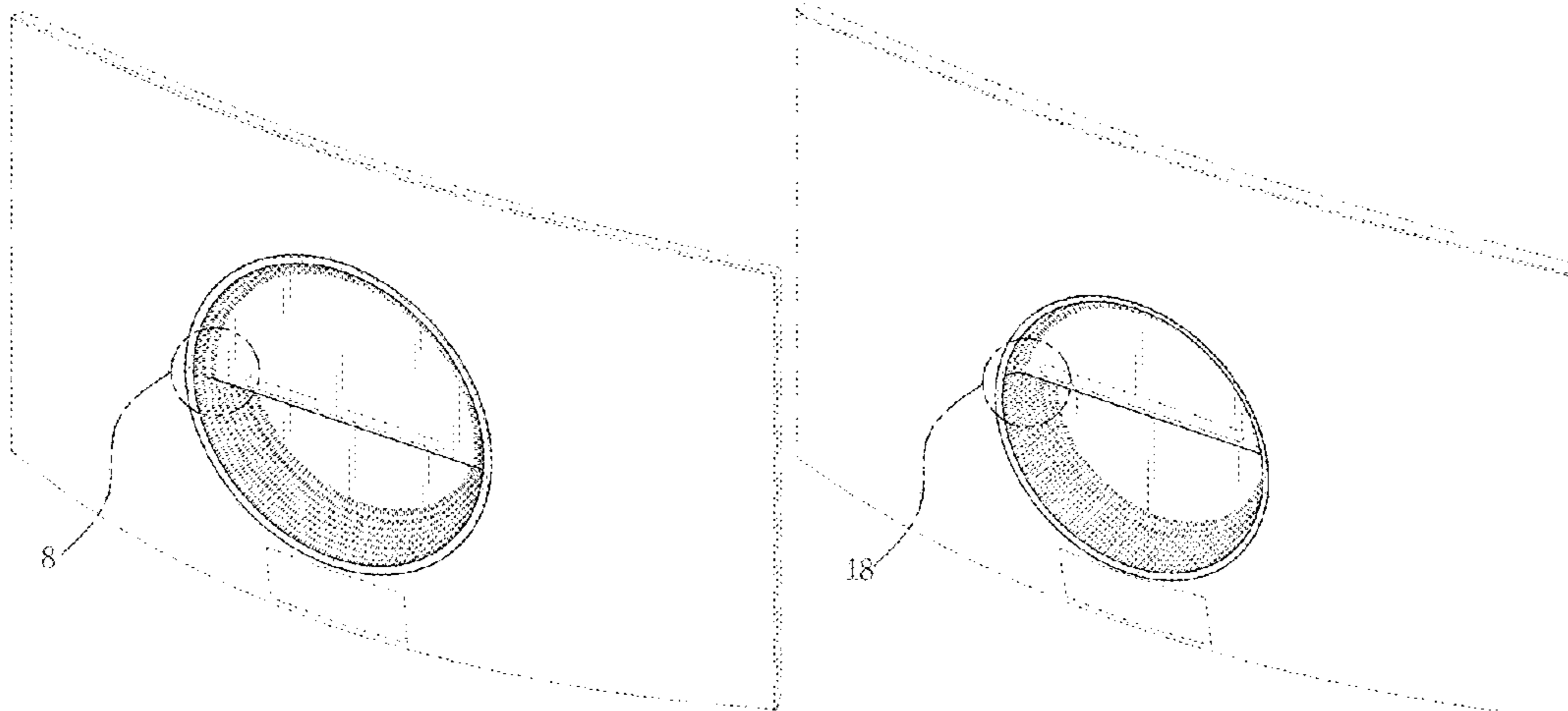
The ornamental design for a monitor, as shown and described.

DESCRIPTION

FIG. 1 is a front perspective view of a monitor showing our new design according to a first embodiment; FIG. 2 is a front elevation view thereof; FIG. 3 is a rear elevation view thereof; FIG. 4 is a left side elevation view thereof; FIG. 5 is a right side elevation view thereof; FIG. 6 is a top plan view thereof; FIG. 7 is a bottom plan view thereof; FIG. 8 is an enlarged view of the portion 8 encircled in FIG. 1; FIG. 9 is an enlarged view of the portion 9 encircled in FIG. 2; FIG. 10 is a front perspective view thereof, shown in a state of use; FIG. 11 is a front perspective view of a monitor showing our new design according to a second embodiment; FIG. 12 is a front elevation view thereof; FIG. 13 is a rear elevation view thereof; FIG. 14 is a left side elevation view thereof; FIG. 15 is a right side elevation view thereof; FIG. 16 is a top plan view thereof; FIG. 17 is a bottom plan view thereof; FIG. 18 is an enlarged view of the portion 18 encircled in FIG. 11; FIG. 19 is an enlarged view of the portion 19 encircled in FIG. 12; and, FIG. 20 is a front perspective view thereof, shown in a state of use.

The evenly-spaced dashed broken lines illustrating the monitor stand in FIGS. 10 and 20 are environment that form no part of the claimed design. The remaining evenly-spaced dashed broken lines in the figures, including those immediately adjacent to the shaded areas, illustrate portions of the monitor that form no part of the claimed design. The

(Continued)



US D912,044 S

Page 2

unevenly-spaced dot-dash broken lines in the drawings encircle portions of the claimed design that are illustrated in enlargements and form no part of the claimed design.

1 Claim, 14 Drawing Sheets

D850,441 S *	6/2019	Lee	D14/336
D858,473 S *	9/2019	Lee	D14/126
D859,337 S *	9/2019	Lee	D14/126
D872,085 S *	1/2020	Lee	D14/374
D888,677 S *	6/2020	Ryu	D14/126
D893,479 S *	8/2020	Ryu	D14/374

(58) Field of Classification Search

CPC G06F 1/1601; G06F 1/1605; G06F 1/162
See application file for complete search history.

DM	099766	5/2018
IN	319202-001-0001	* 8/2020
KR	30-0448300	5/2007
KR	30-0969726	8/2018
KR	301061682.0000	* 6/2020

FOREIGN PATENT DOCUMENTS

(56) References Cited

U.S. PATENT DOCUMENTS

D661,721 S *	6/2012	Fujikawa	D16/230
D667,863 S *	9/2012	Yasutomi	D16/219
D686,270 S *	7/2013	Kusuki	D16/235
D696,326 S *	12/2013	Sato	D16/200
D739,403 S *	9/2015	David	D14/341

OTHER PUBLICATIONS

YouTube. Link: https://www.youtube.com/watch?v=h3ZDrSL_OtM. Feb. 15, 2019. Best Curved Monitors in 2019. (Year: 2019).*

* cited by examiner

FIG. 1

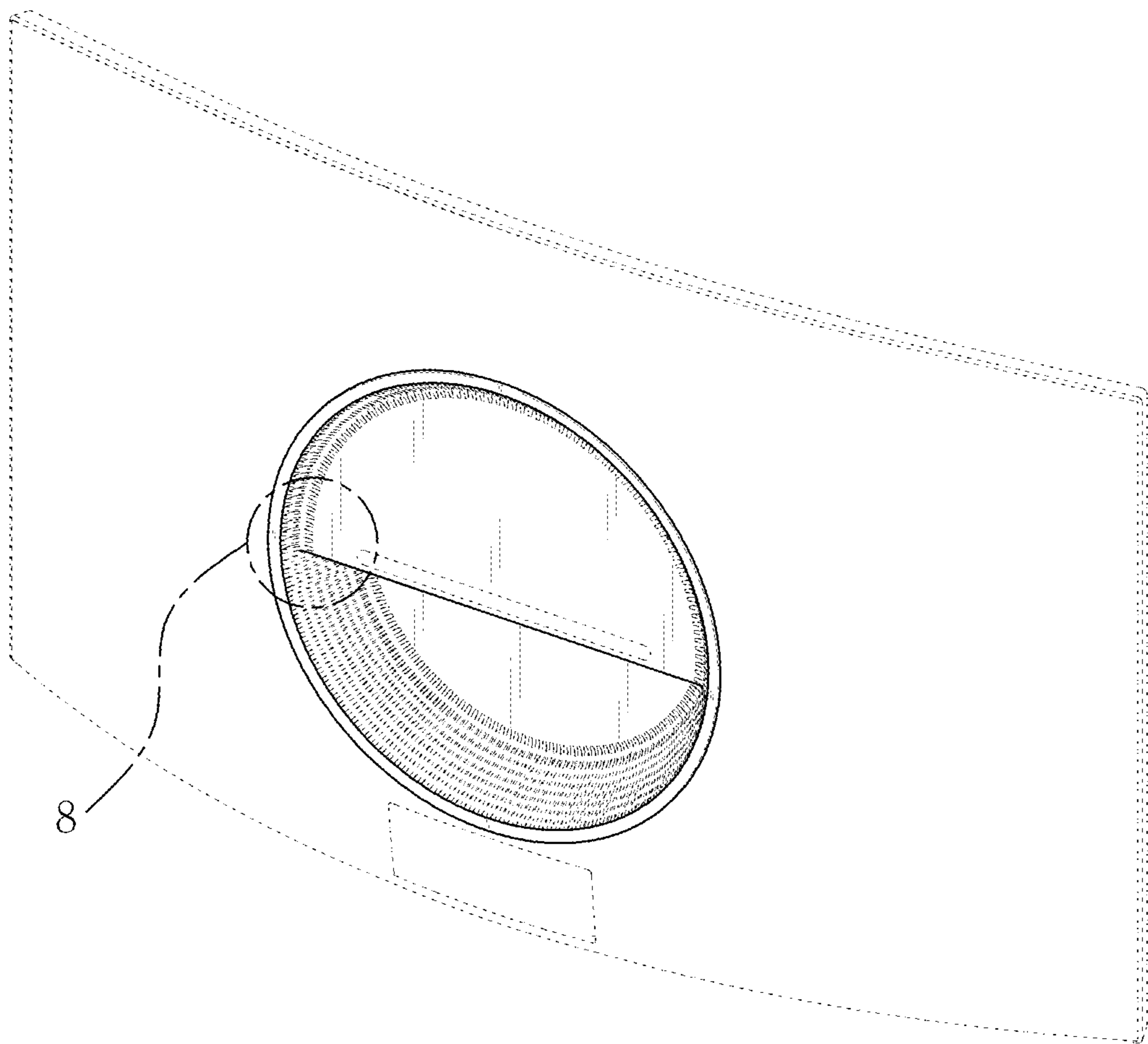


FIG. 2

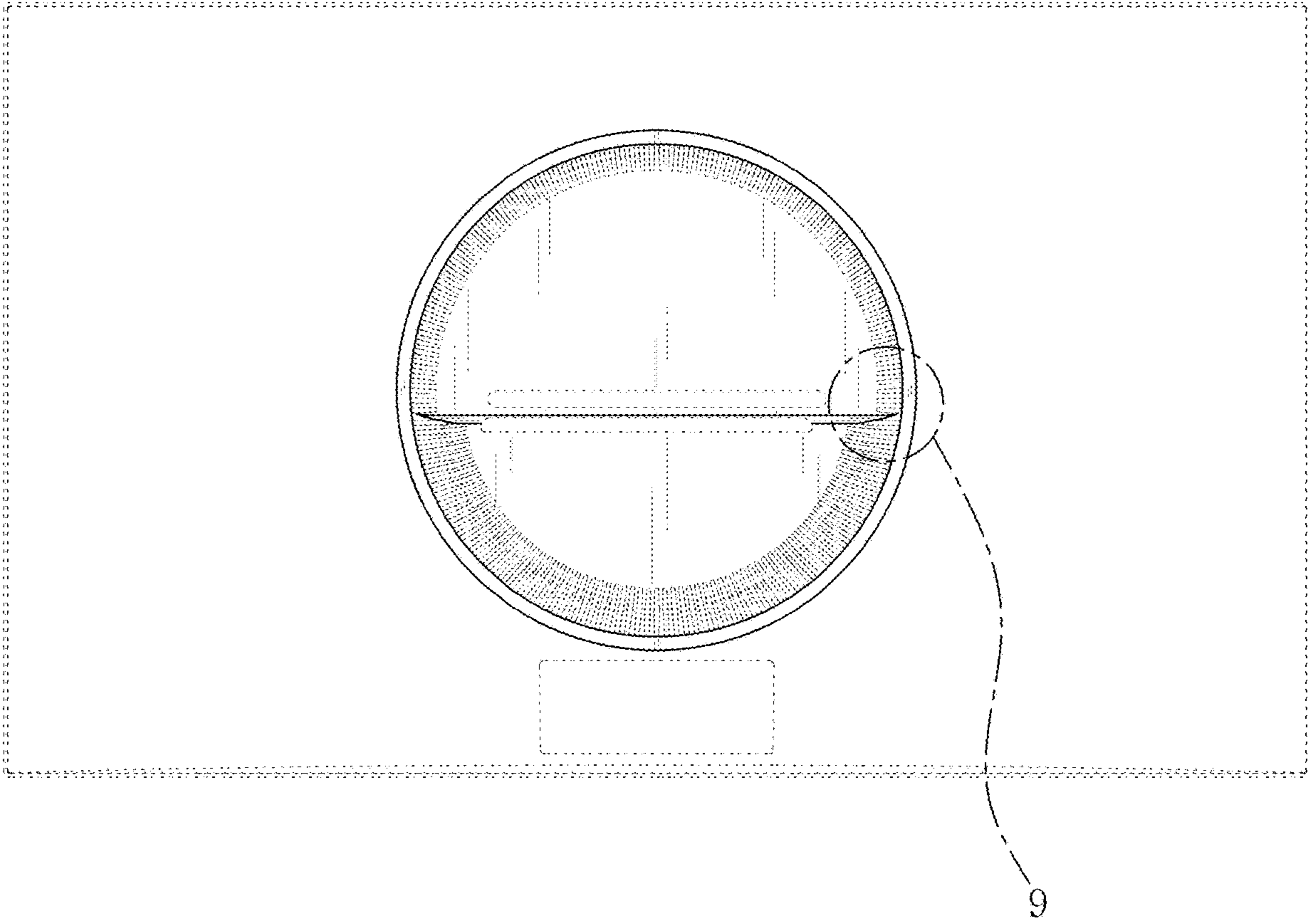


FIG. 3

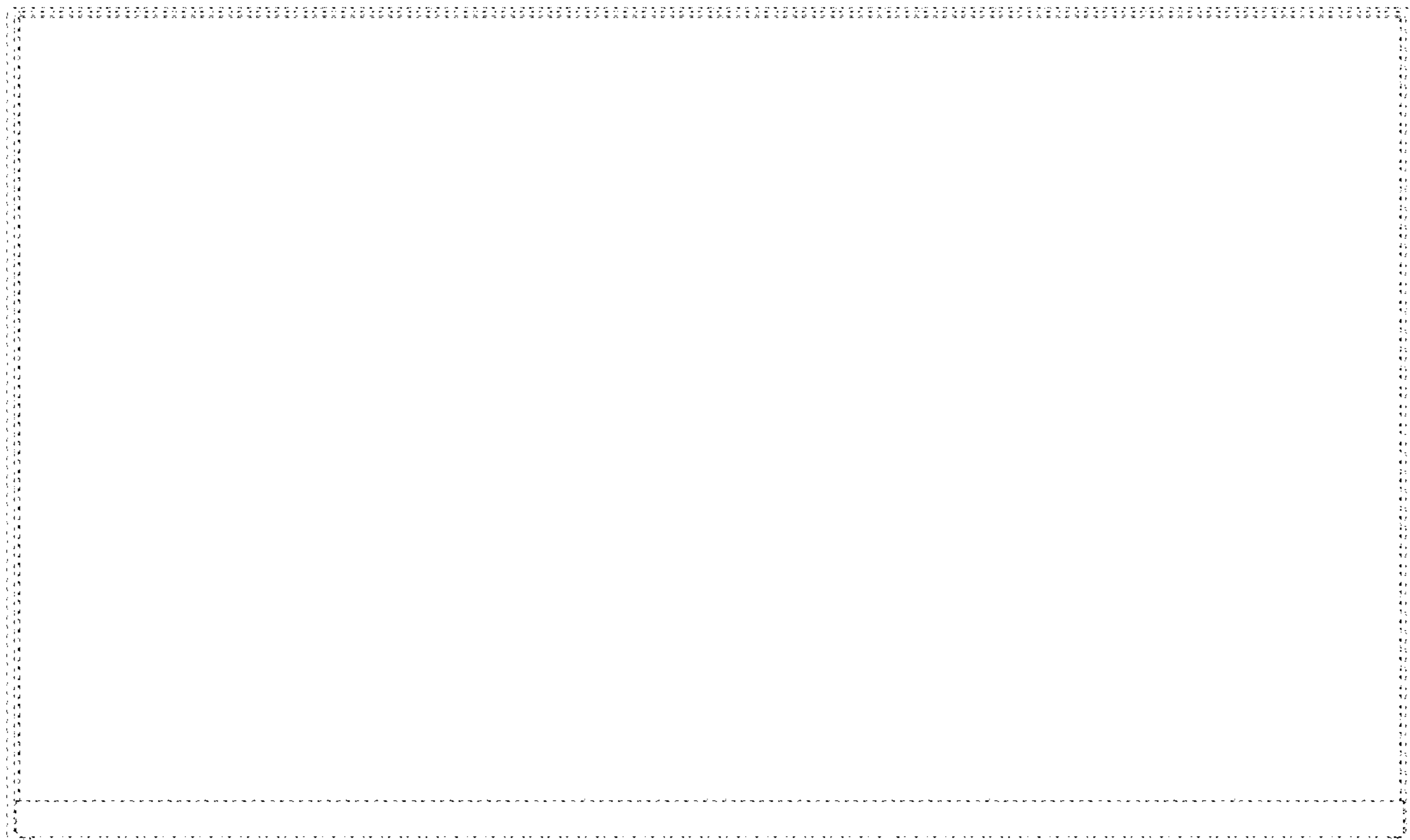


FIG. 4

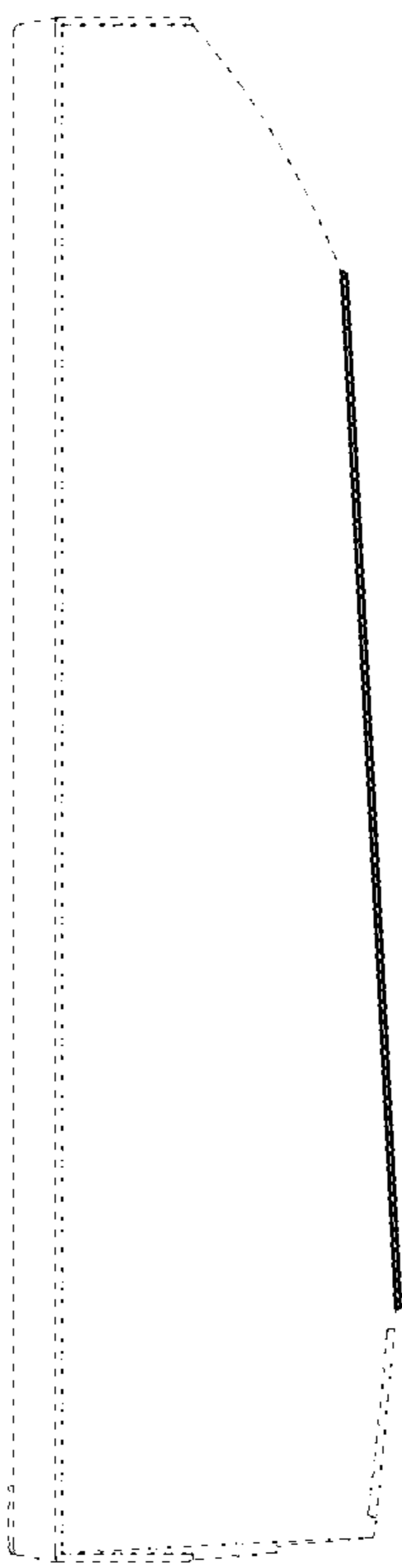


FIG. 5

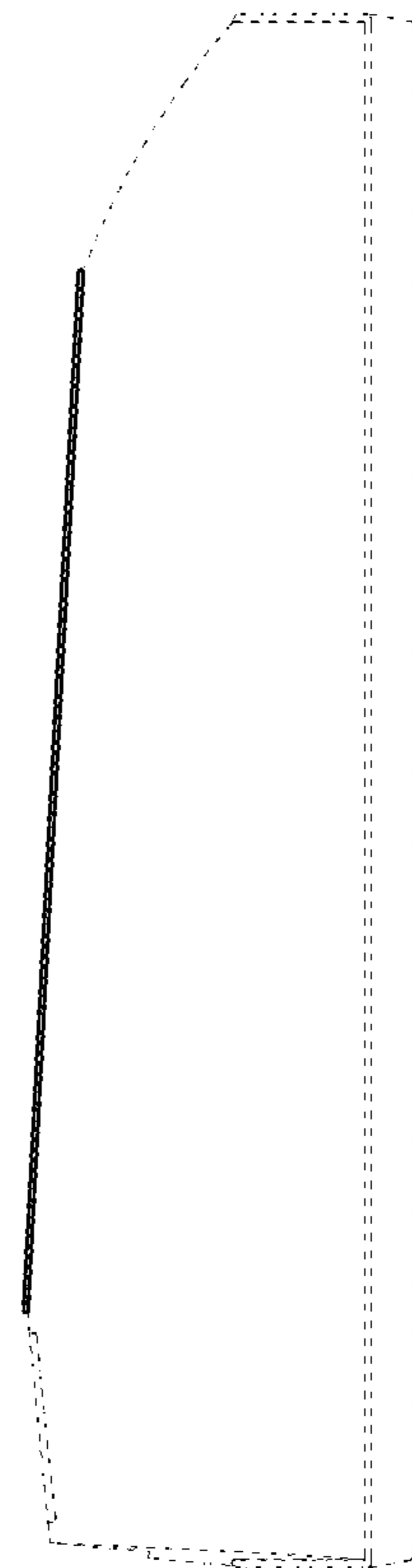


FIG. 6

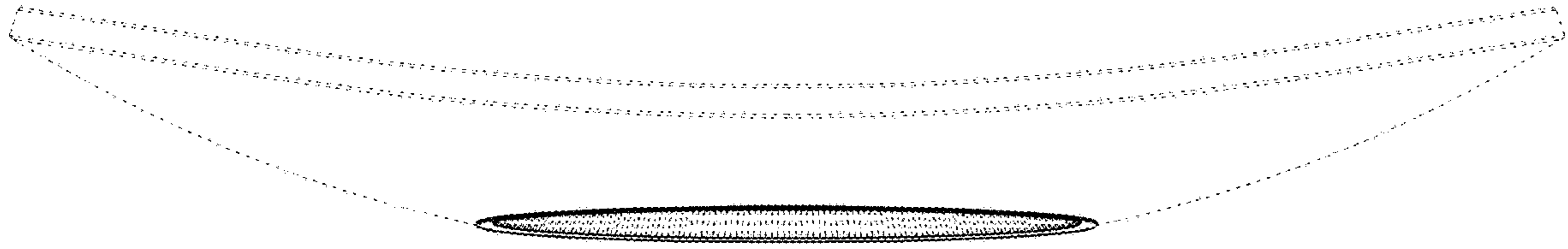


FIG. 7

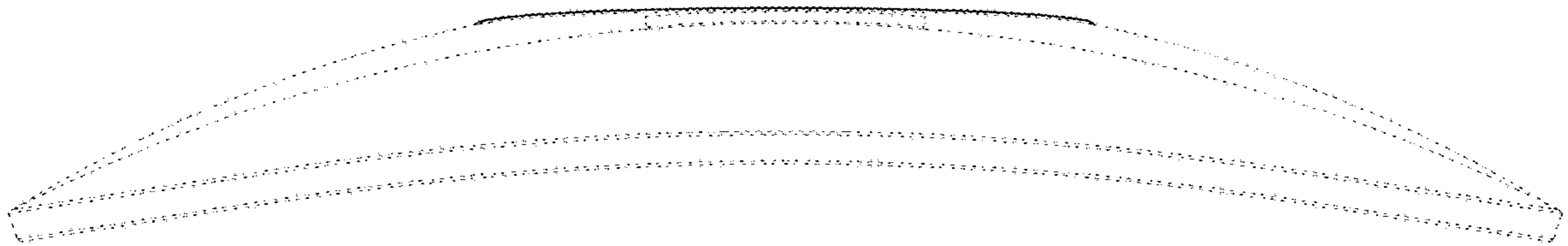


FIG. 8

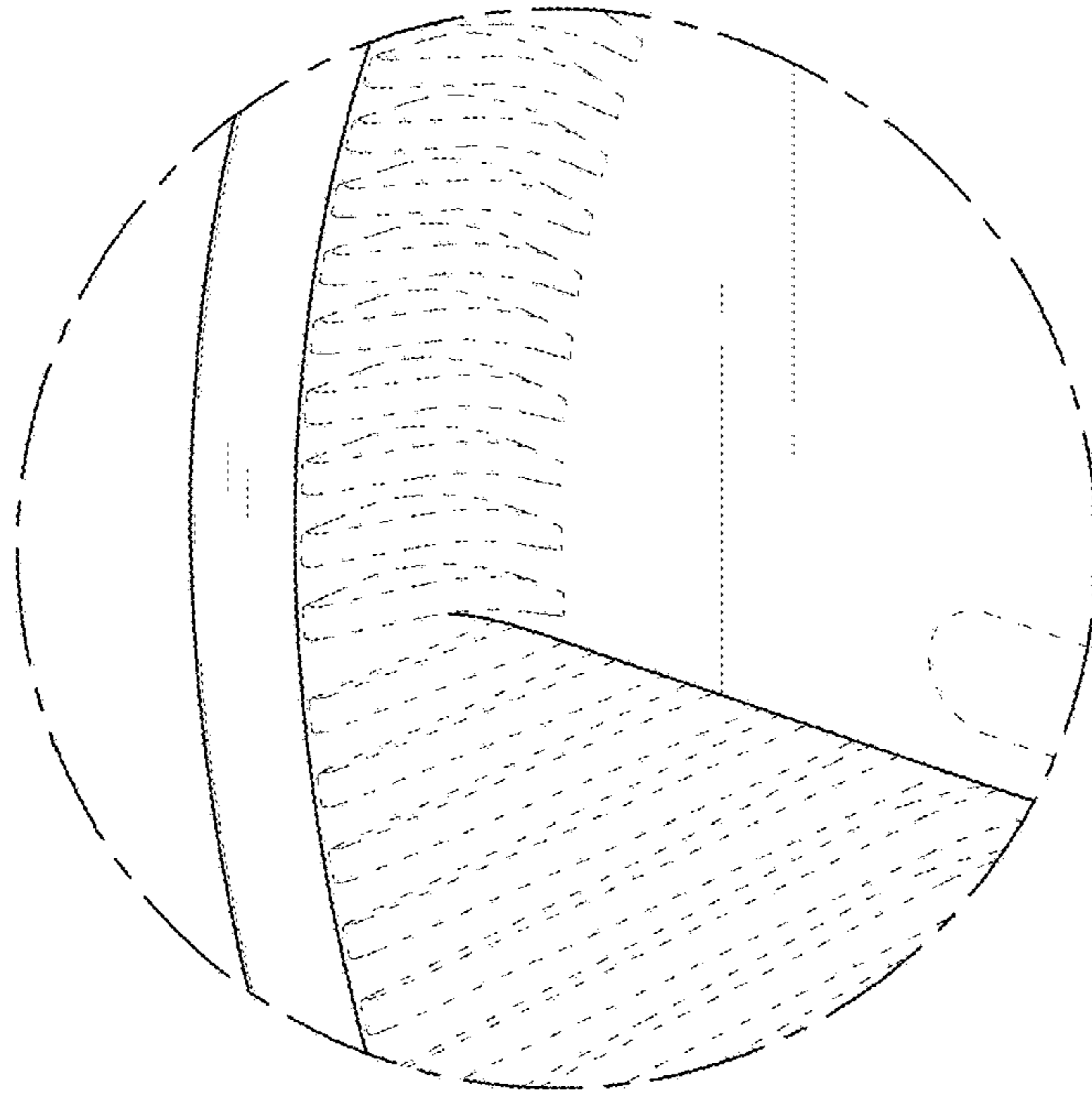


FIG. 9

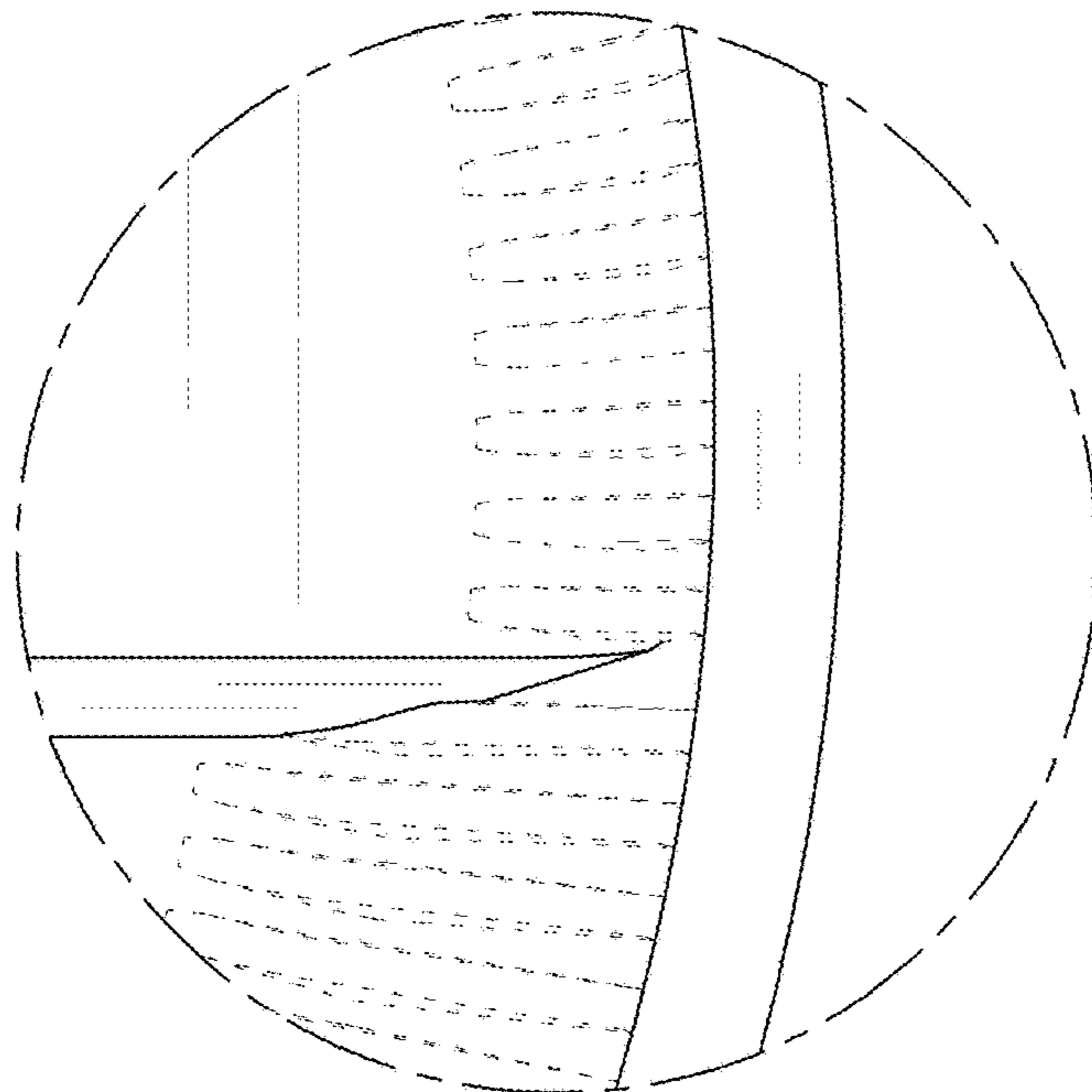


FIG. 10

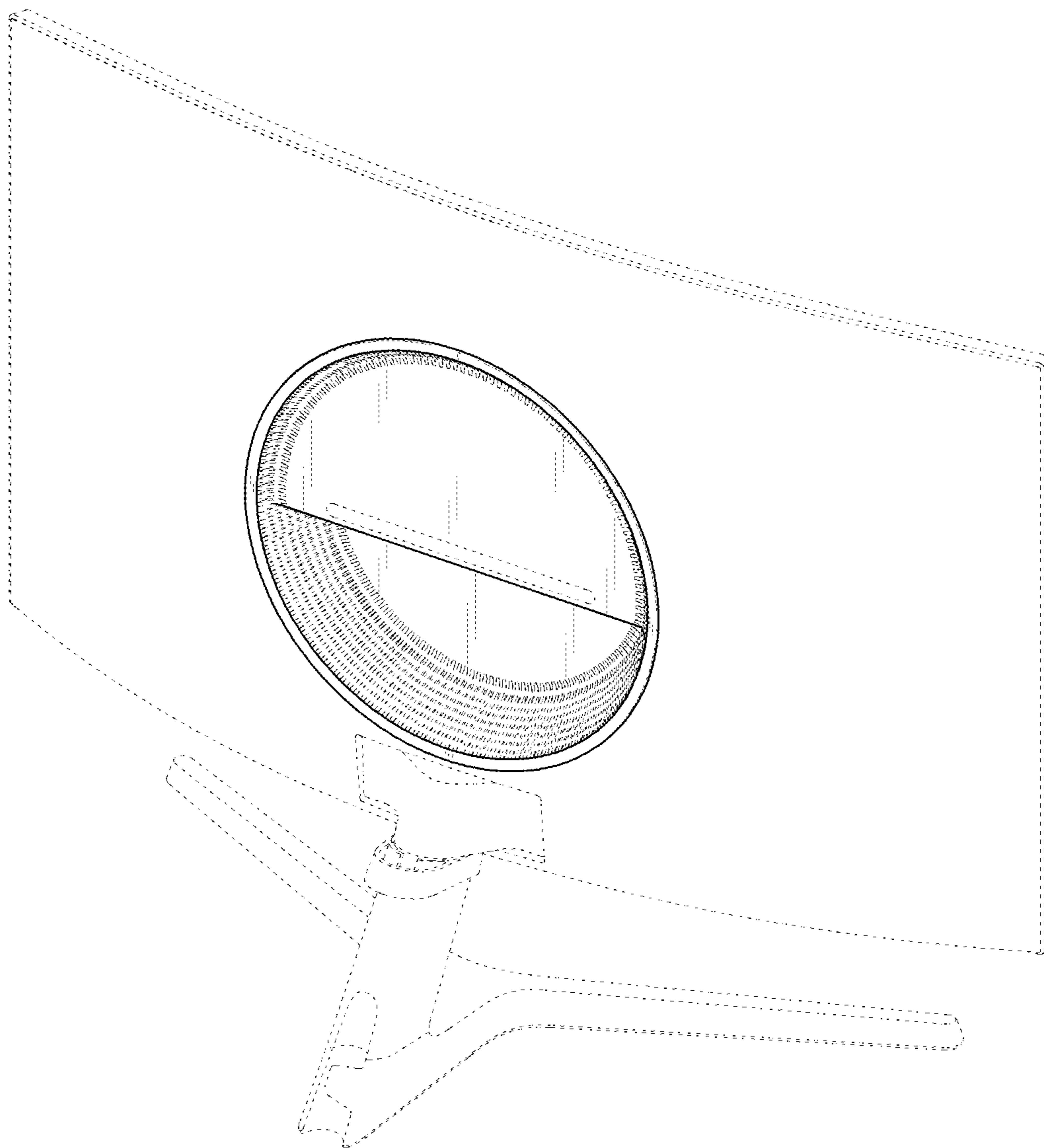


FIG. 11

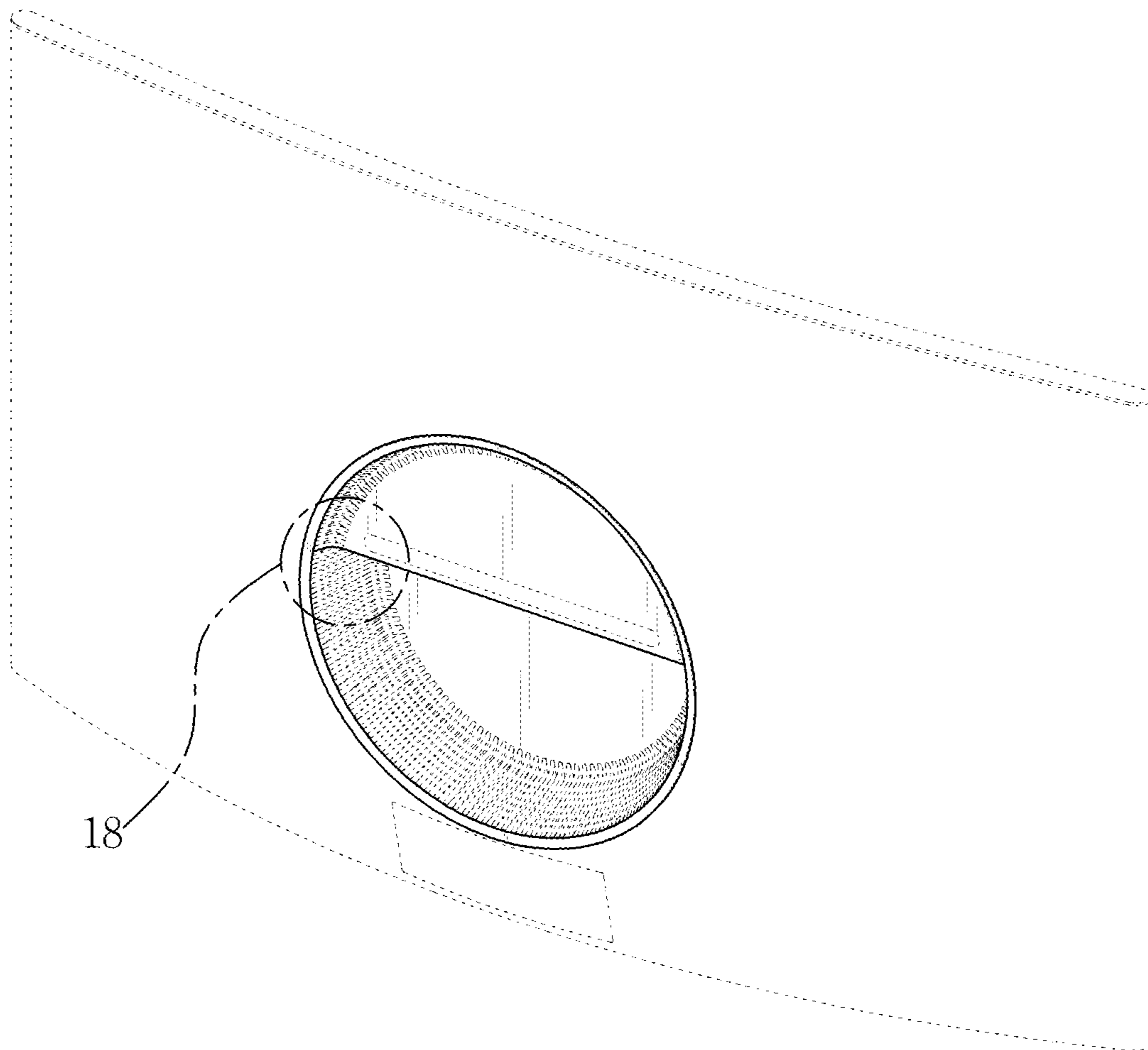


FIG. 12

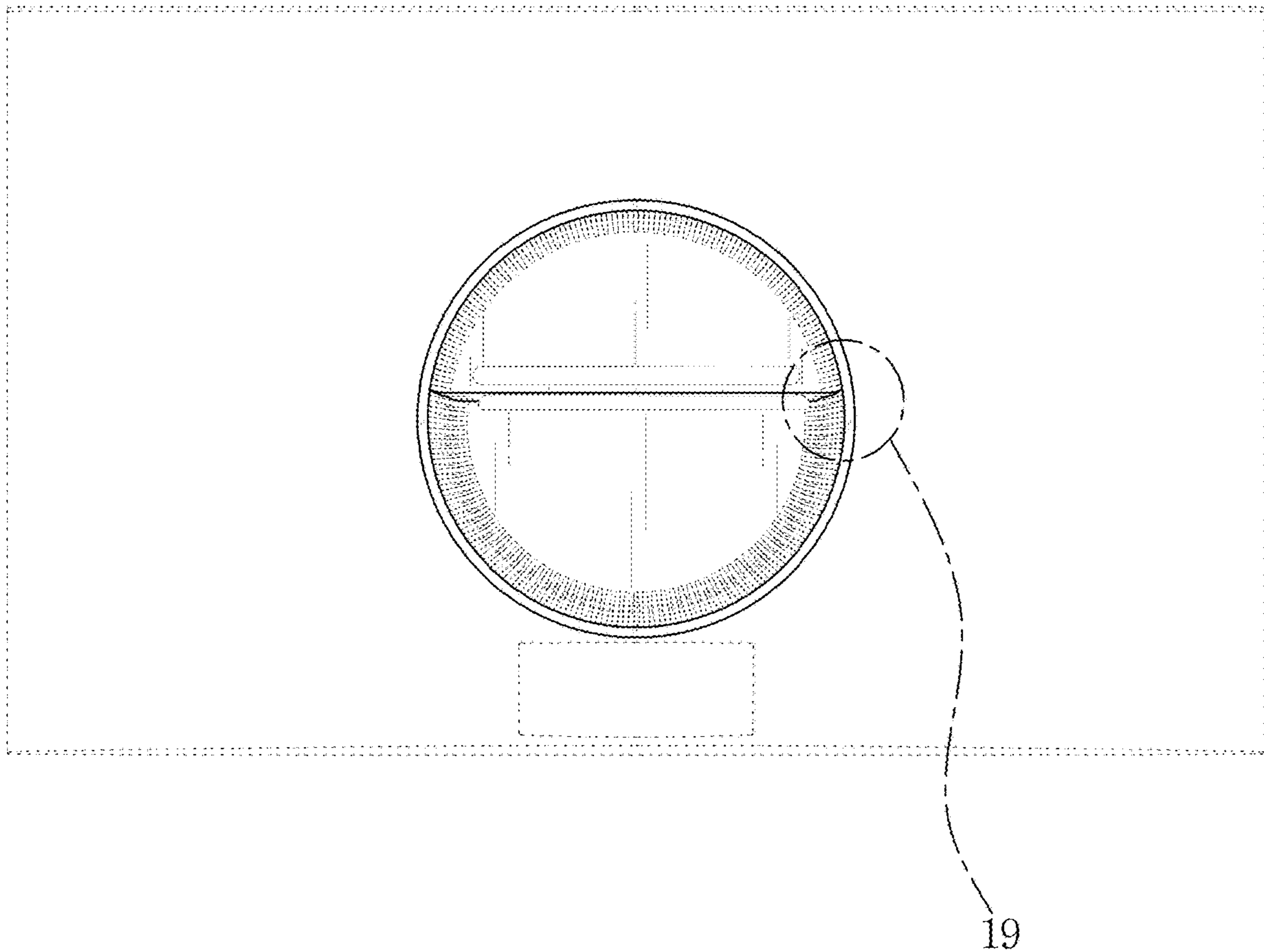


FIG. 13



FIG. 14

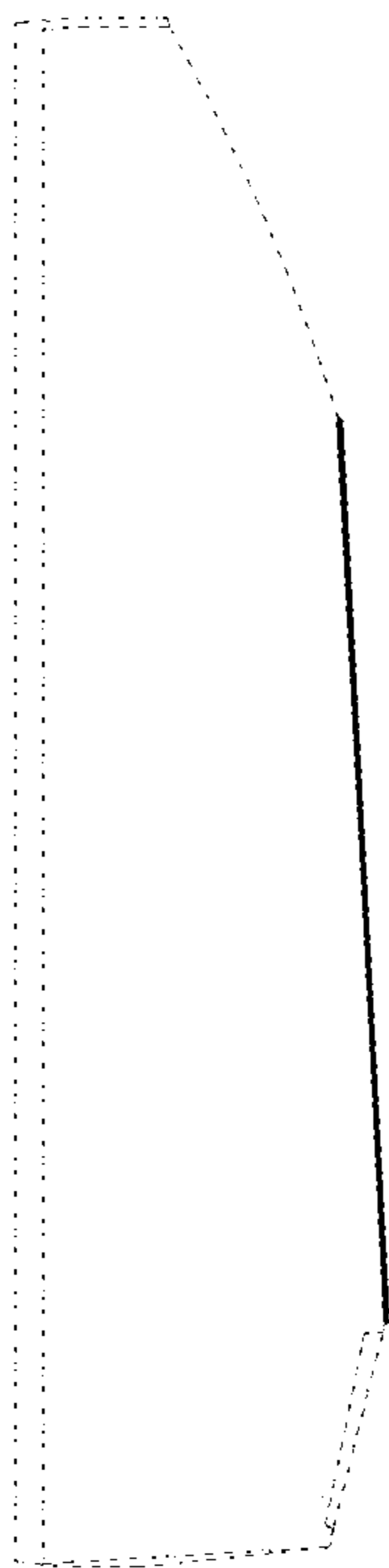


FIG. 15

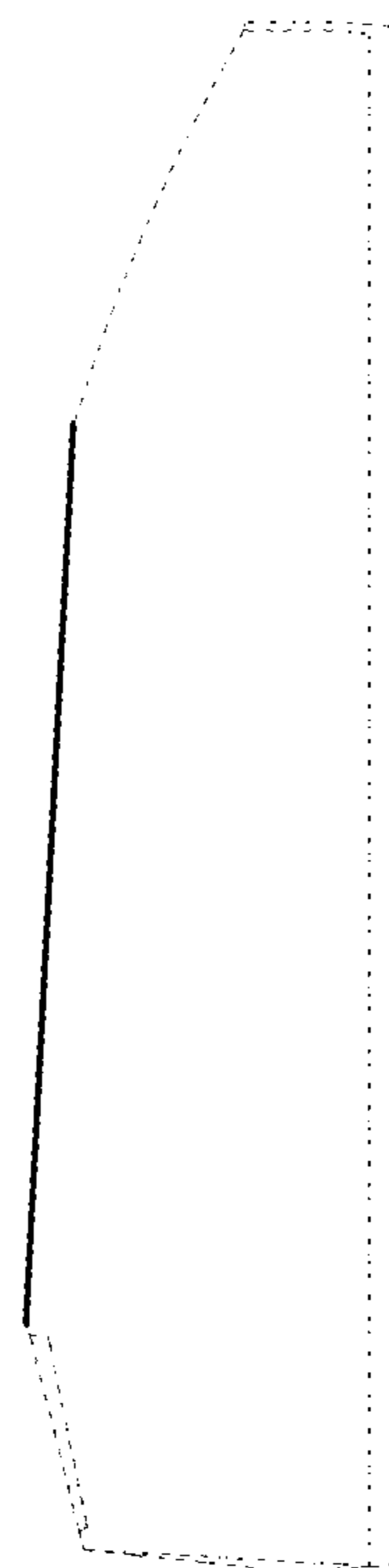


FIG. 16

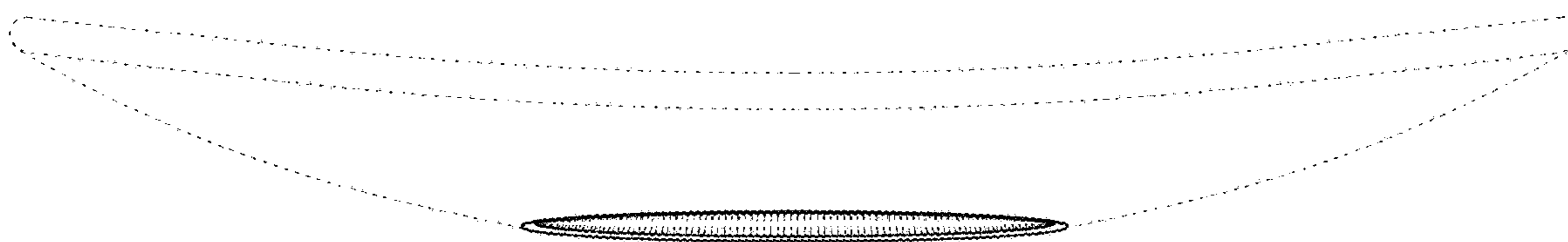


FIG. 17

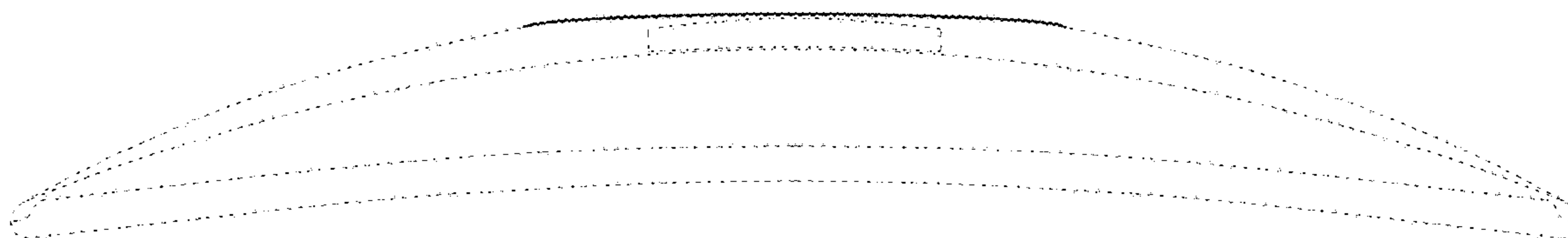


FIG. 18

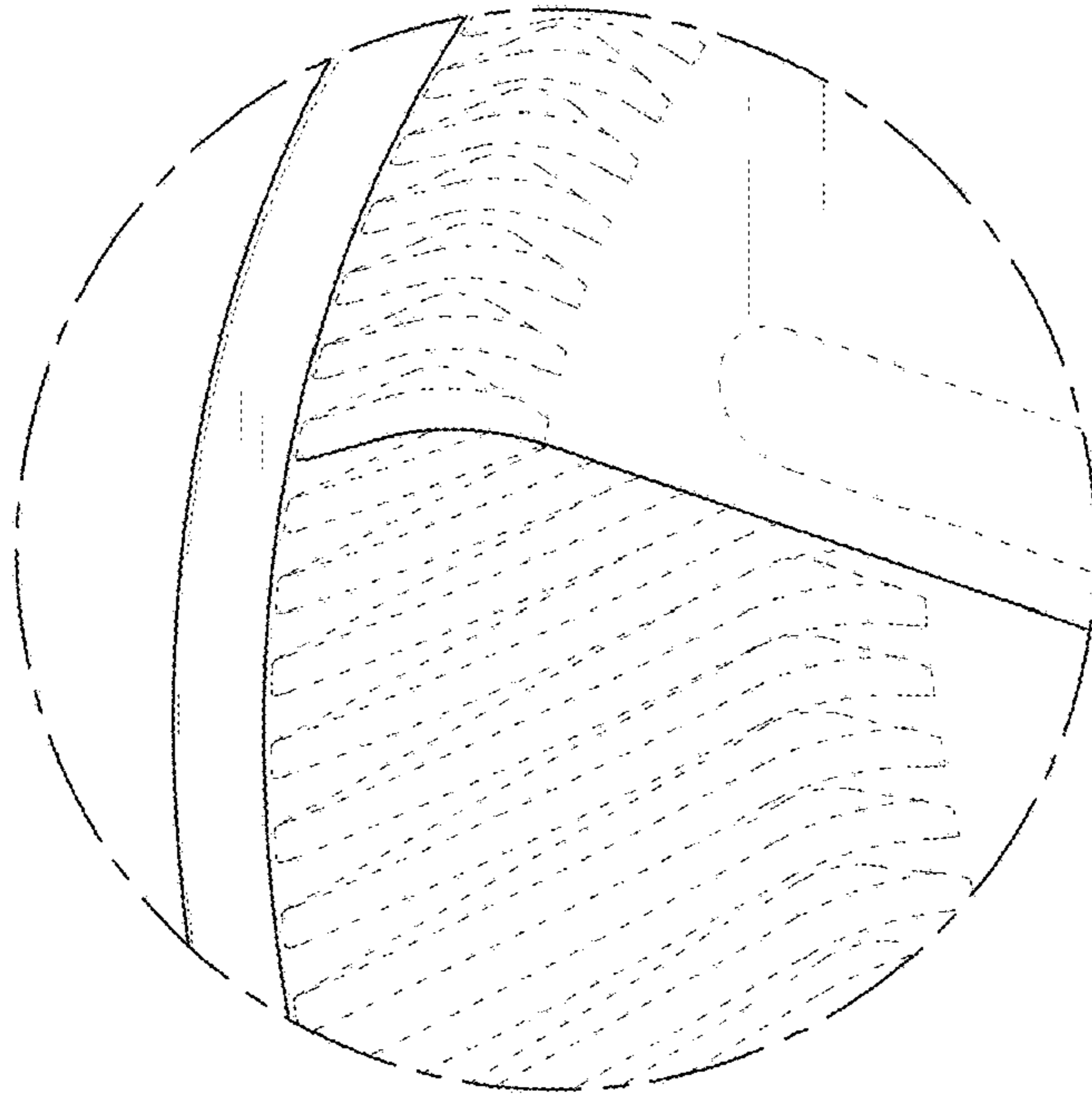


FIG. 19

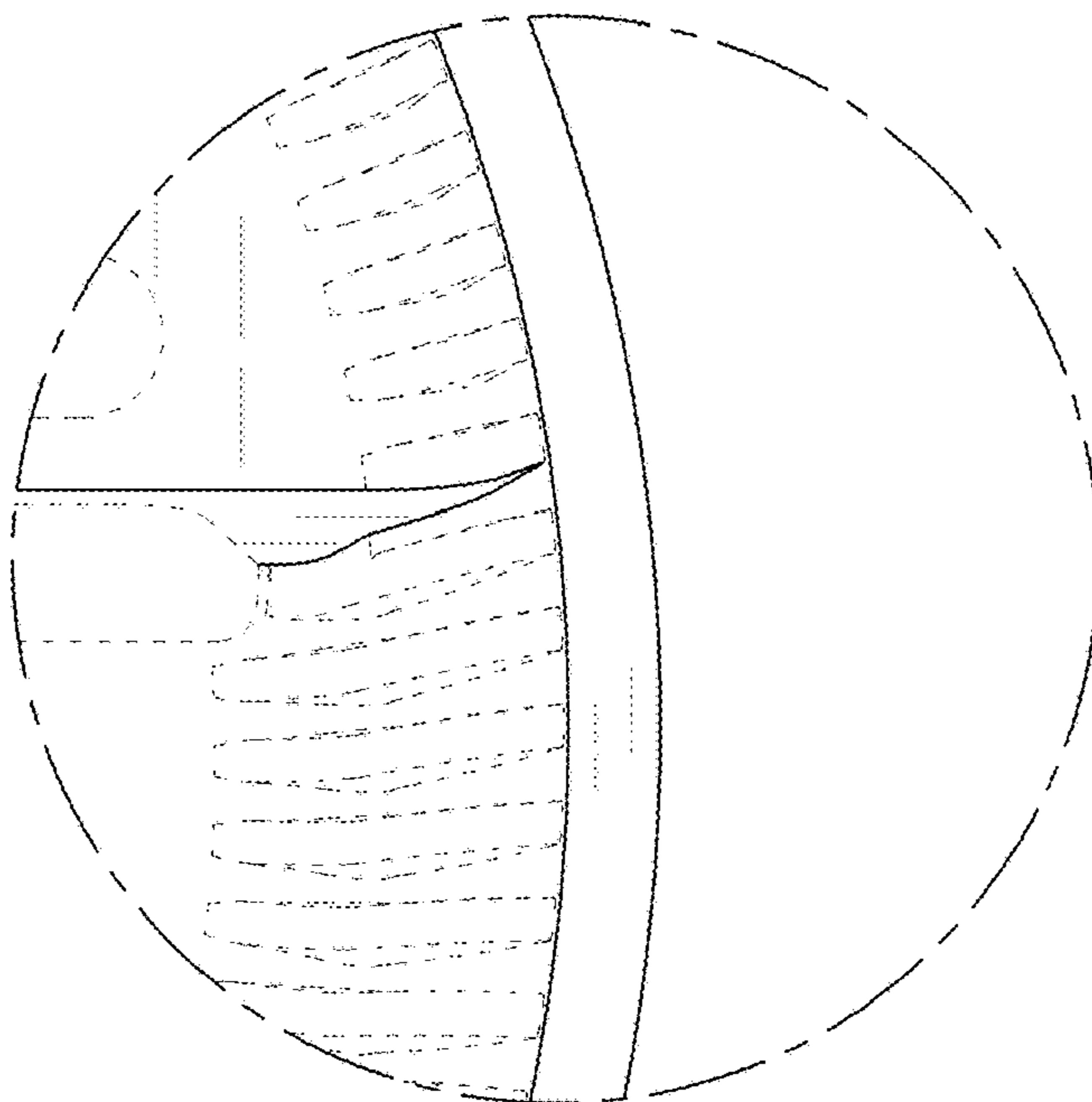


FIG. 20

