



US00D912043S

(12) **United States Design Patent**
Shuldman et al.

(10) **Patent No.:** **US D912,043 S**
(45) **Date of Patent:** **** Mar. 2, 2021**

(54) **TERMINAL WITH INTEGRAL PRINTERS**

- (71) Applicant: **TransAct Technologies Incorporated**, Hamden, CT (US)
- (72) Inventors: **Bart C. Shuldman**, Westport, CT (US); **Donald E. Brooks**, Ithaca, NY (US); **Michael Sizer**, Freeville, NY (US); **David E. Weeks**, Willseyville, NY (US); **Bruce Harris**, Freeville, NY (US); **Richard A. Monroe**, Syracuse, NY (US); **David Block**, El Cerrito, CA (US); **Miguel Ortiz**, New York, NY (US)
- (73) Assignee: **TransAct Technologies Incorporated**, Hamden, CT (US)

(**) Term: **15 Years**

(21) Appl. No.: **29/674,218**

(22) Filed: **Dec. 20, 2018**

(51) **LOC (13) Cl.** **14-02**

(52) **U.S. Cl.**
USPC **D14/336**; D18/19

(58) **Field of Classification Search**
USPC D14/336, 337, 341, 375, 376, 377, 127, D14/128, 129, 126, 371, 372, 373, 374, D14/301, 303, 307, 121; D18/19
(Continued)

(56) **References Cited**

U.S. PATENT DOCUMENTS

- D469,085 S * 1/2003 Hill D14/337
 - D570,345 S * 6/2008 Lee D14/336
- (Continued)

FOREIGN PATENT DOCUMENTS

EM 003391143-0001 * 10/2016

OTHER PUBLICATIONS

Amazon. Link: https://www.amazon.com/dp/B01BTE2LSE/ref=cm_sw_em_r_mt_dp_U_QmwyEbT1B7G0M. Aug. 28, 2016. Datio POS Point of Sale Base Station and Cash Register for iPad with Point of Sale (POS) Software. (Year: 2016).*

(Continued)

Primary Examiner — Lauren D McVey
(74) *Attorney, Agent, or Firm* — Lipsitz & McAllister, LLC

(57) **CLAIM**

The ornamental design for a terminal with integral printers, as shown and described.

DESCRIPTION

FIG. 1 is a front and right side perspective view of a terminal with integral printers at a first angled position showing the new design;

FIG. 2 is a front and left side perspective view thereof;

FIG. 3 is a front elevation view thereof;

FIG. 4 is a rear elevation view thereof;

FIG. 5 is a right side elevation view thereof;

FIG. 6 is a left side elevation view thereof;

FIG. 7 is a top plan view thereof;

FIG. 8 is a bottom plan view thereof;

FIG. 9 is a front and right side perspective view thereof, shown with additional environment;

FIG. 10 is a front and left side perspective view of the terminal at a second angled position;

FIG. 11 is a left side elevation view of the terminal at the second angled position;

FIG. 12 is a front and left side perspective view of the terminal at a third angled position;

FIG. 13 is a left side elevation view of the terminal at the third angled position;

FIG. 14 a front and left side perspective view of the terminal at a fourth angled position;

FIG. 15 is a left side elevation view of the terminal at the fourth angled position;

(Continued)

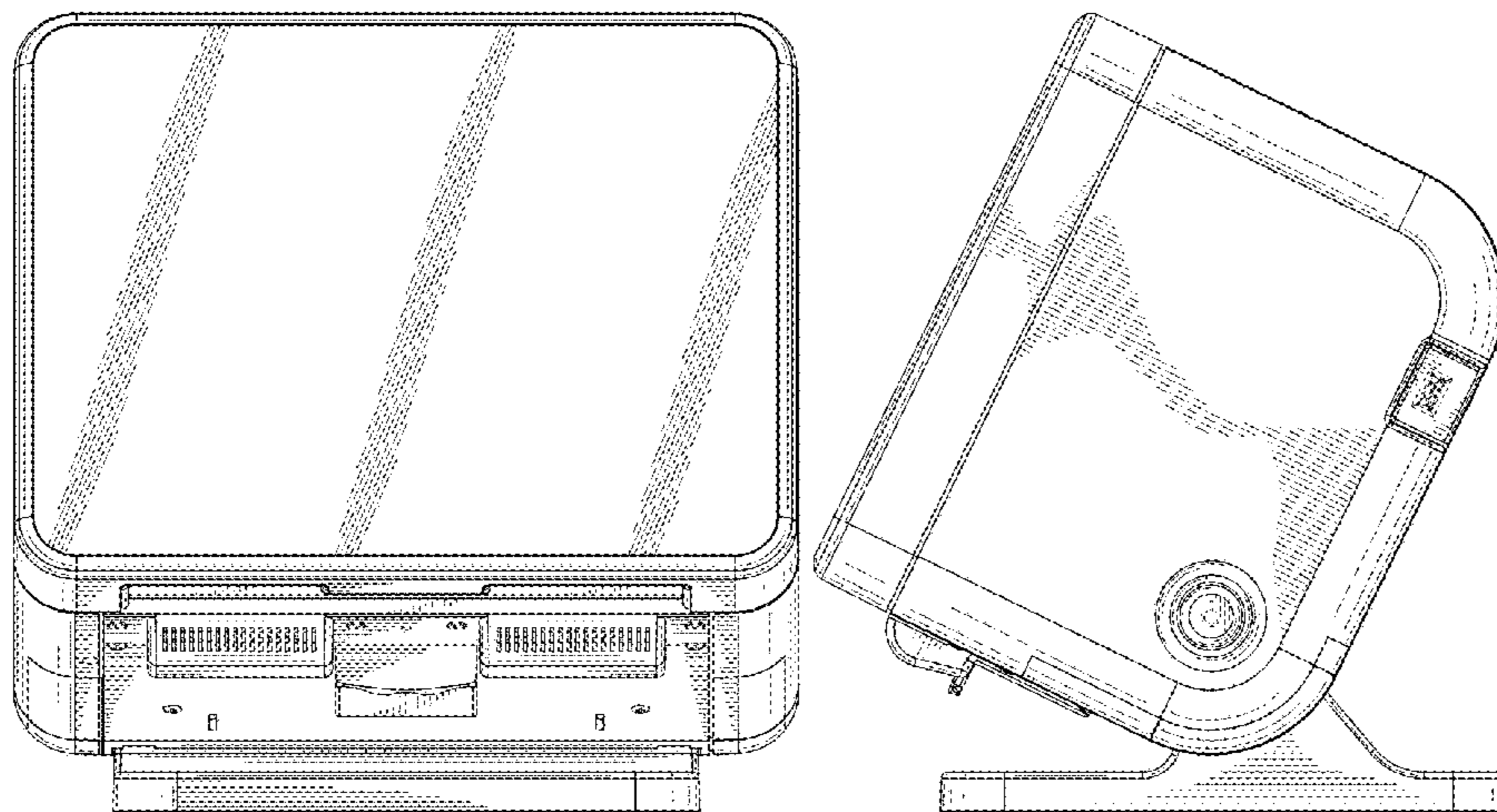


FIG. 16 is a front and right side perspective view of the terminal with the front panel in an open position;
 FIG. 17 is a front and left side perspective view of the terminal in the open position;
 FIG. 18 is a front elevation view of the terminal in the open position;
 FIG. 19 is a rear elevation view of the terminal in the open position;
 FIG. 20 is a right side elevation view of the terminal in the open position;
 FIG. 21 is a left side elevation view of the terminal in the open position;
 FIG. 22 is a top plan view of the terminal in the open position;
 FIG. 23 is a bottom plan view of the terminal in the open position; and,
 FIG. 24 is a front and right side perspective view of the terminal in the open position, shown with additional environment.

The broken lines immediately adjacent to the claimed areas depict the bounds of the claimed design, while all other broken lines are directed to environment. The broken lines form no part of the claimed design.

1 Claim, 24 Drawing Sheets

(58) **Field of Classification Search**

CPC G06F 1/1601; G06F 1/1605; G06F 1/162;
 G06Q 20/20; G07F 17/32; G07F 17/34;
 G07F 17/3211; G07F 17/3216; G07F
 17/3218; G07F 17/3223; G07F 17/3244;
 G07F 17/3267; A63F 9/00; A63F 9/24;
 A63F 1/00; A63F 3/00

See application file for complete search history.

(56)

References Cited

U.S. PATENT DOCUMENTS

D587,296	S	*	2/2009	Kuramochi	D18/4.5
D614,617	S	*	4/2010	Pepper	D14/336
D640,254	S	*	6/2011	Pepper	D14/336
D658,227	S	*	4/2012	Schoenert	D18/19
D680,108	S	*	4/2013	Kumagai	D14/336
D721,371	S	*	1/2015	Rivera	D14/420
D725,182	S	*	3/2015	Haller	D18/4.4
D755,783	S	*	5/2016	Shi	D14/336
D782,466	S	*	3/2017	Yepez	D14/307
D816,662	S	*	5/2018	Haller	D14/336
D883,373	S	*	5/2020	Sorio	D18/4.4

OTHER PUBLICATIONS

Transact. Link: <https://www.transact-tech.com/m/restaurant-solutions/boha/boha-terminal/>. Visited Nov. 5, 2020. BOHA! Terminal. (Year: 2020).*

Transact Technologies Incorporated; AccuDate 9700 by TransAct Food Safety Terminal Quick Start Guide; 4 pages; date unknown; [admitted prior art].

Dymo; LabelWriter 450 Twin Turbo brochure; 1 page; date unknown; [admitted prior art].

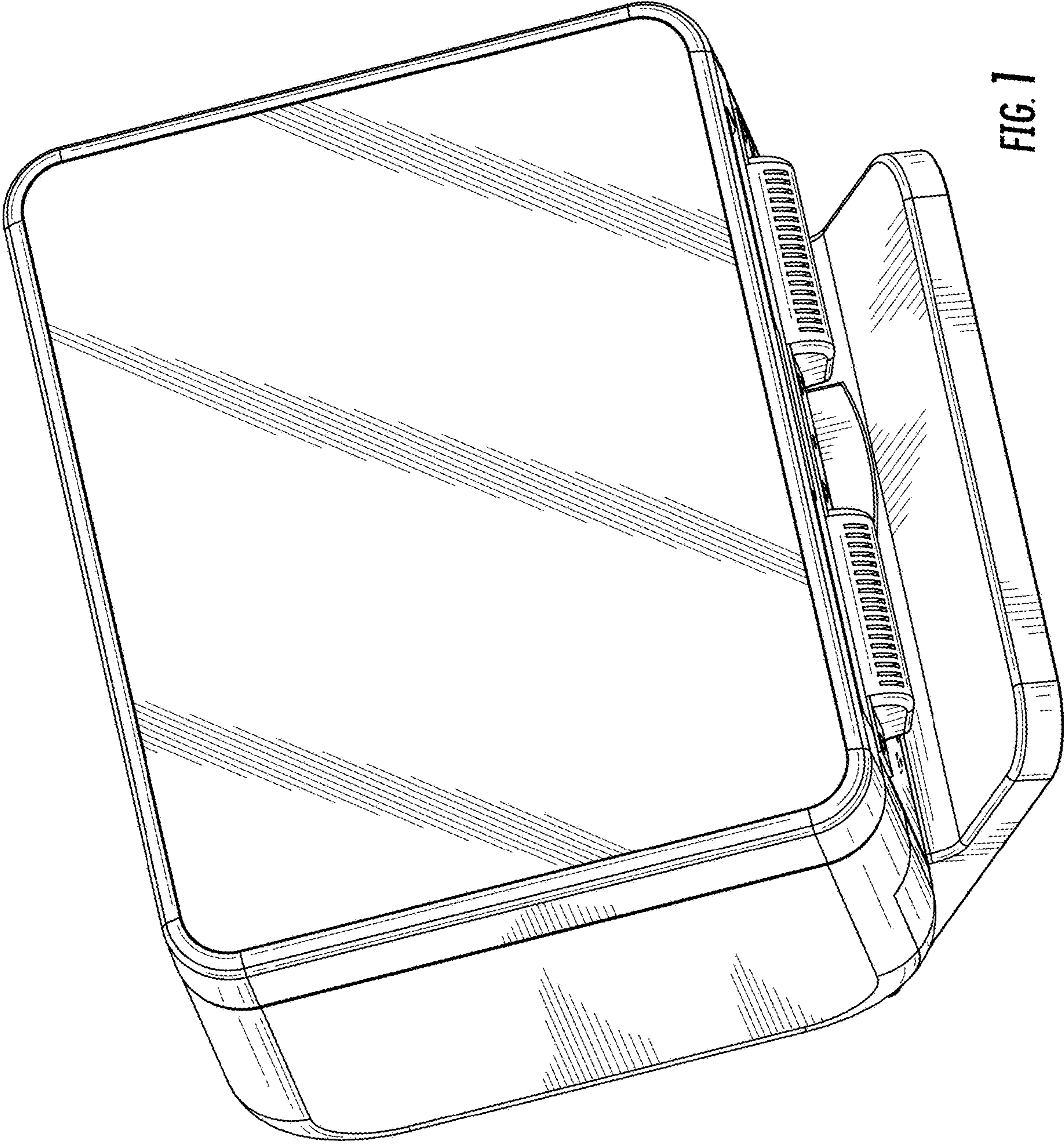
Avery Dennison Corporation; Avery Dennison Monarch FreshMarx 9417+ Solution brochure; 2 pages; 2017.

Transact Technologies Incorporated; AccuDate XL by TransAct, Quick Start Guide; 20 pages; 2017.

Transact Technologies Incorporated; ithaca 9800 by TransAct, Food Safety Terminal Quick Start Guide; 41 pages; Aug. 2014.

Transact Technologies Incorporated; AccuDate Pro; <URL: "https://www.transact-tech.com/m/restaurant-solutions/accudate-pro/">, retrieved on Nov. 8, 2019; 4 pages; [admitted prior art].

* cited by examiner





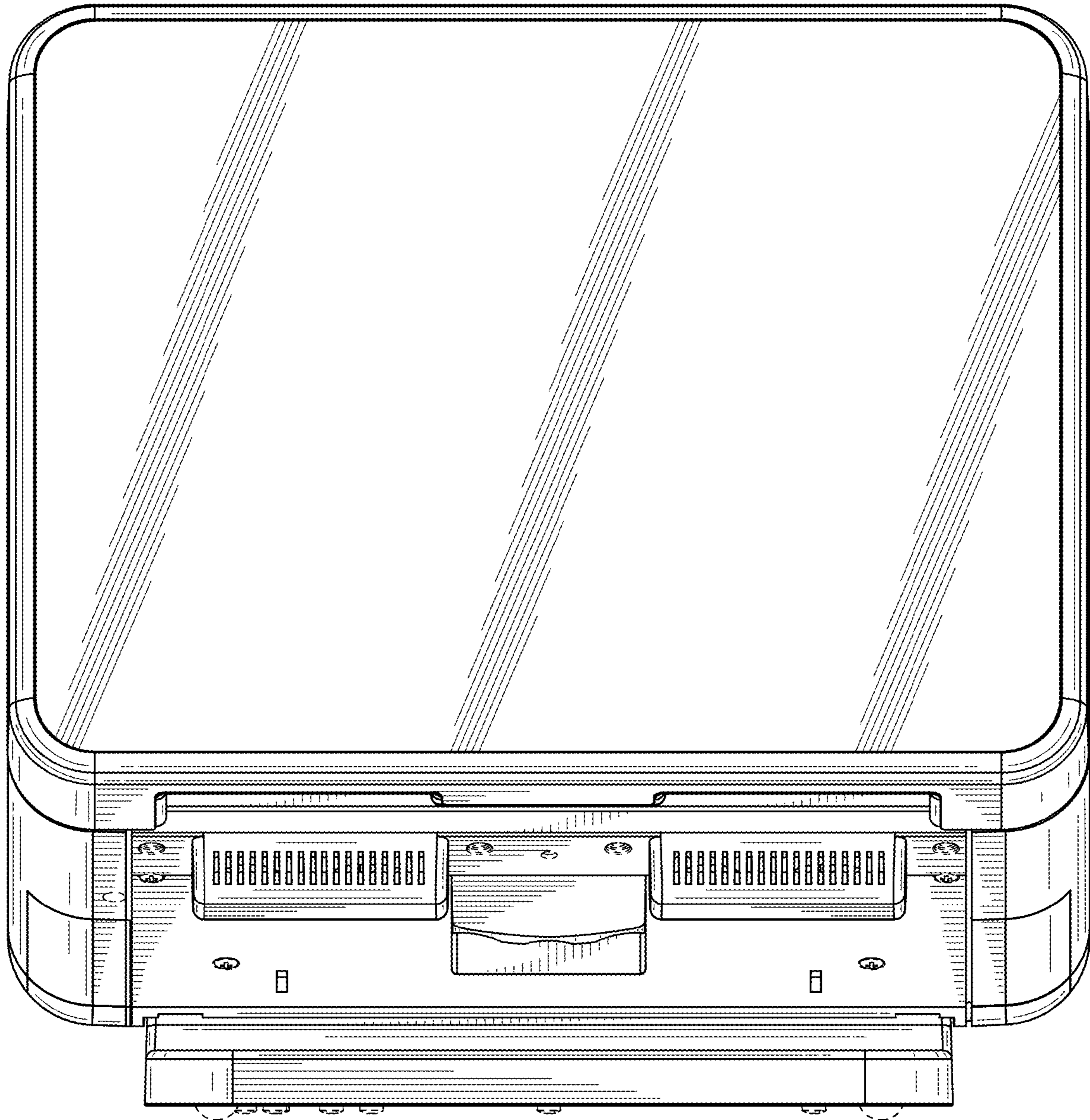


FIG. 3

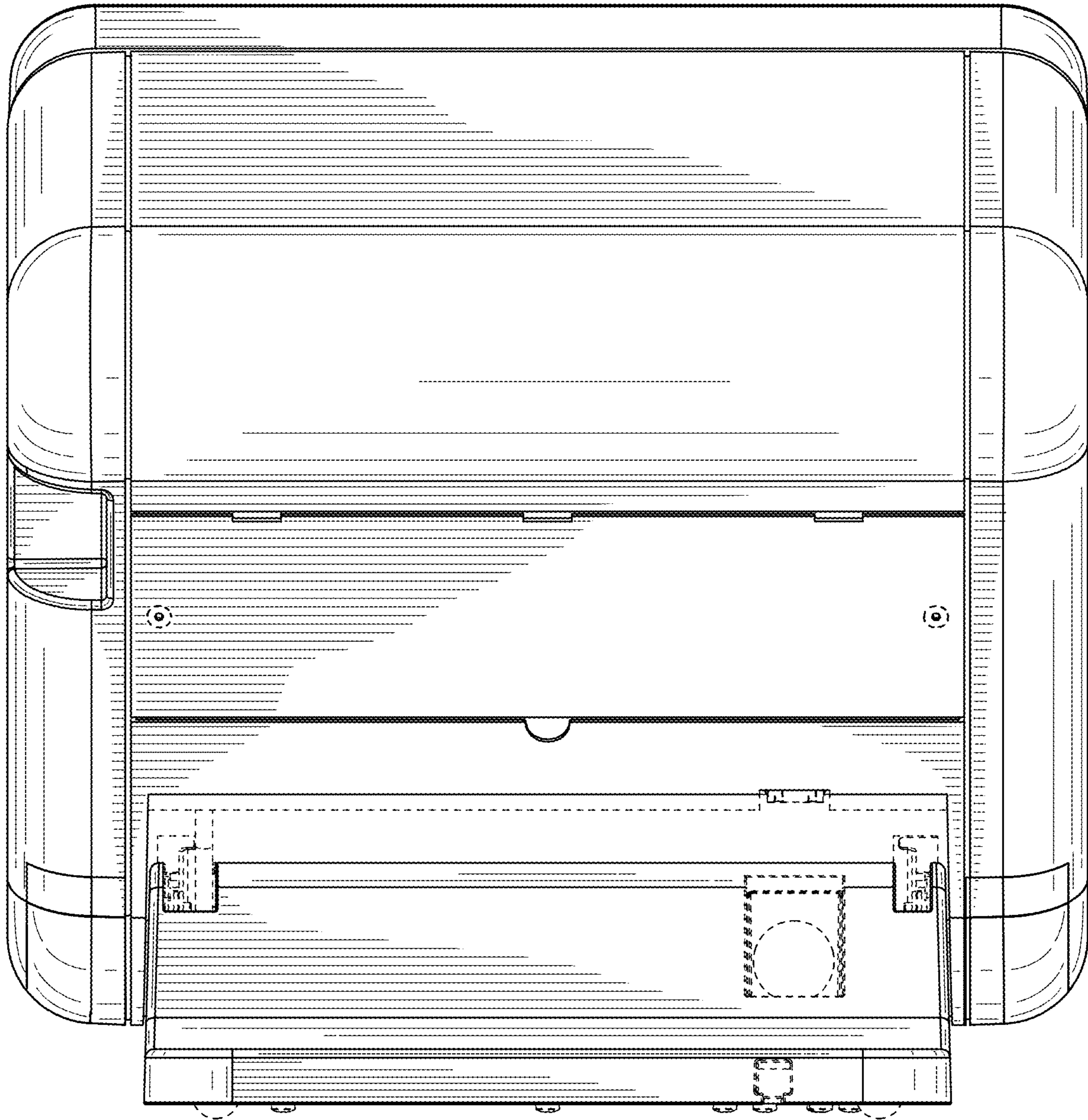


FIG. 4

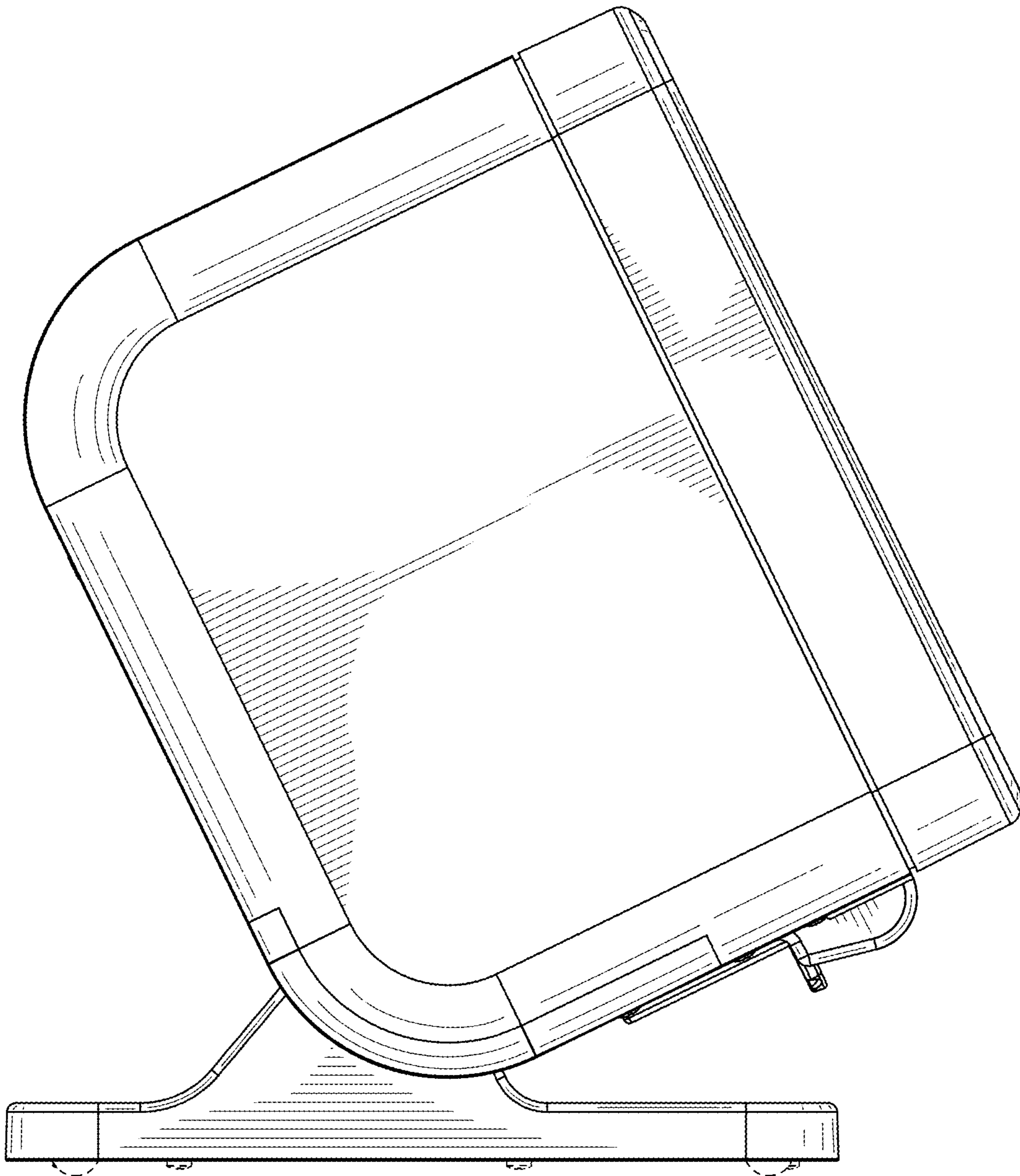


FIG. 5

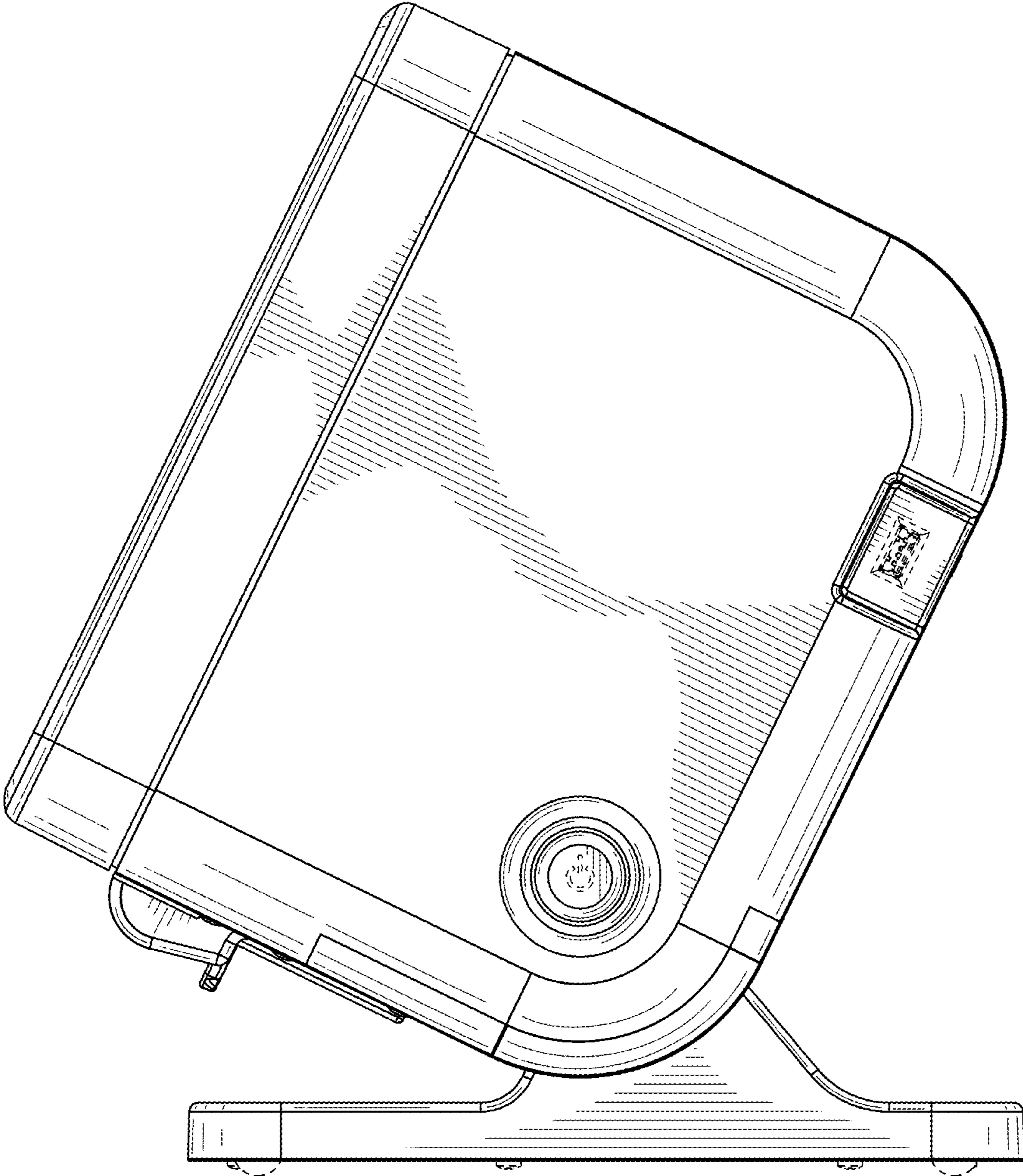


FIG. 6

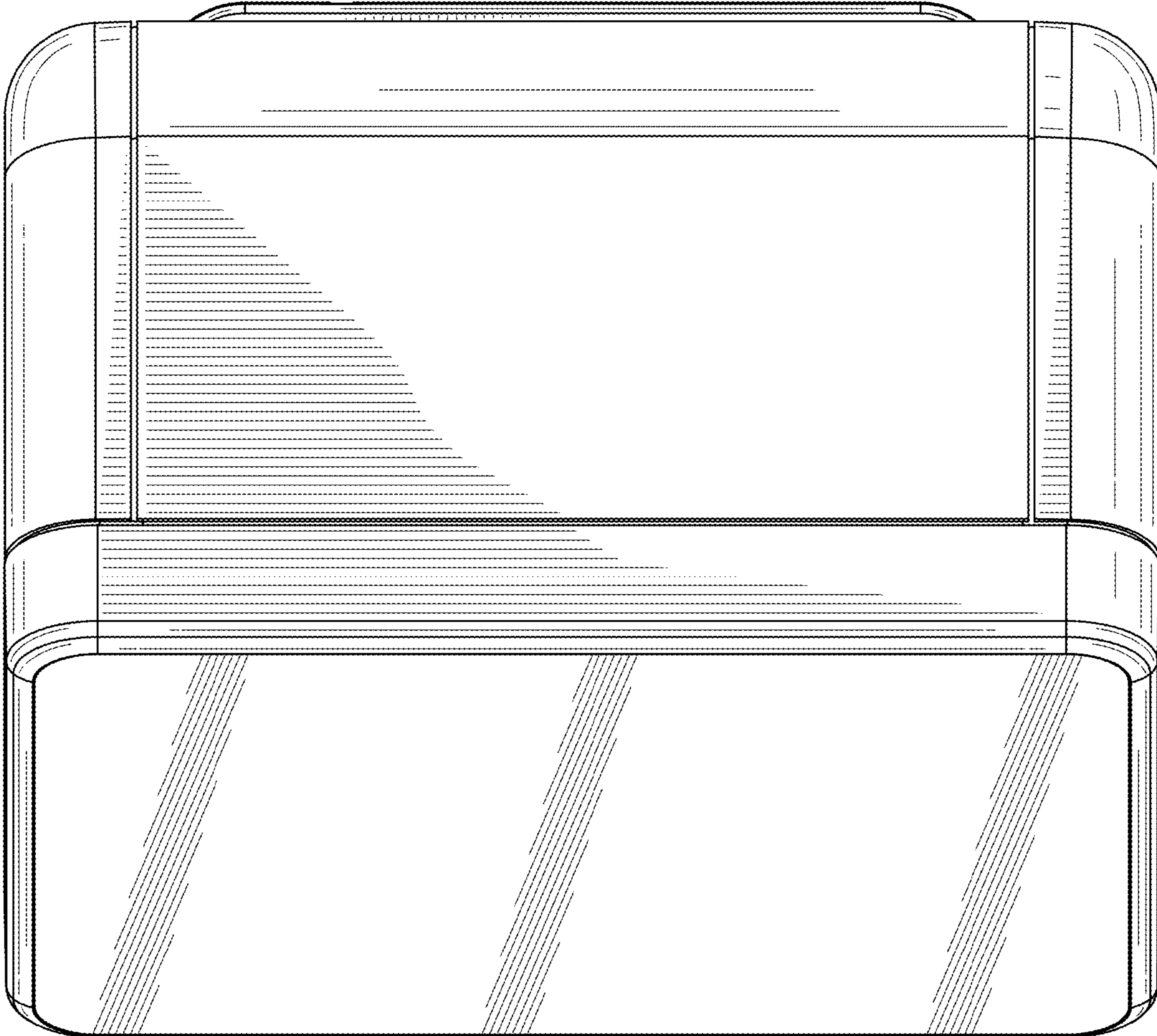


FIG. 7

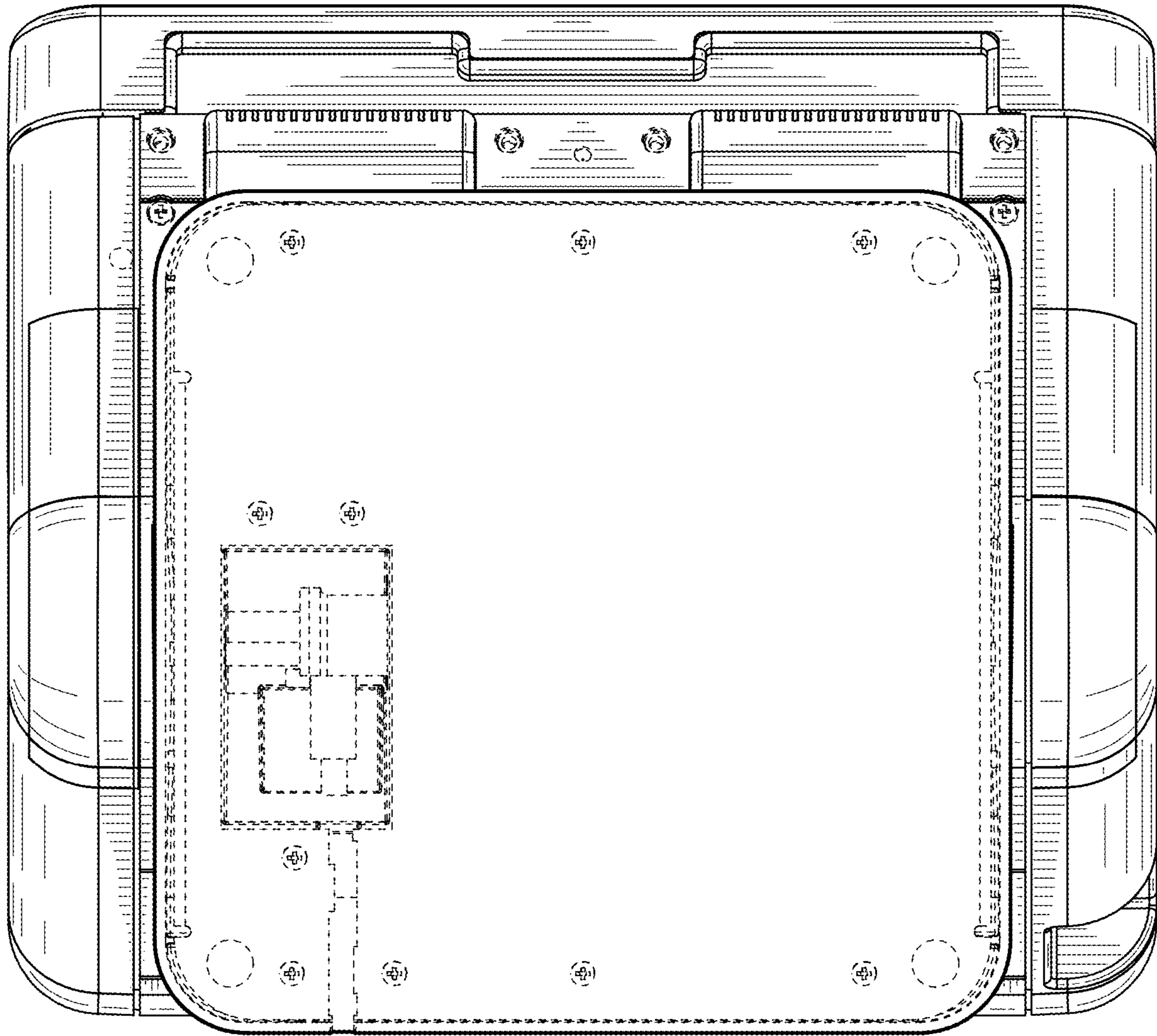


FIG. 8

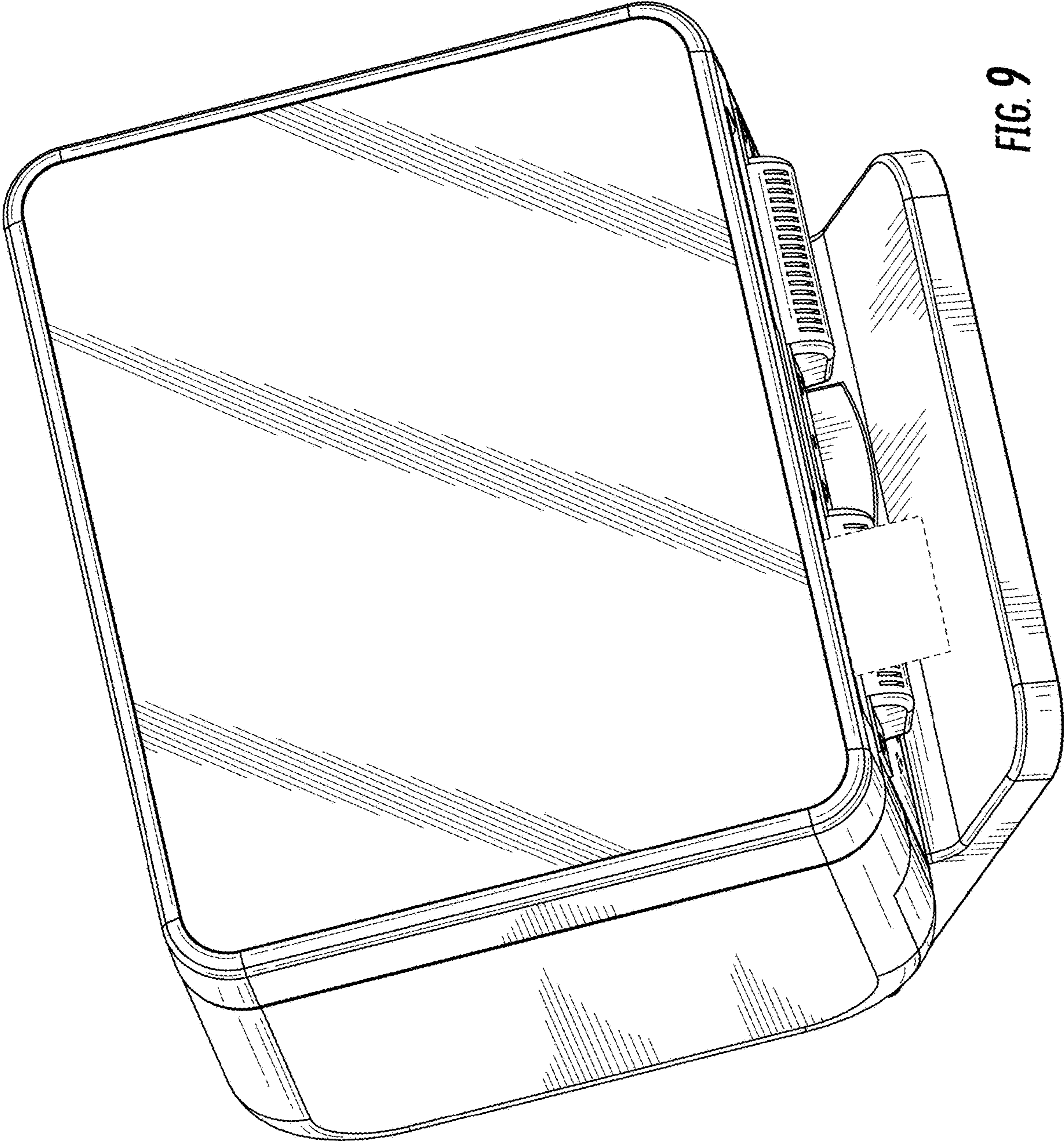
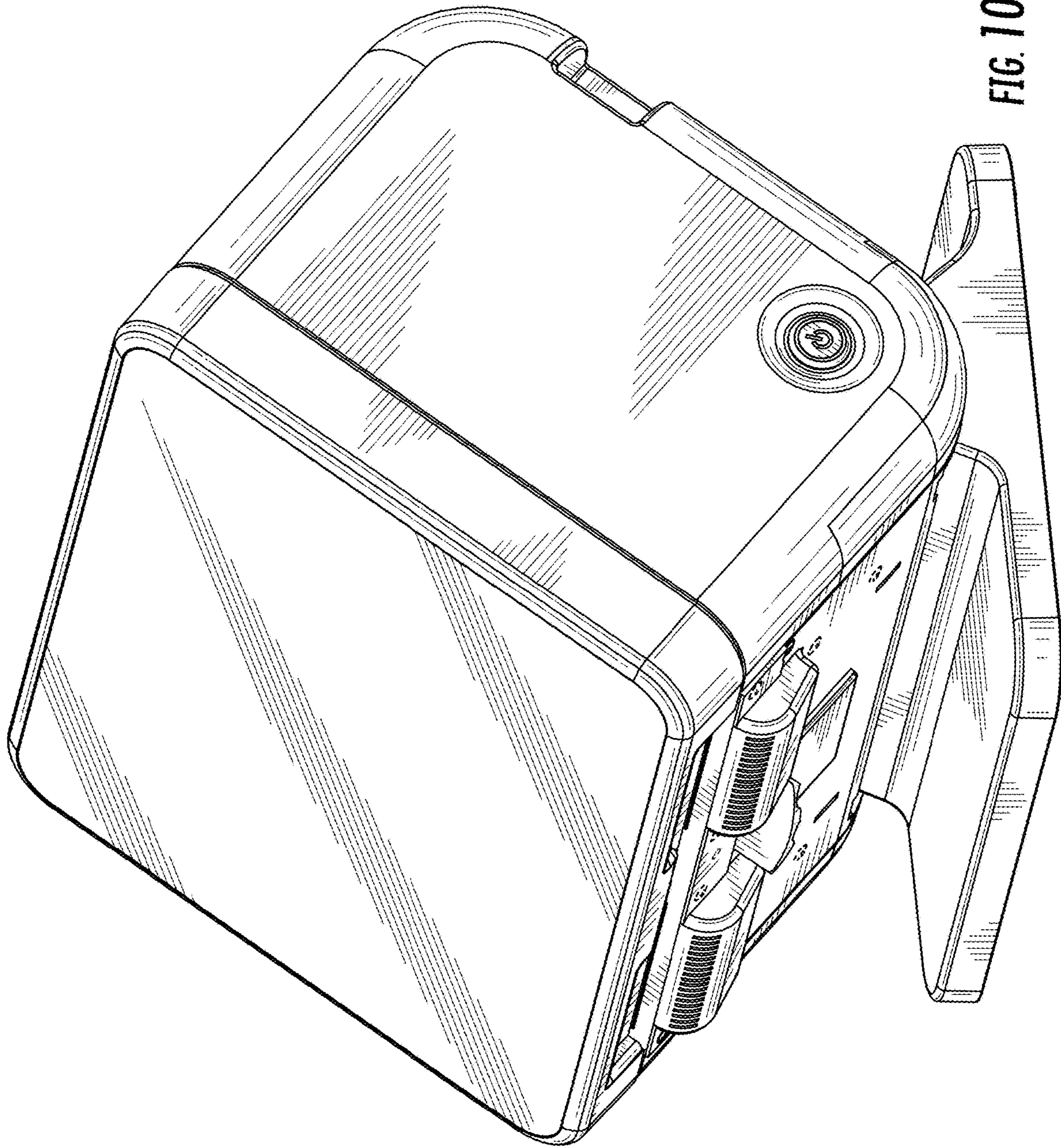


FIG. 9



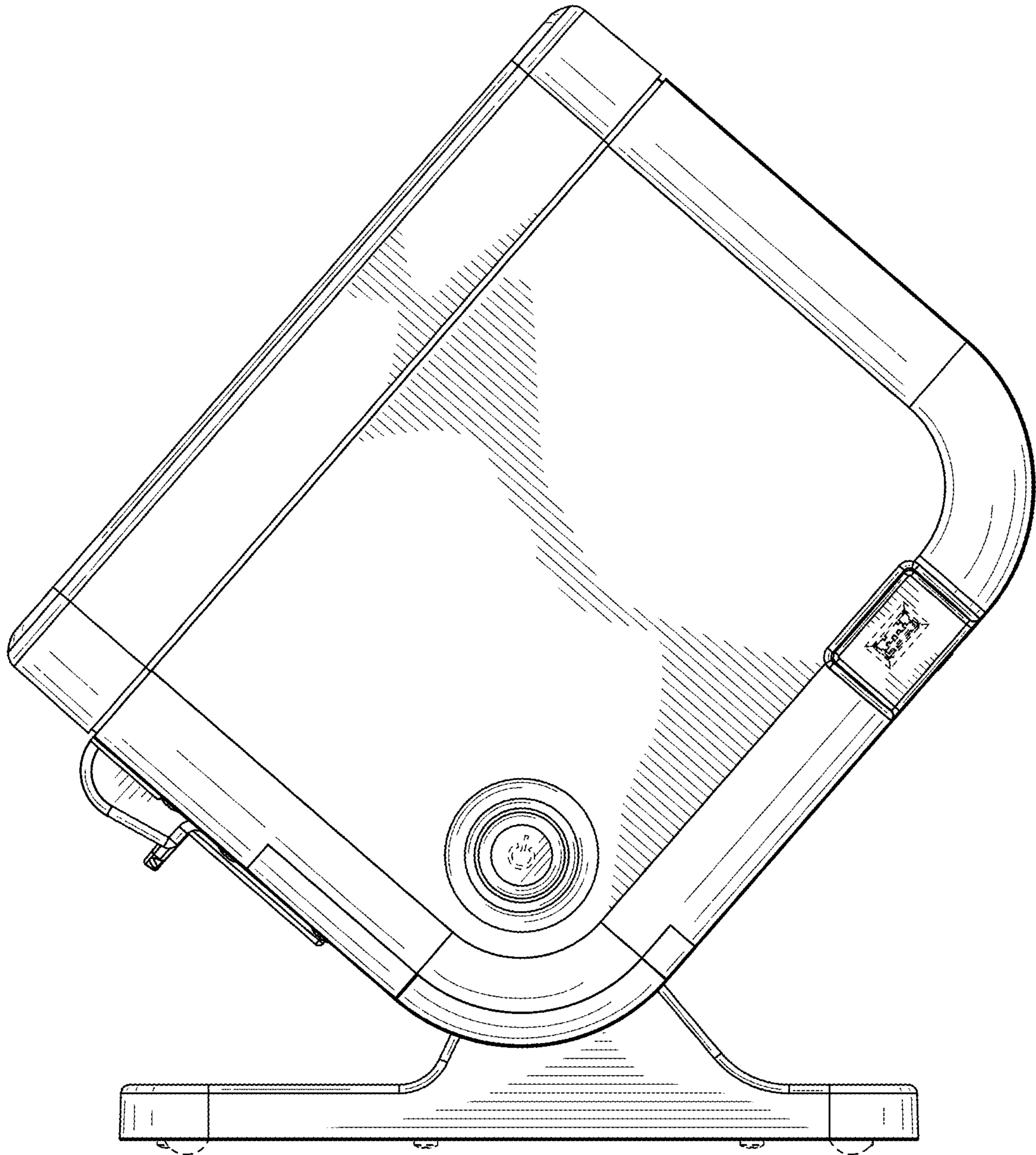


FIG. 11

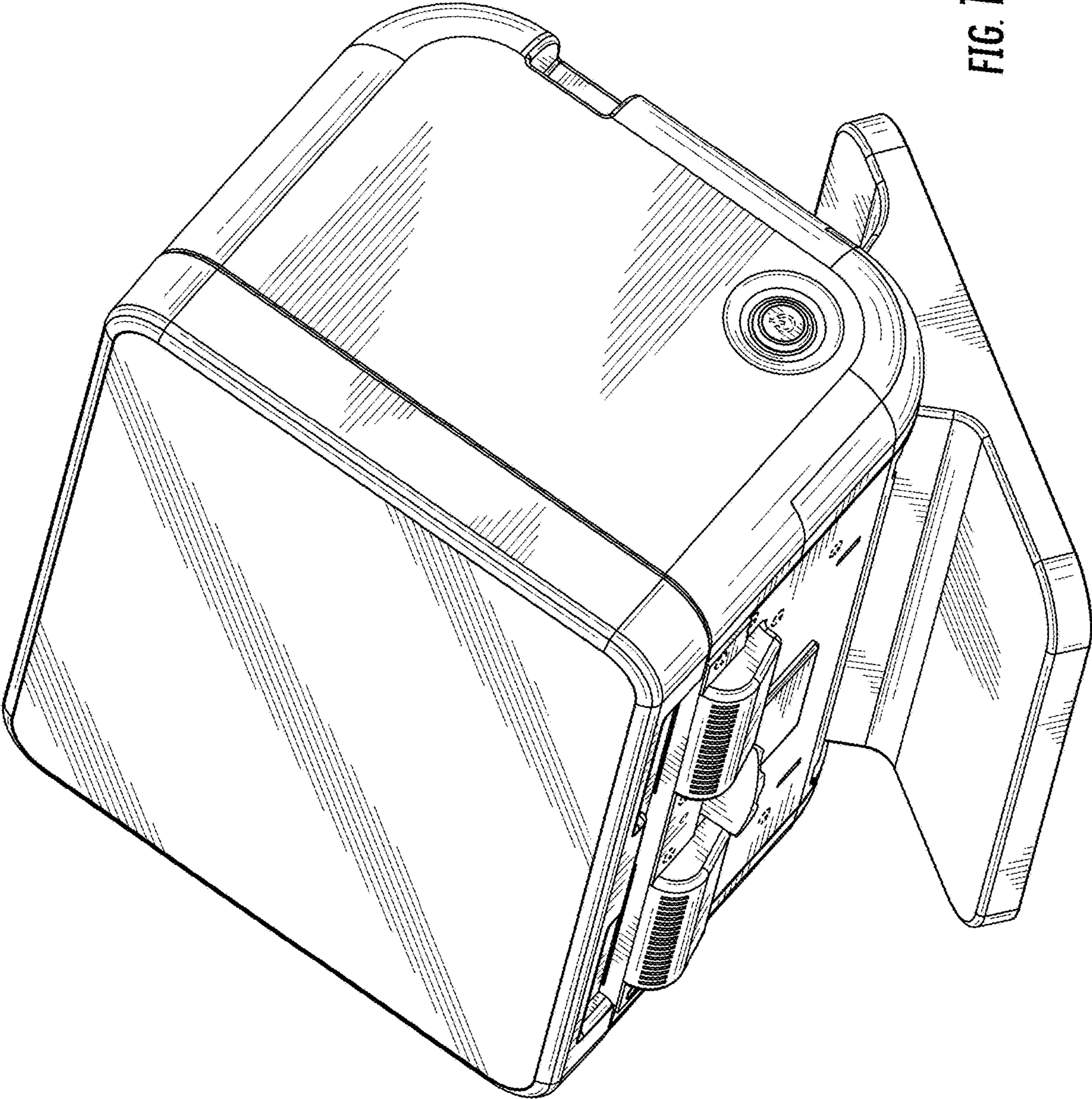


FIG. 12

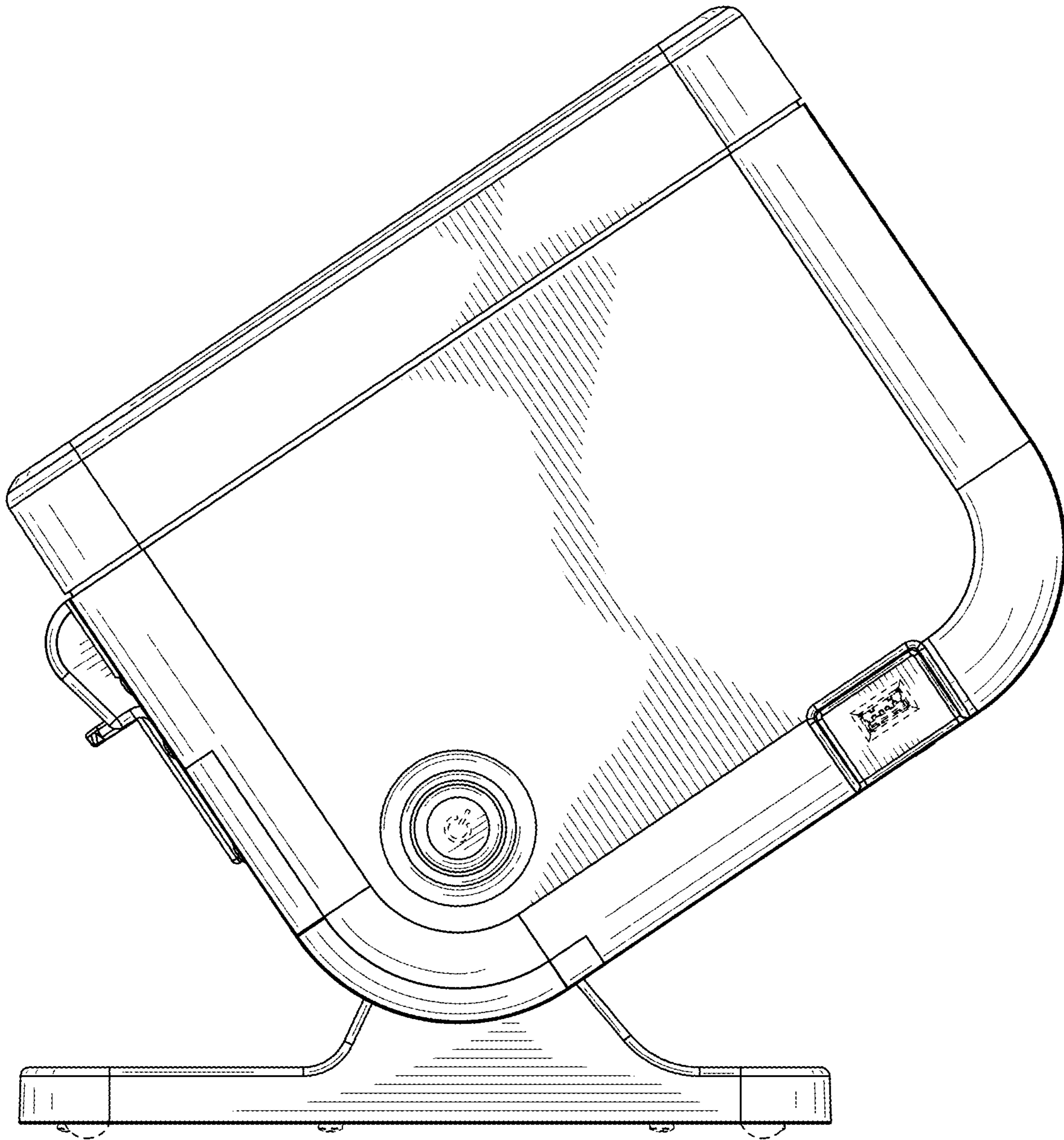


FIG. 13

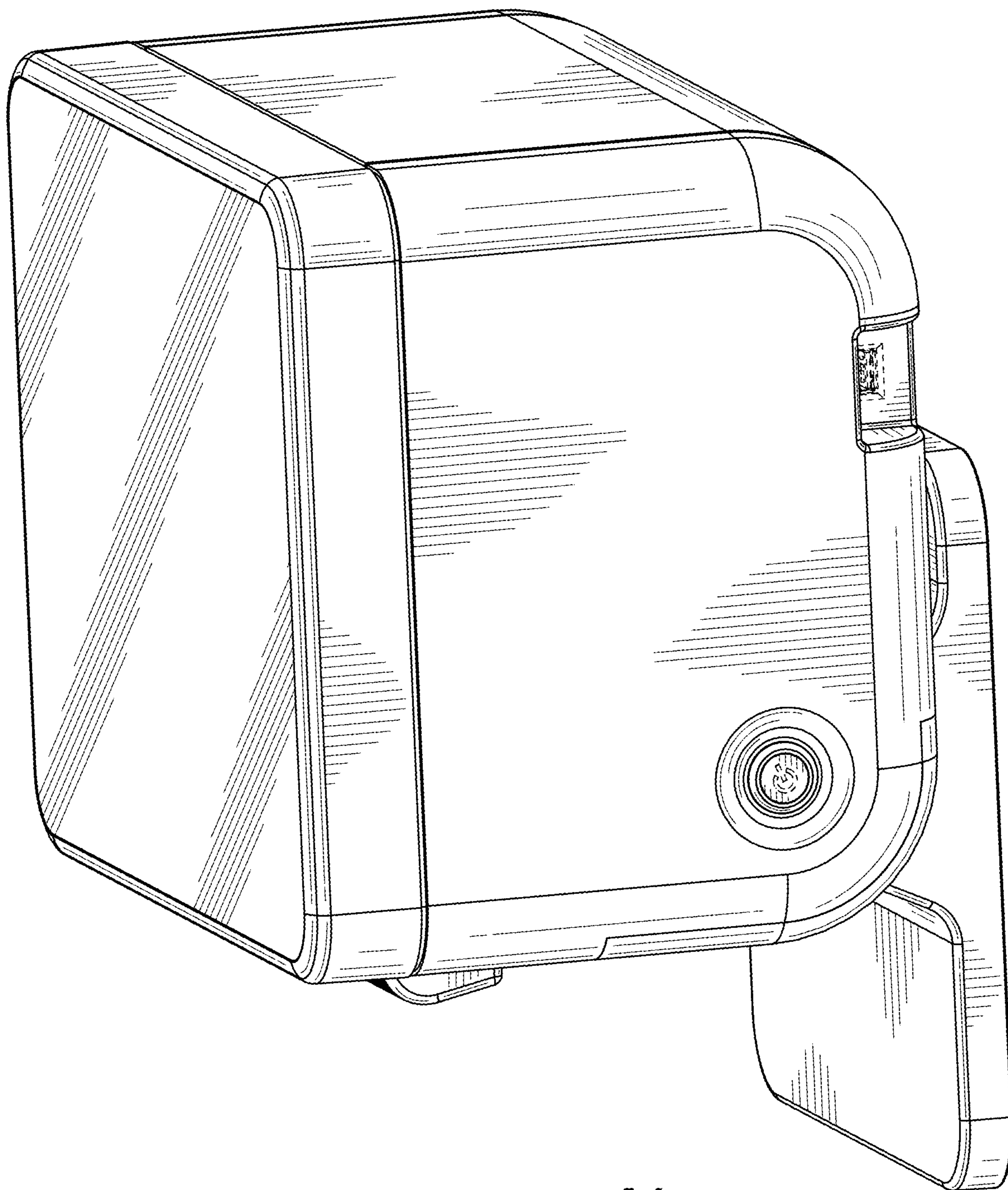


FIG. 14

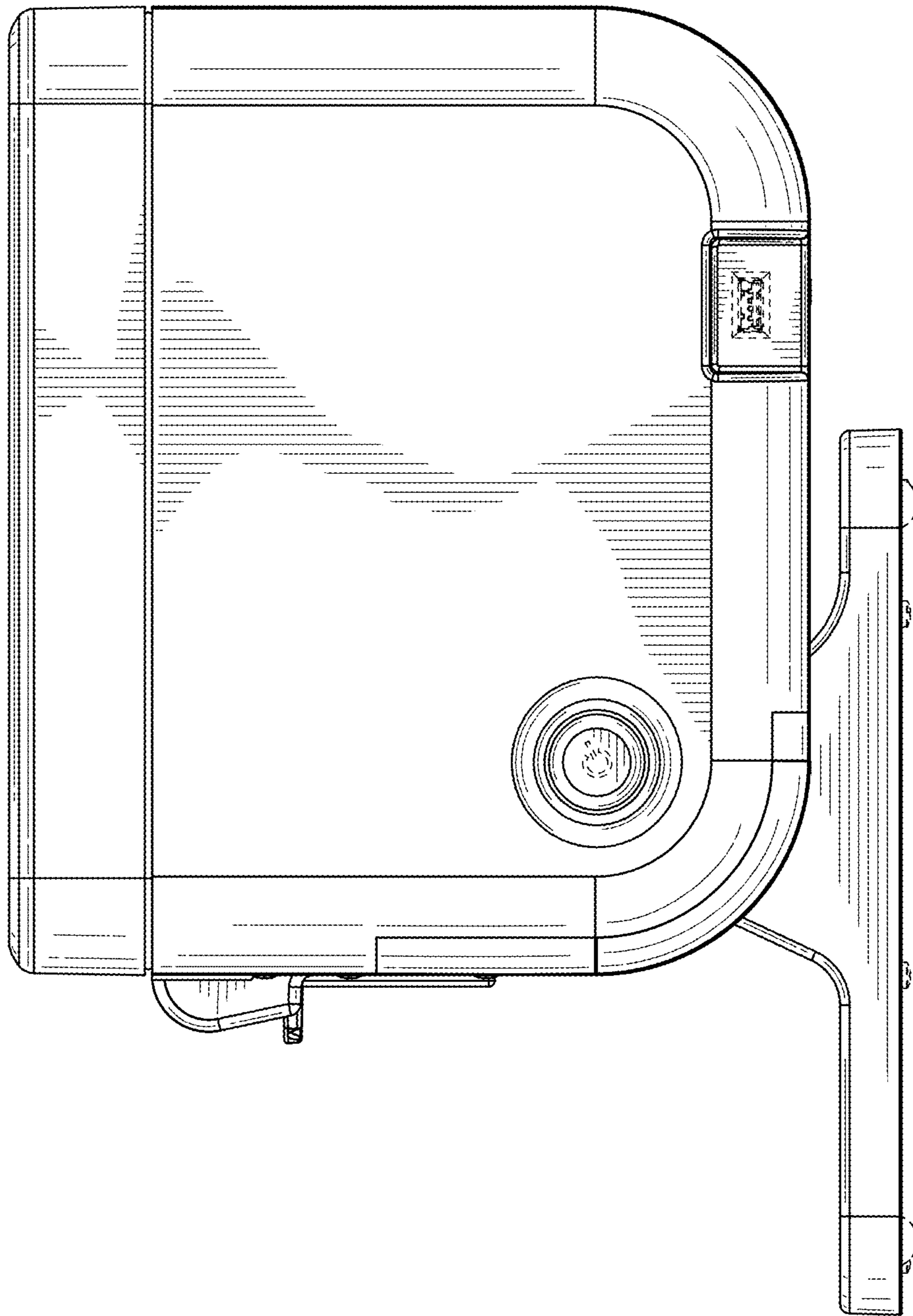


FIG. 15

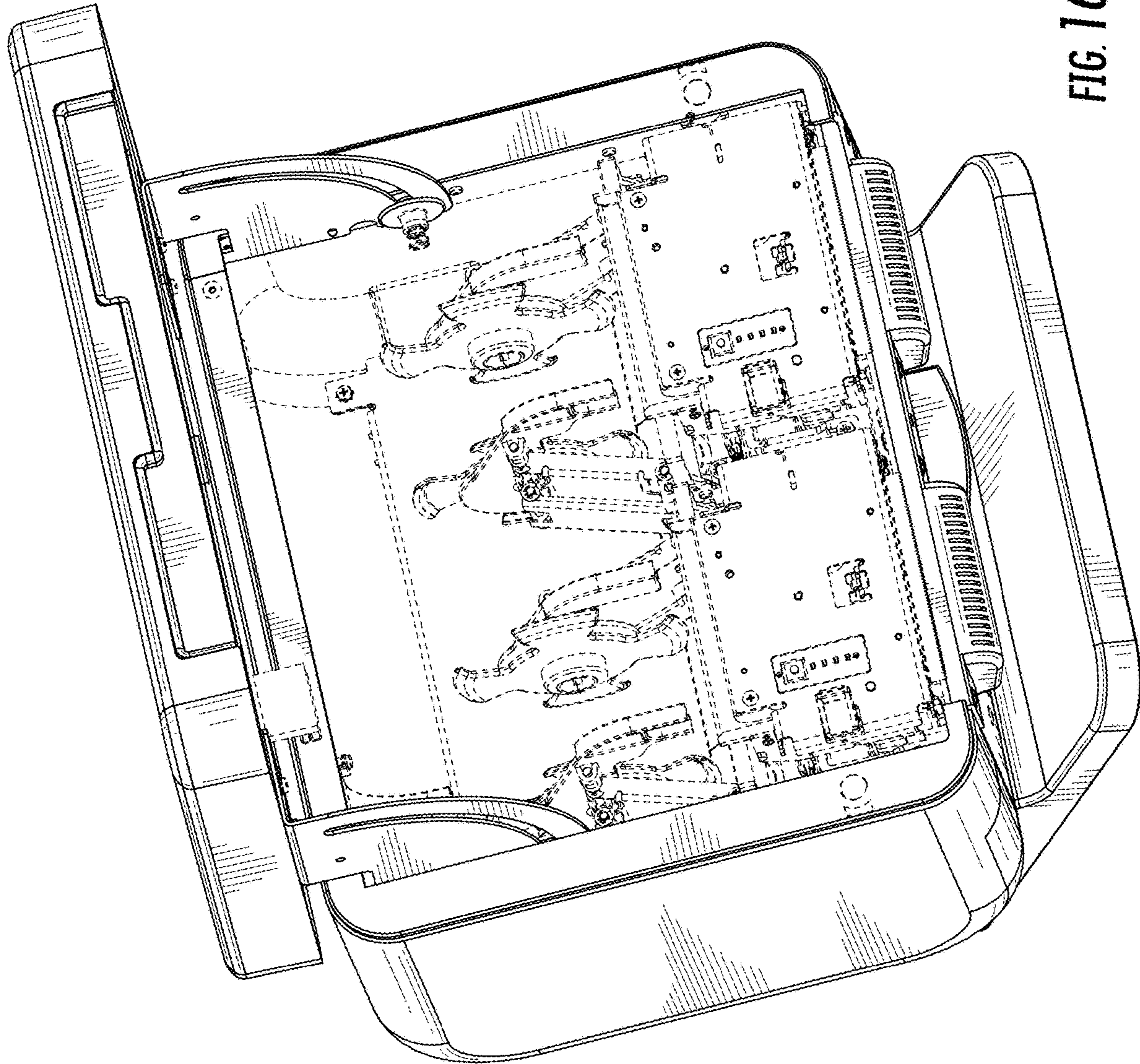


FIG. 16

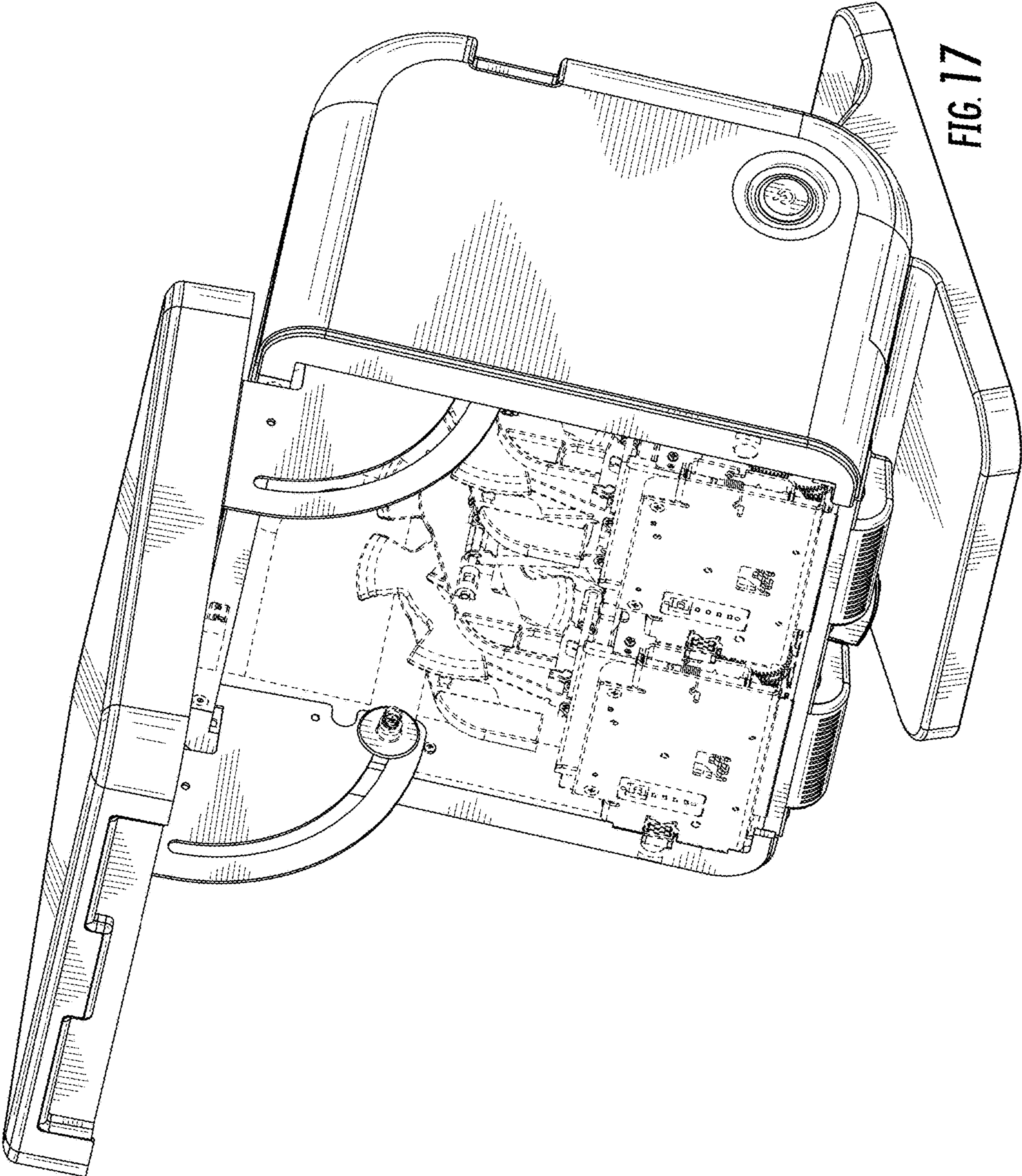


FIG. 17

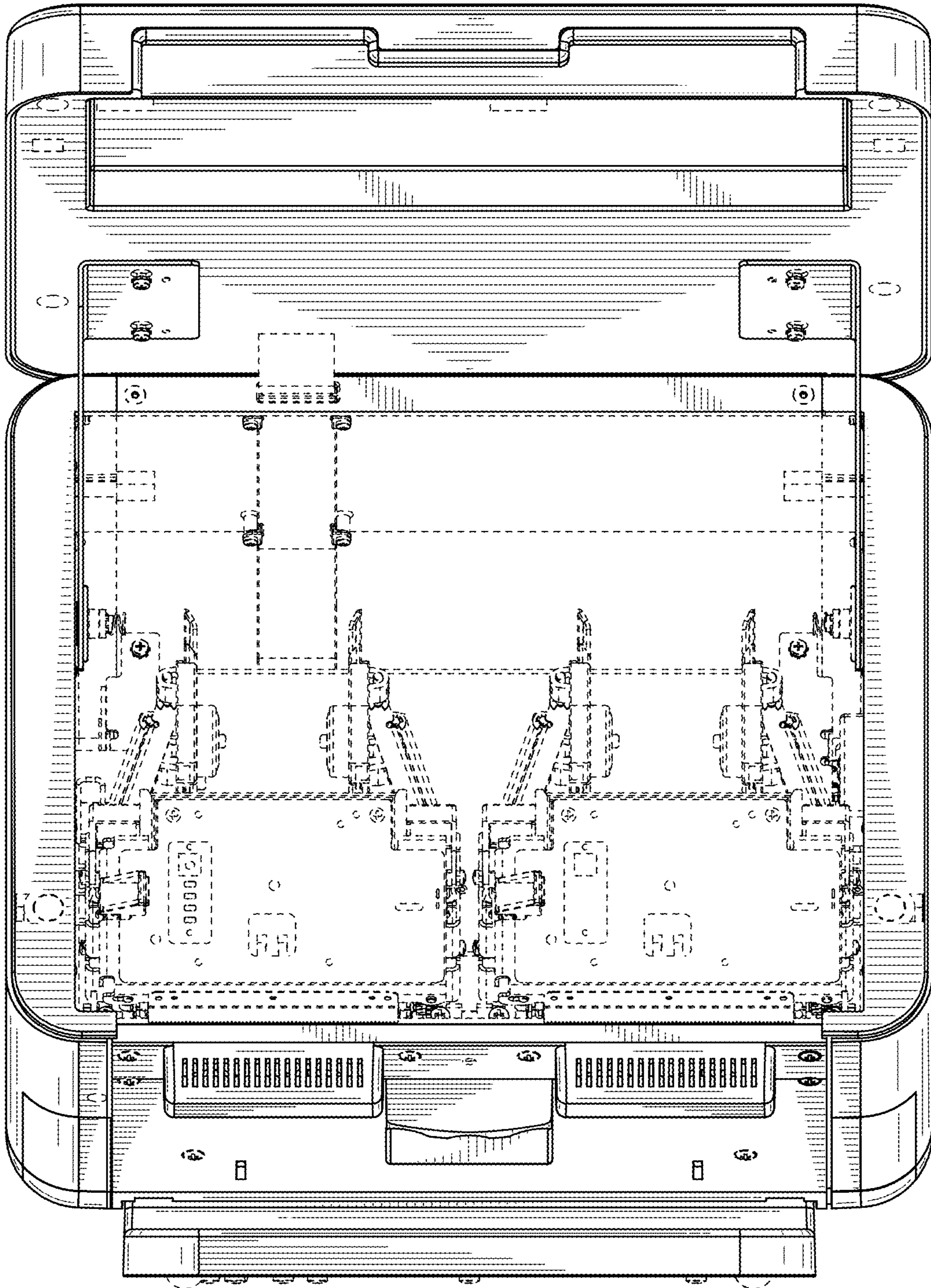


FIG. 18

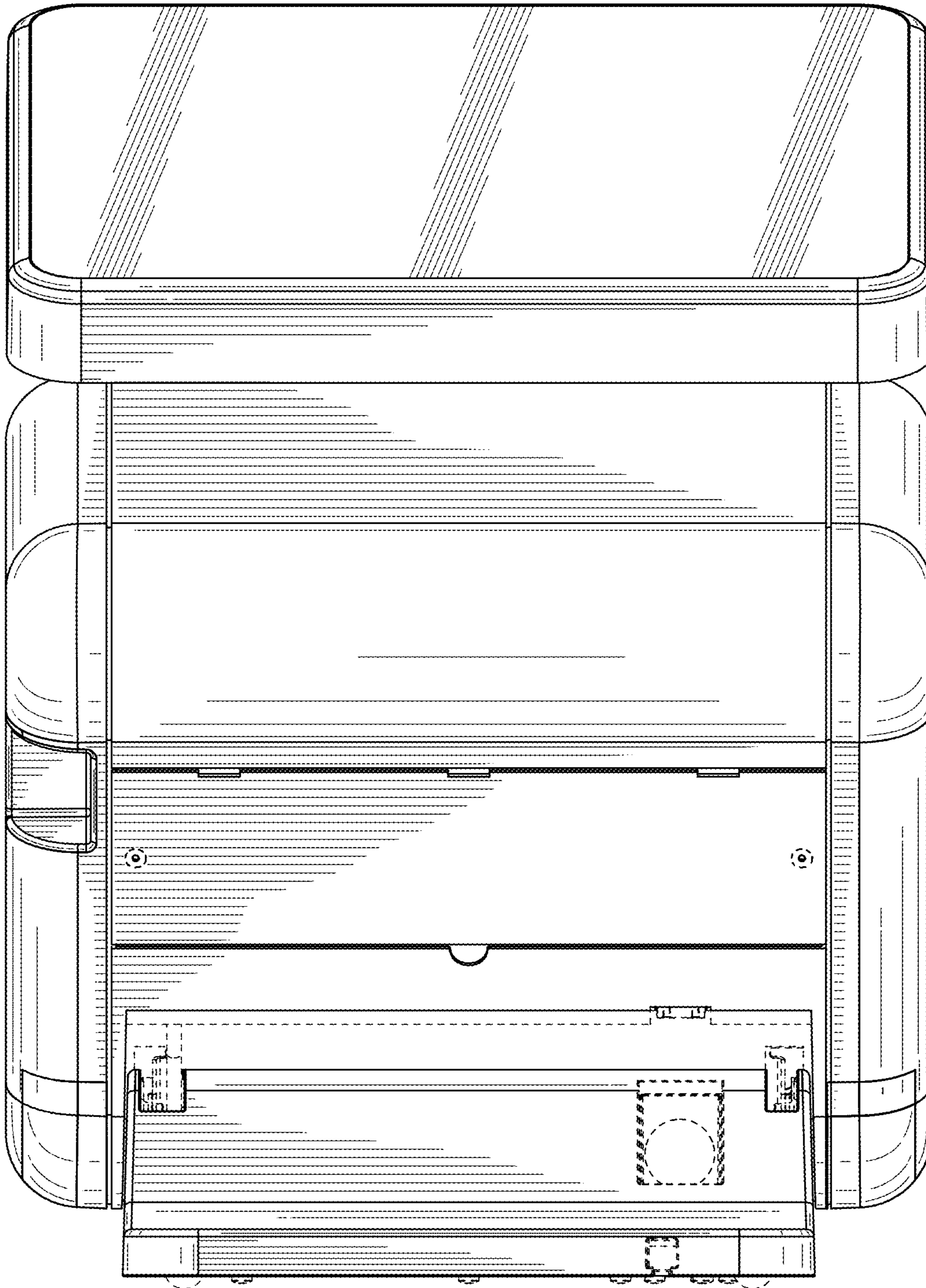


FIG. 19

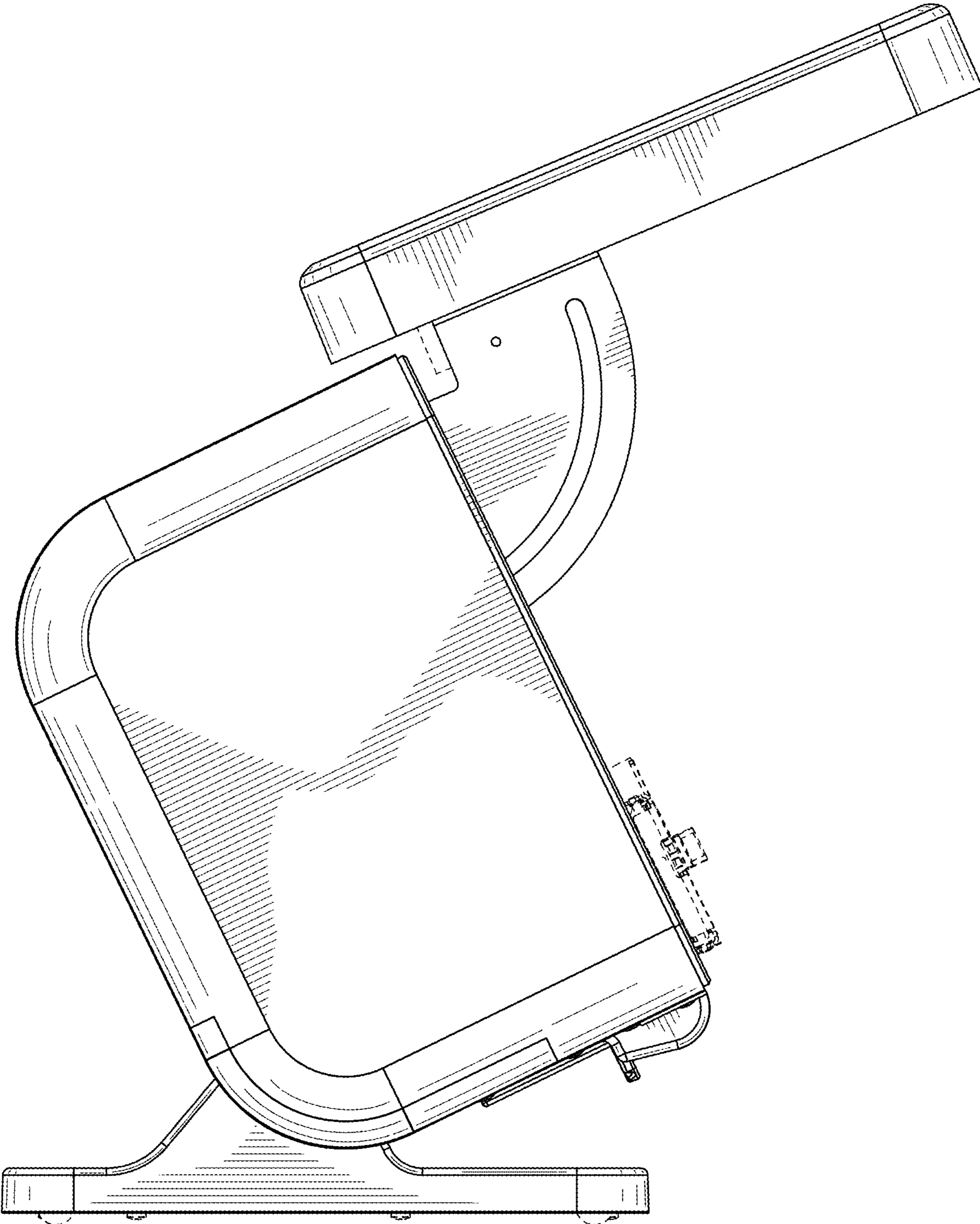


FIG. 20

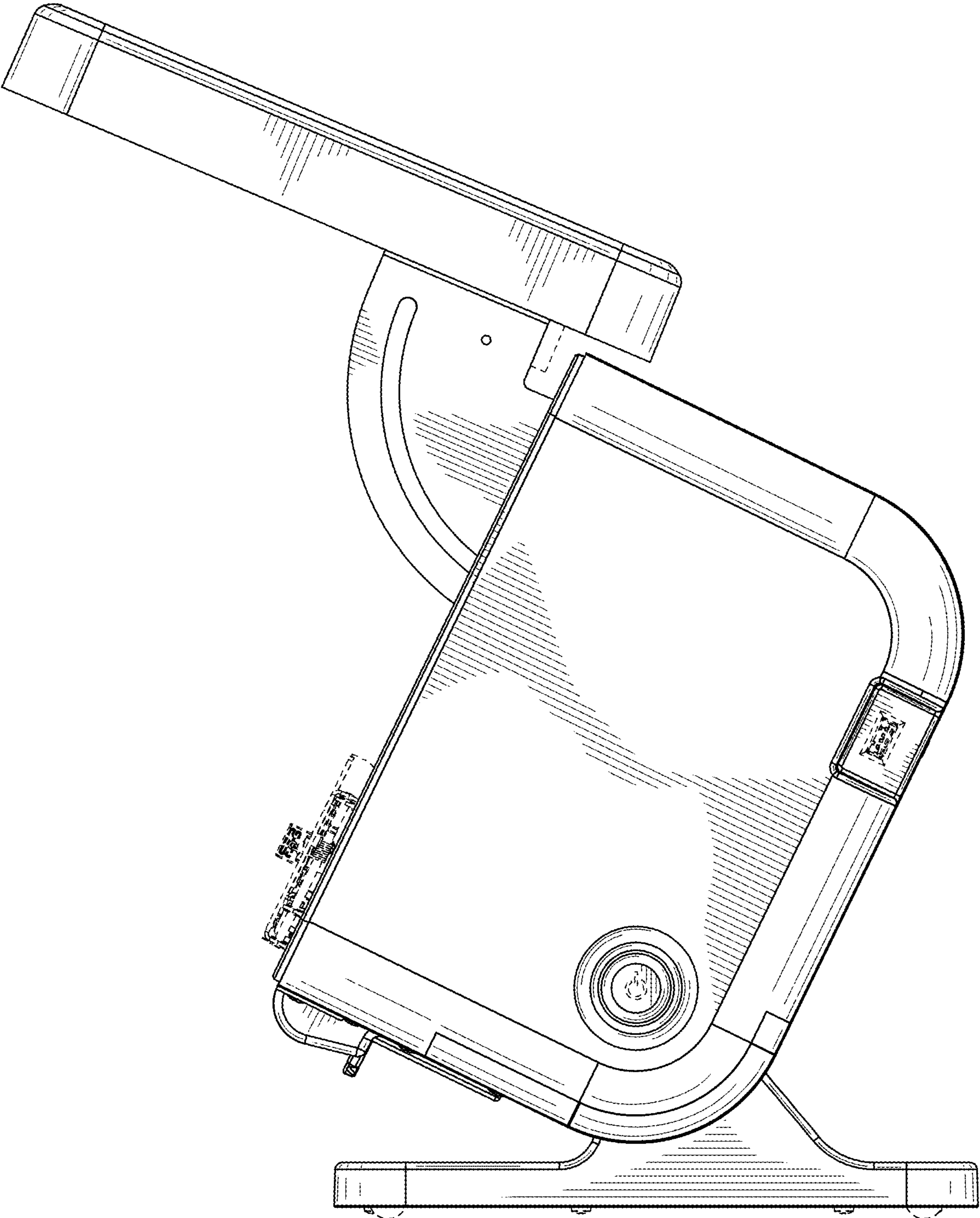


FIG. 21

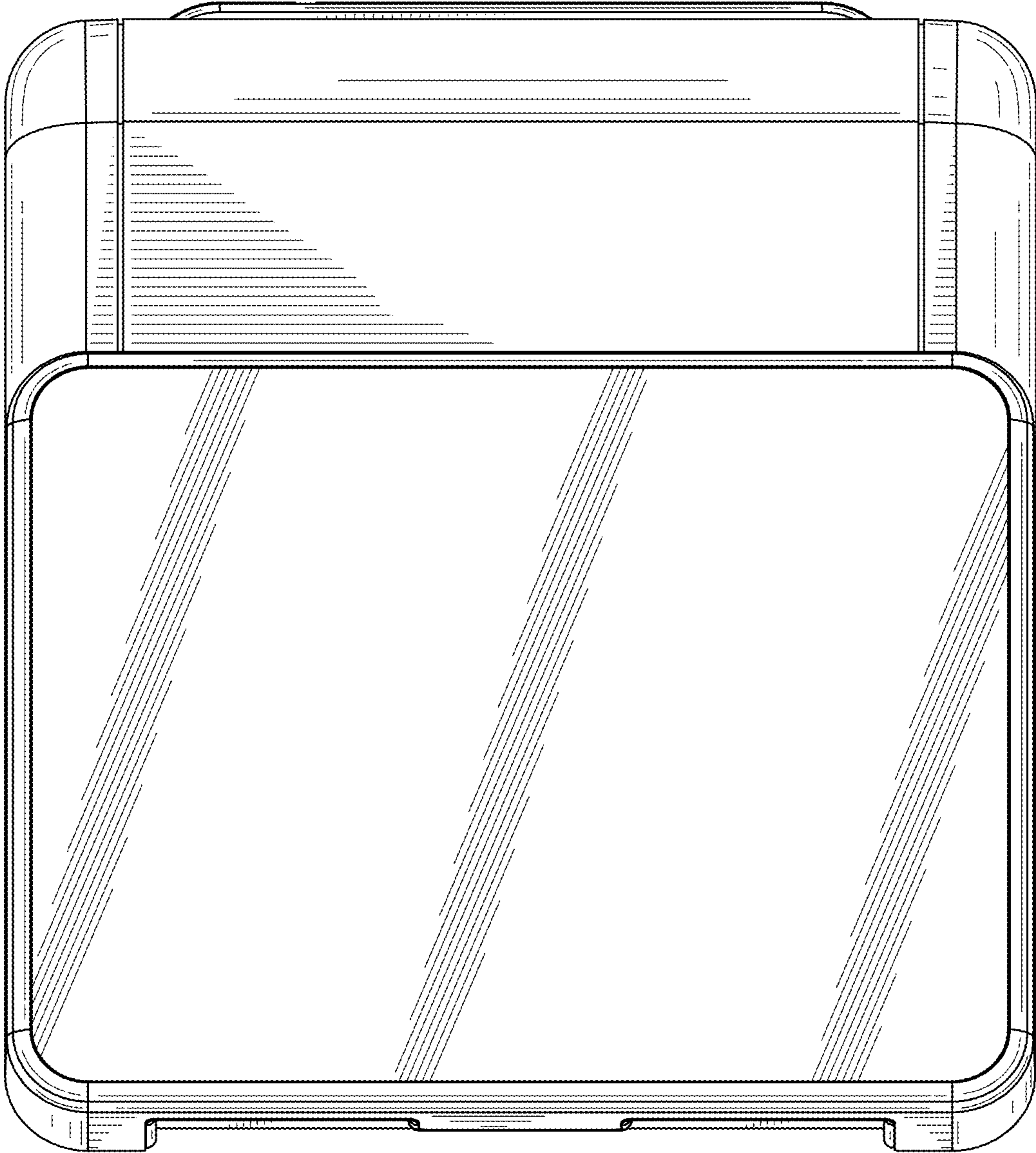


FIG. 22

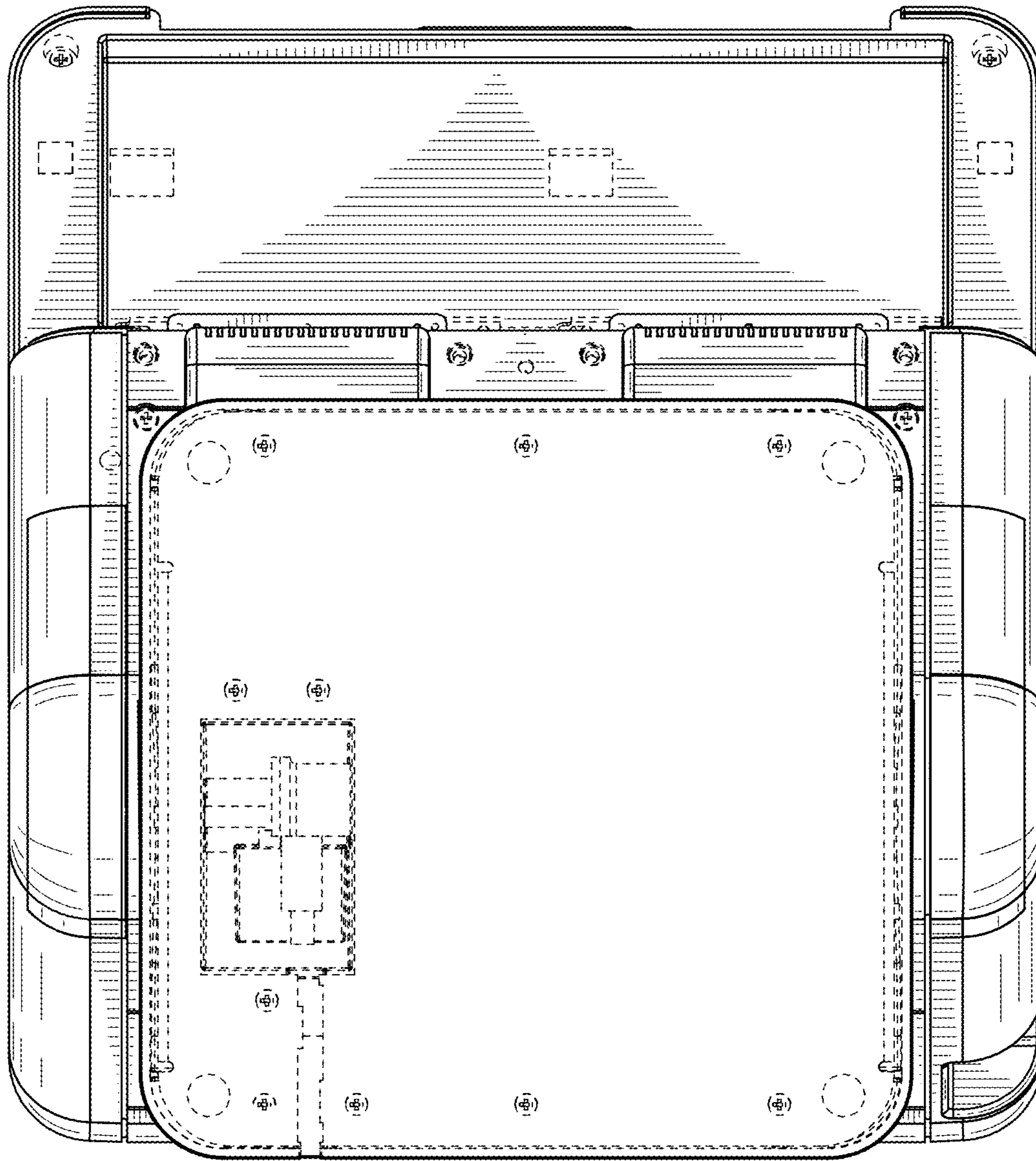


FIG. 23

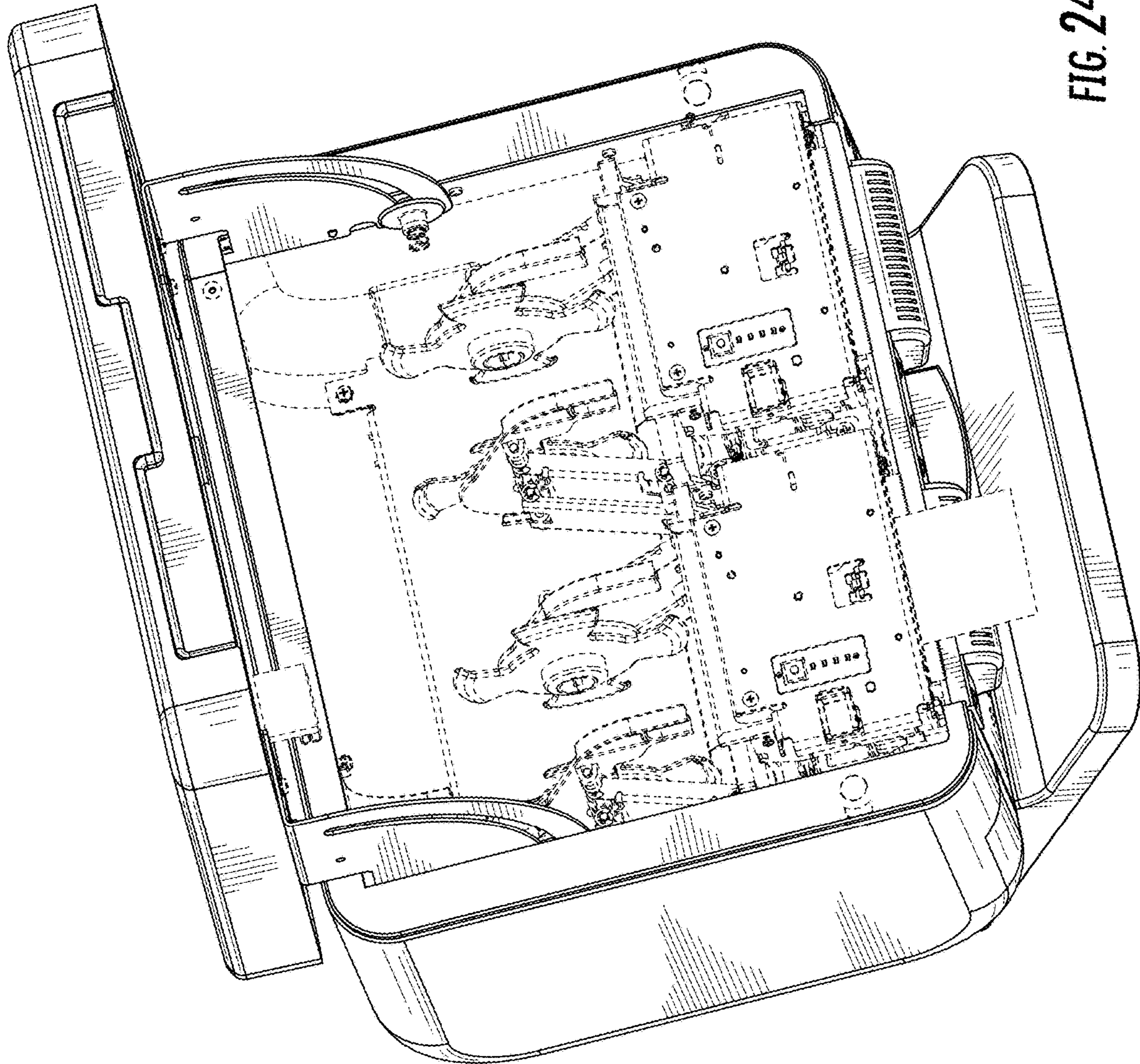


FIG. 24