



US00D912042S

(12) **United States Design Patent**  
**Yeh et al.**

(10) **Patent No.:** **US D912,042 S**  
(45) **Date of Patent:** **\*\* Mar. 2, 2021**

(54) **NOTEBOOK COMPUTER**

(71) Applicants: **Hsin Yeh**, Taipei (TW); **Jyh-Chyang Tzou**, Taipei (TW); **Han-Tsai Liu**, Taipei (TW); **Pai-Feng Chen**, Taipei (TW); **Yi-Hsun Liu**, Taipei (TW)

(72) Inventors: **Hsin Yeh**, Taipei (TW); **Jyh-Chyang Tzou**, Taipei (TW); **Han-Tsai Liu**, Taipei (TW); **Pai-Feng Chen**, Taipei (TW); **Yi-Hsun Liu**, Taipei (TW)

(73) Assignee: **COMPAL ELECTRONICS, INC.**, Taipei (TW)

(\*\*) Term: **15 Years**

(21) Appl. No.: **29/662,125**

(22) Filed: **Sep. 3, 2018**

(51) **LOC (13) Cl.** ..... **14-02**

(52) **U.S. Cl.**  
USPC ..... **D14/327; D14/390**

(58) **Field of Classification Search**  
USPC ..... D14/315-327, 336, 380, 397-398, 417, D14/440, 444, 448, 450, 331, 338, 384,  
(Continued)

(56) **References Cited**

**U.S. PATENT DOCUMENTS**

D347,214 S \* 5/1994 You-Chi ..... D14/325  
D349,278 S \* 8/1994 Wetrin ..... D14/325  
(Continued)

**FOREIGN PATENT DOCUMENTS**

JP D1328076 4/2008  
TW D151474 1/2013

**OTHER PUBLICATIONS**

Magic Wheel, posted at Compal, posting date Jun. 17, 2017. Site visited Nov. 4, 2019. URL: <<https://web.archive.org/web/>

20170617003614/https://www.compal.com/why-compal/> (Year: 2017).\*

(Continued)

*Primary Examiner* — Kathleen L Jones  
(74) *Attorney, Agent, or Firm* — JCIPRNET

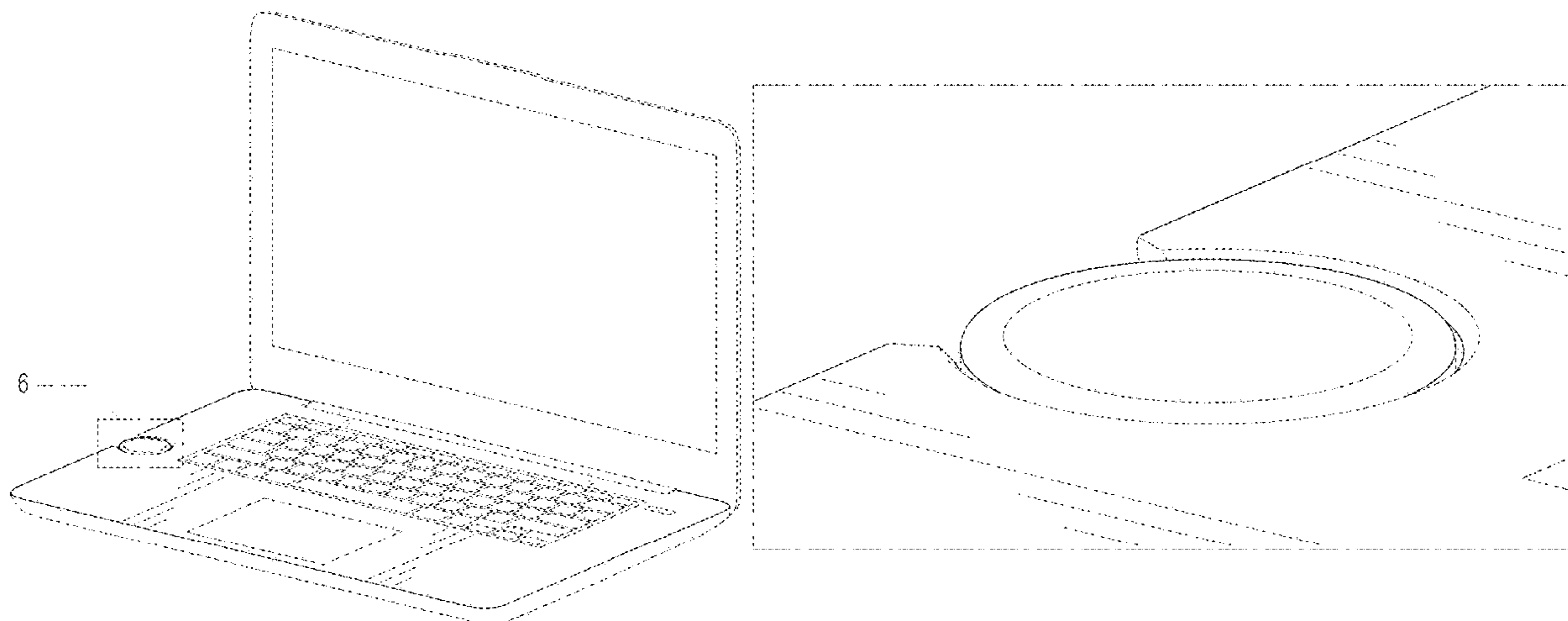
(57) **CLAIM**

The ornamental design for a notebook computer, as shown and described.

**DESCRIPTION**

FIG. 1 is a perspective view of a notebook computer showing a first embodiment of our new design; FIG. 2 is a front view of the first embodiment; FIG. 3 is a left side view of the first embodiment; FIG. 4 is a right side view of the first embodiment; FIG. 5 is a top view of the first embodiment; FIG. 6 is an enlarged view thereof the portion, labeled '6' of FIG. 1 of the first embodiment; FIG. 7 is an enlarged view thereof the portion, labeled '7' of FIG. 5 of the first embodiment; FIG. 8 is a perspective view of a notebook computer showing a second embodiment of our new design; FIG. 9 is a front view of the second embodiment; FIG. 10 is a left side view of the second embodiment; FIG. 11 is a right side view of the second embodiment; FIG. 12 is a top view of the second embodiment; FIG. 13 is an enlarged view thereof the portion, labeled '13' of FIG. 8 of the second embodiment; and, FIG. 14 is an enlarged view thereof the portion, labeled '14' of FIG. 12 of the second embodiment. The rear and bottom views of the first and the second embodiments are omitted because they are unornamented and form no part of the claimed design. The broken lines illustrate portions of the notebook computer and form no part of the claimed design.

**1 Claim, 14 Drawing Sheets**



(58) **Field of Classification Search**

USPC ..... D14/389–390; D18/1–2, 7, 11,  
D18/12.2–12.3; D21/331, 333; D8/310  
CPC .. G07F 17/3209; G06F 3/0213; G06F 3/0202;  
G06F 3/02

See application file for complete search history.

(56) **References Cited**

U.S. PATENT DOCUMENTS

D365,088 S \* 12/1995 Brunner ..... D14/327  
D405,769 S \* 2/1999 Kondo ..... D14/325  
6,195,839 B1 \* 3/2001 Patterson ..... G06F 3/0202  
16/328  
D483,357 S \* 12/2003 Wei ..... D14/323  
D485,264 S \* 1/2004 Chen ..... D14/322  
D493,146 S \* 7/2004 Brett ..... D13/164  
D494,580 S \* 8/2004 Kondo ..... D14/318  
D497,395 S \* 10/2004 Hancock ..... D14/432  
D502,652 S \* 3/2005 Stekelenburg ..... D10/50  
D506,195 S \* 6/2005 Leveridge ..... D14/336  
D510,089 S \* 9/2005 Chou ..... D14/398  
6,966,851 B1 \* 11/2005 England ..... A42B 1/24  
473/406  
D518,053 S \* 3/2006 Chen ..... D14/392  
D522,510 S \* 6/2006 Su ..... D14/384  
D539,796 S \* 4/2007 Zhang ..... D14/318  
D551,223 S \* 9/2007 Luminosu ..... D14/320  
D567,813 S \* 4/2008 Ohno ..... D14/318  
D574,332 S \* 8/2008 Filban ..... D13/162  
D574,735 S \* 8/2008 Landman ..... D10/38  
D582,414 S \* 12/2008 Yim ..... D14/398  
D589,961 S \* 4/2009 Hackenberg ..... D14/388  
D602,022 S \* 10/2009 Heck ..... D14/388  
D662,948 S \* 7/2012 Liang ..... D14/496  
D676,439 S \* 2/2013 Takuma ..... D14/327  
D680,533 S \* 4/2013 Song ..... D14/345  
D694,302 S \* 11/2013 Lee ..... D16/202  
D697,959 S \* 1/2014 Imai ..... D16/202  
D698,348 S \* 1/2014 Ilchan ..... D14/315  
D701,549 S \* 3/2014 Ogasawara ..... D16/202  
D701,550 S \* 3/2014 Umehara ..... D16/202  
D708,182 S \* 7/2014 Ishii ..... D14/389  
D719,161 S \* 12/2014 Huebner ..... D14/389  
D719,614 S \* 12/2014 Baum ..... D14/401  
D722,055 S \* 2/2015 Jonsson ..... D14/389  
D726,724 S \* 4/2015 Wahlqvist ..... D14/390

D729,245 S \* 5/2015 Pang ..... D14/398  
D729,802 S \* 5/2015 Pang ..... D14/398  
D736,209 S \* 8/2015 Lee ..... D14/389  
D750,177 S \* 2/2016 Norman ..... D14/401  
D776,509 S \* 1/2017 Fagan ..... D8/300  
D787,501 S \* 5/2017 Cheng ..... D14/315  
D787,502 S \* 5/2017 Hsieh ..... D14/315  
D787,503 S \* 5/2017 Bai ..... D14/315  
D791,729 S \* 7/2017 Kim ..... D14/138 C  
D793,392 S \* 8/2017 Lai ..... D14/398  
D793,479 S \* 8/2017 Youssef ..... D21/331  
D829,077 S \* 9/2018 Krause ..... D8/310  
D836,637 S \* 12/2018 Lu ..... D14/398  
D847,131 S \* 4/2019 Akana ..... D14/341  
D847,815 S \* 5/2019 Pang ..... D14/401  
D850,439 S \* 6/2019 Jung ..... D14/315  
D861,686 S \* 10/2019 Li ..... D14/389  
10,452,105 B2 \* 10/2019 Zenoff ..... G06F 1/3206  
D883,989 S \* 5/2020 Cheng ..... D14/440  
D888,709 S \* 6/2020 Kang ..... D14/327  
2002/0027560 A1 \* 3/2002 Fukuda ..... H04N 7/147  
345/581  
2013/0249802 A1 \* 9/2013 Yasutake ..... G06F 3/016  
345/168  
2016/0349909 A1 \* 12/2016 Lu ..... G06F 1/1624

OTHER PUBLICATIONS

3D Tablet / Haptic tablet with acoustic & gaming accessory, posted at Compal, posting date Jun. 17, 2017. Site visited Nov. 4, 2019. URL: <<https://web.archive.org/web/20170617003614/https://www.compal.com/why-compal/>> (Year: 2017).\*

Crisp, Simon, Understanding the buttons and dials on your new camera, posted at New Atlas, posting date Apr. 27, 2016. Site visited Nov. 4, 2019. URL: <<https://newatlas.com/understanding-camera-button-dial-guide/42978/>> (Year: 2016).\*

Samsung's EX2F has Dual Dials on top of the camera, posted at Montreal Gazette, posting date Jan. 11, 2013. Site visited Nov. 4, 2019. URL: <<http://www.montrealgazette.com/technology/Samsung+EX2F+Dual+Dials+camera+easily+select+various+shooting+modes+parameters/7807839/story.html>> (Year: 2013).\*

Lee, Chris, modes, quasimodes, and cameras, posted at Medium, posting date Dec. 18, 2016. Site visited Nov. 4, 2019. URL: <[https://medium.com/@\\_leechris/modes-quasimodes-and-cameras-5a8ce6136778](https://medium.com/@_leechris/modes-quasimodes-and-cameras-5a8ce6136778)> (Year: 2016).\*

\* cited by examiner

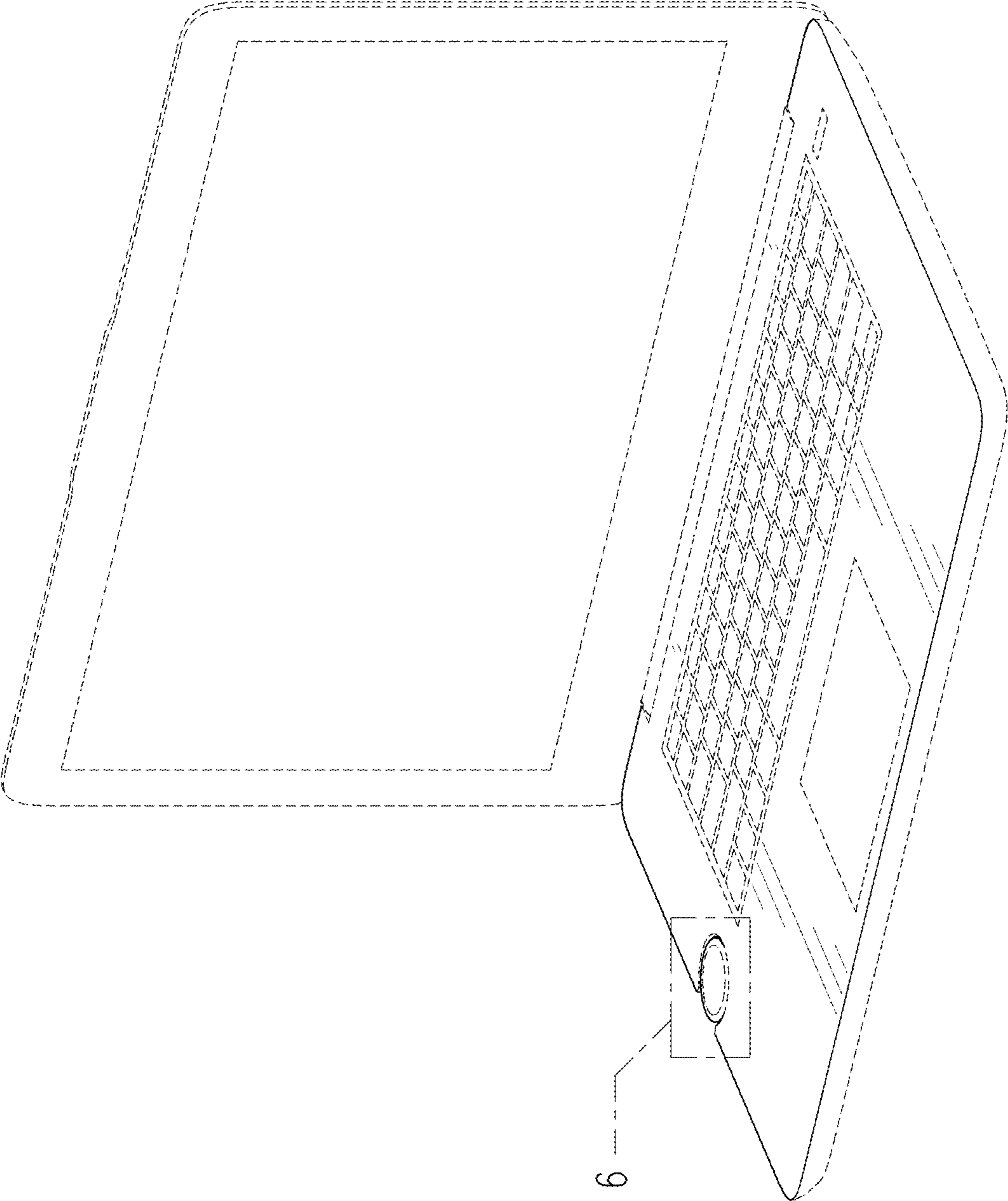


FIG. 1



FIG. 2

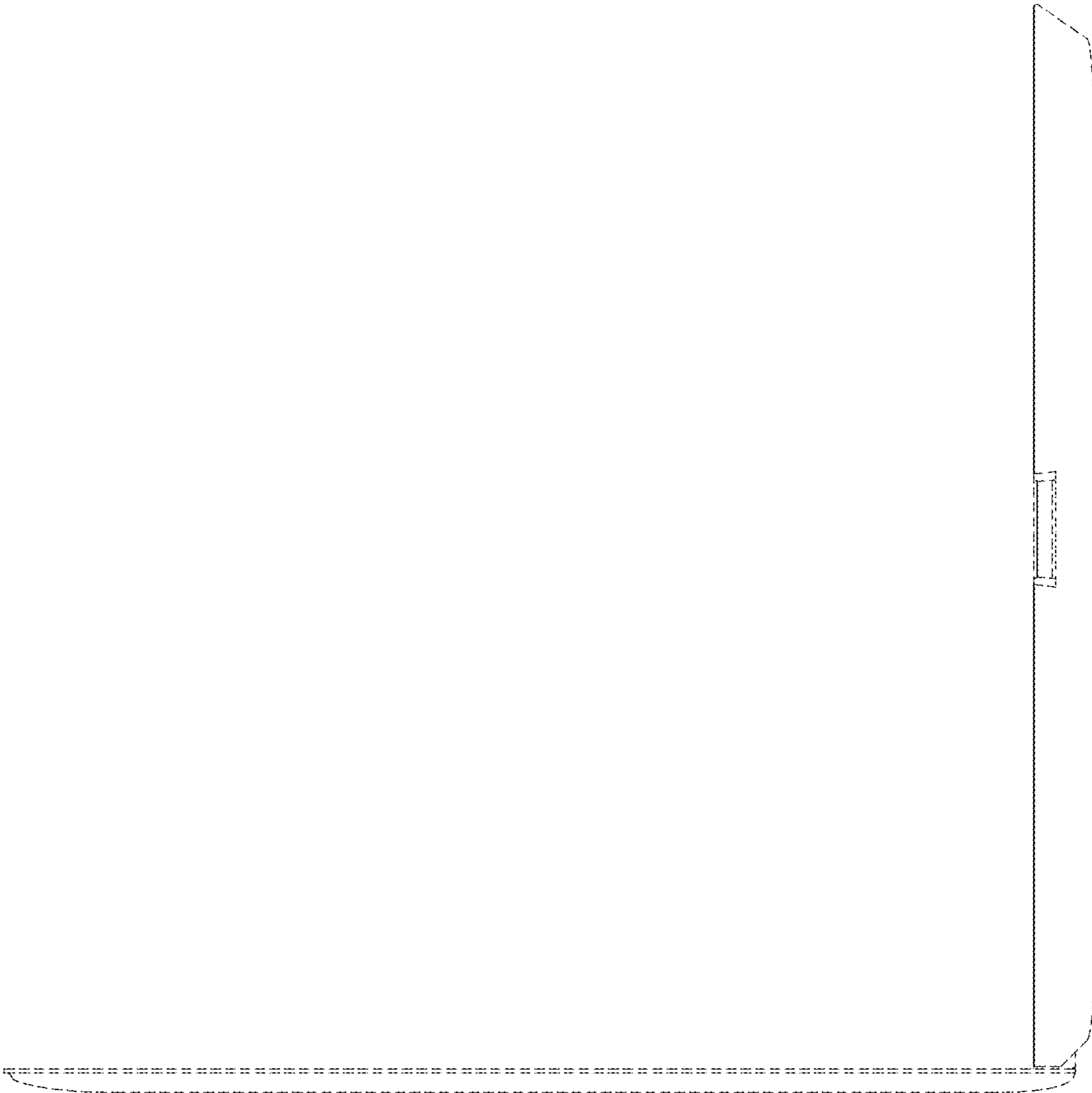


FIG. 3

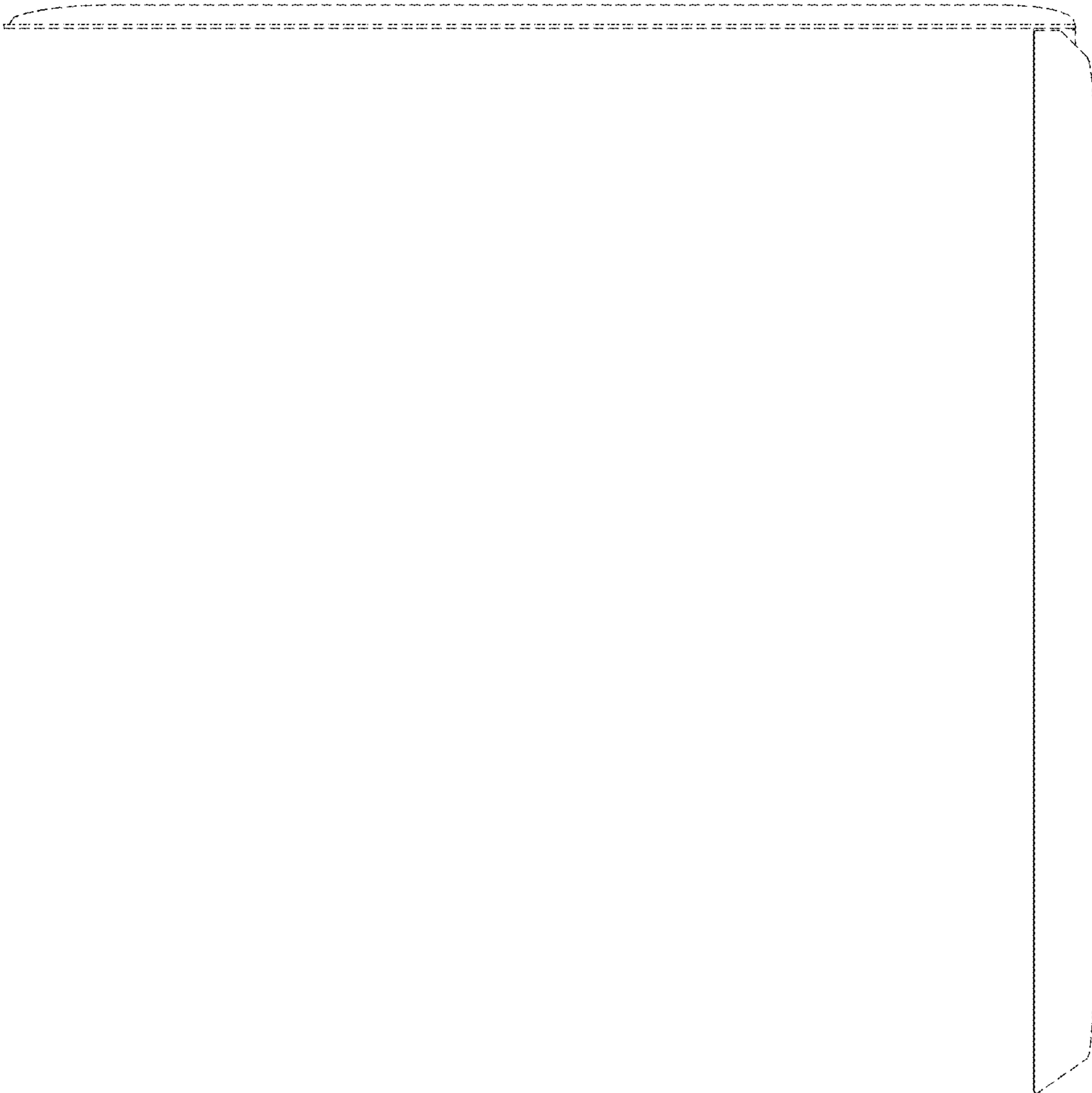


FIG. 4

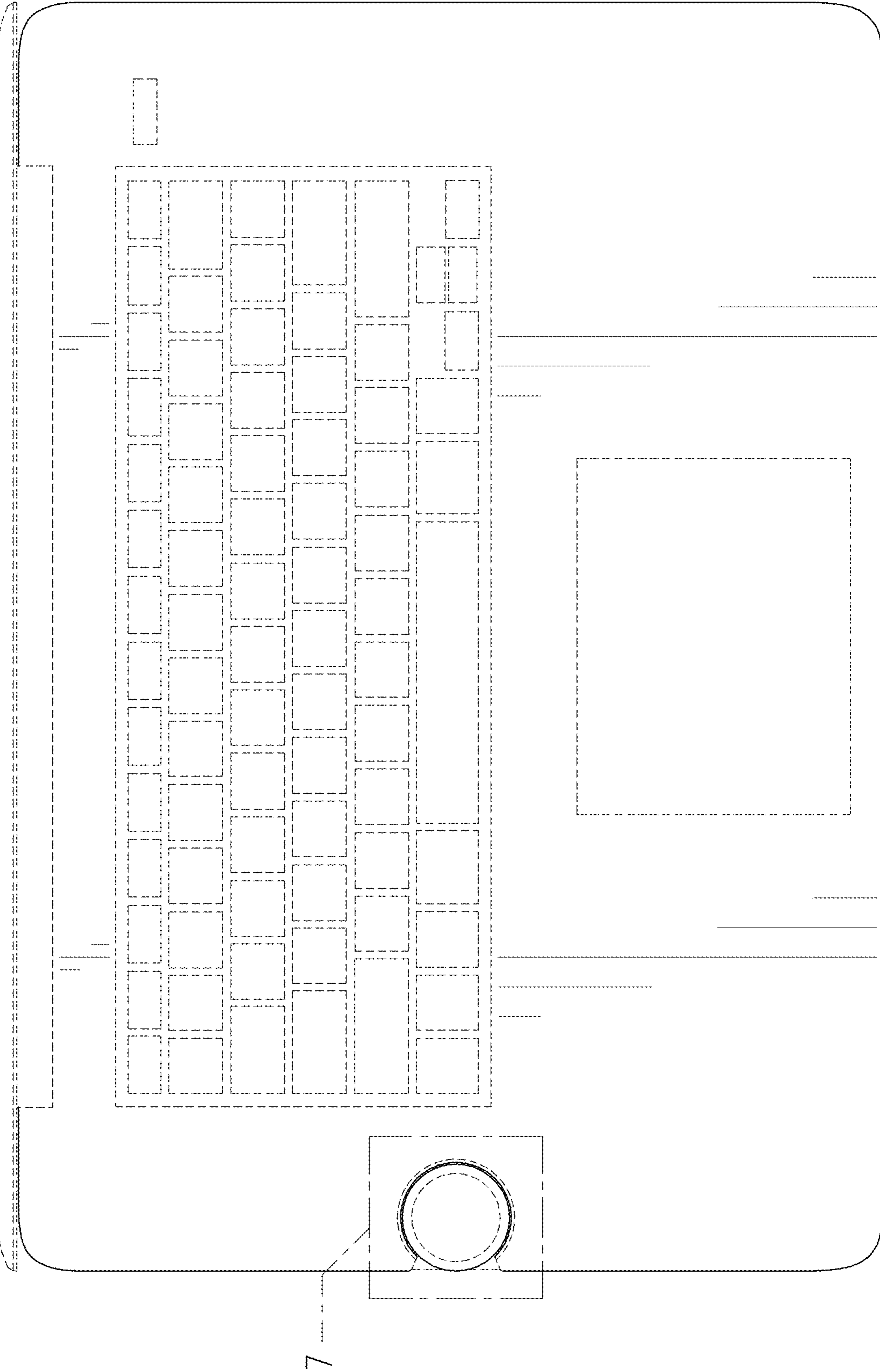


FIG. 5

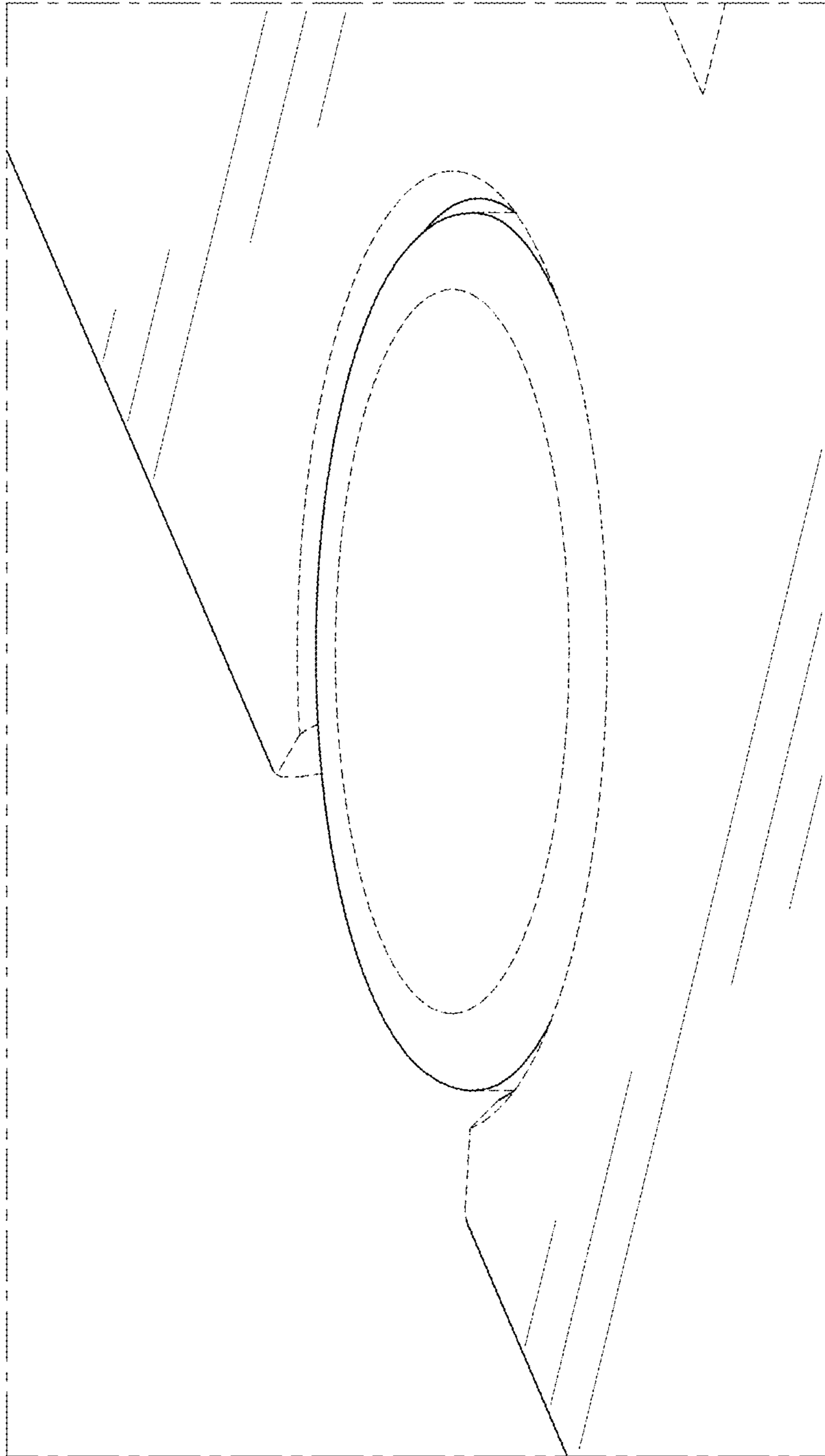


FIG. 6



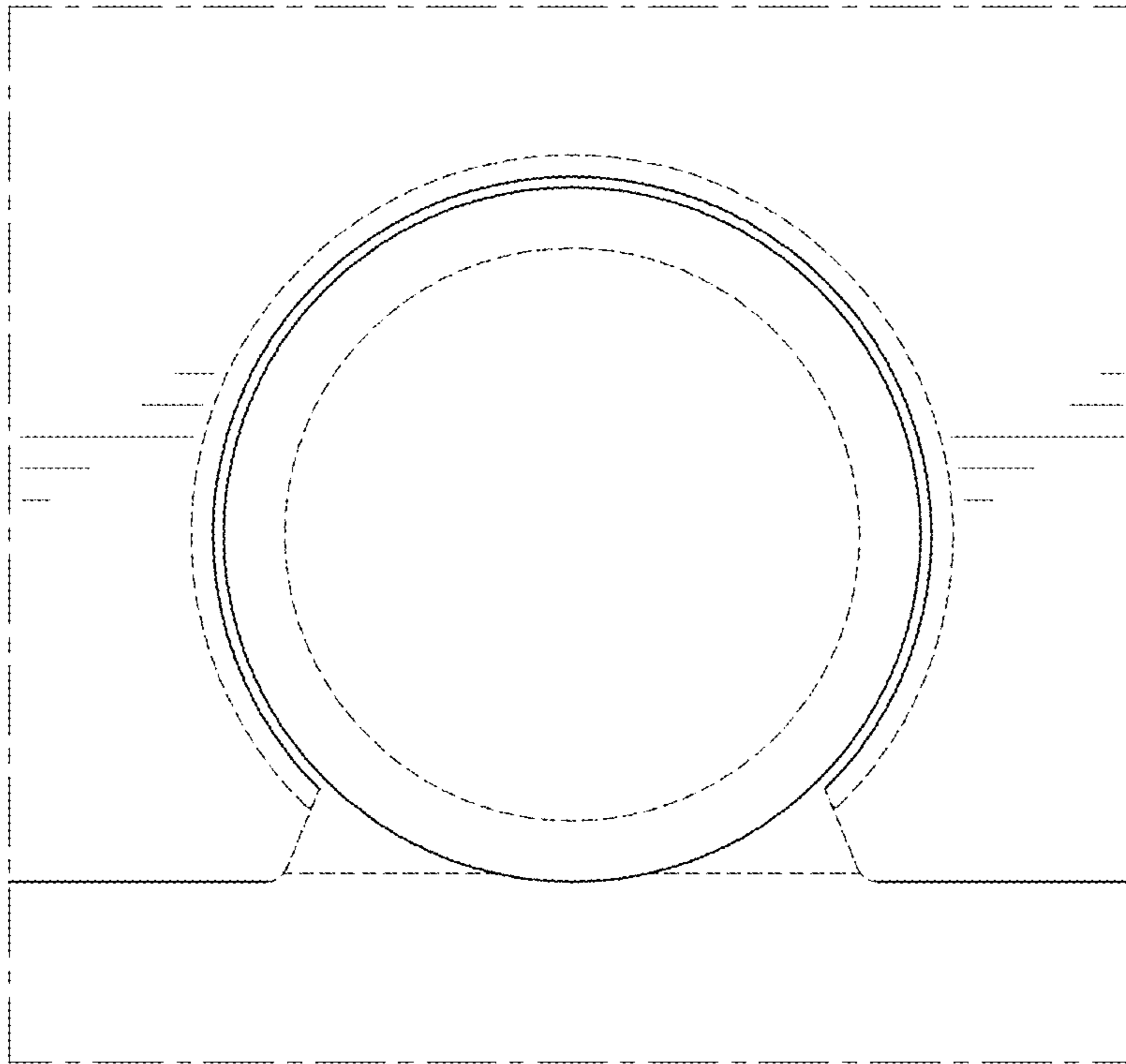


FIG. 7

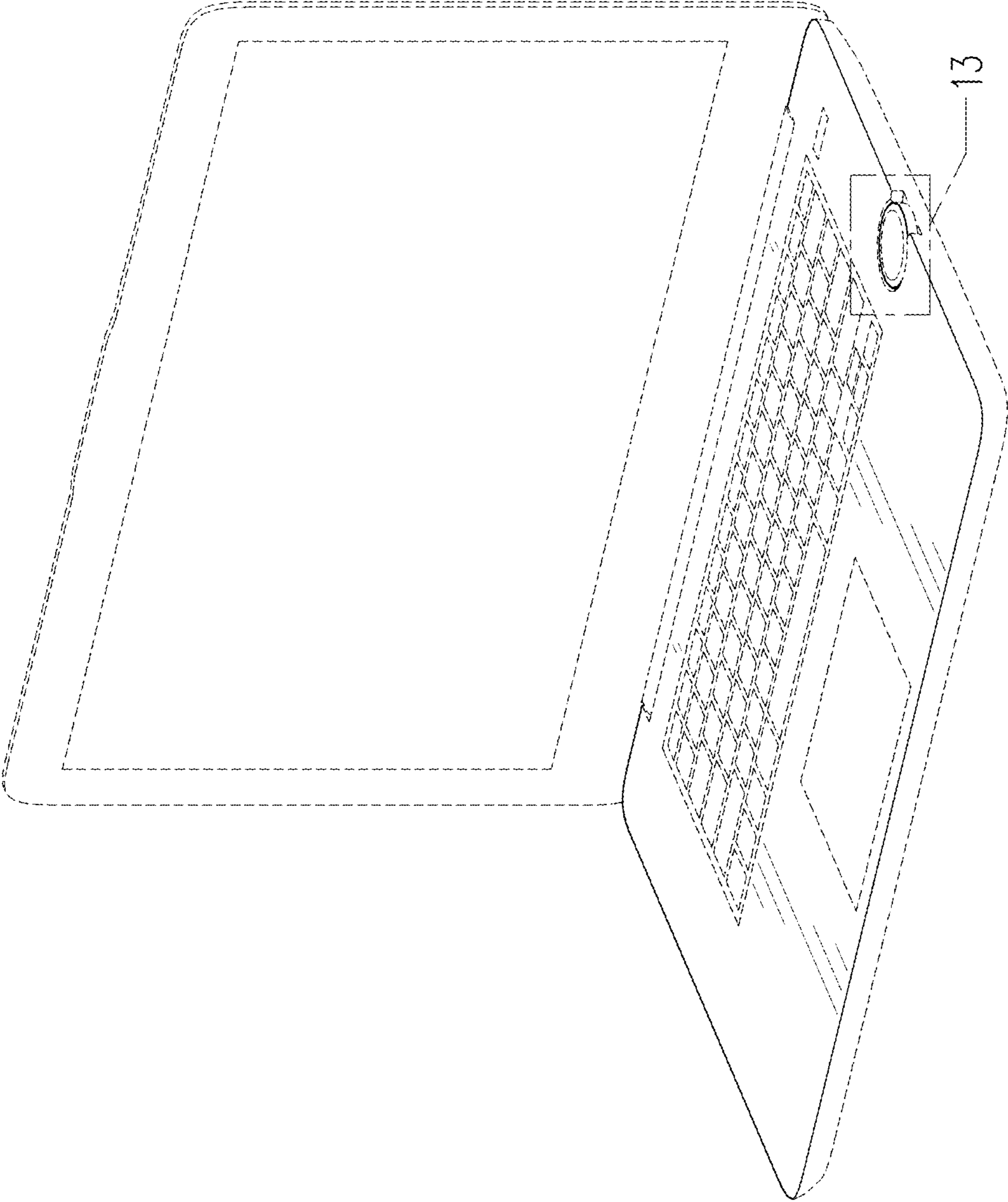


FIG. 8

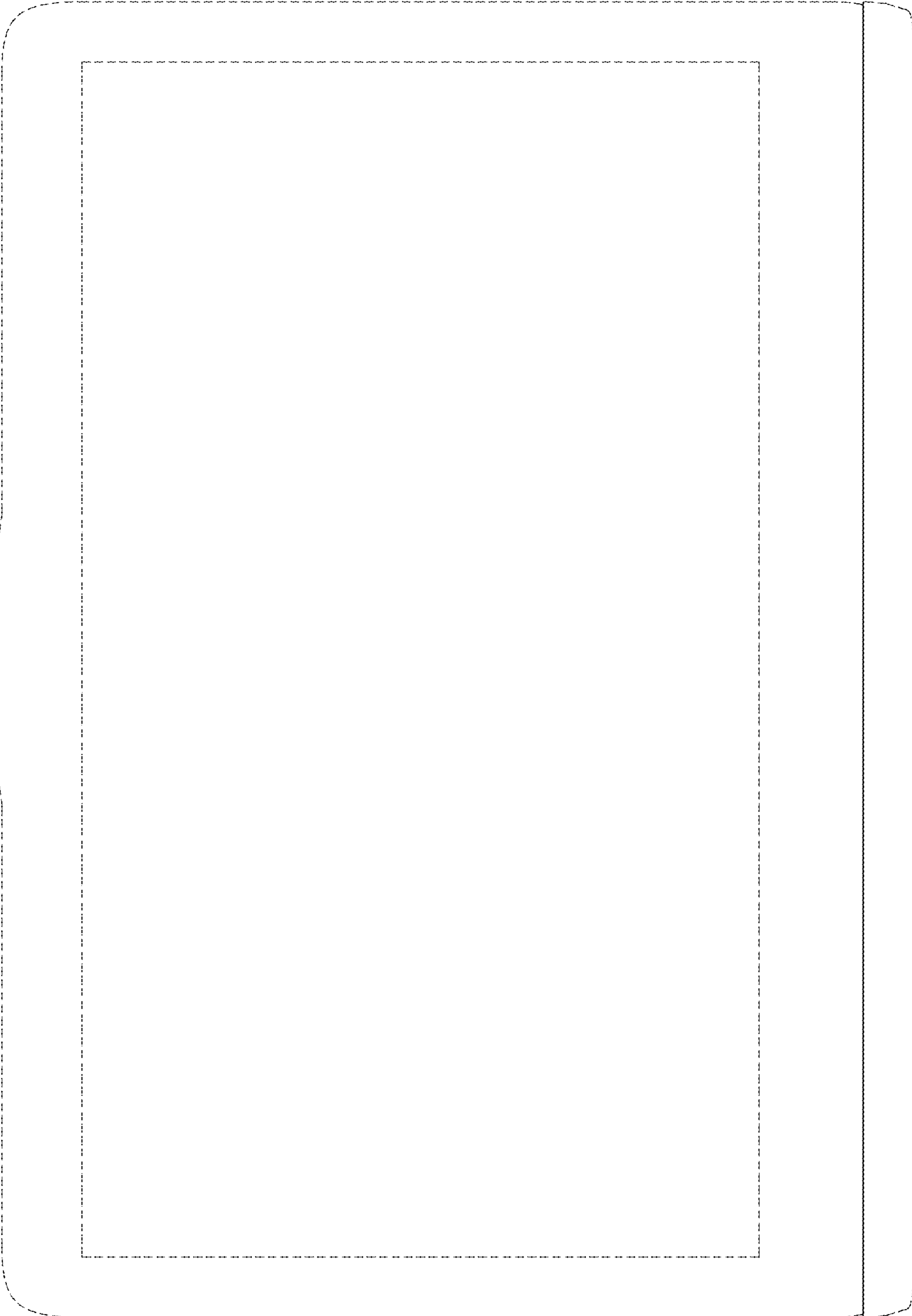


FIG. 9

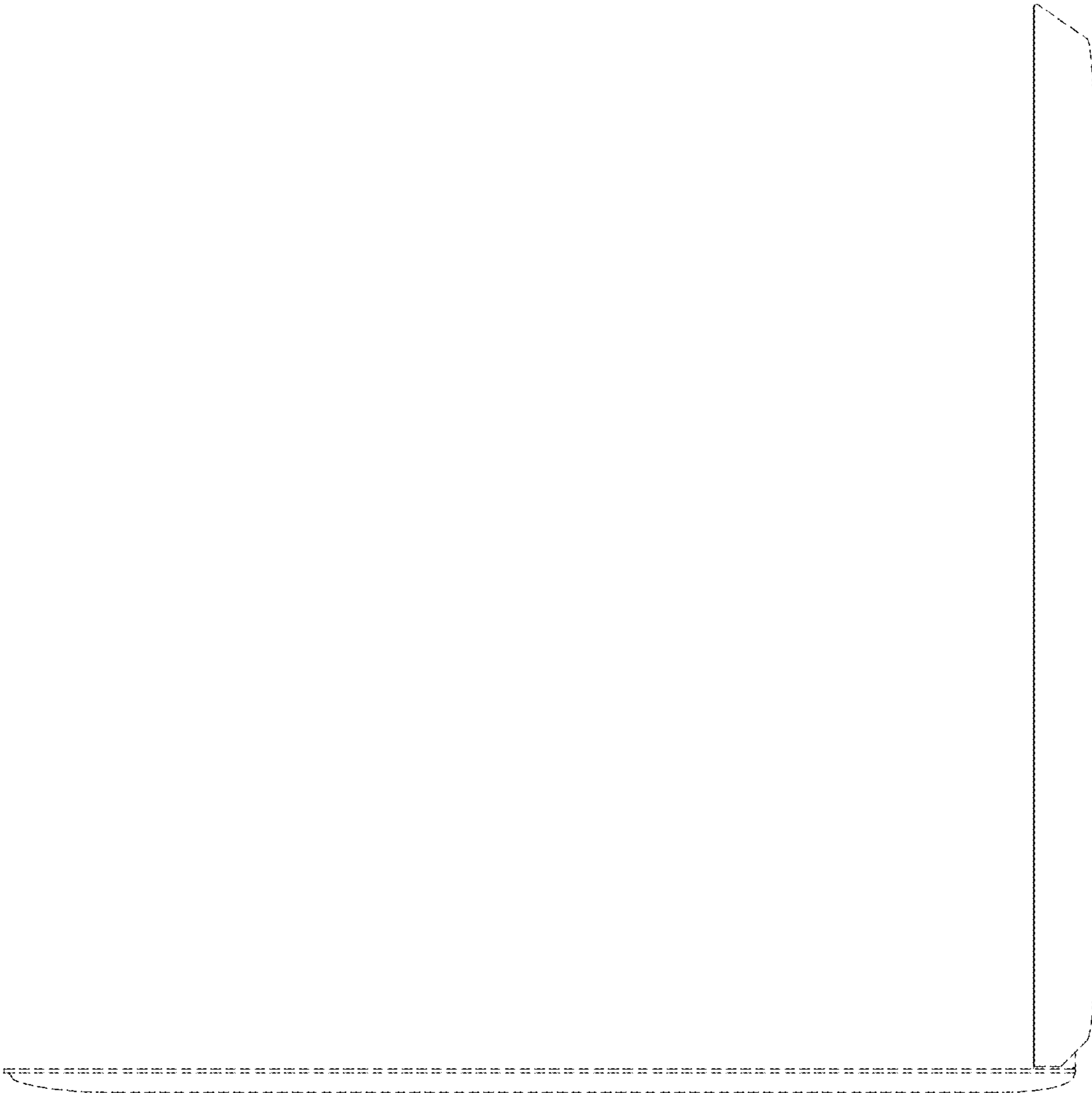


FIG. 10

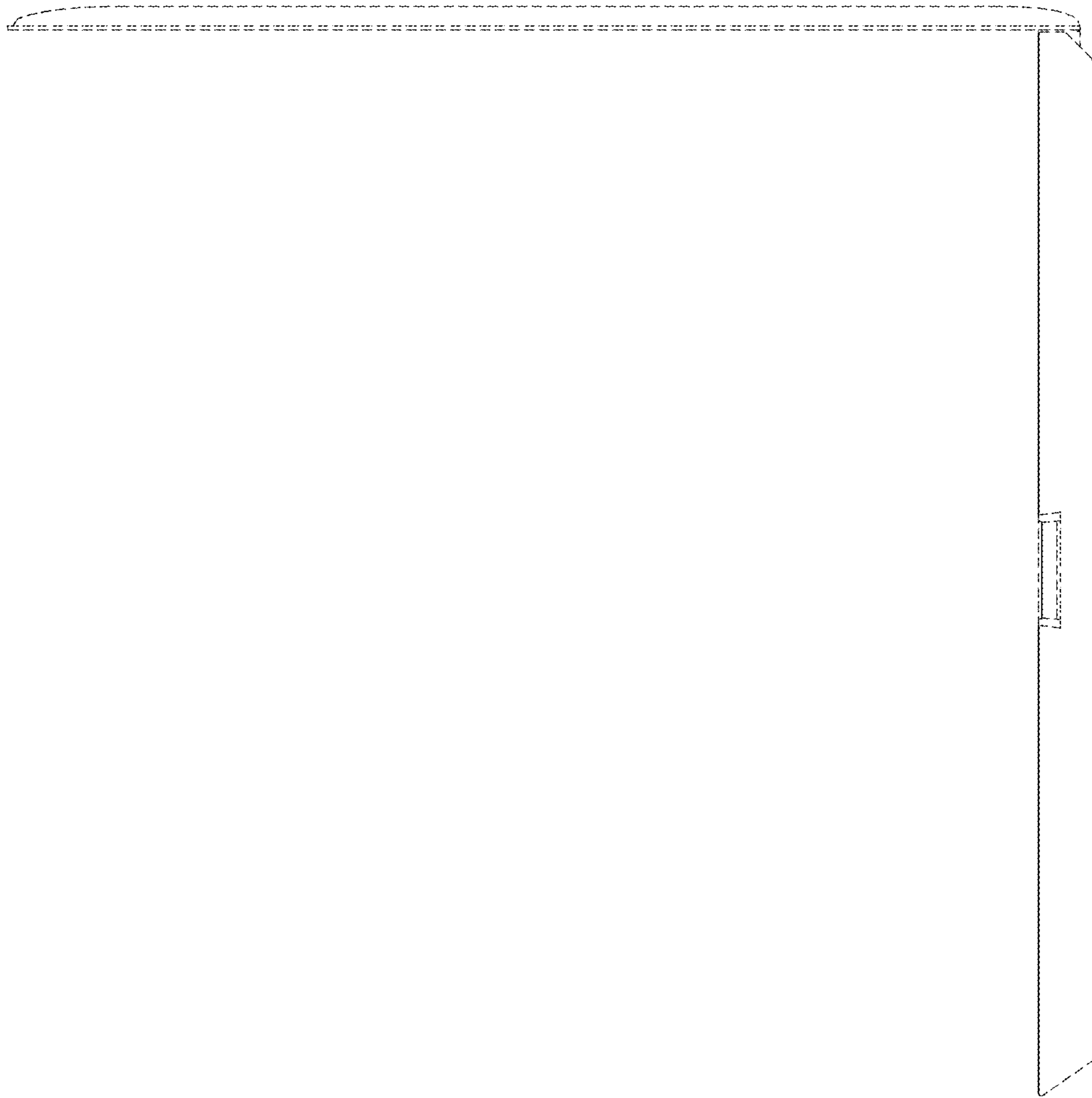


FIG. 11

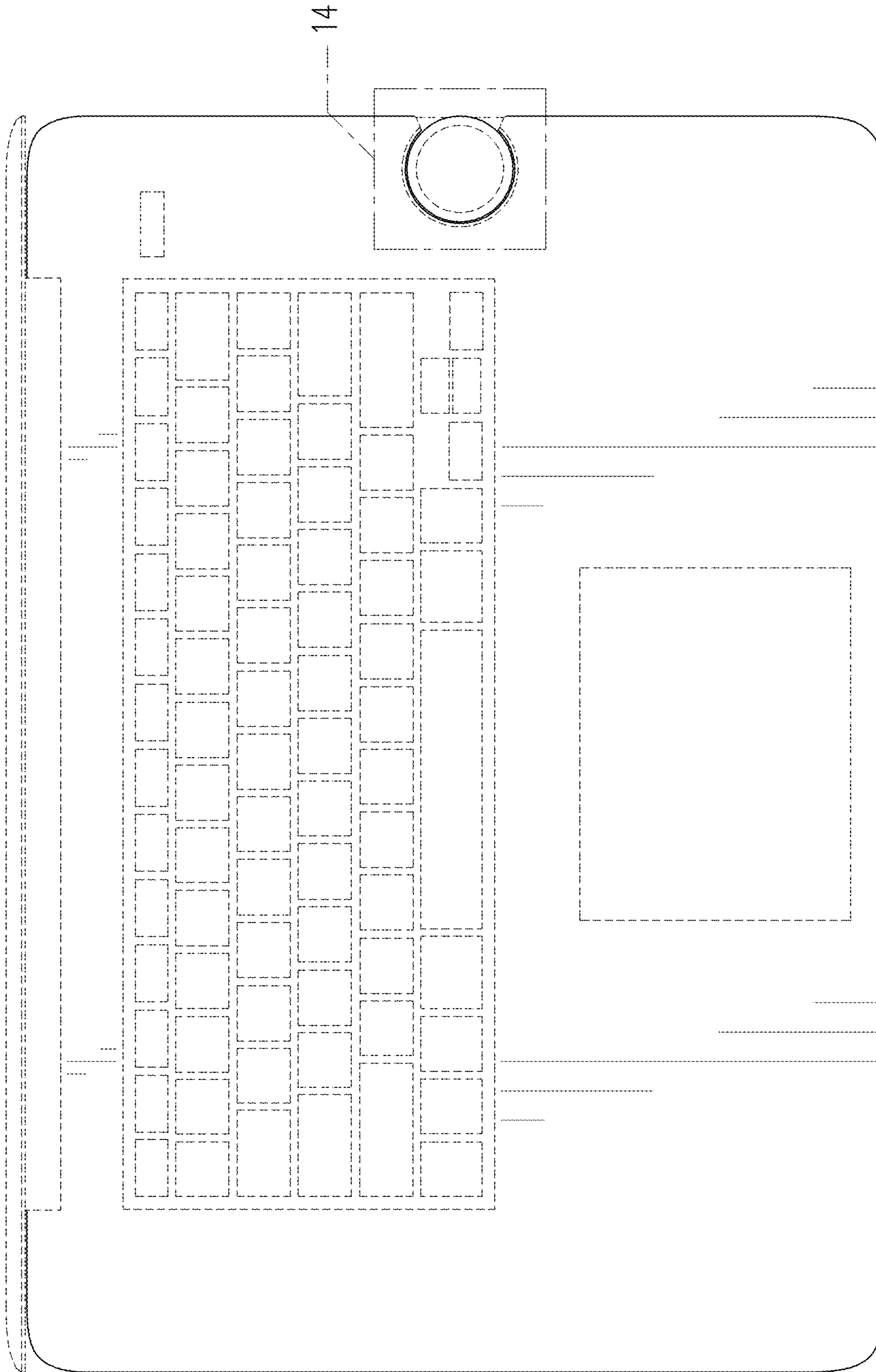


FIG. 12

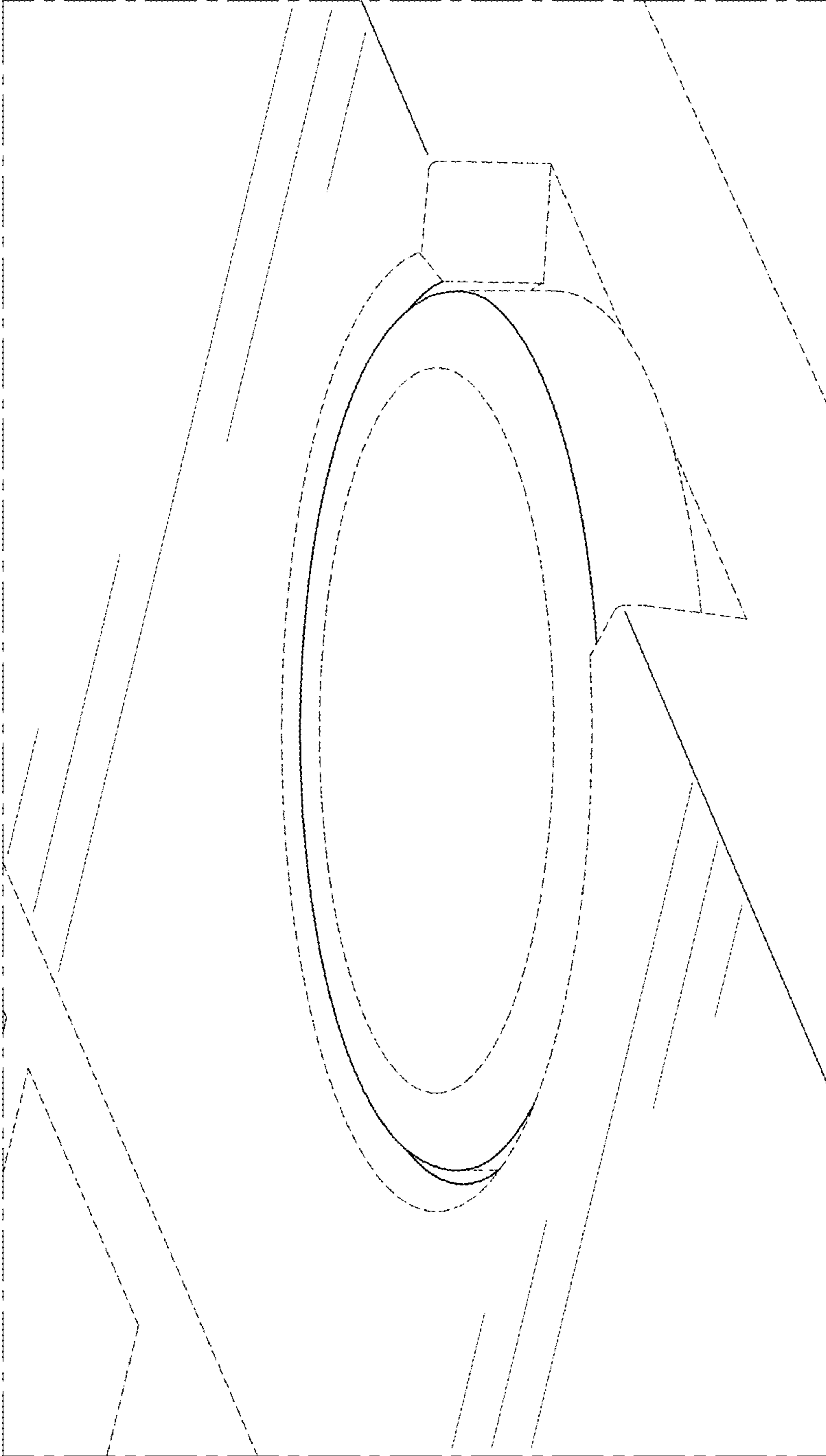


FIG. 13

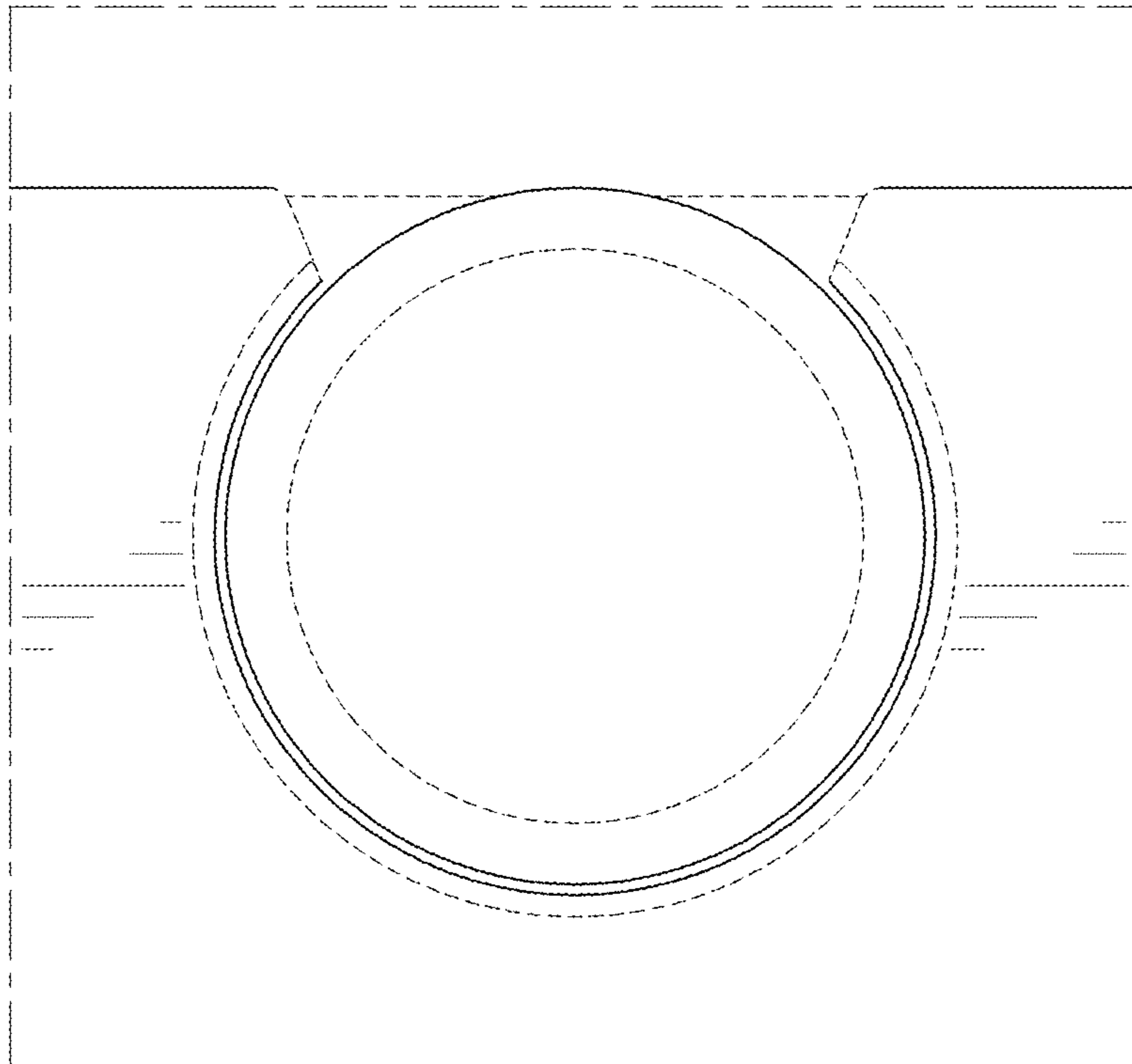


FIG. 14