



US00D912041S

(12) **United States Design Patent**  
**Moon et al.**

(10) **Patent No.:** **US D912,041 S**  
(45) **Date of Patent:** **\*\* Mar. 2, 2021**

(54) **COMPUTER HINGE ASSEMBLY**

(71) Applicant: **HEWLETT-PACKARD DEVELOPMENT COMPANY, L.P.**,  
Spring, TX (US)

(72) Inventors: **Hyunmin Moon**, Spring, TX (US);  
**Marcus Townsend**, Spring, TX (US);  
**Jaekyu Jung**, Spring, TX (US)

(73) Assignee: **Hewlett-Packard Development Company, L.P.**, Spring, TX (US)

(\*\*) Term: **15 Years**

(21) Appl. No.: **29/679,492**

(22) Filed: **Feb. 6, 2019**

(51) **LOC (13) Cl.** ..... **14-02**

(52) **U.S. Cl.**  
USPC ..... **D14/315**

(58) **Field of Classification Search**  
USPC ..... D14/315, 371, 376, 323, 341, 439;  
248/447; D8/321, 323, 325; D20/43  
(Continued)

(56) **References Cited**

**U.S. PATENT DOCUMENTS**

D30,630 S \* 4/1899 Caldwell ..... D8/395  
2,881,915 A \* 4/1959 Koehler ..... B65D 63/06  
206/340

(Continued)

**FOREIGN PATENT DOCUMENTS**

CN 304731814 \* 7/2018  
CN 304825921 \* 9/2018  
CN 305396650 \* 10/2019

**OTHER PUBLICATIONS**

Strapping Open Seal, PAC, amazon.com, published by PAC on Aug. 9, 2016 © 2008-2020 Amazon.com, Inc., online, site visited Jun. 8,

2020. Available at URL: <https://www.amazon.ca/PAC-Strapping-Products-Plastic-Width/dp/B004OR1CWA> (Year: 2016).\*

(Continued)

*Primary Examiner* — Marissa J Cash

*Assistant Examiner* — Altaira J Swangin

(74) *Attorney, Agent, or Firm* — Conley Rose P.C.

(57) **CLAIM**

The ornamental design for a computer hinge assembly, as shown and described.

**DESCRIPTION**

FIG. 1 is a perspective view of a computer hinge assembly showing a rear side of the computer hinge assembly in accordance with the new design;

FIG. 2 is a top plan view of the computer hinge assembly of FIG. 1 showing a top side of the computer hinge assembly; FIG. 3 is a bottom plan view of the computer hinge assembly of FIG. 1 showing a bottom side of the computer hinge assembly;

FIG. 4 is a back view of the computer hinge assembly of FIG. 1 showing the rear side of the computer hinge assembly;

FIG. 5 is a left side view of the computer hinge assembly of FIG. 1;

FIG. 6 is right side view of the computer hinge assembly of FIG. 1;

FIG. 7 is another perspective view of the computer hinge assembly of FIG. 1, showing the associated computer in an open configuration and showing the front side of the computer hinge assembly;

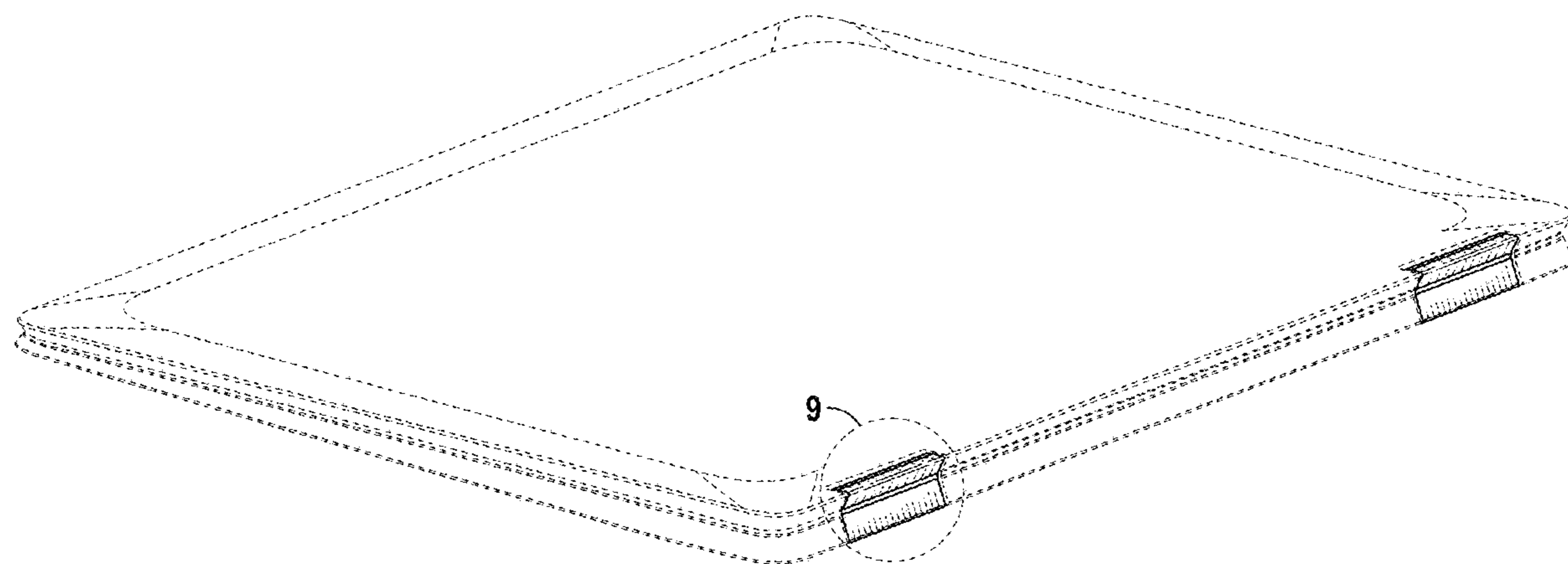
FIG. 8 is another perspective view of the computer hinge assembly of FIG. 1, showing the associated computer in another open configuration and showing the front side of the computer hinge assembly;

FIG. 9 is an enlarged perspective view of detail 9 from FIG. 1;

FIG. 10 is an enlarged perspective view of detail 10 from FIG. 7; and,

FIG. 11 is an enlarged perspective view of detail 11 from FIG. 8.

(Continued)



The broken lines in the drawings are directed to environment and are for illustrative purposes only. Accordingly, the broken lines form no part of the claimed design. In addition, unshaded surfaces of the computer hinge assembly (to the extent they are shown in the drawings) also form no part of the claimed design.

**1 Claim, 9 Drawing Sheets**

**(58) Field of Classification Search**

CPC ..... B41J 5/00; B41J 5/10; B41J 5/12; F16M 11/10; G06F 3/0219; G06F 3/02  
See application file for complete search history.

**(56) References Cited**

U.S. PATENT DOCUMENTS

D228,998	S	*	11/1973	Rozman	.....	D6/310
4,165,943	A	*	8/1979	Beach	.....	B65D 63/06 403/285
D272,702	S	*	2/1984	Kingsley, Jr.	.....	D8/371
5,119,553	A	*	6/1992	Sato	.....	B42F 1/003 29/243.56
5,130,888	A	*	7/1992	Moore	.....	H01L 23/4093 165/185
D376,972	S	*	12/1996	Zissu	.....	D8/354
D381,973	S	*	8/1997	Adams	.....	D14/450
D431,731	S	*	10/2000	Schwab	.....	D3/201
6,283,432	B1	*	9/2001	Hoose, Jr.	.....	A47B 23/042 248/441.1
6,981,682	B2	*	1/2006	Kind	.....	A47B 23/042 248/300
D566,825	S	*	4/2008	Lucero	.....	D23/386
D573,656	S	*	7/2008	Wamsley	.....	D20/43
D616,431	S	*	5/2010	Hijmans	.....	D14/253

D638,417	S	*	5/2011	Bogner	.....	D14/315
D677,260	S	*	3/2013	Hong	.....	D14/447
D714,297	S	*	9/2014	Poulsen	.....	D14/447
D719,148	S	*	12/2014	Kim	.....	D14/315
D722,063	S	*	2/2015	Zwerner	.....	D14/447
D722,065	S	*	2/2015	Zwerner	.....	D14/447
D725,988	S	*	4/2015	Smalley	.....	D8/323
D726,713	S	*	4/2015	Lee	.....	D14/315
D727,312	S	*	4/2015	Lee	.....	D14/315
D748,731	S	*	2/2016	Kopco	.....	D20/43
D748,732	S	*	2/2016	Kopco	.....	D20/43
D754,668	S	*	4/2016	Manabe	.....	D14/447
D762,636	S	*	8/2016	Liu	.....	D14/315
D781,282	S	*	3/2017	Hsu	.....	D14/315
D787,521	S	*	5/2017	Chen	.....	D14/447
D793,126	S	*	8/2017	Small	.....	D6/627
D796,579	S	*	9/2017	Souhala	.....	D20/43
D844,624	S	*	4/2019	Liu	.....	D14/450
D847,142	S	*	4/2019	Furshman	.....	D14/447
D853,377	S	*	7/2019	Crandon	.....	D14/253
D855,056	S	*	7/2019	Raken	.....	D14/439
D856,343	S	*	8/2019	Kijiya	.....	D14/447
D865,757	S	*	11/2019	Townsend	.....	D14/327
D889,930	S	*	7/2020	Shah	.....	D8/325
D904,395	S	*	12/2020	Reed	.....	D14/315
2013/0194741	A1	*	8/2013	Uchiyama	.....	G06F 1/1681 361/679.26
2016/0138753	A1	*	5/2016	Crossland	.....	A47B 21/045 248/447
2017/0263164	A1	*	9/2017	Gibb	.....	E05D 5/02

OTHER PUBLICATIONS

Steel Strapping Seal, HIS, hunterindustrialsupplies.com, author unlisted, published on Mar. 2, 2017 © 2019 Hunter Industrial Supplies, Inc., online, site visited Jun. 8, 2020. Available at URL: <https://www.hunterindustrialsupplies.com.au/steel-strapping-seals.html> (Year: 2017).\*

\* cited by examiner

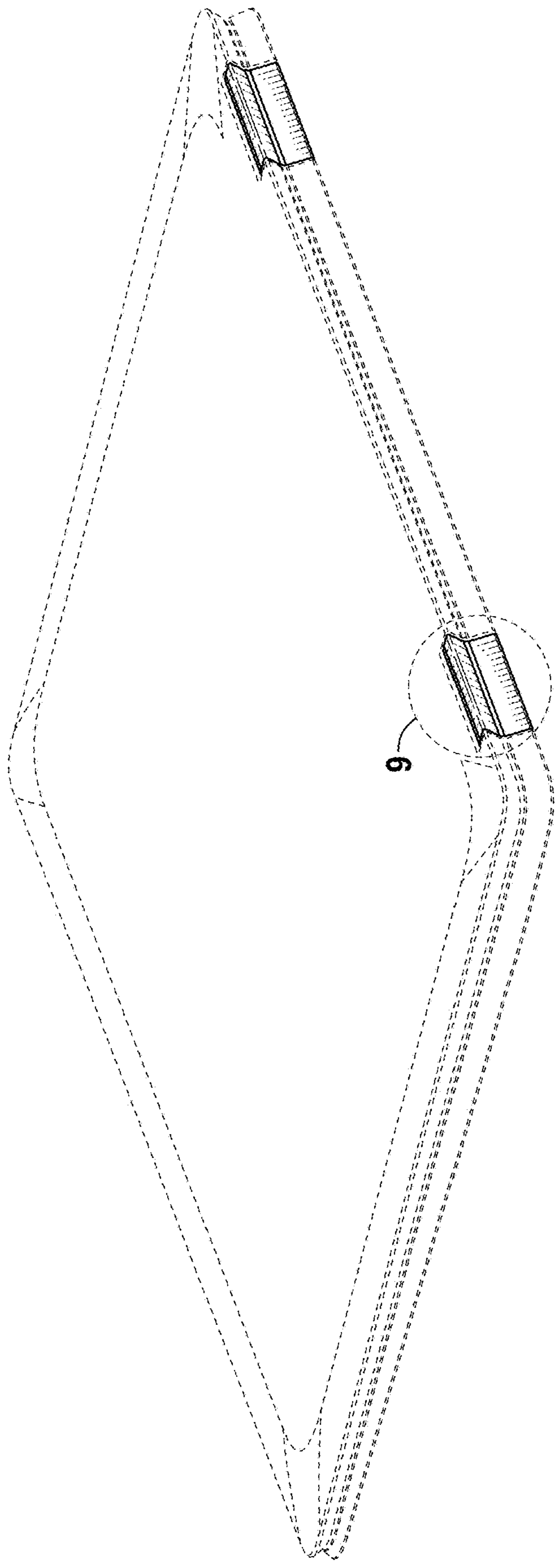


FIG. 1

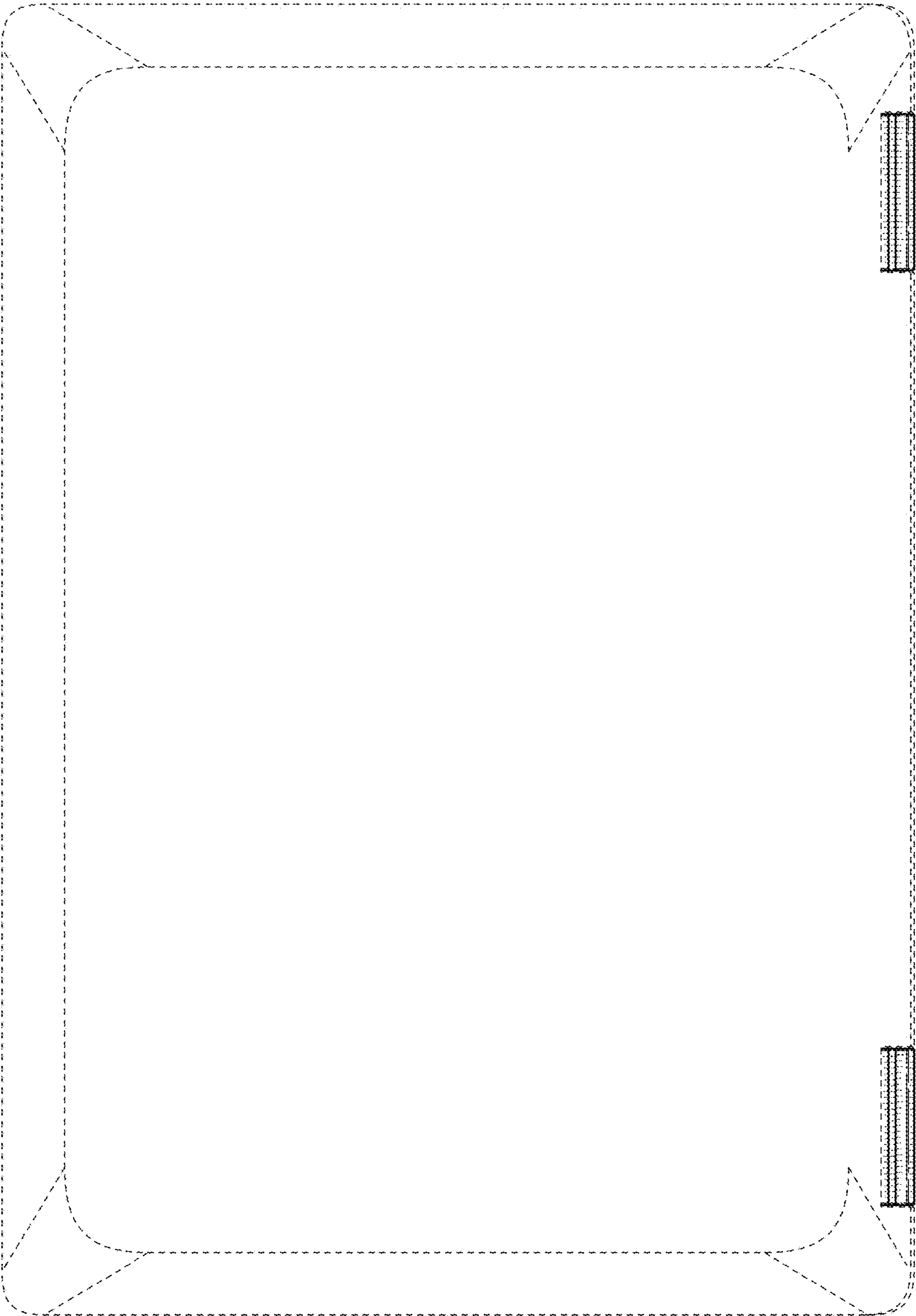


FIG. 2

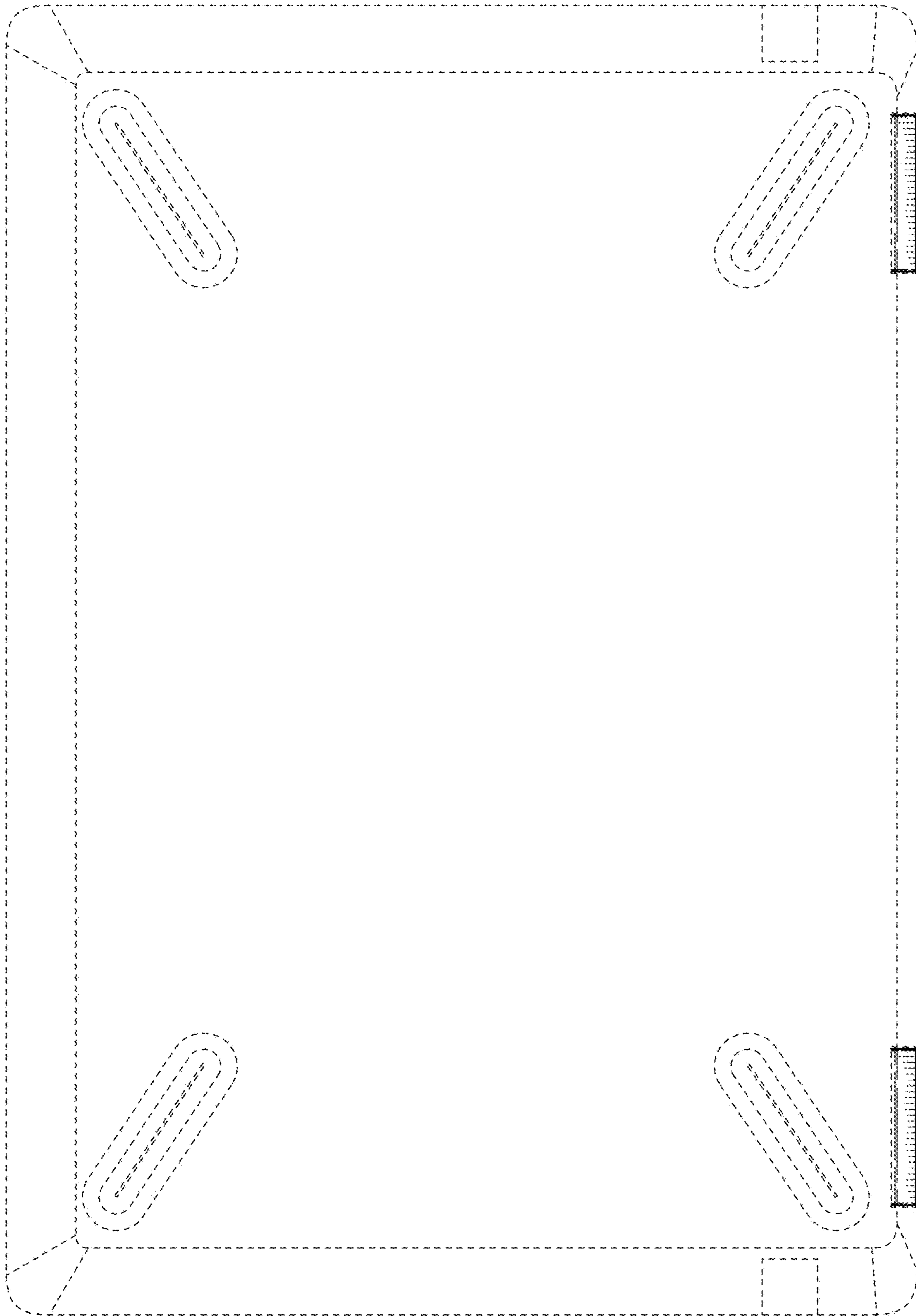


FIG. 3

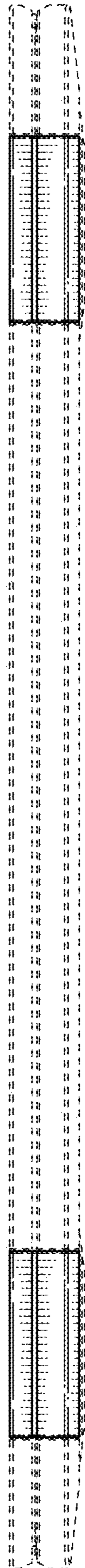


FIG. 4

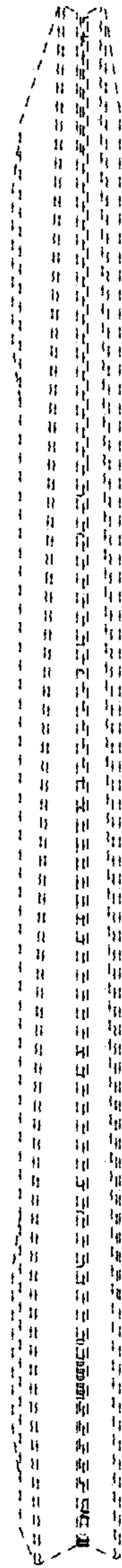


FIG. 5

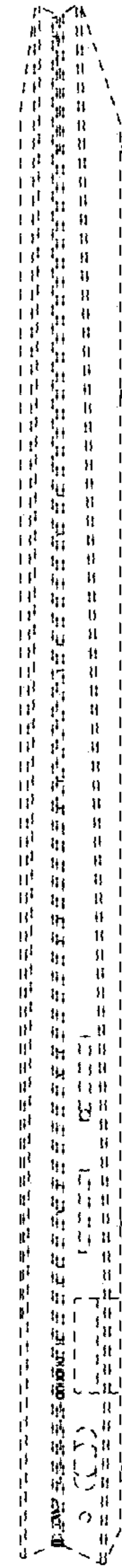


FIG. 6

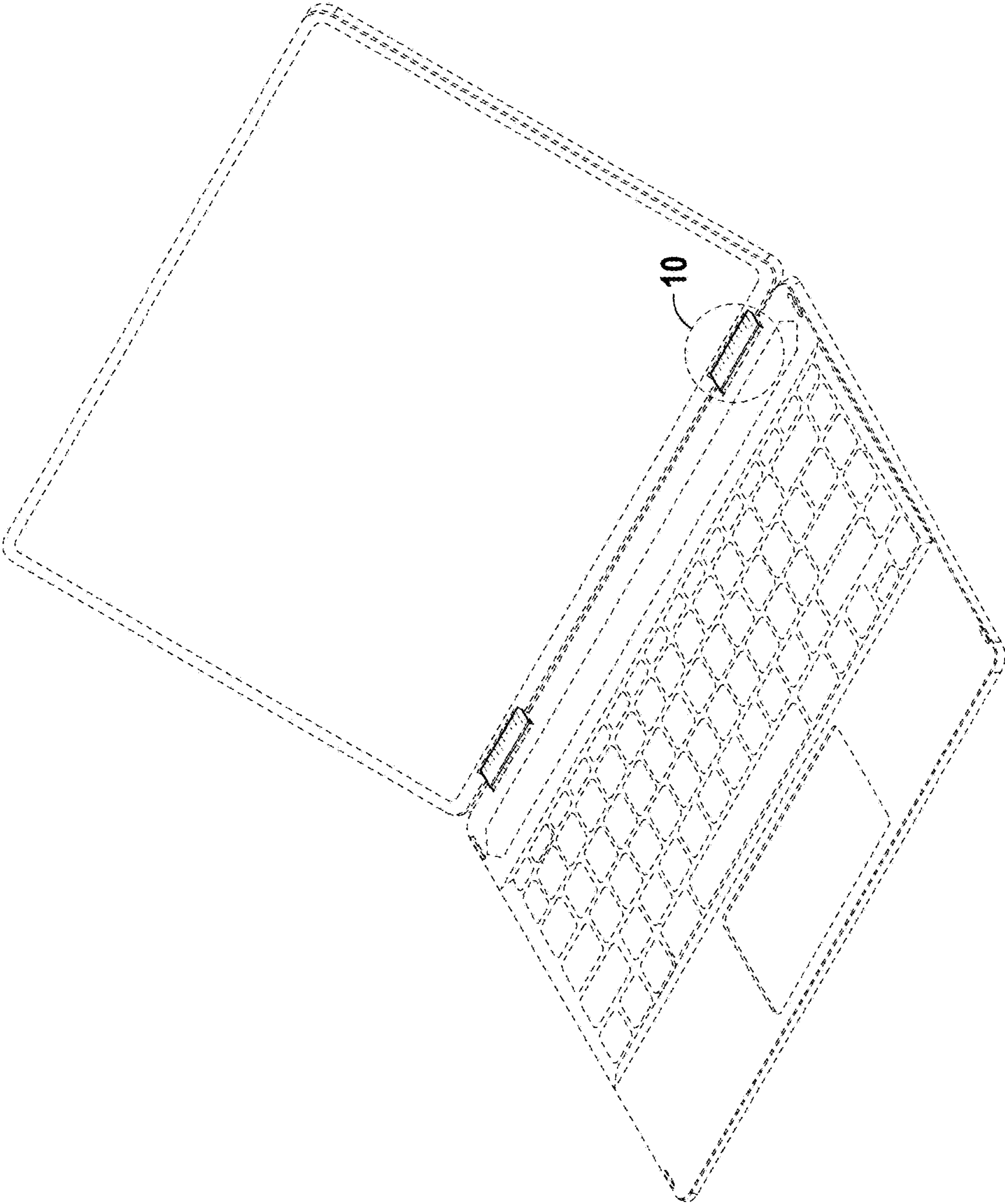


FIG. 7



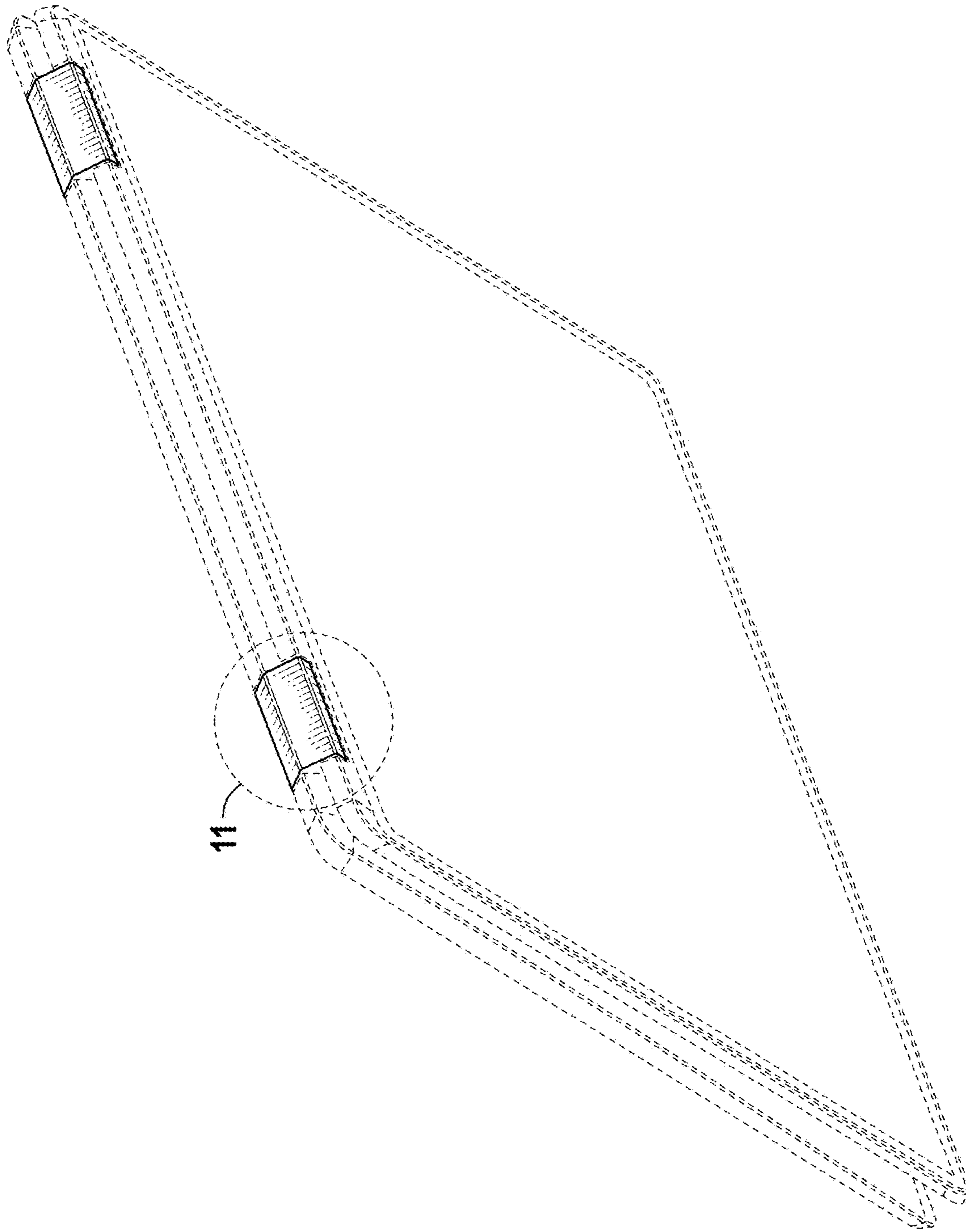


FIG. 8

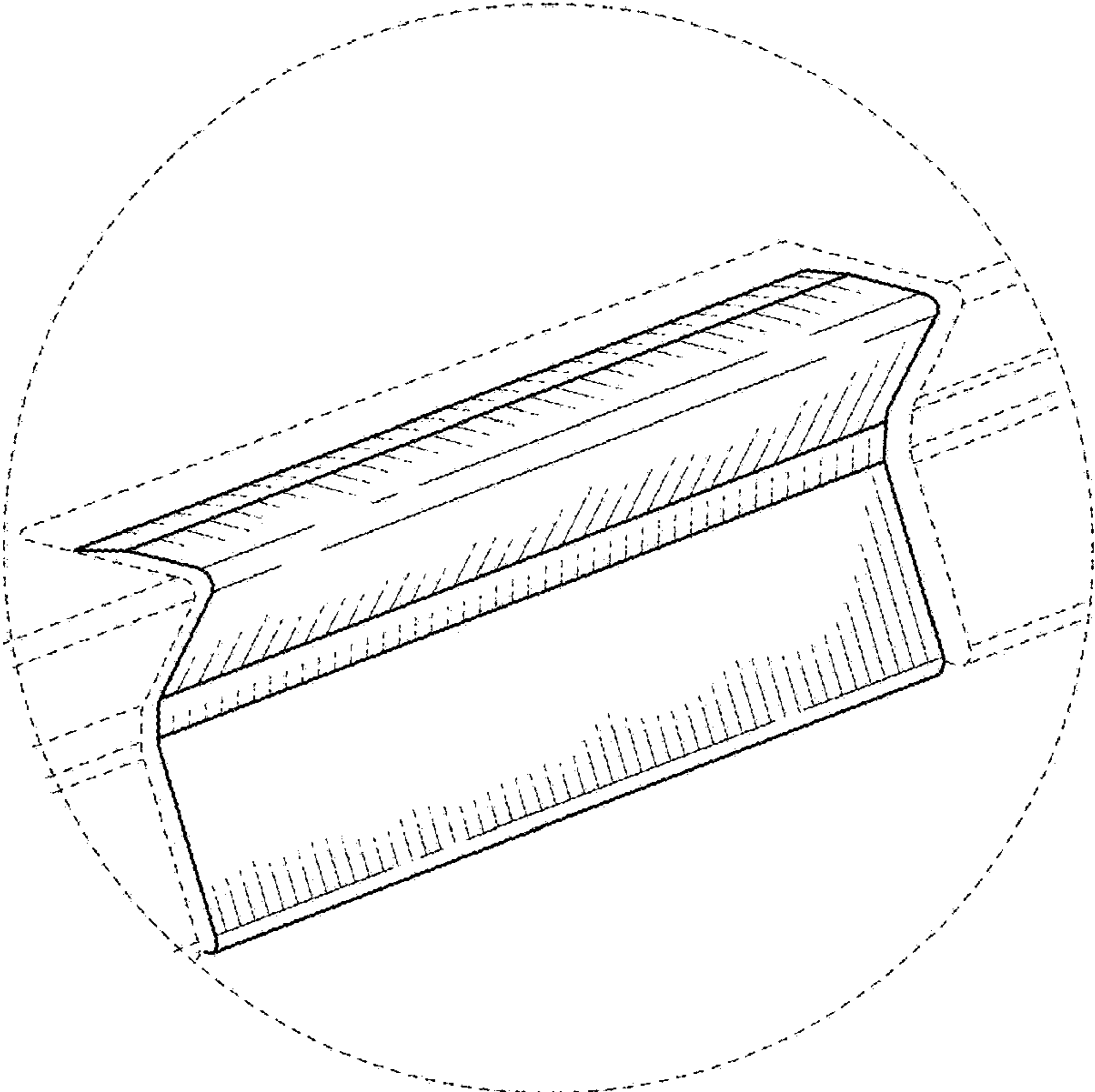


FIG. 9

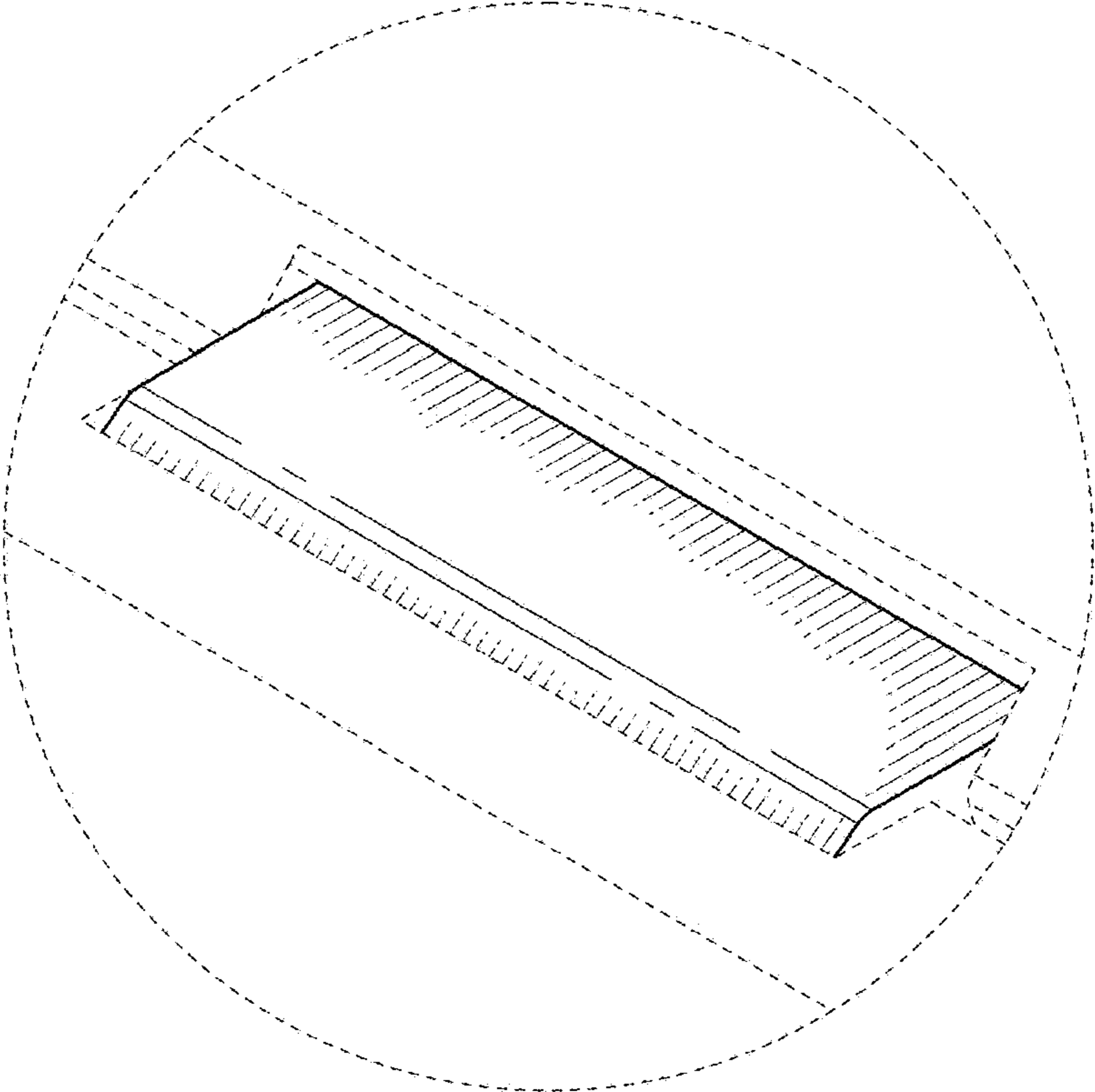


FIG. 10

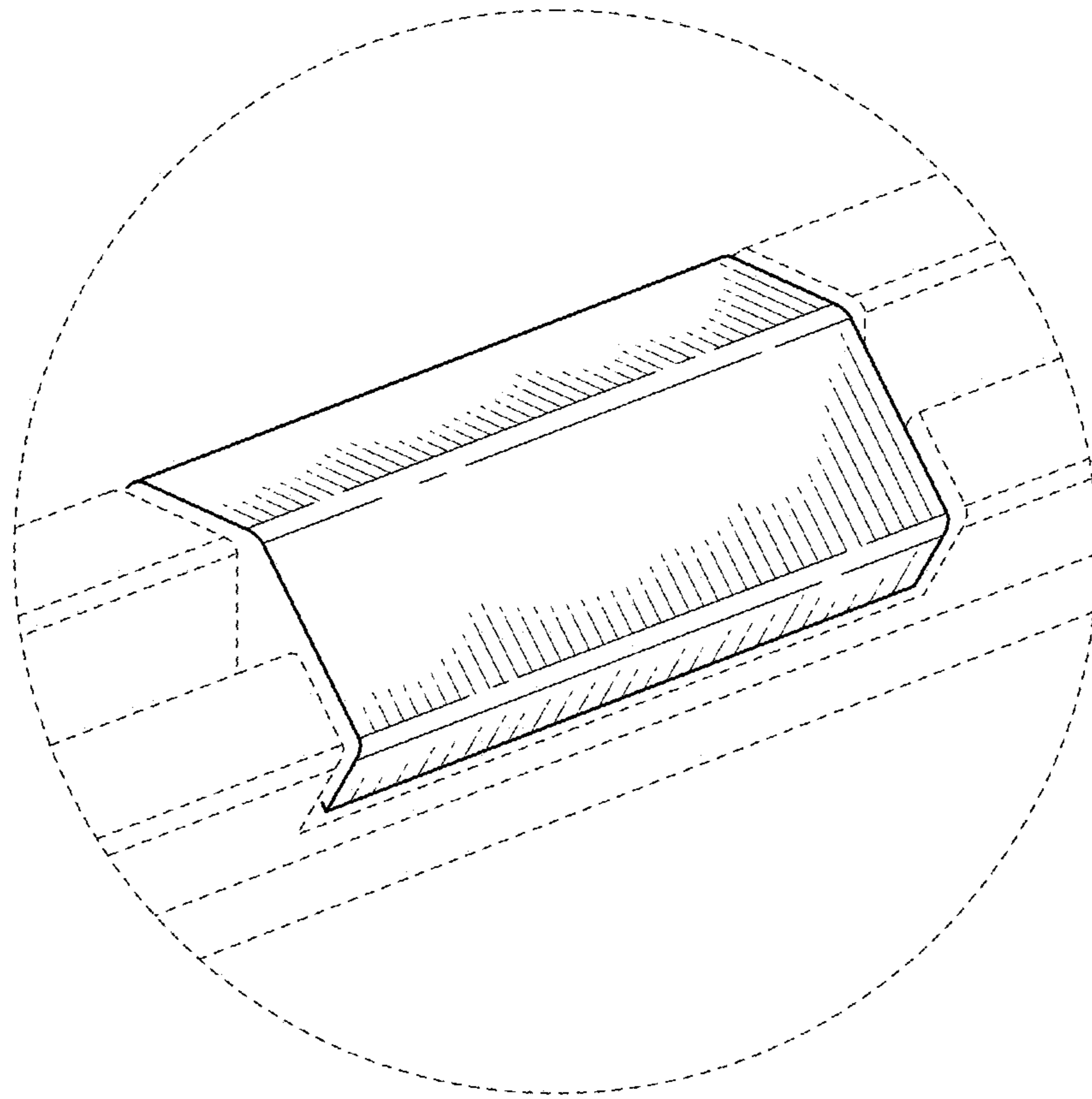


FIG. 11