



US00D912040S

(12) **United States Design Patent** (10) **Patent No.:** **US D912,040 S**
Berini (45) **Date of Patent:** **** *Mar. 2, 2021**

- (54) **KIOSK**
- (71) Applicant: **NextgenID, Inc.**, San Antonio, TX (US)
- (72) Inventor: **Dario John Berini**, Ashburn, VA (US)
- (73) Assignee: **NextgenID, Inc.**, Herndon, VA (US)

6,694,433 B1 2/2004 Kolouch
 7,079,653 B2 7/2006 Scheidt
 7,095,852 B2 8/2006 Wack
 7,212,632 B2 5/2007 Scheidt
 7,278,026 B2 10/2007 McGowan
 (Continued)

- (*) Notice: This patent is subject to a terminal disclaimer.
- (**) Term: **15 Years**

FOREIGN PATENT DOCUMENTS
 EP 1744264 A2 1/2007

- (21) Appl. No.: **29/665,201**
- (22) Filed: **Oct. 1, 2018**

OTHER PUBLICATIONS
 "CBES Multimodal Biometric Enrollment Station." 3M Cogent, Inc. [online], [retrieved on Dec. 11, 2012]. Retrieved from the Internet: <URL: http://www.cogentsystems.com/downloads/CBES_sm.pdf>.
 (Continued)

Related U.S. Application Data

- (60) Division of application No. 29/641,115, filed on Mar. 20, 2018, now Pat. No. Des. 829,706, which is a continuation of application No. 29/553,500, filed on Feb. 2, 2016, now Pat. No. Des. 815,628, which is a division of application No. 29/487,801, filed on Apr. 11, 2014, now Pat. No. Des. 751,061.

Primary Examiner — Austin Murphy
 (74) Attorney, Agent, or Firm — Shami Messinger, PLLC

- (51) **LOC (13) Cl.** **14-02**
- (52) **U.S. Cl.**
USPC **D14/307**

(57) **CLAIM**

The ornamental design for kiosk, as shown and described.

- (58) **Field of Classification Search**
USPC D14/302–307, 900–902; D13/163; D20/10; D21/332, 325, 369, 370; D99/28; D6/397, 466; 194/206; 361/679.01, 679.02, 679.04, 679.21, 361/679.57, 725
CPC G06Q 20/18; G06Q 20/10; G06Q 20/123; G06Q 20/20; G06Q 30/02; G06Q 30/06; A47F 9/047

DESCRIPTION

FIG. 1 is a perspective view of a kiosk showing our new design.
 FIG. 2 is a front elevation view of the kiosk of FIG. 1.
 FIG. 3 is a back elevation view of the kiosk of FIG. 1.
 FIG. 4 is a first side elevation view of the kiosk of FIG. 1.
 FIG. 5 is a second side elevation view of the kiosk of FIG. 1.
 FIG. 6 is a top plan view of the kiosk of FIG. 1; and, FIG. 7 is a bottom plan view of the kiosk of FIG. 1.
 The portions of the drawings shown in broken lines represent environmental structure and form no part of the claimed design.

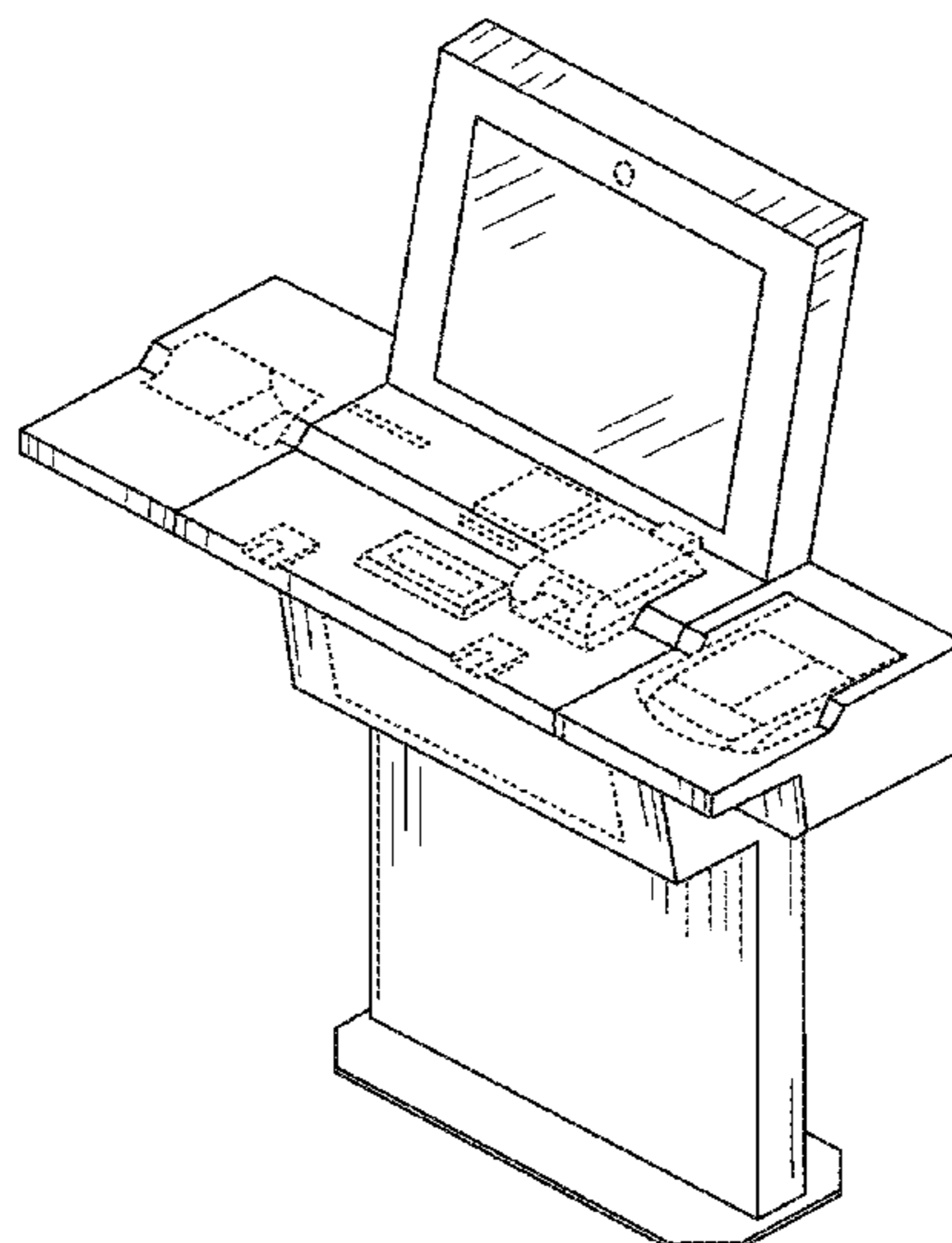
See application file for complete search history.

- (56) **References Cited**

U.S. PATENT DOCUMENTS

5,375,168 A 12/1994 Kudelski
 D366,975 S 2/1996 Kaga

1 Claim, 5 Drawing Sheets



(56)

References Cited

U.S. PATENT DOCUMENTS

D565,044 S 3/2008 Witts
D590,387 S 4/2009 Chen
D605,189 S 12/2009 Kuroda
D605,190 S 12/2009 Kuroda
D605,191 S 12/2009 Kuroda
7,738,660 B2 6/2010 Scheidt
7,817,800 B2 10/2010 Wack
D625,305 S 12/2010 Bleck
D628,742 S 12/2010 Hsu
D629,585 S 12/2010 Bleck
D637,595 S 5/2011 Mizusugi
7,974,410 B2 7/2011 Scheidt
8,077,870 B2 12/2011 Wack
D661,293 S 6/2012 Kuroda
D675,607 S 2/2013 Ono
D676,038 S 2/2013 Masuda
D691,141 S 10/2013 Cruz
D692,885 S 11/2013 Cruz
D695,285 S 12/2013 Smith
D701,860 S 4/2014 Daniel
D702,415 S 4/2014 Kimoto
D702,675 S 4/2014 Jones
D703,670 S 4/2014 Rotsaert
D707,674 S 6/2014 Daniel
D707,676 S 6/2014 Azuma
D707,677 S 6/2014 Azuma
D708,676 S 7/2014 Ballman
D717,785 S 11/2014 Winston
D721,696 S 1/2015 Birgeoglu
D723,025 S 2/2015 Birgeoglu
D723,538 S 3/2015 Catoe
D727,307 S 4/2015 Kraft
D727,308 S 4/2015 Kraft
D732,520 S 6/2015 Themann
D732,522 S 6/2015 Chadbourne
D734,315 S 7/2015 Masuda
D734,316 S 7/2015 Alvarez
D742,870 S * 11/2015 Berini G07C 9/257
D14/307
9,256,720 B2 * 2/2016 Berini G06K 9/00604
D751,061 S * 3/2016 Berini D14/307
D760,711 S * 7/2016 Berini D14/307
D762,635 S 8/2016 Szeredi
D774,030 S 12/2016 Hoover
D778,276 S * 2/2017 Berini D14/307
D788,098 S 5/2017 Thornton
D799,471 S 10/2017 Brown
D811,381 S 2/2018 Morohoshi
D815,628 S * 4/2018 Berini D14/307
D816,077 S 4/2018 Benic
D818,464 S * 5/2018 Berini D14/307
D829,706 S * 10/2018 Berini D14/307

D840,390 S * 2/2019 Mangeot D14/307
D848,414 S * 5/2019 Gardens D14/307
D854,538 S * 7/2019 Szeredi D14/307
D858,512 S * 9/2019 Angelopoulos D14/307
2005/0229007 A1 10/2005 Bolle
2009/0034803 A1 2/2009 Matos
2009/0289104 A1 11/2009 Yoneda
2010/0290668 A1 11/2010 Friedman
2011/0178930 A1 7/2011 Scheidt
2011/0192681 A1 8/2011 Johnson
2012/0293642 A1 11/2012 Berini
2013/0215275 A1 8/2013 Berini
2013/0226632 A1 8/2013 Gilbert

OTHER PUBLICATIONS

“Law Enforcement Product Overview.” 3M Cogent, Inc. [online], [retrieved on Dec. 11, 2012]. Retrieved from the Internet: <URL: http://www.cogentsystems.com/downloads/LE_Overview.pdf>.
“VB E-PASS® Kiosk” Vision-Box [online], [retrieved on Dec. 11, 2012]. Retrieved from the Internet: <URL: <http://www.vision-box.com/solutions/vbepass/>>.
“VB E-PASS® Desktop” Vision-Box [online], [retrieved on Dec. 11, 2012]. Retrieved from the Internet: <URL: <http://www.vision-box.com/solutions/vbepassdesktop/>>.
“VB E-PASS® Portable” Vision-Box [online], [retrieved on Dec. 11, 2012]. Retrieved from the Internet: <URL: <http://www.vision-box.com/solutions/mobile-vbepass/>>.
“VB E-PASS® Dispenser” Vision-Box [online], [retrieved on Dec. 11, 2012]. Retrieved from the Internet <URL: <http://www.vision-box.com/solutions/vb-i-dispenser/>>.
“VB I-Match” Vision-Box [online], [retrieved on Dec. 11, 2012]. Retrieved from the Internet: <URL: <http://www.vision-box.com/solutions/vb-i-match/>>.
“VB Sentryspider” Vision-Box [online], [retrieved on Dec. 11, 2012]. Retrieved from the Internet: <URL: <http://www.vision-box.com/solutions/vb-sentryspider/>>.
International Search Report dated Nov. 23, 2012 which issued in International Patent Application No. PCT/US2012/038675 (5 pages).
Written Opinion dated Nov. 23, 2012 which issued in International Patent Application No. PCT/US2012/038675 (5 pages).
“Verona Healthcare Kiosk”, Olea Kiosks, Inc., Product Brochure, Undated, retrieved at least as of Mar. 10, 2016 (2 pages).
“Self Service Kiosk”, MorphoTrust USA, Product Brochure, Sep. 2012 (4 pages).
“Sita Automated Passport Control Kiosks”, Presentation to the Greater Orlando Aviation Authority, by: John Powell on Sep. 21, 2013 (13 pages).
“Speed Capture Solution”, Global Enterprise Technologies Corp., Product Brochure, Undated, retrieved at least as of Mar. 14, 2016 (2 pages).

* cited by examiner

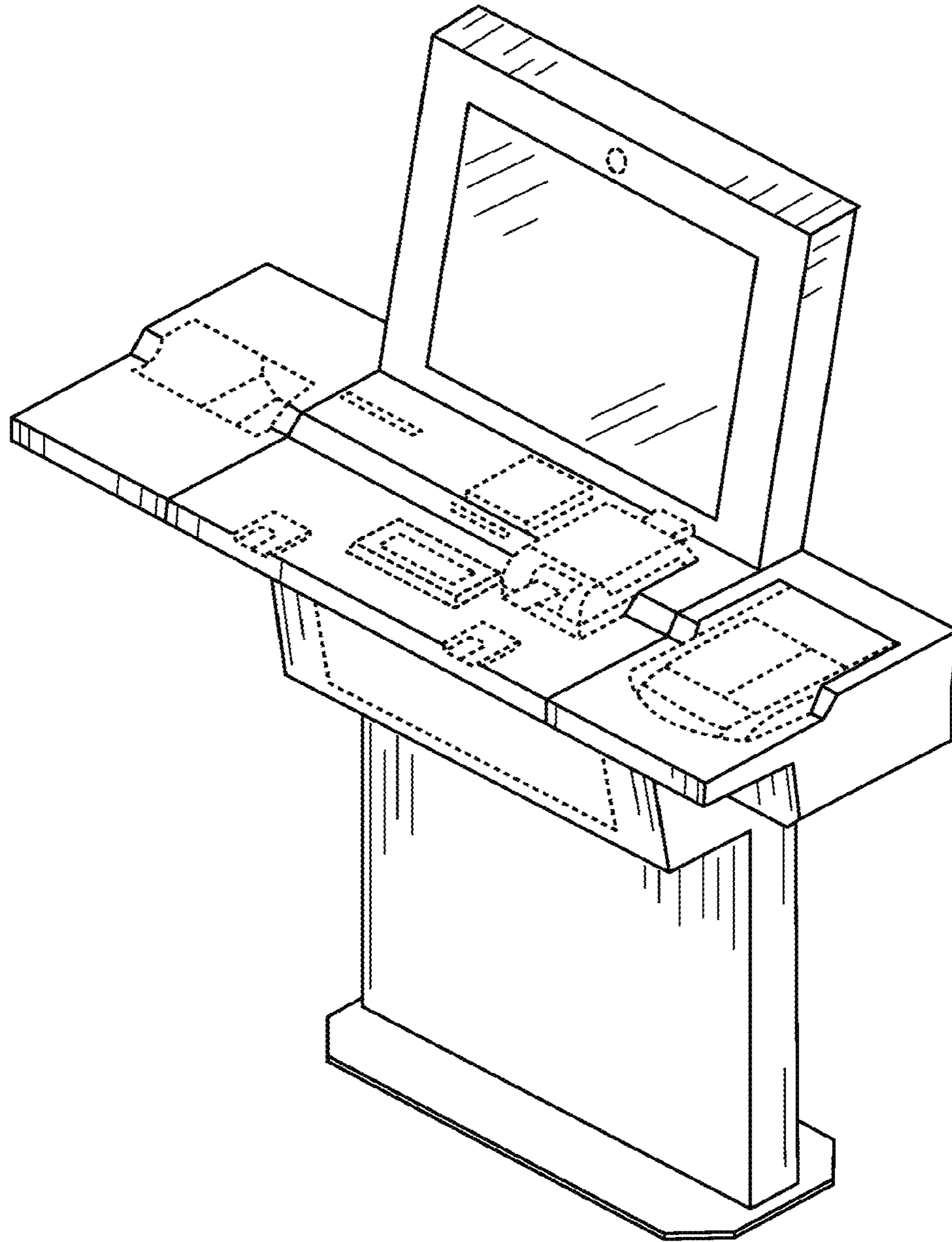


FIG. 1

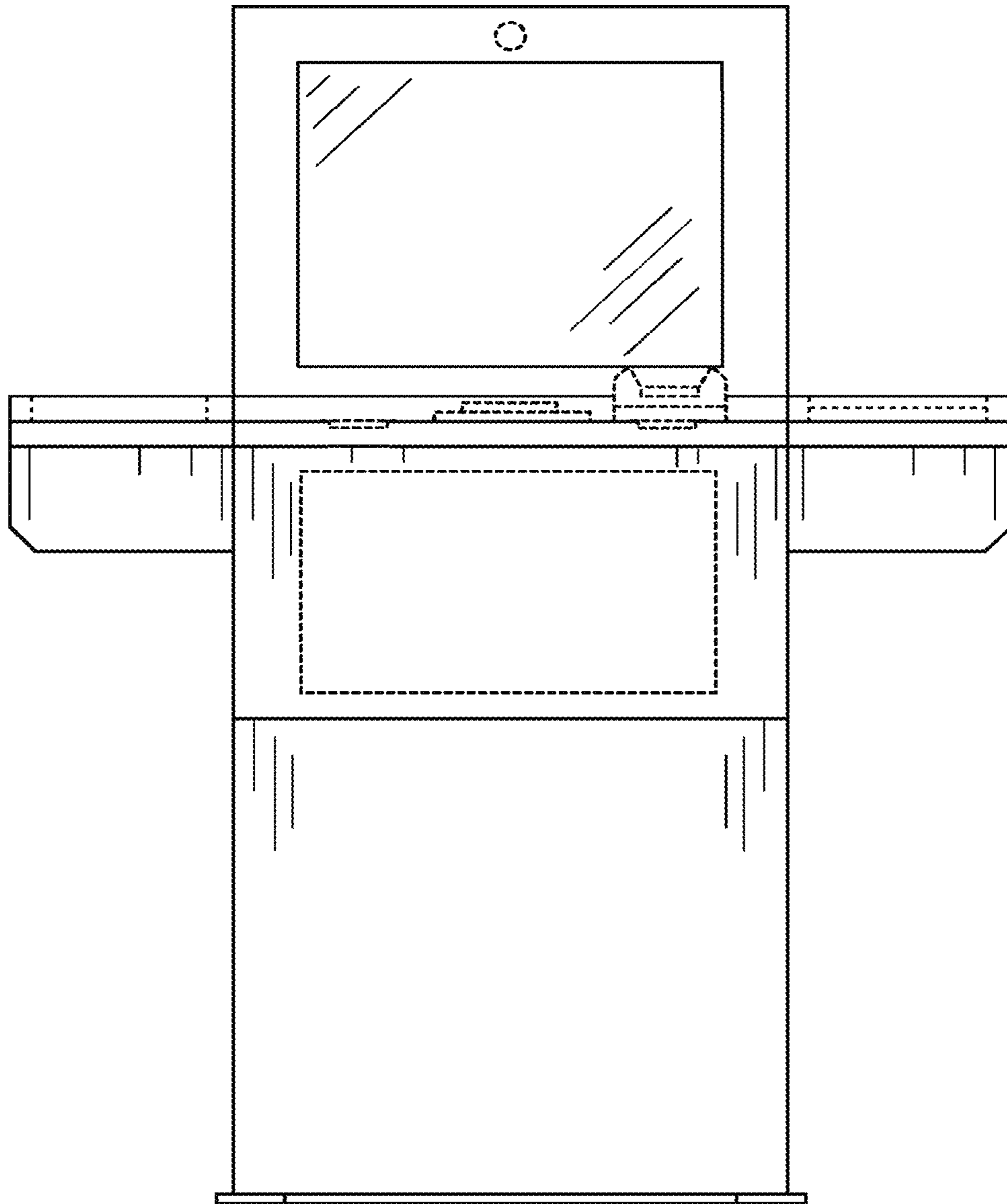


FIG. 2

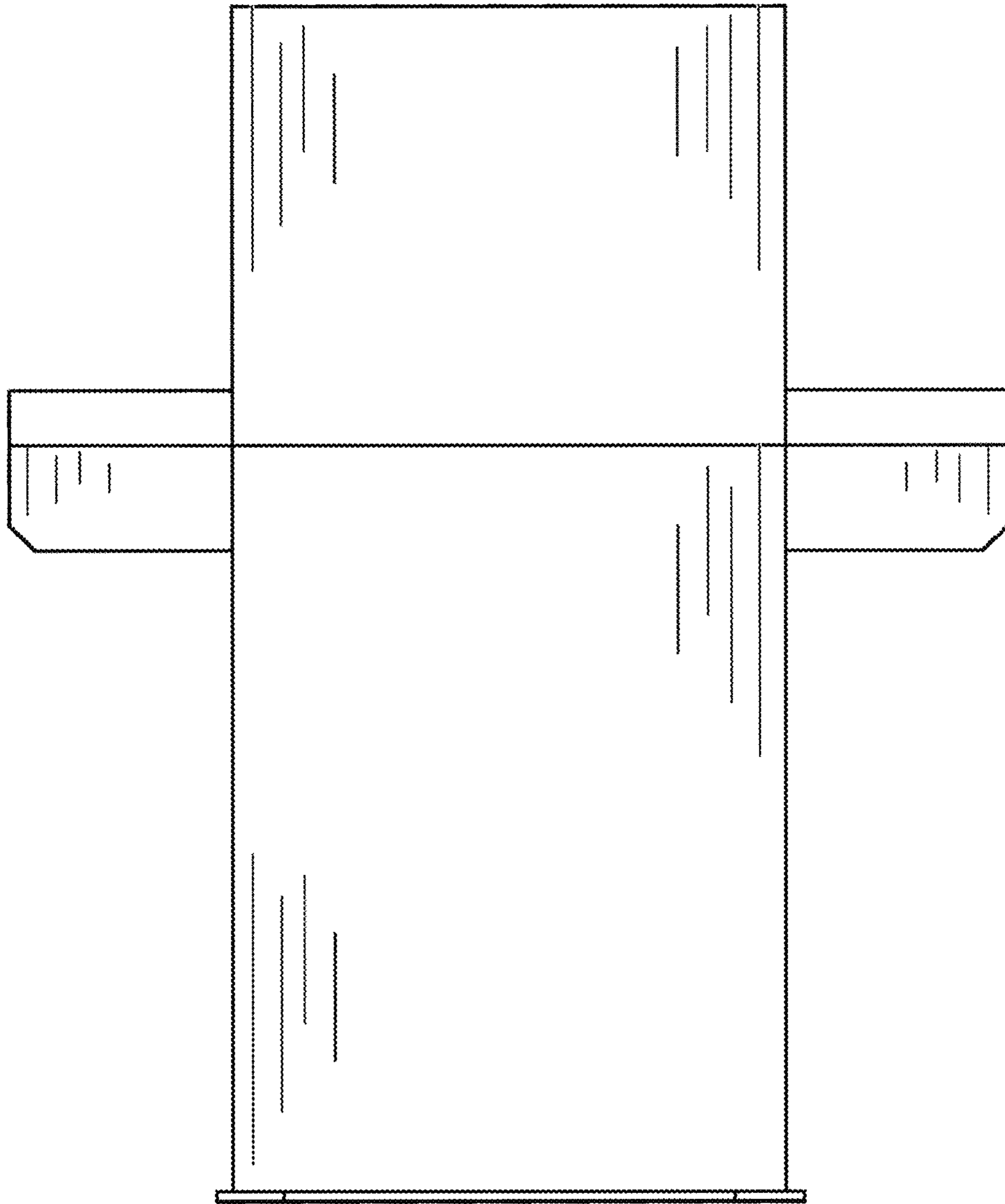


FIG. 3

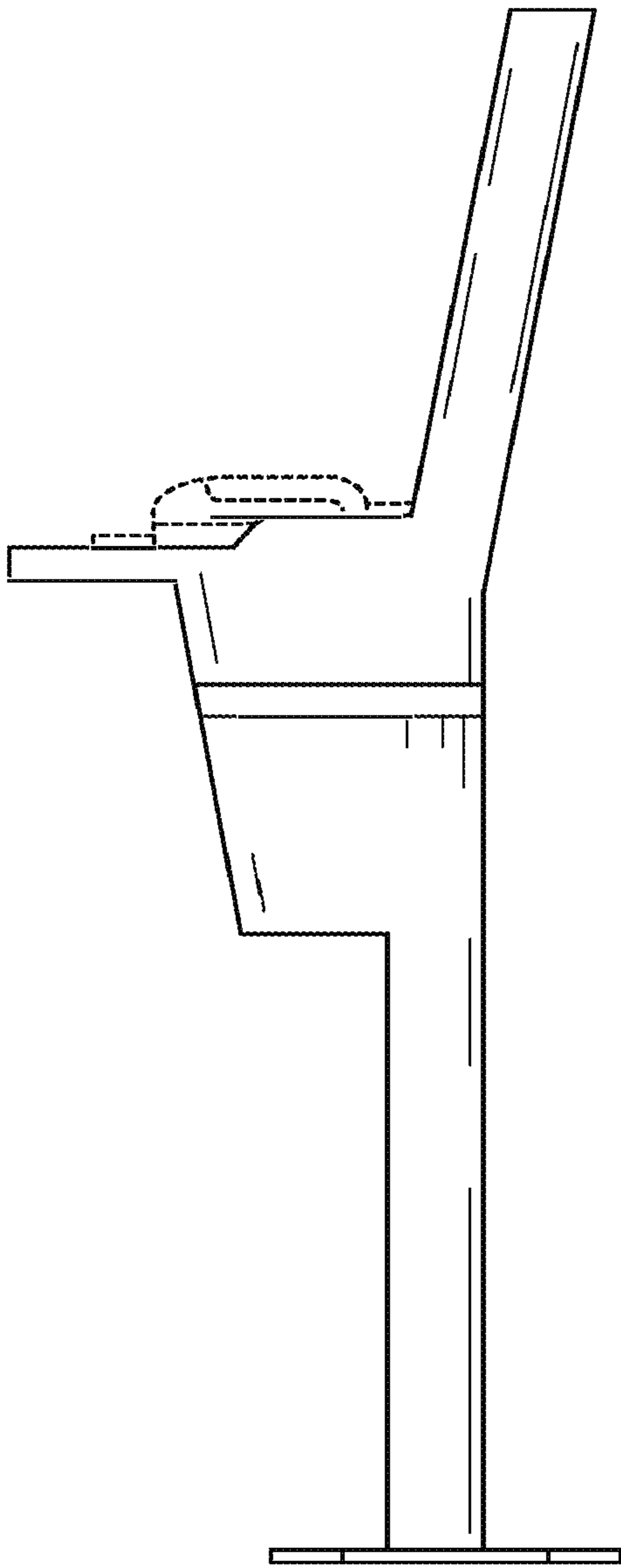


FIG. 4

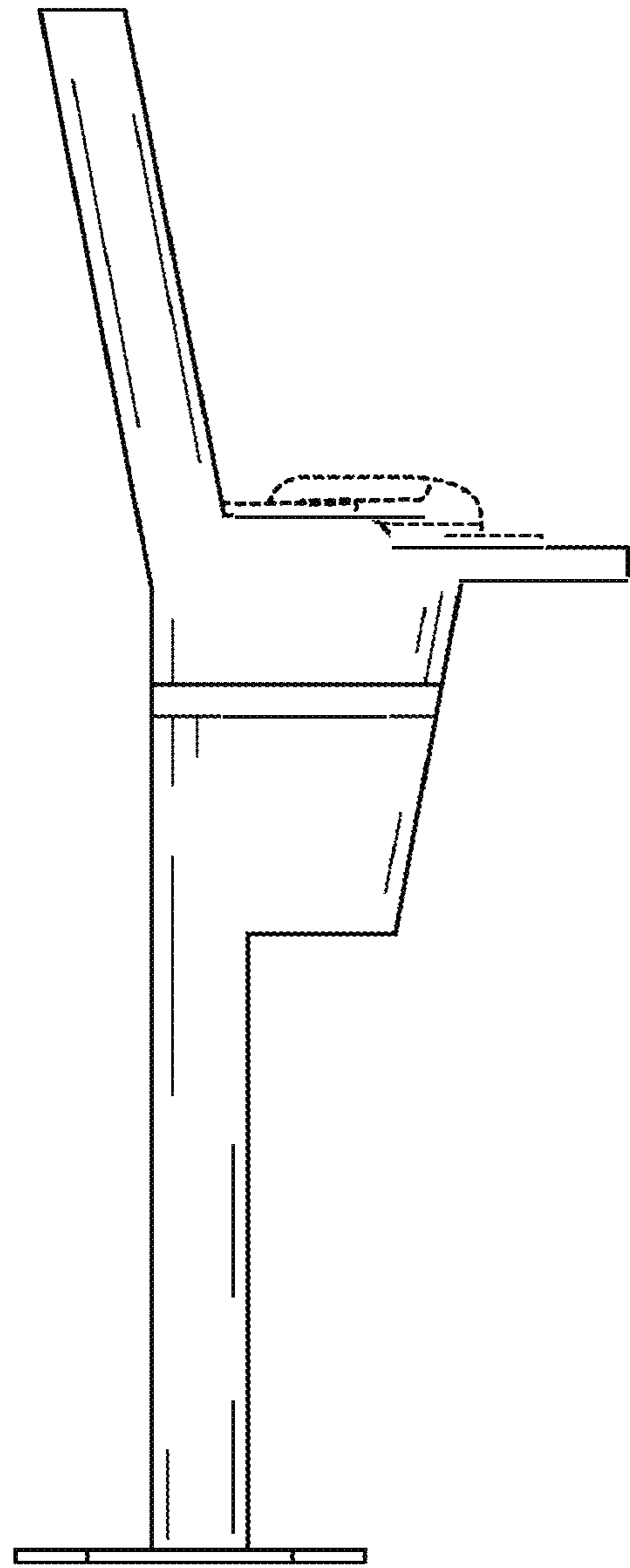


FIG. 5

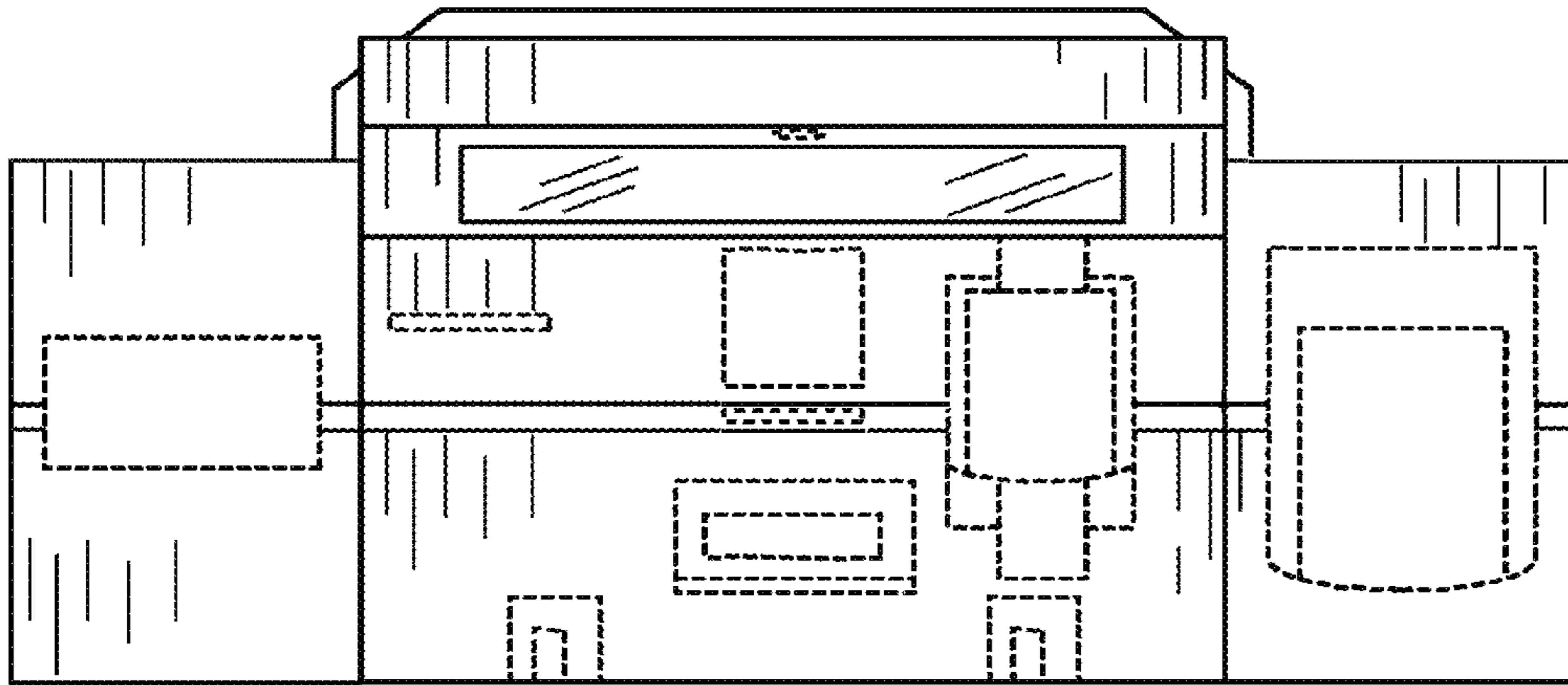


FIG. 6

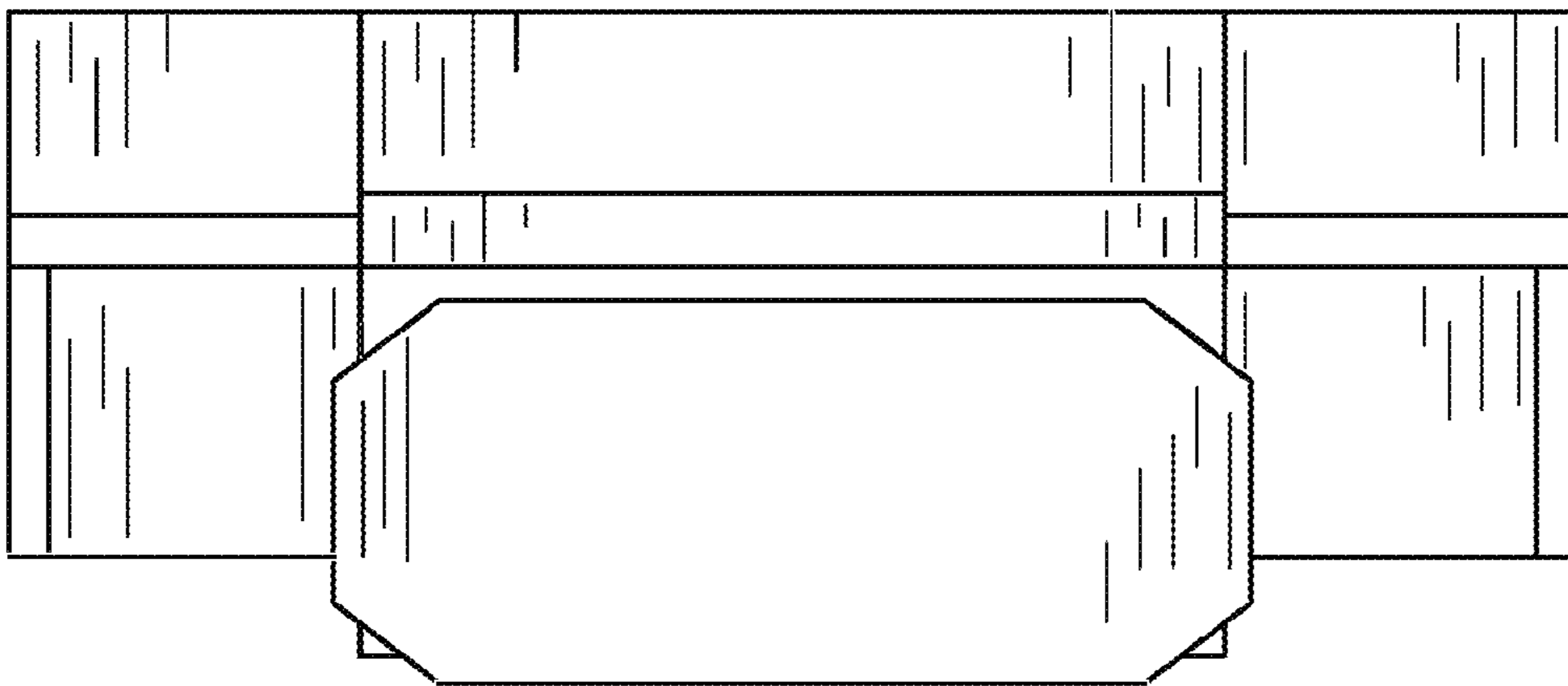


FIG. 7