



US00D912033S

(12) **United States Design Patent** (10) **Patent No.:** **US D912,033 S**
Kim et al. (45) **Date of Patent:** **** *Mar. 2, 2021**

- (54) **CASE FOR ELECTRONIC COMMUNICATIONS DEVICE**
- (71) Applicant: **SPIGEN KOREA CO., LTD.**, Seoul (KR)
- (72) Inventors: **Dae-Young Kim**, Seoul (KR); **Eun Hee Koo**, Seoul (KR)
- (73) Assignee: **SPIGEN KOREA CO., LTD.**, Seoul (KR)
- (*) Notice: This patent is subject to a terminal disclaimer.
- (**) Term: **15 Years**
- (21) Appl. No.: **29/585,486**
- (22) Filed: **Nov. 23, 2016**

Related U.S. Application Data

- (63) Continuation-in-part of application No. 29/575,462, filed on Aug. 25, 2016, now Pat. No. Des. 892,783.
- (51) **LOC (13) Cl.** **14-03**
- (52) **U.S. Cl.**
USPC **D14/250**
- (58) **Field of Classification Search**
USPC D14/248, 439, 203.3–203.7, 217, 240, D14/447, 250, 251–253, 238.1, 440;
(Continued)

References Cited

U.S. PATENT DOCUMENTS

- D619,361 S 7/2010 Andre et al.
- D624,064 S * 9/2010 Esposito D14/250
(Continued)

OTHER PUBLICATIONS

“iPhone 6 Case, Verus [Damda Slide][Dark Silver]—[Wallet Card Slot][Heavy Duty Protection] for Apple iPhone 6 4.7”, <https://www.amazon.com/dp/B01EO2PE1O>, Earliest review date of May 24, 2016.

(Continued)

Primary Examiner — Carla J Wright
(74) *Attorney, Agent, or Firm* — Heedong Chae; Lucem, PC

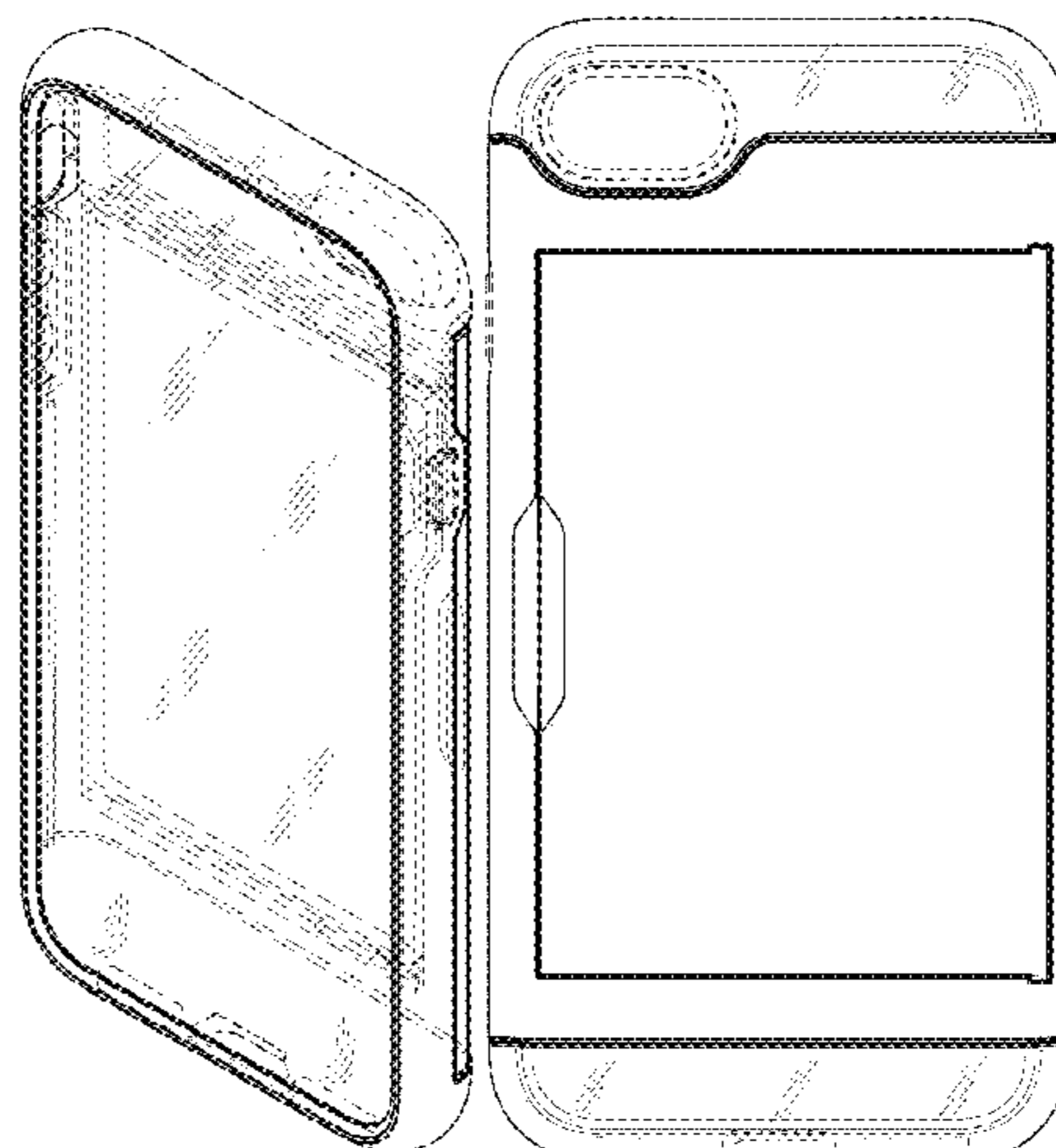
(57) **CLAIM**

The ornamental design for a case for electronic communications device, as shown and described.

DESCRIPTION

FIG. 1 is a front perspective view of a case for electronic communications device showing our new design; FIG. 2 is a rear perspective view thereof; FIG. 3 is a front elevational view thereof; FIG. 4 is a rear elevational view thereof; FIG. 5 is a left side elevational view thereof; FIG. 6 is a right side elevational view thereof; FIG. 7 is a top plan view thereof; FIG. 8 is a bottom plan view thereof; FIG. 9 is an exploded front perspective view thereof showing the components of the case separated for clarity of disclosure; FIG. 10 is an exploded rear perspective view thereof showing the components of the case separated for clarity of disclosure; FIG. 11 is a front perspective view showing the transparent inner shell component of the case in isolation for clarity of disclosure; FIG. 12 is a rear perspective view showing the transparent inner shell component of the case in isolation for clarity of disclosure; FIG. 13 is a front perspective view showing the outer frame component of the case in isolation for clarity of disclosure; FIG. 14 is a rear perspective view showing the outer frame component of the case in isolation for clarity of disclosure; FIG. 15 is a front perspective view of the storage compartment cover component of the case in isolation for clarity of disclosure; FIG. 16 is a rear perspective view showing the storage compartment cover component of the case in isolation for clarity of disclosure; and, FIG. 17 is a rear perspective view of the case for electronic communications device showing the storage compartment cover in an open position.

(Continued)



Although the case for electronic communications device, in which the claimed design is embodied, has a transparent inner shell component, an outer frame, and a storage compartment cover, the claim is directed to the ornamental appearance of the case for electronic communications device in its entirety and does not extend to the ornamental appearance of each of the individual components of the case for electronic communications device.

The broken lines throughout the drawing figures depict portions of the case for electronic communications device that form no part of the claimed design. The broken lines and regions bounded by broken lines form no part of the claimed design.

1 Claim, 17 Drawing Sheets

(58) **Field of Classification Search**

USPC D3/201, 218, 247, 269, 273, 301, 303;
D13/103, 107–108, 119
CPC H04B 1/3888; H04M 1/0283; H04M
1/0202; A45C 1/06; A45C 2011/002;
A45C 11/00; A45C 13/02; A45F
2005/026; A45F 2200/0525; A45F
2200/0516

See application file for complete search history.

(56) **References Cited**

U.S. PATENT DOCUMENTS

D631,246 S * 1/2011 Boettner D3/203.2
D646,265 S 10/2011 Fathollahi
D650,371 S 12/2011 Wibby et al.
D651,791 S * 1/2012 Cataldo D3/218
D655,281 S 3/2012 Turocy
D656,495 S 3/2012 Andre et al.
D663,263 S 7/2012 Gupta et al.
D681,615 S 5/2013 Fathollahi
D682,196 S 5/2013 Leung
D688,654 S * 8/2013 Stevinson D14/250
D688,655 S 8/2013 Rey-Hipolito et al.
8,504,127 B2 8/2013 Altschul et al.
8,517,172 B1 8/2013 Chang
D703,650 S 4/2014 Ehrlich
D703,651 S 4/2014 Ehrlich
D705,764 S * 5/2014 Thoni D14/250
8,726,952 B2 5/2014 Jambunathan et al.
D707,965 S 7/2014 Requa
D712,890 S * 9/2014 McCormac D14/250
D712,891 S * 9/2014 Fathollahi D14/250
D716,045 S 10/2014 Requa
D723,532 S 3/2015 Stevinson
D723,533 S * 3/2015 Stevinson D14/250
8,971,975 B2 3/2015 Ramies et al.
9,049,283 B1 6/2015 Kim
D741,845 S 10/2015 Kim
D743,931 S 11/2015 Hubbard et al.

D746,275 S 12/2015 Mohammad
9,241,551 B2 1/2016 Lawson et al.
D749,068 S 2/2016 Zaborski et al.
D749,557 S 2/2016 Feng
D753,099 S 4/2016 Kim
D756,911 S 5/2016 Gupta et al.
D759,004 S * 6/2016 Stevinson D14/250
D759,966 S 6/2016 Pignotti
D763,841 S 8/2016 Kim
D765,069 S * 8/2016 Jeffrey D14/250
D772,209 S 11/2016 Kim et al.
D776,101 S * 1/2017 Poon D14/250
D776,646 S * 1/2017 Deng D14/250
D776,649 S 1/2017 Kim
D780,163 S * 2/2017 Fathollahi D14/250
D781,836 S * 3/2017 Kim D14/250
D781,837 S * 3/2017 Kim D14/250
9,661,116 B1 * 5/2017 Chung A45C 11/00
D796,497 S * 9/2017 Kim D14/250
2013/0095898 A1 * 4/2013 Altschul H04M 1/0283
455/575.8
2015/0365122 A1 * 12/2015 Kim H04M 1/21
455/575.8
2016/0113368 A1 * 4/2016 Tu H04B 1/3888
206/45.23
2016/0269516 A1 * 9/2016 Kim H04M 1/04
2017/0086557 A1 * 3/2017 Choi A45C 15/00
2017/0163306 A1 * 6/2017 Armstrong H04B 1/3888

OTHER PUBLICATIONS

“Galaxy Note 4 Case, Verus [Damda Slide][Dark Silver]—[Wallet Card Slot][Heavy Duty Protection] For Samsung Note 4”, <https://www.amazon.com/dp/B00MJE610G>, Earliest review date of Oct. 18, 2014.
“Galaxy Note 5 Case, Verus [Damda Slide][Dark Silver]—[Wallet Card Slot][Heavy Duty Protection] For Samsung Note 5”, <https://www.amazon.com/dp/B00VN6E8KS>, Earliest review date of Aug. 24, 2015.
“Galaxy S6 Edge Case, Verus [Damda Slide][Dark Silver]—[Wallet Card Slot][Heavy Duty Protection] For Samsung galaxy s6 edge”, <https://www.amazon.com/dp/B00U0MDTEM>, Earliest review date of Apr. 2, 2015.
“Galaxy S6 Edge Plus Case, Verus [Damda Slide][Dark Silver]—[Wallet Card Slot][Heavy Duty Protection] For Samsung galaxy s6 plus”, <https://www.amazon.com/dp/B013F8CLK0>, Earliest review date of Aug. 29, 2015.
“iPhone 6 Plus Case, Verus [Damda Slide][Dark Silver]—[Wallet Card Slot][Heavy Duty] for Apple iPhone 6 Plus 5.5”, <https://www.amazon.com/dp/B01EO2P5H2>, Earliest review date of May 26, 2016.
“iPhone 6S Case, Verus [Damda Slide][Dark Silver]—[Wallet Card Slot][Heavy Duty Protection] for Apple iPhone 6 6s 4.7”, <https://www.amazon.com/dp/B00M9UBQ2A>, Earliest review date of Sep. 16, 2014.
“iPhone 6S Plus Case, Verus [Damda Slide][Dark Silver]—[Wallet Card Slot][Heavy Duty] for Apple iPhone 6 6s Plus 5.5”, <https://www.amazon.com/dp/B00NHZZ1ZY>, Earliest review date of Oct. 5, 2014.

* cited by examiner

FIG. 1

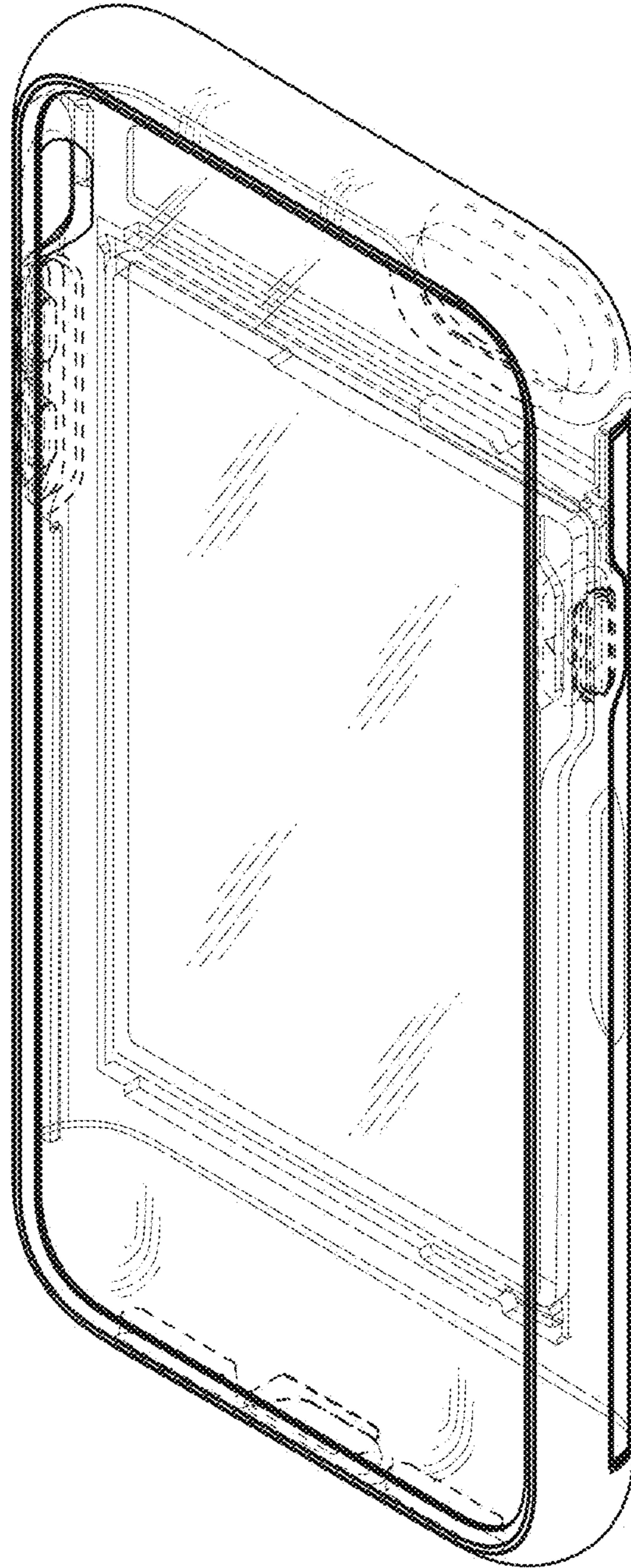


FIG. 2

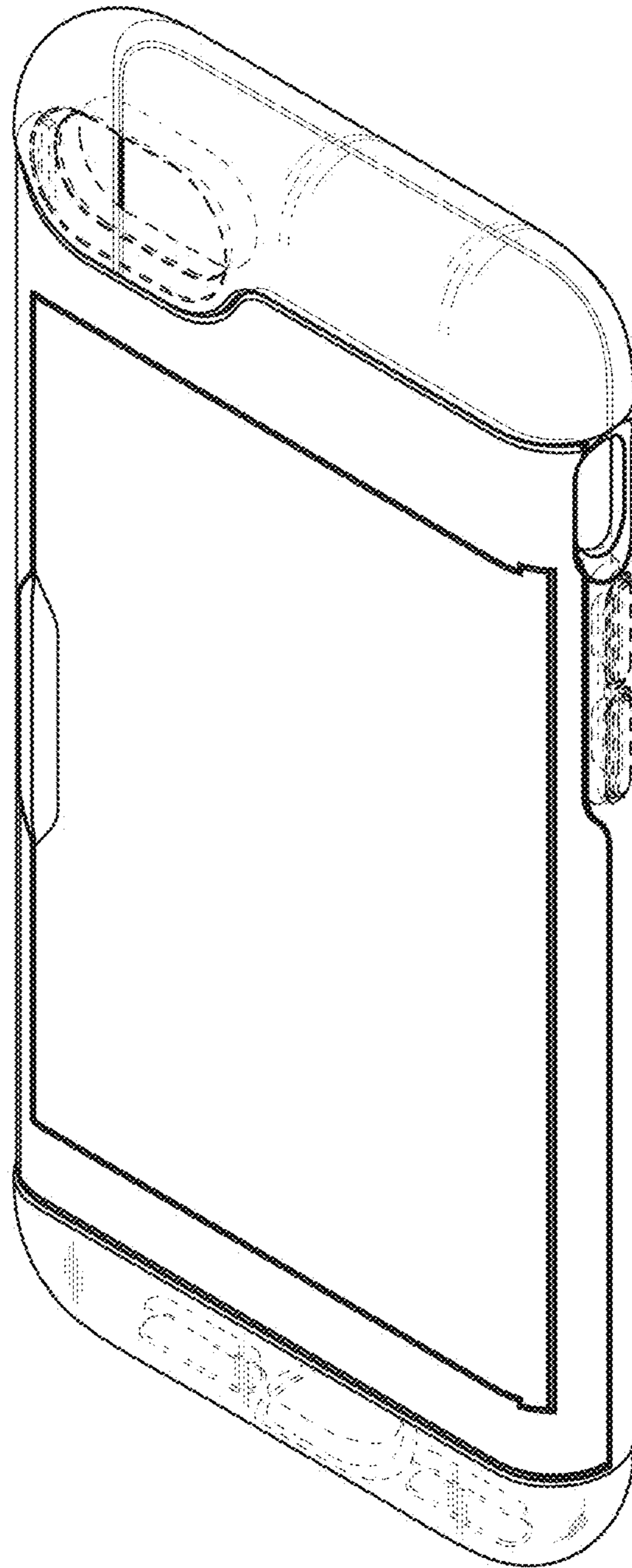


FIG. 3

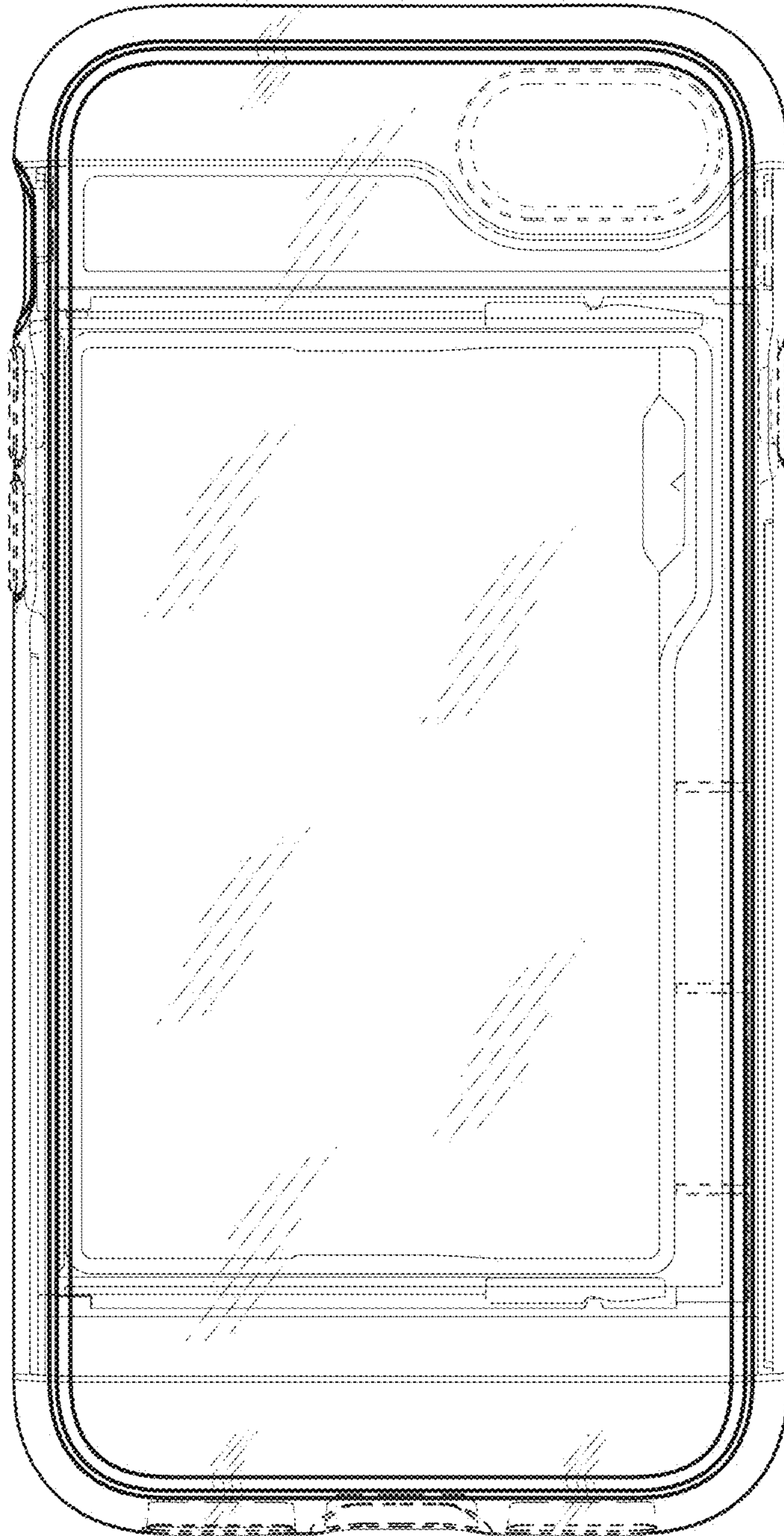


FIG. 4

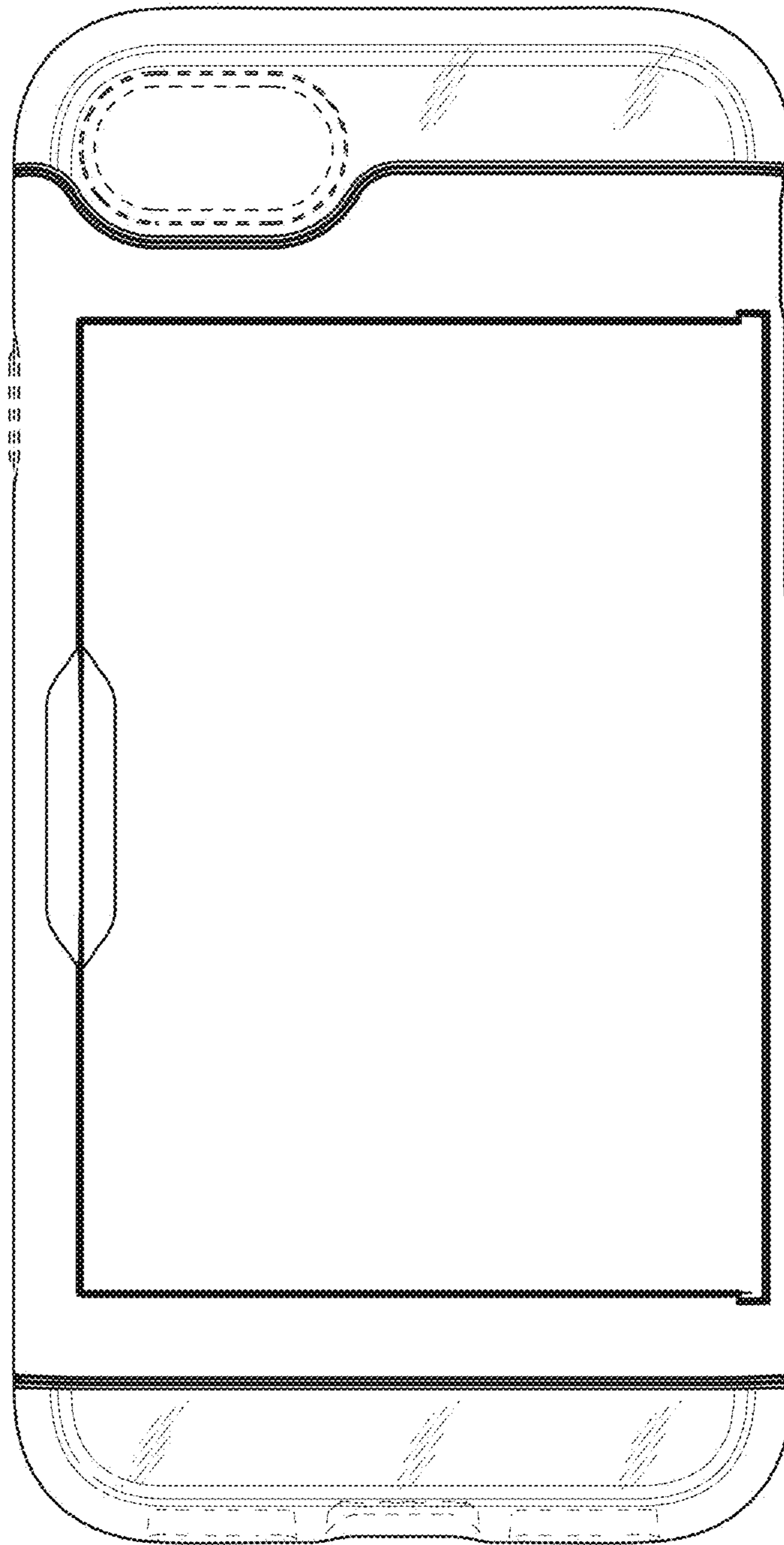


FIG. 5

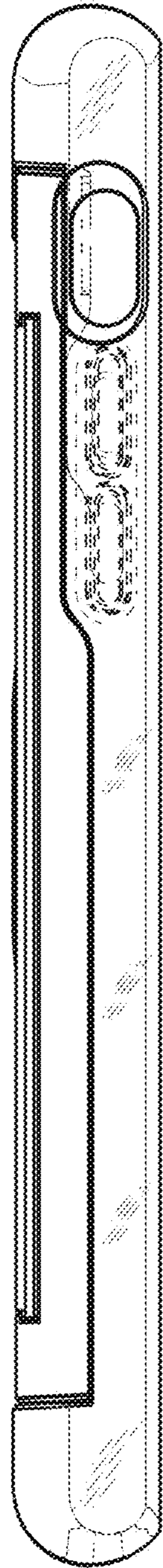


FIG. 6

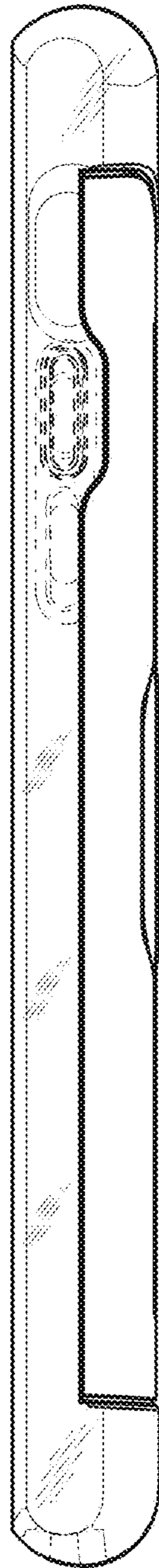


FIG. 7

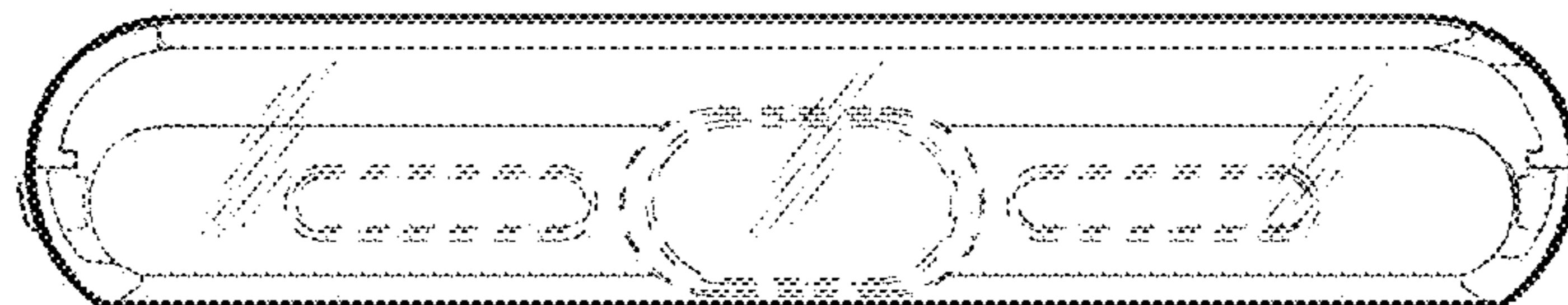


FIG. 8

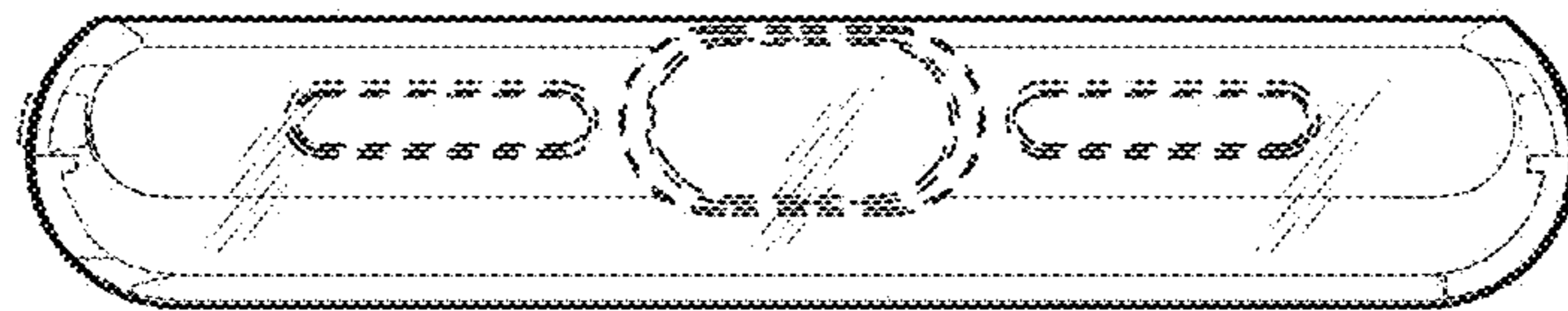


FIG. 9

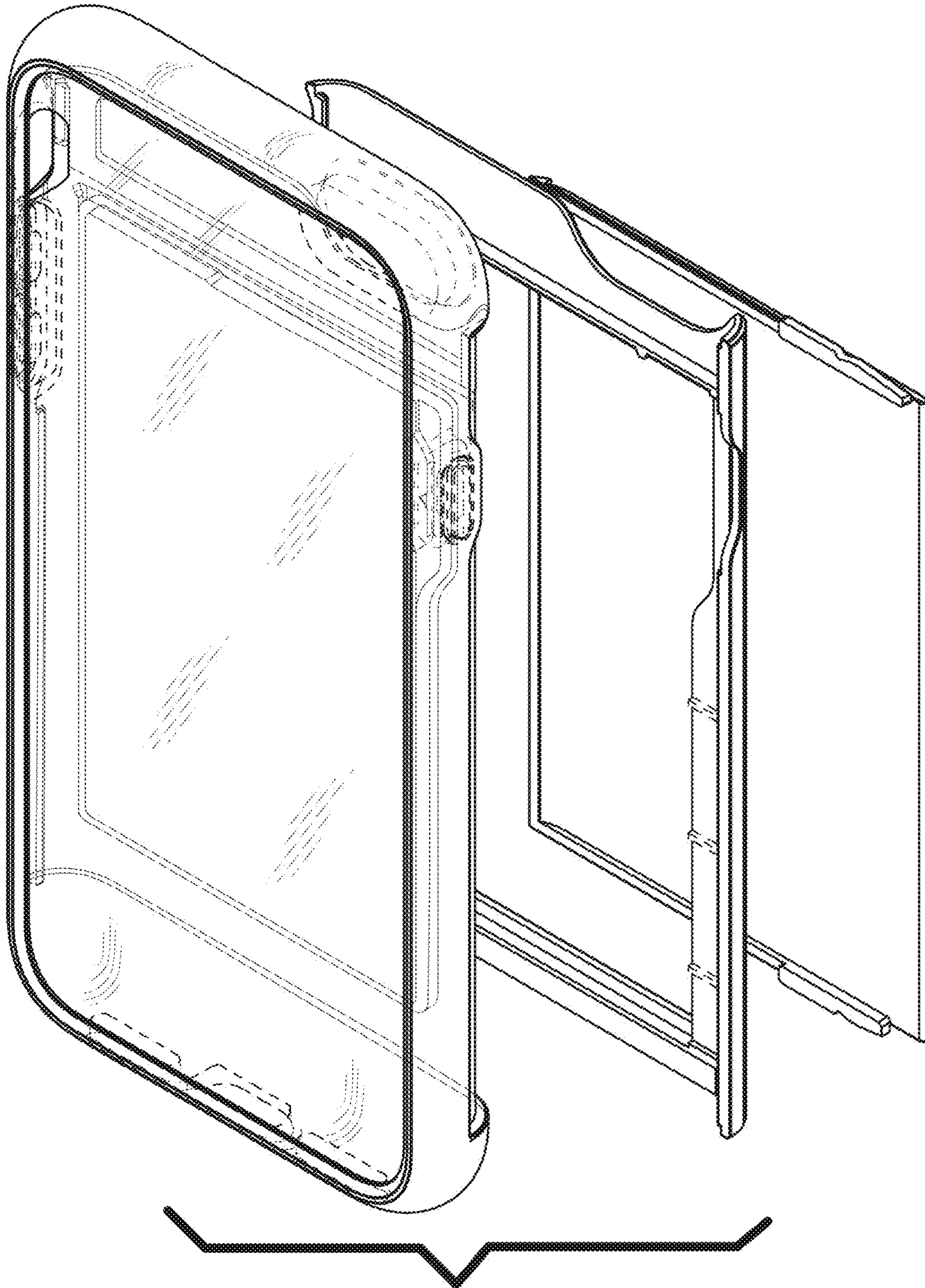


FIG. 10

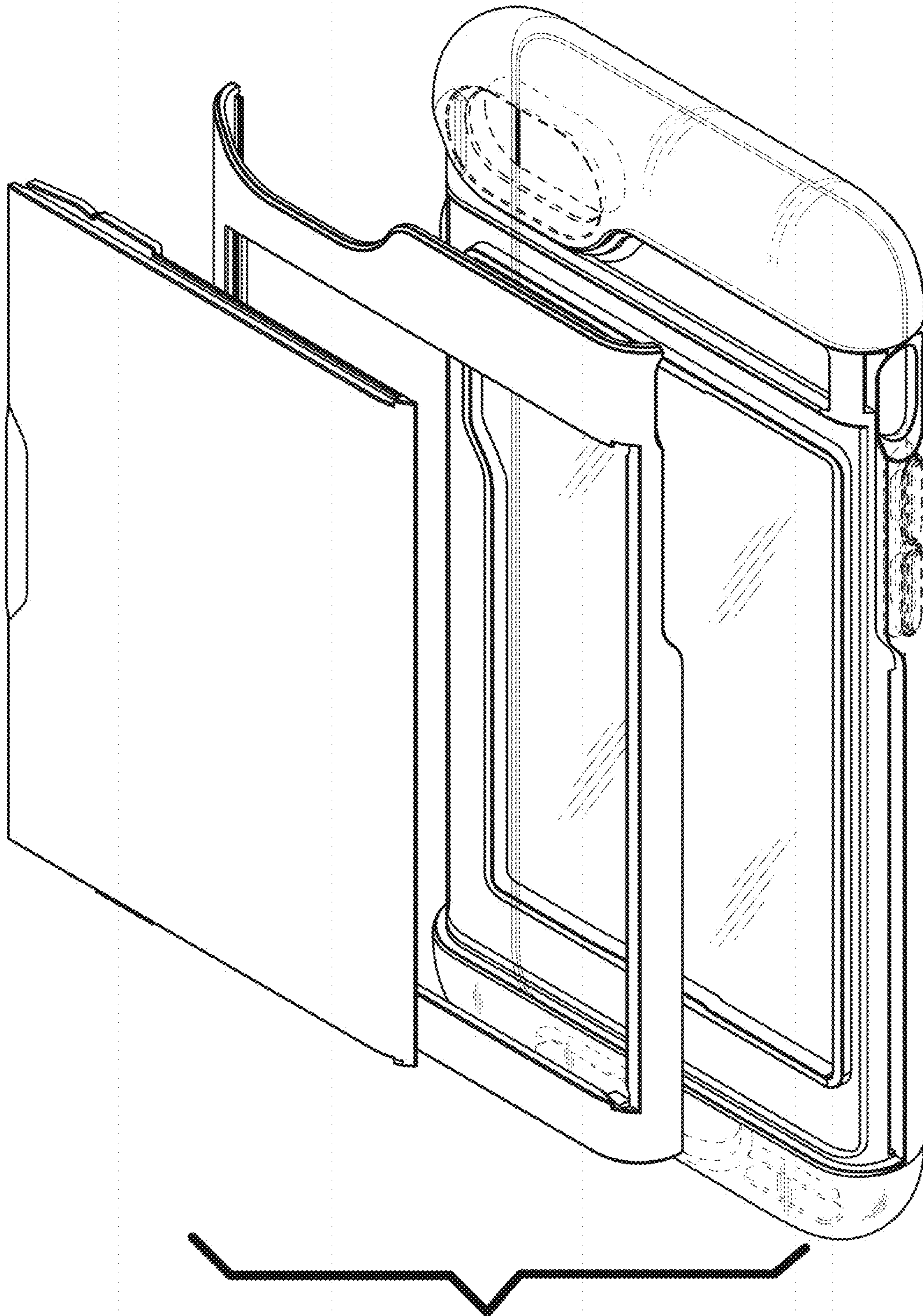


FIG. 11

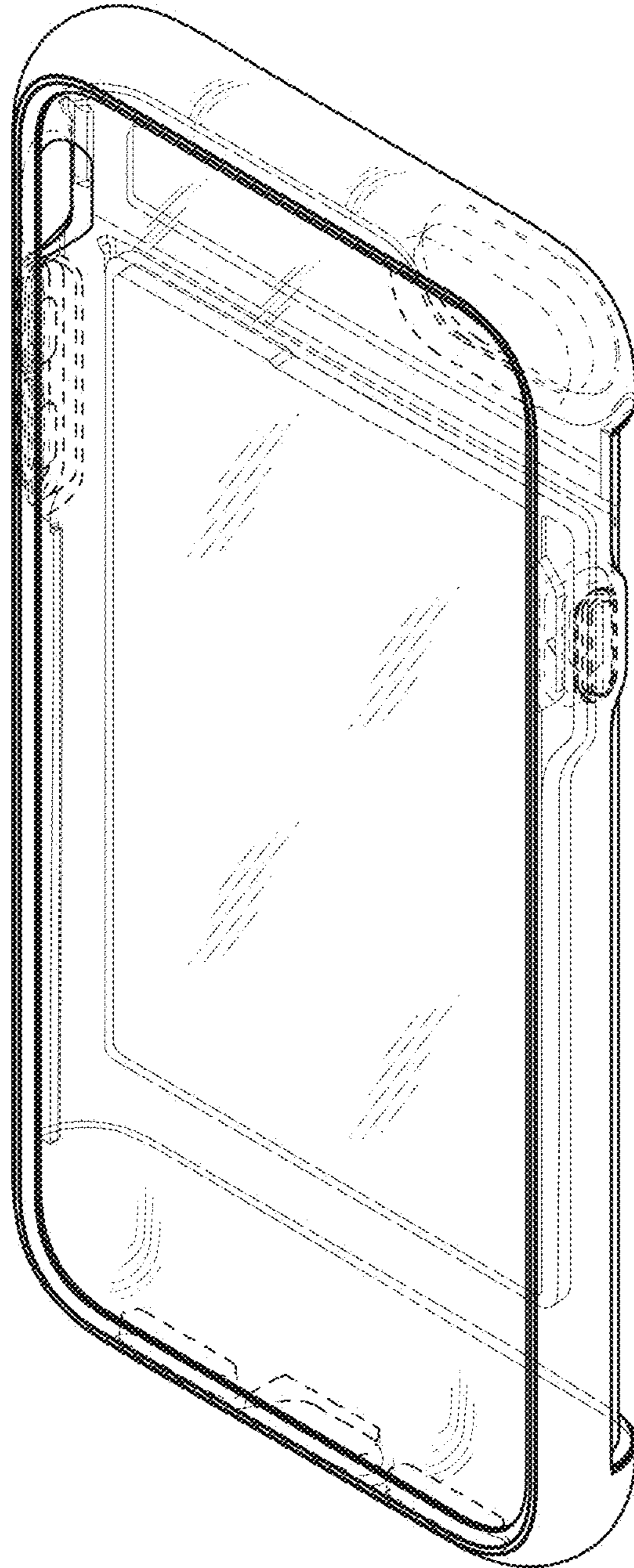


FIG. 12

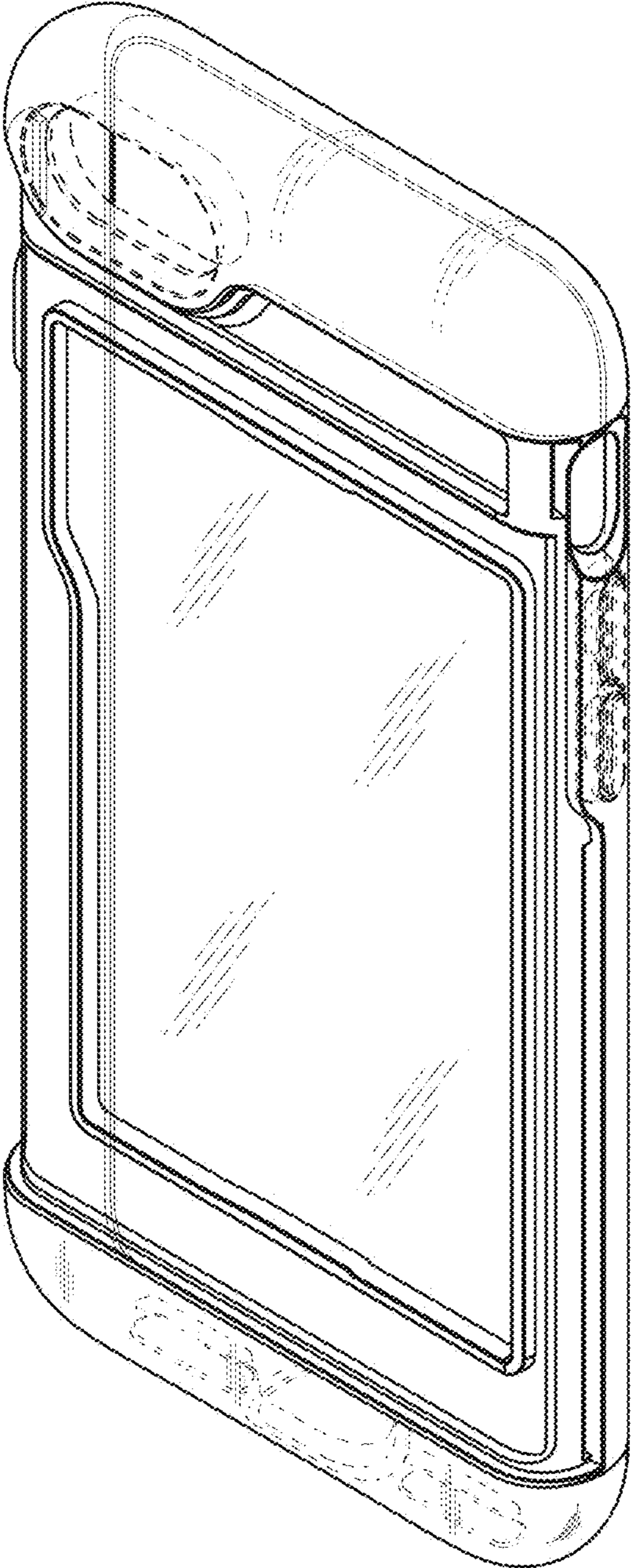


FIG. 13

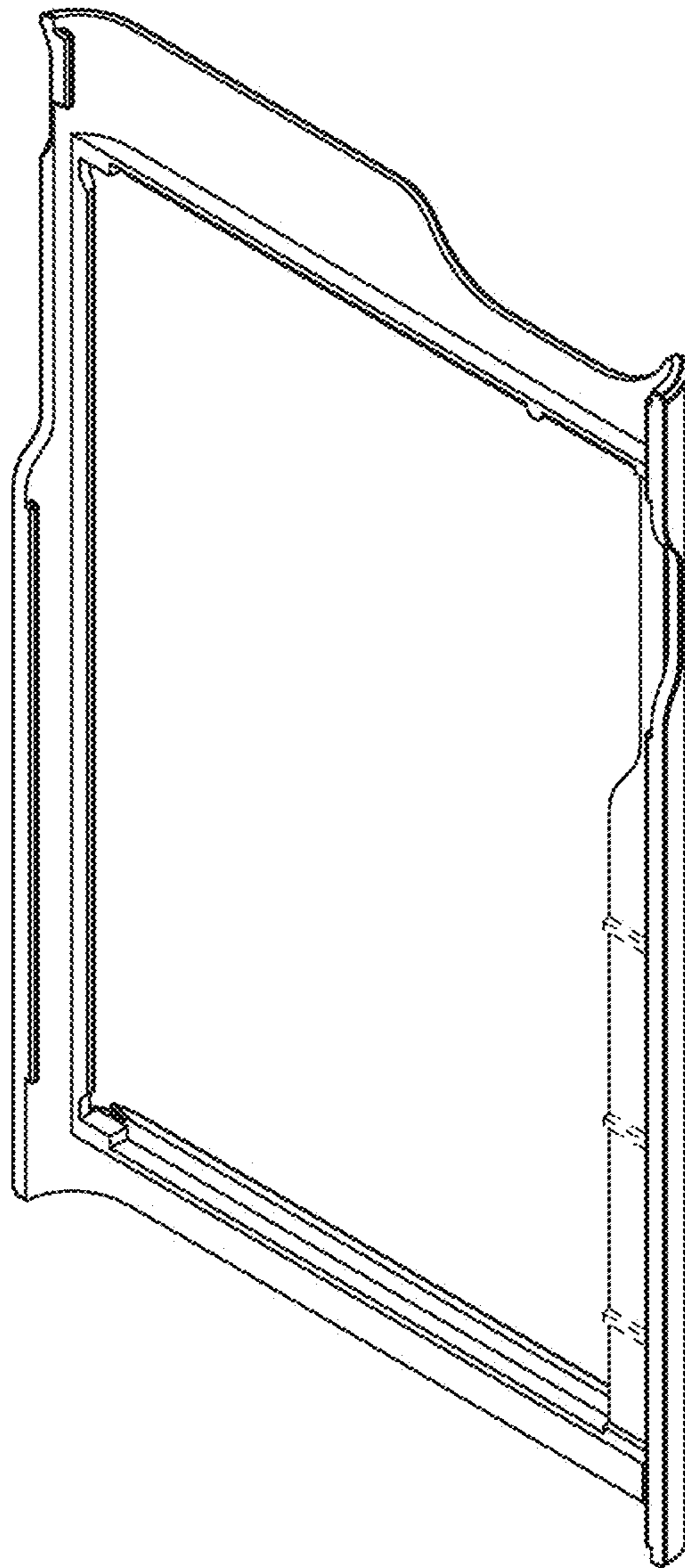


FIG. 14

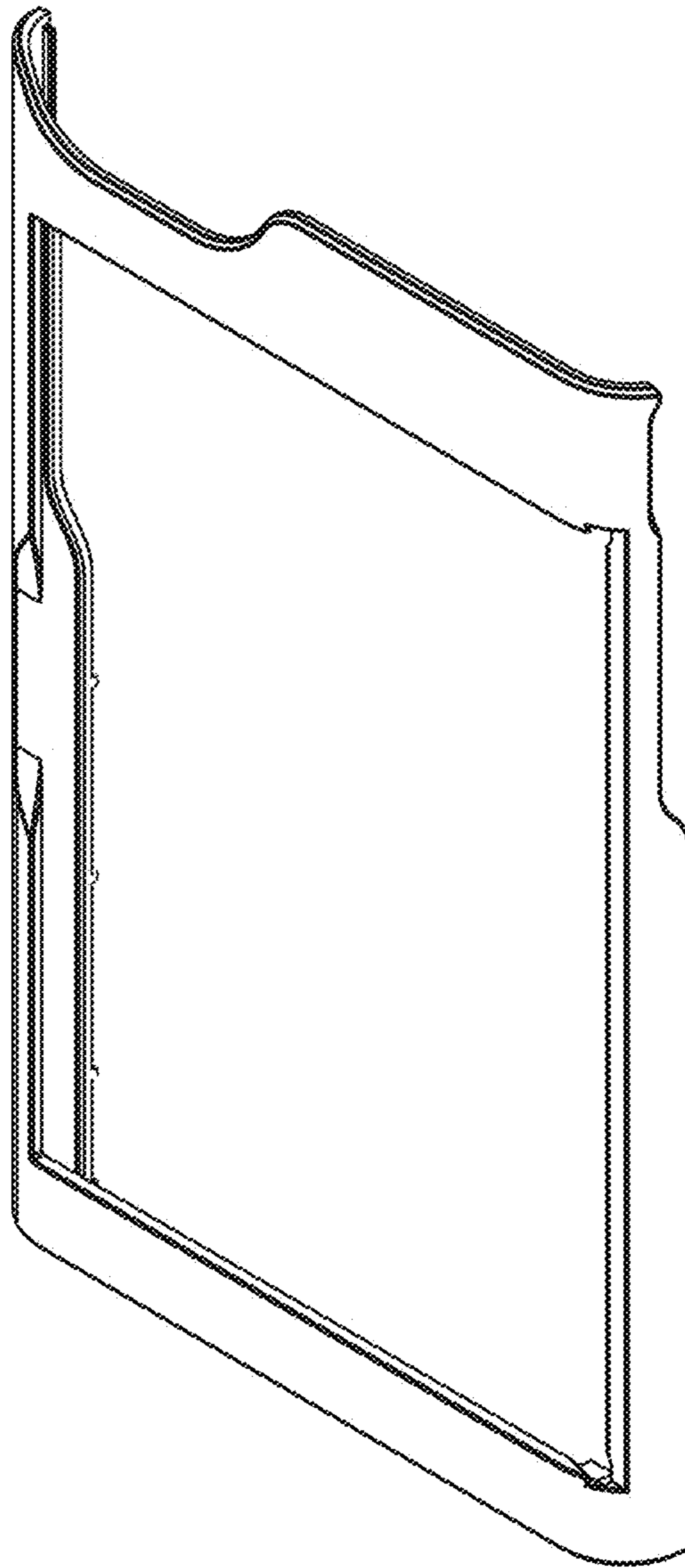


FIG. 15

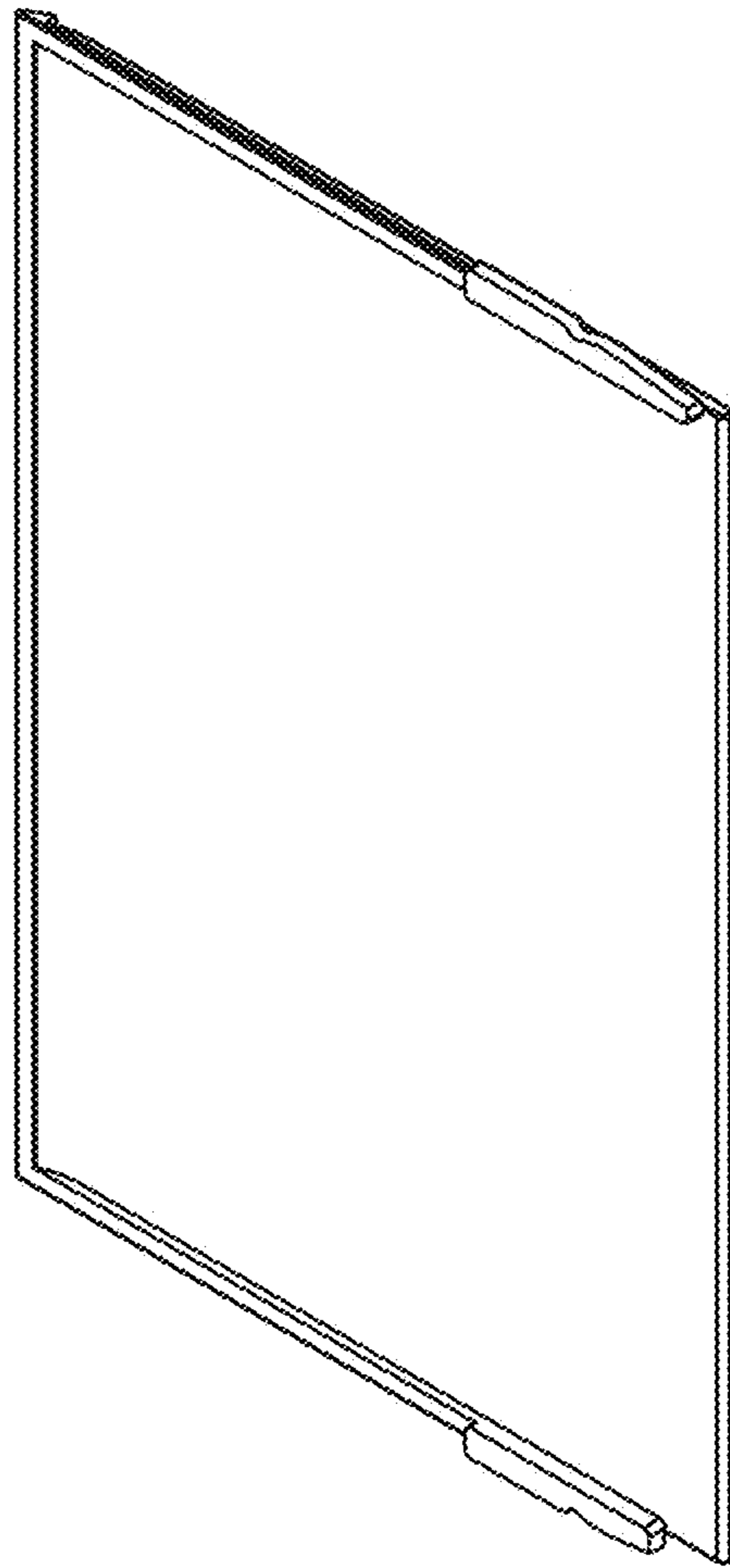


FIG. 16

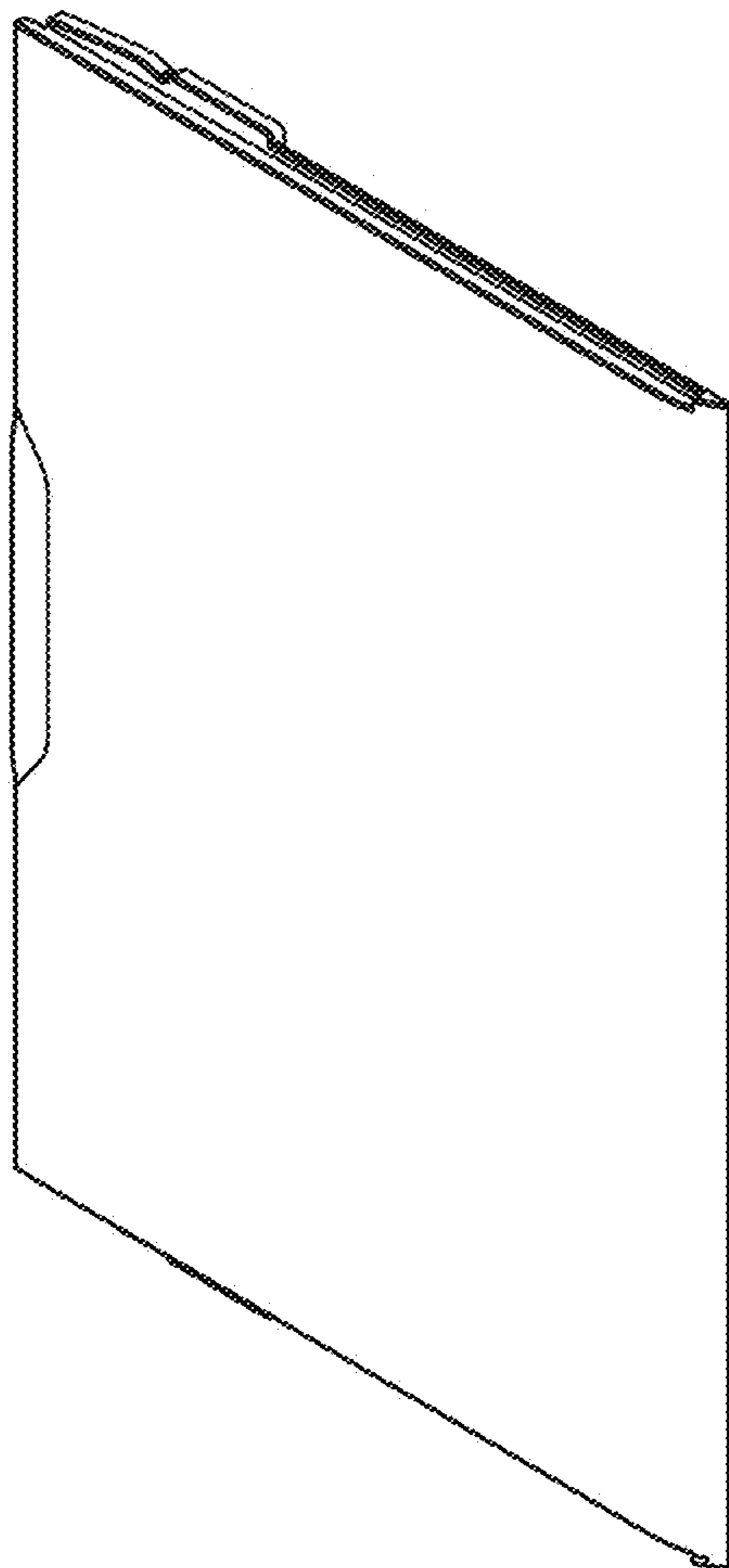


FIG. 17

