



US00D912032S

(12) **United States Design Patent**  
**He**

(10) **Patent No.:** **US D912,032 S**

(45) **Date of Patent:** **\*\* Mar. 2, 2021**

(54) **ROUTER**

(71) Applicant: **SHENZHEN TENO NETWORK TECHNOLOGIES CO., LTD,**  
Shenzhen (CN)

(72) Inventor: **Xiaomeng He,** Ezhou (CN)

(73) Assignee: **SHENZHEN TENO NETWORK TECHNOLOGIES CO., LTD,**  
Shenzhen (CN)

(\*\*) Term: **15 Years**

(21) Appl. No.: **29/745,426**

(22) Filed: **Aug. 6, 2020**

(51) **LOC (13) Cl.** ..... **14-03**

(52) **U.S. Cl.**  
USPC ..... **D14/242**

(58) **Field of Classification Search**  
USPC .... D14/240, 242, 357, 358, 140-140.9, 155,  
D14/125, 137, 139, 243, 348, 349, 351,  
D14/354, 355

CPC ..... H04L 12/00; H03K 17/00; H04W 88/00;  
H04W 88/005; H04W 88/02; H04W  
88/08; H04W 88/085; H04W 88/10;  
H04W 88/12; H04W 88/14; H04B 1/38

See application file for complete search history.

(56) **References Cited**

**U.S. PATENT DOCUMENTS**

D687,009 S *	7/2013	Song	.....	D14/155
D719,138 S *	12/2014	Schwartz	.....	D14/216
D733,107 S *	6/2015	Porter	.....	D14/240
D738,870 S	9/2015	Ding et al.		
D742,359 S *	11/2015	Zhao	.....	D14/216
D743,954 S *	11/2015	Chuang	.....	D14/240
D751,538 S *	3/2016	Koehler	.....	D14/240
D763,210 S *	8/2016	Park	.....	D14/125
D771,023 S	11/2016	Zhang		
D781,798 S *	3/2017	Klepper	.....	D14/125

D783,609 S *	4/2017	Mikelson	.....	D14/356
D792,468 S *	7/2017	Langhammer	.....	D14/496
D797,087 S *	9/2017	Burton	.....	D14/242
D806,709 S *	1/2018	Gummalla	.....	D14/358
D820,318 S *	6/2018	Mullins	.....	D14/496
D826,738 S *	8/2018	Liao	.....	D10/52
D831,595 S *	10/2018	Mittleman	.....	D13/183

(Continued)

**FOREIGN PATENT DOCUMENTS**

EM	007755251-0001	*	12/2020
EM	007755251-0002	*	12/2020

(Continued)

**OTHER PUBLICATIONS**

Meshforce M7, Date First Available: Oct. 22, 2020, [online], [retrieved on Jan. 7, 2021]. Retrieved from Internet ,<URL: [https://www.amazon.com/Meshforce-Tri-Band-Seamless-Performance-Wireless/dp/B08LNN5372/ref=sr\\_1\\_19?dchild=1&keywords=mesh-wifi&qid=1610045513&sr=8-19](https://www.amazon.com/Meshforce-Tri-Band-Seamless-Performance-Wireless/dp/B08LNN5372/ref=sr_1_19?dchild=1&keywords=mesh-wifi&qid=1610045513&sr=8-19)>.\*

(Continued)

*Primary Examiner* — Bridget L Eland

(57) **CLAIM**

The ornamental design for a router, as shown and described.

**DESCRIPTION**

FIG. 1 is a perspective view of a router showing my new design;

FIG. 2 is another perspective view thereof;

FIG. 3 is a front elevational view thereof;

FIG. 4 is a rear elevational view thereof;

FIG. 5 is a left side elevational view thereof;

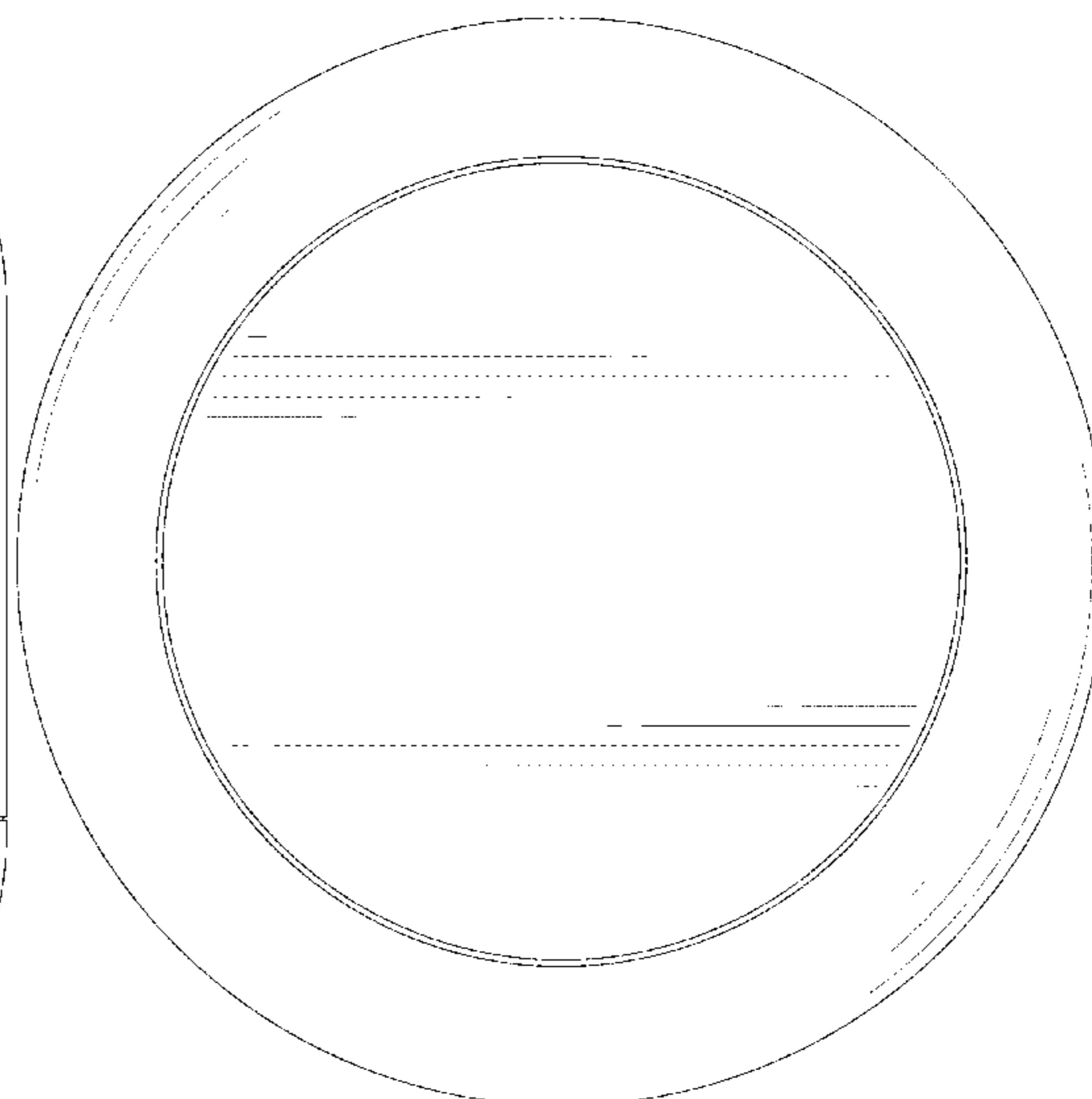
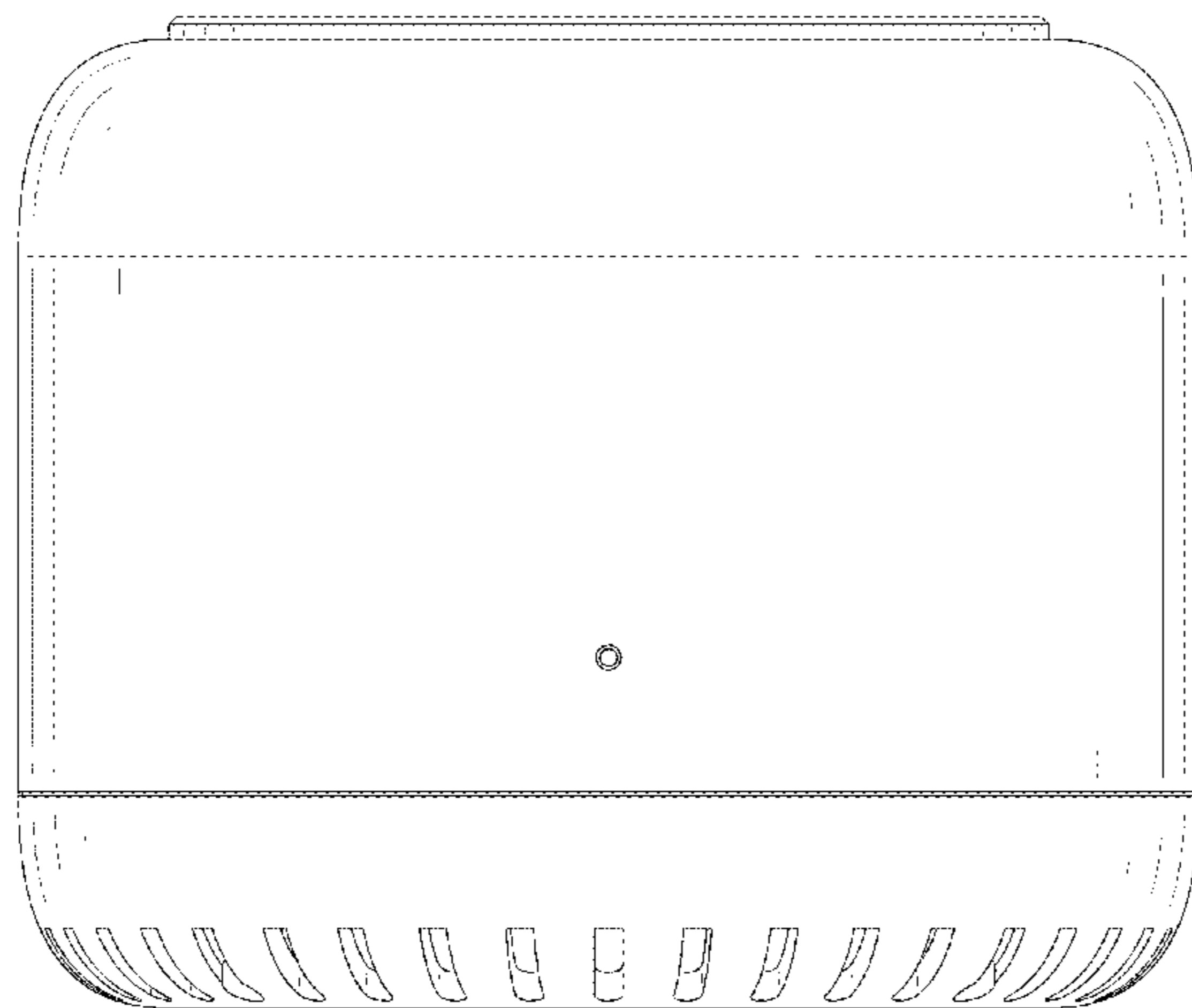
FIG. 6 is a right side elevational view thereof;

FIG. 7 is a top plan view thereof; and,

FIG. 8 is a bottom plan view thereof.

The broken lines in the drawings depict portions of the router that form no part of the claimed design.

**1 Claim, 8 Drawing Sheets**



(56)

**References Cited**

U.S. PATENT DOCUMENTS

D849,704 S \* 5/2019 Kim ..... D14/137  
D863,356 S \* 10/2019 Akana ..... D14/496  
D879,151 S \* 3/2020 Akana ..... D14/496  
D897,876 S \* 10/2020 Jacob ..... D10/106.95  
D900,812 S \* 11/2020 Friedman ..... D14/357

FOREIGN PATENT DOCUMENTS

EM 007755251-0003 \* 12/2020  
EM 007755251-0004 \* 12/2020  
EM 007755251-0005 \* 12/2020  
EM 007755251-0006 \* 12/2020  
EM 007755251-0007 \* 12/2020  
EM 007755251-0008 \* 12/2020  
EM 007755251-0009 \* 12/2020  
EM 007755251-0010 \* 12/2020  
EM 007755251-0011 \* 12/2020  
EM 007755251-0012 \* 12/2020

OTHER PUBLICATIONS

Google Nest WiFi Router, Date First Available: Nov. 7, 2019, [online], [retrieved on Jan. 7, 2021]. Retrieved from Internet, <URL: [https://www.amazon.com/dp/B0815V2T58/ref=sspa\\_dk\\_detail\\_4?psc=1&pd\\_rd\\_i=B0815V2T58&pd\\_rd\\_w=NTypq&pf\\_rd\\_p=7d37a48b-2b1a-4373-8c1abdcc5da66be9&pd\\_rd\\_wg=wi8QZ&pf\\_rd\\_r=TH8CRWAVBTWJCN8KM9R](https://www.amazon.com/dp/B0815V2T58/ref=sspa_dk_detail_4?psc=1&pd_rd_i=B0815V2T58&pd_rd_w=NTypq&pf_rd_p=7d37a48b-2b1a-4373-8c1abdcc5da66be9&pd_rd_wg=wi8QZ&pf_rd_r=TH8CRWAVBTWJCN8KM9R)>.\*

\* cited by examiner

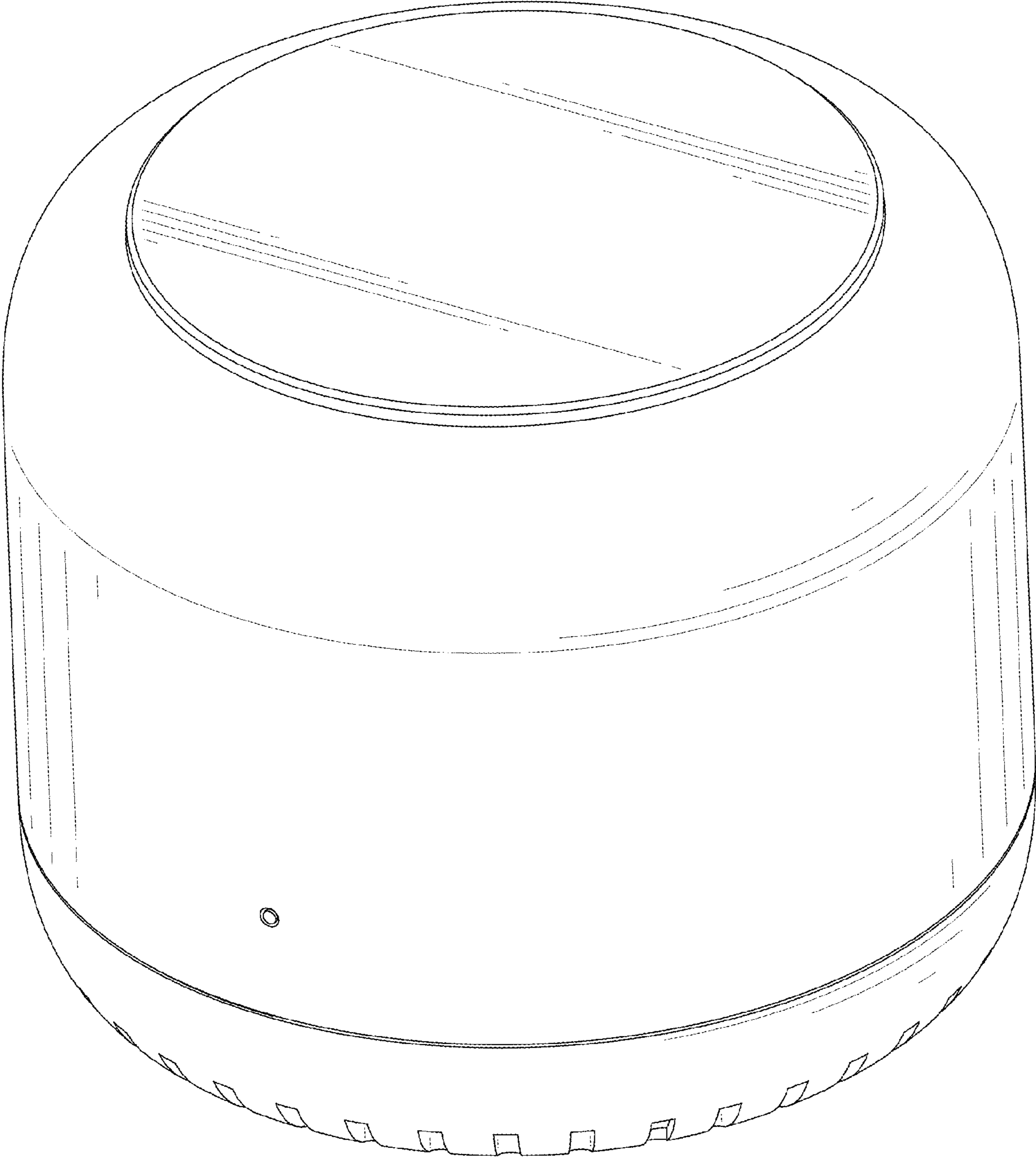


FIG. 1

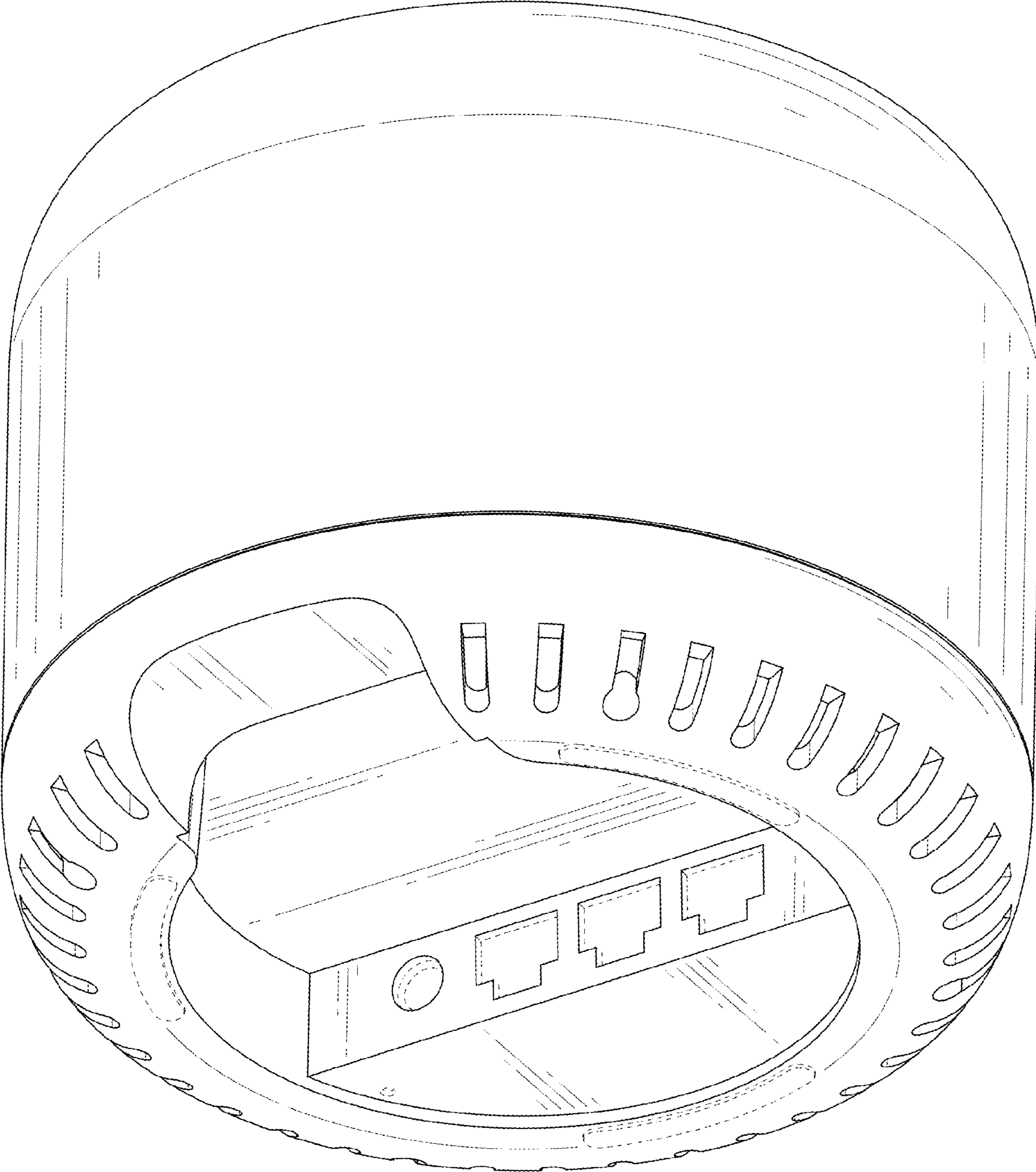


FIG. 2

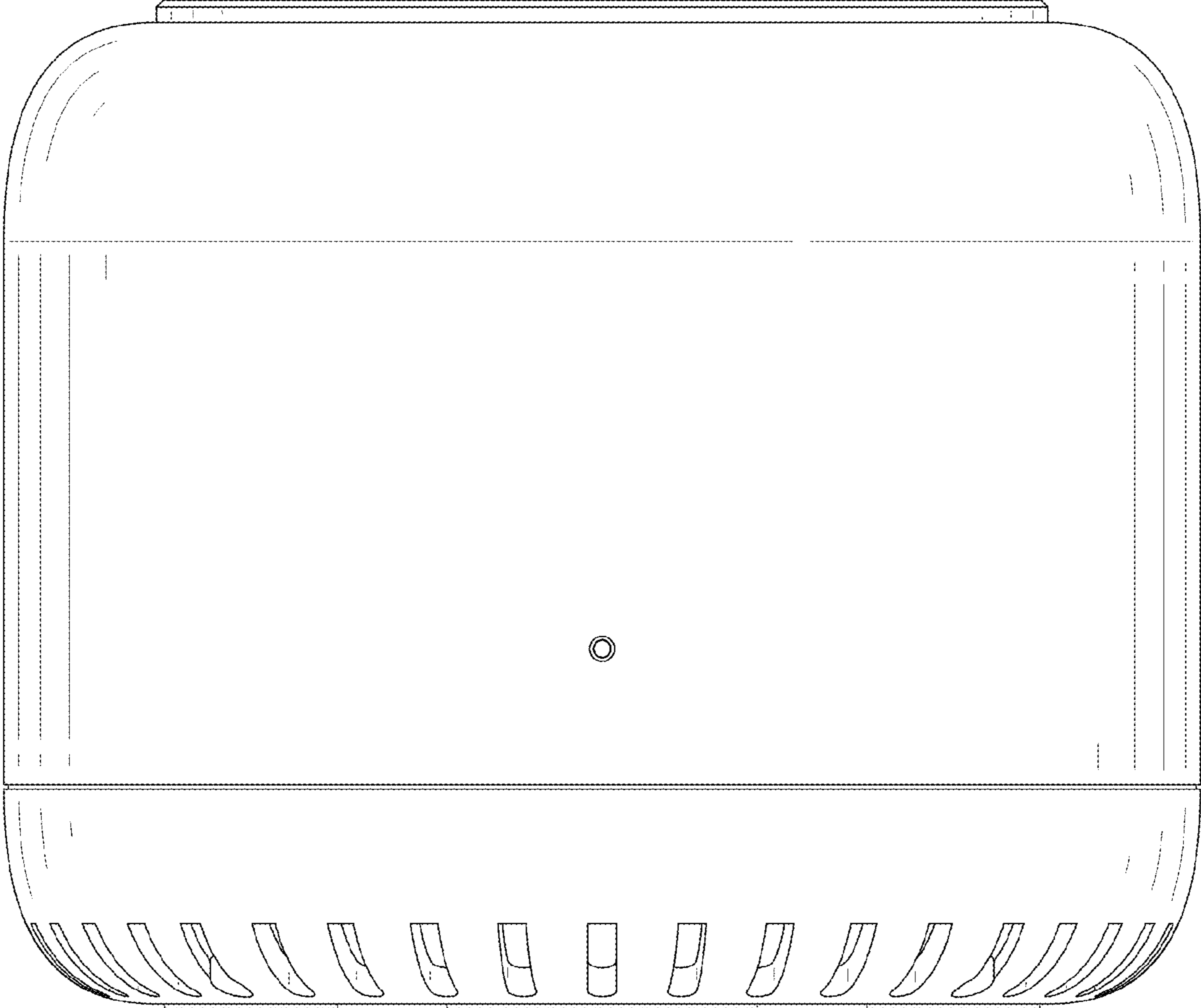


FIG. 3

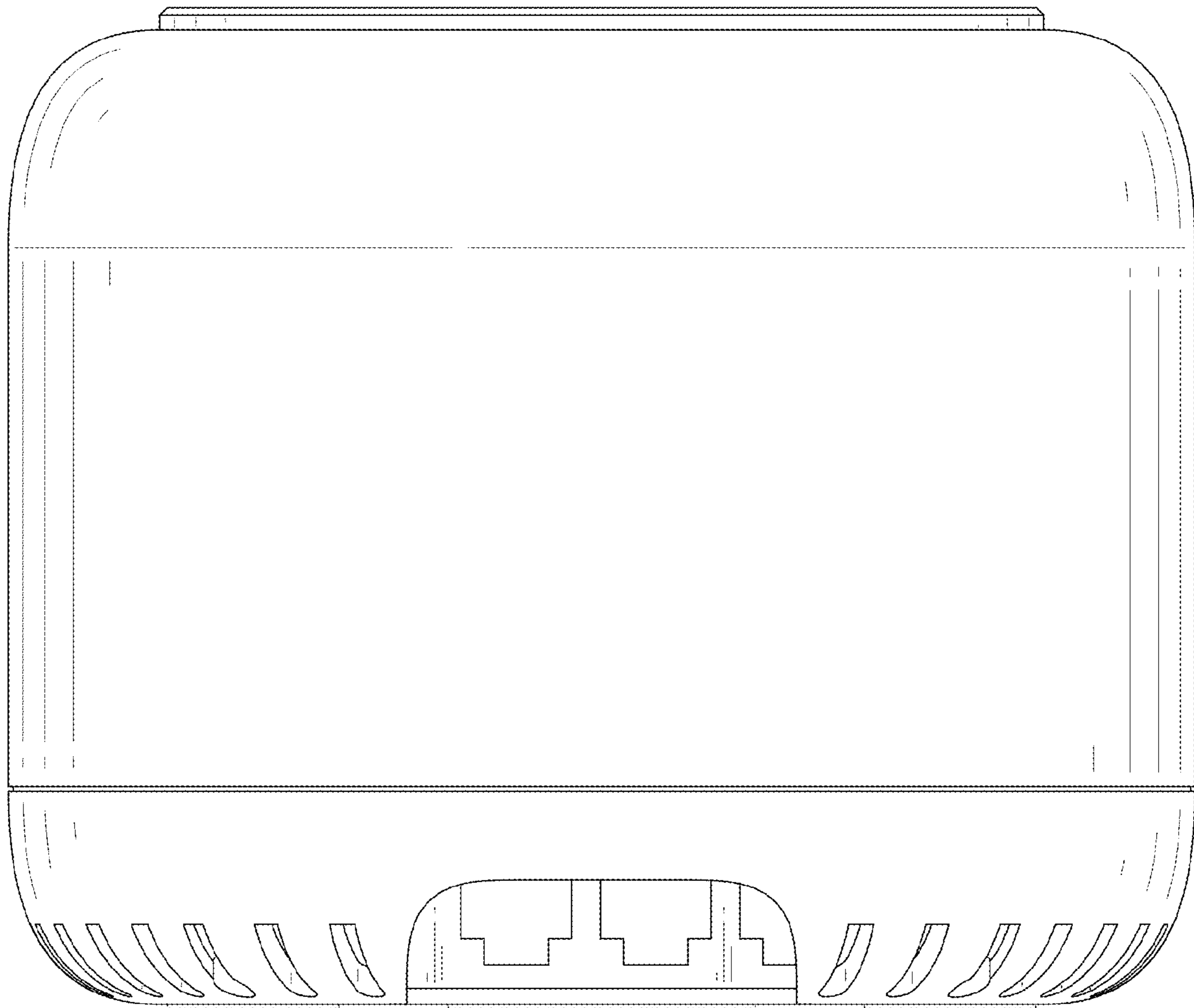


FIG. 4

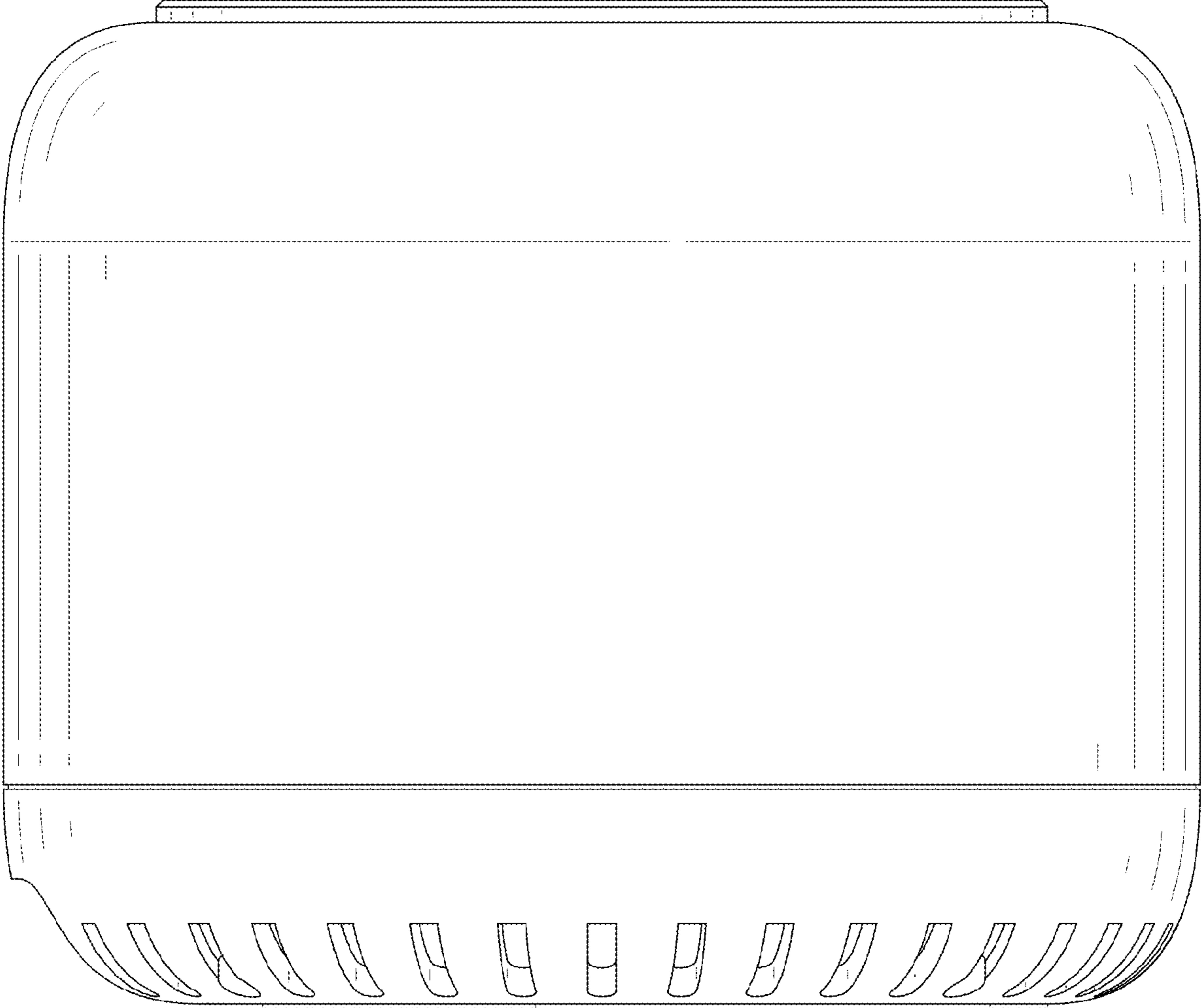


FIG. 5

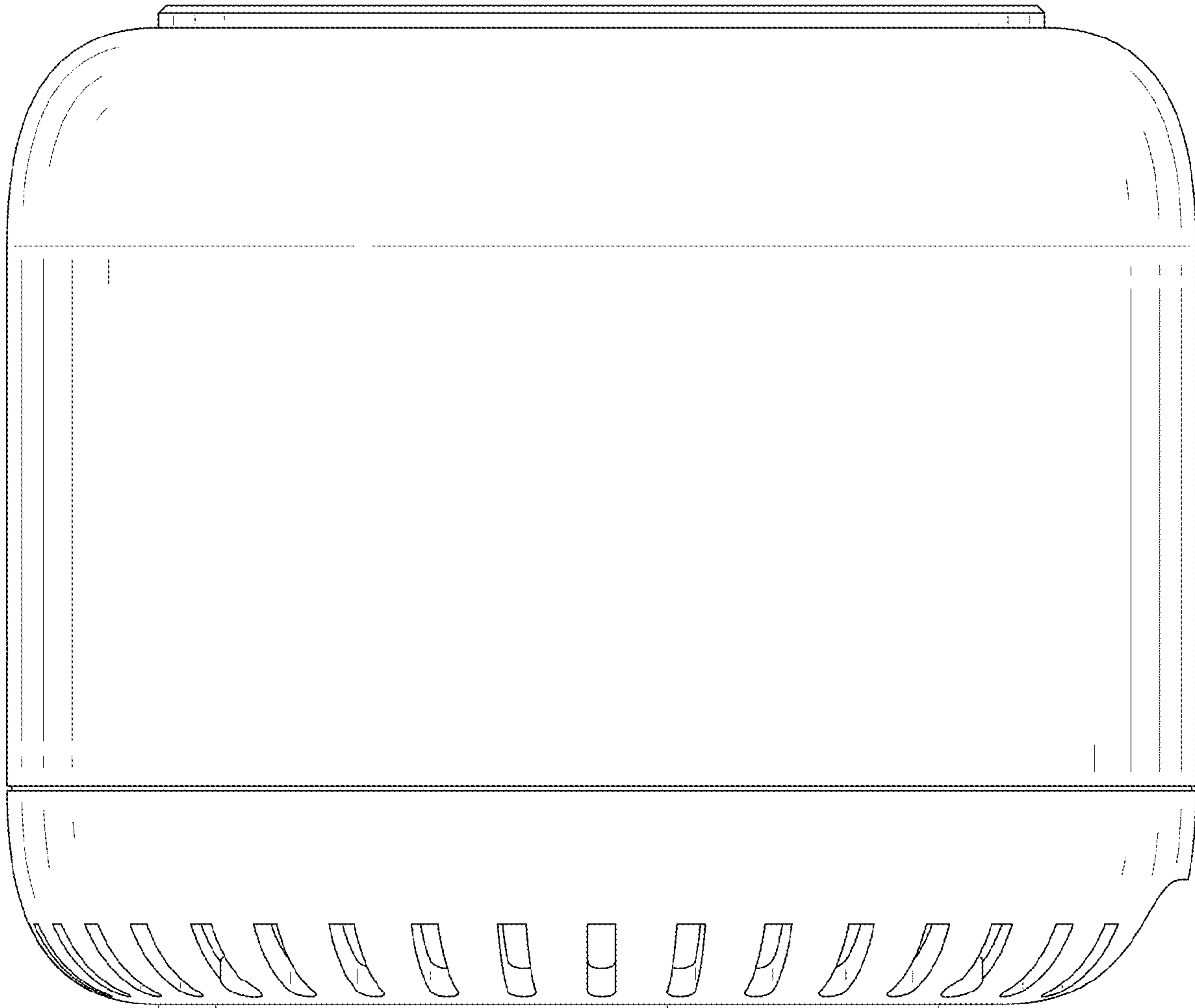


FIG. 6



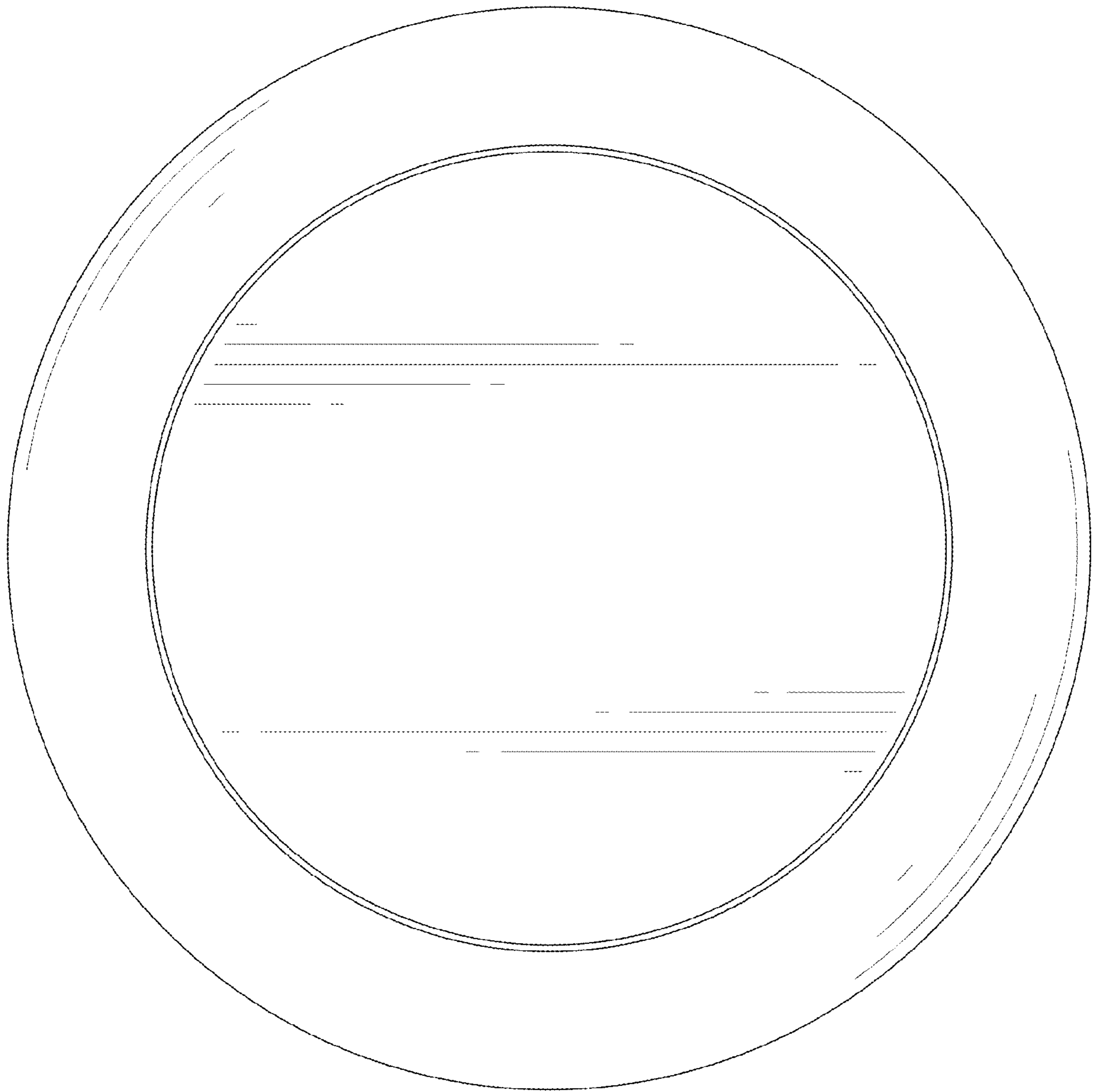


FIG. 7

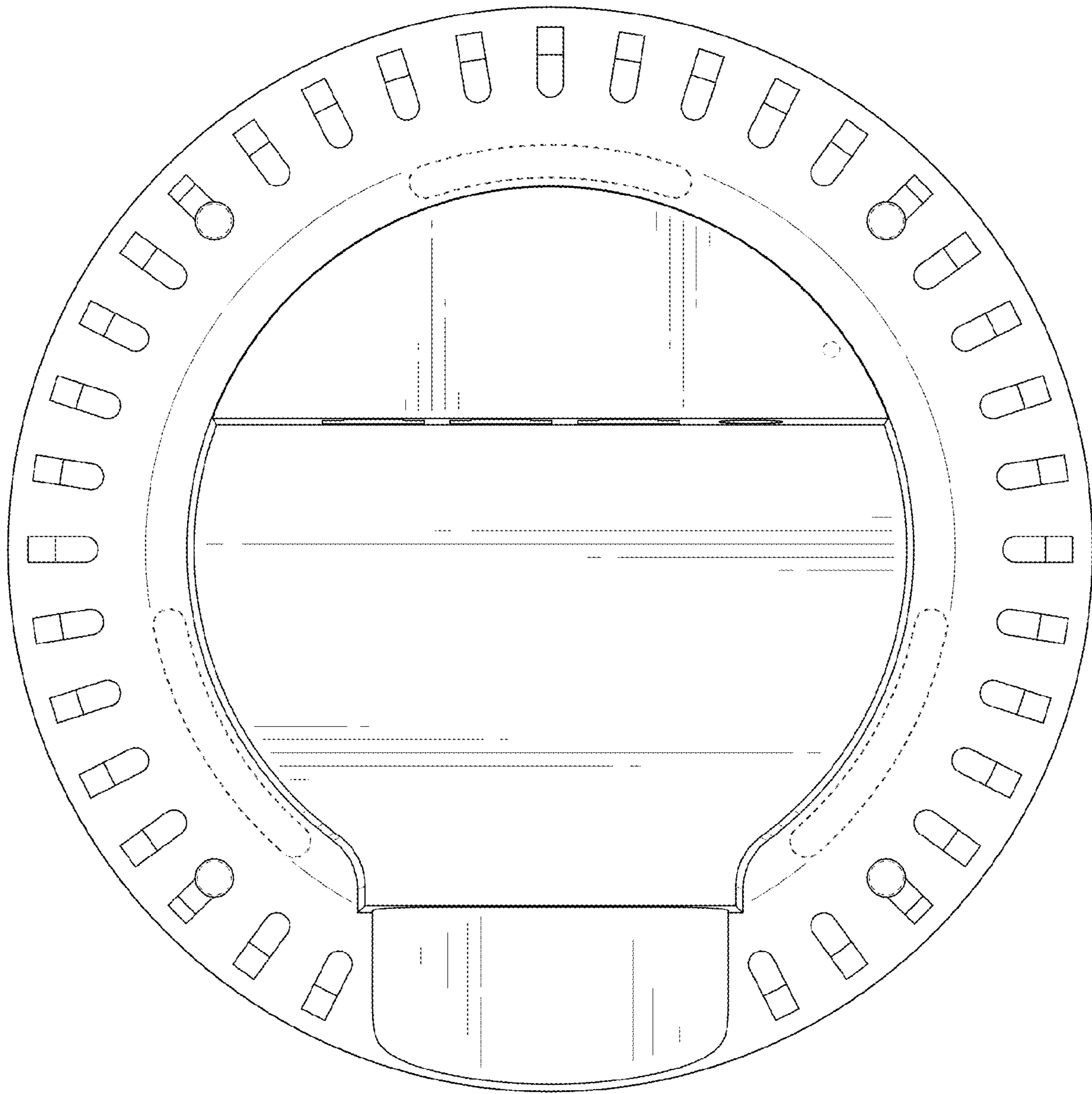


FIG. 8