



US00D912031S

(12) **United States Design Patent** (10) **Patent No.:** **US D912,031 S**
He (45) **Date of Patent:** **** Mar. 2, 2021**

(54) **ROUTER**

FOREIGN PATENT DOCUMENTS

(71) Applicant: **SHENZHEN TENO NETWORK TECHNOLOGIES CO., LTD,**
Shenzhen (CN)

CN 304220794 * 7/2017
CN 305670507 * 3/2020

(Continued)

(72) Inventor: **Xiaomeng He,** Ezhou (CN)

OTHER PUBLICATIONS

(73) Assignee: **SHENZHEN TENO NETWORK TECHNOLOGIES CO., LTD,**
Shenzhen (CN)

Speedefy AC2100 Smart WiFi Router, Date First Available: Jun. 30, 2020, [online], [retrieved on Jan. 7, 2021]. Retrieved from Internet, <URL: https://www.amazon.com/Speedefy-AC2100-Smart-WiFi-Router/dp/B08C341JN6/ref=sr_1_14?dchild=1&keywords=router&qid=1610038221&sr=8-14>.*

(**) Term: **15 Years**

(Continued)

(21) Appl. No.: **29/745,423**

Primary Examiner — Bridget L Eland

(22) Filed: **Aug. 6, 2020**

(51) **LOC (13) Cl.** **14-03**

(52) **U.S. Cl.**

USPC **D14/242**

(58) **Field of Classification Search**

USPC D14/240, 242, 357, 358, 140-140.9, 155,
D14/125, 137, 139, 243, 348, 349, 351,
D14/354, 355

CPC H04L 12/00; H03K 17/00; H04W 88/00;
H04W 88/005; H04W 88/02; H04W
88/08; H04W 88/085; H04W 88/10;
H04W 88/12; H04W 88/14; H04B 1/38

See application file for complete search history.

(57) **CLAIM**

The ornamental design for a router, as shown and described.

DESCRIPTION

FIG. 1 is a perspective view of a router showing my new design;
FIG. 2 is another perspective view thereof;
FIG. 3 is a front elevational view thereof;
FIG. 4 is a rear elevational view thereof;
FIG. 5 is a left side elevational view thereof;
FIG. 6 is a right side elevational view thereof;
FIG. 7 is a top plan view thereof;
FIG. 8 is a bottom plan view thereof; and,
FIG. 9 is an enlarged view of portion 9 shown in FIG. 3.
The evenly spaced broken lines in the drawings depict portions of the router that form no part of the claimed design. The dot-dash broken lines are imaginary lines that are included for reference purposes only to identify the enlarged view; the dot-dash broken lines form no part of the claimed design.

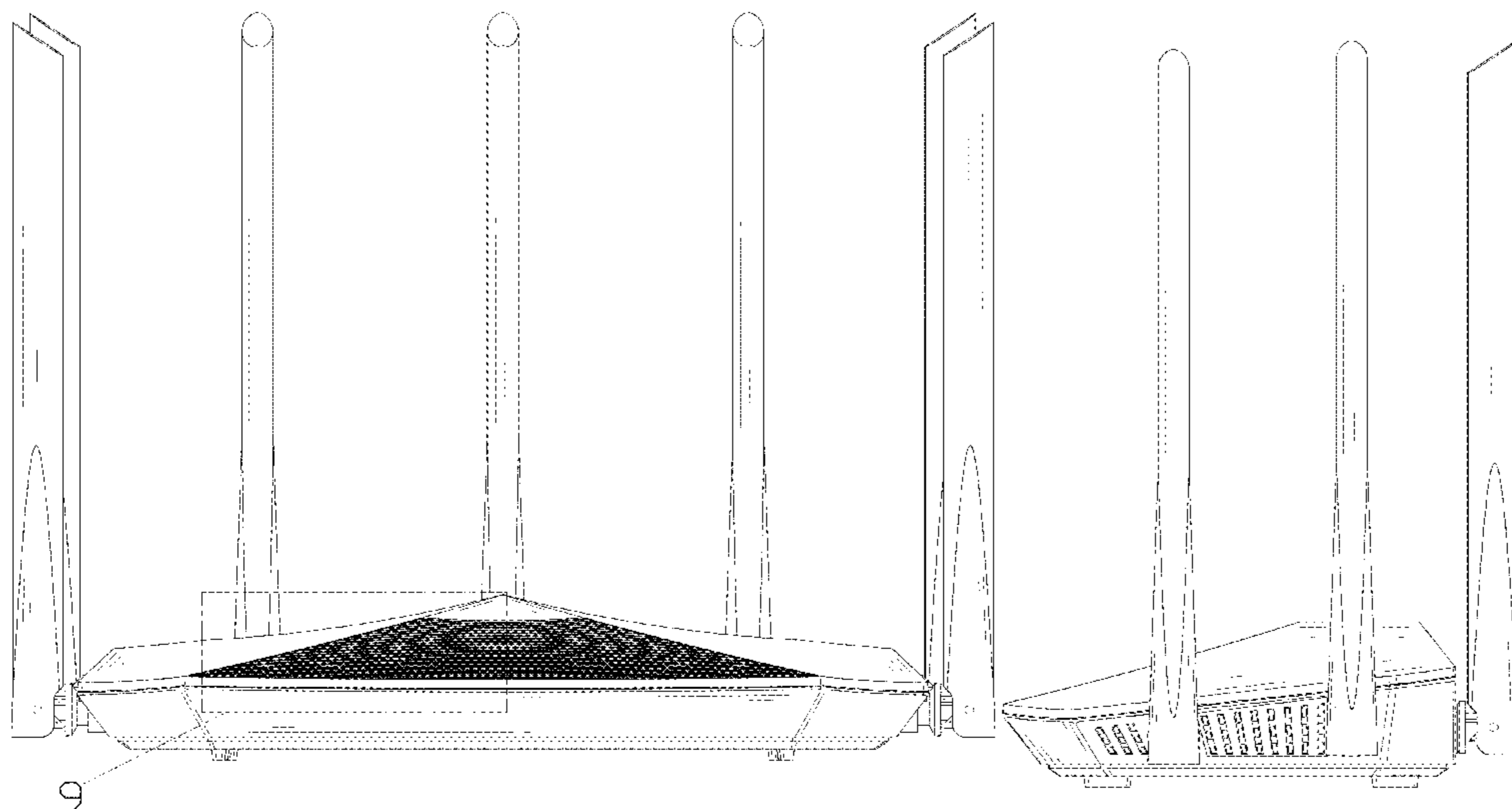
(56) **References Cited**

U.S. PATENT DOCUMENTS

D486,820 S * 2/2004 Burns D14/242
D487,080 S * 2/2004 Chen D14/242
D606,523 S * 12/2009 Herbst D14/240
D651,993 S * 1/2012 Cheng D14/125
D671,534 S * 11/2012 Huang D14/242
D808,915 S * 1/2018 Wang D14/125
D817,941 S 5/2018 Wang
D821,375 S 6/2018 Ramones et al.
D821,995 S * 7/2018 Wang D14/125
D825,540 S * 8/2018 Wilcox D14/242

(Continued)

1 Claim, 9 Drawing Sheets



(56)

References Cited

U.S. PATENT DOCUMENTS

D843,336	S	*	3/2019	Wu	D14/125
D851,075	S	*	6/2019	Ramones	D14/242
D853,999	S	*	7/2019	Jiang	D14/242
D856,327	S	*	8/2019	Huang	D14/365
D892,776	S	*	8/2020	Ramones	D14/240

FOREIGN PATENT DOCUMENTS

CN	305707168	*	4/2020
CN	305981420	*	8/2020
CN	306071762	*	9/2020
WO	D210064-001	*	9/2020
WO	D210065-001	*	9/2020

OTHER PUBLICATIONS

Tenda AC1200 Dual Band WiFi Router, Date First Available: Nov. 1, 2016, [online], [retrieved on Nov. 19, 2020]. Retrieved from Internet, <URL: [* cited by examiner](https://www.amazon.com/Tenda-Wireless-Internet-MU-MIMO-AC6/dp/B06X1CHFJ5/ref=sr_1_12_sspa?dchild=1&keywords=router&qid=1610038221&sr=8-12-spons&psc=1&spLa=ZW5jcjcnIwdGVkUXVhb>.*</p></div><div data-bbox=)

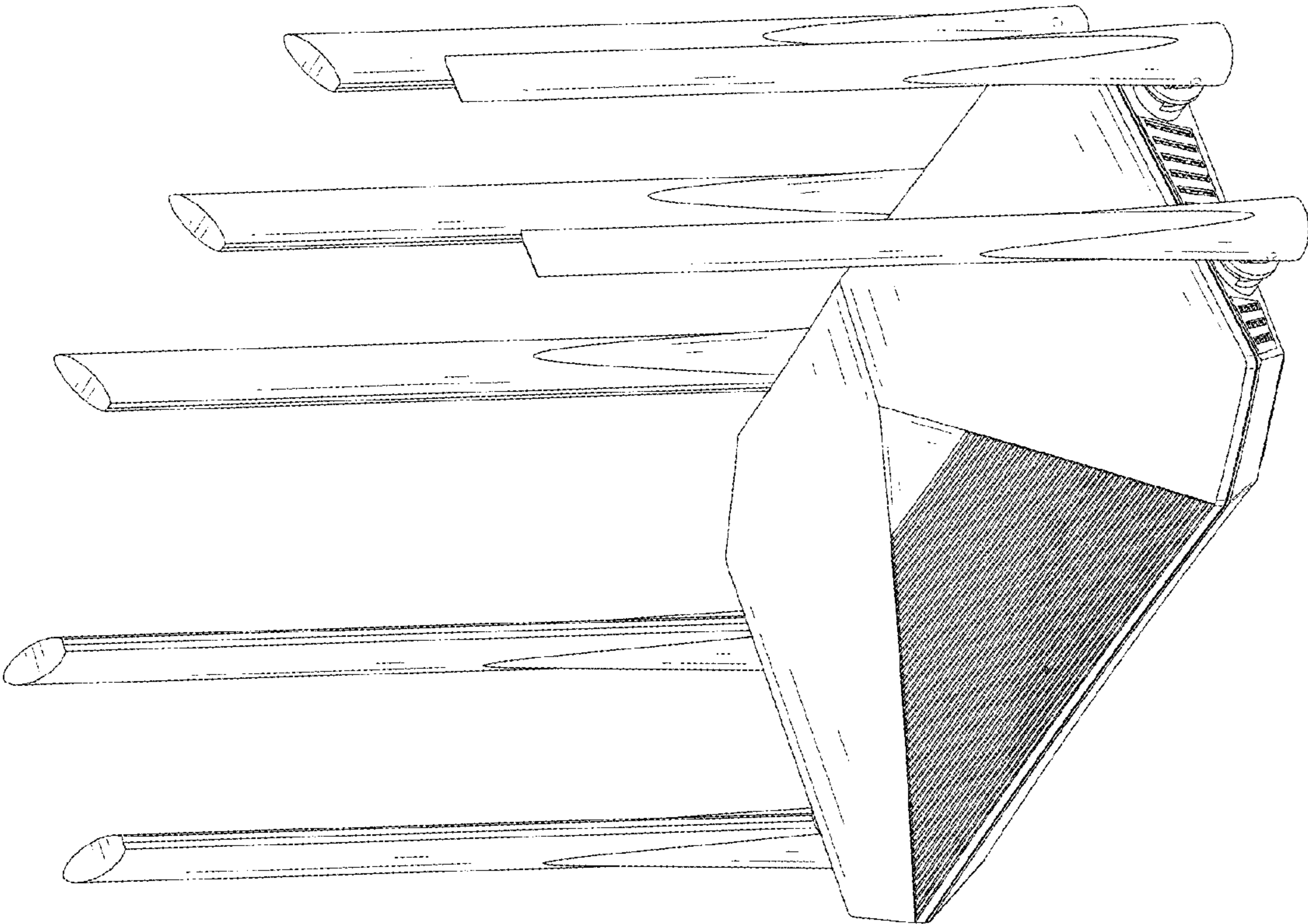


FIG. 1

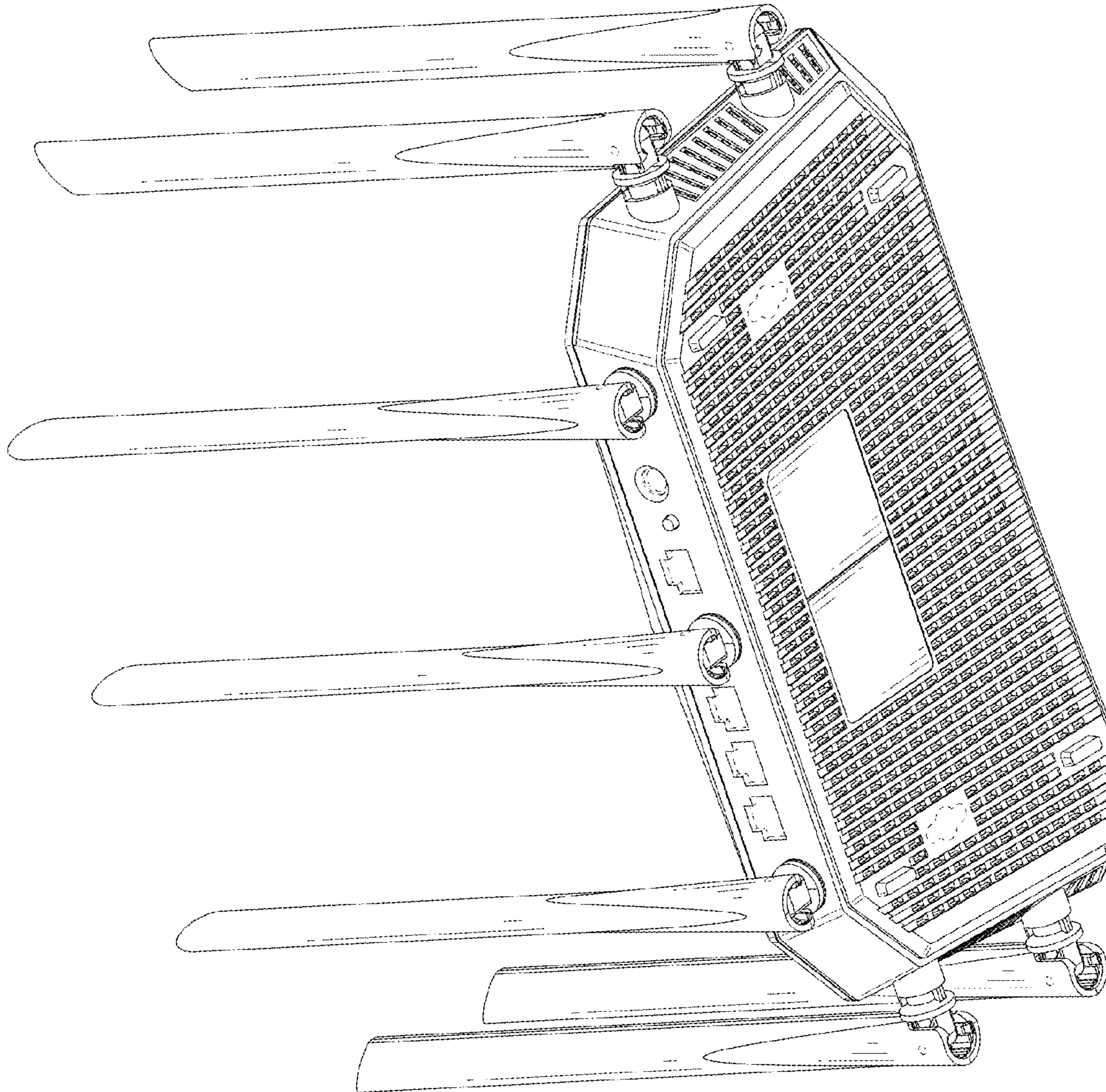


FIG. 2

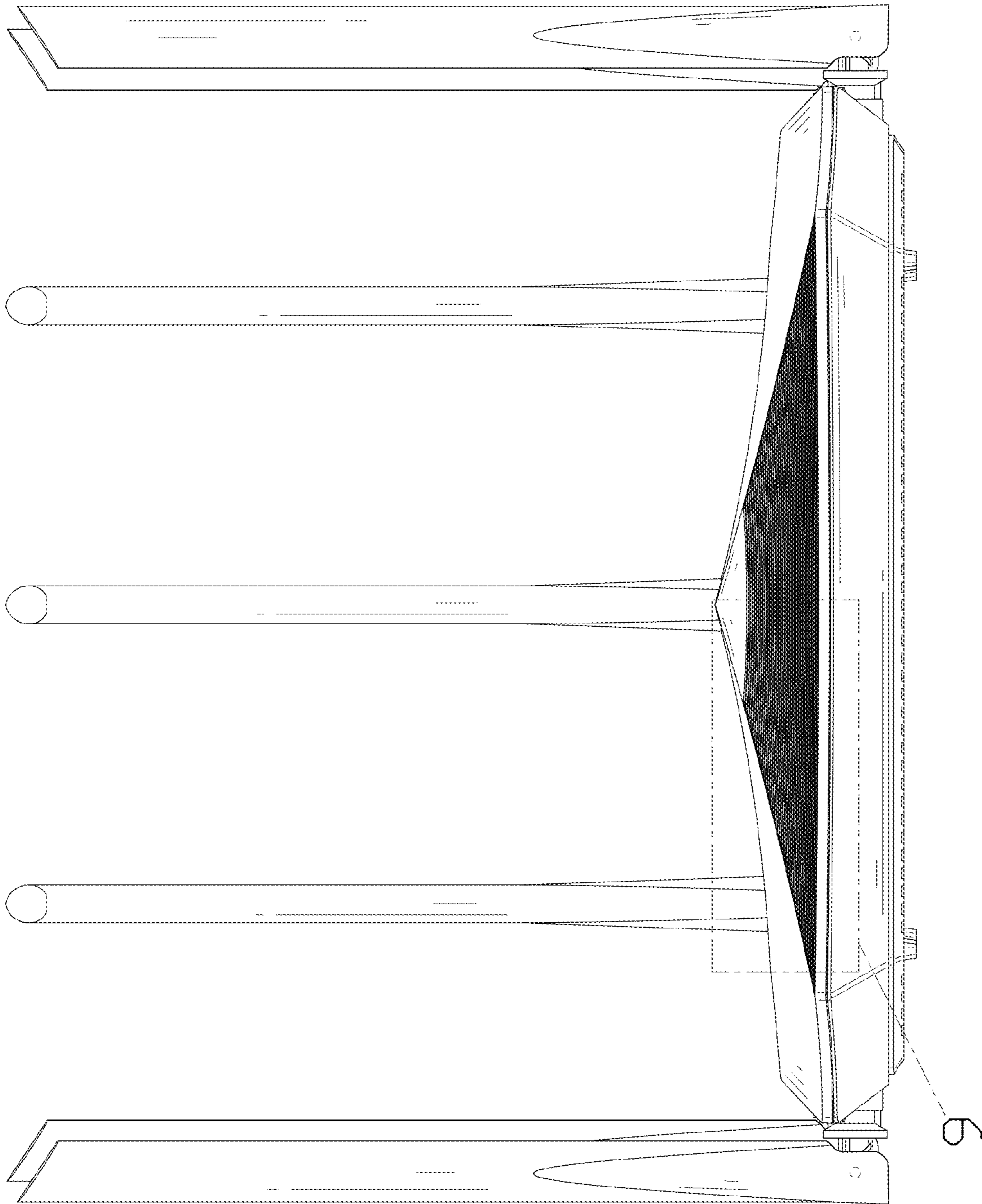


FIG. 3

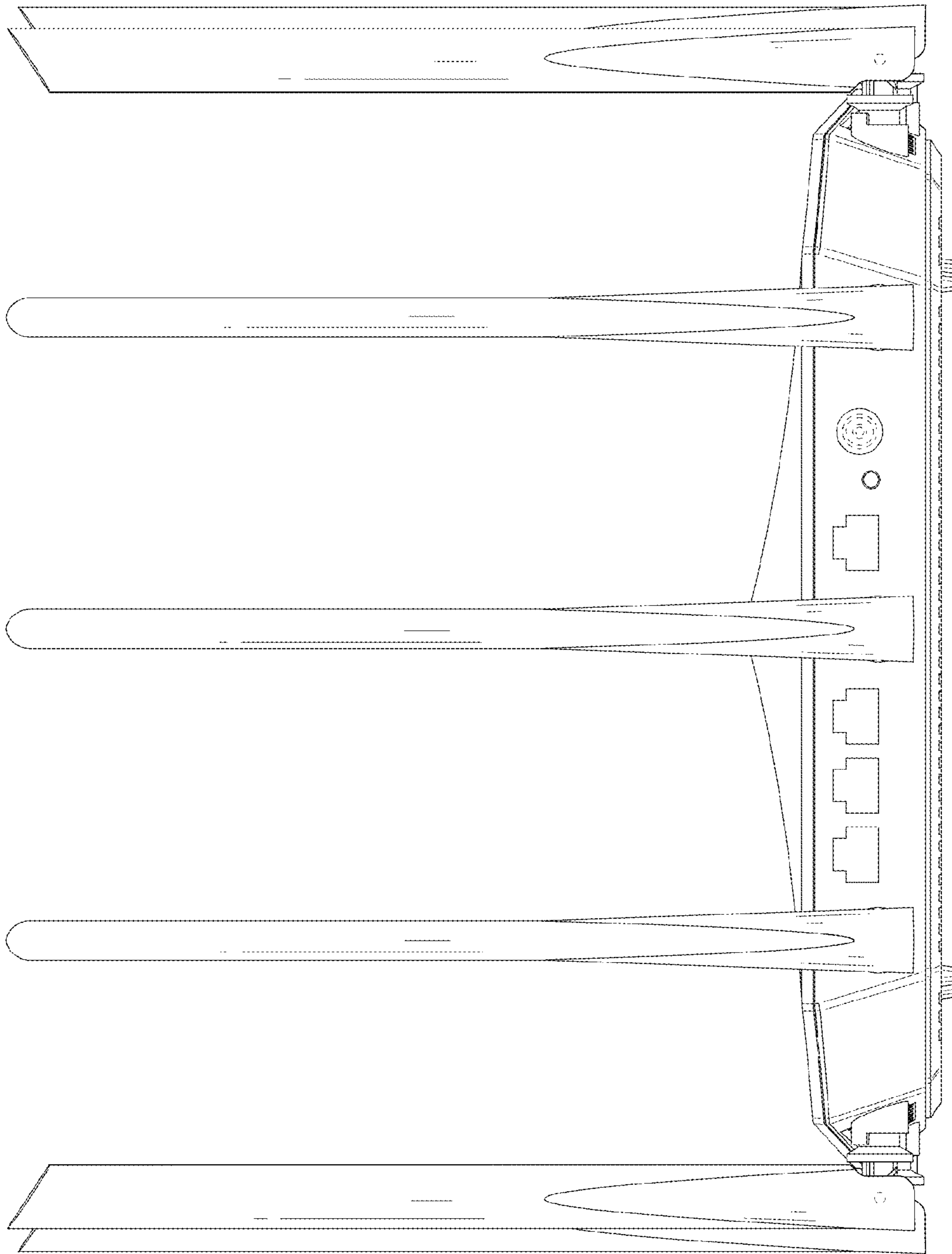


FIG. 4

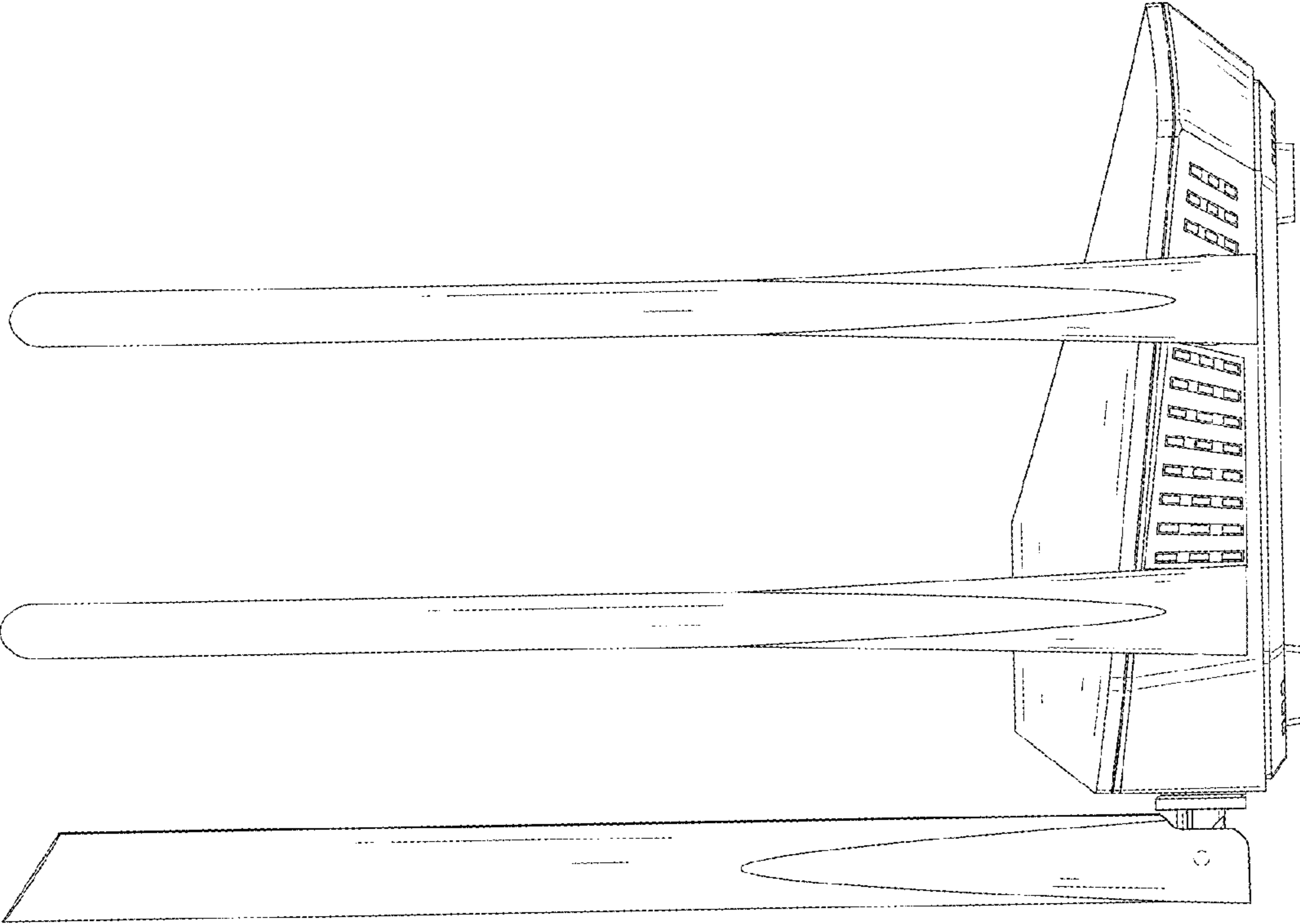


FIG. 5

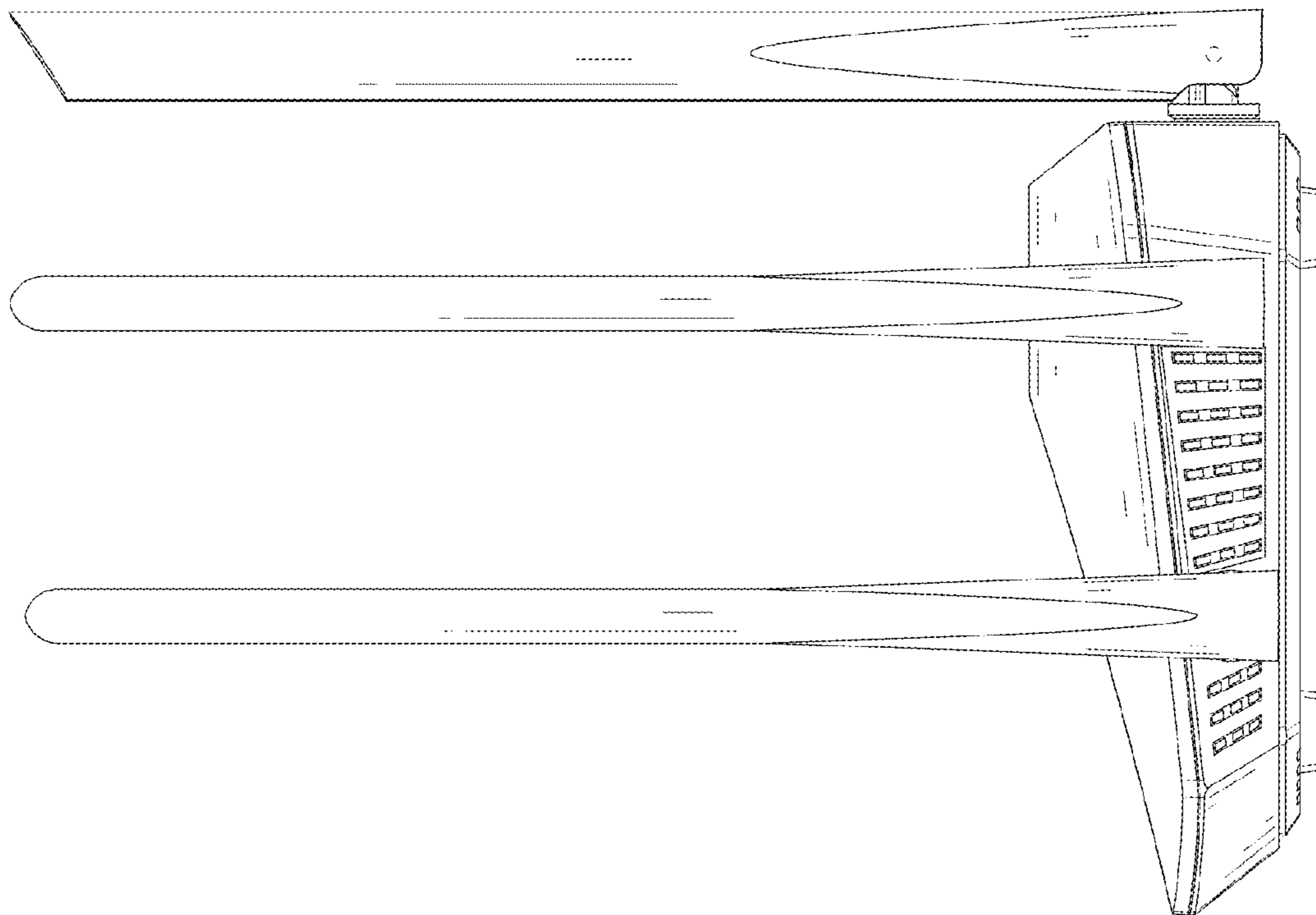


FIG. 6

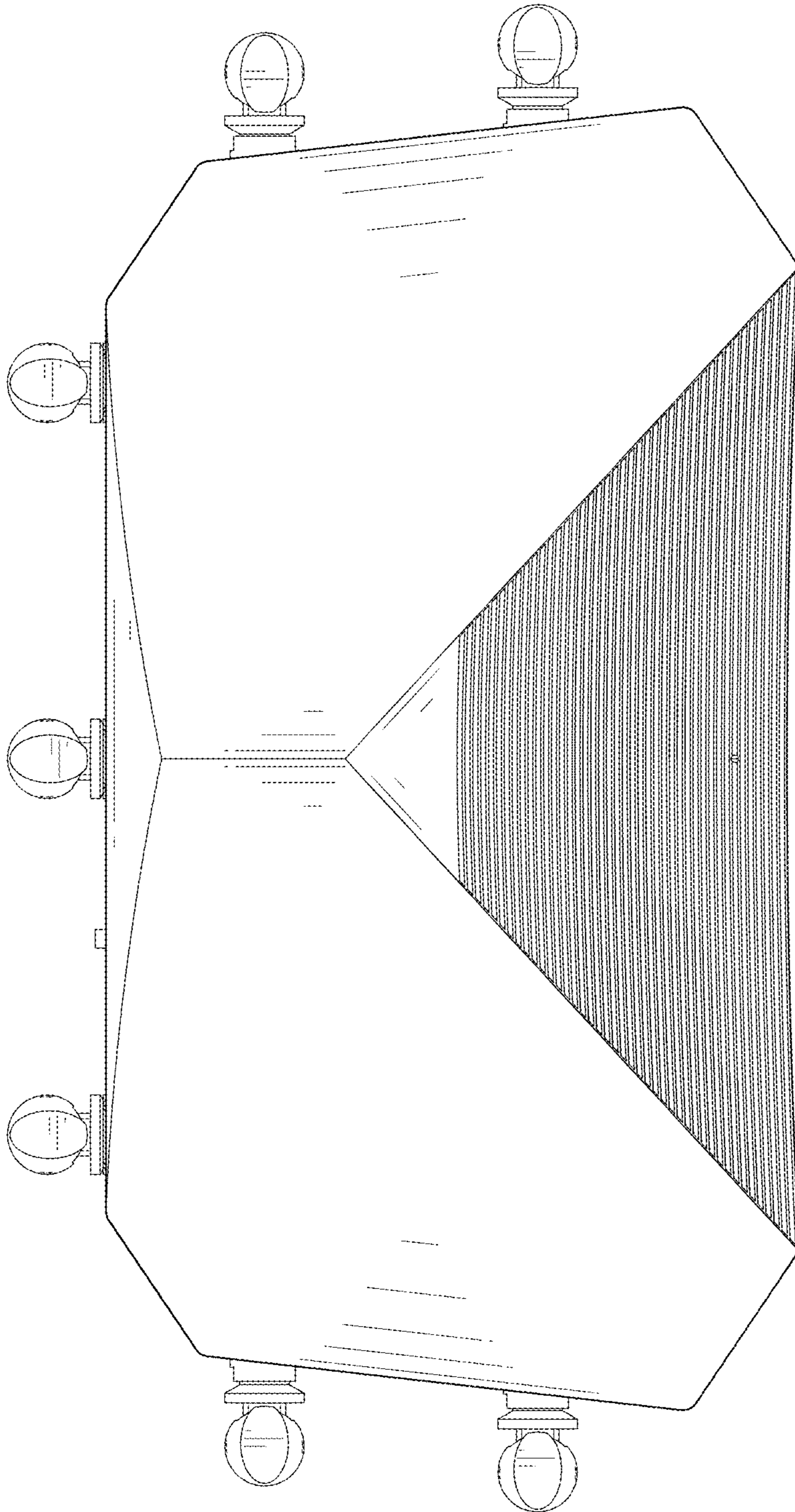


FIG. 7

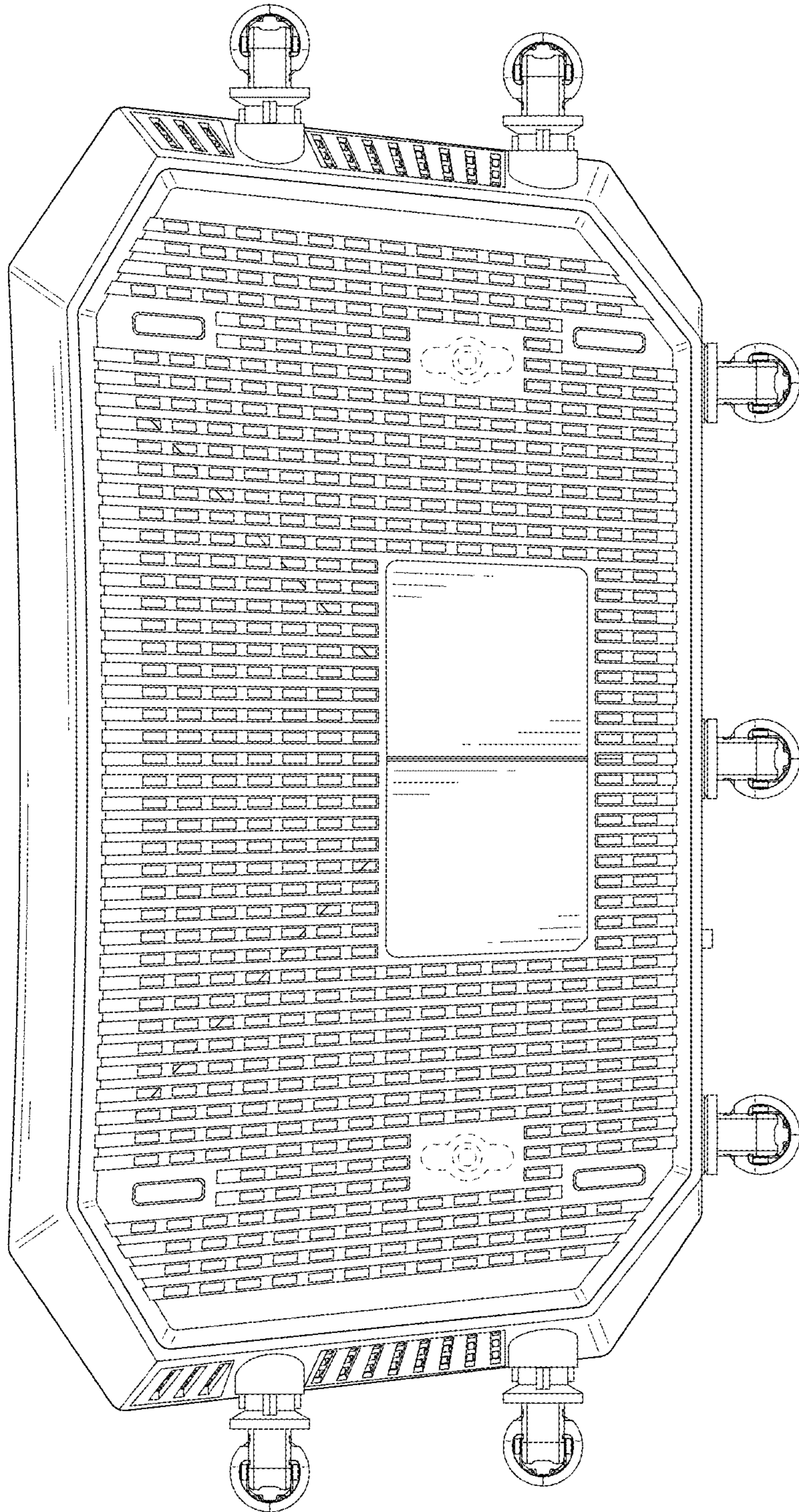


FIG. 8

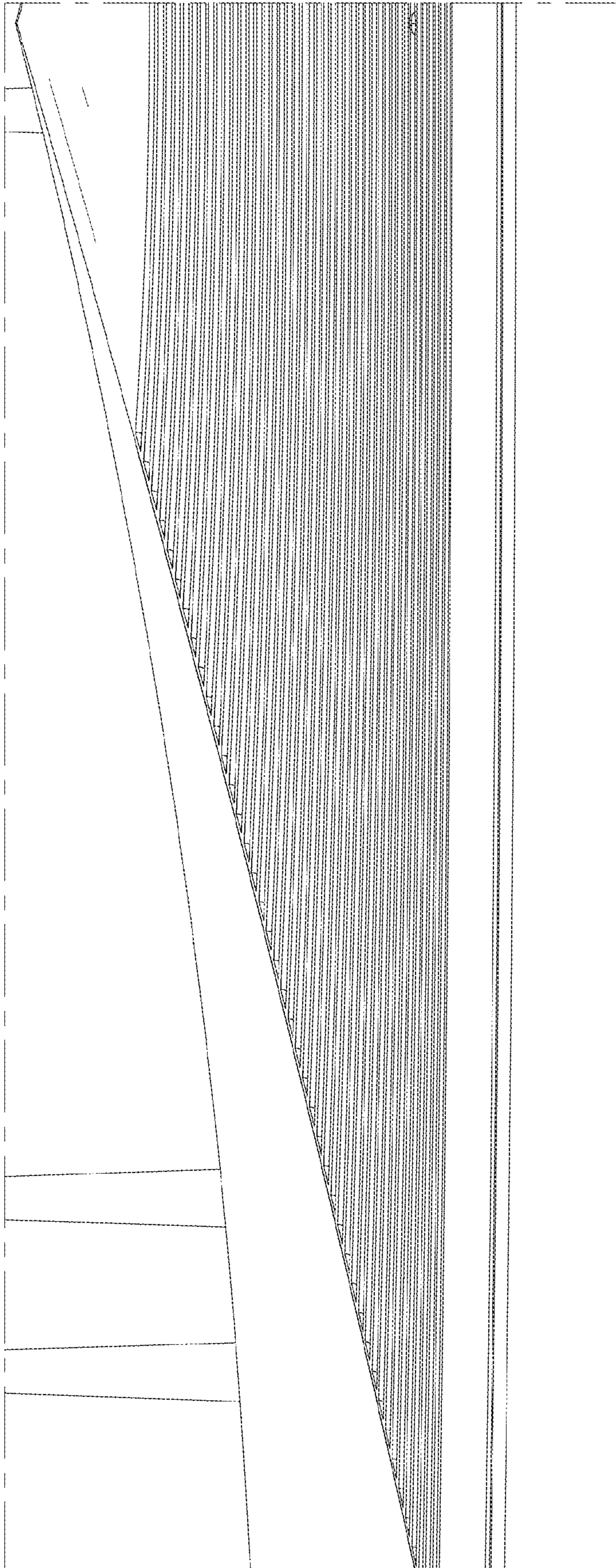


FIG. 9