

US00D912029S

(12) **United States Design Patent** (10) **Patent No.:** **US D912,029 S**
Kim et al. (45) **Date of Patent:** **** Mar. 2, 2021**

(54) **STAND FOR TELEVISION RECEIVER**

(71) Applicant: **LG ELECTRONICS INC.**, Seoul (KR)
 (72) Inventors: **Younsoo Kim**, Seoul (KR); **Yooseok Kim**, Seoul (KR); **Youngwon Jeong**, Seoul (KR); **Hyoungwon Kim**, Seoul (KR); **Younghun Jang**, Seoul (KR)
 (73) Assignee: **LG ELECTRONICS INC.**, Seoul (KR)

(**) Term: **15 Years**

(21) Appl. No.: **35/508,123**

(22) Filed: **Feb. 27, 2019**

(80) **Hague Agreement Data**

Int. Filing Date: **Feb. 27, 2019**
 Int. Reg. No.: **DM/204619**
 Int. Reg. Date: **Feb. 27, 2019**
 Int. Reg. Pub. Date: **Dec. 13, 2019**

(30) **Foreign Application Priority Data**

Aug. 29, 2018 (KR) 30-2018-0040283

(51) **LOC (13) Cl.** **14-03**

(52) **U.S. Cl.**
USPC **D14/239**

(58) **Field of Classification Search**

USPC D14/126, 217, 239, 316, 335, 336, 340, D14/374, 375, 451, 452; D21/515
 CPC G06F 1/1601; G06F 1/1643; H04M 1/04; H04M 1/06; H05K 5/02; H05K 5/0004; H05K 5/0017; H05K 5/0217; F16M 11/00; F16M 11/04; F16M 11/10; F16M 11/043; F16M 13/00

See application file for complete search history.

(56) **References Cited**

U.S. PATENT DOCUMENTS

D743,953 S *	11/2015	Ann	D14/239
D798,254 S *	9/2017	Kim	D14/126
D819,614 S *	6/2018	Lee	D14/239
D821,372 S *	6/2018	Lee	D14/239
D824,890 S *	8/2018	Kim	D14/239
D835,593 S *	12/2018	Shin	D14/126
D836,618 S *	12/2018	Kim	D14/239
D847,802 S *	5/2019	Kim	D14/239
D858,474 S *	9/2019	Lim	D14/126
D862,430 S *	10/2019	Lee	D14/239
D870,713 S *	12/2019	Lee	D14/239
D888,695 S *	6/2020	Seong	D14/230
D899,386 S *	10/2020	Lee	D14/126
D900,766 S *	11/2020	Kim	D14/126
D900,767 S *	11/2020	Kim	D14/126

* cited by examiner

Primary Examiner — Keli L Hill

(74) *Attorney, Agent, or Firm* — Birch, Stewart, Kolasch & Birch, LLP

(57) **CLAIM**

The ornamental design for a stand for television receiver, as shown and described.

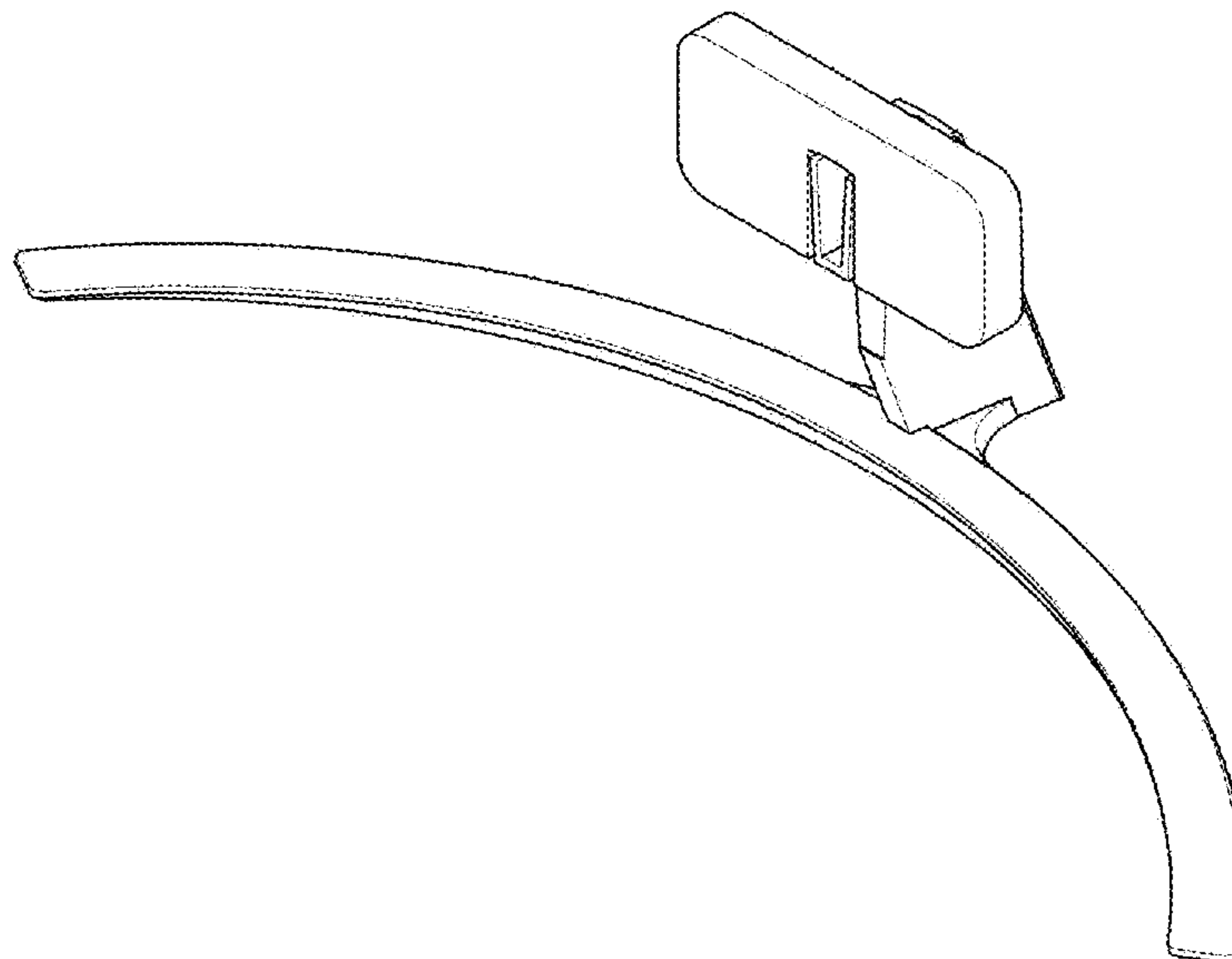
DESCRIPTION

1. Stand for television receiver

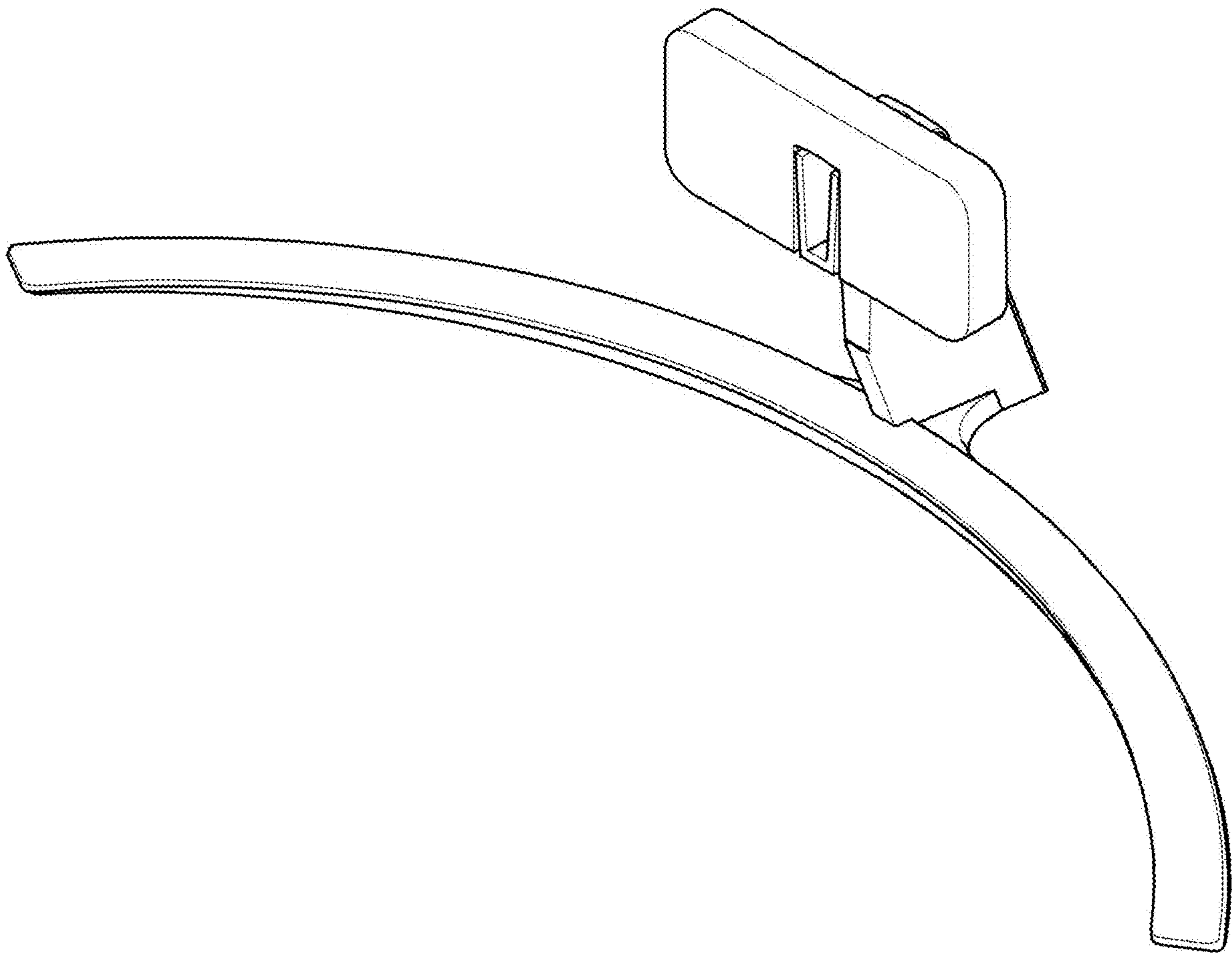
- 1.1 : Perspective
- 1.2 : Front
- 1.3 : Back
- 1.4 : Left
- 1.5 : Right
- 1.6 : Top
- 1.7 : Bottom
- 1.8 : Reference

The broken line showing of a television receiver is included in reproduction **1.8** for the purpose of illustrating environment structure of the stand for television receiver; the broken lines form no part of the claimed design.

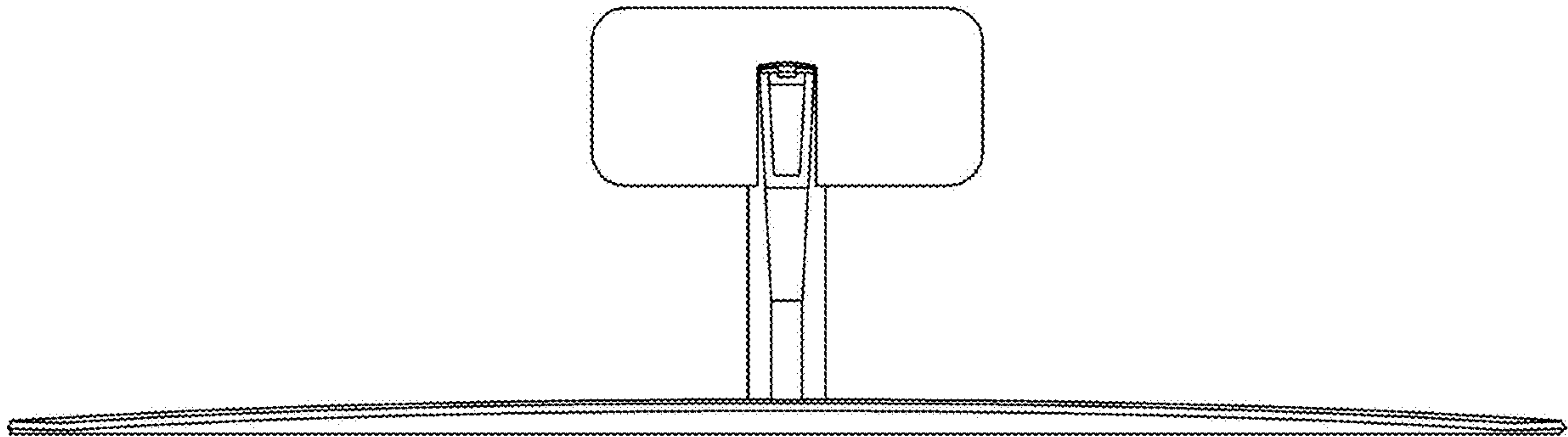
1 Claim, 8 Drawing Sheets



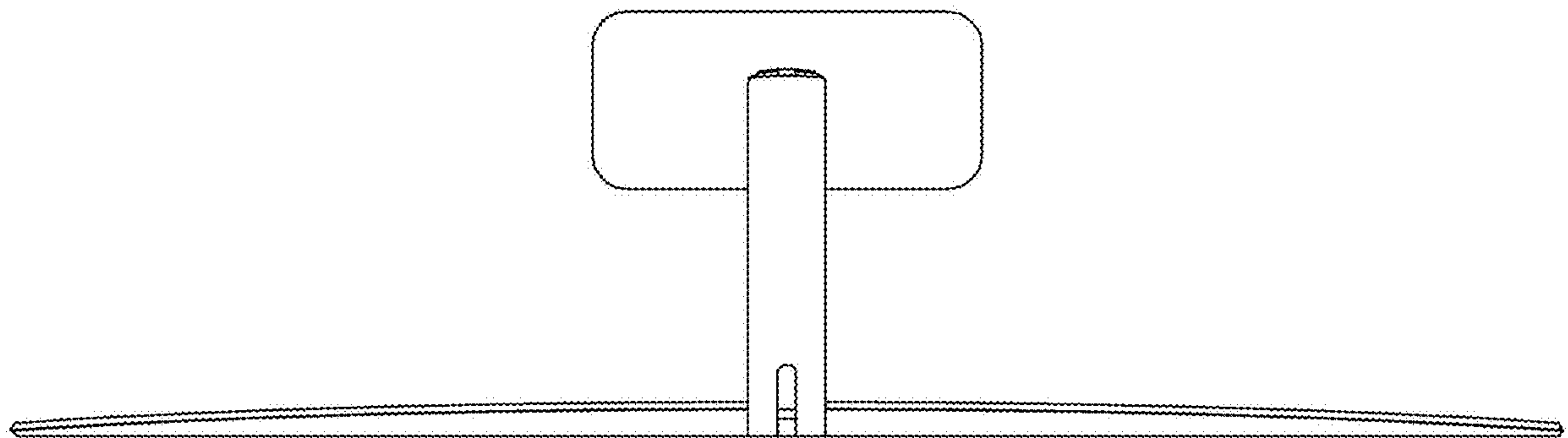
1.1



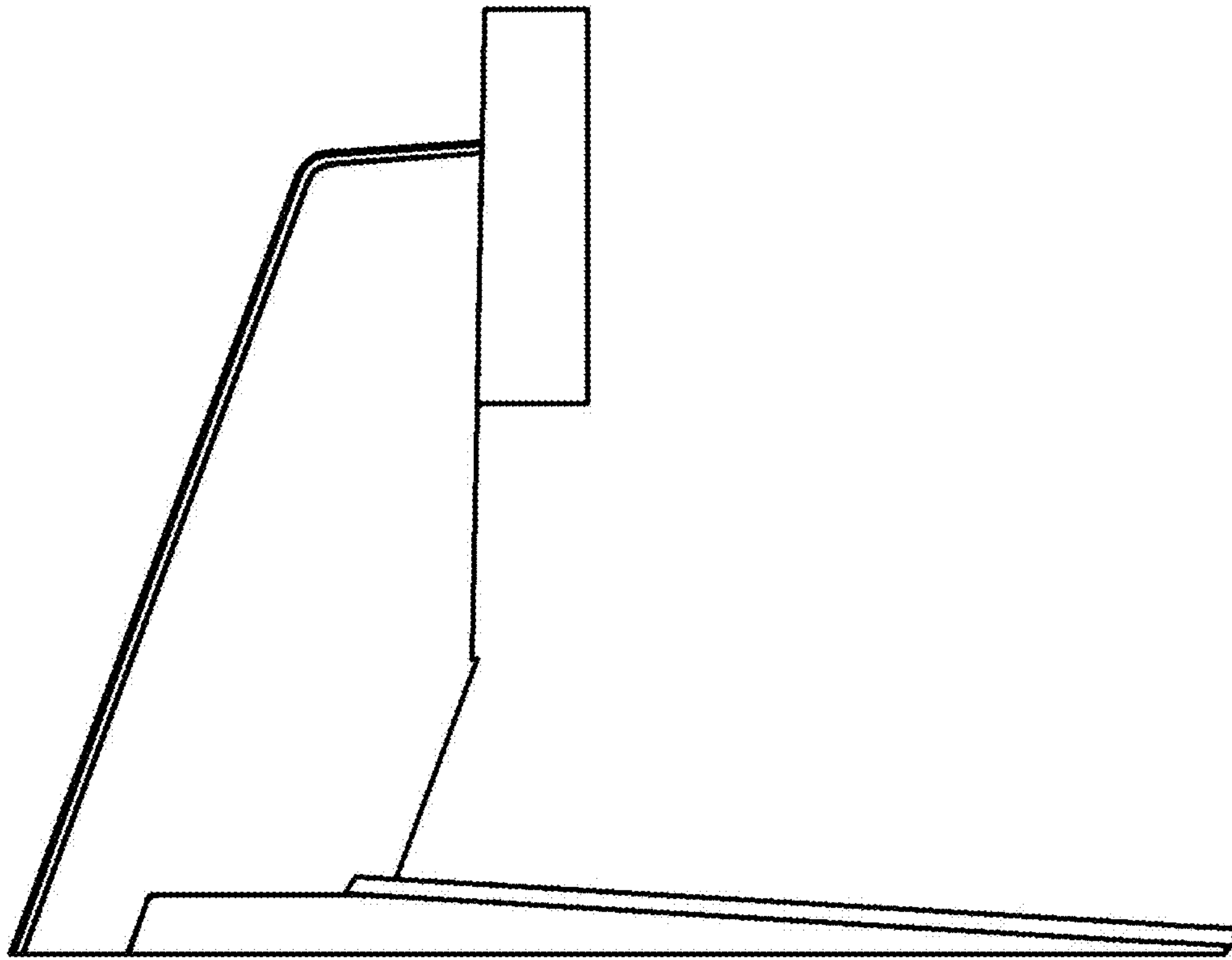
1.2



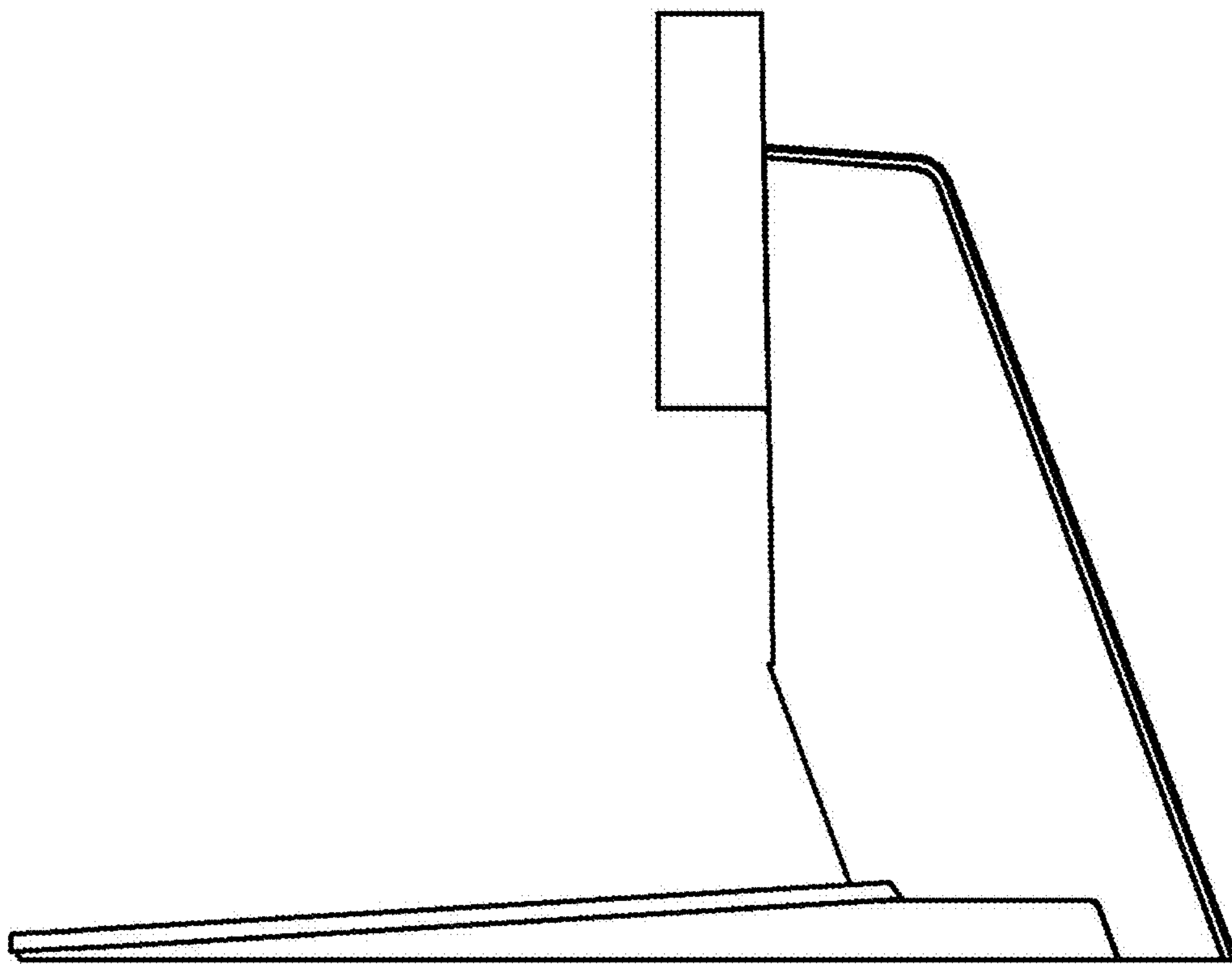
1.3



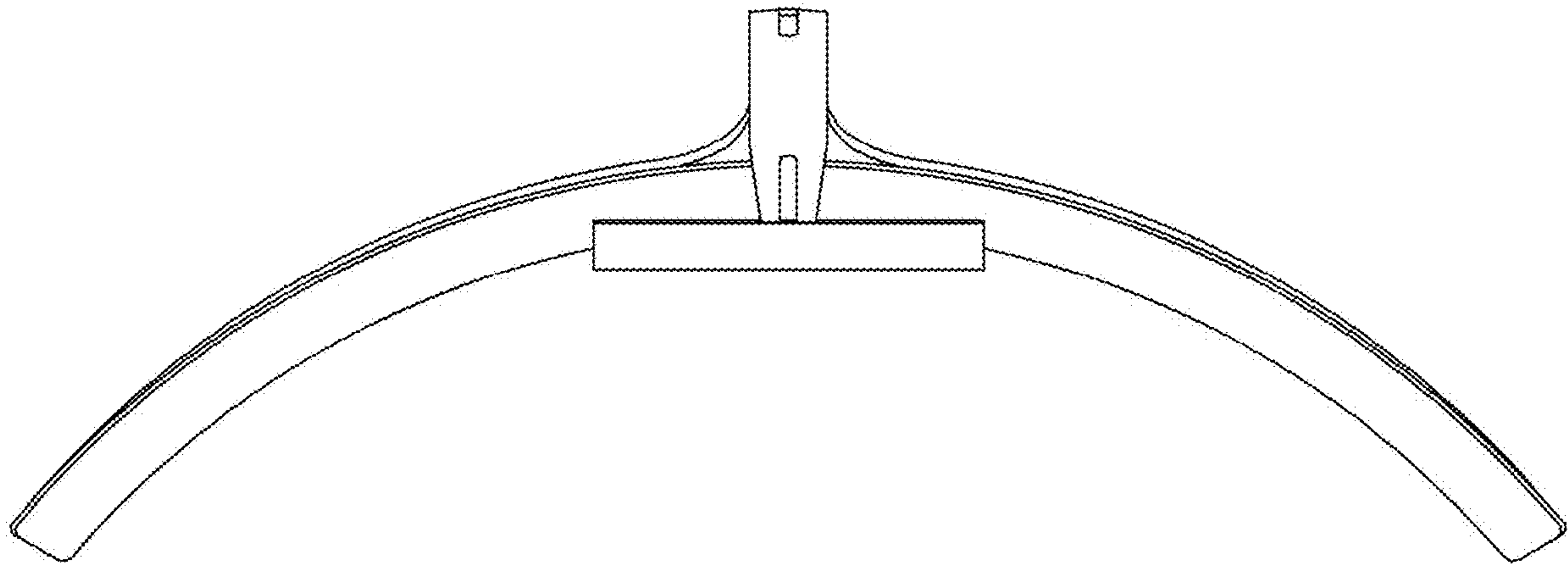
1.4



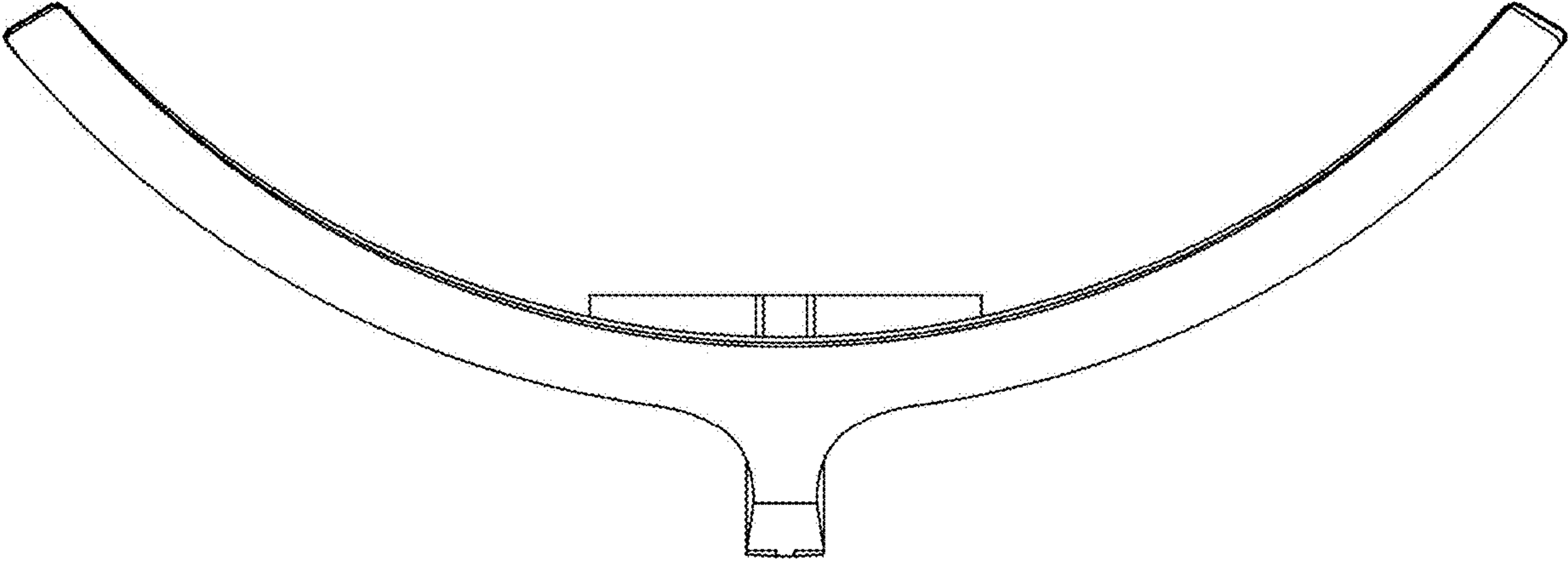
1.5



1.6



1.7



1.8

