



US00D912027S

(12) **United States Design Patent** (10) **Patent No.:** **US D912,027 S**
Lyu (45) **Date of Patent:** **** Mar. 2, 2021**

(54) **MONITOR WALL MOUNT APPARATUS**

FOREIGN PATENT DOCUMENTS

(71) Applicant: **Yaqi Lyu**, Shenzen (CN)

EM 002291906-0005 * 8/2013

(72) Inventor: **Yaqi Lyu**, Shenzen (CN)

GB 6081621 * 1/2020

(**) Term: **15 Years**

GB 6081622 * 1/2020

KR 300768711.0000 * 11/2014

KR 300768713.0000 * 11/2014

(21) Appl. No.: **29/731,232**

OTHER PUBLICATIONS

(22) Filed: **Apr. 13, 2020**

Amazon. Link: https://www.amazon.com/dp/B0742DQJBC/ref=cm_sw_em_r_mt_dp_e5NTFb2P5HD5J. Jul. 19, 2017. Loctek Ceiling TV Mount Adjustable Bracket. (Year: 2017).*

(51) **LOC (13) Cl.** **14-03**

(Continued)

(52) **U.S. Cl.**

USPC **D14/239**

(58) **Field of Classification Search**

USPC D8/355, 363, 373; D6/672, 682

CPC F16M 11/2085; F16M 11/2092; F16M

11/2007; F16M 11/2014; F16M 11/2021;

F16M 11/105; F16M 11/10; F16M

11/048; F16M 11/12; F16M 13/022

See application file for complete search history.

Primary Examiner — Lauren D McVey

(57) **CLAIM**

The ornamental design for a monitor wall mount apparatus, as shown and described.

DESCRIPTION

(56) **References Cited**

U.S. PATENT DOCUMENTS

D543,210 S * 5/2007 Stenhouse D14/452

D553,135 S * 10/2007 Muday D14/452

D576,633 S * 9/2008 Muday D14/452

D593,081 S * 5/2009 Grolle et al.

D638,023 S * 5/2011 Skull D14/452

D681,029 S * 4/2013 Richter

D816,646 S * 5/2018 Pei D14/239

D822,011 S * 7/2018 Namala D14/239

10,010,177 B1 * 7/2018 Pei F16M 11/2014

D841,631 S * 2/2019 Pei D14/239

D842,284 S * 3/2019 Pei D14/239

D848,988 S * 5/2019 Pei D14/239

D852,805 S * 7/2019 Lyu D14/452

2018/0177299 A1 * 6/2018 Pei F16M 13/02

2019/0191879 A1 * 6/2019 Pei F16M 11/105

FIG. 1 is a perspective view of a monitor wall mount apparatus showing my new design in a fully extended state; FIG. 2 is a perspective view of the monitor wall mount apparatus in a fully retracted state;

FIG. 3 is a front elevational view of FIG. 1;

FIG. 4 is a rear elevational view thereof;

FIG. 5 is a left side elevational view thereof;

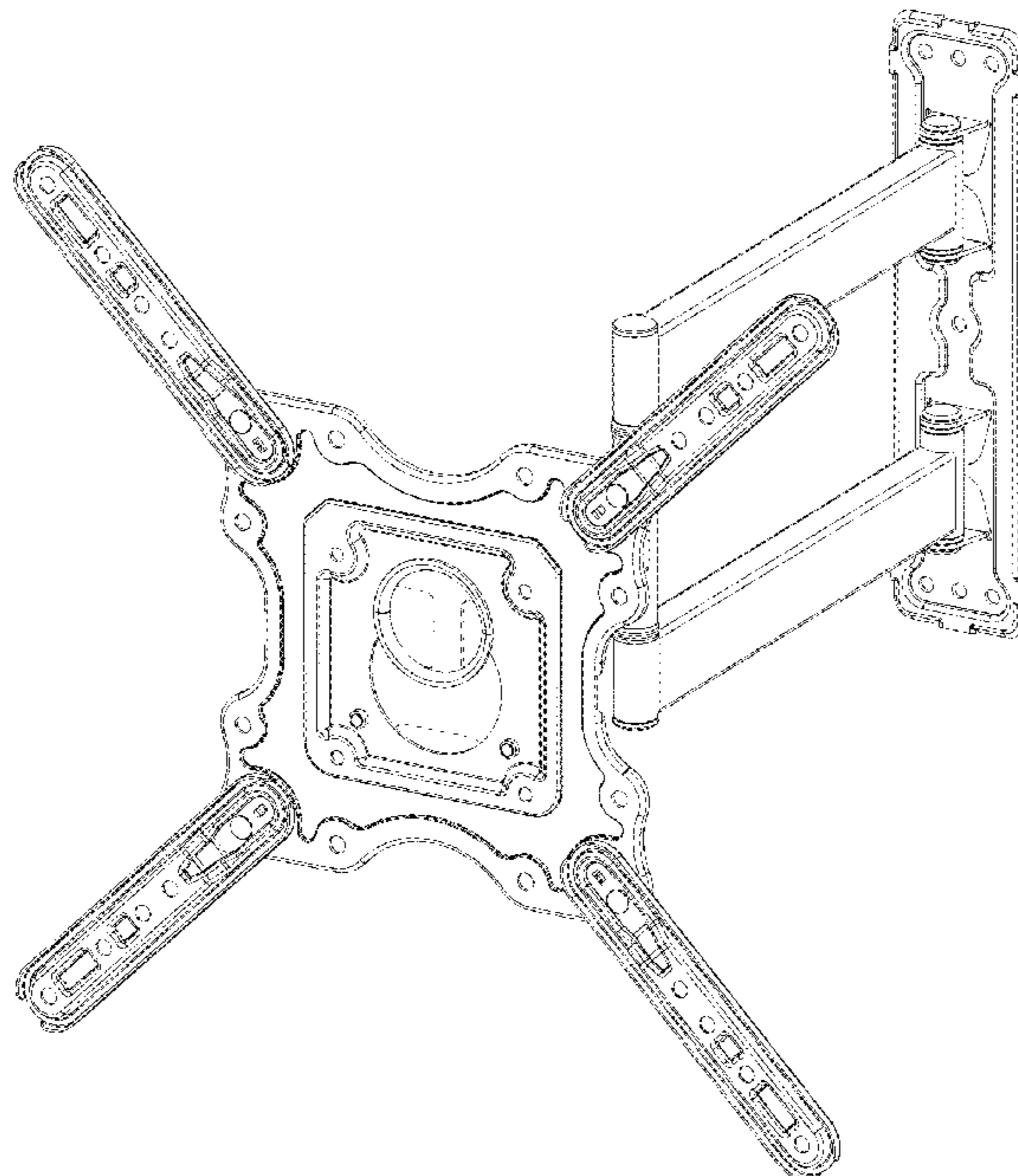
FIG. 6 is a right side elevational view thereof;

FIG. 7 is a top plan view thereof; and,

FIG. 8 is a bottom plan view thereof.

The broken lines immediately adjacent to the claim depict the bounds of the claimed design, while all other broken lines are directed to environment. The broken lines form no part of the claimed design. The wire frame lines shown throughout the views indicate surface contour.

1 Claim, 8 Drawing Sheets



(56)

References Cited

OTHER PUBLICATIONS

Amazon. Link: : https://www.amazon.com/dp/B07GFRP5HT/ref=cm_sw_em_r_mt_dp_5hxVFbBS1GQX8?_encoding=UTF8&psc=
1. Aug. 14, 2018. Vivo Black Ultra Wide Screen TV Desk Mount for up to 55 inch Screens. (Year: 2018).*

Amazon. Link: https://www.amazon.com/dp/B07Y9XK7MW/ref=cm_sw_em_r_mt_dp_qqSTFbWODK7QF?_encoding=UTF8&psc=
1. Aug. 8, 2019. Perlesmith Heavy Duty TV Wall Mount. (Year: 2018).*

* cited by examiner

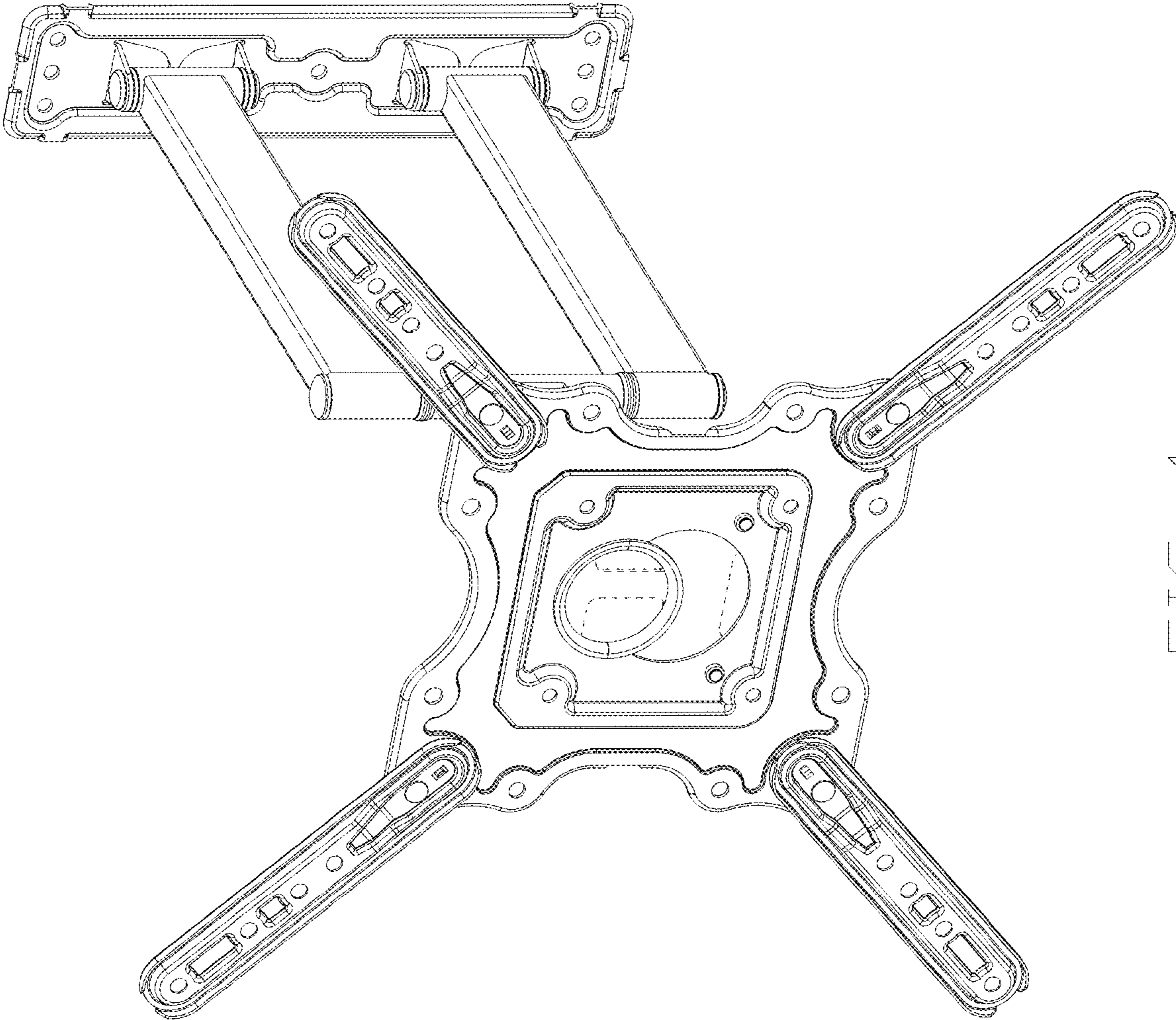


FIG. 1

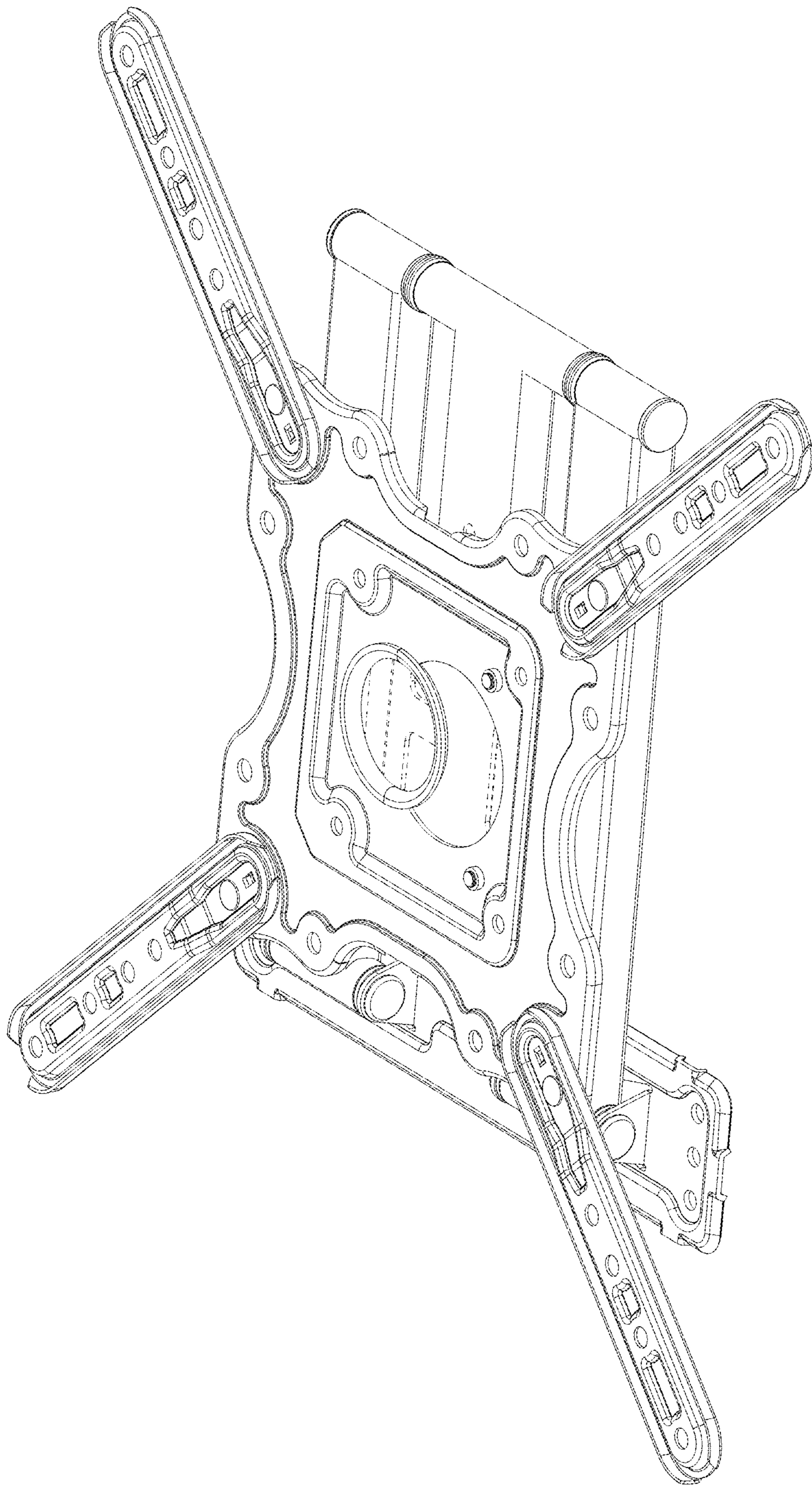


FIG. 2

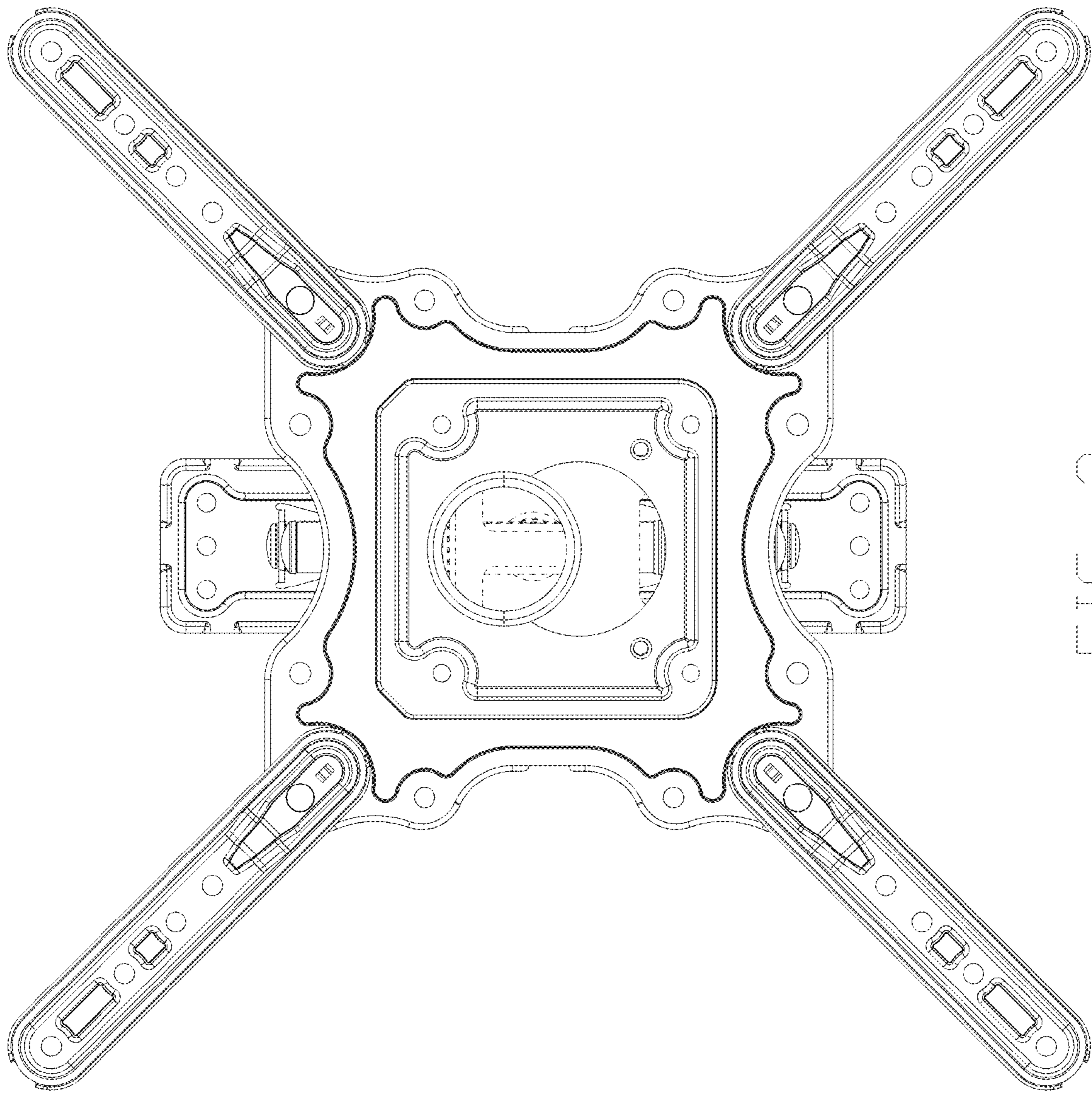


FIG. 3

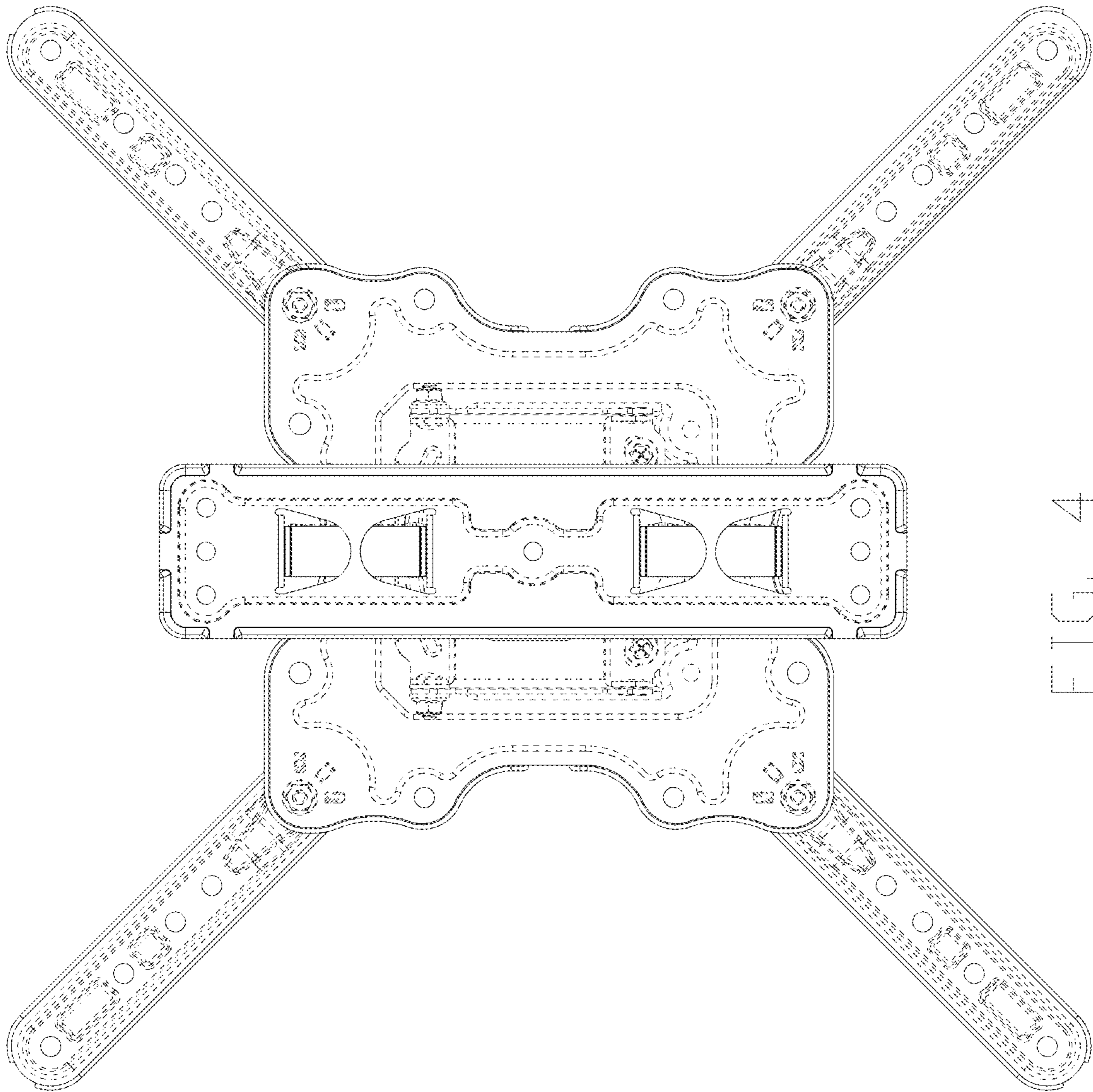


FIG. 4

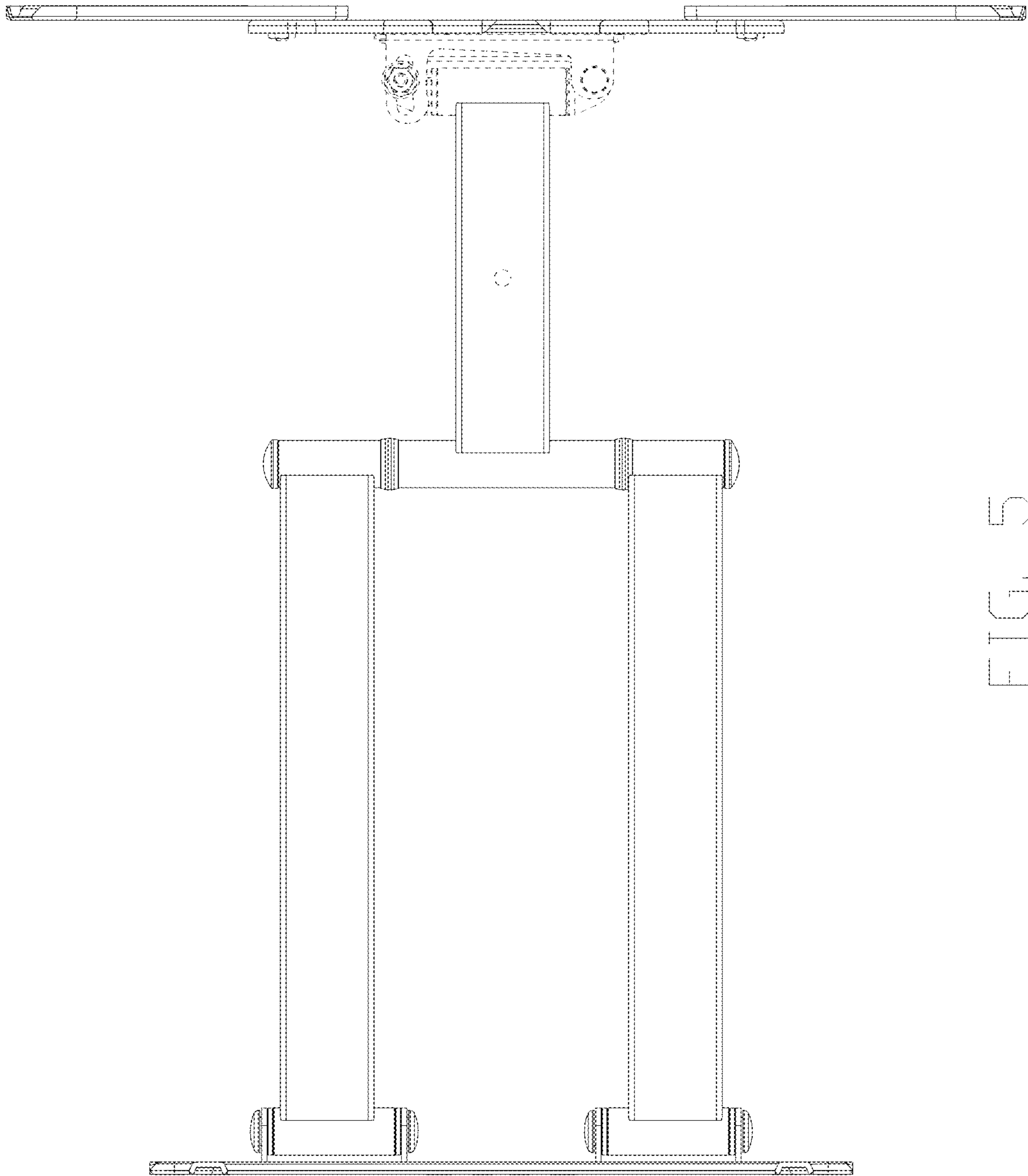


FIG. 5

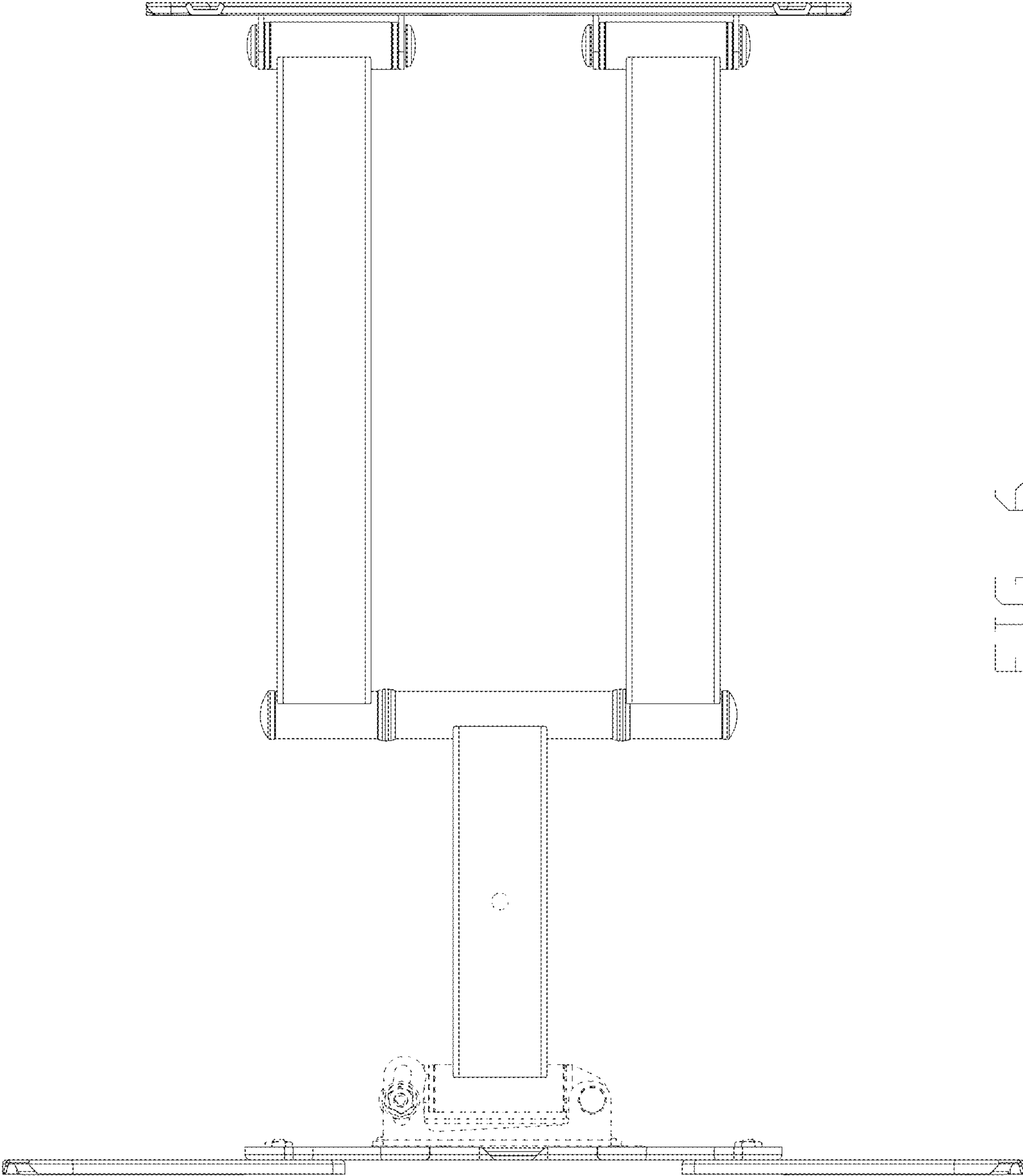


FIG. 6

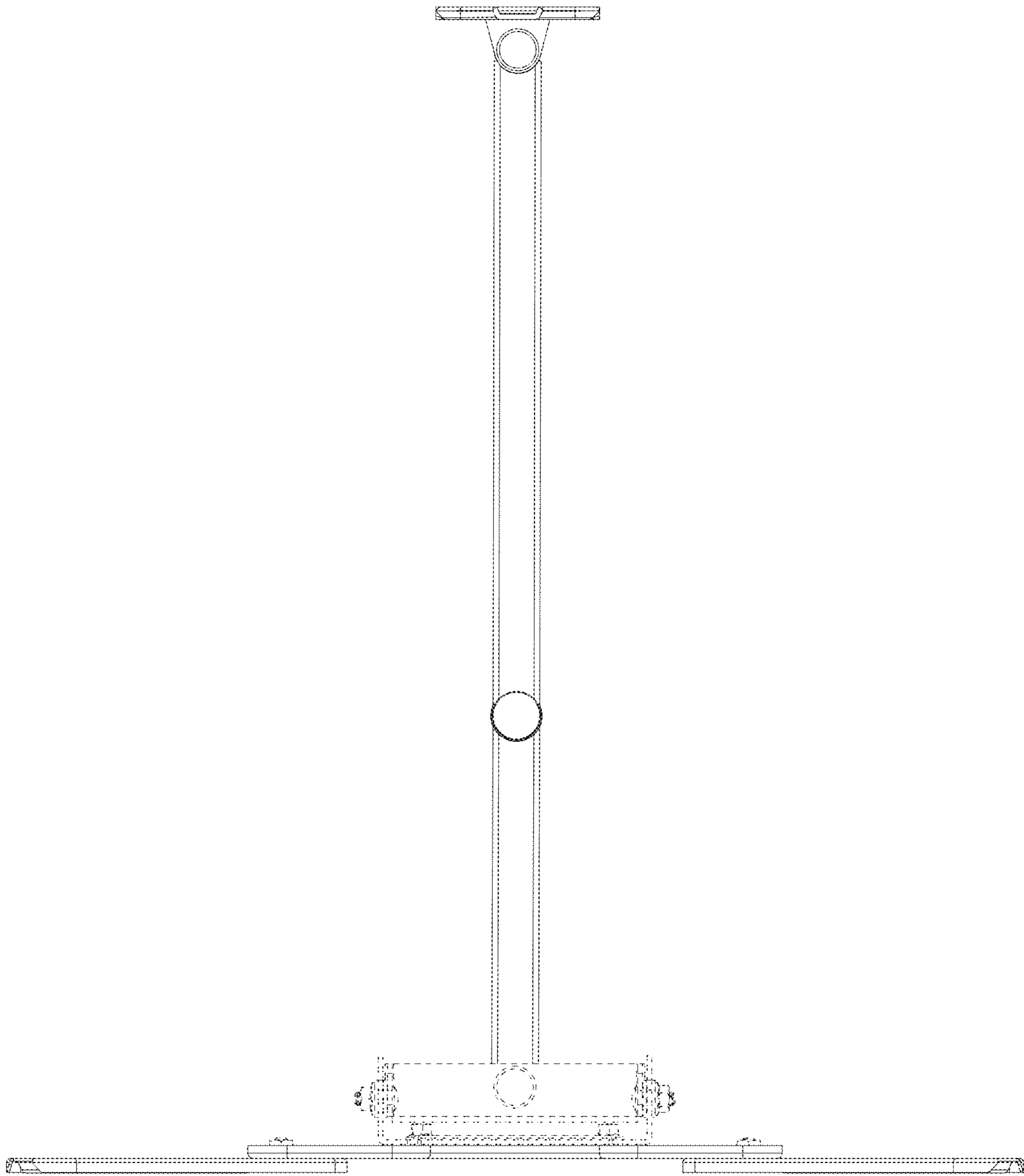


FIG. 7

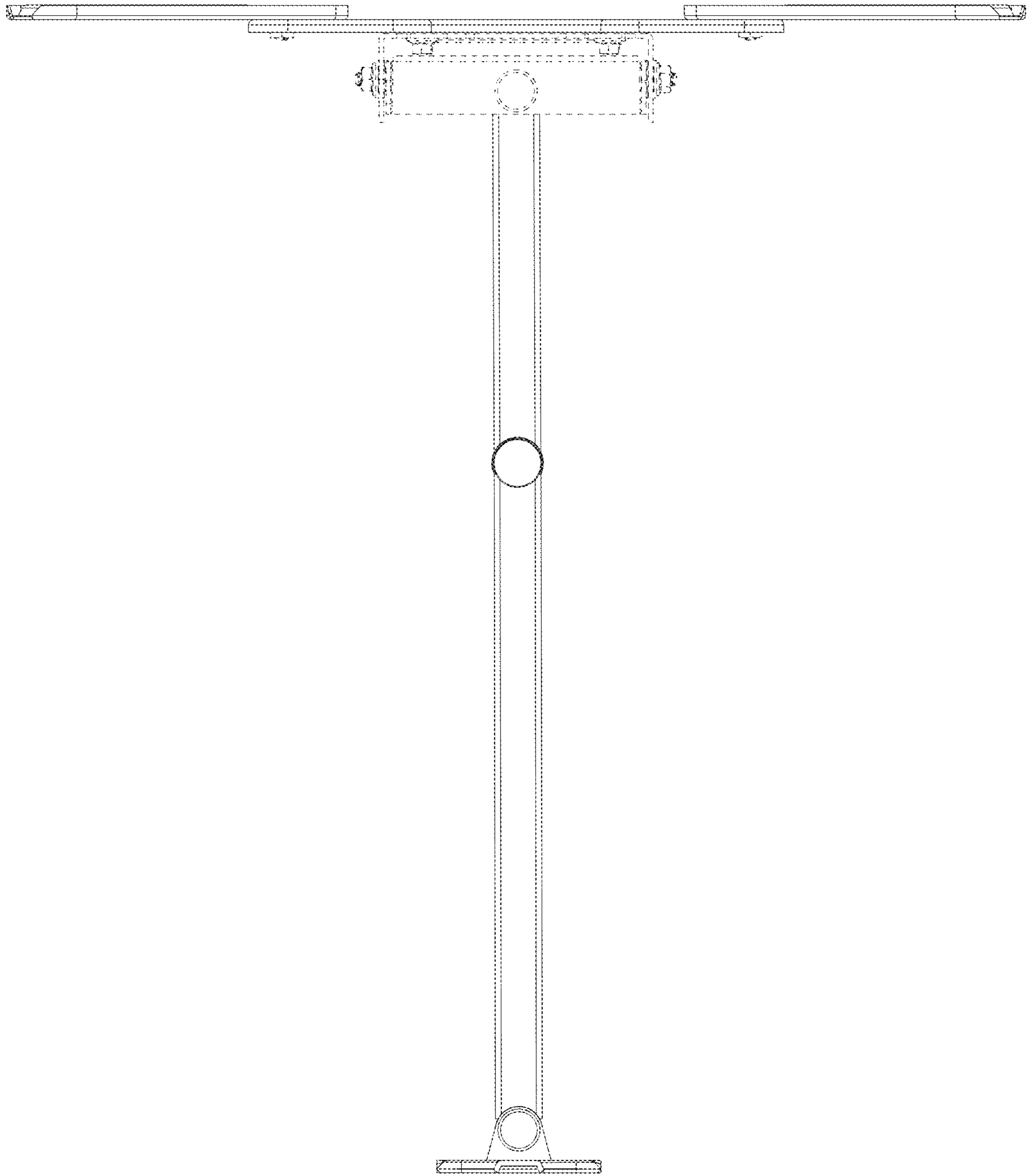


FIG. 8