



US00D912025S

(12) **United States Design Patent**
Lyu

(10) **Patent No.:** **US D912,025 S**
(45) **Date of Patent:** **** Mar. 2, 2021**

(54) **MONITOR WALL MOUNT APPARATUS**

FOREIGN PATENT DOCUMENTS

(71) Applicant: **Yaqi Lyu**, Shenzen (CN)

EM 002291906-0005 * 8/2013

(72) Inventor: **Yaqi Lyu**, Shenzen (CN)

KR 300768711.0000 * 11/2014

KR 300768713.0000 * 11/2014

(**) Term: **15 Years**

OTHER PUBLICATIONS

(21) Appl. No.: **29/727,735**

Amazon. Link : https://www.amazon.com/dp/B07SHFPD8S/ref=cm_sw_em_r_mt_dp_9oSTFbVE9SCMG?_encoding=UTF8&psc=1. May 31, 2019. Pipishell Full Motion TV Monitor Wall Mount Bracket. (Year: 2019).*

(22) Filed: **Mar. 12, 2020**

Amazon. Link: https://www.amazon.com/dp/B083KLQ45W/ref=cm_sw_em_r_mt_dp_luxVFbN9VDRGQ?_encoding=UTF8&psc=1. Jan. 7, 2020. Perlegear Full Motion TV Wall Mount Bracket. (Year: 2020).*

(51) **LOC (13) Cl.** **14-03**

(52) **U.S. Cl.**

USPC **D14/239**

(58) **Field of Classification Search**

USPC D14/447-452, 239, 371, 372, 373, 374, D14/125, 127, 128, 129, 335-337, 375, D14/376, 377, 341, 126; D8/355, 363, D8/373; D6/672, 682

CPC F16M 11/2085; F16M 11/2092; F16M 11/2007; F16M 11/2014; F16M 11/2021; F16M 11/105; F16M 11/10; F16M 11/048; F16M 11/12; F16M 13/022

See application file for complete search history.

(Continued)

Primary Examiner — Lauren D McVey

(57) **CLAIM**

The ornamental design for a monitor wall mount apparatus, as shown and described.

(56) **References Cited**

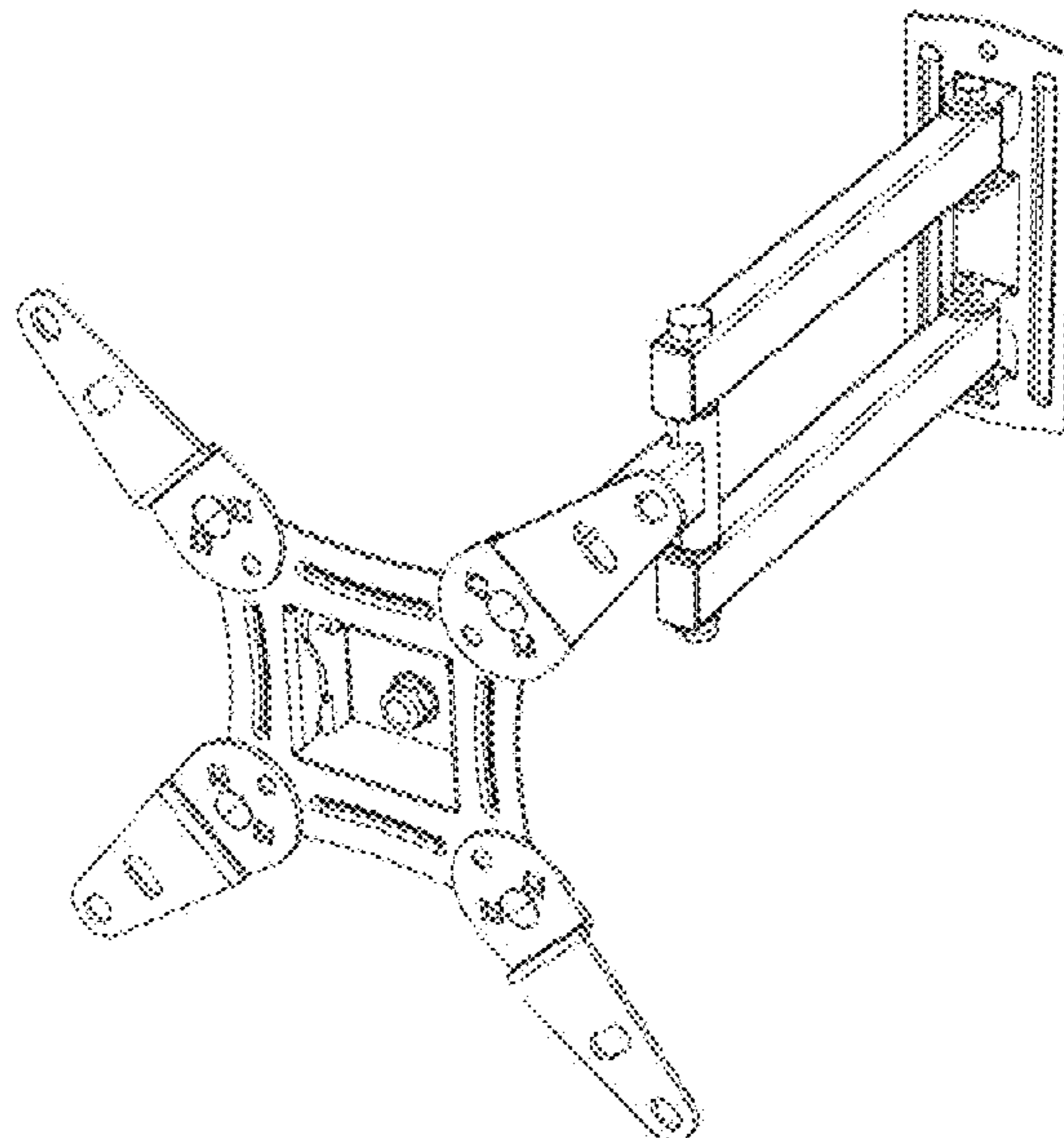
DESCRIPTION

U.S. PATENT DOCUMENTS

D543,210 S *	5/2007	Stenhouse	D14/452
D553,135 S *	10/2007	Muday	D14/452
D558,563 S *	1/2008	Ciungan	D14/452
D566,531 S *	4/2008	Massoumi	D14/452
D593,081 S	5/2009	Grolle		
D638,023 S *	5/2011	Skull	D14/452
D681,029 S	4/2013	Richter		
D816,646 S *	5/2018	Pei	D14/239
D822,011 S *	7/2018	Namala	D14/239
D841,631 S *	2/2019	Pei	D14/239
D842,284 S *	3/2019	Pei	D14/239
D848,988 S *	5/2019	Pei	D14/239
D852,805 S *	7/2019	Lyu	D14/452
2018/0177299 A1 *	6/2018	Pei	F16M 13/02
2019/0191879 A1 *	6/2019	Pei	F16M 11/105

FIG. 1 is a perspective view of a monitor wall mount apparatus showing my new design in a fully extended state; FIG. 2 is a perspective view of the monitor wall mount apparatus in a fully retracted state; FIG. 3 is a front elevational view of FIG. 1; FIG. 4 is a rear elevational view thereof; FIG. 5 is a left side elevational view thereof; FIG. 6 is a right side elevational view thereof; FIG. 7 is a top plan view thereof; and, FIG. 8 is a bottom plan view thereof. The wire frame lines shown throughout the views indicate surface contour.

1 Claim, 8 Drawing Sheets



(56)

References Cited

OTHER PUBLICATIONS

Amazon. Link: https://www.amazon.com/dp/B0822P3RHQ/ref=cm_sw_em_r_mt_dp_U6RTFb9BVHQ7A?_encoding=UTF8&psc=1. Nov. 27, 2019. FOZIMOA Full Motion TV Wall Mount Bracket. (Year: 2019).*

Amazon. Link: https://www.amazon.com/dp/B000WYVBR0/ref=cm_sw_em_r_mt_dp_8TpYFbBPWND4B. Oct. 9, 2007. VideoSecu ML531BE2 TV Wall Mount kit. (Year: 2007).*

* cited by examiner

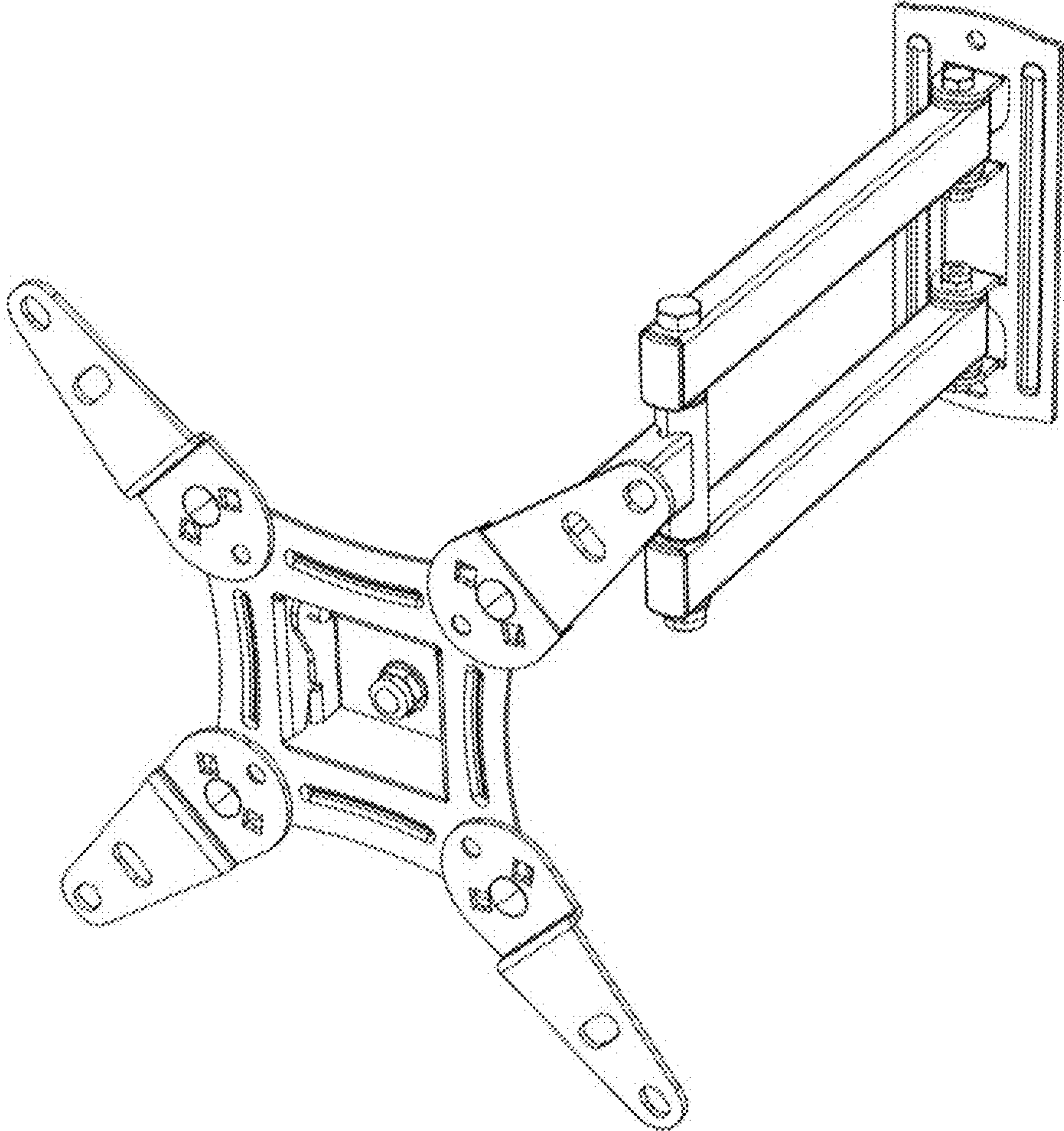


Fig. 1

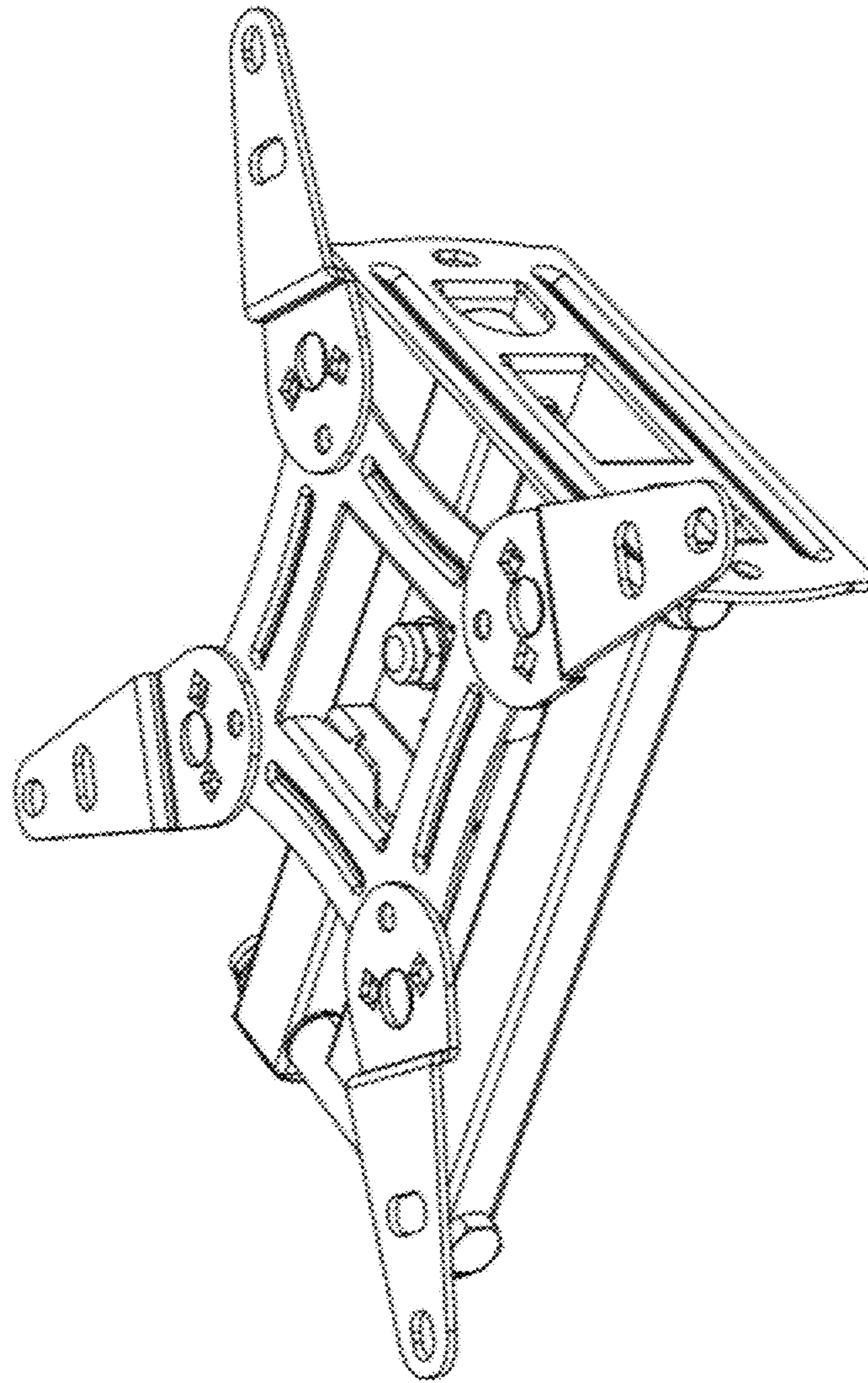


Fig. 2

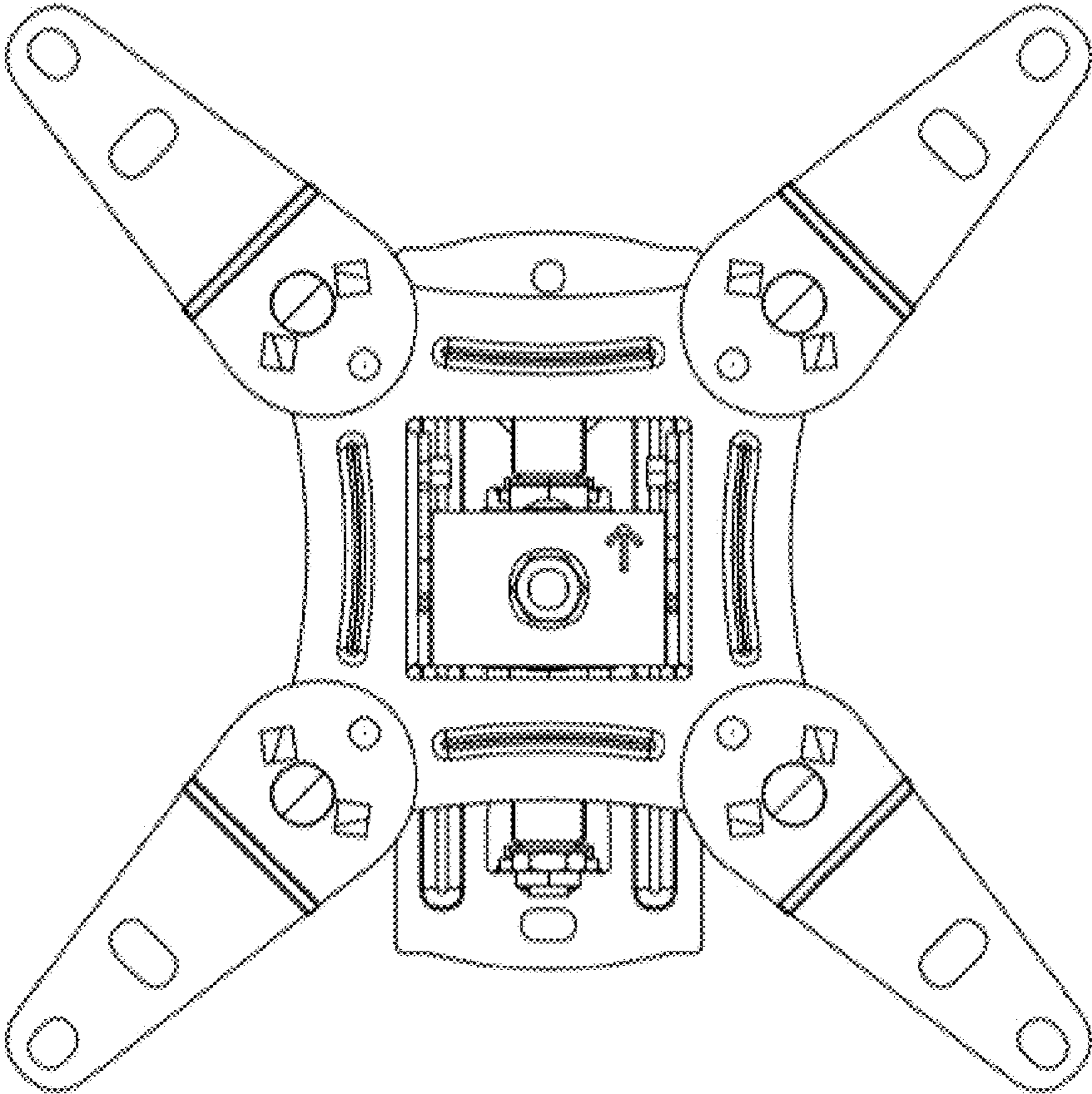


Fig. 3

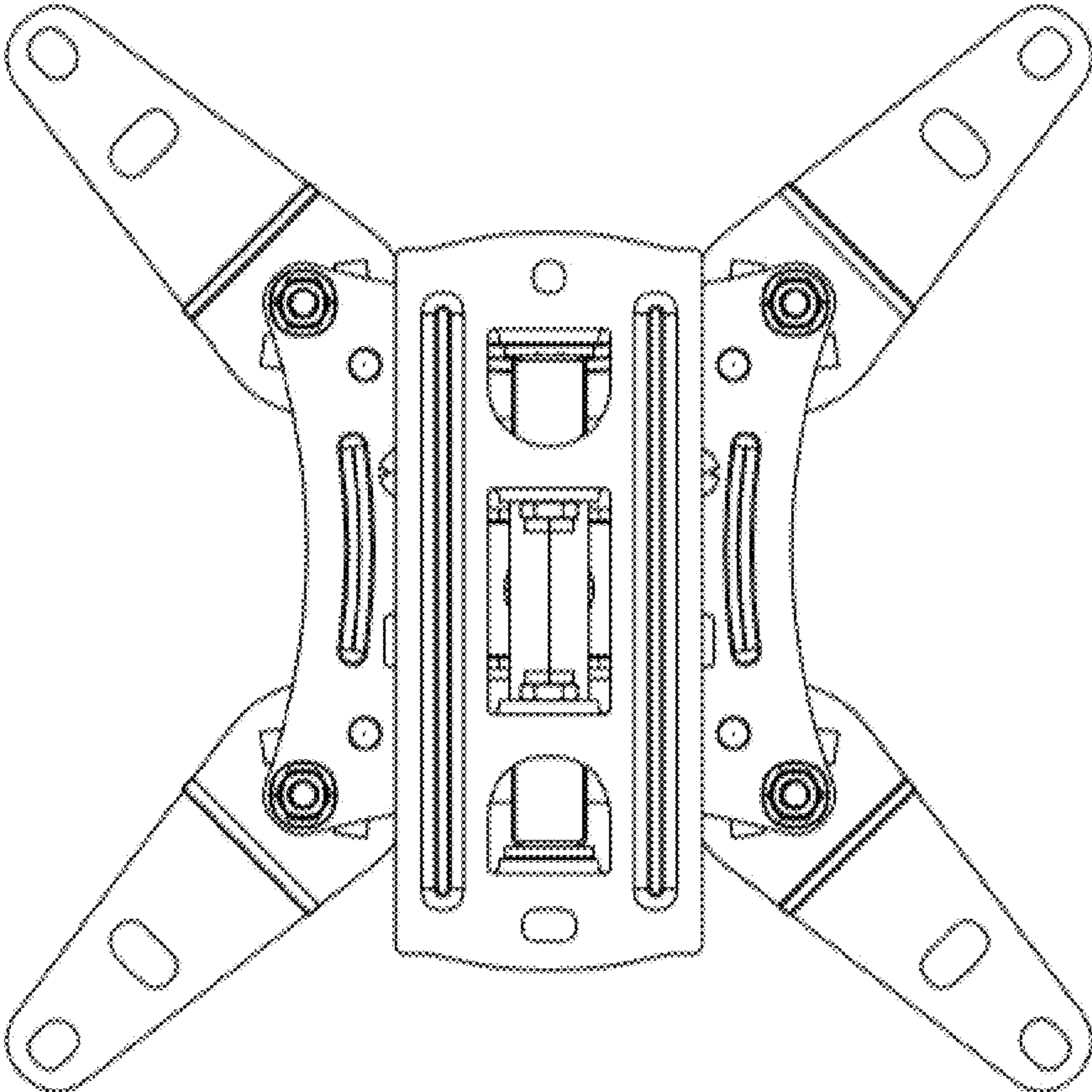


Fig. 4

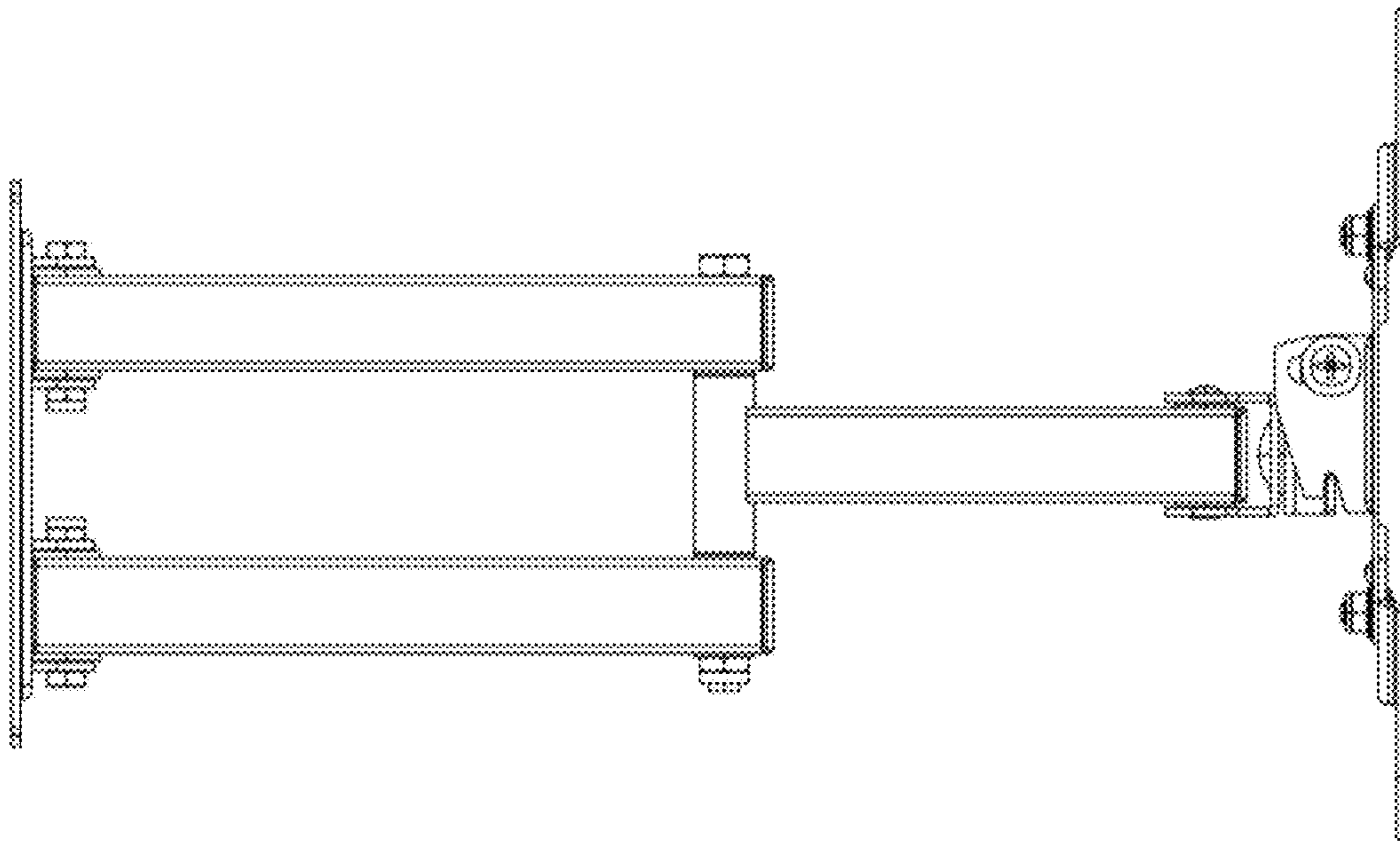


Fig. 5

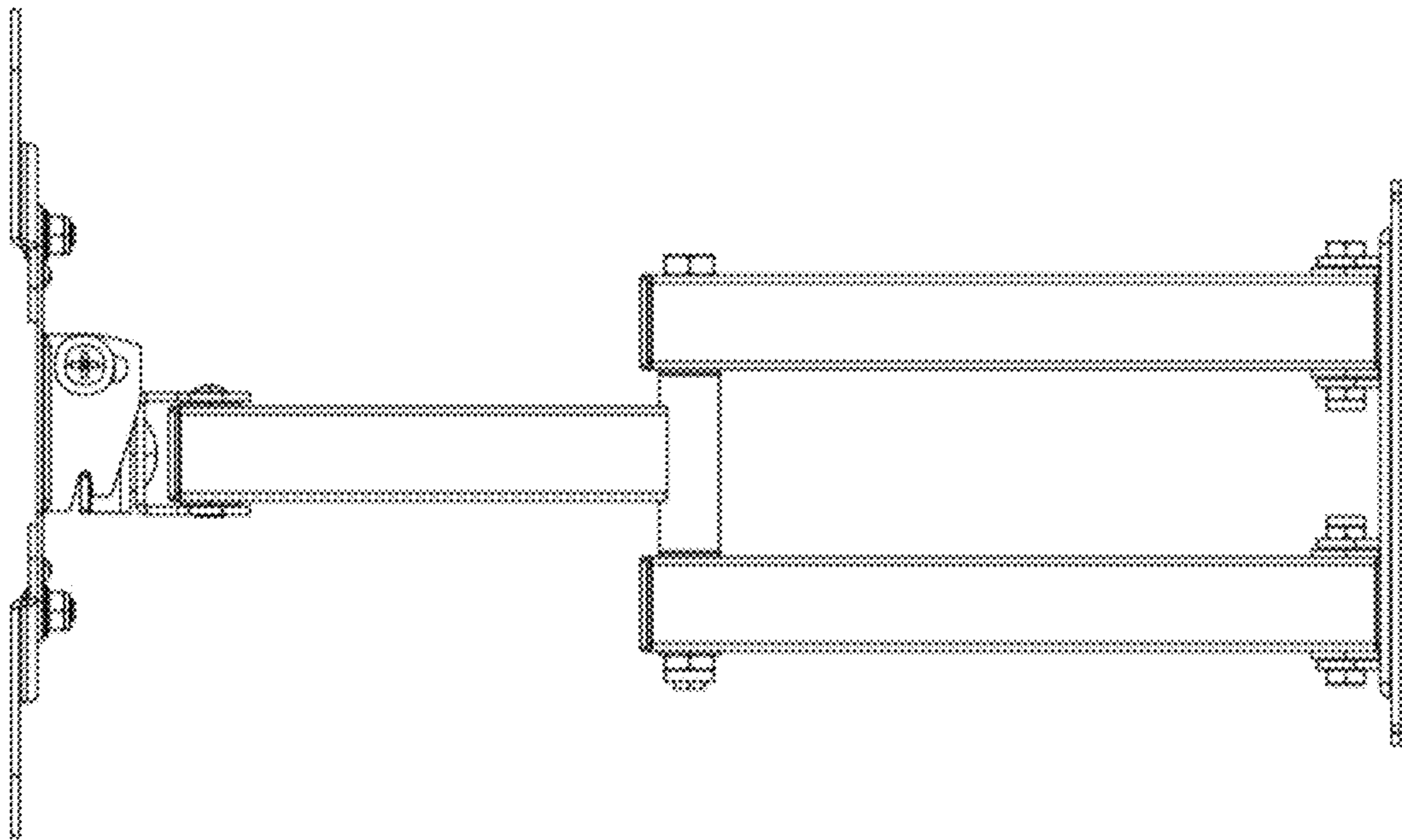


Fig. 6

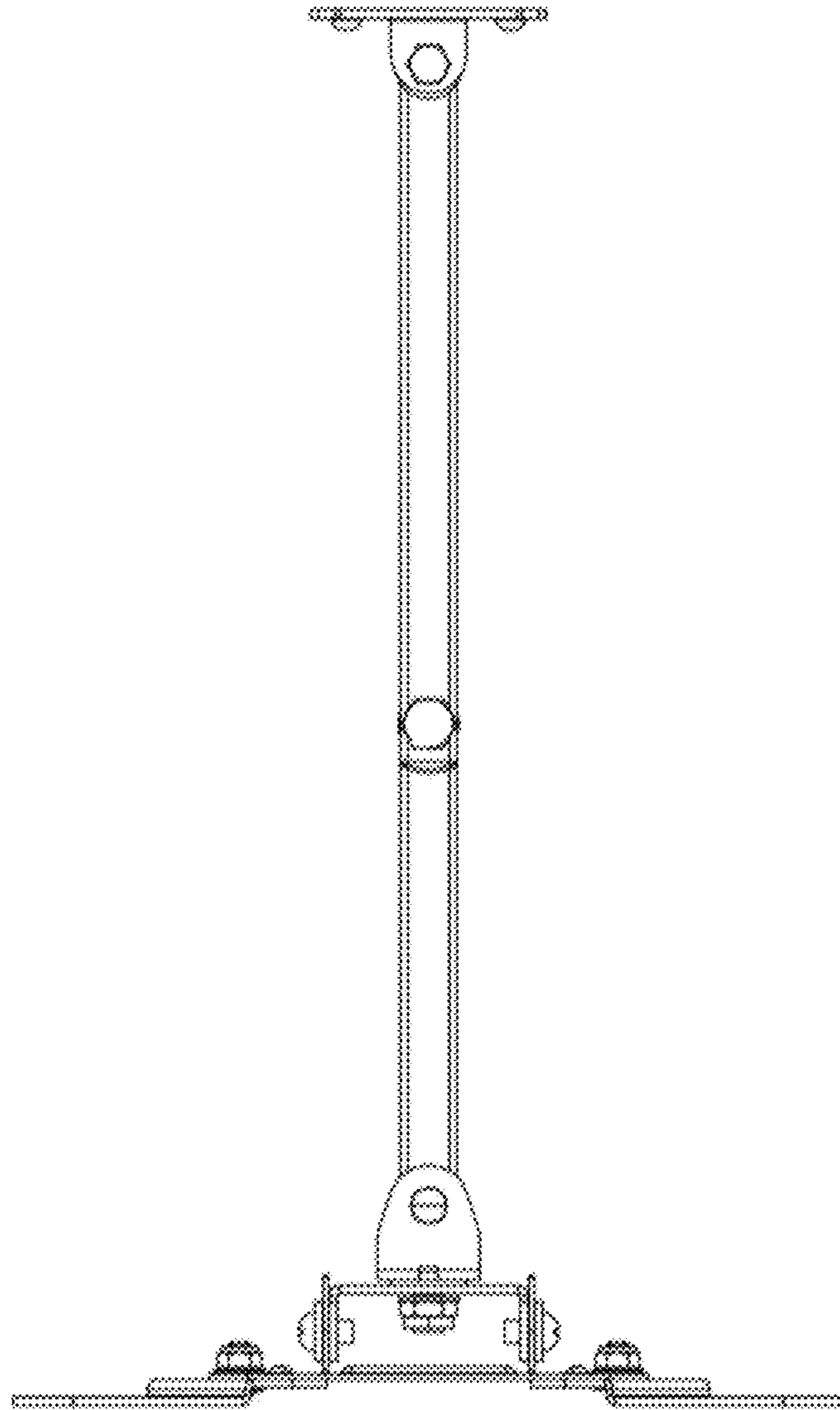


Fig. 7

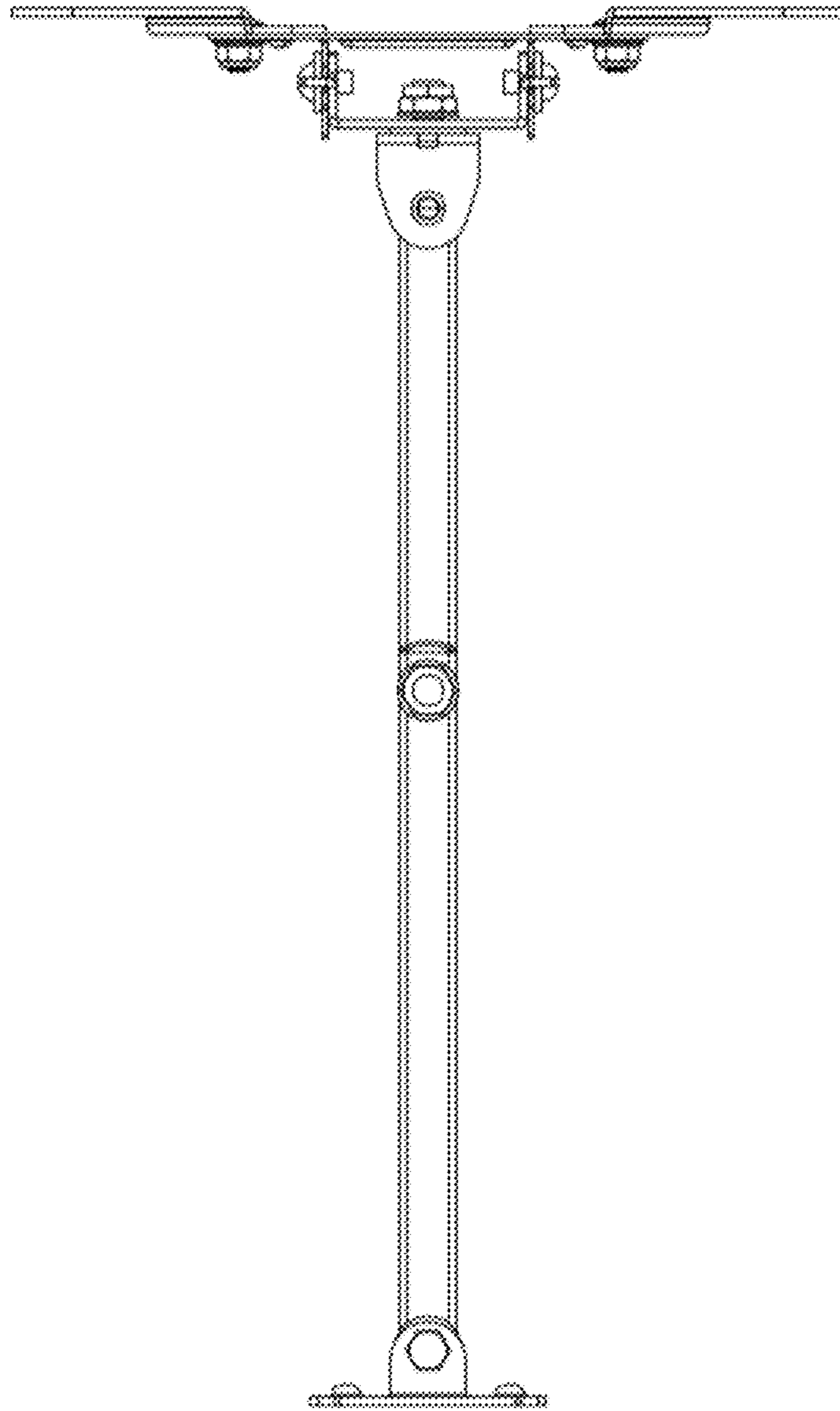


Fig. 8