



US00D912024S

(12) **United States Design Patent**
Pei

(10) **Patent No.:** **US D912,024 S**
(45) **Date of Patent:** **** Mar. 2, 2021**

(54) **TV MOUNT BRACKET**

(71) Applicant: **Xinadda (Hong Kong) Limited**, Lai Chi Kok (CN)

(72) Inventor: **Xubo Pei**, Shenzhen (CN)

(73) Assignee: **XINADDA (HONG KONG) LIMITED**, Lai Chi Kok (CN)

(**) Term: **15 Years**

(21) Appl. No.: **29/711,697**

(22) Filed: **Nov. 1, 2019**

(51) **LOC (13) Cl.** **14-03**

(52) **U.S. Cl.**
USPC **D14/239**

(58) **Field of Classification Search**
USPC ... D14/451, 239, 217, 224, 230, 238, 238.1,
D14/448, 432, 300, 447, 336; D6/672;
D8/349, 363
CPC .. F16M 13/02; F16M 11/046; Y10S 248/923;
Y10S 248/917; Y10S 248/918; H05K
5/0017; H05K 5/0204

See application file for complete search history.

(56) **References Cited**

U.S. PATENT DOCUMENTS

D493,800 S *	8/2004	Pfister	D14/451
7,195,214 B2 *	3/2007	Lee	F16M 11/08 248/125.8
D598,458 S *	8/2009	Li	D14/451
D614,611 S *	4/2010	Leung	D14/239
D625,302 S *	10/2010	Kasuga	D14/239
D635,130 S *	3/2011	Skull	D14/239
D712,691 S *	9/2014	Xiang	D6/678.1
D836,091 S *	12/2018	Shu	D14/239
D853,403 S *	7/2019	Lyu	D14/451
D877,743 S *	3/2020	Pei	D14/451
D877,745 S *	3/2020	Knapp	D14/452

OTHER PUBLICATIONS

Onn. Swivel TV Base for TV's 32" to 65", first available Jun. 3, 2020, walmart.com, [online], [site visited Nov. 16, 2020], Available from internet URL: <https://www.walmart.com/ip/onn-Swivel-TV-Base-for-TV-s-32-to-65/955558225> (Year: 2020).*

Kanto TTS100 Tabletop TV Stand for 37-inch to 60-inch TVs, first available Apr. 5, 2020, newegg.com, [online], [site visited Nov. 12, 2020], Available from internet URL: <https://www.newegg.com/p/0rc-00GV-00007> (Year: 2020).*

Forging Mount Universal TV Stan, first available Jun. 9, 2019, amazon.com, [online], [site visited Nov. 12, 2020], Available from internet URL: <https://www.amazon.com/dp/B07SQPC7DJ/> (Year: 2019).*

* cited by examiner

Primary Examiner — Samantha Q Lawrence

Assistant Examiner — Holly M Rodriguez

(74) *Attorney, Agent, or Firm* — Fish IP Law, LLP

(57) **CLAIM**

The ornamental design for a TV mount bracket, as shown and described.

DESCRIPTION

FIG. 1 is a front perspective view of a TV mount bracket showing my new design.

FIG. 2 is a rear perspective view thereof.

FIG. 3 is a front view thereof.

FIG. 4 is a rear view thereof.

FIG. 5 is a left side view thereof.

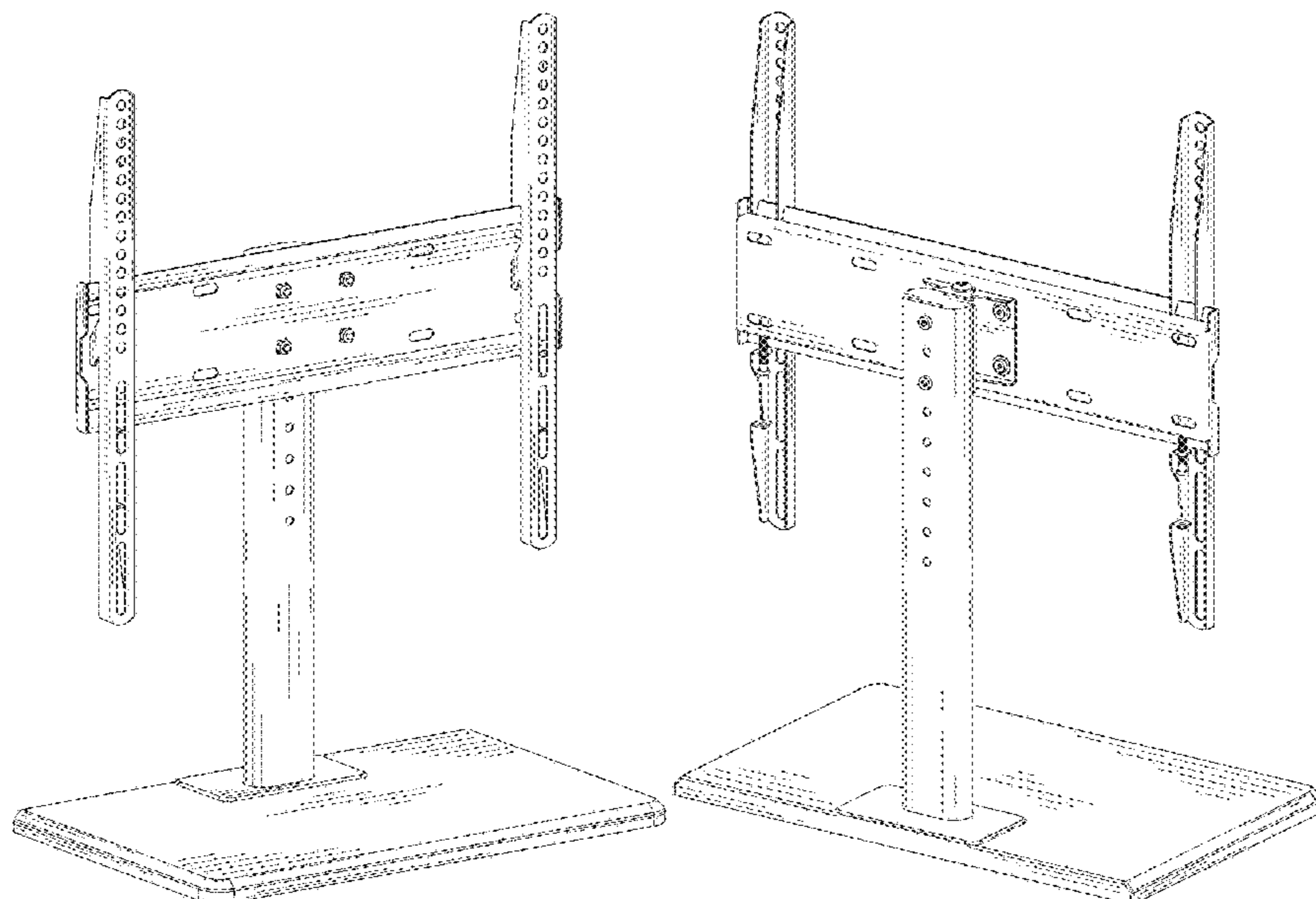
FIG. 6 is a right side view thereof.

FIG. 7 is a top side view thereof; and,

FIG. 8 is a bottom side view thereof.

The broken lines in figures show portions of the TV mount bracket that form no part of the claimed design.

1 Claim, 8 Drawing Sheets



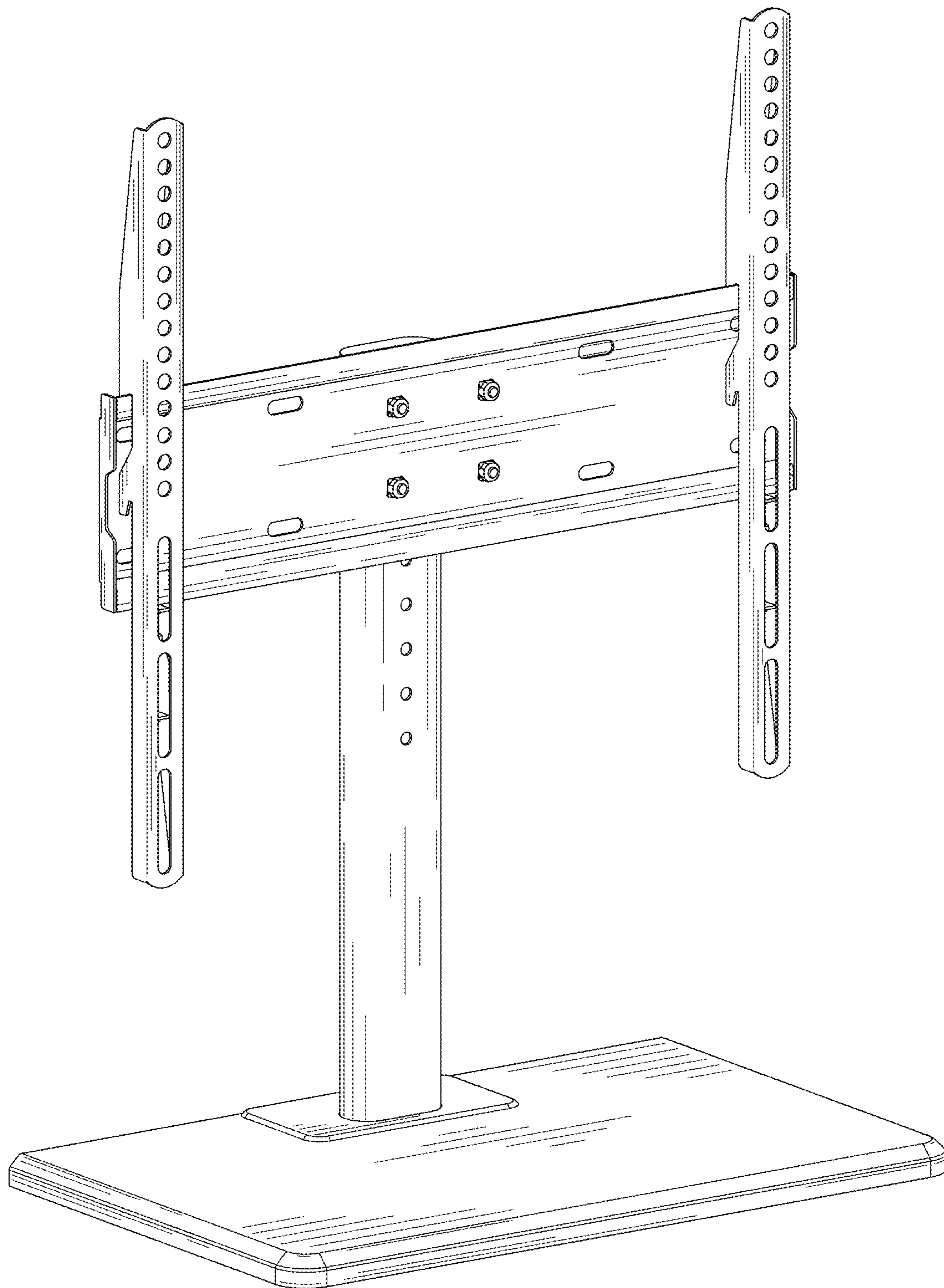


FIG. 1

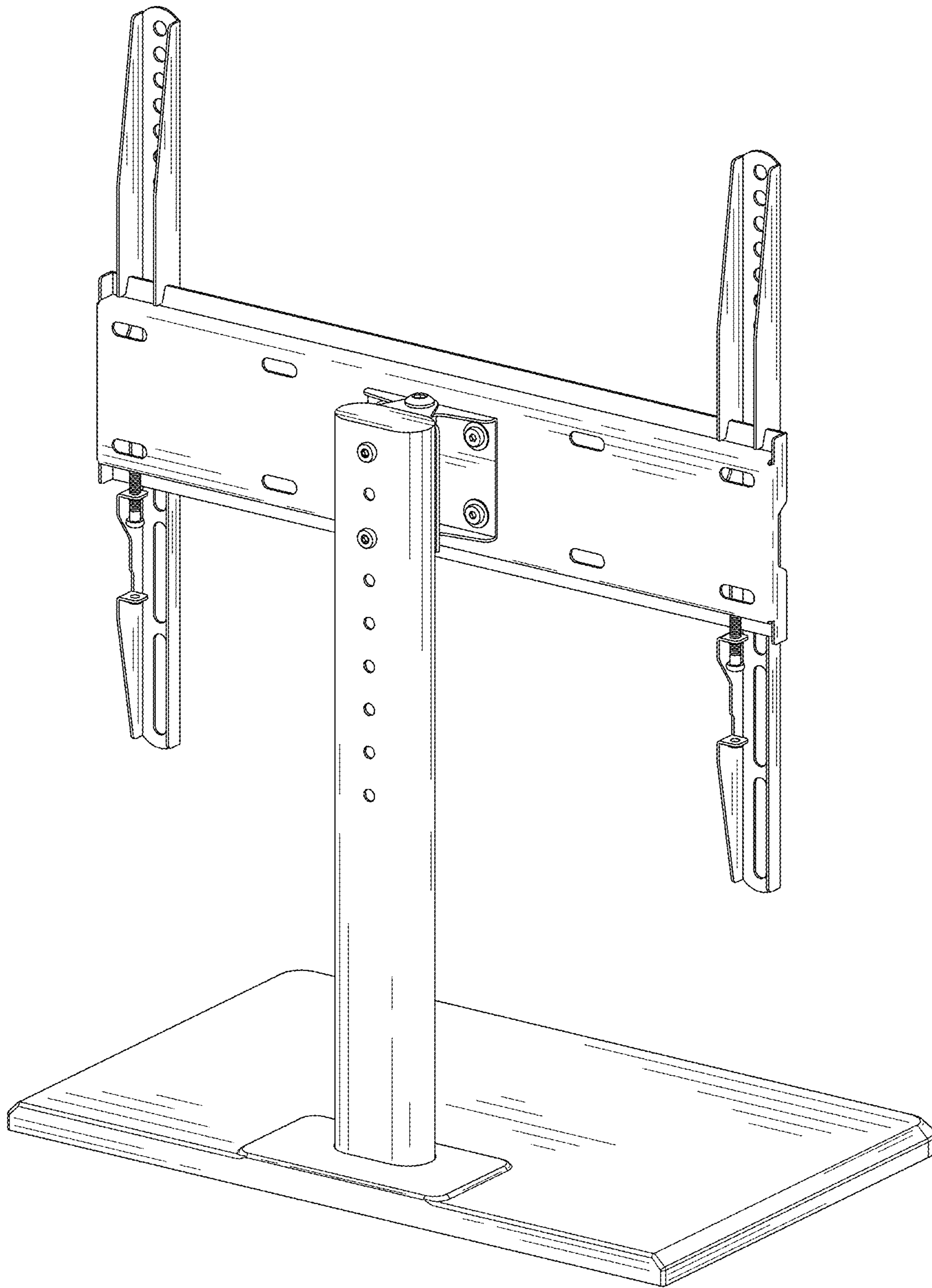


FIG. 2

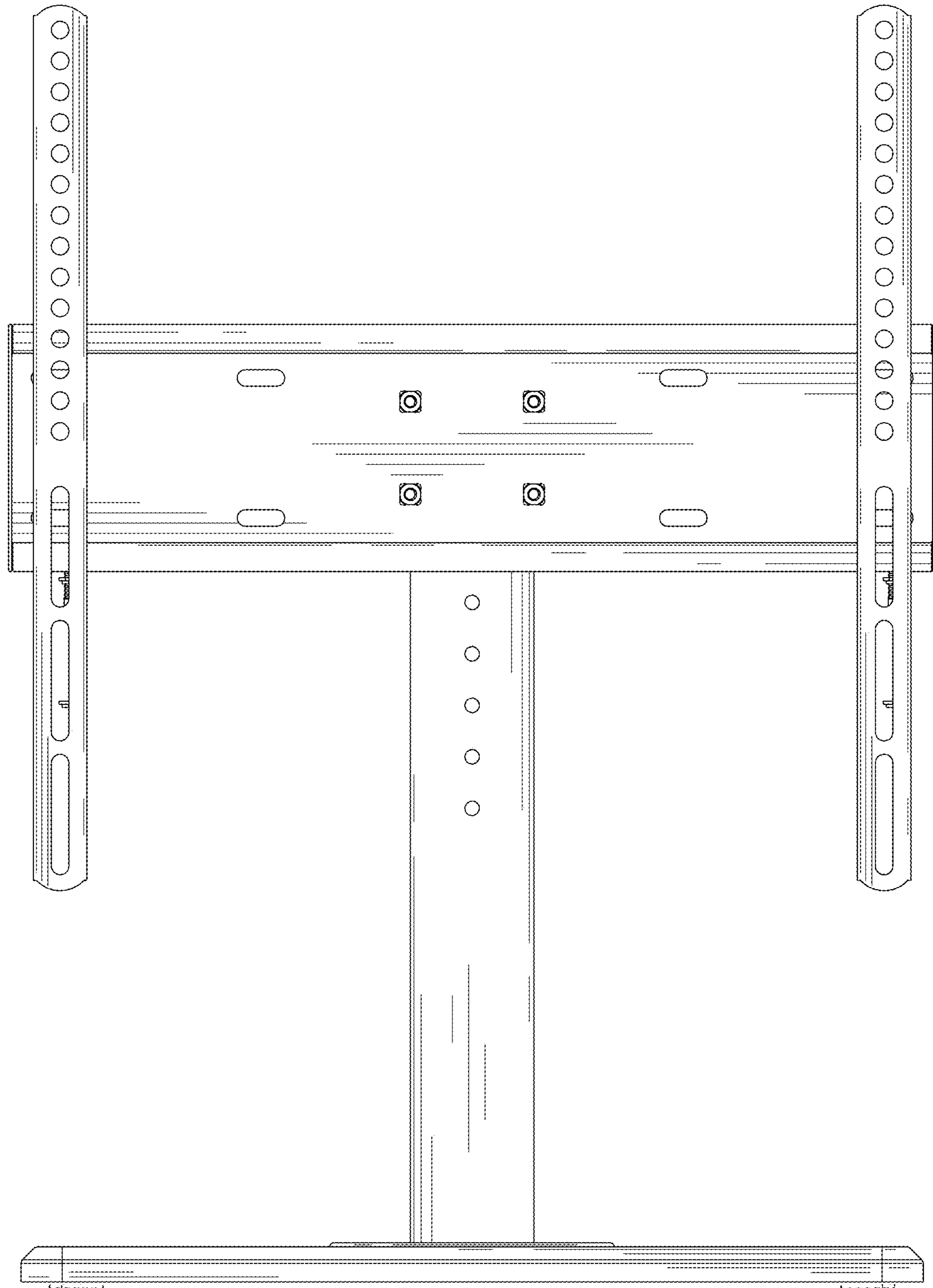


FIG. 3

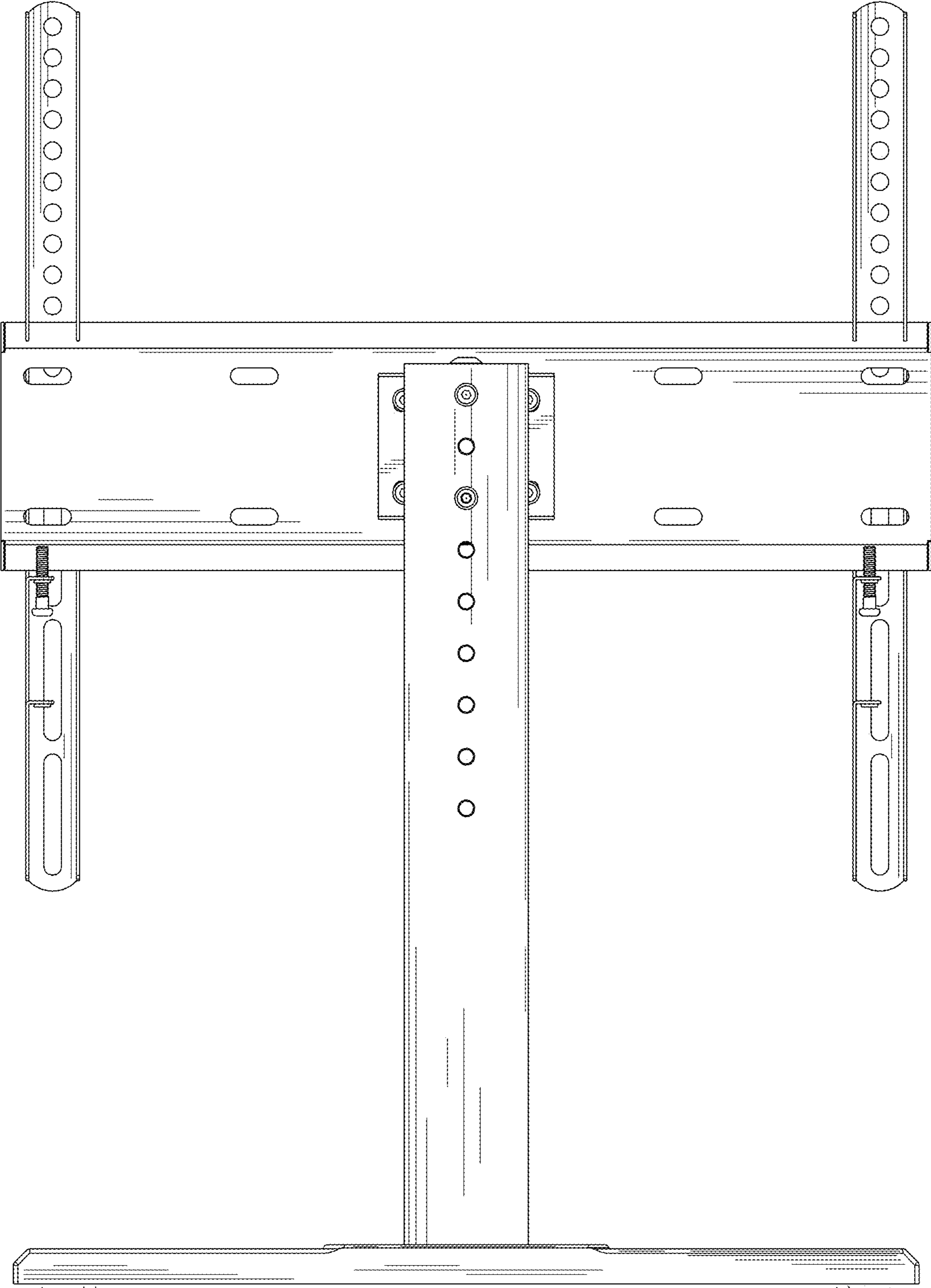


FIG. 4

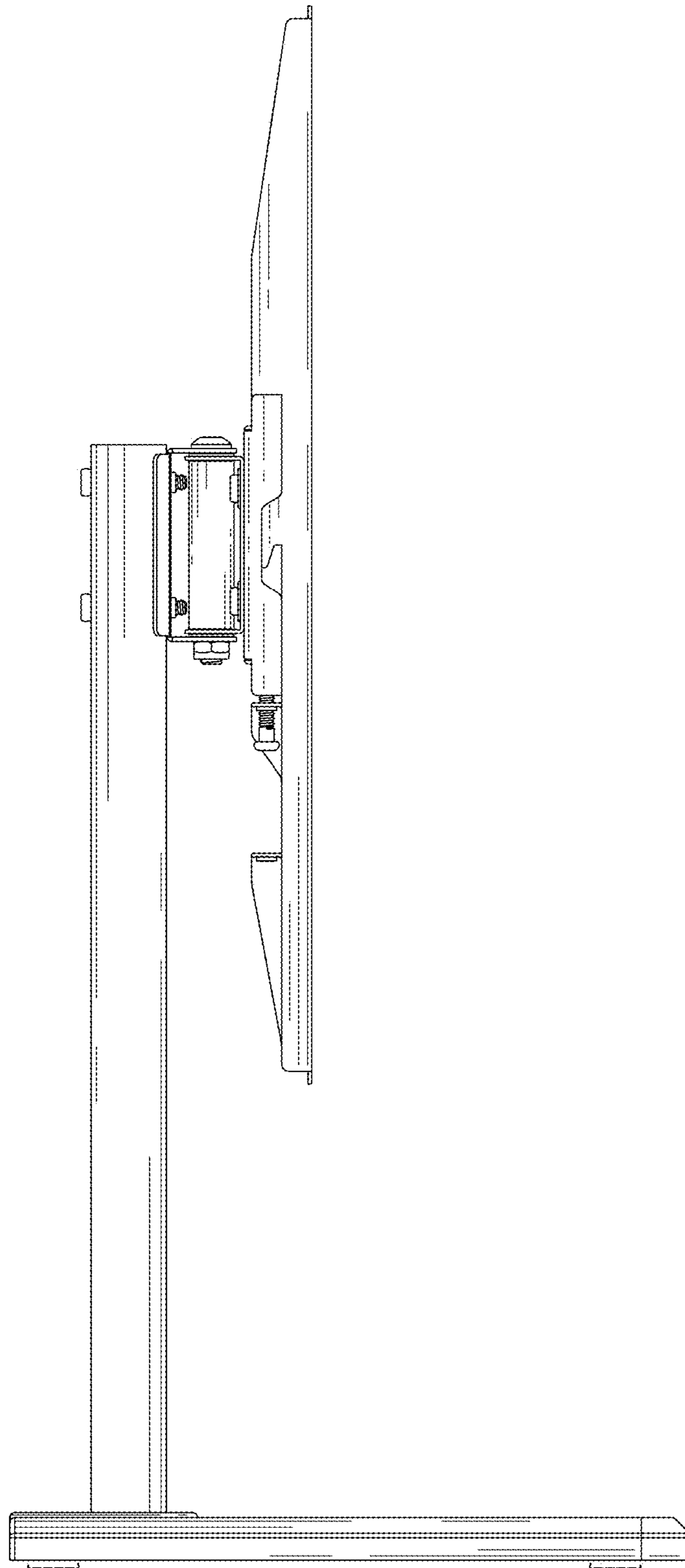


FIG. 5

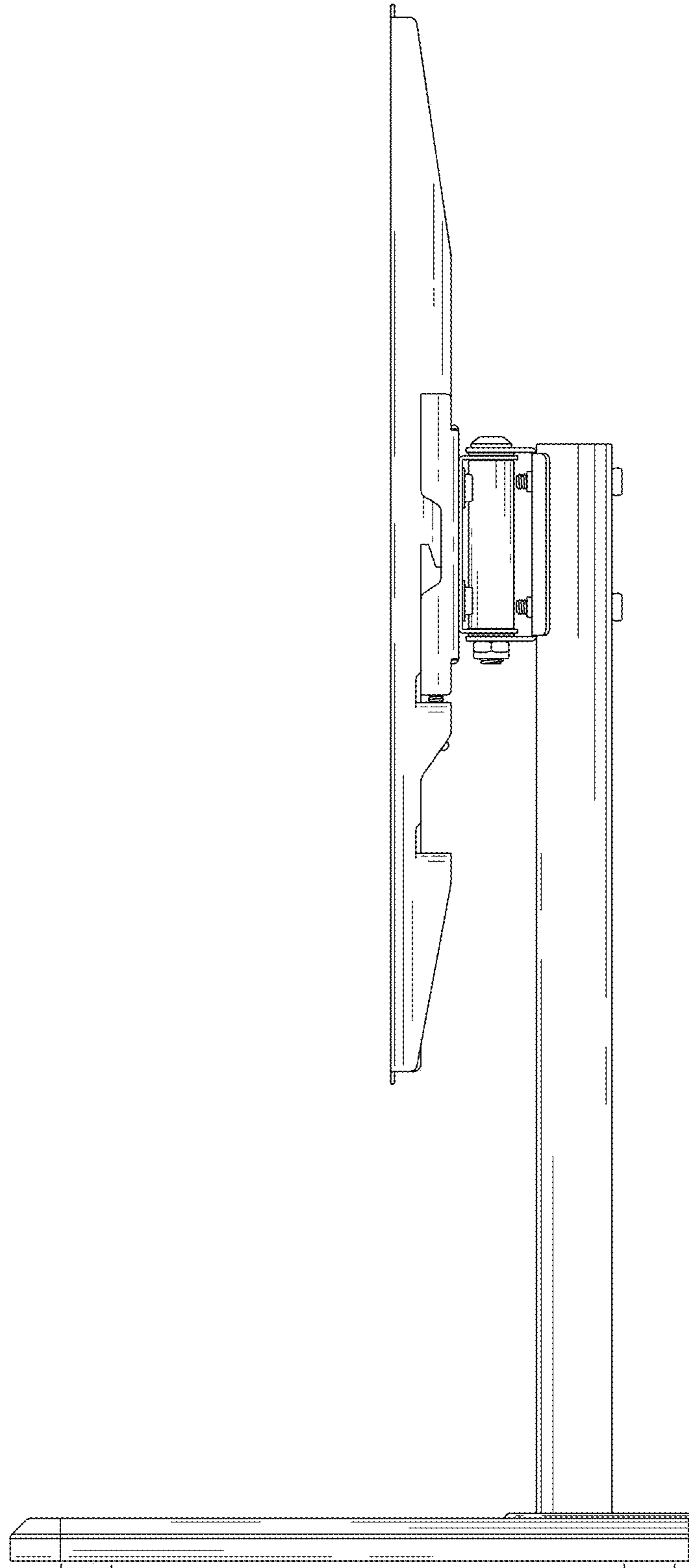


FIG. 6

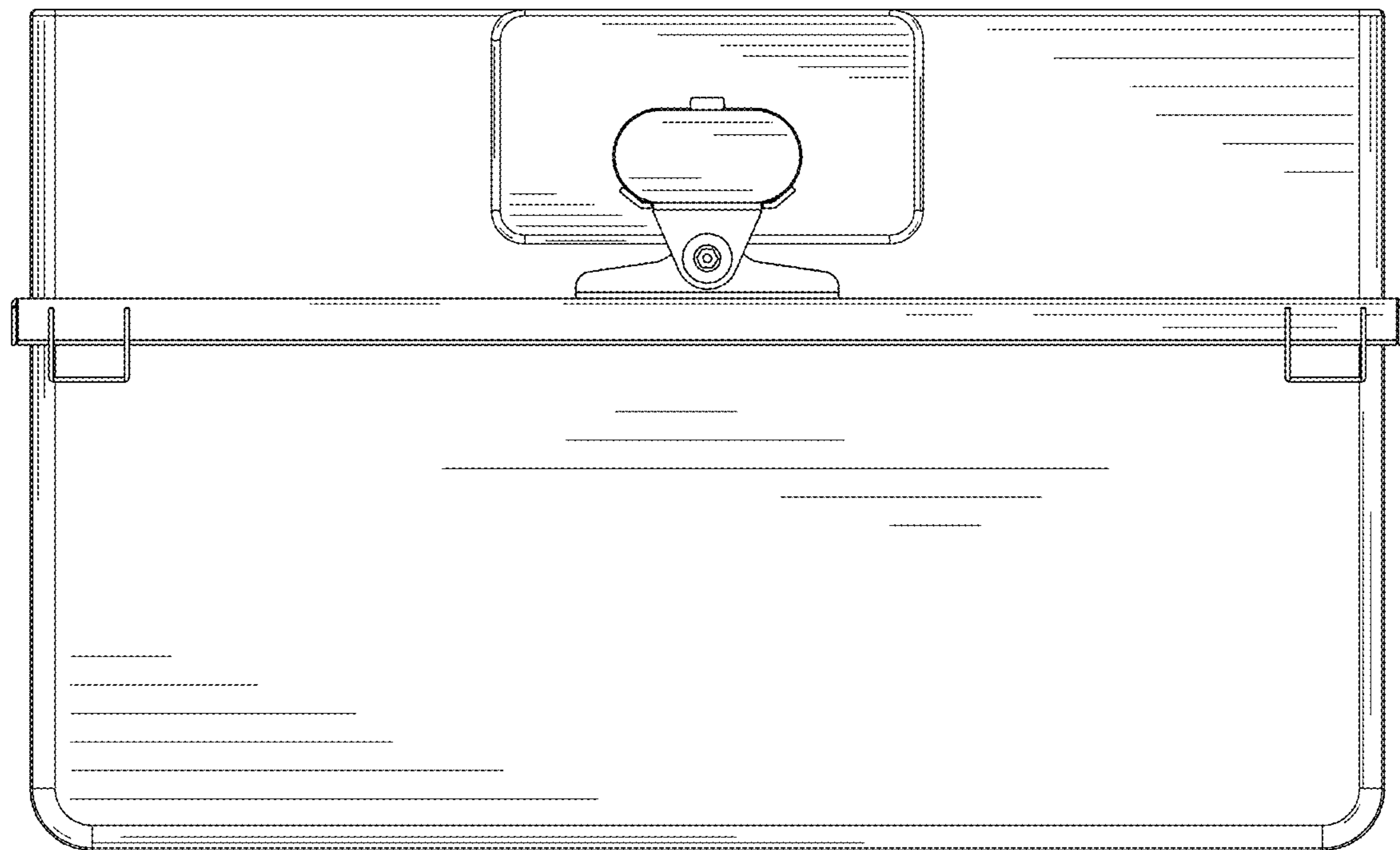


FIG. 7

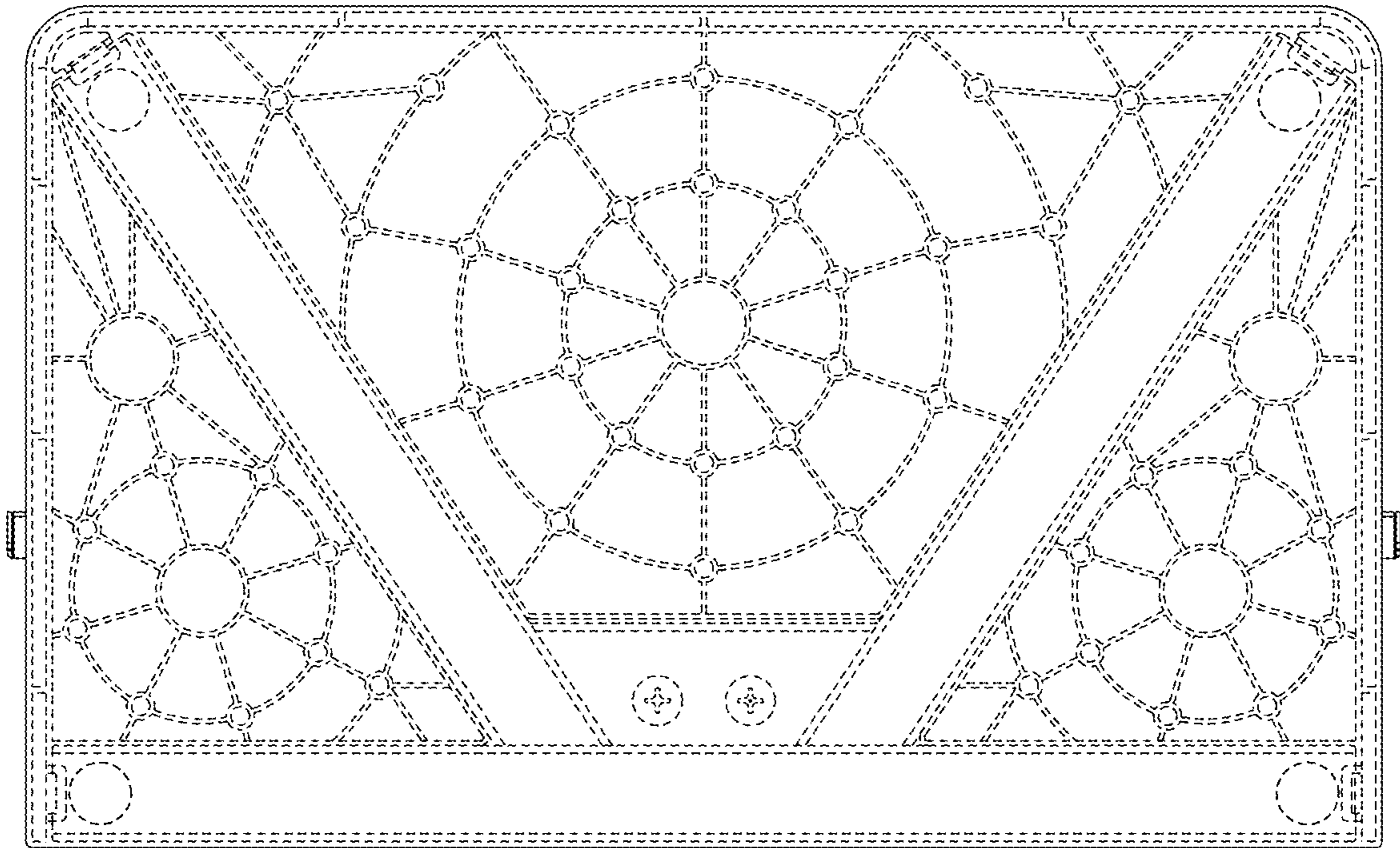


FIG. 8