



US00D912022S

(12) **United States Design Patent** (10) **Patent No.:** **US D912,022 S**  
**Lyu** (45) **Date of Patent:** **\*\* Mar. 2, 2021**

(54) **WALL MOUNT APPARATUS**

FOREIGN PATENT DOCUMENTS

(71) Applicant: **Yaqi Lyu**, Shenzen (CN)

CN 303226100 \* 5/2015

(72) Inventor: **Yaqi Lyu**, Shenzen (CN)

CN 303276106 \* 7/2015

CN 305081298 \* 3/2019

(Continued)

(\*\*) Term: **15 Years**

OTHER PUBLICATIONS

(21) Appl. No.: **29/698,093**

(22) Filed: **Jul. 15, 2019**

Walmart. Link: <https://www.walmart.com/ip/onn-Full-Motion-Articulating-Tilt-Swivel-Universal-Wall-Mount-Kit-for-19-to-84-TVs-with-HDMI-Cable-ONA16TM014E/55836008>. Visited Nov. 13, 2020. onn Full-Motion Articulating, Tilt/Swivel, Universal Wall Mount Kit for 19" to 84" TVs with HDMI Cable. (Year: 2020).\*

(Continued)

(51) **LOC (13) Cl.** ..... **14-03**

(52) **U.S. Cl.**

USPC ..... **D14/239**

(58) **Field of Classification Search**

USPC ..... D14/239, 371, 372, 373, 374, 447-452, D14/125, 127, 128, 129, 335-337, 375, D14/376, 377, 341, 126; D8/355, 363, D8/373; D6/672, 682

CPC ..... F16M 11/2085; F16M 11/2092; F16M 11/2007; F16M 11/2014; F16M 11/2021; F16M 11/105; F16M 11/10; F16M 11/048; F16M 11/12; F16M 13/022

See application file for complete search history.

*Primary Examiner* — Lauren D McVey

(57)

**CLAIM**

The ornamental design for a wall mount apparatus, as shown and described.

**DESCRIPTION**

(56)

**References Cited**

U.S. PATENT DOCUMENTS

D539,125 S *	3/2007	Ly Hau	.....	D8/373
D539,128 S *	3/2007	Ly Hau	.....	D8/373
D621,820 S *	8/2010	Liang	.....	D14/239
D650,373 S *	12/2011	Stemple	.....	D14/239
D811,375 S *	2/2018	Pei	.....	D14/239
D811,376 S *	2/2018	Pei	.....	D14/239
D836,617 S *	12/2018	Shu	.....	D14/239
D842,283 S *	3/2019	Pei	.....	D14/239
D848,989 S *	5/2019	Pei	.....	D14/239
D852,790 S *	7/2019	Pei	.....	D14/239
D858,493 S	9/2019	Pei		
D888,027 S	6/2020	Pei		
2009/0194655 A1 *	8/2009	Huang	.....	F16M 11/10 248/282.1
2019/0390817 A1 *	12/2019	Pei	.....	F16M 11/10

(Continued)

FIG. 1 is a perspective view of a wall mount apparatus showing my new design where the wall mount apparatus is fully extended;

FIG. 2 is a perspective view of the wall mount apparatus where the wall mount apparatus is fully retracted;

FIG. 3 is a front elevational view thereof;

FIG. 4 is a rear elevational view thereof;

FIG. 5 is a left side elevational view thereof;

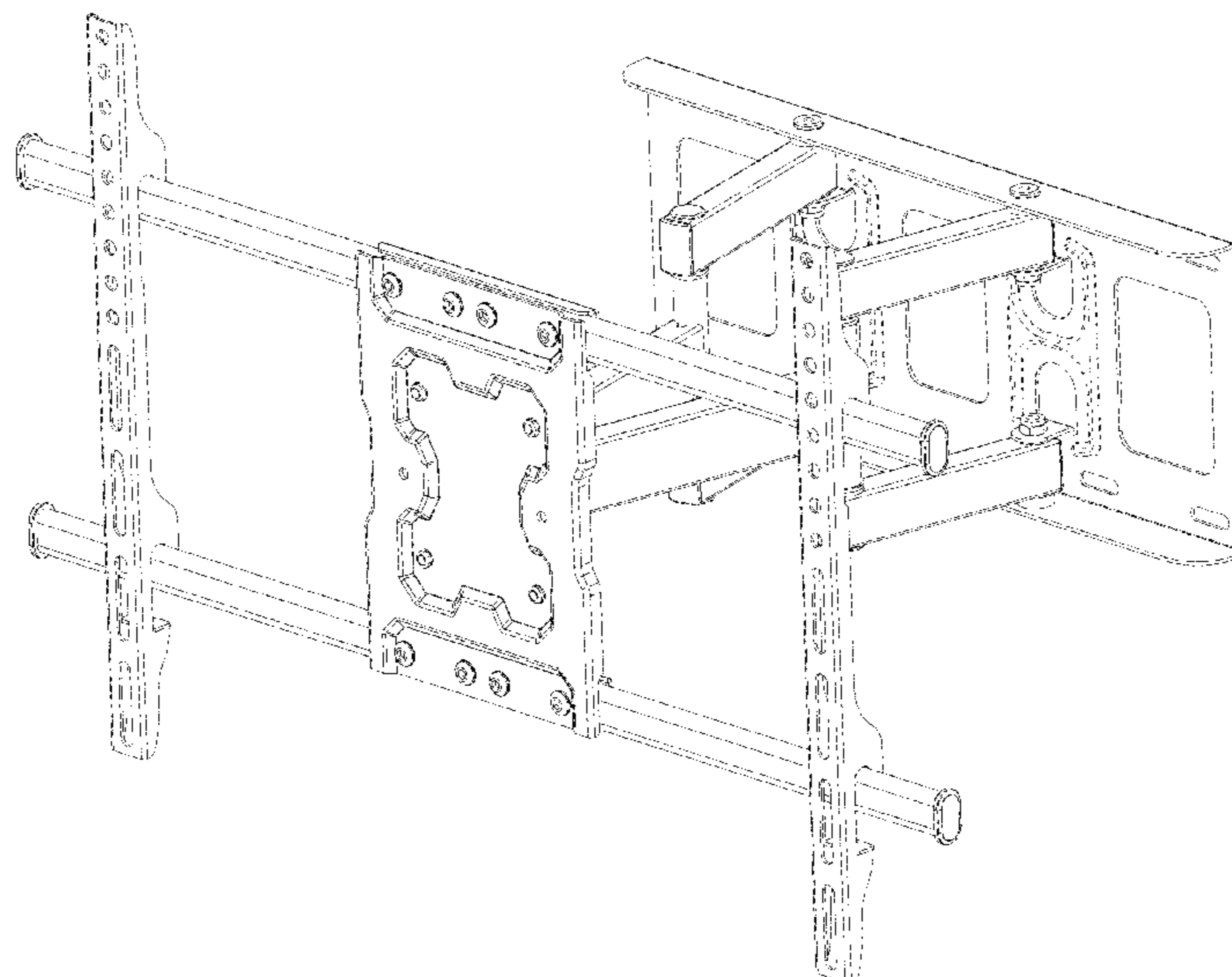
FIG. 6 is a right side elevational view thereof;

FIG. 7 is a top plan view thereof; and,

FIG. 8 is a bottom plan view thereof.

The broken lines immediately adjacent to the claim depict the bounds of the claimed design, while all other broken lines are directed to environment. The broken lines form no part of the claimed design.

**1 Claim, 8 Drawing Sheets**



(56)

**References Cited**

U.S. PATENT DOCUMENTS

2020/0340614 A1\* 10/2020 Pei ..... F16M 11/2092

FOREIGN PATENT DOCUMENTS

CN	305948166	*	7/2020
CN	306011802	*	8/2020
EM	008189542-0002	*	10/2020

OTHER PUBLICATIONS

Amazon. Link: [https://www.amazon.com/dp/B07MZTT1BF/ref=cm\\_sw\\_em\\_r\\_mt\\_dp\\_TLJ5FbNR0XF8G](https://www.amazon.com/dp/B07MZTT1BF/ref=cm_sw_em_r_mt_dp_TLJ5FbNR0XF8G). Pipishell Full Motion TV Wall Mount Bracket published by Amazon on Jan. 22, 2019. Pipishell Full Motion TV Wall Mount Bracket. (Year: 2019).\*

Amazon. Link: [https://www.amazon.com/dp/B01ESPQVSM/ref=cm\\_sw\\_em\\_r\\_mt\\_dp\\_sKJ5FbGNHGE3V?\\_encoding=UTF8&psc=1](https://www.amazon.com/dp/B01ESPQVSM/ref=cm_sw_em_r_mt_dp_sKJ5FbGNHGE3V?_encoding=UTF8&psc=1). Jan. 11, 2017. BONTEC TV Wall Bracket. (Year: 2017).\*

\* cited by examiner

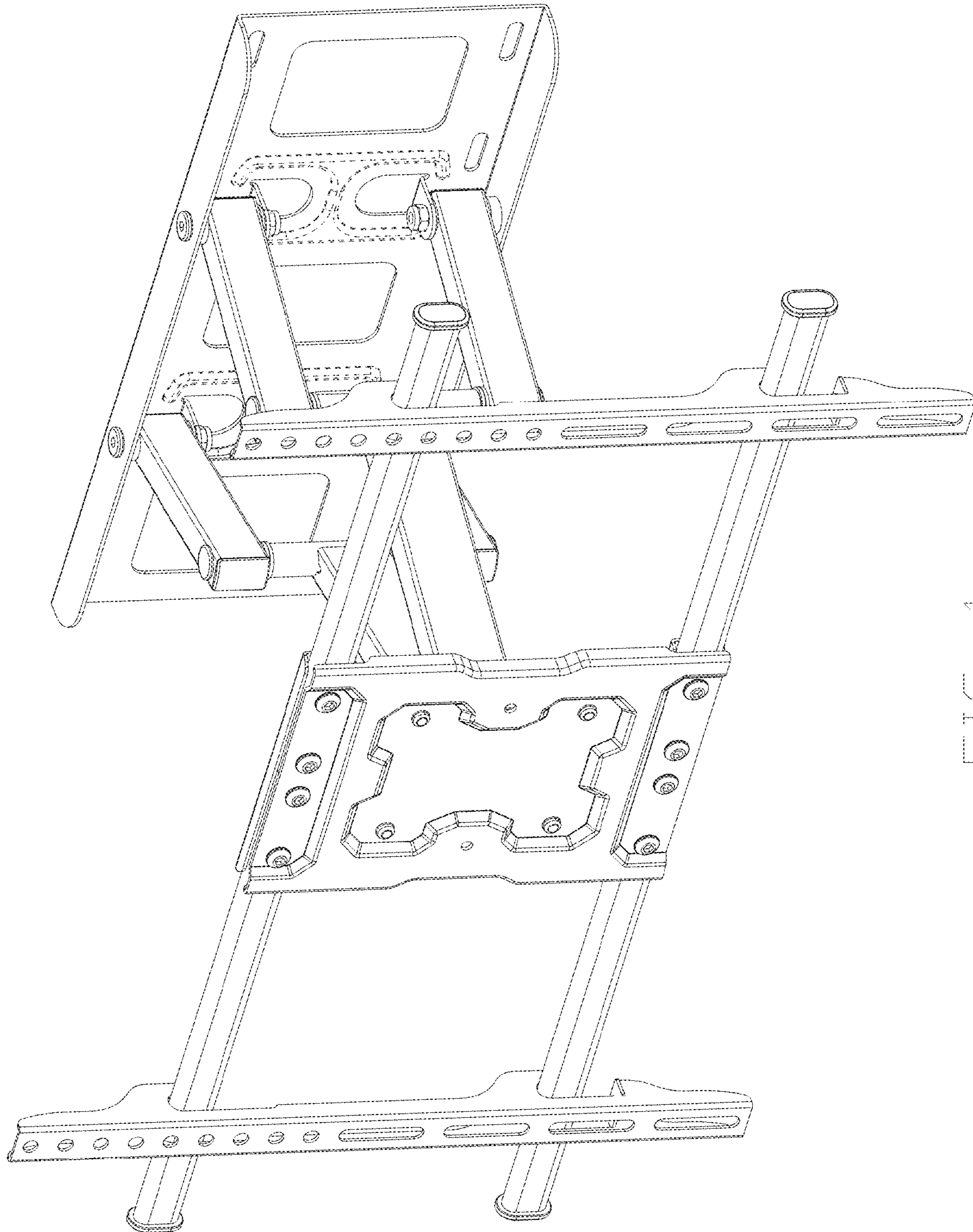


FIG. 1

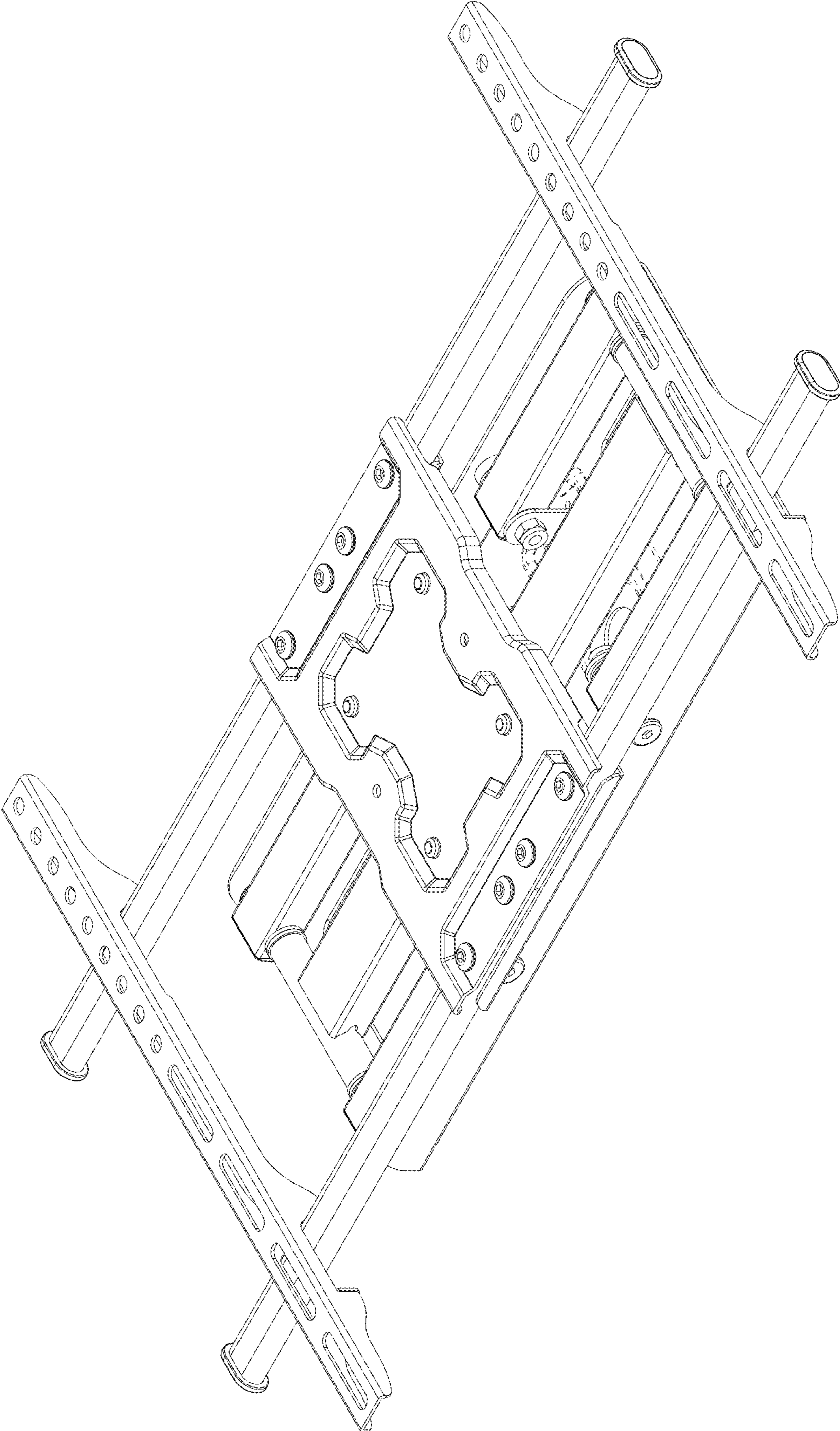


FIG. 2

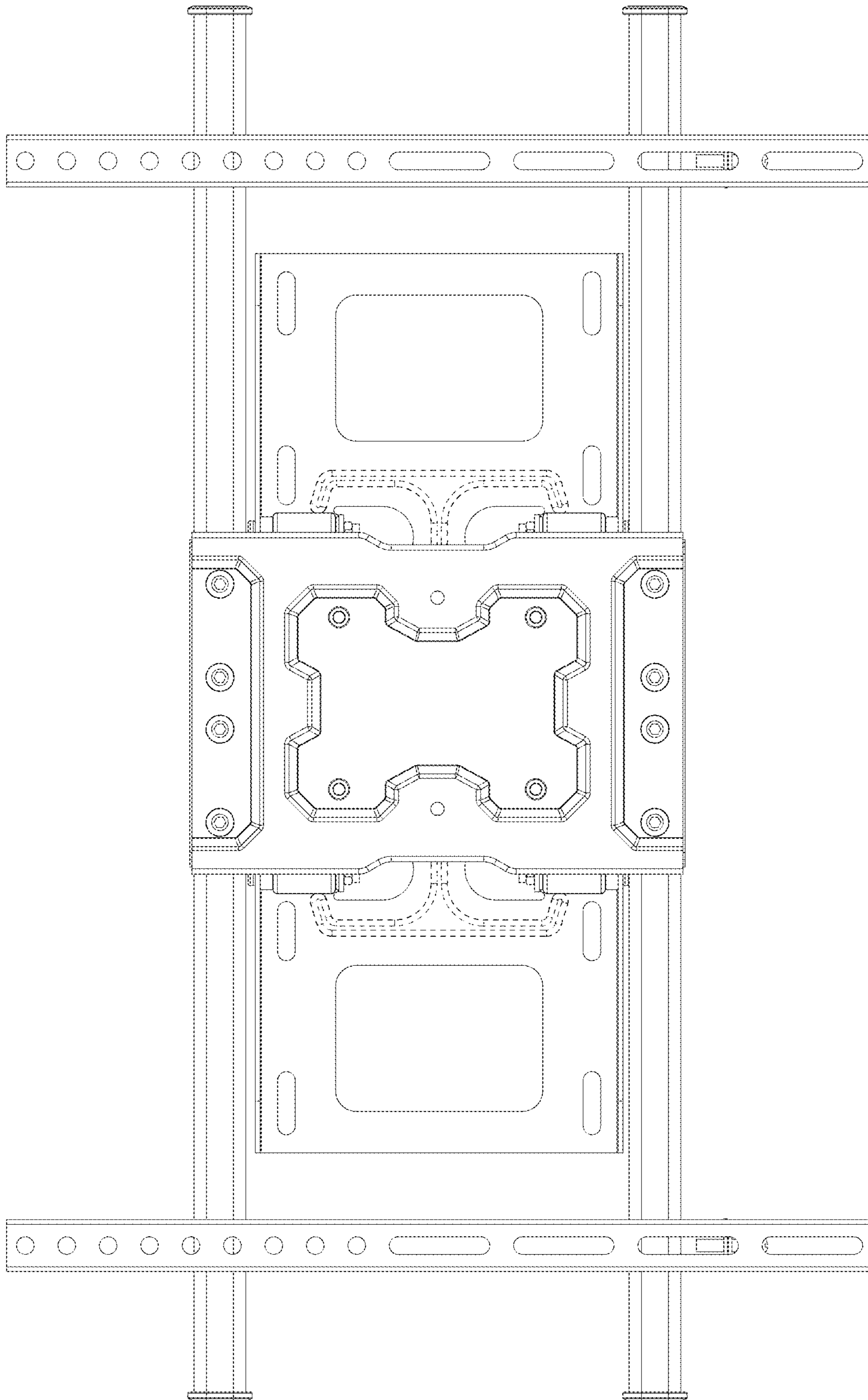


FIG. 3

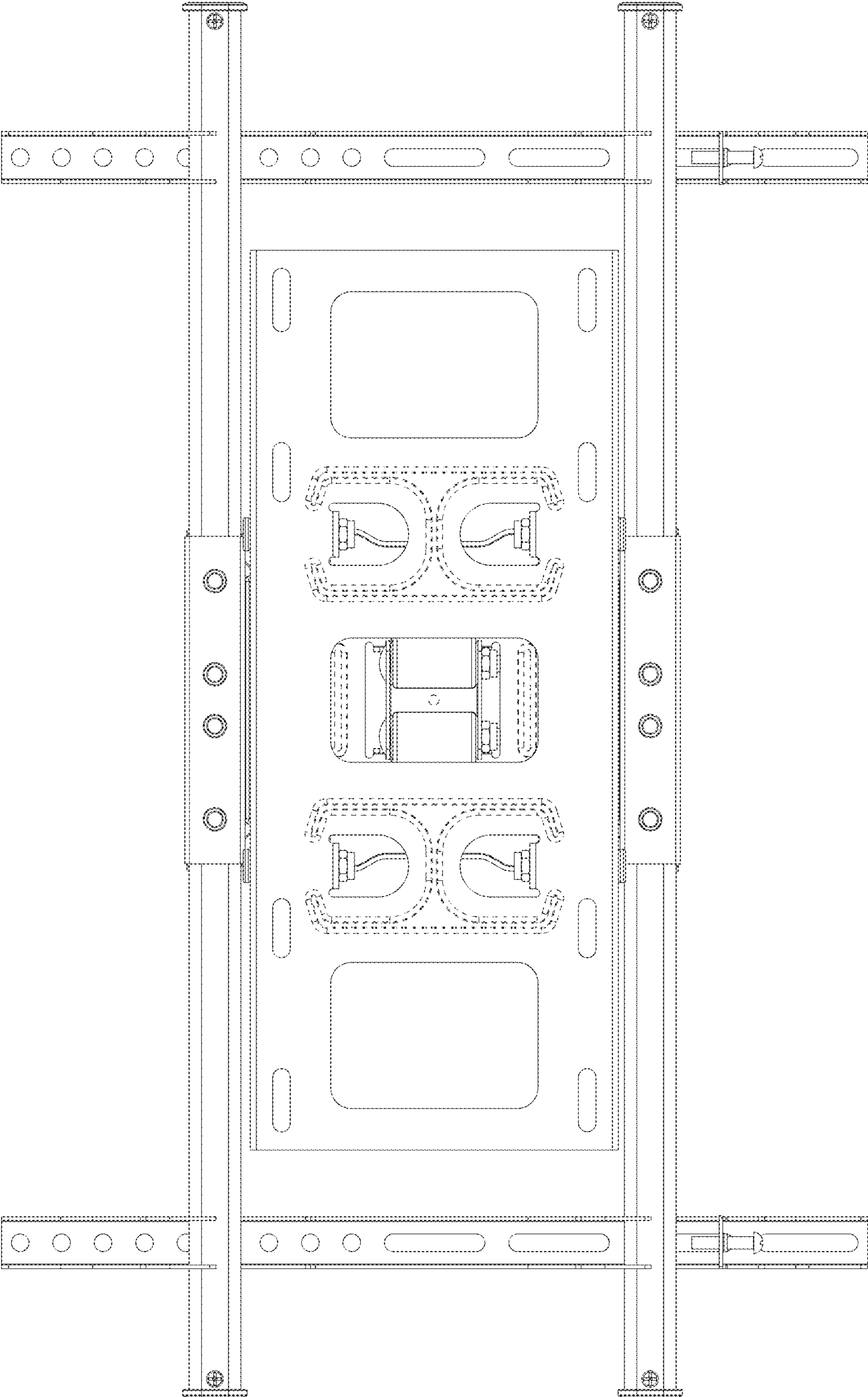


FIG. 4

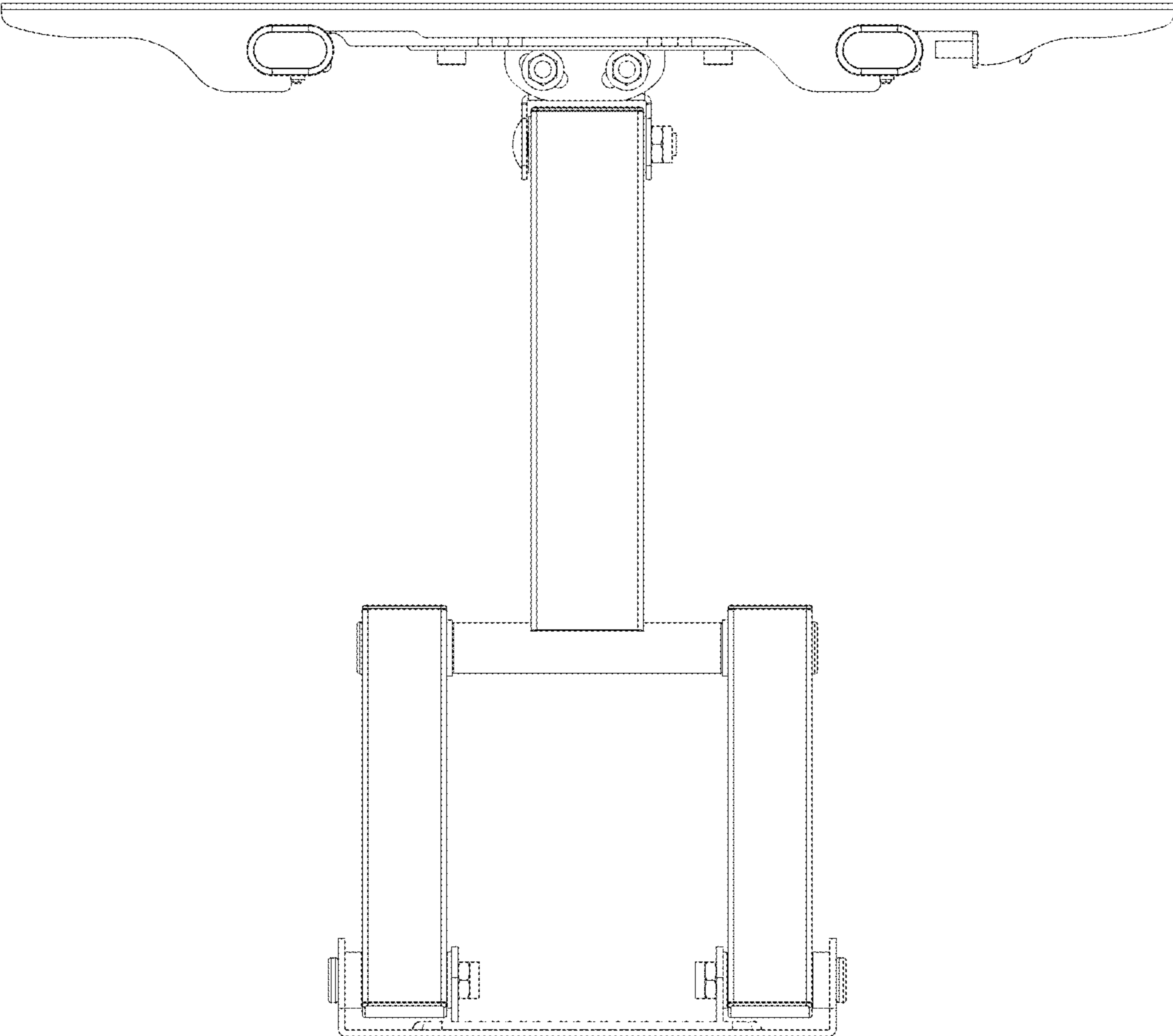


FIG. 5

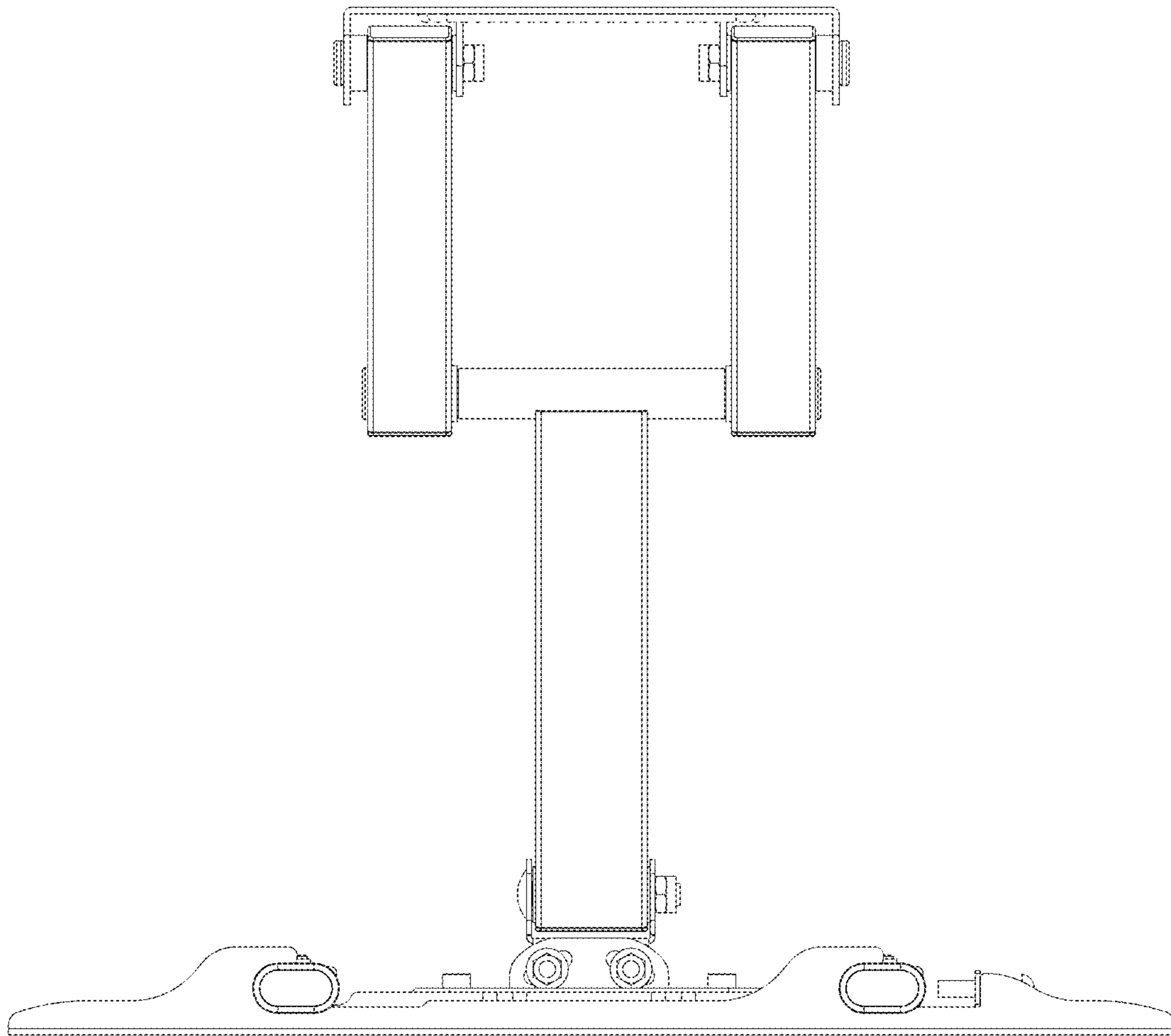


FIG. 6



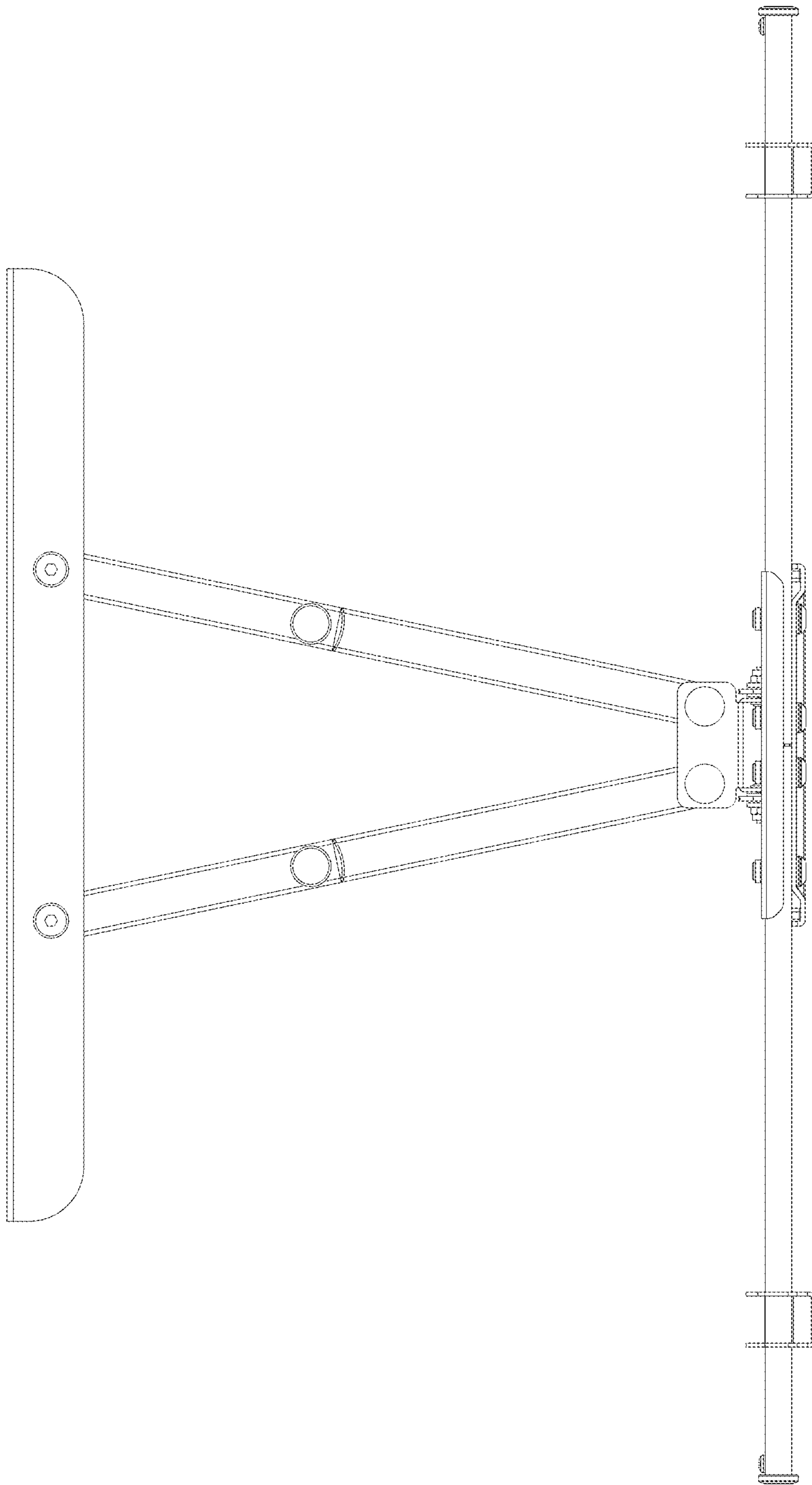


FIG. 7

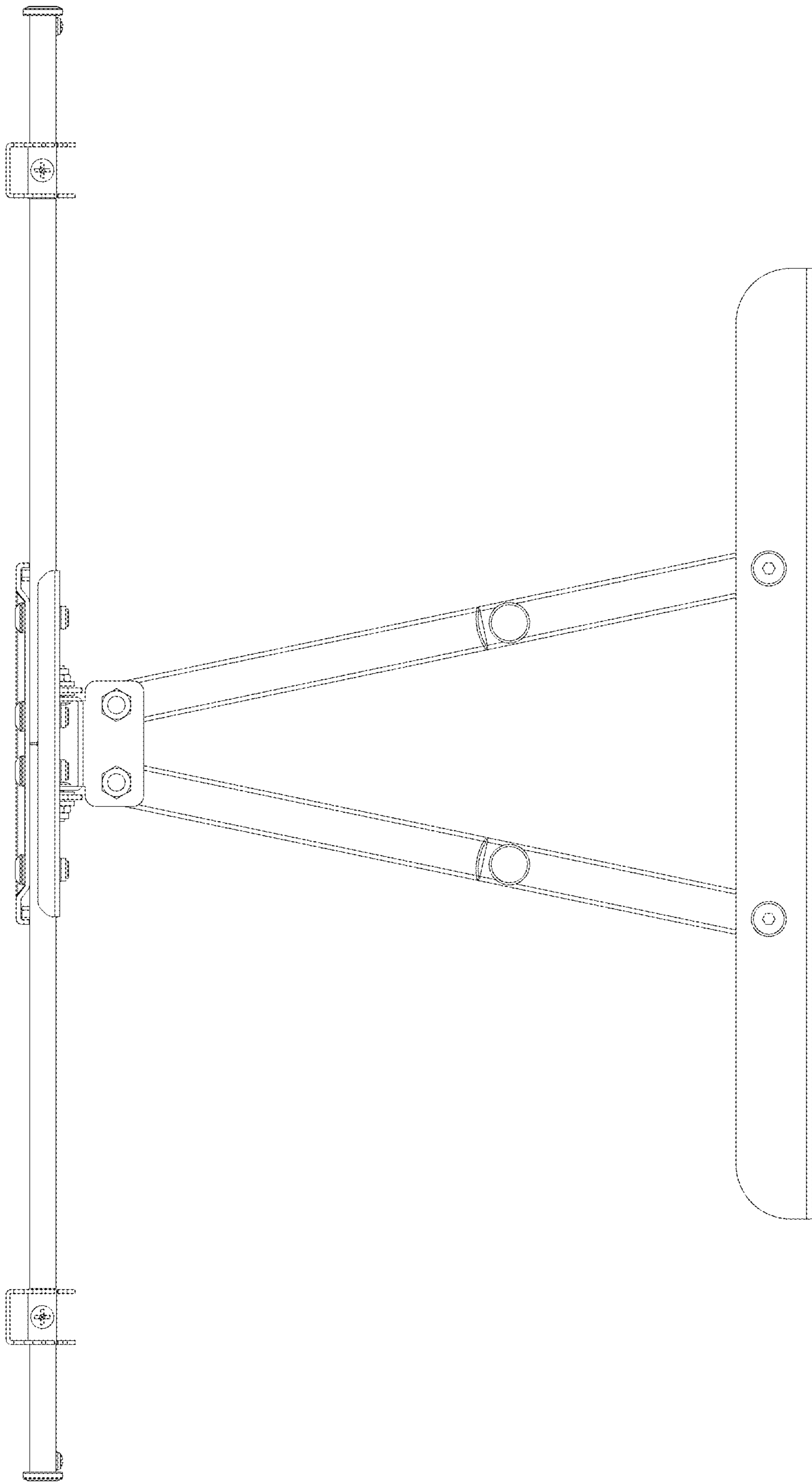


FIG. 8