



US00D912016S

(12) **United States Design Patent**  
**Ando et al.**

(10) **Patent No.:** **US D912,016 S**  
(45) **Date of Patent:** **\*\* Mar. 2, 2021**

(54) **EARPHONE**

(71) Applicant: **JVCKENWOOD Corporation,**  
Yokohama (JP)

(72) Inventors: **Yui Ando,** Yokohama (JP); **Satoshi Yoshimura,** Yokohama (JP)

(73) Assignee: **JVCKENWOOD Corporation,**  
Yokohama (JP)

(\*\*) Term: **15 Years**

(21) Appl. No.: **29/706,661**

(22) Filed: **Sep. 23, 2019**

(30) **Foreign Application Priority Data**

Jul. 16, 2019 (JP) ..... 2019-015892

(51) **LOC (13) Cl.** ..... **14-01**

(52) **U.S. Cl.**  
USPC ..... **D14/223**

(58) **Field of Classification Search**  
USPC ..... D14/223, 205, 218, 510; D24/174;  
128/864-866; 381/380, 381, 322, 324,  
381/328; 455/90.3, 575.1, 569.1  
CPC ..... H04R 1/10; H04R 25/00; H04R 25/02;  
H04R 1/1066; H04R 1/1016; H04R  
5/033; H04R 5/0335; H04R 1/105; H04R  
1/1091; H04R 1/1083

See application file for complete search history.

(56) **References Cited**

**U.S. PATENT DOCUMENTS**

3,197,577 A \* 7/1965 Kuklock ..... H04R 25/654  
381/328  
6,493,453 B1 \* 12/2002 Glendon ..... H04R 23/008  
381/322  
D482,013 S \* 11/2003 Lee ..... D14/510  
D500,485 S \* 1/2005 Deguchi ..... D14/480.4

D512,417 S \* 12/2005 Hirakawa ..... D14/223  
D538,792 S \* 3/2007 Kim ..... D14/223  
D603,380 S \* 11/2009 Hutchieson ..... D14/223  
D626,947 S \* 11/2010 Lee ..... D14/223  
D628,993 S \* 12/2010 Steyn ..... D14/225  
D635,678 S \* 4/2011 Laperle ..... D24/174  
D636,492 S \* 4/2011 Aquilina ..... D24/174  
D637,997 S \* 5/2011 Peller ..... D14/205  
D641,010 S \* 7/2011 Kwon ..... D14/223  
D643,833 S \* 8/2011 Lee ..... D14/223  
D645,849 S \* 9/2011 Kim ..... D14/223  
D652,822 S \* 1/2012 Lee ..... D14/223  
D654,056 S \* 2/2012 Hoggarth ..... D14/223  
D664,125 S \* 7/2012 Koch ..... D14/223  
D666,581 S \* 9/2012 Perez ..... D14/223

(Continued)

**FOREIGN PATENT DOCUMENTS**

CN 305819836 \* 6/2020  
CN 305938588 \* 7/2020

(Continued)

*Primary Examiner* — Paula Allen Greene

(74) *Attorney, Agent, or Firm* — Amin, Turocy & Watson,  
LLP

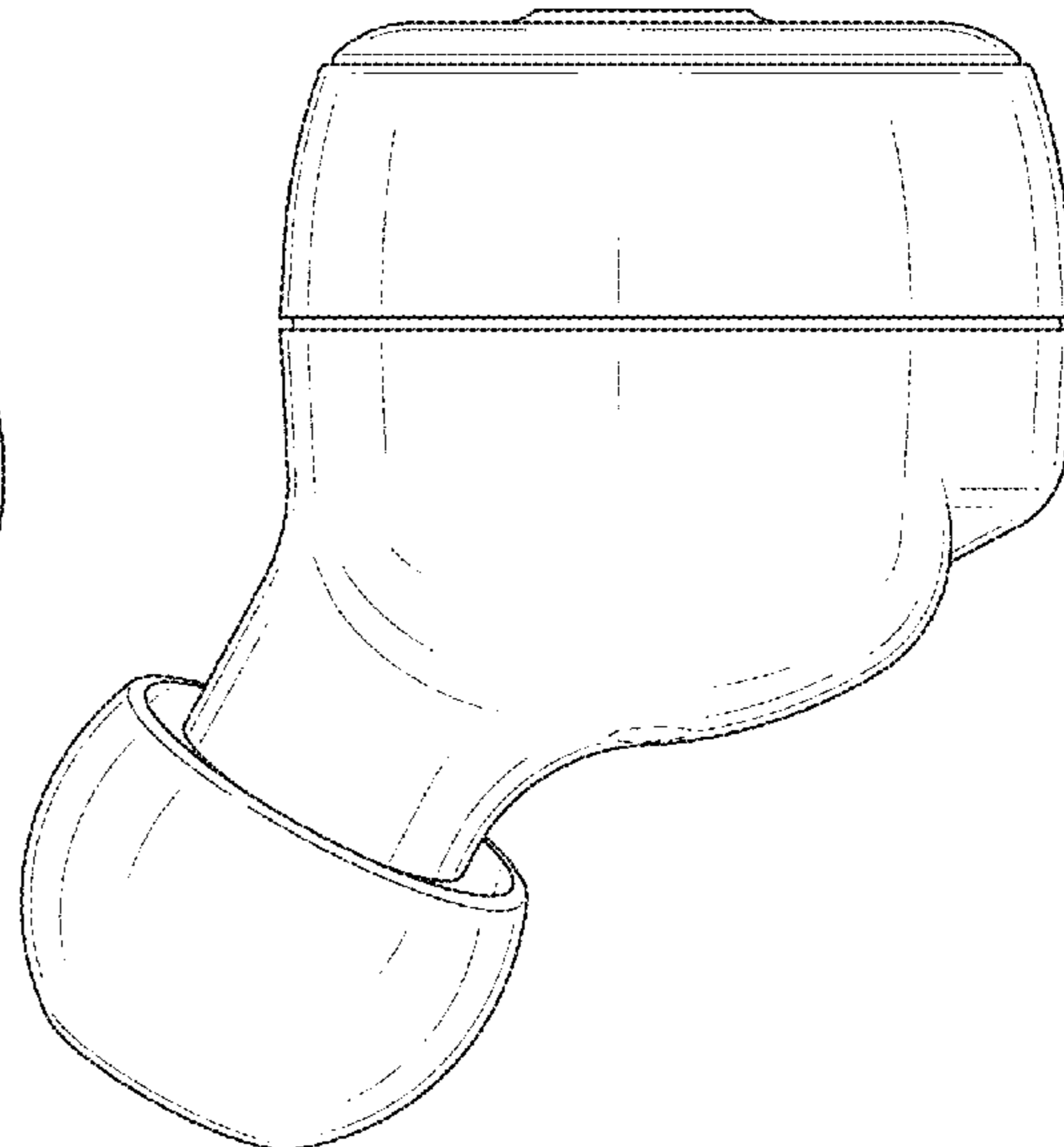
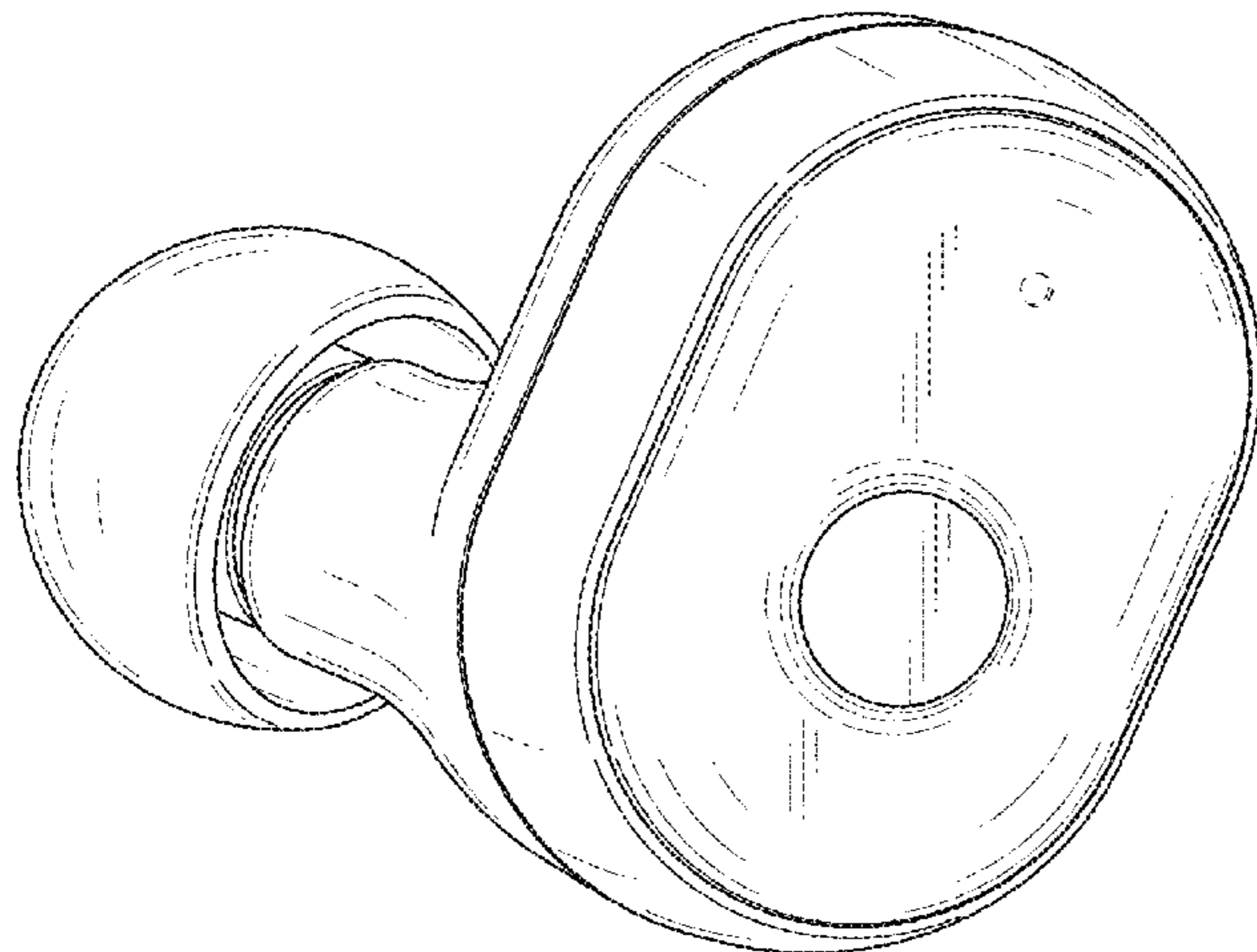
(57) **CLAIM**

The ornamental design for an earphone, as shown and described.

**DESCRIPTION**

FIG. 1 is a perspective view of an earphone;  
FIG. 2 is a front elevation view thereof;  
FIG. 3 is a rear elevation view thereof;  
FIG. 4 is a top plan view thereof;  
FIG. 5 is a bottom plan view thereof;  
FIG. 6 is a right side elevation view thereof; and,  
FIG. 7 is a left side elevation view thereof.  
The broken lines shown in the drawings illustrate portions of the earphone that form no part of the claimed design.

**1 Claim, 7 Drawing Sheets**



(56)

References Cited

U.S. PATENT DOCUMENTS

D685,764 S \* 7/2013 Coulter ..... D14/205  
 D686,597 S \* 7/2013 Lee ..... D14/223  
 D697,058 S \* 1/2014 Thompson ..... D14/223  
 D699,226 S \* 2/2014 Yoon ..... D14/223  
 D707,659 S \* 6/2014 Henning ..... D14/223  
 D711,356 S \* 8/2014 Yang ..... D14/223  
 D712,882 S \* 9/2014 Wang ..... D14/223  
 8,831,266 B1 \* 9/2014 Huang ..... H04R 1/2811  
 381/380  
 D719,139 S \* 12/2014 Henry ..... D14/223  
 D719,550 S \* 12/2014 Yang ..... D14/223  
 D725,082 S \* 3/2015 Palmborg ..... D14/223  
 8,983,108 B2 \* 3/2015 Ho ..... H04R 1/1016  
 381/380  
 D726,145 S \* 4/2015 Hsieh ..... D14/205  
 D727,871 S \* 4/2015 Orbach ..... D14/205  
 D728,107 S \* 4/2015 Torres Martin ..... D24/174  
 D729,775 S \* 5/2015 Seo ..... D14/223  
 D733,102 S \* 6/2015 Palmborg ..... D14/223  
 D733,103 S \* 6/2015 Jeong ..... D14/224  
 D742,861 S \* 11/2015 Miyake ..... D14/223  
 D764,445 S \* 8/2016 Czaniecki ..... D14/223  
 D773,032 S \* 11/2016 Palmborg ..... D24/106  
 D777,710 S \* 1/2017 Palmborg ..... D14/223  
 D781,269 S \* 3/2017 Choe ..... D14/223  
 D782,997 S \* 4/2017 Shin ..... D14/205  
 D782,998 S \* 4/2017 Shin ..... D14/205  
 D795,224 S \* 8/2017 Valenzuela ..... D14/223  
 D798,843 S \* 10/2017 Valenzuela ..... D14/223  
 D806,879 S \* 1/2018 Horbinski ..... D24/174  
 D810,054 S \* 2/2018 Yuan ..... D14/223  
 D817,309 S \* 5/2018 Czaniecki ..... D14/223  
 10,178,464 B2 \* 1/2019 Hussein ..... H04R 1/105  
 D841,626 S \* 2/2019 Tang ..... D14/223  
 10,206,026 B2 \* 2/2019 Yeung ..... H01Q 1/48  
 D842,844 S \* 3/2019 Li ..... D14/223

D845,932 S \* 4/2019 Lu ..... D14/223  
 D846,532 S \* 4/2019 Xiao ..... D14/223  
 D852,783 S \* 7/2019 Hueber ..... D14/223  
 D853,359 S \* 7/2019 Guo ..... D14/223  
 D863,263 S \* 10/2019 Yu ..... D14/223  
 D868,752 S \* 12/2019 Zhu ..... D14/223  
 D870,707 S \* 12/2019 Yang ..... D14/223  
 D872,063 S \* 1/2020 Arimoto ..... D14/223  
 D879,074 S \* 3/2020 Komiya ..... D14/223  
 D880,457 S \* 4/2020 Zhu ..... D14/223  
 D883,261 S \* 5/2020 Zhang ..... D14/223  
 D889,441 S \* 7/2020 Lin ..... D14/223  
 D895,580 S \* 9/2020 Yu ..... D14/223  
 D897,318 S \* 9/2020 Blundell ..... D14/223  
 D897,319 S \* 9/2020 Wang ..... D14/223  
 D897,322 S \* 9/2020 Wei ..... D14/223  
 D897,996 S \* 10/2020 Mei ..... D14/223  
 D897,999 S \* 10/2020 Li ..... D14/223  
 D899,405 S \* 10/2020 Vaclavik ..... D14/223  
 2005/0238192 A1 \* 10/2005 Ford ..... H04R 25/654  
 381/322  
 2009/0304220 A1 \* 12/2009 Fujikura ..... H04R 1/1091  
 381/380  
 2012/0114160 A1 \* 5/2012 Lin ..... H04R 1/1091  
 381/380  
 2013/0259286 A1 \* 10/2013 Chung ..... H04R 1/1016  
 381/380  
 2017/0026738 A1 \* 1/2017 Tang ..... H04R 1/1091  
 2019/0075384 A1 \* 3/2019 Miwa ..... H04R 1/1016

FOREIGN PATENT DOCUMENTS

CN 306039962 \* 9/2020  
 CN 306092666 \* 10/2020  
 CN 306140818 \* 10/2020  
 CN 306140879 \* 10/2020  
 JP 1667403 \* 8/2020

\* cited by examiner

FIG. 1

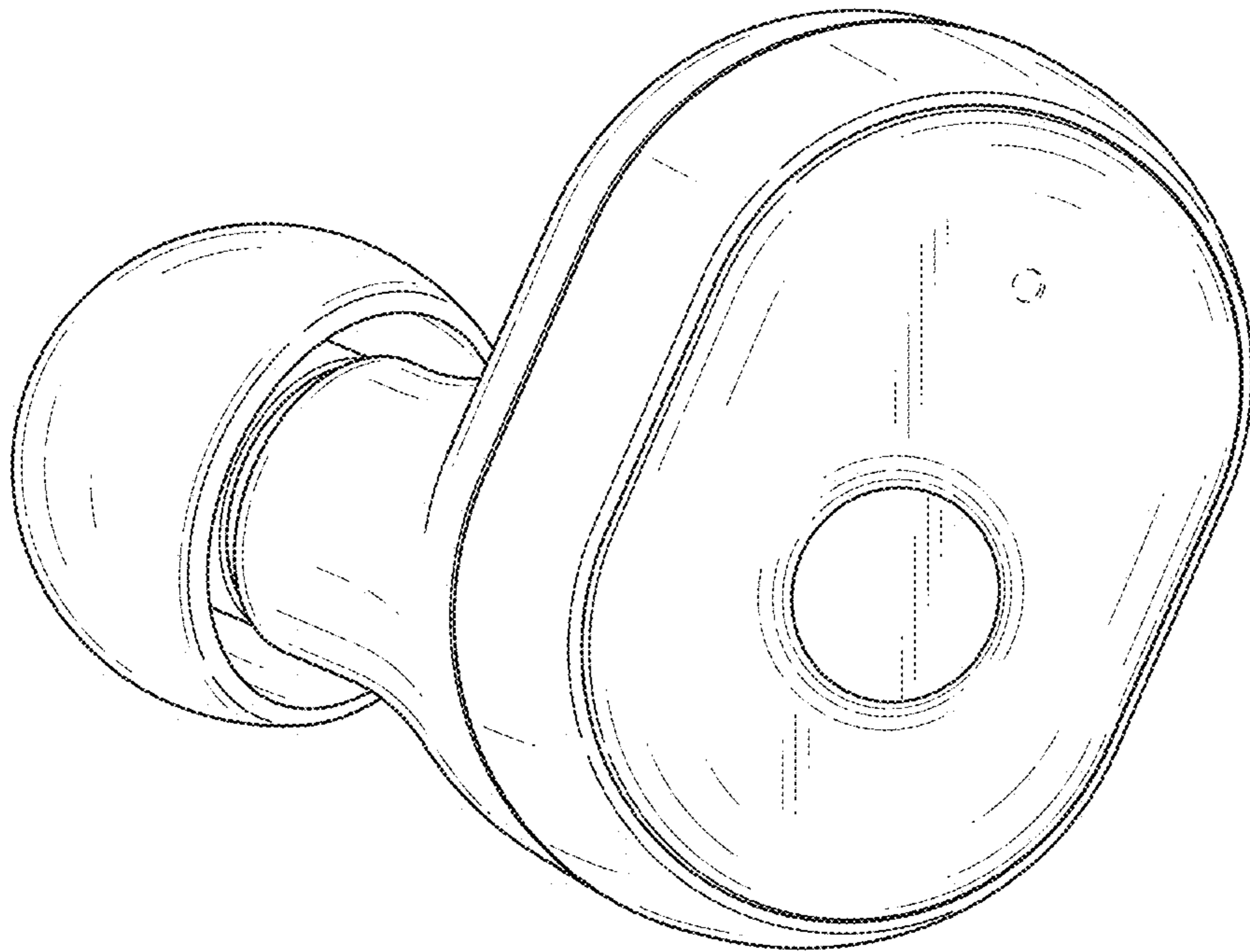


FIG. 2

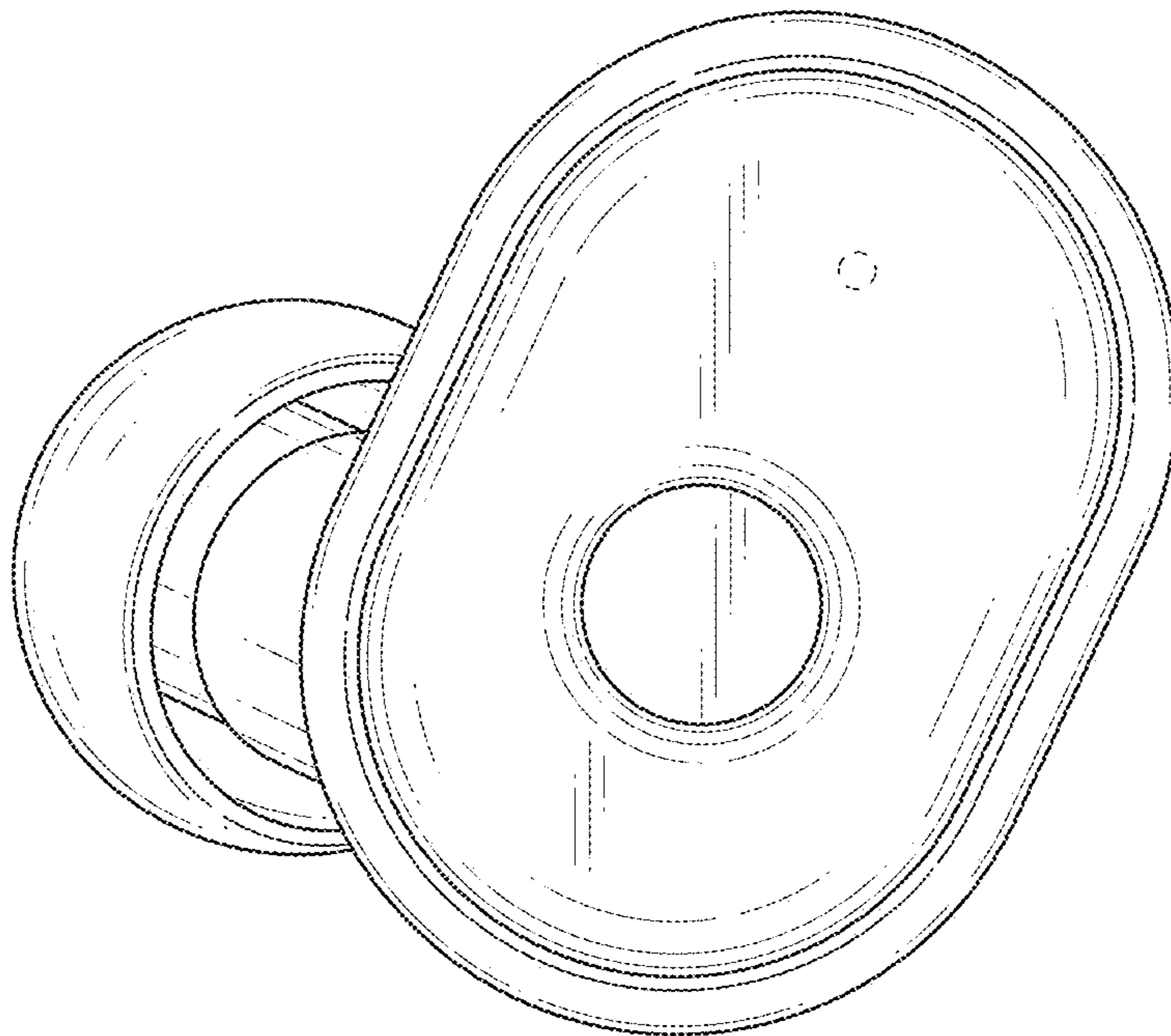


FIG. 3

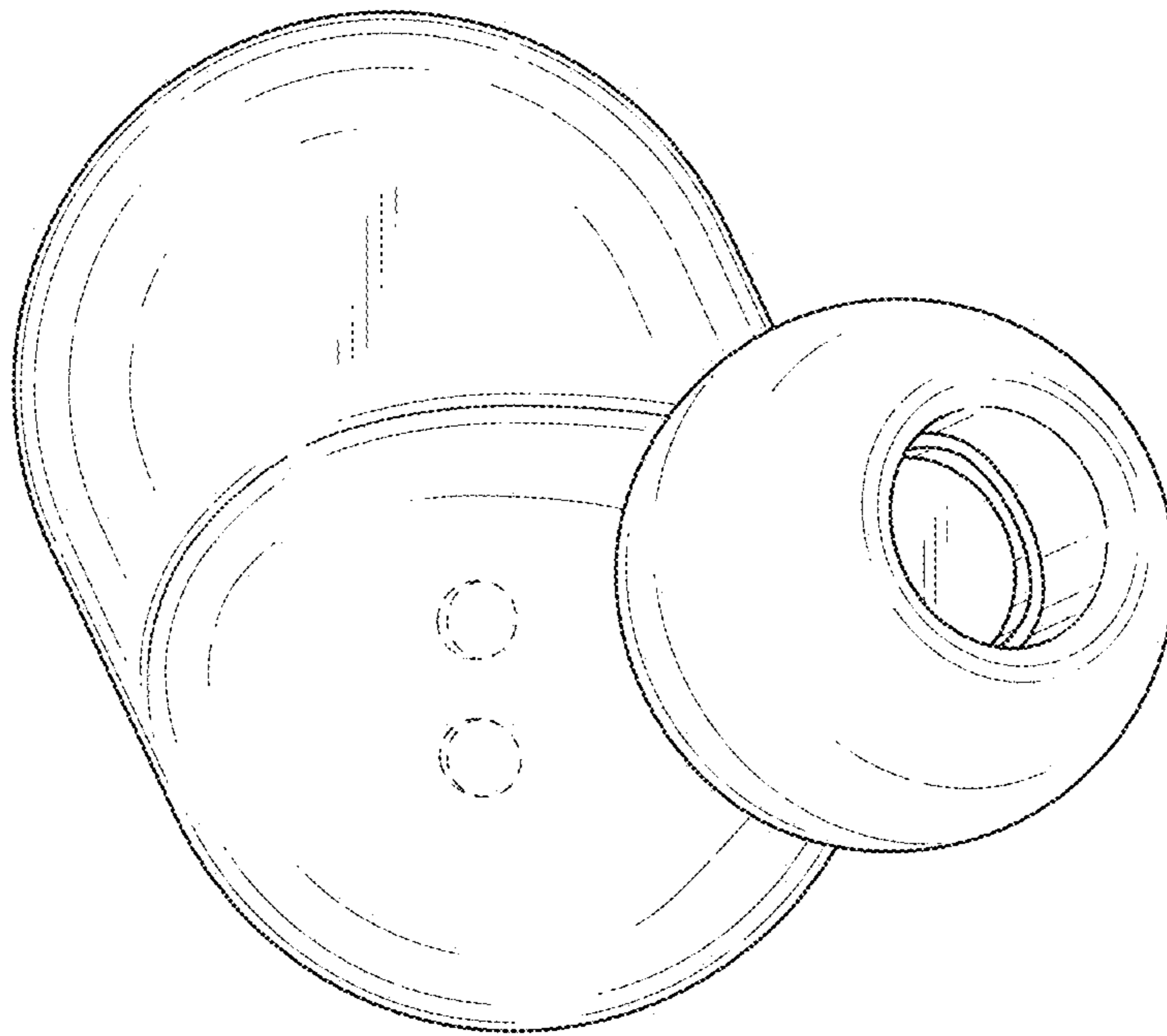


FIG. 4

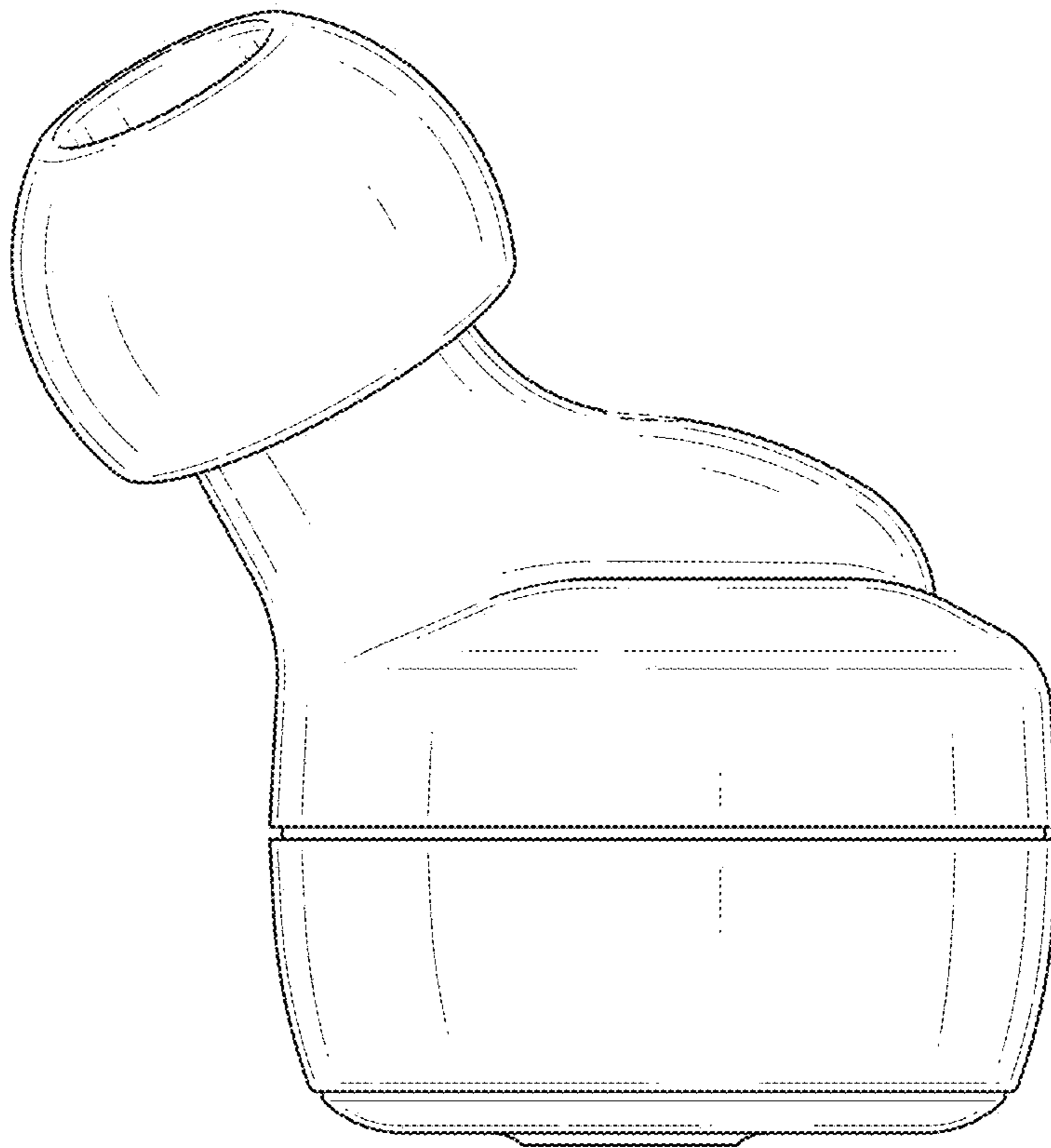


FIG. 5

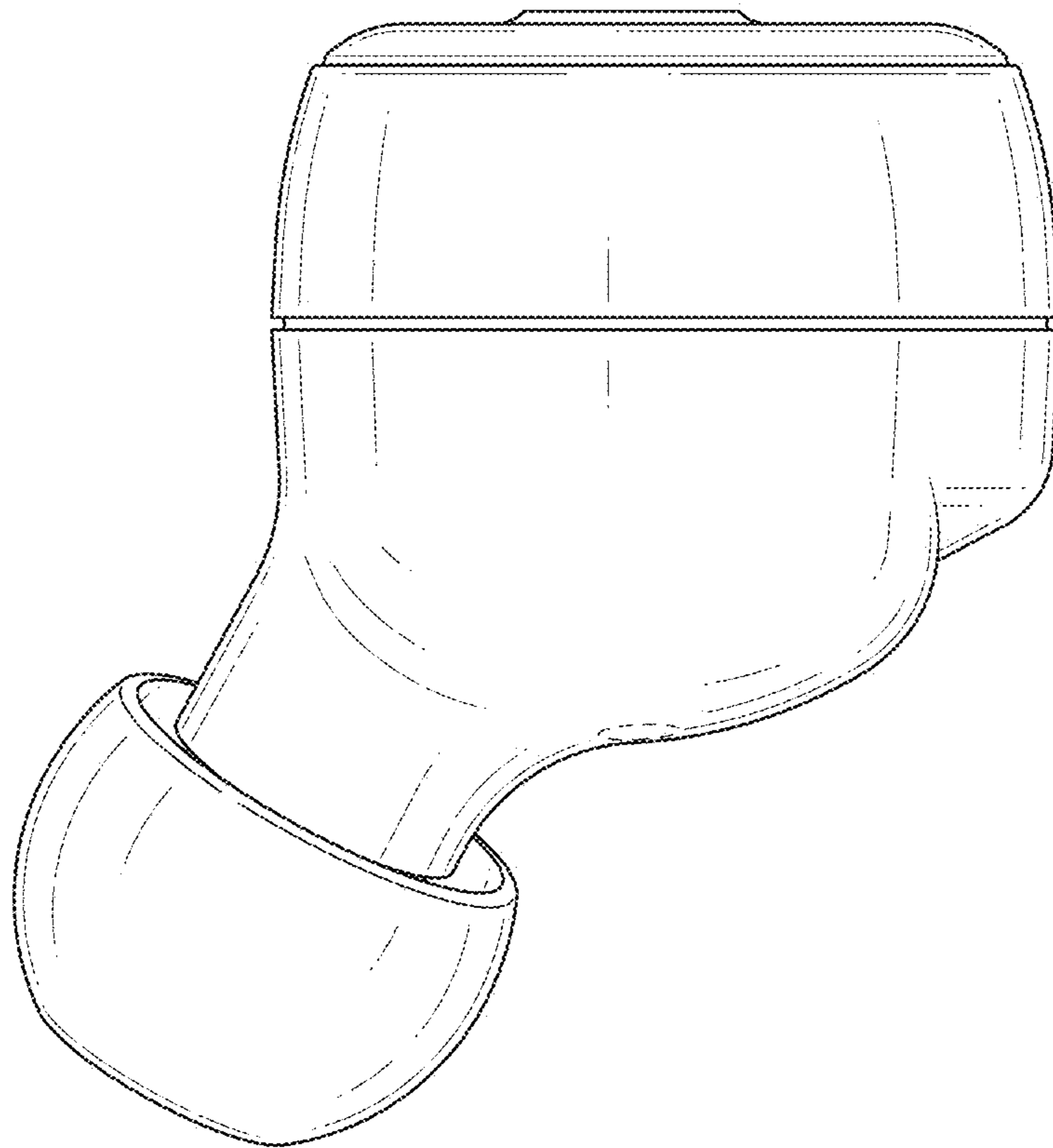


FIG. 6

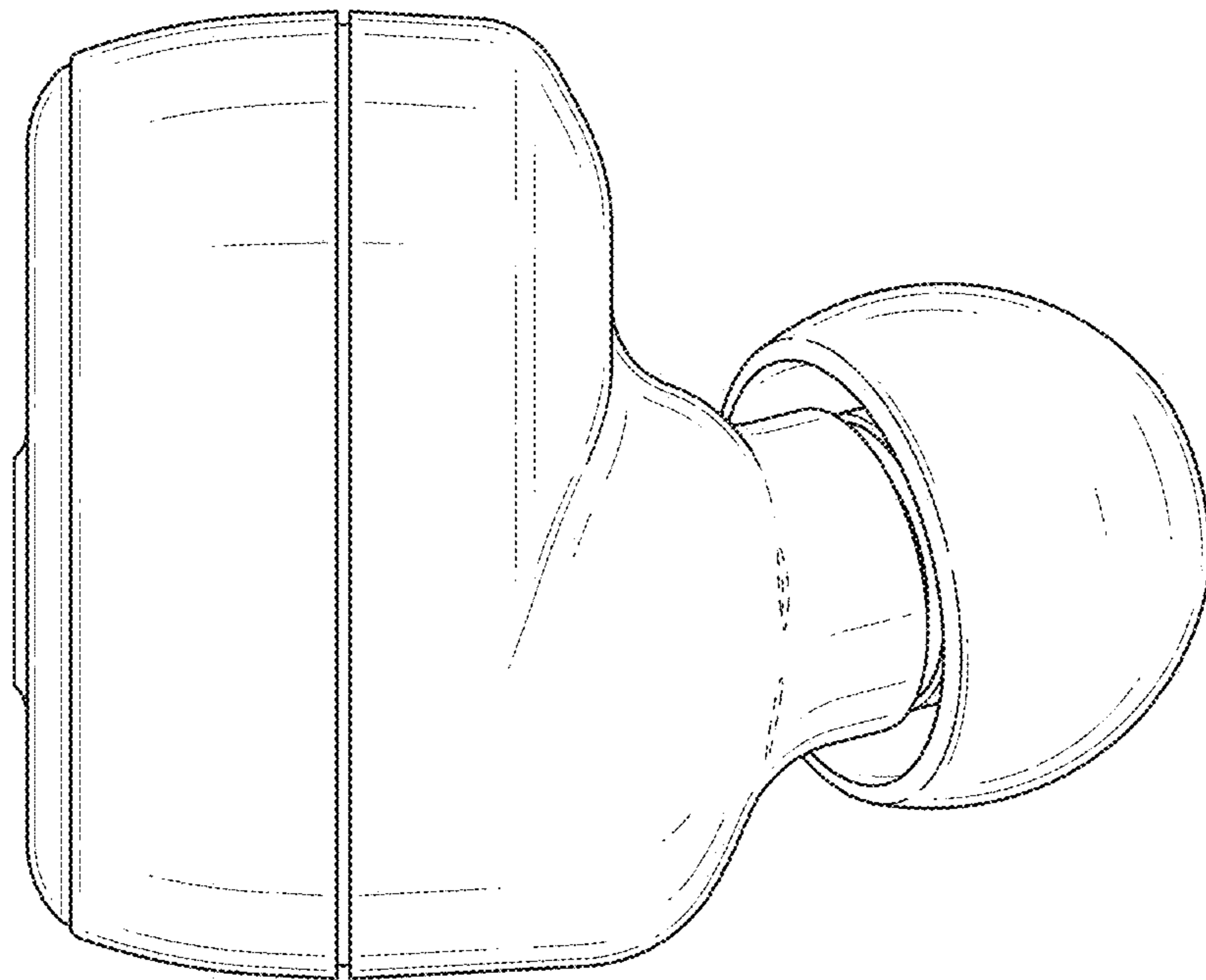




FIG. 7

