



US00D912015S

(12) **United States Design Patent**
Xie

(10) **Patent No.:** **US D912,015 S**

(45) **Date of Patent:** **** Mar. 2, 2021**

(54) **COMBINED EARPHONE WITH CHARGING CRADLE**

(71) Applicant: **Namei Xie**, Shenzhen (CN)

(72) Inventor: **Namei Xie**, Shenzhen (CN)

(73) Assignee: **Shenzhen KingAnDa Technology Development Co., Ltd.**, Shenzhen (CN)

(**) Term: **15 Years**

(21) Appl. No.: **29/704,309**

(22) Filed: **Sep. 4, 2019**

(51) **LOC (13) Cl.** **14-01**

(52) **U.S. Cl.**
USPC **D14/223**

(58) **Field of Classification Search**
USPC D14/223, 205; D13/107, 108; D3/201, D3/294, 295; D9/423, 420, 627, 748, D9/455, 426, 425; D28/76, 78, 83; 206/702, 751, 495, 566, 573, 538, 38, 206/320; 220/4.22, 4.24; 132/294, 295
CPC H04R 1/10; H04R 25/00; H04R 1/1066; H04R 1/1016; H04R 25/02; B65D 5/00; B65D 43/24; B65D 43/168
See application file for complete search history.

(56) **References Cited**

U.S. PATENT DOCUMENTS

- 3,593,872 A * 7/1971 MacDonald 220/4.24
- 3,894,654 A * 7/1975 Frankenberg 220/283
- D259,596 S * 6/1981 Gray D3/205
- D263,634 S * 3/1982 Ballereaud D28/83
- 4,452,373 A * 6/1984 Pearce et al. 220/4.22
- D290,535 S * 6/1987 Chen D28/78
- 4,809,874 A * 3/1989 Pehr 220/833
- 5,339,973 A * 8/1994 Edwards et al. 220/4.23
- D371,962 S * 7/1996 Petruzzi D9/423
- 5,782,371 A * 7/1998 Baerenwald et al. 220/4.22

- D401,017 S * 11/1998 Thorpe D28/78
- D409,484 S * 5/1999 Tasker D9/423
- D449,165 S * 10/2001 van der Hulst D3/294
- 6,530,498 B1 * 3/2003 Ovadia 220/829
- D479,016 S * 8/2003 Sgariboldi D28/78
- 6,609,623 B2 * 8/2003 Chou 220/4.23
- D592,399 S * 5/2009 Sage D3/295

(Continued)

FOREIGN PATENT DOCUMENTS

- CN 305748128 * 5/2020
- CN 305859785 * 6/2020

(Continued)

Primary Examiner — Paula Allen Greene

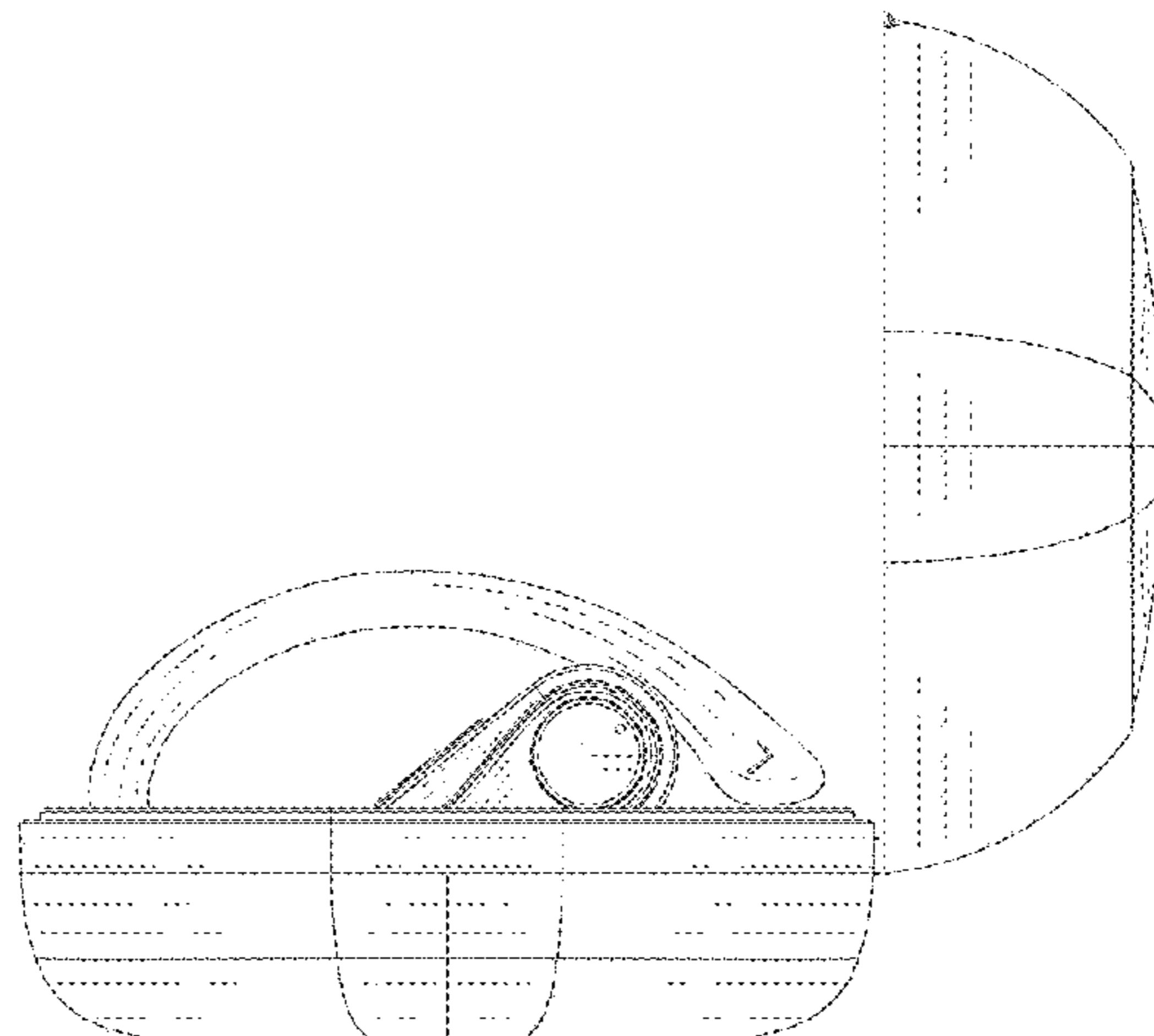
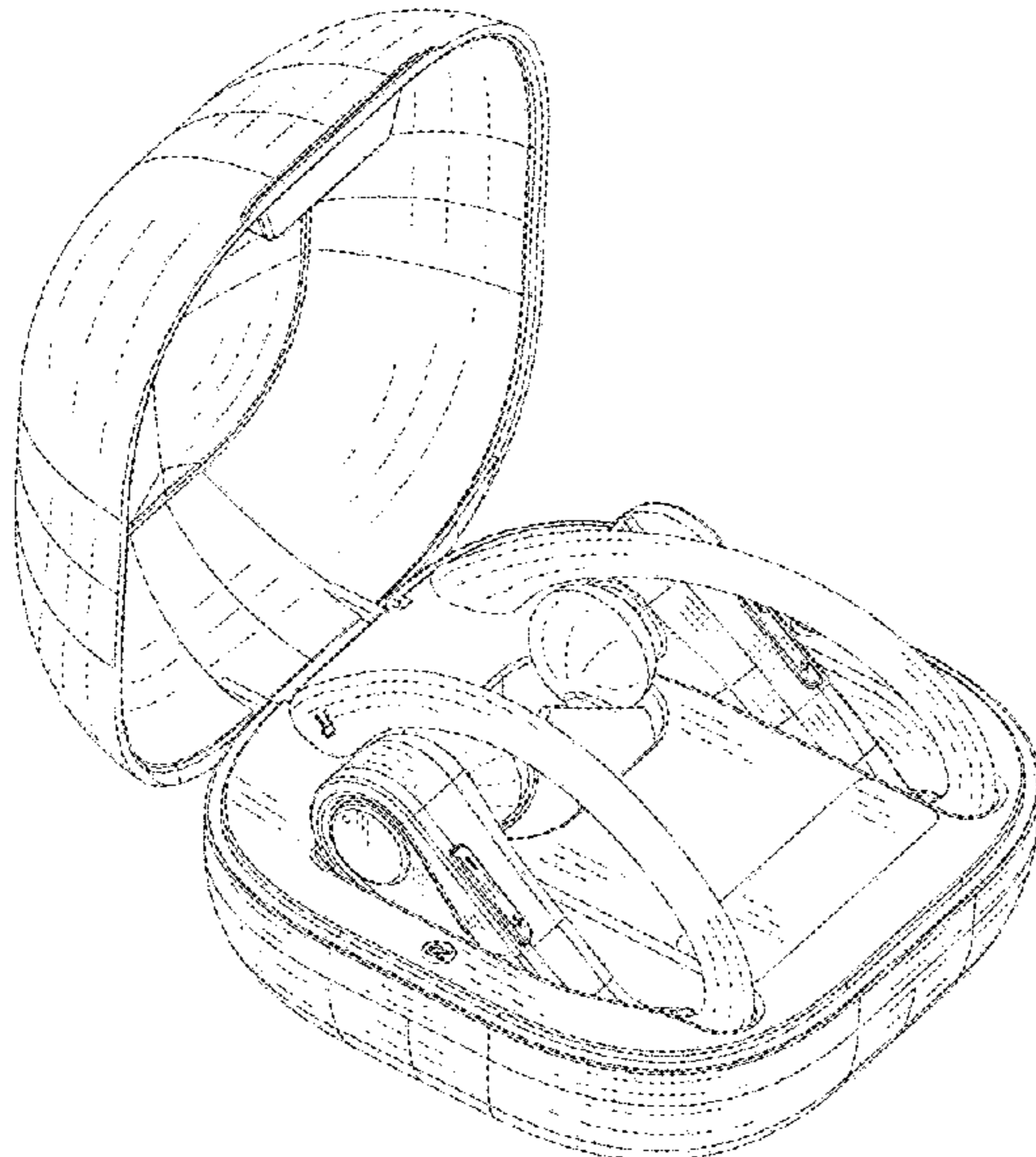
(57) **CLAIM**

The ornamental design for a combined earphone with charging cradle, as shown and described.

DESCRIPTION

FIG. 1 is a perspective view of a combined earphone with charging cradle showing my new design, showing the charging cradle in an open position;
 FIG. 2 is a front elevation view of FIG. 1;
 FIG. 3 is a rear elevation view of FIG. 1;
 FIG. 4 is a left side elevation view of FIG. 1;
 FIG. 5 is a right side elevation view of FIG. 1;
 FIG. 6 is a top plan view of FIG. 1;
 FIG. 7 is a bottom plan view of FIG. 1;
 FIG. 8 is another perspective view of a combined earphone with charging cradle showing the charging cradle in a closed position;
 FIG. 9 is a front elevation view of FIG. 8;
 FIG. 10 is a rear elevation view of FIG. 8;
 FIG. 11 is a left side elevation view of FIG. 8;
 FIG. 12 is a right side elevation view of FIG. 8;
 FIG. 13 is a top plan view of FIG. 8; and,
 FIG. 14 is a bottom plan view of FIG. 8.

1 Claim, 14 Drawing Sheets



(56)

References Cited

U.S. PATENT DOCUMENTS

D592,494 S * 5/2009 Wichowski D9/414
 D604,501 S * 11/2009 Lee D3/201
 D612,152 S * 3/2010 Roesler D3/294
 D655,045 S * 2/2012 Paschoal D28/83
 8,117,807 B2 * 2/2012 Bellamah B65D 43/0212
 53/453
 D656,093 S * 3/2012 Nomi D13/107
 D657,237 S * 4/2012 Allers D9/423
 D674,688 S * 1/2013 Loftin D9/428
 D675,434 S * 2/2013 Vernall D3/294
 D694,102 S * 11/2013 Bellamah D9/424
 8,655,005 B2 * 2/2014 Birger H04R 1/1091
 381/381
 8,910,781 B2 * 12/2014 Pipes A24F 23/00
 206/242
 D731,793 S * 6/2015 Houghton D3/294
 D738,110 S * 9/2015 Jiang D3/294
 D740,692 S * 10/2015 Christie D9/748
 D772,572 S * 11/2016 Palmborg D3/294
 D782,996 S * 4/2017 Zhu D14/205
 D786,093 S * 5/2017 Christie D9/748
 D796,490 S * 9/2017 Lian D14/223
 D801,952 S * 11/2017 Lian D14/223
 D806,684 S * 1/2018 Tsai D14/223
 D806,687 S * 1/2018 Rodriguez D14/223
 D807,331 S * 1/2018 Morimoto D14/223
 D810,053 S * 2/2018 Otani D14/223
 D818,268 S * 5/2018 Akana D3/294
 D821,364 S * 6/2018 Brunner D14/223
 D834,003 S * 11/2018 Maeda D14/223
 D838,692 S * 1/2019 Fu D14/223
 D839,583 S * 2/2019 Cao D3/201
 D842,836 S * 3/2019 Ma D14/205
 D843,344 S * 3/2019 Zhu D14/205
 D843,971 S * 3/2019 Xu D14/206
 D846,264 S * 4/2019 Wu D3/201
 D848,978 S * 5/2019 Min D14/223
 D852,784 S * 7/2019 Cramer H04R 1/1008
 D14/223
 D853,360 S * 7/2019 Kawabata D14/223
 D855,588 S * 8/2019 Hao D14/223

D858,482 S * 9/2019 Ma D14/205
 D863,265 S * 10/2019 Hu D14/223
 10,477,307 B1 * 11/2019 Zhang H04R 1/1016
 D869,435 S * 12/2019 Sanhua D14/205
 D870,451 S * 12/2019 Birger D3/201
 D871,375 S * 12/2019 Meyer D14/223
 D873,246 S * 1/2020 Zhu D14/223
 D873,789 S * 1/2020 Hu D14/205
 D878,338 S * 3/2020 Yang D14/223
 D881,572 S * 4/2020 Wang D3/294
 D881,810 S * 4/2020 Zhang D13/108
 D881,850 S * 4/2020 Zhang D14/223
 D883,259 S * 5/2020 Ma D14/223
 D885,370 S * 5/2020 Hu D14/223
 D886,455 S * 6/2020 Williamson D3/294
 D888,023 S * 6/2020 Gao D14/223
 D890,137 S * 7/2020 Ma D14/223
 D890,725 S * 7/2020 Liu D14/223
 D893,184 S * 8/2020 Liu D3/294
 D893,185 S * 8/2020 Liu D3/294
 D894,123 S * 8/2020 Xiong D13/108
 D897,320 S * 9/2020 Boyd D14/223
 D899,406 S * 10/2020 Ma D14/223
 2007/0256947 A1 * 11/2007 Bernard B65D 25/106
 206/408
 2008/0156805 A1 * 7/2008 Perry B65D 25/2897
 220/361
 2008/0215440 A1 * 9/2008 Peterson G06Q 30/0225
 705/14.26
 2010/0166208 A1 * 7/2010 Kato H04R 5/0335
 381/74
 2018/0275950 A1 * 9/2018 Takagi A61M 21/02
 2020/0100011 A1 * 3/2020 Bruss H04R 1/1016
 2020/0154196 A1 * 5/2020 Kolton H04R 1/105
 2020/0314518 A1 * 10/2020 Hatfield H04R 1/105

FOREIGN PATENT DOCUMENTS

CN 306011261 * 8/2020
 CN 306078555 * 9/2020
 EM 006874426-0001 * 9/2019
 EM 006913612-0001 * 9/2019

* cited by examiner

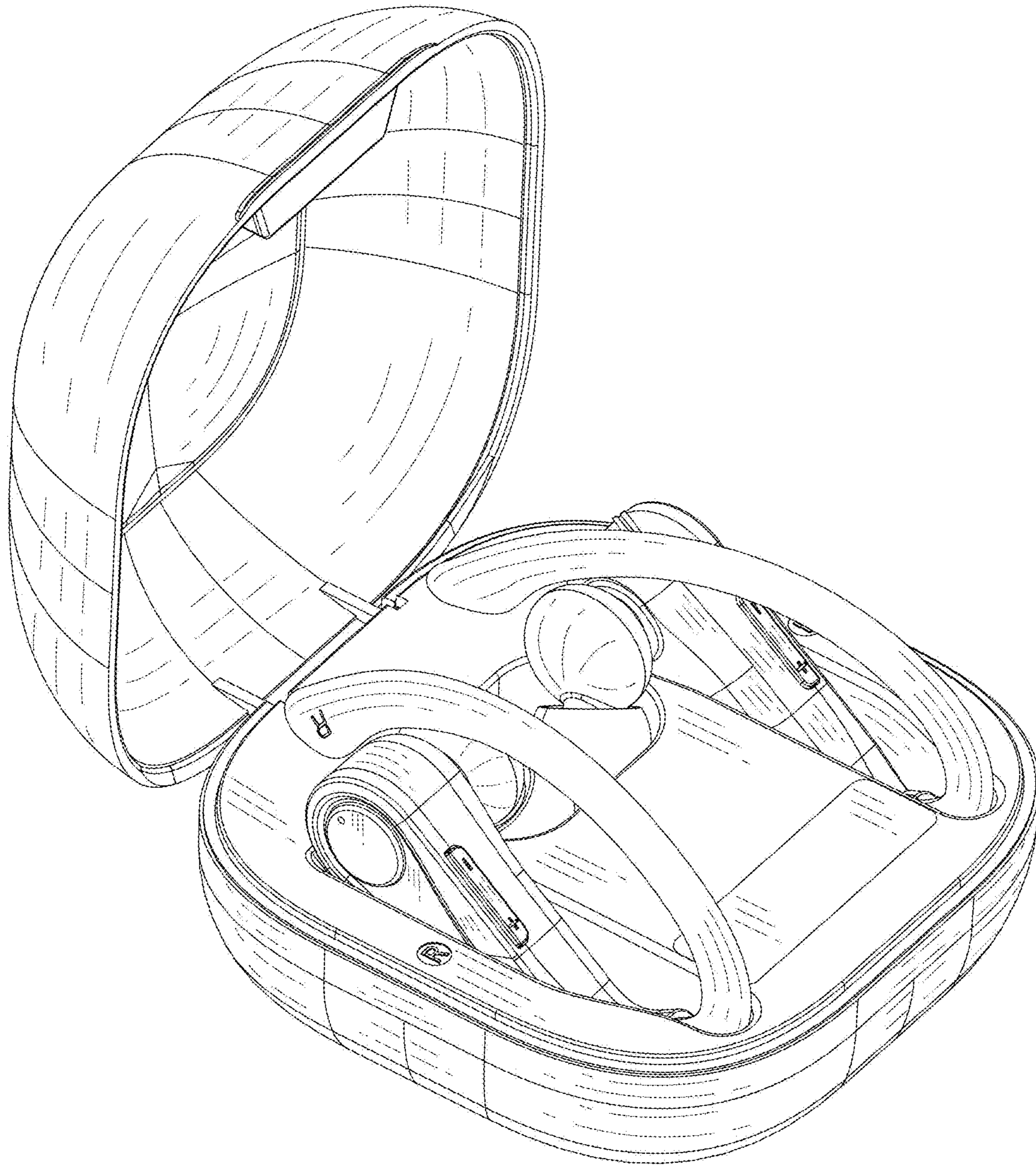


FIG.1

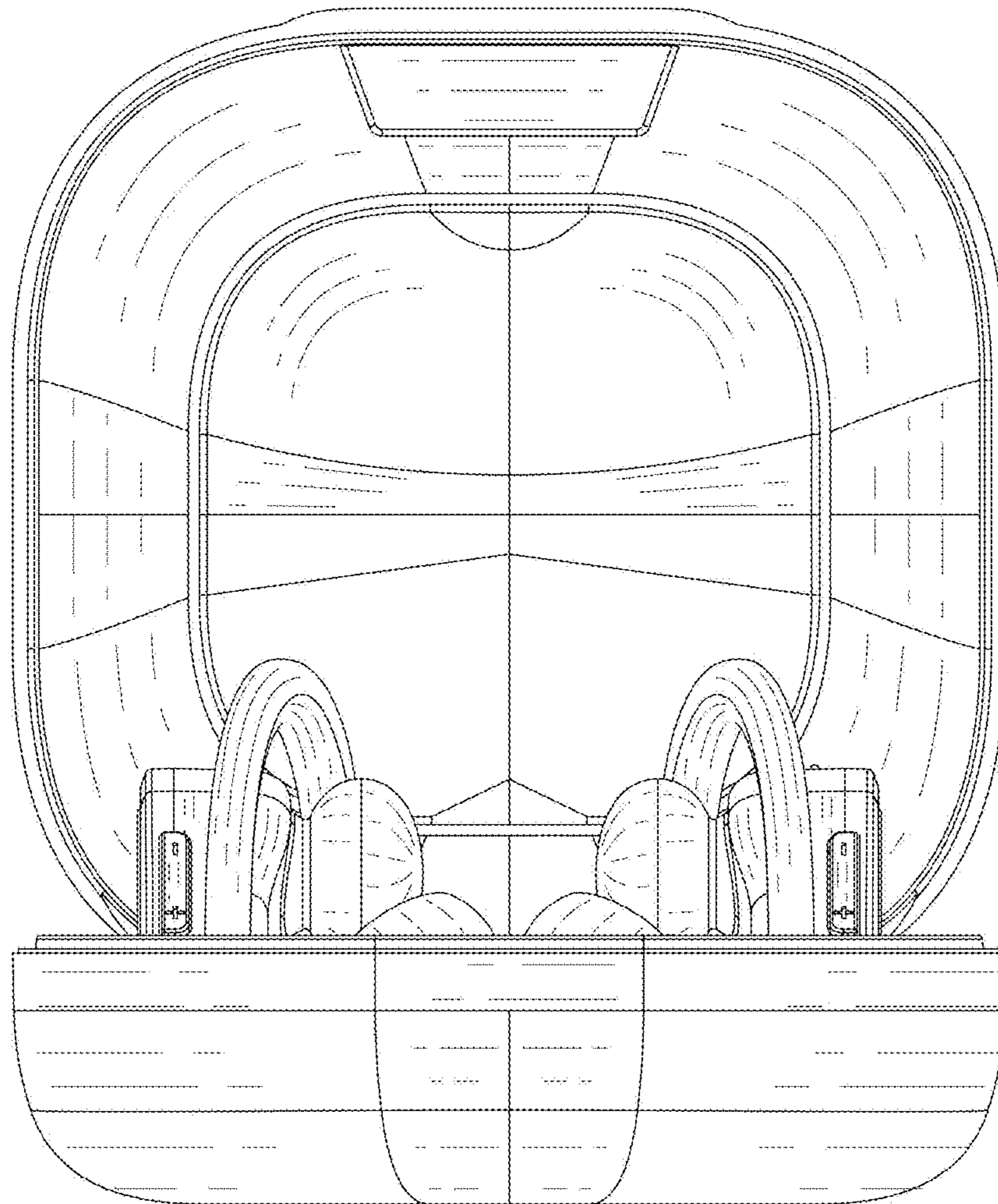


FIG.2

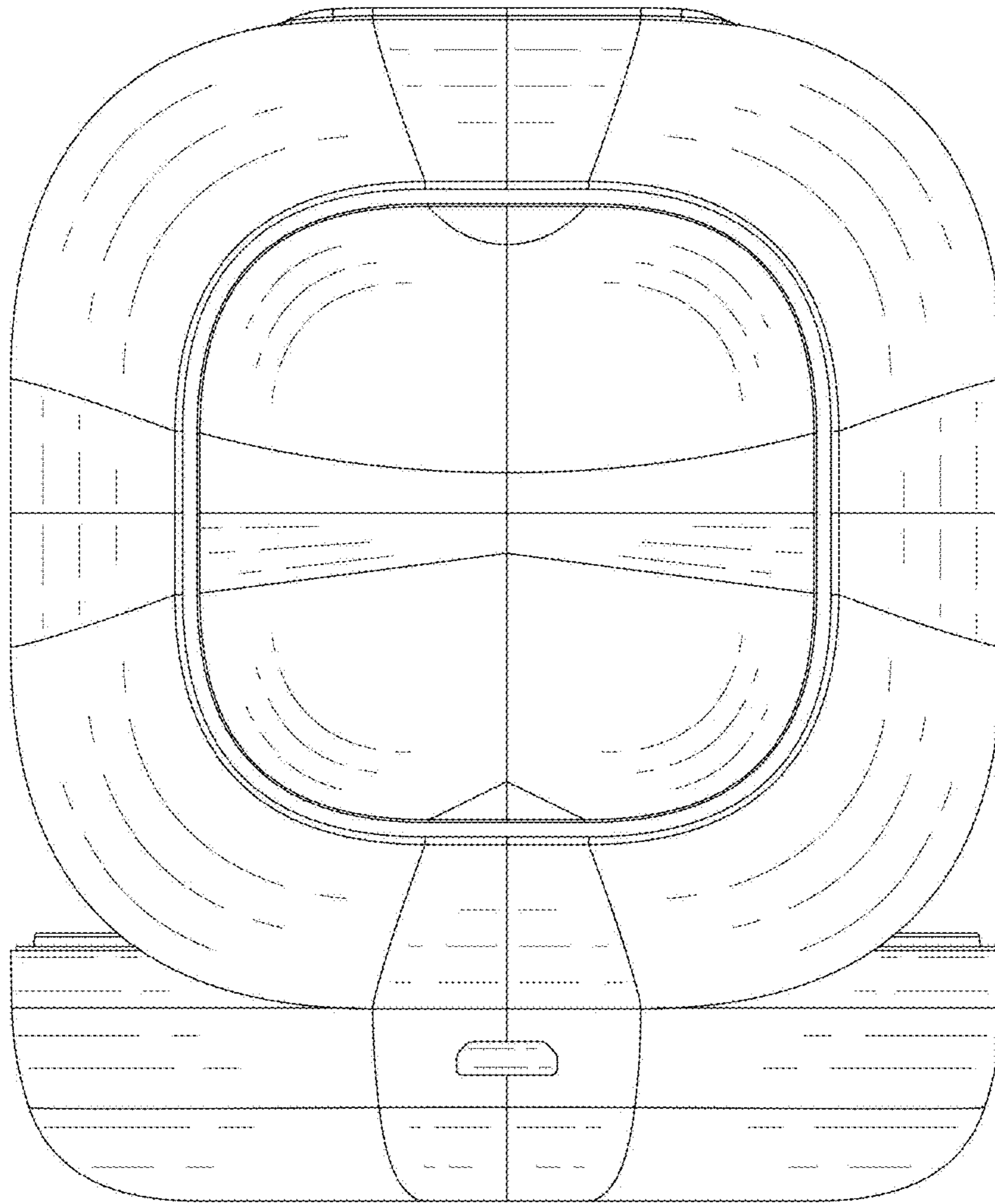


FIG.3

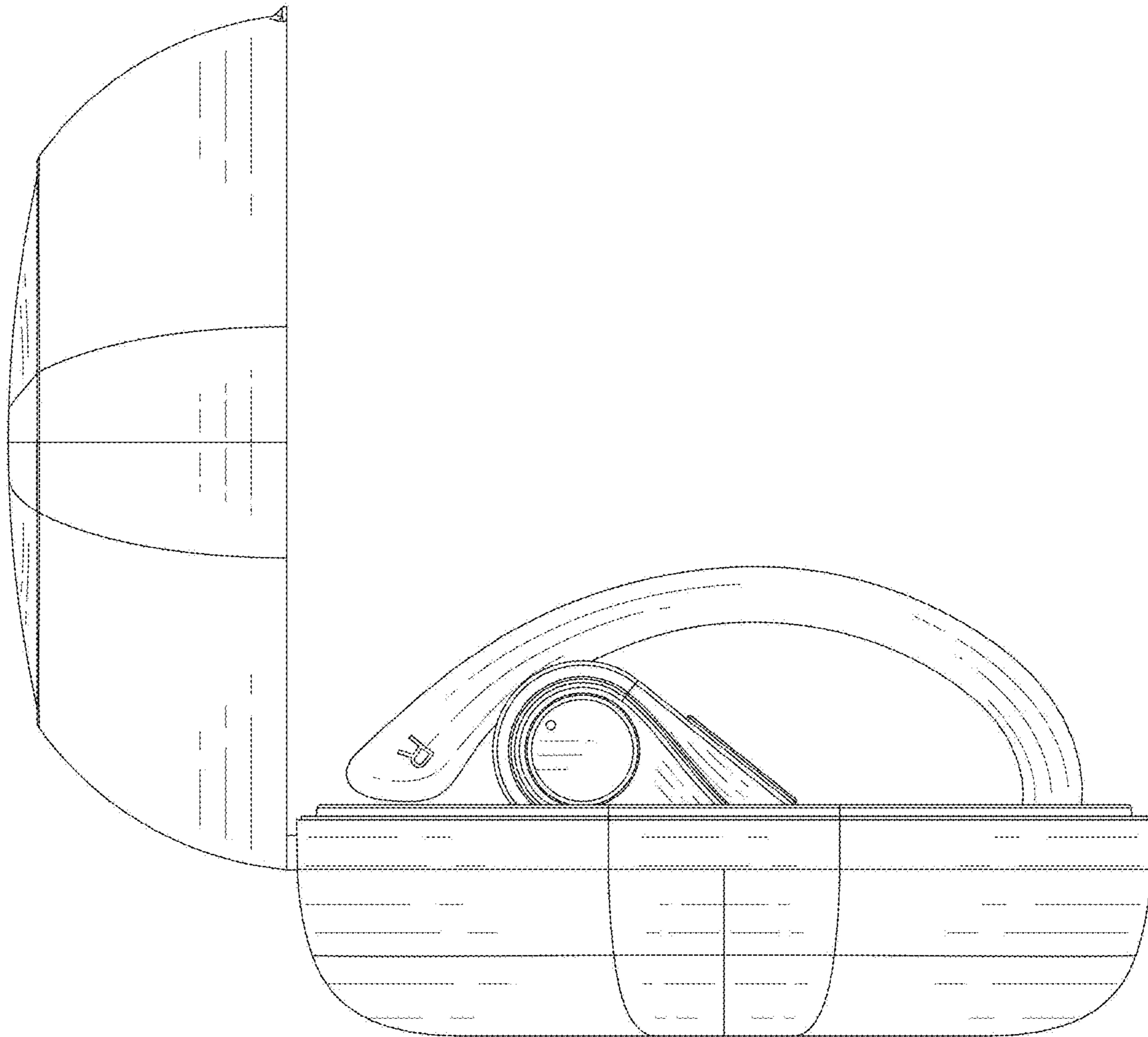


FIG.4

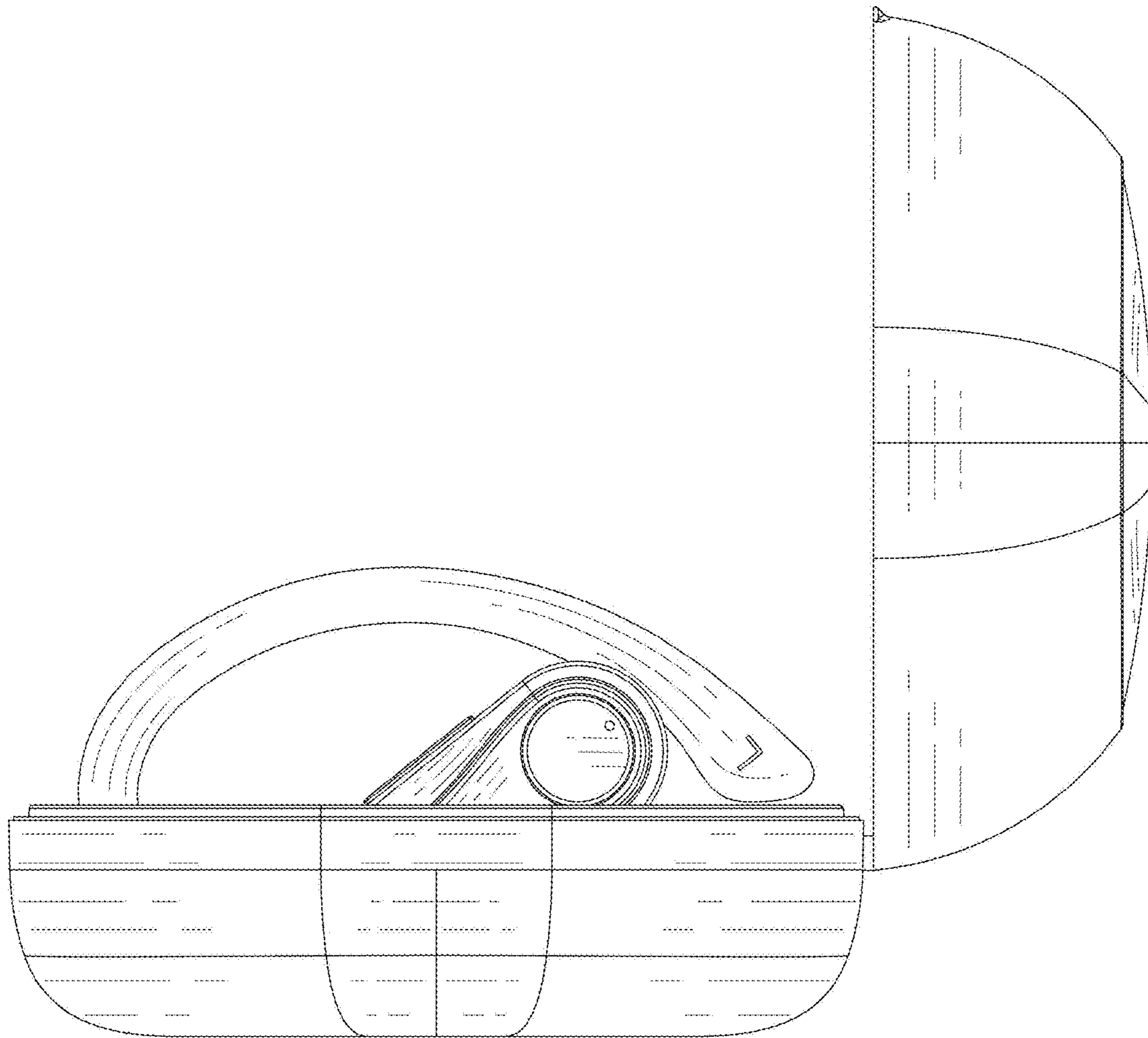


FIG. 5

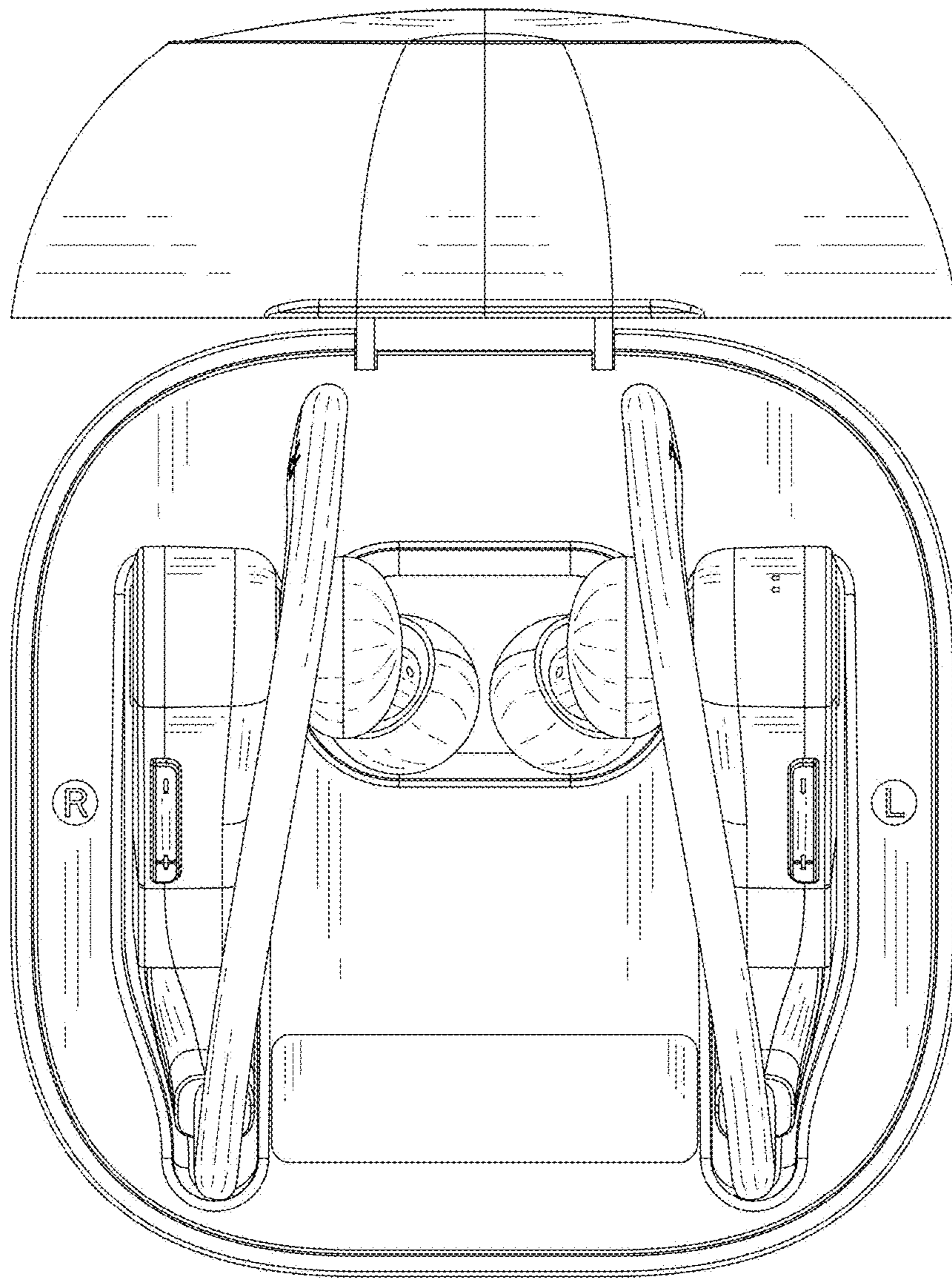


FIG. 6

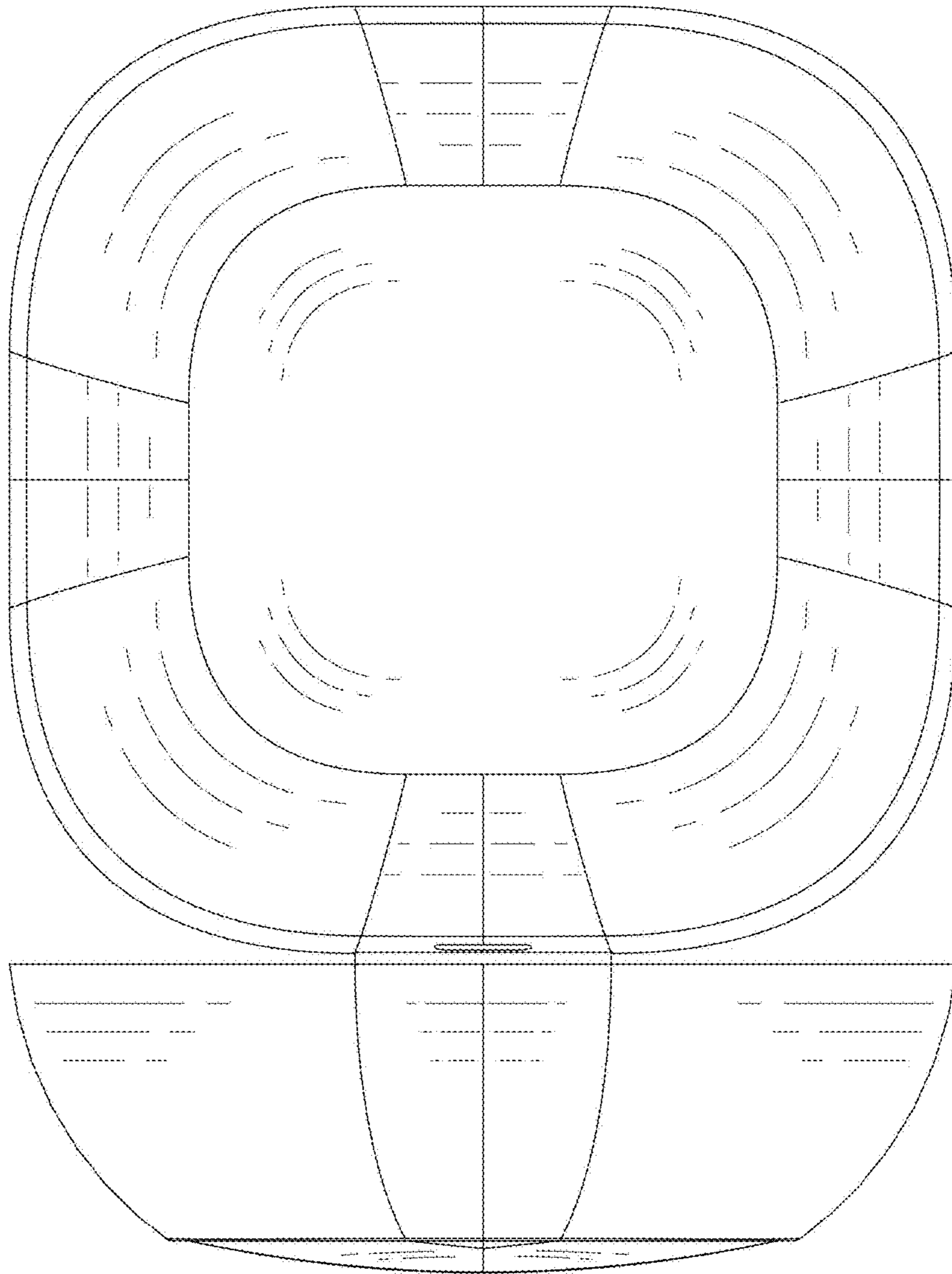


FIG. 7

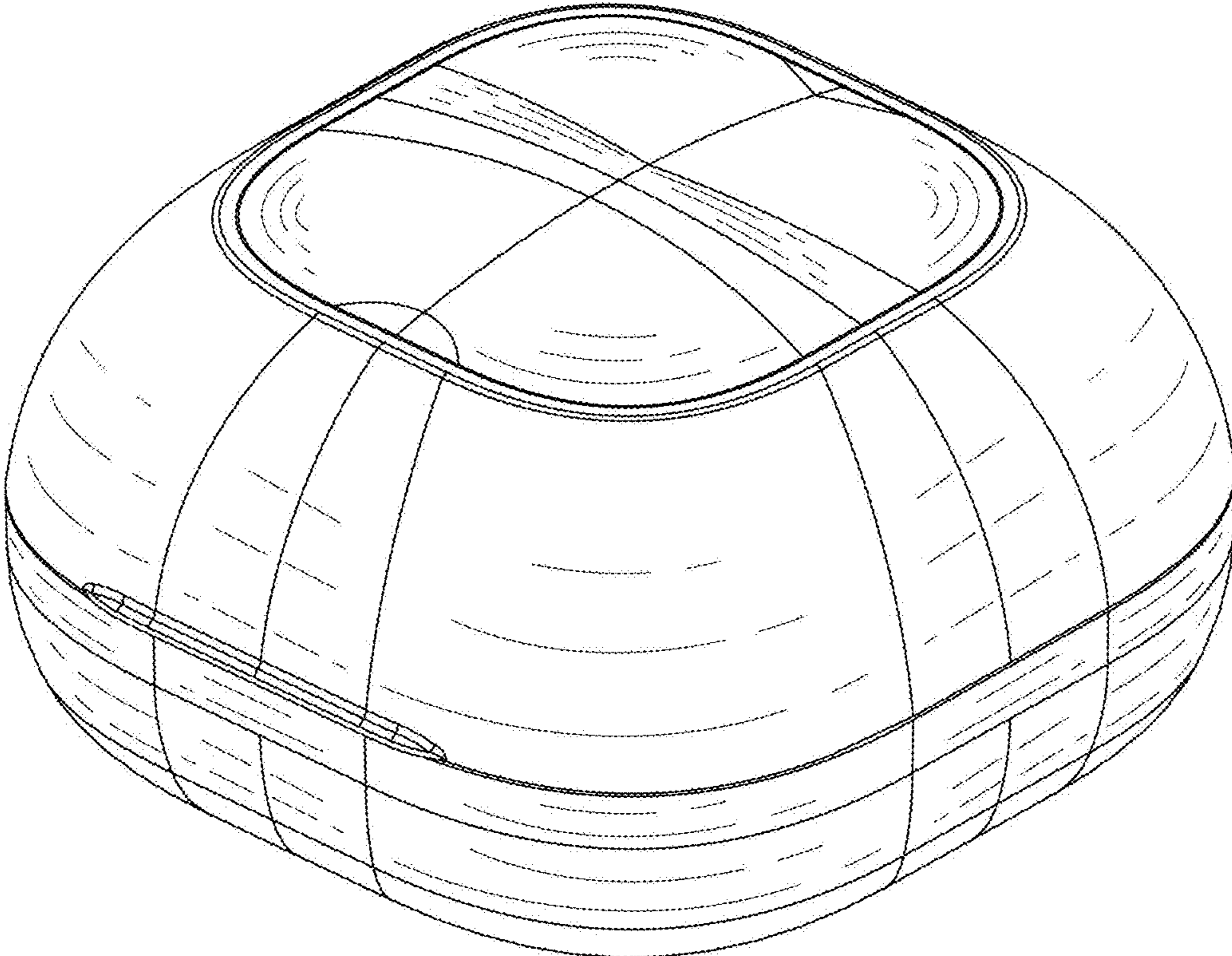


FIG. 8

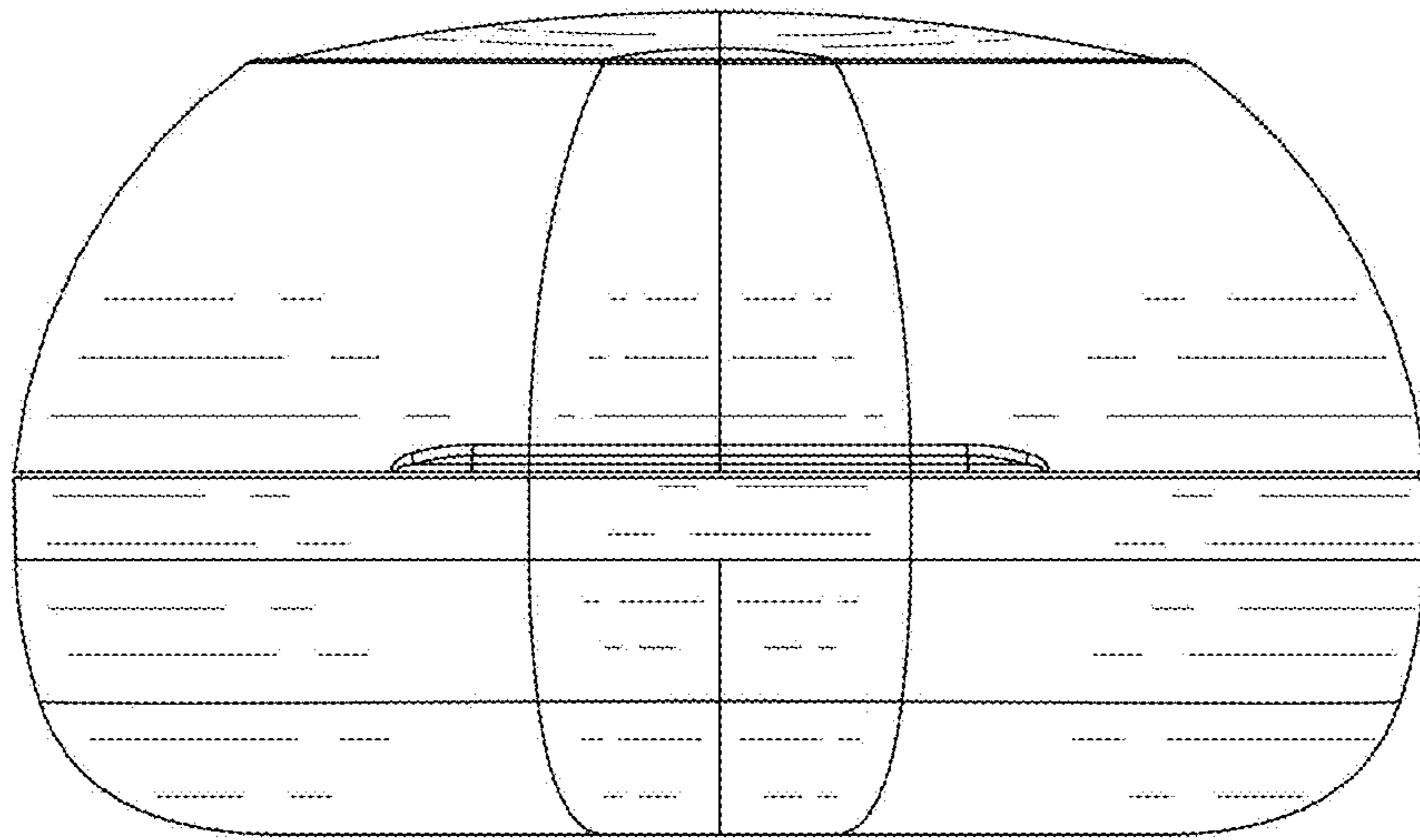


FIG. 9

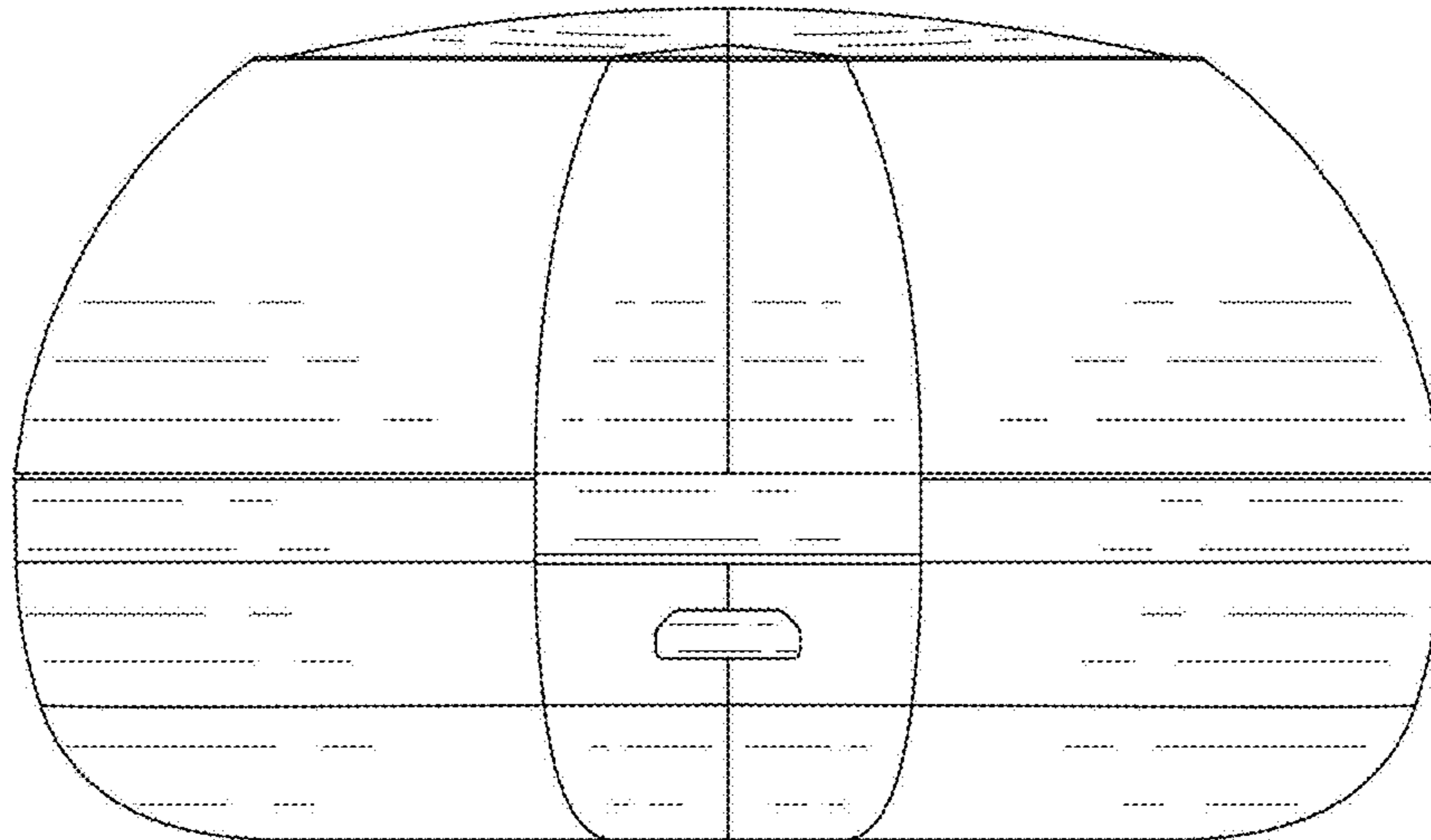


FIG. 10

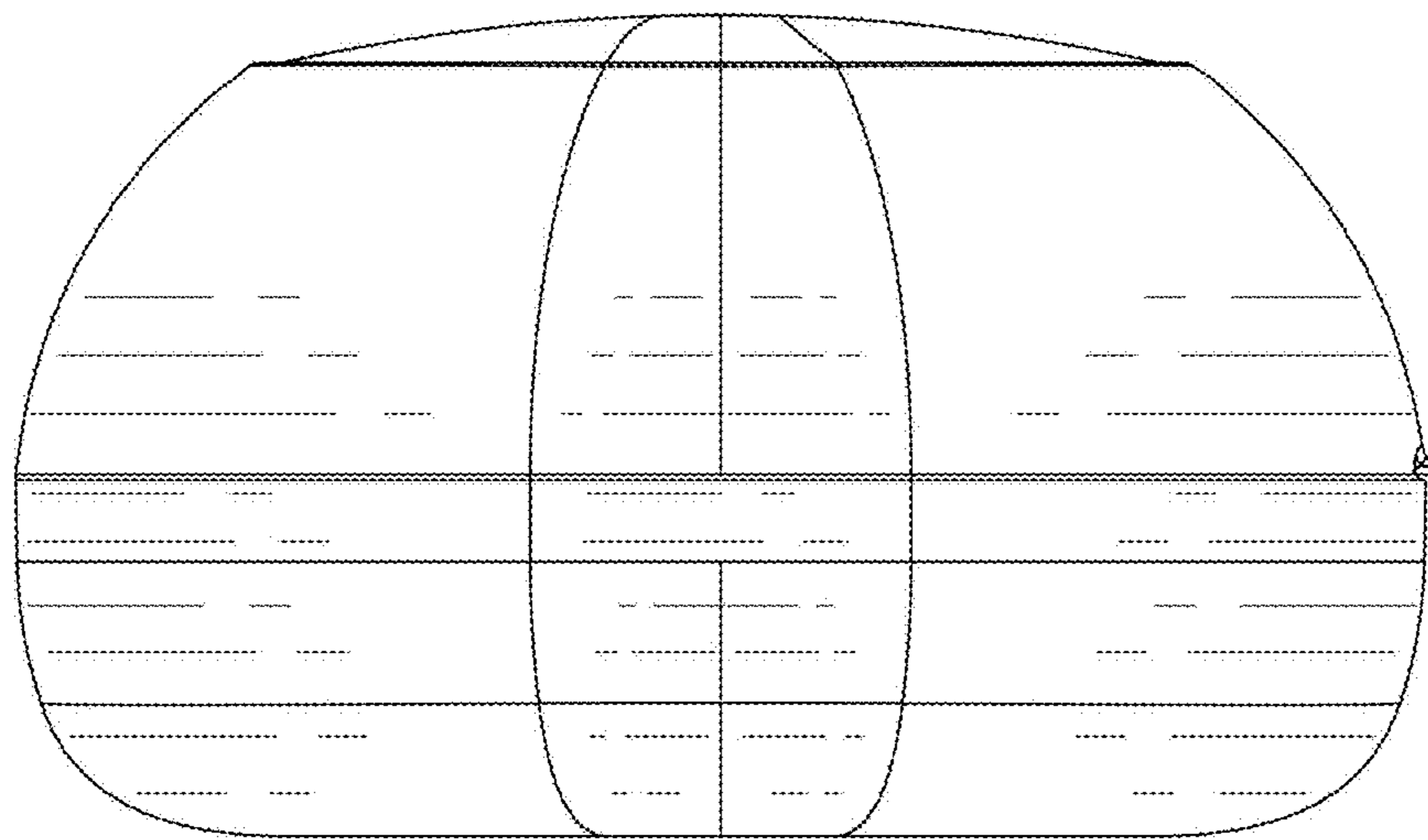


FIG. 11

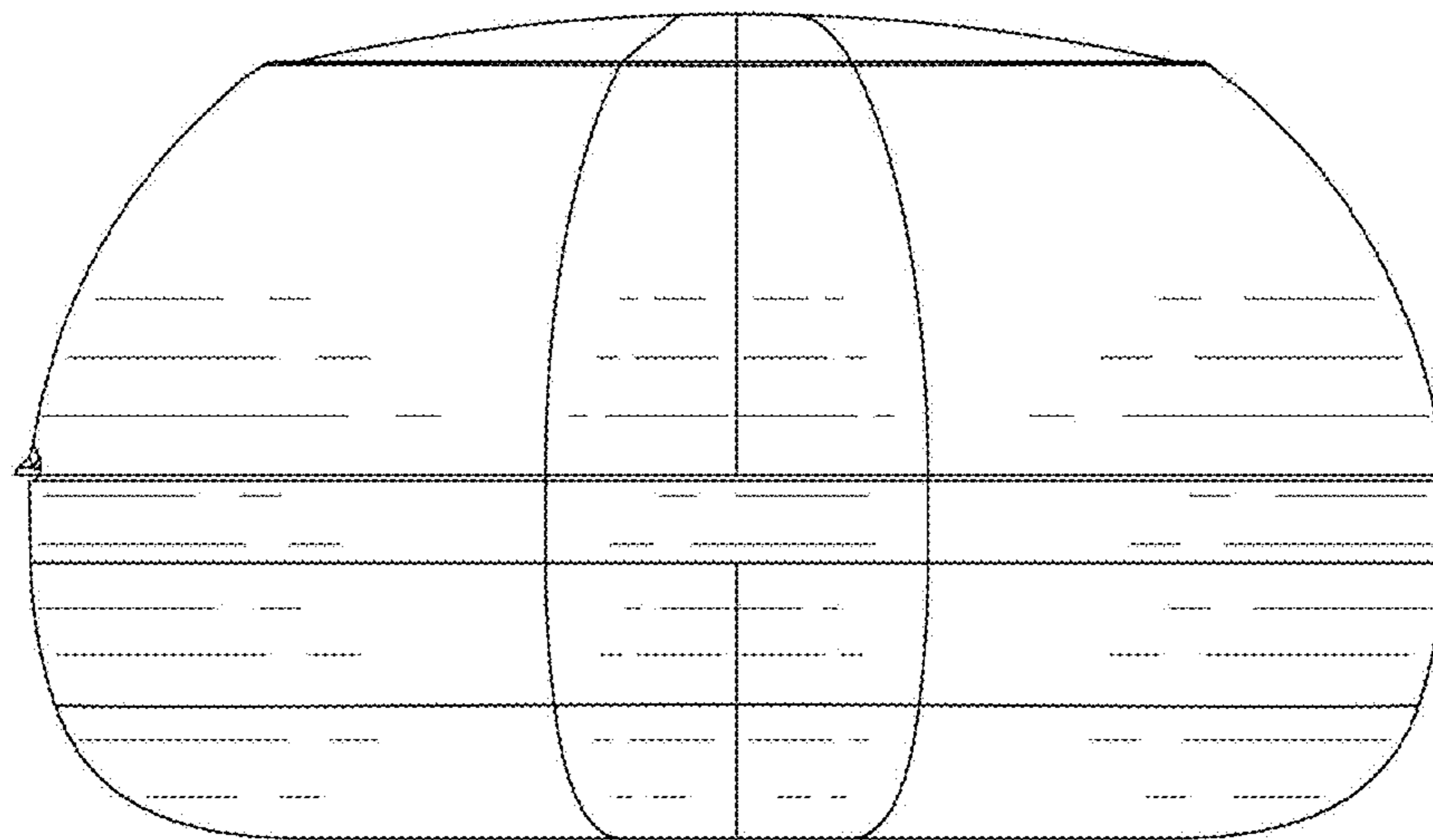


FIG. 12

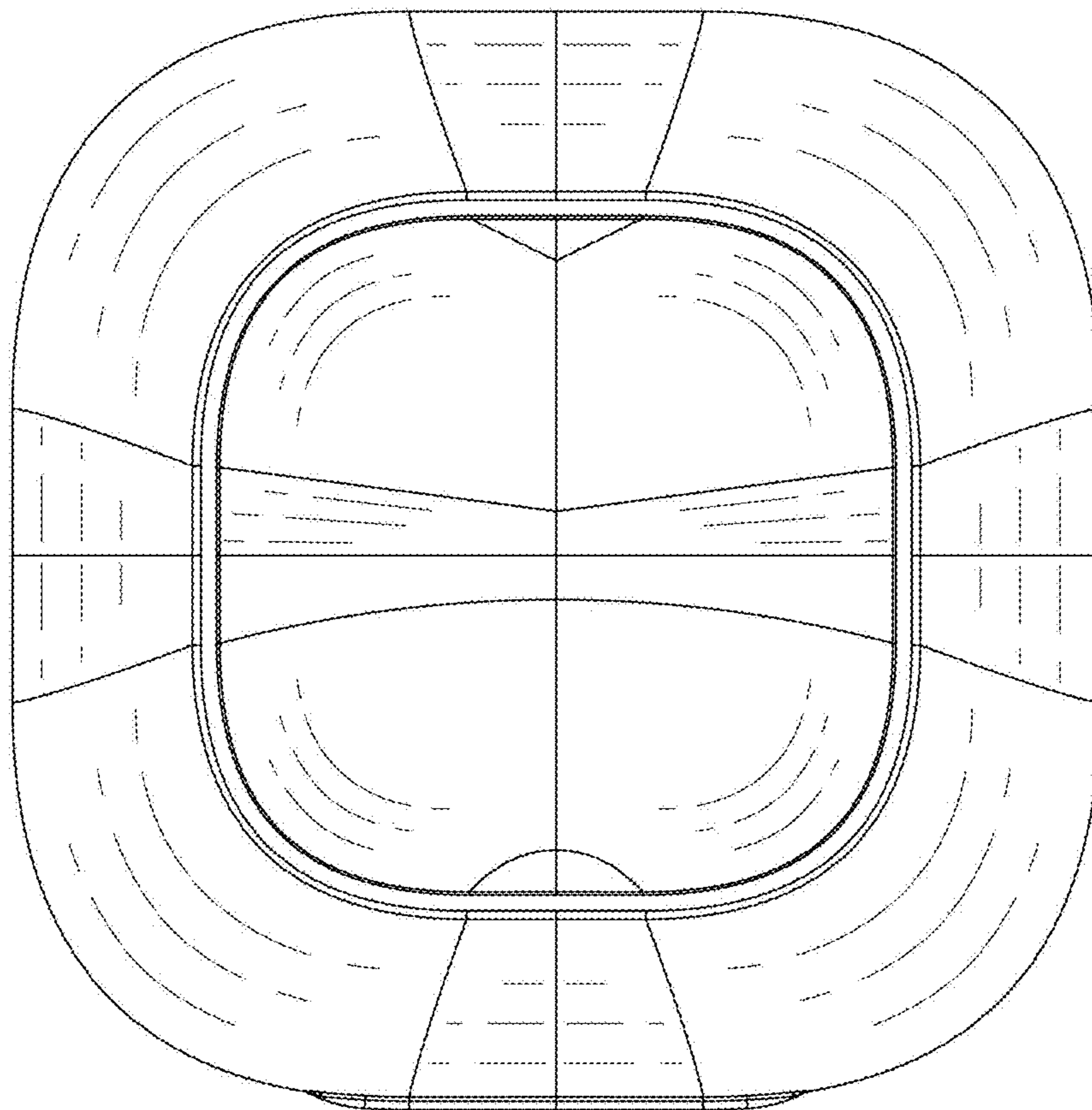


FIG. 13

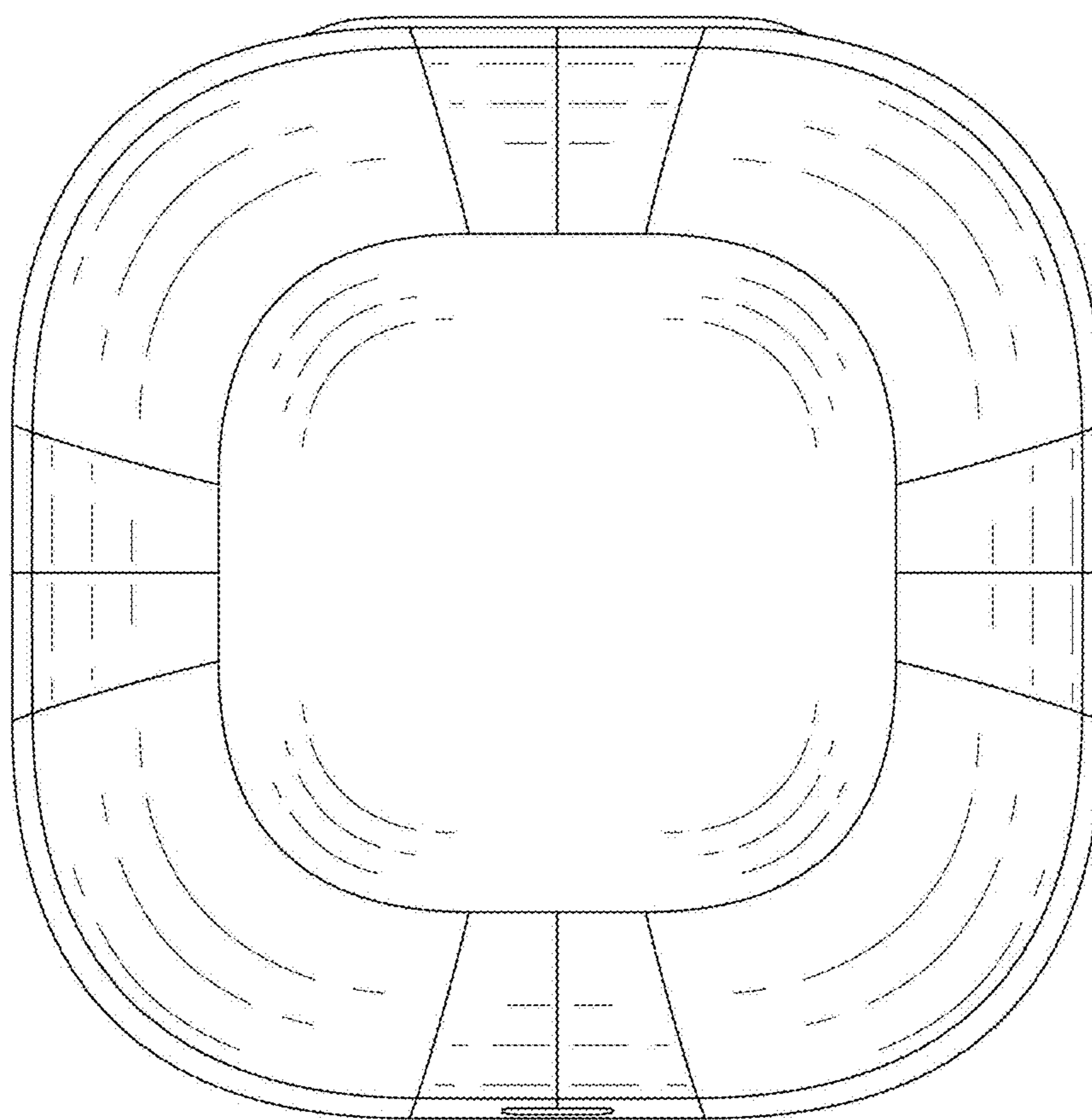


FIG. 14