



US00D912013S

(12) **United States Design Patent**  
**Huang**

(10) **Patent No.:** **US D912,013 S**  
(45) **Date of Patent:** **\*\* Mar. 2, 2021**

(54) **MAGNET FOR MAGNETIC CIRCUIT OF LOUDSPEAKER**

(71) Applicant: **TYMPHANY ACOUSTIC TECHNOLOGY (HUIZHOU) CO., LTD.**, Huizhou (CN)

(72) Inventor: **Shao Ting Huang**, Huizhou (CN)

(73) Assignee: **TYMPHANY ACOUSTIC TECHNOLOGY (HUIZHOU) CO., LTD.**, Huizhou (CN)

(\*\*) Term: **15 Years**

(21) Appl. No.: **29/666,818**

(22) Filed: **Oct. 16, 2018**

(30) **Foreign Application Priority Data**

Apr. 18, 2018 (CN) ..... 201830160923.2

(51) **LOC (13) Cl.** ..... **14-03**

(52) **U.S. Cl.**  
USPC ..... **D14/217**

(58) **Field of Classification Search**  
USPC ..... D14/217, 204, 210–216, 219–222, 168, D14/135

CPC ..... H04R 2420/07; H04R 5/02; H04R 5/04; H04R 2420/01; H04R 3/00; H04R 3/12; H04R 1/025; H04R 1/028; H04R 1/105; H04R 1/24; H04R 2201/028; H04R 2205/024; H04R 2227/003; H04R 2499/15; H04R 27/00; H04R 3/005; H04R 3/14; H04R 17/02; H04R 1/02; H04R 1/021; H04R 1/023; H04R 1/04; H04R 1/06; H04R 1/1008; H04R 1/1016; H04R 1/1041; H04R 1/1066; H04R 1/1075; H04R 1/1083; H04R 1/1091; H04R 1/26; H04R 1/2803; H04R 1/345; H04R 1/403; H04R 1/406; H04R 2201/021; H04R 2201/023; H04R 2201/10; H04R 2201/105; H04R 2201/401; H04R 2201/403; H04R

2201/405; H04R 2203/12; H04R 2225/43; H04R 2227/005; H04R 2400/01; H04R 2400/03; H04R 2420/03; H04R 2420/05; H04R 2420/09; H04R 2430/01; H04R 2430/03; H04R 2460/13; H04R 25/00; H04R 25/353; H04R 29/00; H04R 29/004; H04R 29/007; H04R 31/00; H04R 31/006; H04R 3/04; H04R 5/027;  
(Continued)

(56) **References Cited**

U.S. PATENT DOCUMENTS

D791,740 S \* 7/2017 Fuller ..... D14/222  
D798,269 S \* 9/2017 Iijima ..... D14/217  
D798,270 S \* 9/2017 Iijima ..... D14/217

(Continued)

*Primary Examiner* — Khawaja Anwar

(74) *Attorney, Agent, or Firm* — Muncy, Geissler, Olds & Lowe, P.C.

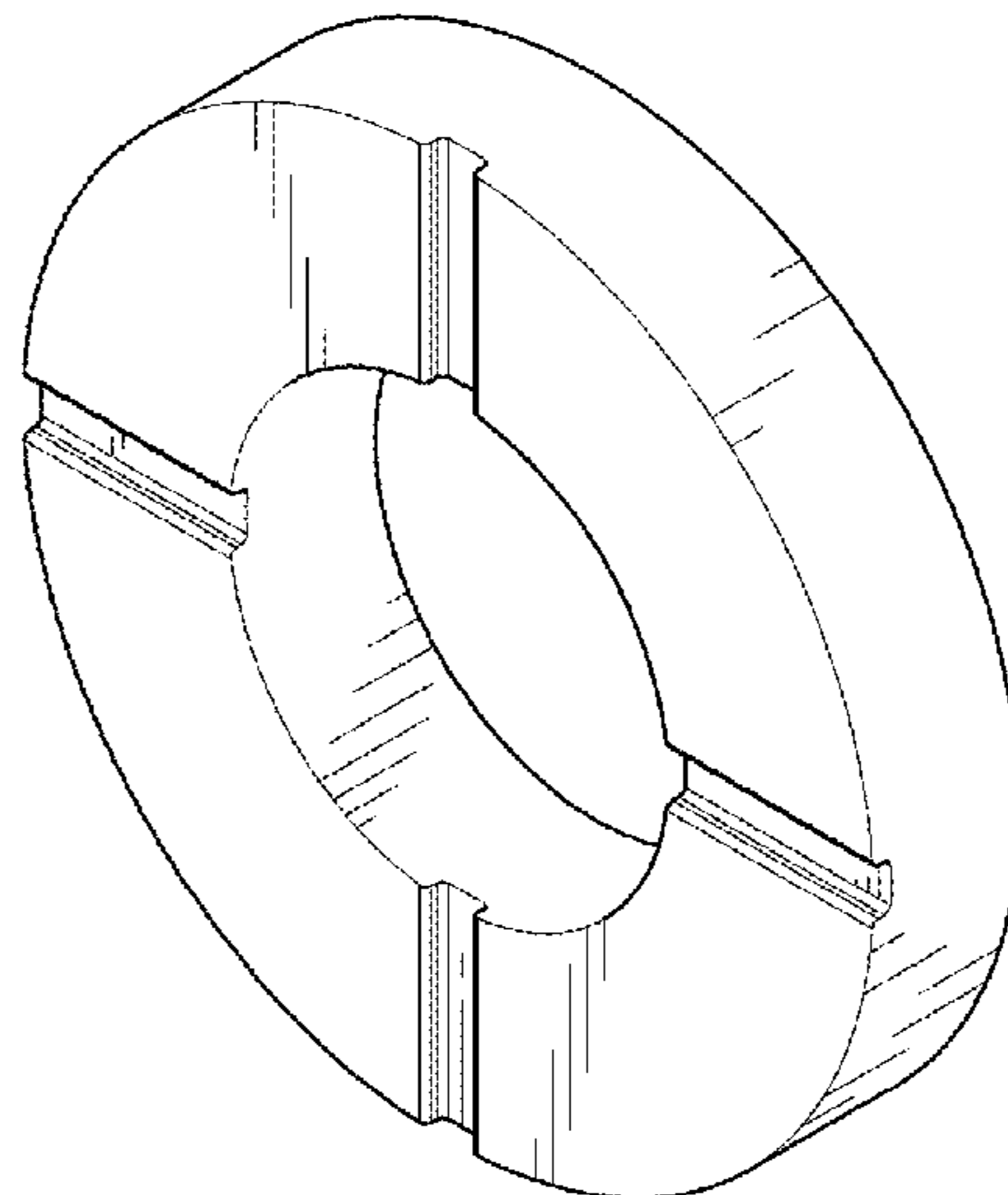
(57) **CLAIM**

The ornamental design for a magnet for magnetic circuit of loudspeaker, as shown and described.

**DESCRIPTION**

FIG. 1 is a top perspective view of a magnet for magnetic circuit of loudspeaker, showing my new design;  
FIG. 2 is a front view thereof;  
FIG. 3 is a rear view thereof;  
FIG. 4 is a left side view thereof;  
FIG. 5 is a right side view thereof;  
FIG. 6 is a top view thereof;  
FIG. 7 is a bottom view thereof; and,  
FIG. 8 is a perspective view of a magnetic circuit formed by a the magnet for magnetic circuit of loudspeaker assembling with a T-yolk.  
The broken lines illustrate environment that form no part of the claimed design.

**1 Claim, 5 Drawing Sheets**



(58) **Field of Classification Search**

CPC ..... H04R 5/033; H04R 5/0335; H04R 9/025;  
H04R 9/06

See application file for complete search history.

(56) **References Cited**

U.S. PATENT DOCUMENTS

D856,977 S	*	8/2019	Hartmann	.....	D14/216
D864,170 S	*	10/2019	Loidl	.....	D14/224
D866,524 S	*	11/2019	McElveen	.....	H04R 1/406
					D14/217
D866,525 S	*	11/2019	Chen	.....	D14/217
D877,124 S	*	3/2020	Miller	.....	D14/217

\* cited by examiner

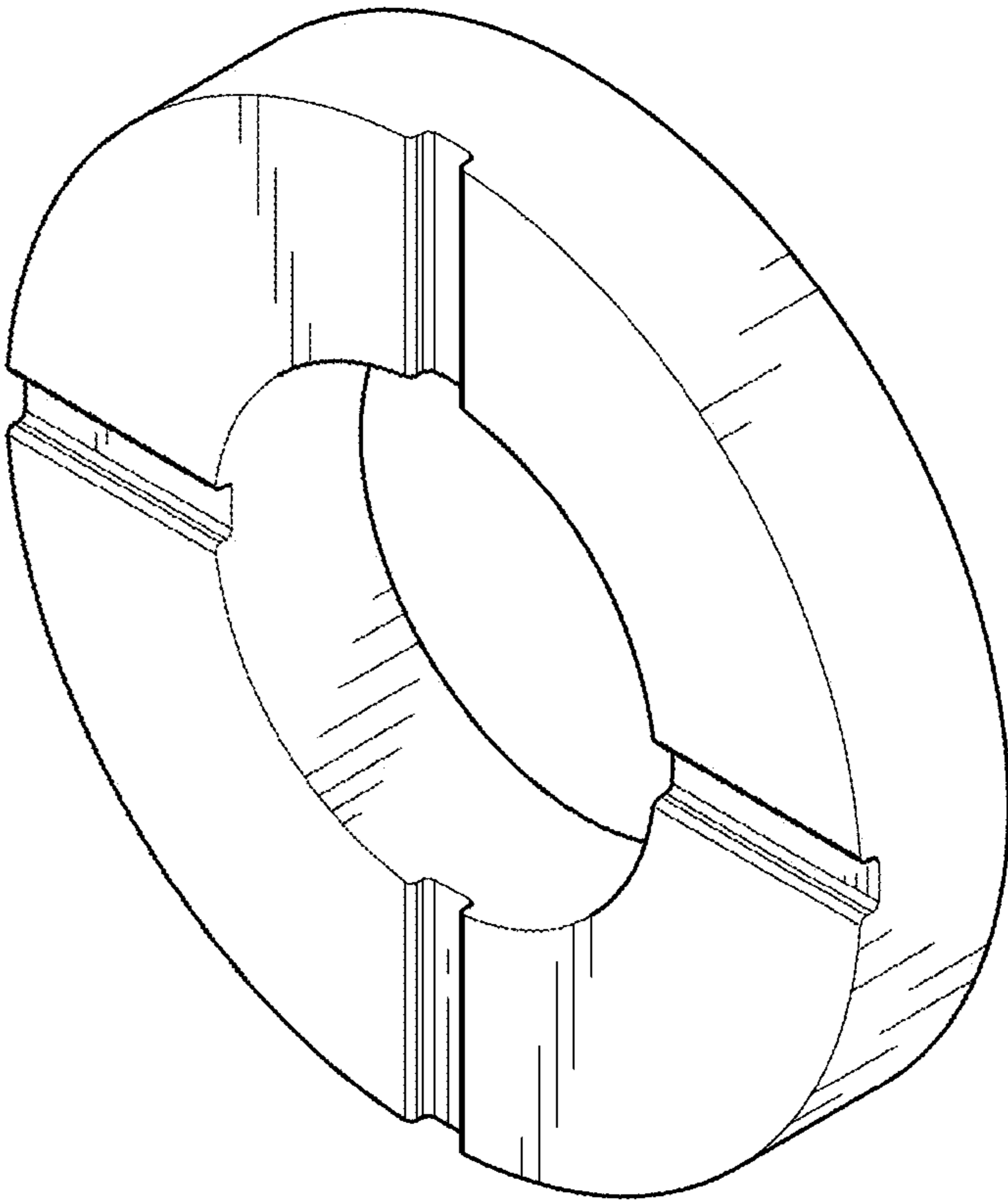


FIG.1

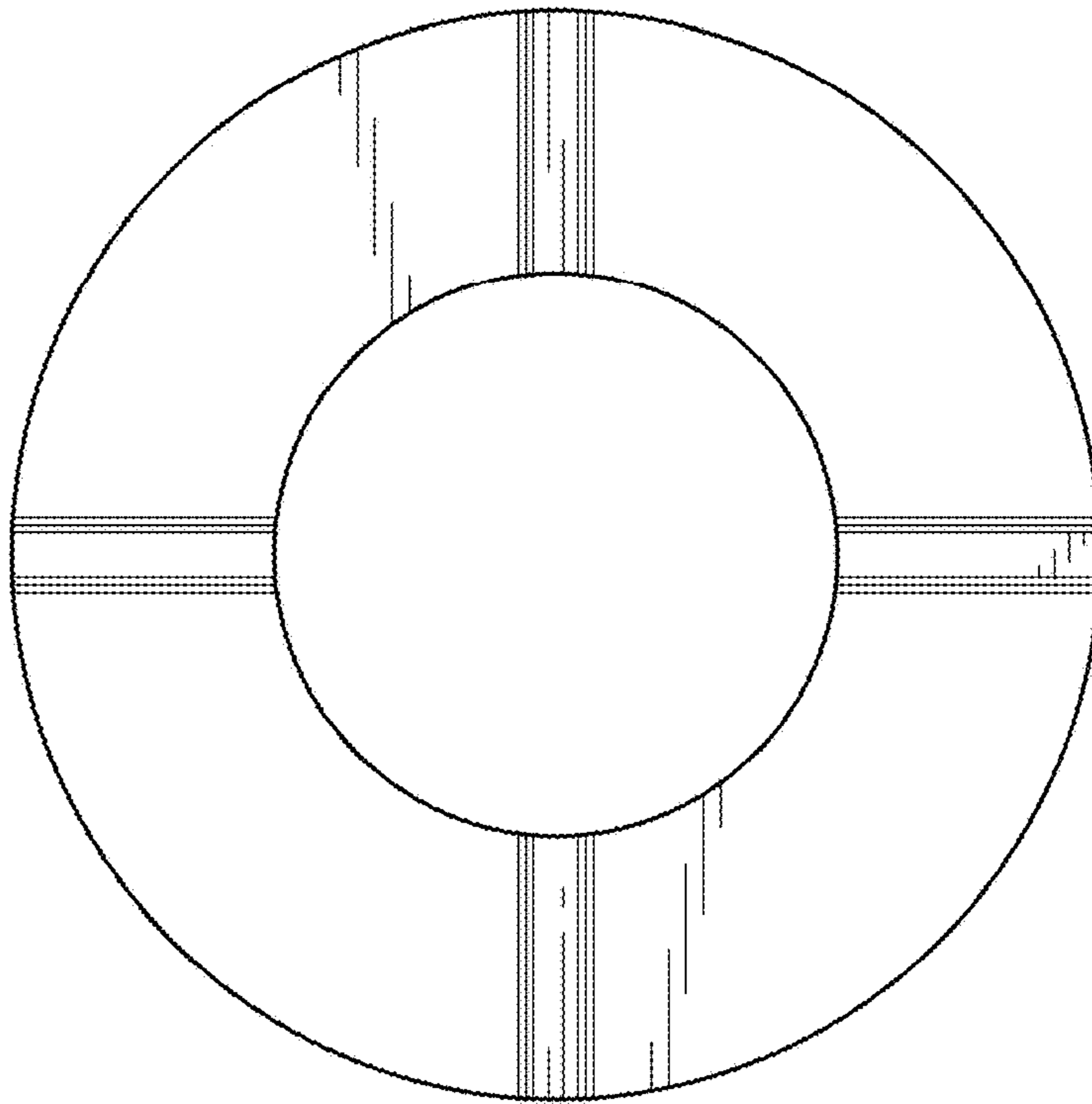


FIG. 2

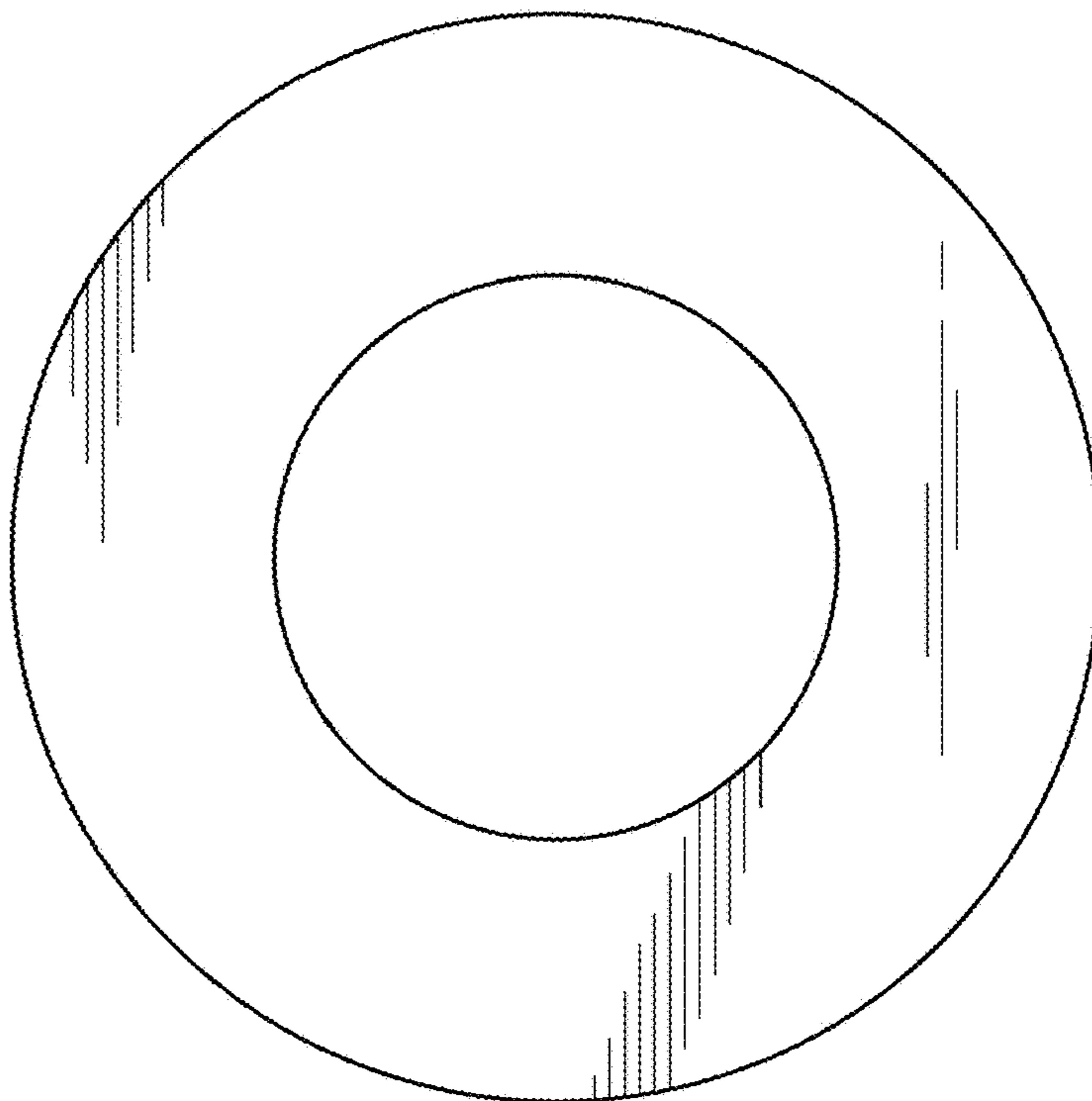


FIG. 3

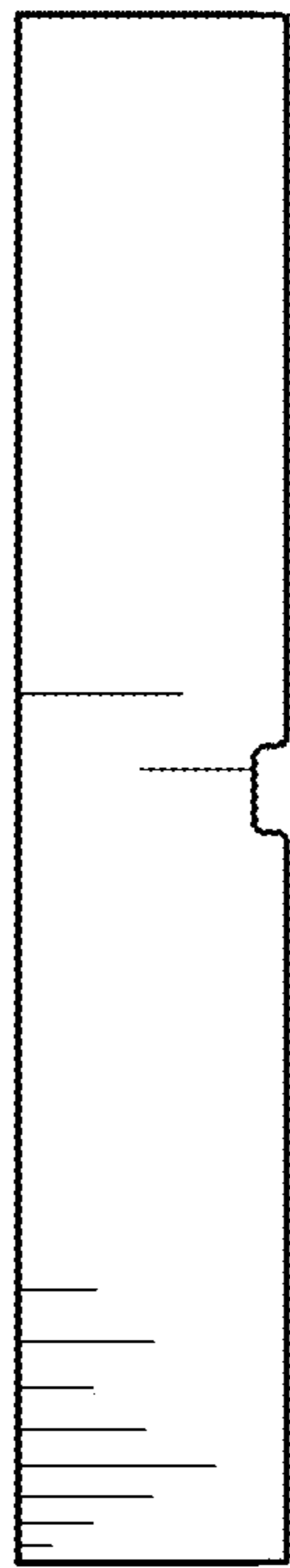


FIG.4

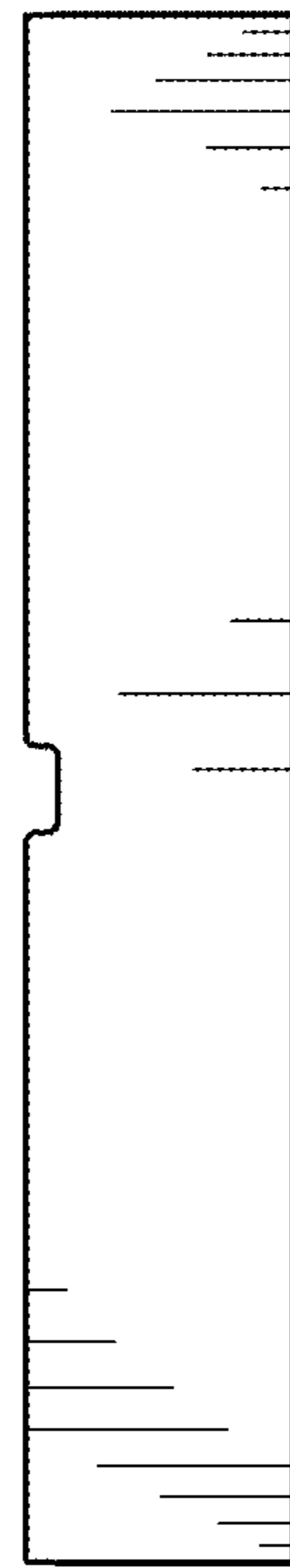


FIG.5

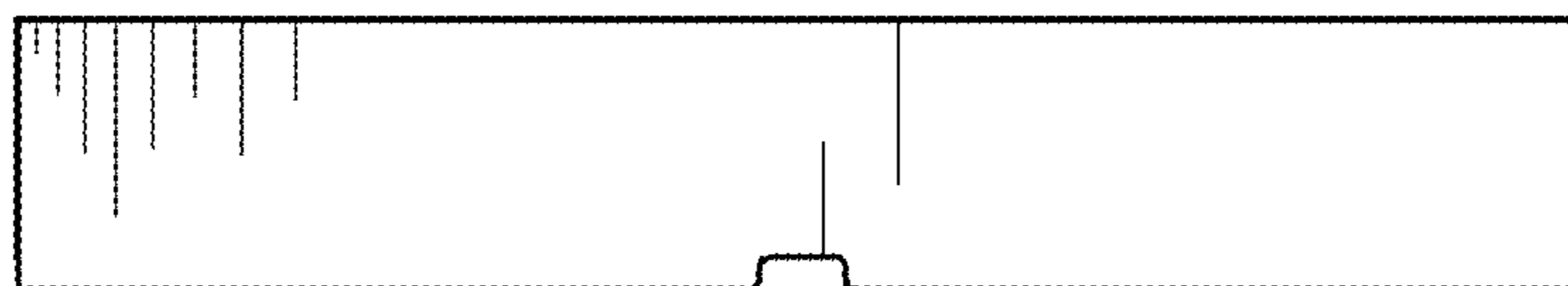


FIG. 6

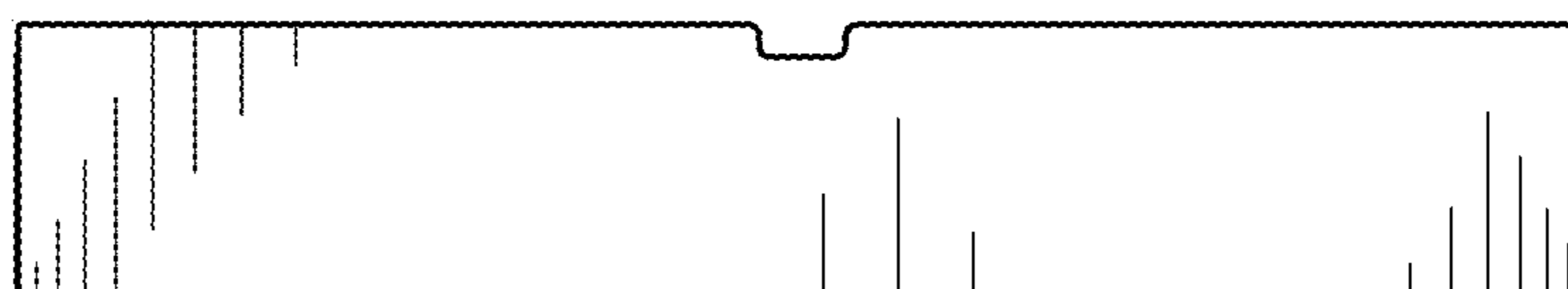


FIG. 7

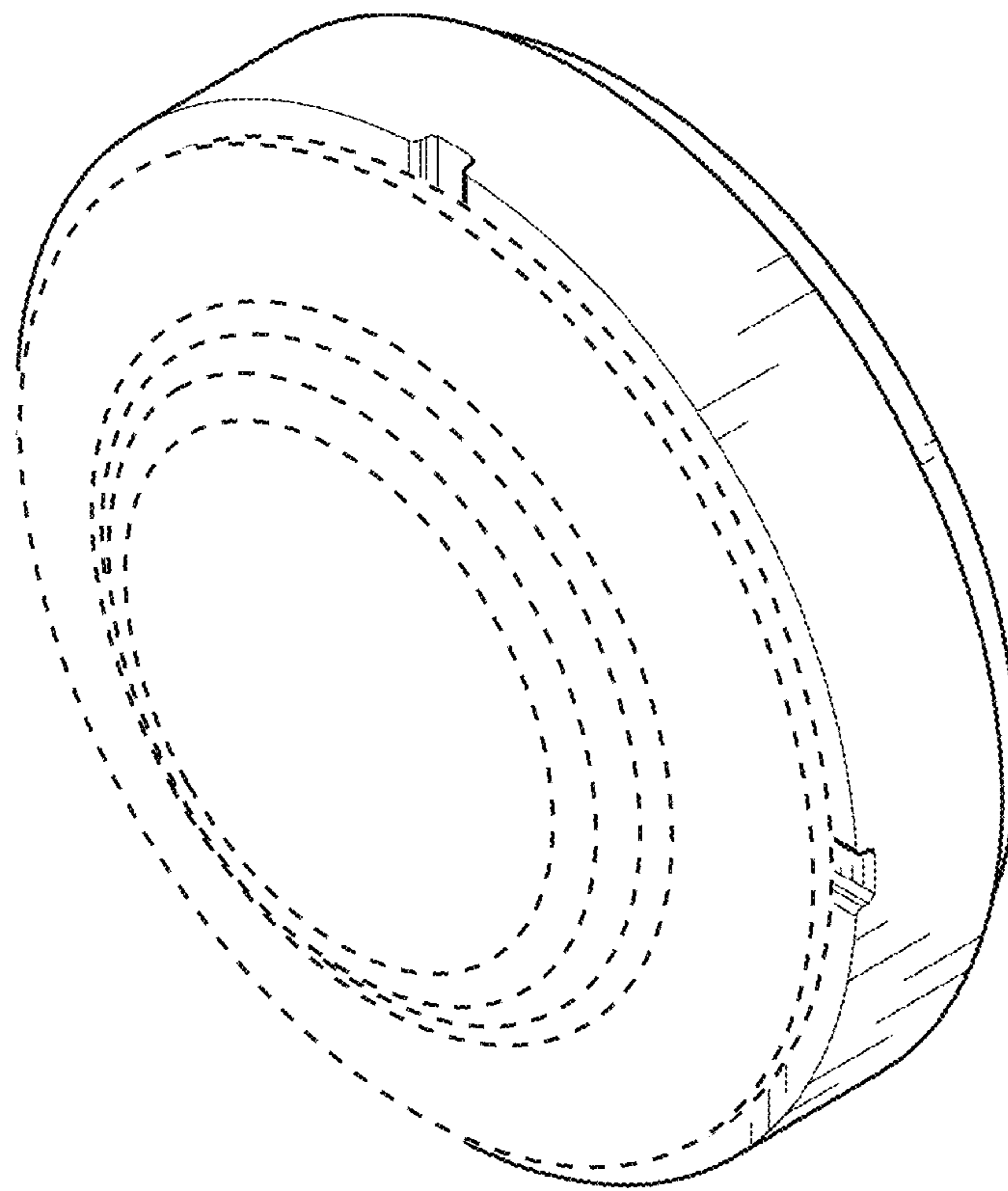


FIG.8