



US00D912012S

(12) **United States Design Patent** (10) **Patent No.:** **US D912,012 S**
Kitazawa (45) **Date of Patent:** **** Mar. 2, 2021**

(54) **SOUND DEVICE**

(71) Applicant: **Creative Technology Ltd**, Singapore (SG)

(72) Inventor: **Shintaro Kitazawa**, Singapore (SG)

(73) Assignee: **Creative Technology Ltd**, Singapore (SG)

(**) Term: **15 Years**

(21) Appl. No.: **29/696,962**

(22) Filed: **Jul. 2, 2019**

Related U.S. Application Data

(63) Continuation-in-part of application No. 29/696,960, filed on Jul. 2, 2019.

(51) **LOC (13) Cl.** **14-01**

(52) **U.S. Cl.**
USPC **D14/214**

(58) **Field of Classification Search**

USPC D14/167, 168, 170–172, 188, 194–196, D14/204, 209.1, 210–216, 219, 221, 222, D14/224, 239, 496

CPC B60R 11/0217; G06F 1/1688; G10K 9/22; G10K 11/004; H03F 1/327; H04M 1/03; H04M 1/035; H04N 5/642; H04N 21/4852; H04R 1/02; H04R 1/06; H04R 1/021; H04R 1/025; H04R 1/026; H04R 1/028; H04R 1/105; H04R 1/323; H04R 1/403; H04R 1/2803; H04R 1/2834; H04R 5/02; H04R 7/20; H04R 9/06; H04R 9/025; H04R 2201/021; H04R 2400/00; H04R 2201/07; H04R 2499/11; H04R 2499/13; H04R 2499/15; H04S 3/00; H04S 7/30

See application file for complete search history.

(56) **References Cited**

U.S. PATENT DOCUMENTS

D676,829 S *	2/2013	Kaneko	D14/209.1
D760,686 S *	7/2016	Seong	D14/204
D760,692 S *	7/2016	Seong	D14/214
D826,891 S *	8/2018	Kim	D14/204
D835,608 S *	12/2018	Kim	D14/215
D842,273 S *	3/2019	Kiong	D14/214
D861,640 S *	10/2019	Werle	D14/214
D869,439 S *	12/2019	Kim	D14/214
D898,700 S *	10/2020	Gomi	D14/204

* cited by examiner

Primary Examiner — Keli L Hill

(74) *Attorney, Agent, or Firm* — Russell Swerdon; Desmond Gean

(57) **CLAIM**

The ornamental design for a sound device, substantially as shown and described.

DESCRIPTION

FIG. 1 is a front perspective view of a sound device showing our new design;

FIG. 2 is a rear perspective view of the sound device in FIG. 1;

FIG. 3 is a front view thereof;

FIG. 4 is a rear view thereof;

FIG. 5 is a left side view thereof;

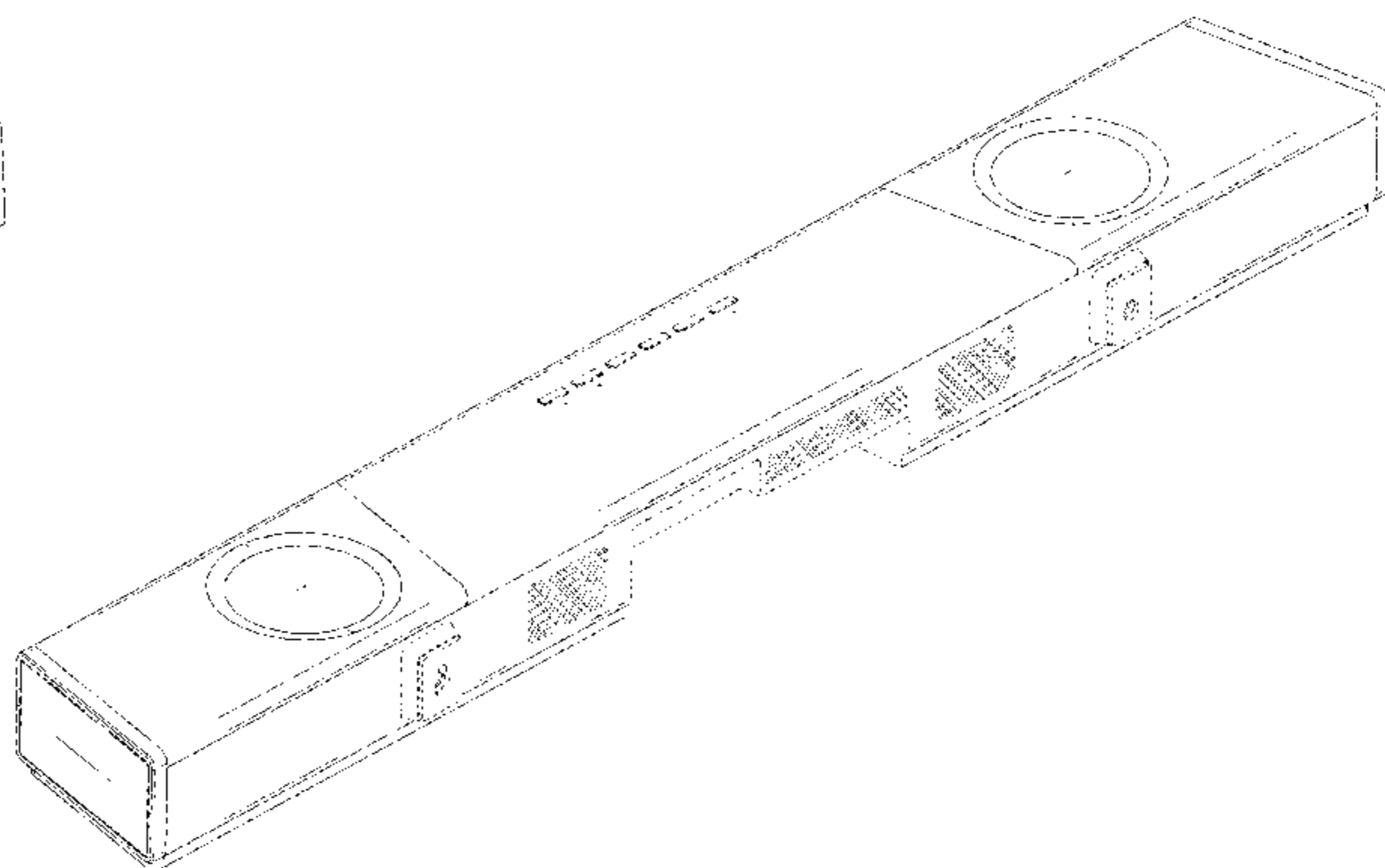
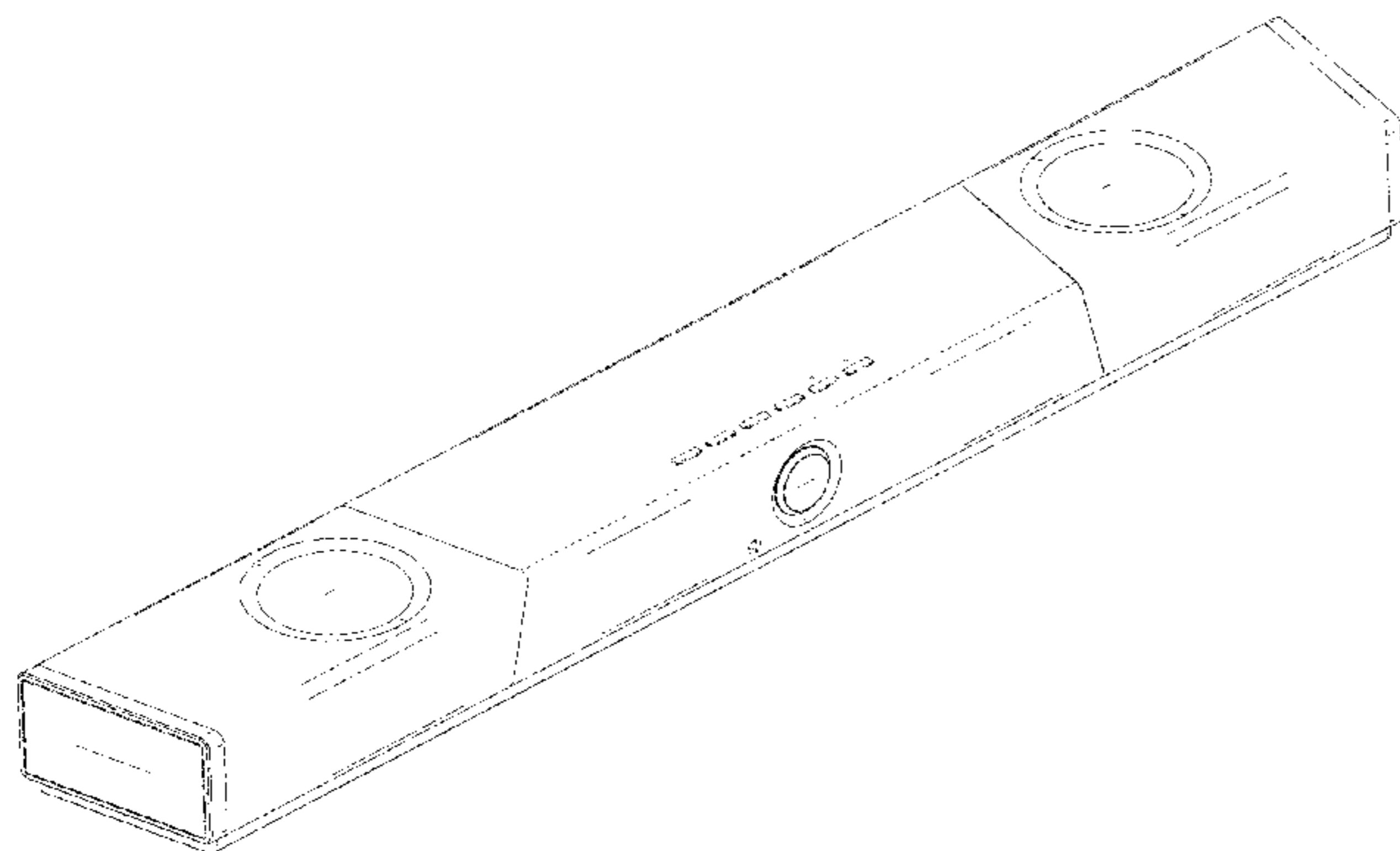
FIG. 6 is a right side view thereof;

FIG. 7 is a top view thereof; and,

FIG. 8 is a bottom view thereof.

The broken lines shown in the drawings depict the portions of the sound device that form no part of the claimed design.

1 Claim, 7 Drawing Sheets



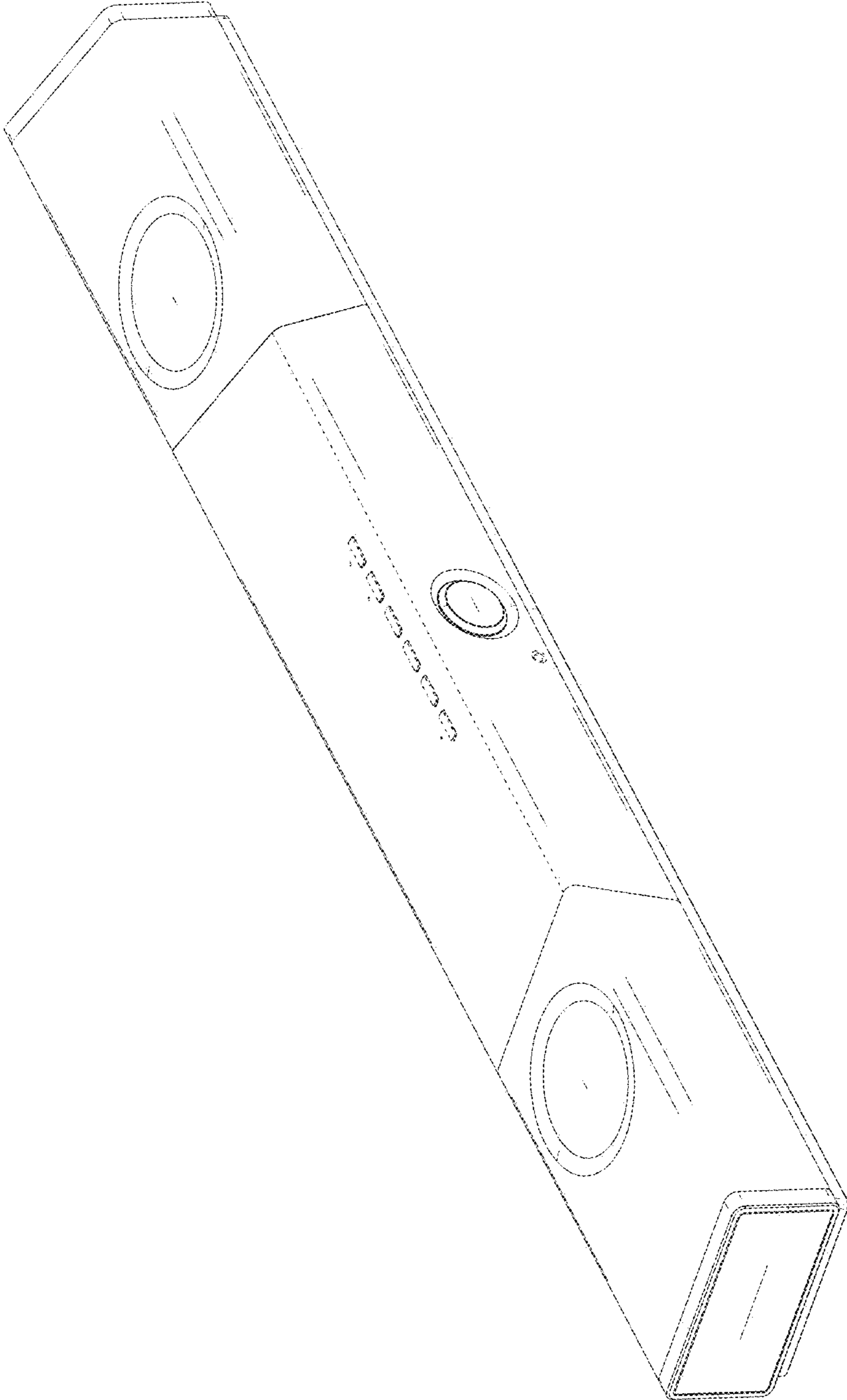


FIG. 1

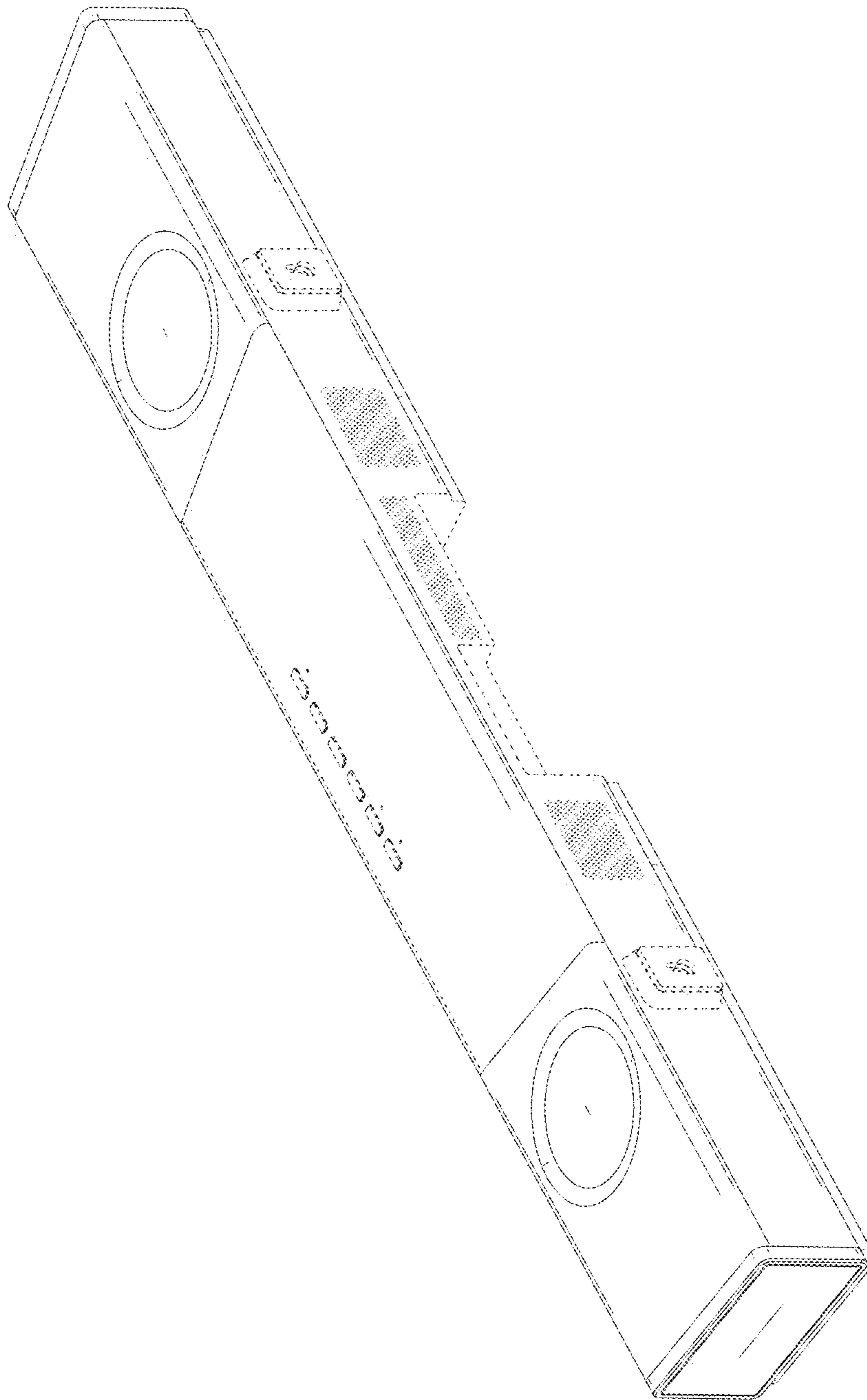


FIG. 2

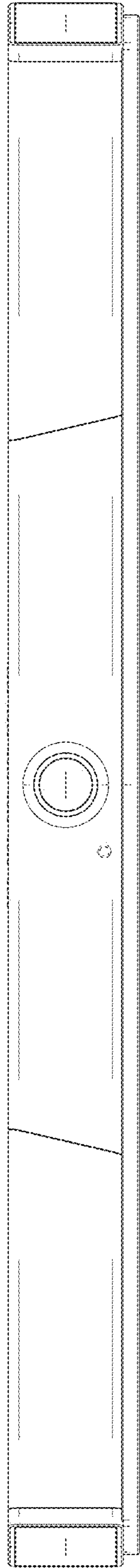


FIG. 3

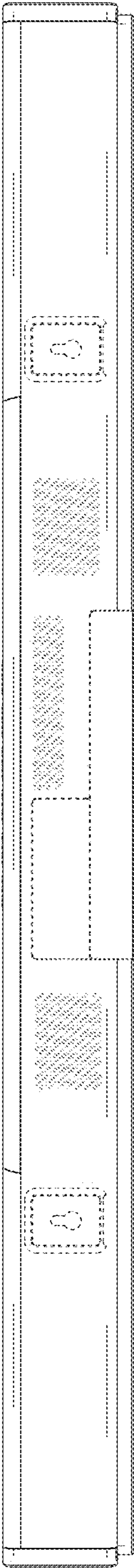


FIG. 4

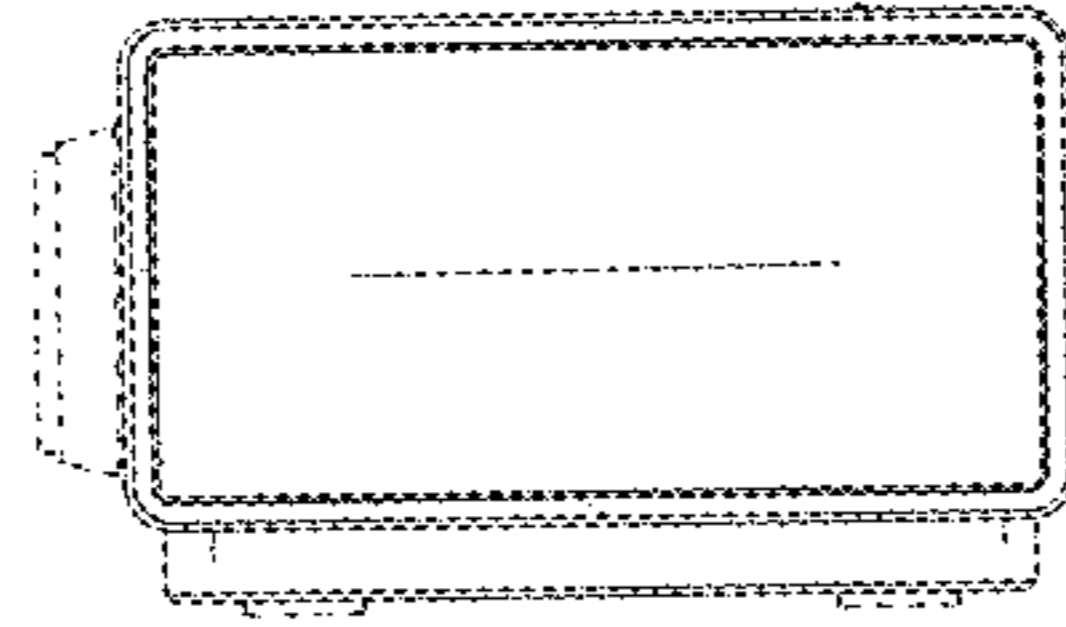


FIG. 5

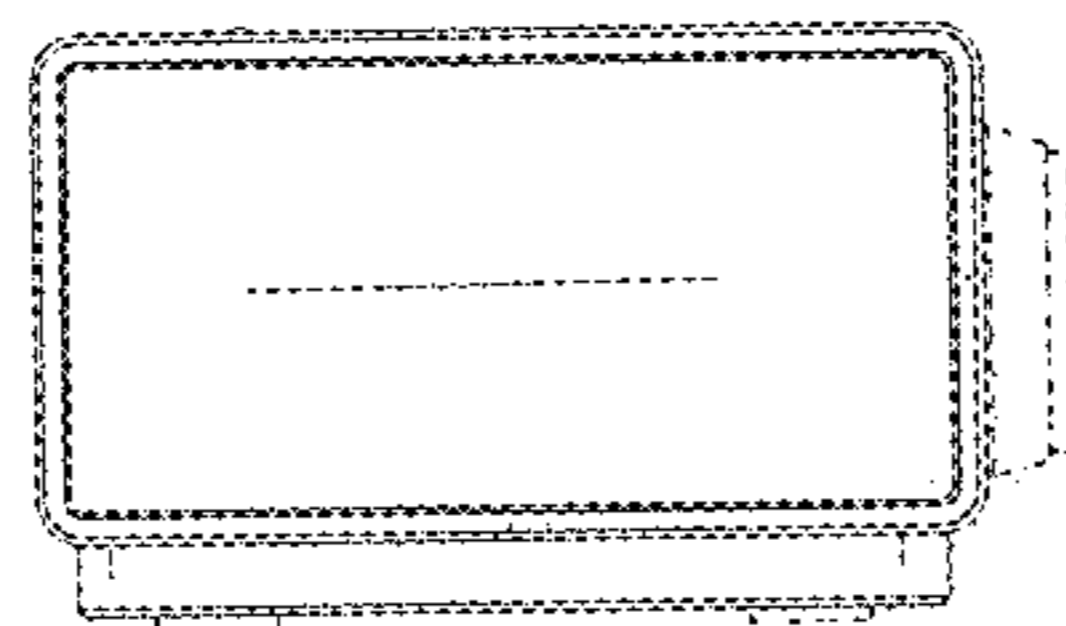


FIG. 6

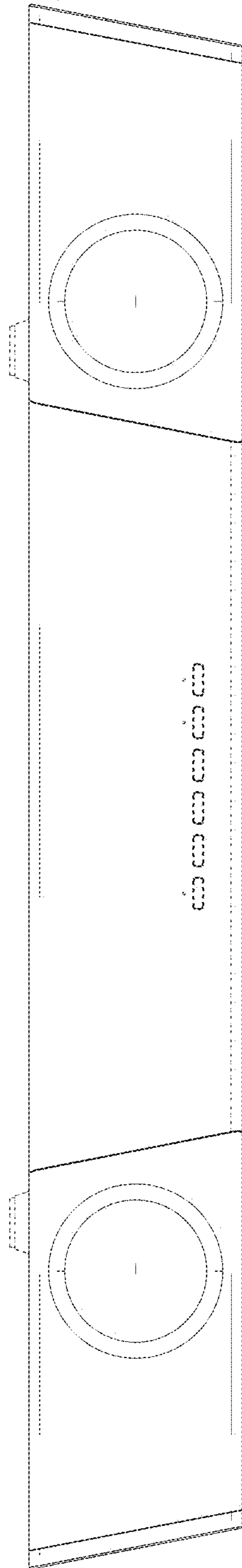


FIG. 7

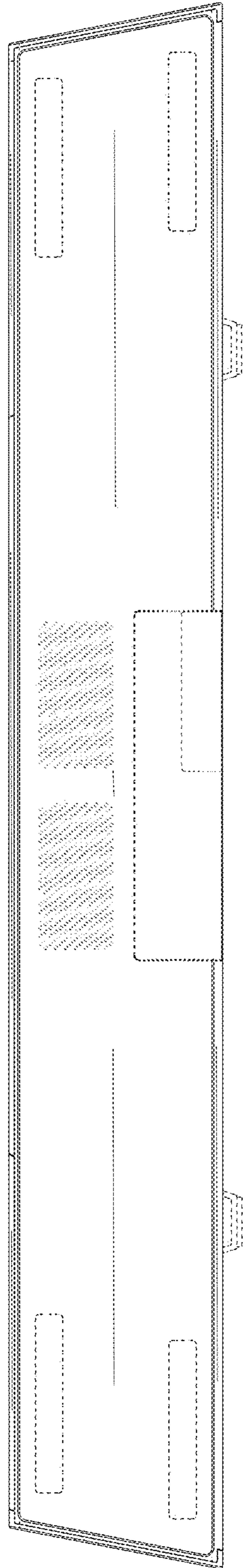


FIG. 8