



US00D912011S

(12) **United States Design Patent** (10) **Patent No.:** **US D912,011 S**
Zhao et al. (45) **Date of Patent:** **** Mar. 2, 2021**

(54) **BLUETOOTH EARPHONE**
(71) Applicant: **Beijing Xiaomi Mobile Software Co., Ltd., Beijing (CN)**
(72) Inventors: **Ziran Zhao, Beijing (CN); Lei Zhang, Beijing (CN); Yao Xi, Beijing (CN); Ningning Li, Beijing (CN)**
(73) Assignee: **Beijing Xiaomi Mobile Software Co., Ltd., Beijing (CN)**
(**) Term: **15 Years**
(21) Appl. No.: **35/508,065**
(22) Filed: **Apr. 29, 2019**

(80) **Hague Agreement Data**
Int. Filing Date: **Apr. 29, 2019**
Int. Reg. No.: **DM/204558**
Int. Reg. Date: **Apr. 29, 2019**
Int. Reg. Pub. Date: **Dec. 13, 2019**

(30) **Foreign Application Priority Data**
Oct. 31, 2018 (CN) 201830611932.9
(51) **LOC (13) Cl.** **14-01**
(52) **U.S. Cl.**
USPC **D14/205**
CPC **H04R 1/1041** (2013.01)
(58) **Field of Classification Search**
USPC D14/223, 205, 174; 381/380, 381, 322, 381/328; 455/90.3, 569.1, 575.1; 128/864-866
CPC H04R 1/10; H04R 25/00; H04R 1/1016; H04R 1/1066; H04R 5/033; H04R 5/0335; H04R 25/02
See application file for complete search history.

(56) **References Cited**
U.S. PATENT DOCUMENTS
D470,129 S * 2/2003 Hlas D14/205
D543,968 S * 6/2007 Wong D14/205

D593,075 S * 5/2009 Williams D14/223
D601,126 S * 9/2009 Christopher D14/206
7,775,354 B2 8/2010 Latchford et al.
D639,787 S * 6/2011 Quek D14/223
D666,581 S * 9/2012 Perez D14/223
D695,275 S * 12/2013 Chee D14/223
D710,335 S * 8/2014 Yang D14/223
D713,385 S * 9/2014 Burgett D14/223
D719,132 S * 12/2014 Toelle D14/205
D733,101 S * 6/2015 Pi D14/223
D777,710 S * 1/2017 Palmborg D14/223
D780,157 S * 2/2017 Uggla D14/205
D795,225 S * 8/2017 Sumii D14/223
D806,388 S 1/2018 Akana et al.
D809,486 S * 2/2018 Arimoto D14/223
D809,487 S * 2/2018 Lee D14/223
D813,205 S * 3/2018 Palmborg D14/223

(Continued)

OTHER PUBLICATIONS

The International Design System, Office Action Issued in registration No. DM/204616, dated Oct. 24, 2019, 3 pages.
(Continued)

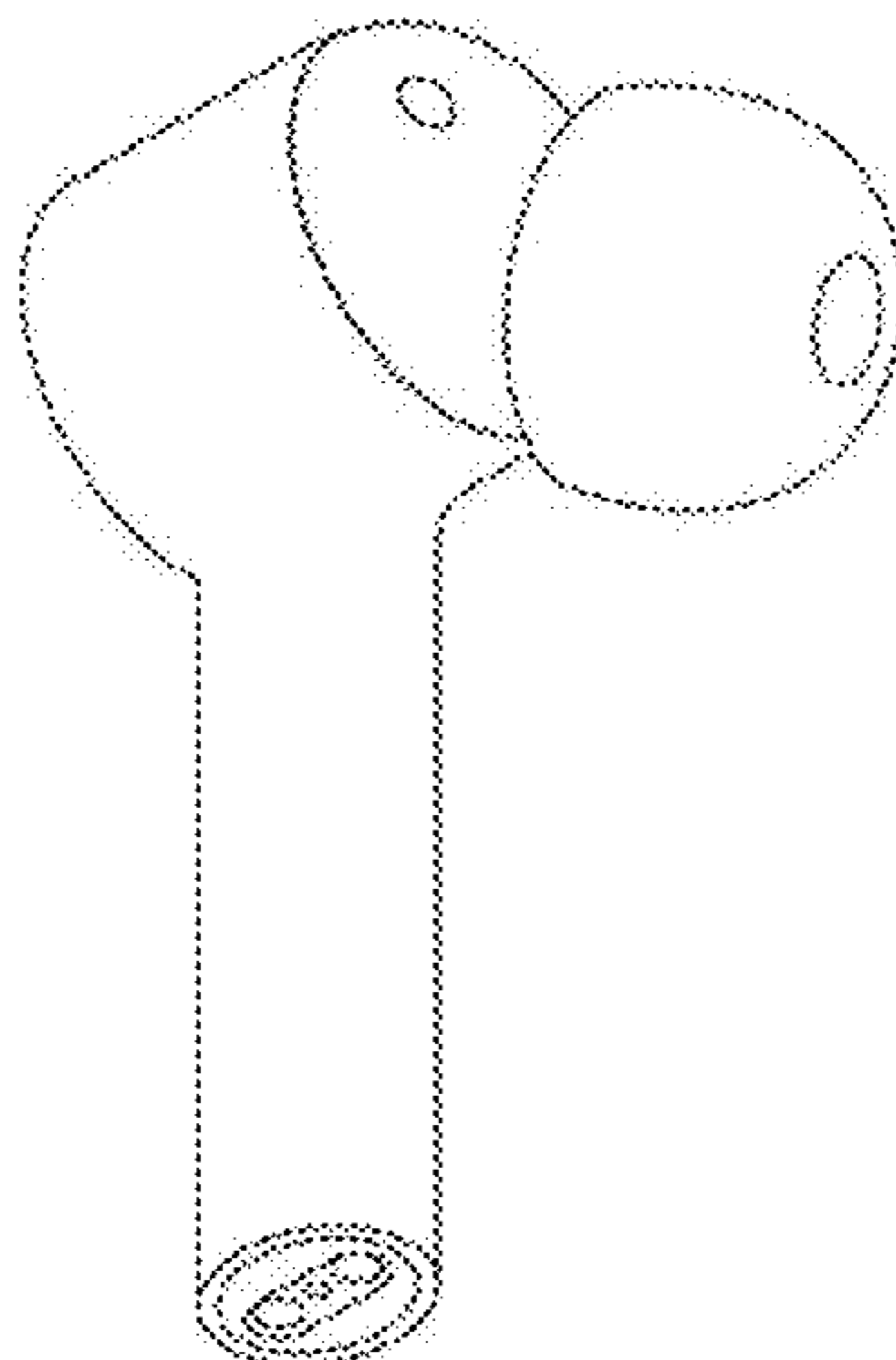
Primary Examiner — Richard E Chilcot
(74) *Attorney, Agent, or Firm* — Syncoda LLC; Feng Ma

(57) **CLAIM**
The ornamental design for a bluetooth earphone, as shown and described.

DESCRIPTION

- 1. Bluetooth earphone
- 1.1 : Front
- 1.2 : Back
- 1.3 : Left
- 1.4 : Right
- 1.5 : Top
- 1.6 : Bottom
- 1.7 : Perspective view 1
- 1.8 : Perspective view 2

1 Claim, 8 Drawing Sheets



(56)

References Cited

U.S. PATENT DOCUMENTS

D823,246 S 7/2018 Lin
 D825,534 S * 8/2018 Kim D14/223
 D826,152 S 8/2018 Christiansen
 D849,401 S 5/2019 Akana et al.
 D849,714 S * 5/2019 Shin D14/205
 D851,626 S * 6/2019 Hsieh D14/205
 D862,422 S * 10/2019 Lindenberger D14/223
 D863,261 S * 10/2019 Zhu D14/223
 D867,326 S * 11/2019 Sweet D14/205
 D870,451 S 12/2019 Birger
 D870,710 S * 12/2019 Cai D14/223
 D872,063 S * 1/2020 Arimoto D14/223
 D872,064 S * 1/2020 Cai D14/223
 D872,065 S * 1/2020 Cai D14/223
 D873,217 S 1/2020 Zhang
 D873,248 S * 1/2020 Weicheng D14/223
 D875,710 S * 2/2020 Bailey D14/205
 D878,045 S 3/2020 Akana et al.
 D878,048 S 3/2020 Wang et al.
 D881,572 S 4/2020 Wang et al.
 D881,810 S 4/2020 Zhang
 D882,394 S 4/2020 Griffin et al.
 D883,197 S 5/2020 Doucet
 D883,296 S 5/2020 Lee
 10,659,864 B2 5/2020 Lo et al.
 10,664,042 B2 5/2020 Jiang
 D886,453 S 6/2020 Wright et al.
 D888,662 S 6/2020 Cramer et al.
 D888,664 S 6/2020 Ma
 D889,395 S 7/2020 Birkholz et al.
 D890,091 S 7/2020 Cramer et al.
 D890,725 S 7/2020 Liu
 D890,726 S * 7/2020 Park D14/223

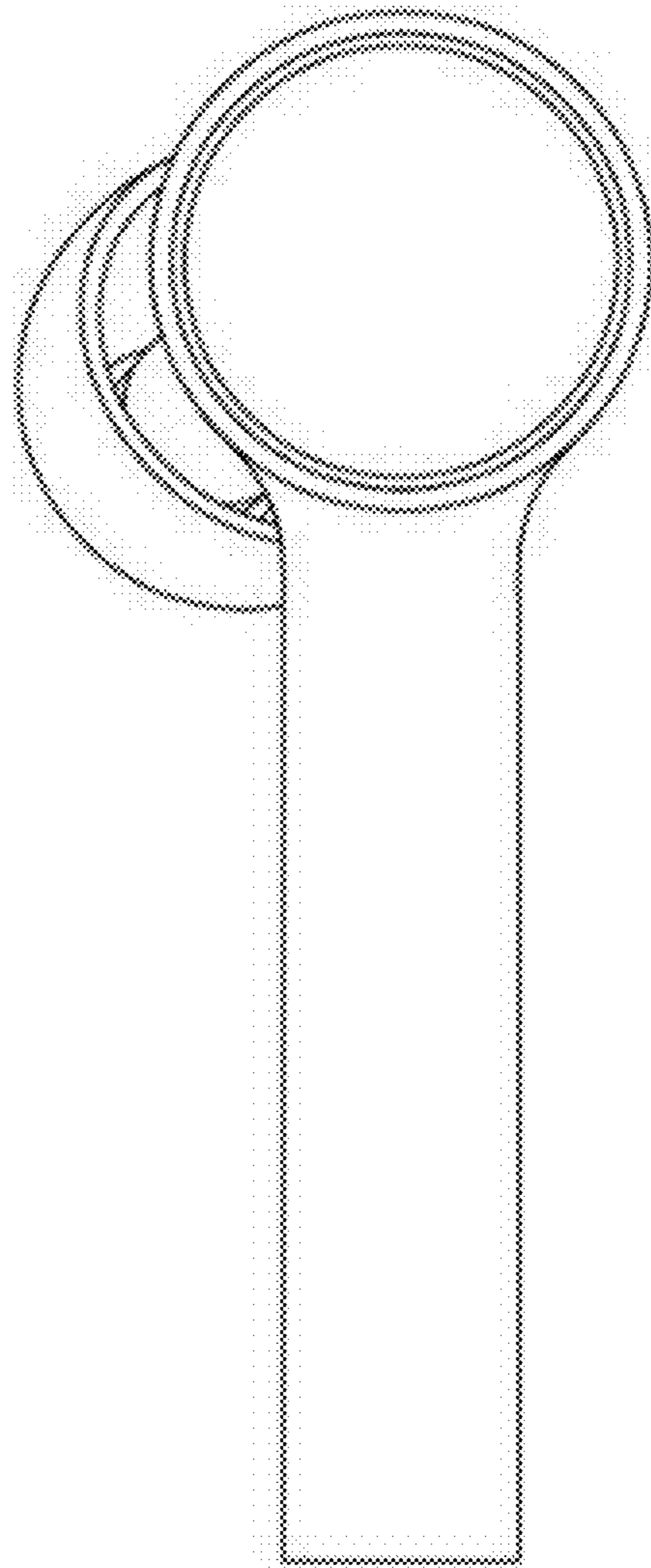
D890,727 S * 7/2020 Park D14/223
 D891,434 S 7/2020 Lee et al.
 D891,771 S 8/2020 Lee et al.
 D892,498 S 8/2020 Wright et al.
 D893,166 S 8/2020 Lu
 D893,184 S 8/2020 Liu
 D893,185 S 8/2020 Liu
 D895,579 S 9/2020 Yang
 D895,580 S * 9/2020 Yu D14/223
 D897,291 S 9/2020 Akana et al.
 D897,664 S 10/2020 Li
 D897,678 S 10/2020 Koh
 D897,997 S 10/2020 Zhang
 D898,664 S 10/2020 Bhutani
 D898,667 S 10/2020 Liu
 D901,072 S 11/2020 Goradesky
 2009/0285434 A1 * 11/2009 Williams H04R 1/1091
 381/375
 2014/0205125 A1 * 7/2014 Triato H04R 1/1066
 381/330
 2017/0094399 A1 3/2017 Chandramohan et al.
 2019/0014403 A1 * 1/2019 Lee H04R 1/1016
 2019/0069066 A1 2/2019 Song et al.

OTHER PUBLICATIONS

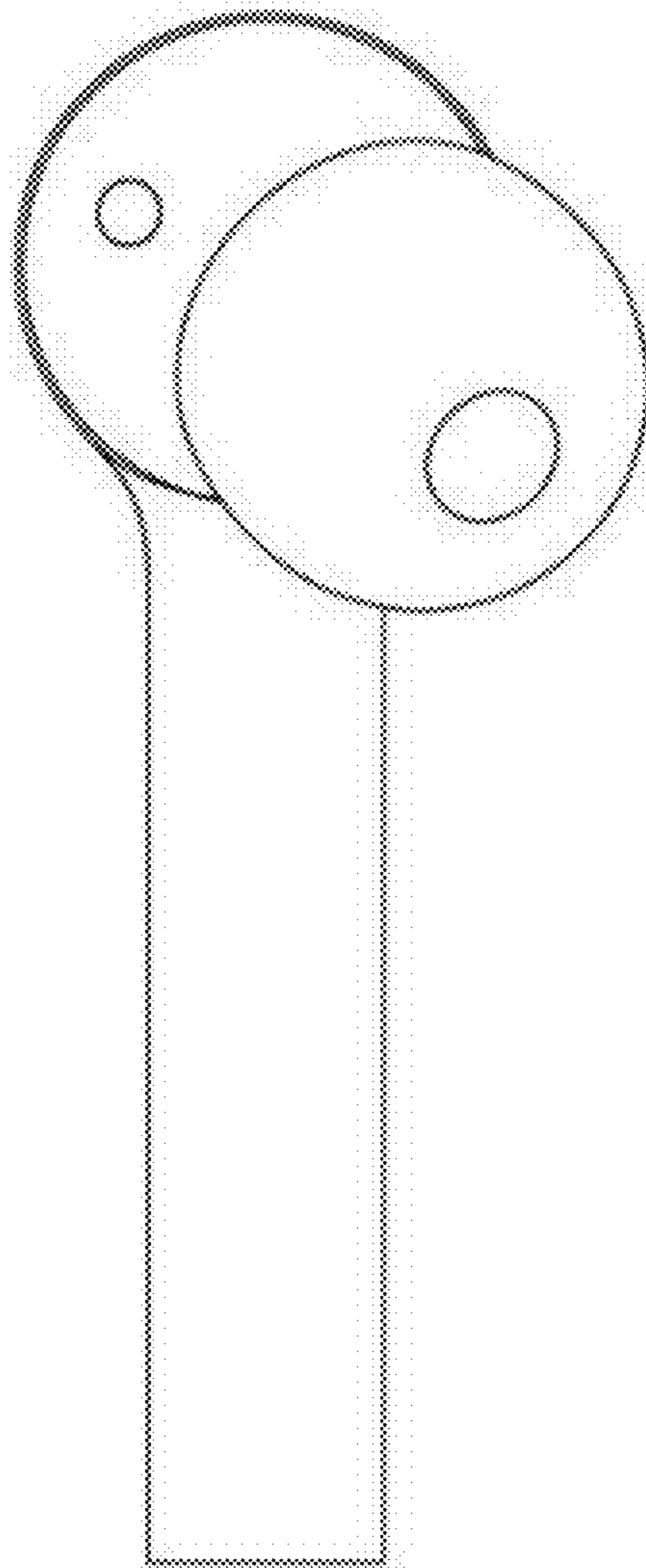
Office Action issued in corresponding Indian Design Application No. 317308-001 dated May 31, 2019, 11 pages.
 State Intellectual Property Office of the People's Republic of China, Office Action and Search Report Issued in Application No. 2018306119329, dated May 27, 2019, 3 pages. (Submitted with English Translation).
 United States Patent and Trademark Office, Office Action Issued in U.S. Appl. No. 35/508,051, dated Nov. 16, 2020, 19 pages.

* cited by examiner

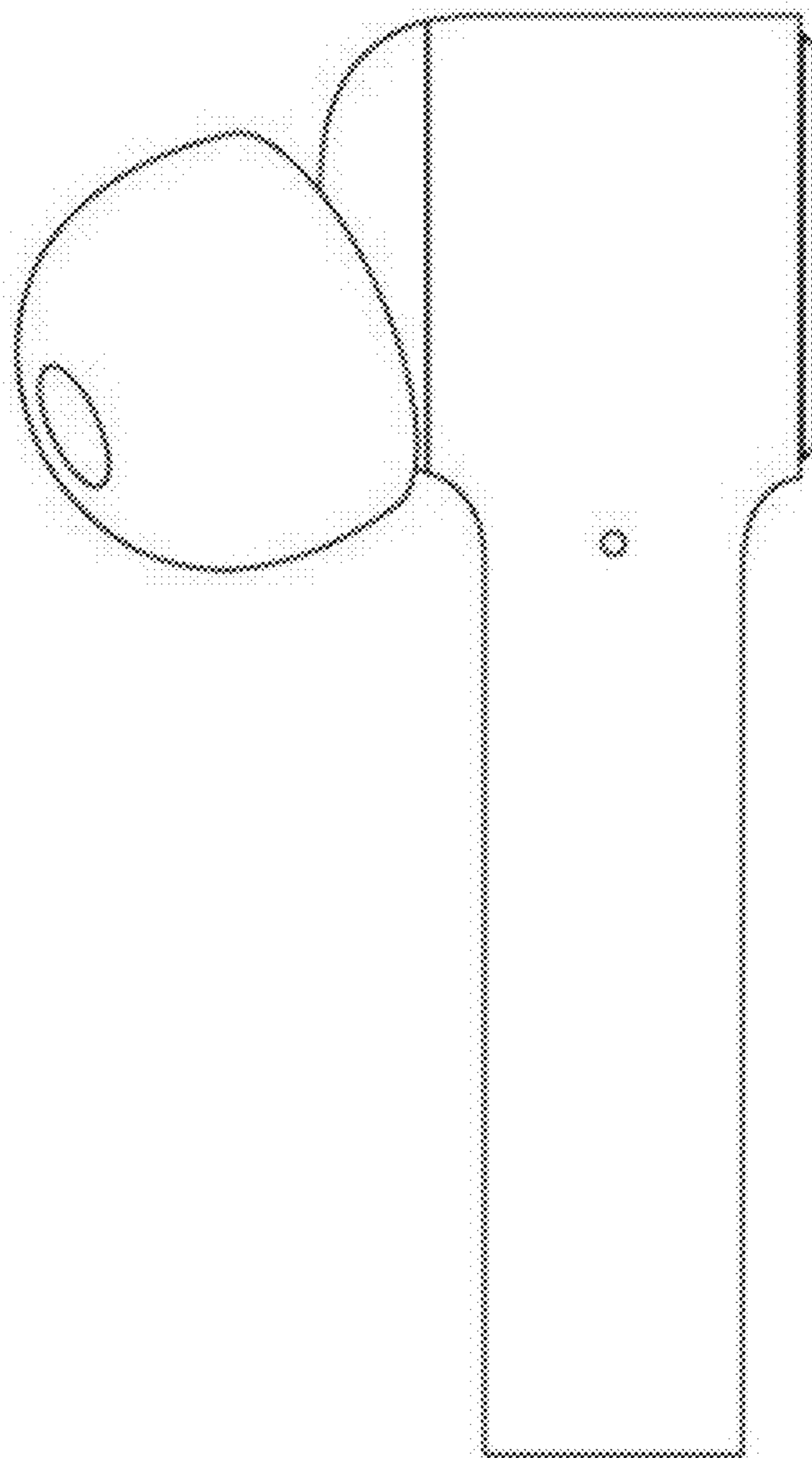
1.1



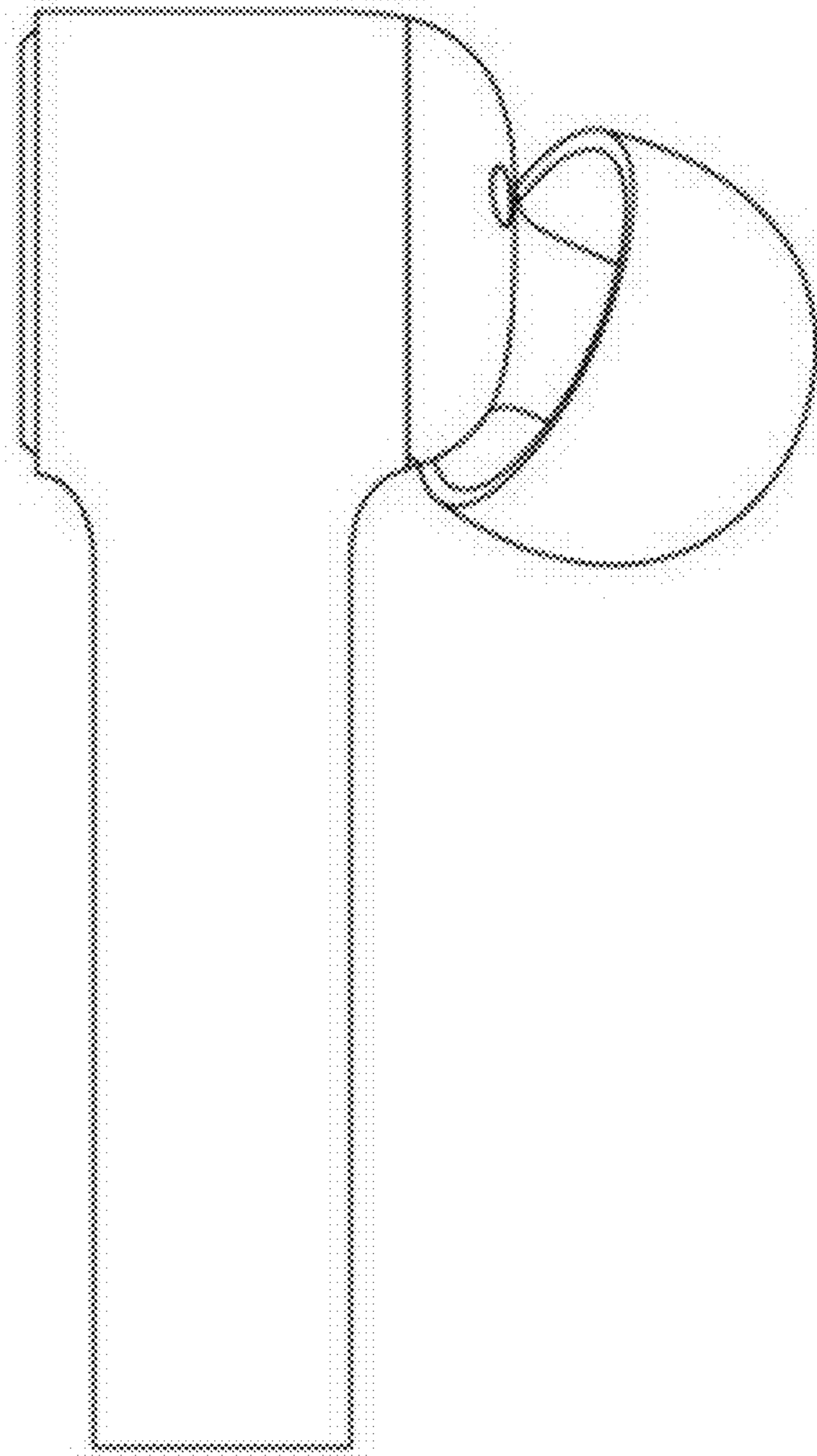
1.2



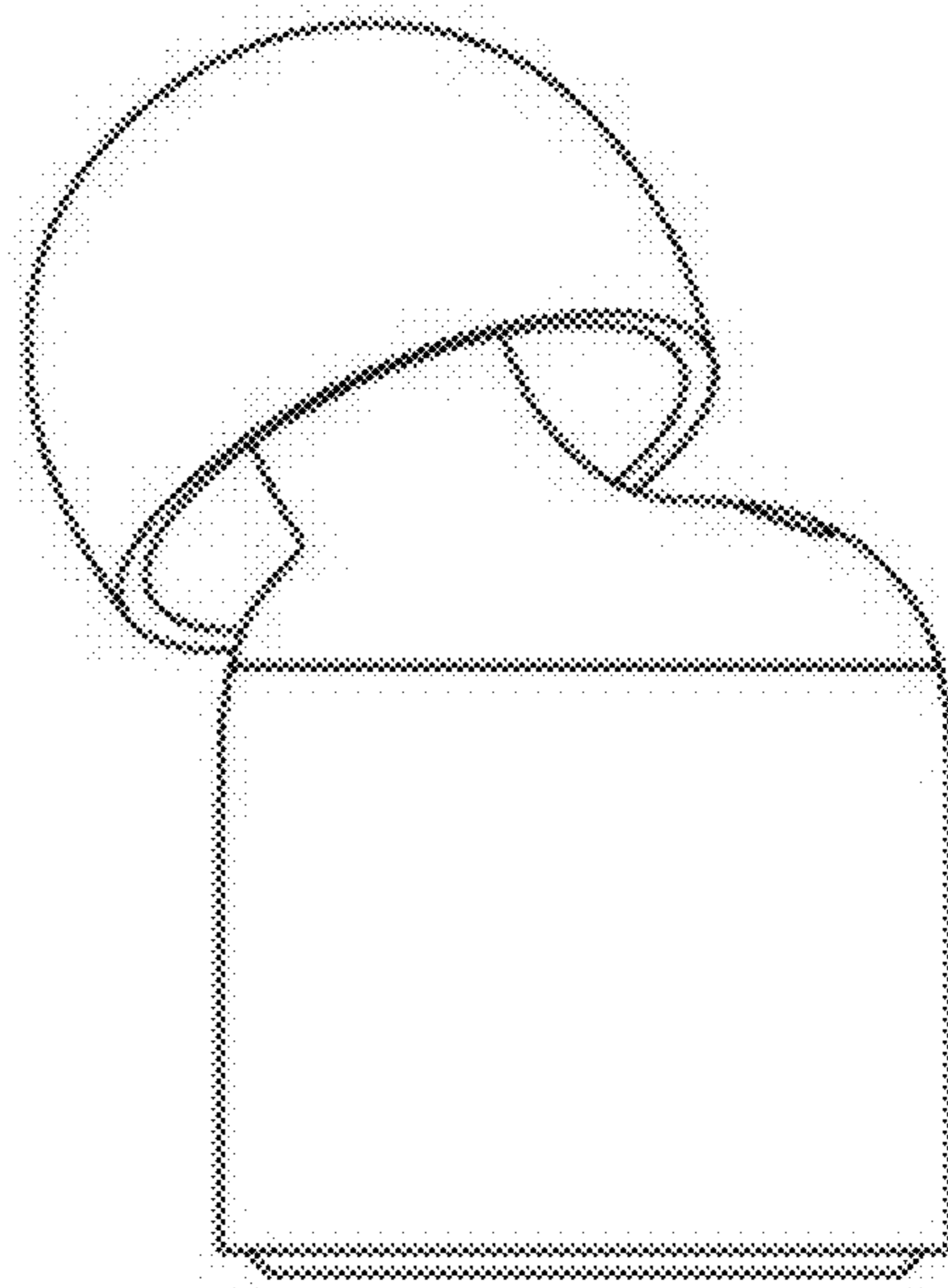
1.3



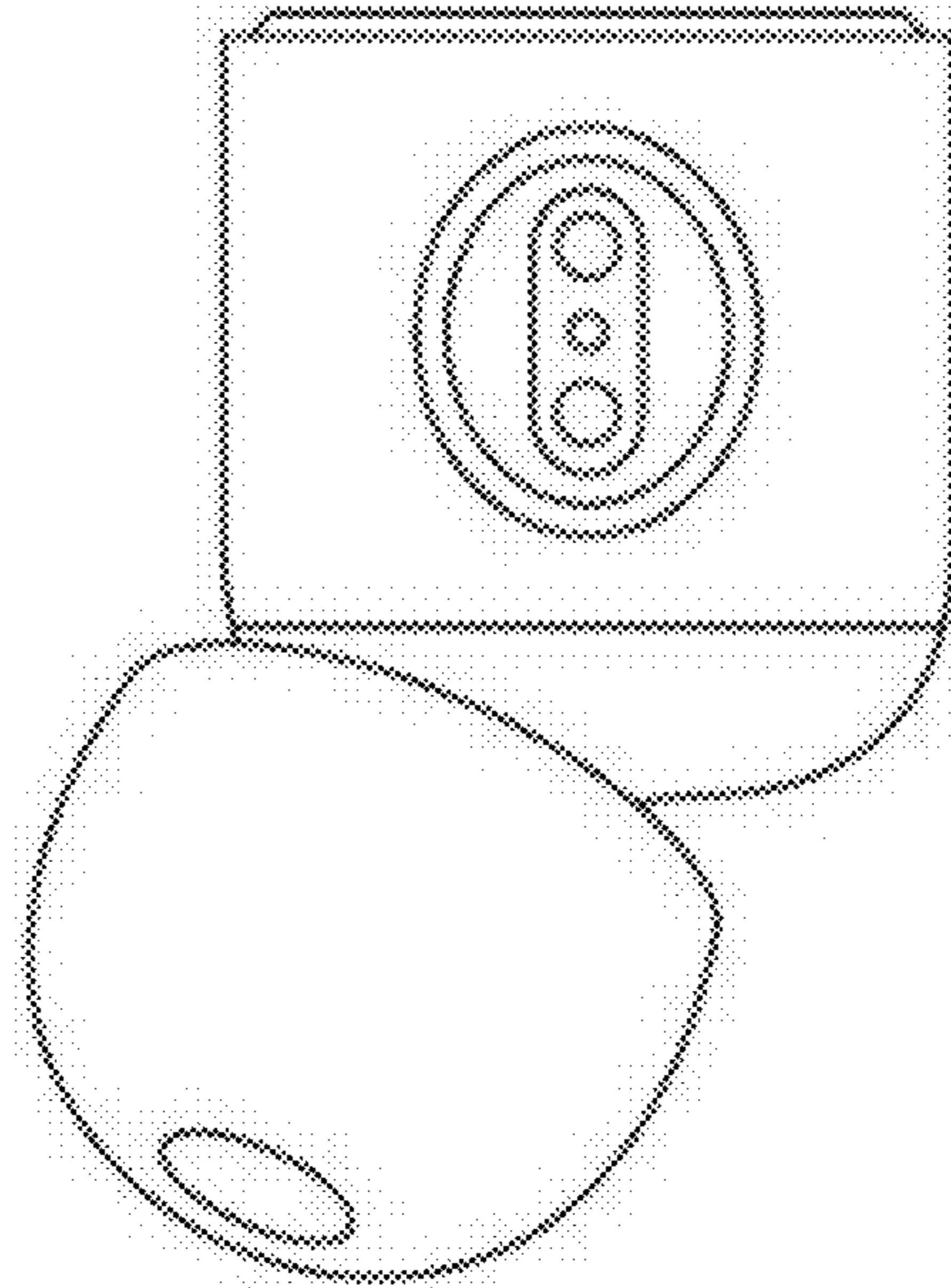
1.4



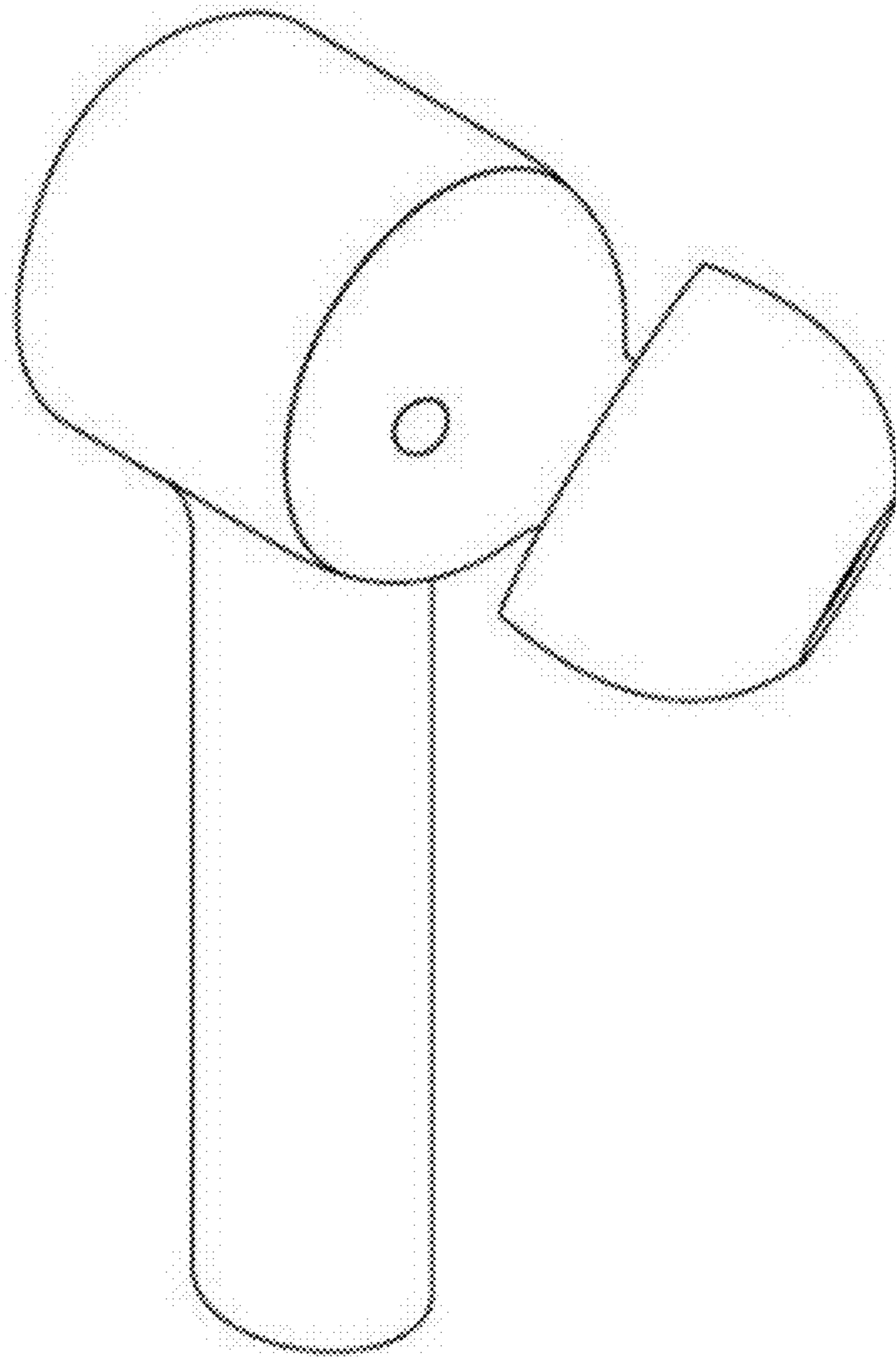
1.5



1.6



1.7



1.8

