



US00D912008S

(12) **United States Design Patent**  
**Zeng**

(10) **Patent No.:** **US D912,008 S**

(45) **Date of Patent:** **\*\* Mar. 2, 2021**

(54) **COMBINED FM RADIO AND WIRELESS SPEAKER**

(71) Applicant: **Shenzhen Airmart Technology Co., Ltd**, Guangdong (CN)

(72) Inventor: **Dejun Zeng**, Guangdong (CN)

(73) Assignee: **Shenzhen Airmart Technology Co., Ltd**, Shenzhen (CN)

(\*\*) Term: **15 Years**

(21) Appl. No.: **29/688,869**

(22) Filed: **Apr. 25, 2019**

(51) **LOC (13) Cl.** ..... **14-03**

(52) **U.S. Cl.**  
USPC ..... **D14/197**; D14/168; D14/216

(58) **Field of Classification Search**  
USPC ..... D14/167, 168, 170–172, 188, 194–196, D14/204, 209.1, 210–216, 219, 221, 222, D14/224, 239, 496, 197, 198  
CPC ..... B60R 11/0217; G06F 1/1688; G10K 9/22; G10K 11/004; H03F 1/327; H04M 1/03; H04M 1/035; H04N 5/642; H04N 21/4852; H04R 1/02; H04R 1/06; H04R 1/021; H04R 1/025; H04R 1/026; H04R 1/028; H04R 1/105; H04R 1/323; H04R 1/403; H04R 1/2803; H04R 1/2834; H04R 5/02; H04R 7/20; H04R 9/06; H04R 9/025; H04R 2201/021; H04R 2400/00; H04R 2400/07; H04R 2499/11; H04R 2499/13; H04R 2499/15; H04S 3/00; H04S 7/30

See application file for complete search history.

(56) **References Cited**

U.S. PATENT DOCUMENTS

D389,483 S *	1/1998	Christie	.....	D14/214
D407,405 S *	3/1999	Chiu	.....	D14/194
D816,058 S *	4/2018	Zeng	.....	D14/155
D845,267 S *	4/2019	Zeng	.....	D14/194
D851,056 S *	6/2019	Zeng	.....	D14/188
D884,665 S *	5/2020	Zeng	.....	D14/193

\* cited by examiner

*Primary Examiner* — Keli L Hill

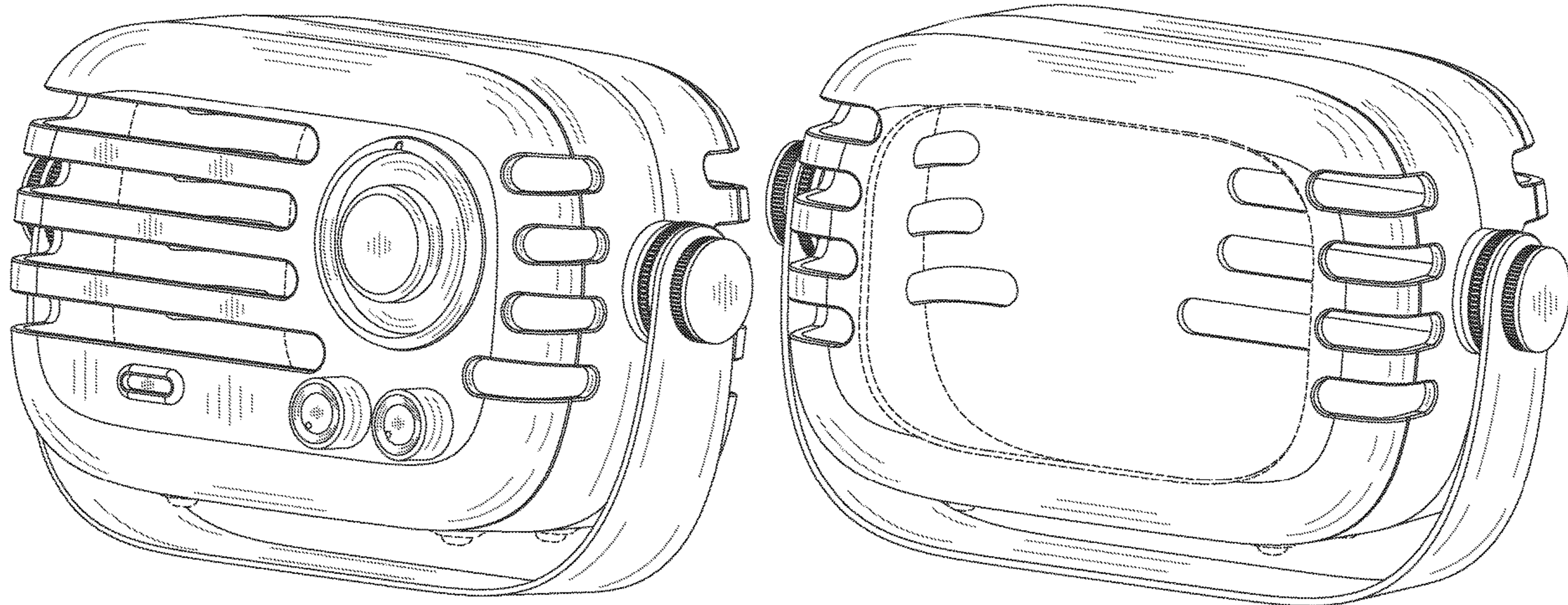
(57) **CLAIM**

The ornamental design for a combined FM radio and wireless speaker, as shown and described.

**DESCRIPTION**

FIG. 1 is a top, front and right side perspective view of a combined FM radio and wireless speaker, showing my new design;  
FIG. 2 is a top, front and left side perspective view thereof;  
FIG. 3 is an enlarged view of portion 3 seen in FIG. 2;  
FIG. 4 is a top, rear and right side perspective view thereof;  
and,  
FIG. 5 is a top, rear and left side perspective view thereof.  
The broken lines encircling a portion of the claimed design in FIG. 2 are used to illustrate enlargement while all other broken lines are included for the purpose of illustrating portions of the combined FM radio and wireless speaker; the broken lines form no part of the claimed design.

**1 Claim, 5 Drawing Sheets**



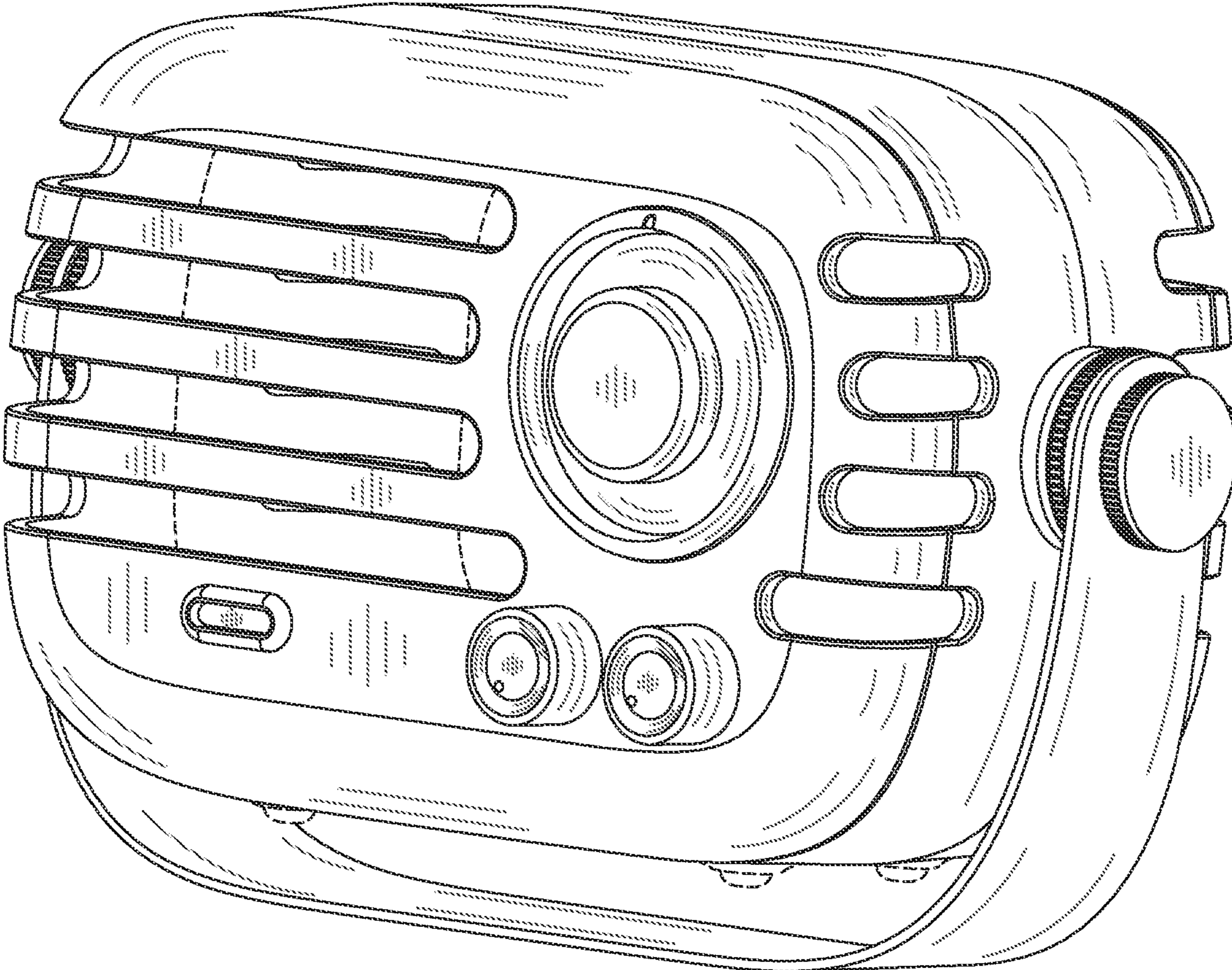


Fig.1

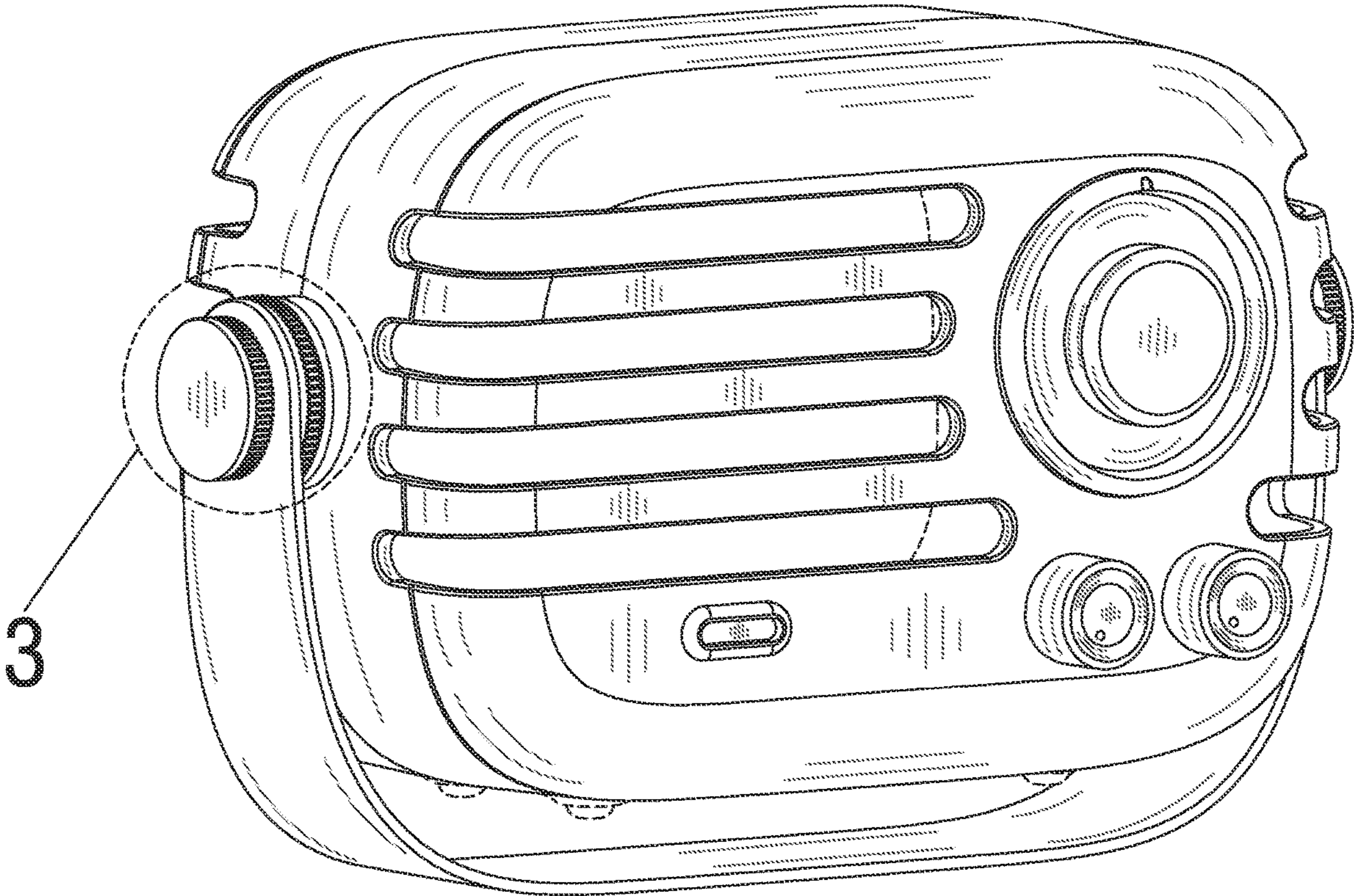


Fig.2

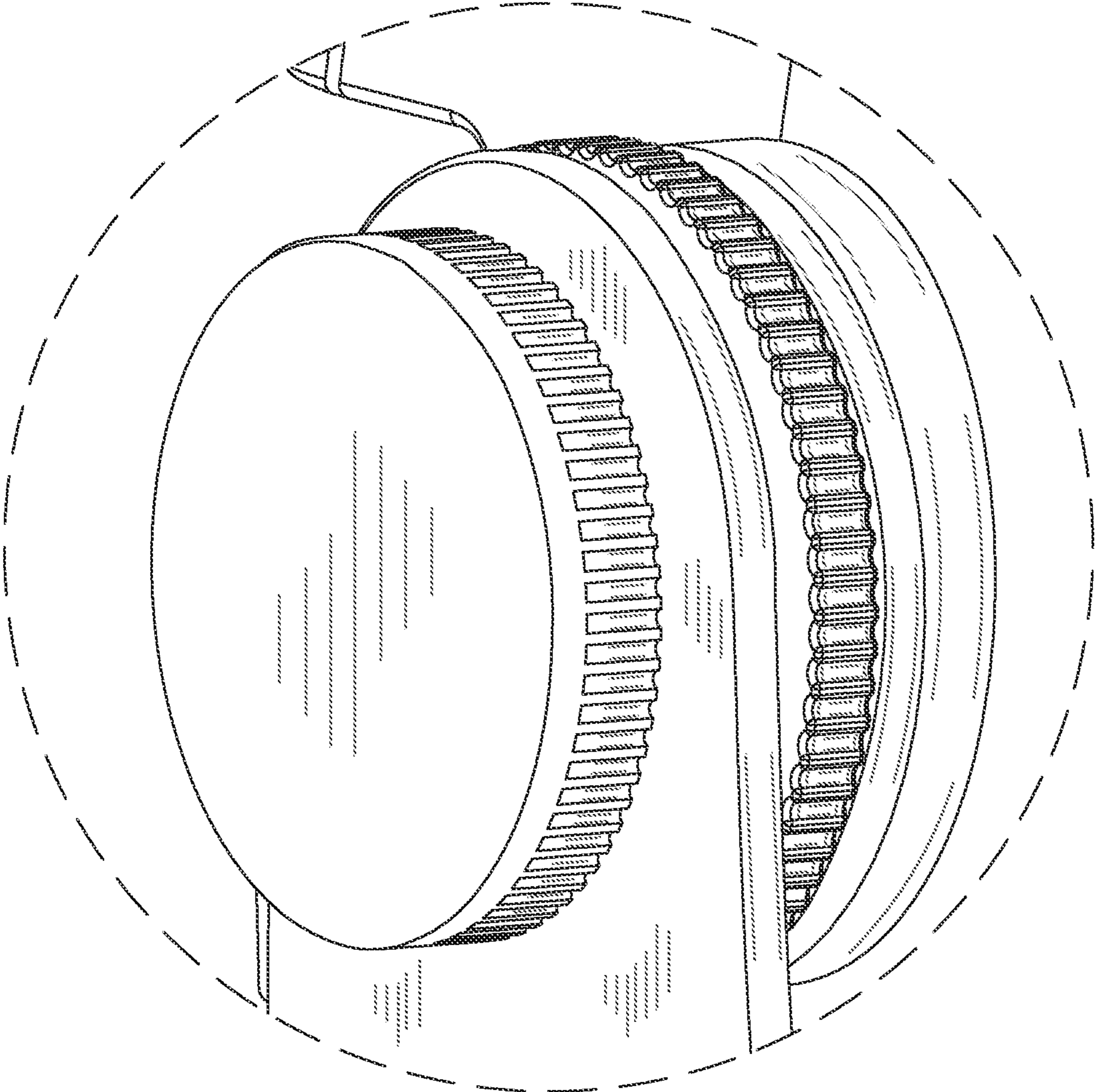


Fig.3

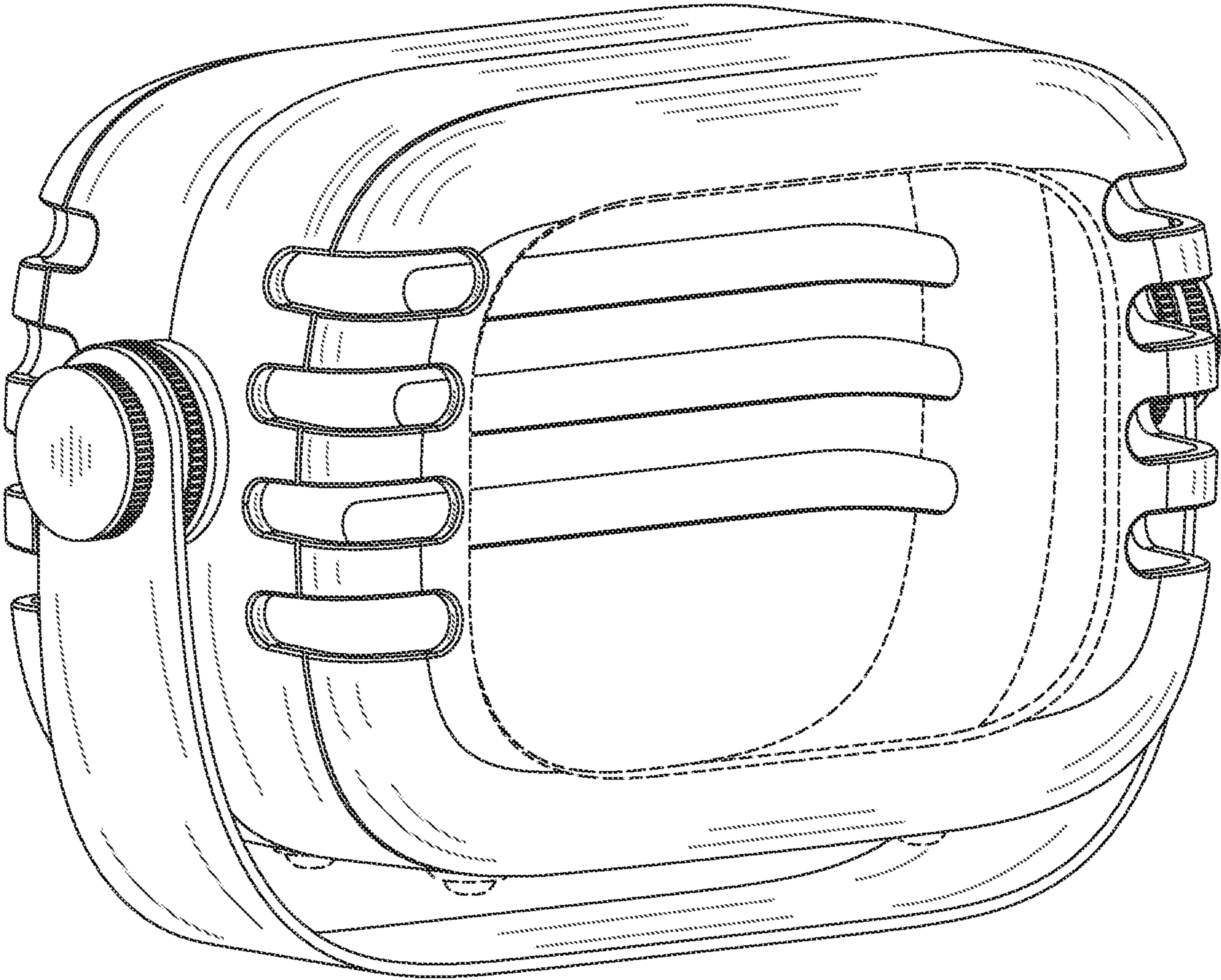


Fig.4

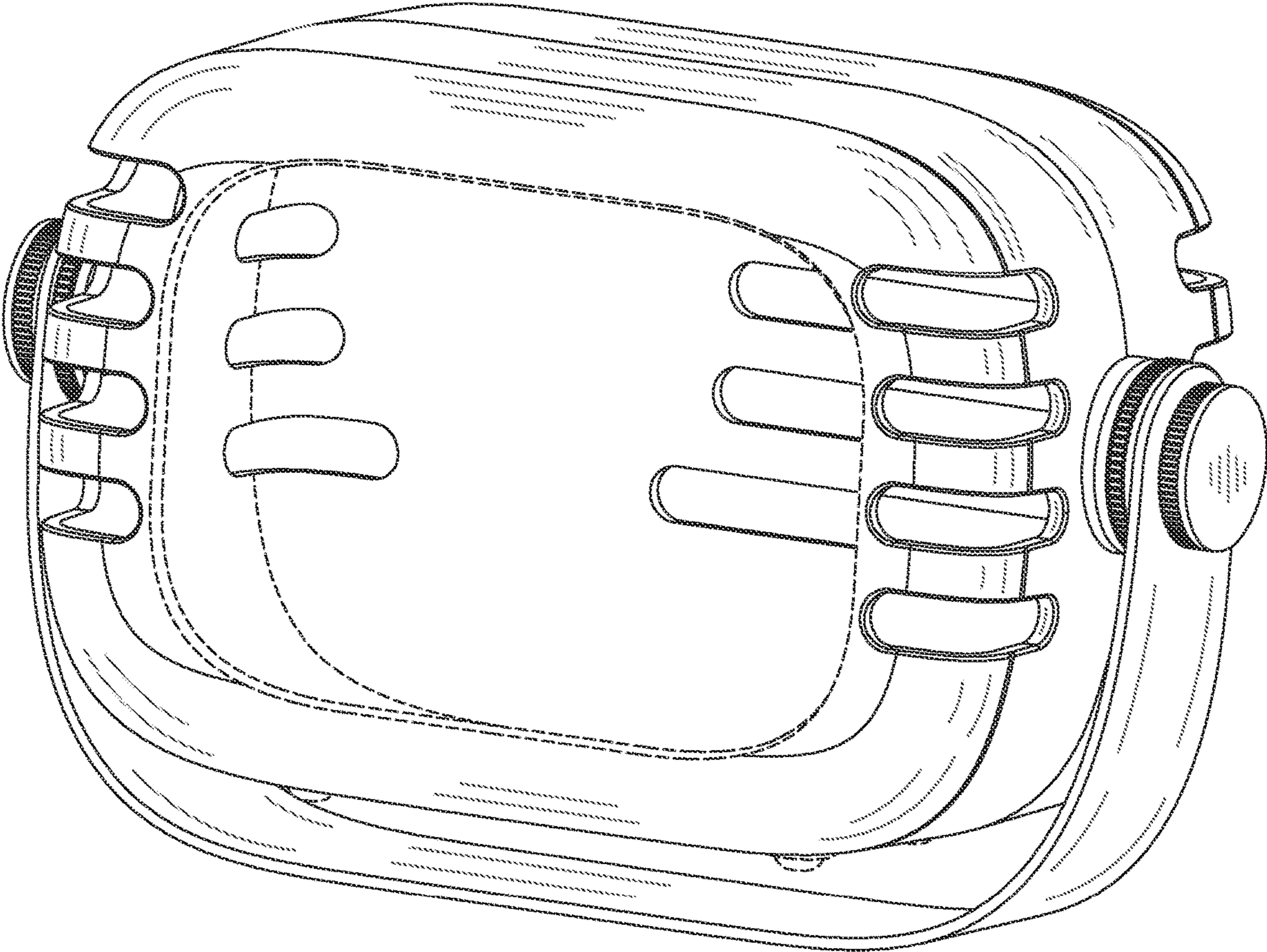


Fig.5