



US00D911993S

(12) **United States Design Patent** (10) **Patent No.:** **US D911,993 S**
Kim et al. (45) **Date of Patent:** **** Mar. 2, 2021**

(54) **TELEVISION RECEIVER**

(71) Applicant: **LG Electronics Inc.**, Seoul (KR)
(72) Inventors: **Yooseok Kim**, Seoul (KR); **Yongseok Kim**, Seoul (KR); **Yuonui Chong**, Seoul (KR); **Misun Park**, Seoul (KR); **Minji Seo**, Seoul (KR)
(73) Assignee: **LG ELECTRONICS INC.**, Seoul (KR)
(**) Term: **15 Years**

(21) Appl. No.: **35/507,371**
(22) Filed: **Mar. 6, 2019**

(80) **Hague Agreement Data**

Int. Filing Date: **Mar. 6, 2019**
Int. Reg. No.: **DM/201224**
Int. Reg. Date: **Mar. 6, 2019**
Int. Reg. Pub. Date: **Sep. 6, 2019**

(30) **Foreign Application Priority Data**

Sep. 6, 2018 (KR) 30-2018-0041602

(51) **LOC (13) Cl.** **14-03**

(52) **U.S. Cl.**
USPC **D14/126**

(58) **Field of Classification Search**
USPC D14/125-134, 217, 307, 314-317, D14/334-336, 339-341, 371, 373-377,
(Continued)

(56) **References Cited**

U.S. PATENT DOCUMENTS

D528,111 S * 9/2006 Jackson, Jr. D14/341
D547,740 S * 7/2007 Otani D14/126
(Continued)

OTHER PUBLICATIONS

CES 2020 coolest TV concepts, Jan. 10, 2020, [online], [site visited Jun. 19, 2020]. Retrieved from url:https://www.businessinsider.com/ces-2020-coolest-tv-concepts-sony-lg-samsung-2020-1 (Year: 2020).*

Primary Examiner — Michelle E. Wilson
Assistant Examiner — Tracey J Bell
(74) *Attorney, Agent, or Firm* — Birch, Stewart, Kolasch & Birch, LLP

(57) **CLAIM**

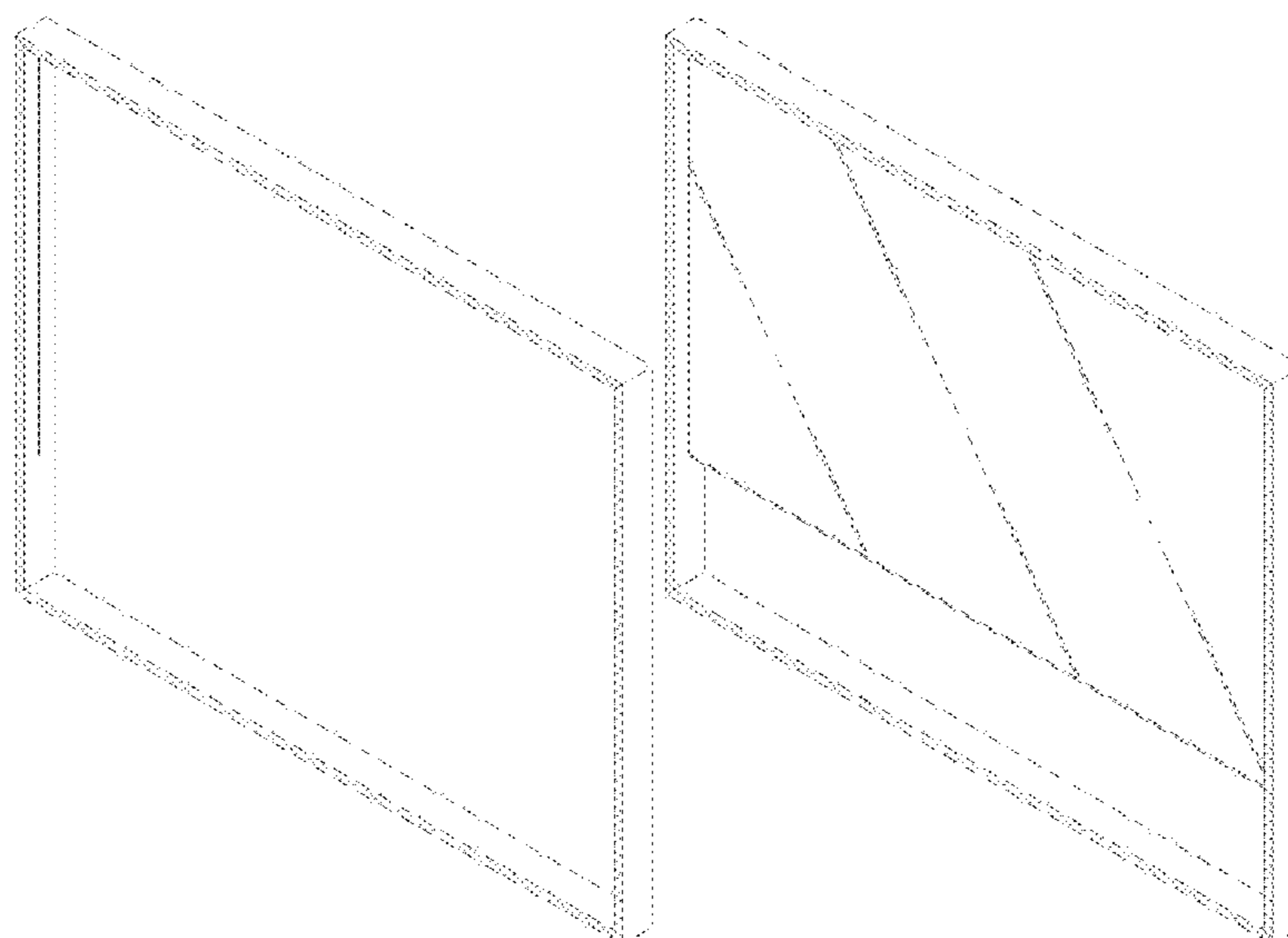
The ornamental design for a television receiver, as shown and described.

DESCRIPTION

- 1. Television receiver
- 1.1 : Perspective
- 1.2 : Front
- 1.3 : Back
- 1.4 : Left
- 1.5 : Top
- 1.6 : Perspective view 2
- 1.7 : Perspective view 3
- 1.8 : Front view 2
- 1.9 : Back view 2
- 1.10 : Left view 2
- 1.11 : Top view 2

The fine oblique lines on the drawings indicate the display portion of the television receiver; reproductions 1.1 to 1.5 are the front perspective, front, back, left and top views of the television receiver where the right and bottom views are mirror images of the left and top views; reproduction 1.6 is a perspective view showing the television receiver with the hidden display in partially extended state; reproductions 1.7 to 1.11 are the front perspective, front, back, left and top views in condition where the hidden display has been slid downwards completely; the right and bottom views are mirror images of the left and top views.

1 Claim, 11 Drawing Sheets



(58) **Field of Classification Search**

USPC D14/448, 450, 130, 138 AD, 138 R,
D14/138 AB; D16/241; D20/19;
D21/329, 332, 515; D6/300
CPC G06F 1/16; G06F 1/1601; G06F 1/1637;
G06F 1/1652; H04N 5/64; H05K 5/0204;
H05K 5/0017; H05K 5/0217; H04M
1/0268

See application file for complete search history.

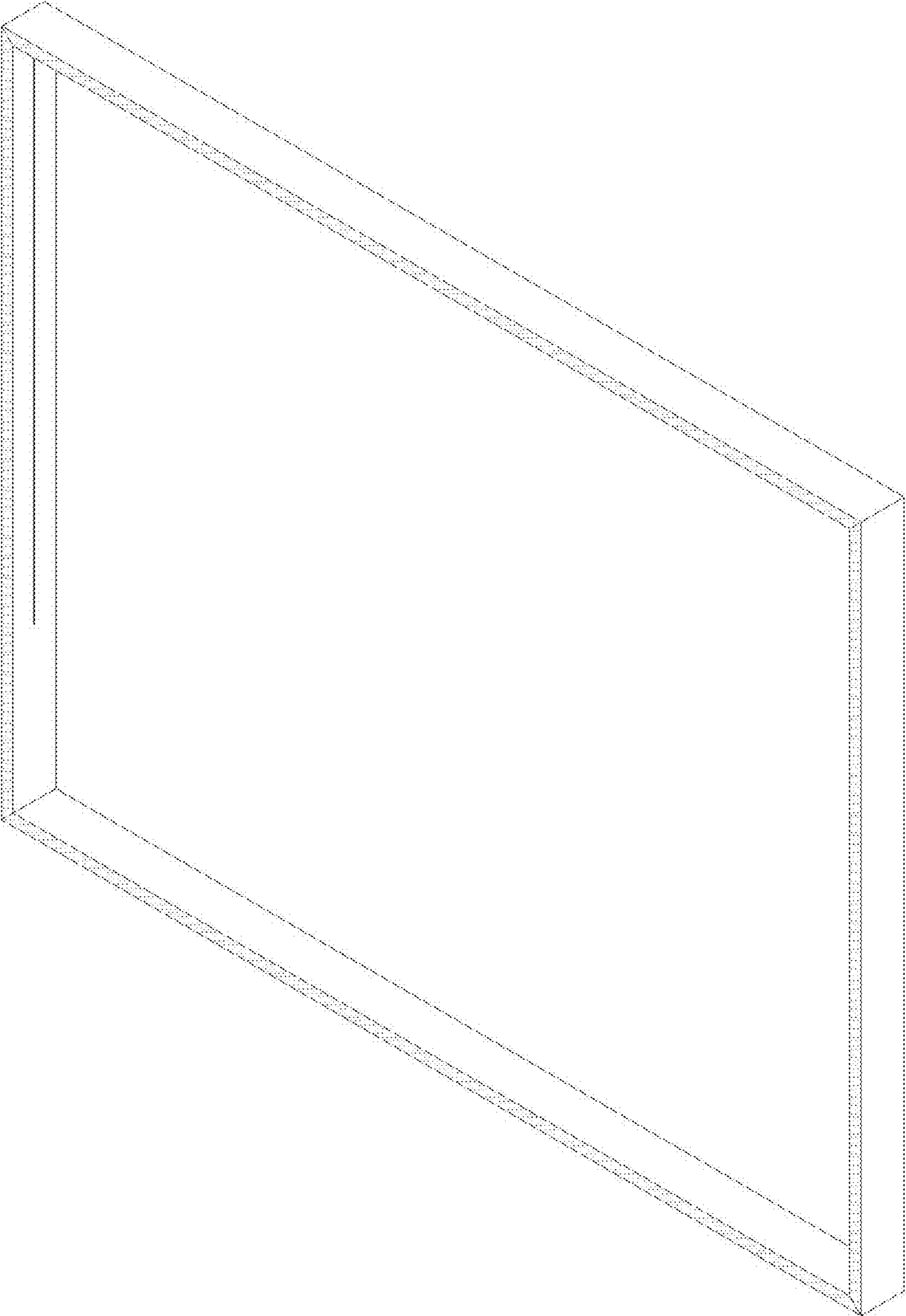
(56) **References Cited**

U.S. PATENT DOCUMENTS

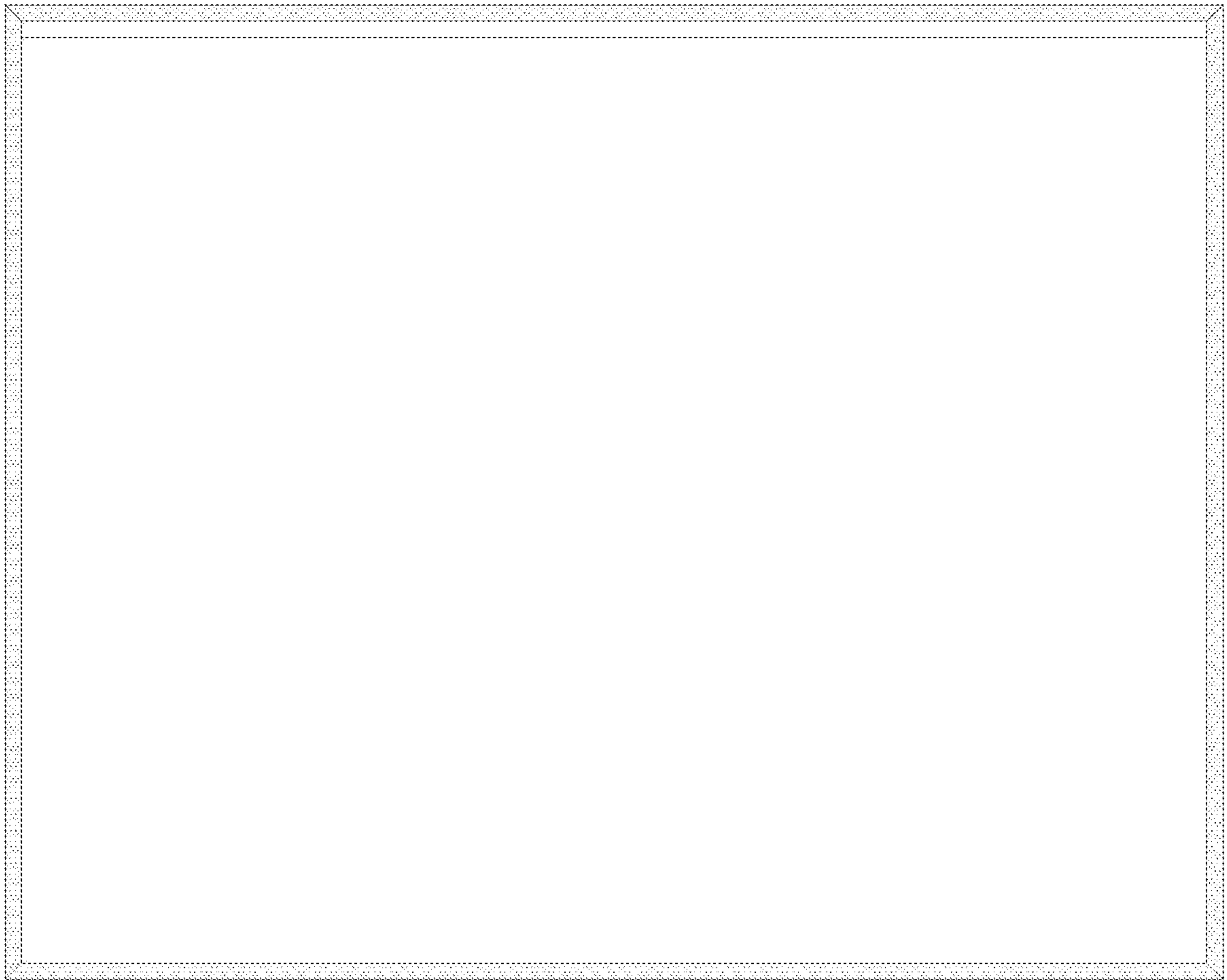
D699,205	S	*	2/2014	Kim	D14/126
D699,231	S	*	2/2014	Kim	D14/239
D717,257	S	*	11/2014	Kim	D14/126
D719,120	S	*	12/2014	Park	D14/126
D725,058	S	*	3/2015	Kim	D14/126
D725,619	S	*	3/2015	Choi	D14/126
D735,728	S	*	8/2015	Kim	D14/451
D738,332	S	*	9/2015	Kim	D14/126
D738,378	S	*	9/2015	Kim	D14/451
D761,221	S	*	7/2016	Kim	D14/126
D826,878	S	*	8/2018	Kim	D14/126
D873,816	S	*	1/2020	Wu	D14/315
D887,409	S	*	6/2020	Chu	D14/376
2008/0158796	A1	*	7/2008	Hine	H04N 5/64 361/725
2018/0070466	A1	*	3/2018	Kim	H05K 5/0217

* cited by examiner

1.1



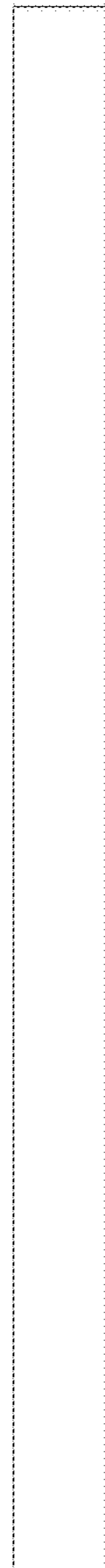
1.2



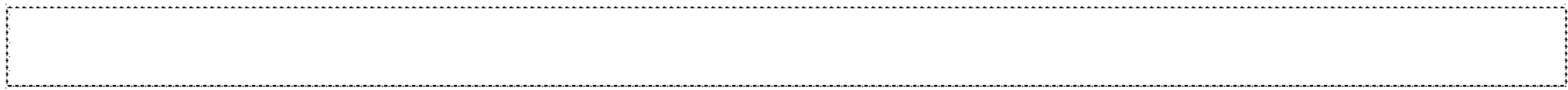
1.3



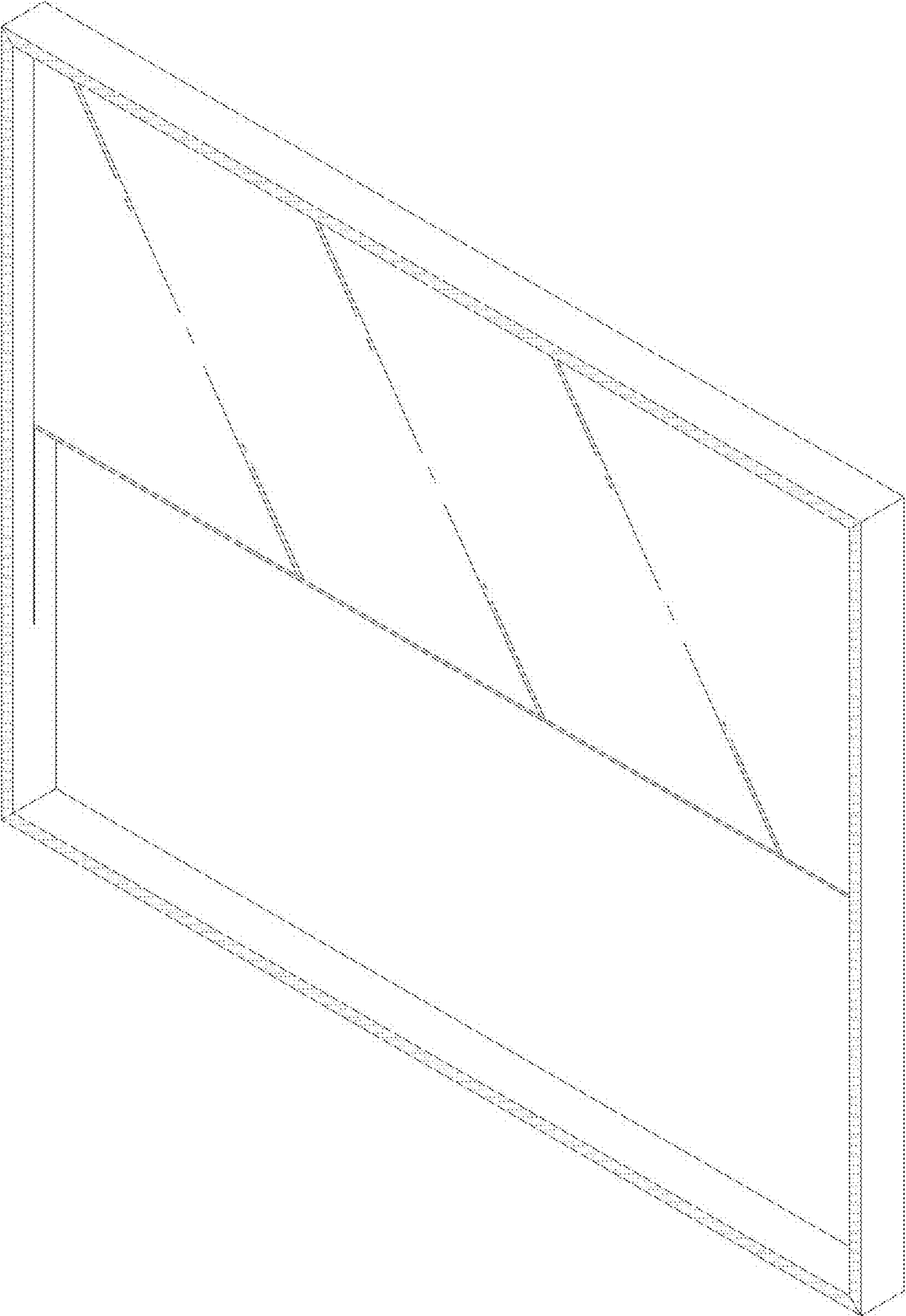
1.4



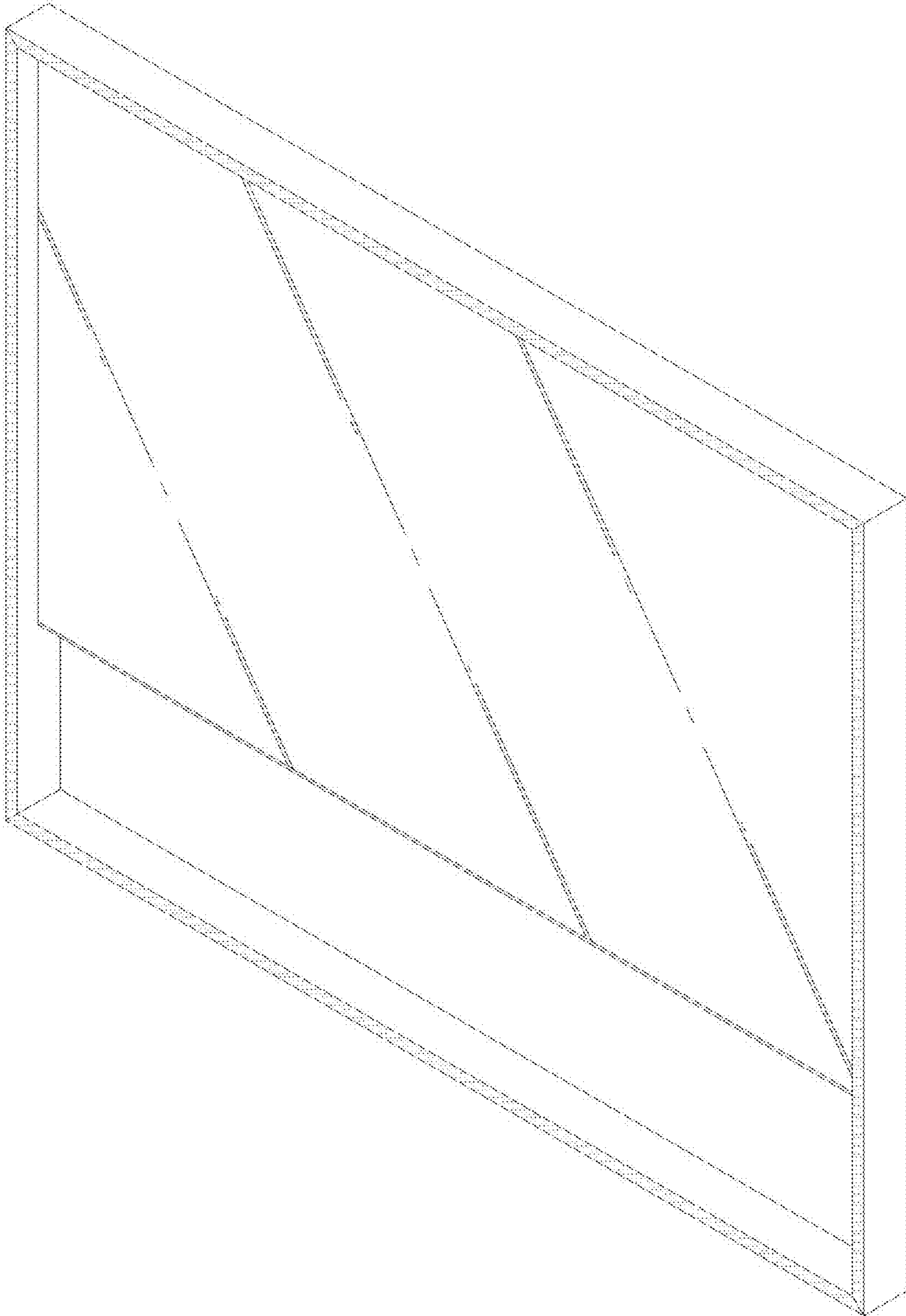
1.5



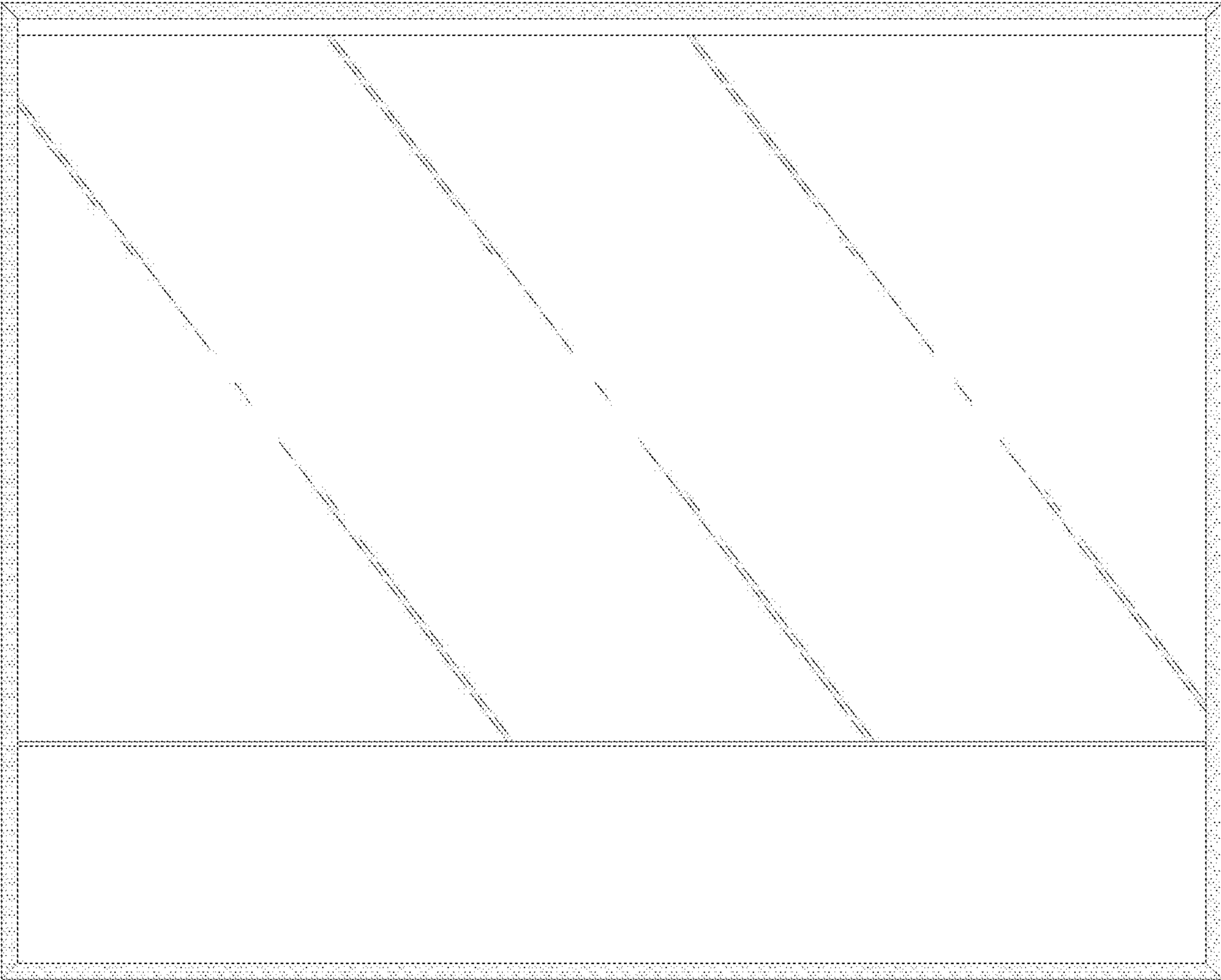
1.6



1.7



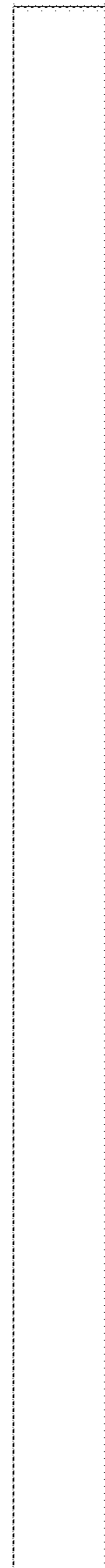
1.8



1.9



1.10



1.11

