



US00D911992S

(12) **United States Design Patent** (10) **Patent No.:** **US D911,992 S**
Stinson et al. (45) **Date of Patent:** **** Mar. 2, 2021**

(54) **PEDESTAL DIGITAL OUTDOOR DISPLAY**
(71) Applicant: **Melitron Corporation**, Guelph (CA)
(72) Inventors: **Kelly Stinson**, Cambridge (CA);
Michael Turner, Guelph (CA)
(73) Assignee: **Melitron Corporation**, Guelph (CA)
(**) Term: **15 Years**
(21) Appl. No.: **29/680,914**
(22) Filed: **Feb. 21, 2019**
(51) **LOC (13) Cl.** **14-03**
(52) **U.S. Cl.**
USPC **D14/126**
(58) **Field of Classification Search**
USPC D6/335, 396, 397, 552, 657, 661, 672,
D6/673, 675, 675.1, 675.2, 675.3, 675.4,
D6/675.5, 678.4, 683.1, 686, 699.1, 702;
D20/10, 18, 19, 39, 99; D25/1, 16, 32,
D25/33, 62, 68; D9/414; D14/126, 307,
D14/376
CPC A47B 47/00; A47B 47/02; A47B 47/04;
A47B 47/021; A47B 57/00; A47B
57/406; A47B 96/00; A47B 96/02; A47B
61/04; A47B 83/001; A47F 1/00; A47F
7/00; A47F 7/03; A47F 7/24; A47F 3/00;
A47F 3/002; A47F 3/005
See application file for complete search history.

D700,901 S * 3/2014 Giglio D14/129
D708,573 S * 7/2014 Gieniec D13/107
D728,557 S * 5/2015 Soares D14/307
D759,617 S * 6/2016 Soares D14/126
D776,651 S * 1/2017 Yates D14/307
D783,596 S * 4/2017 Payne D14/307
D869,412 S * 12/2019 Spencer D14/126
D869,413 S * 12/2019 Spencer D14/126

OTHER PUBLICATIONS

Baseline Digital Displays, www.baseline-digital-displays.com [online].
Published on or before Aug. 18, 2020, [retrieved on Aug. 18,
2020] . Retrieved from the Internet: <URL:https://www.baseline-
digital-displays.com/> (Year: 2020).*

(Continued)

Primary Examiner — Michael A. Pratt
Assistant Examiner — Adam C Mager

(57) **CLAIM**

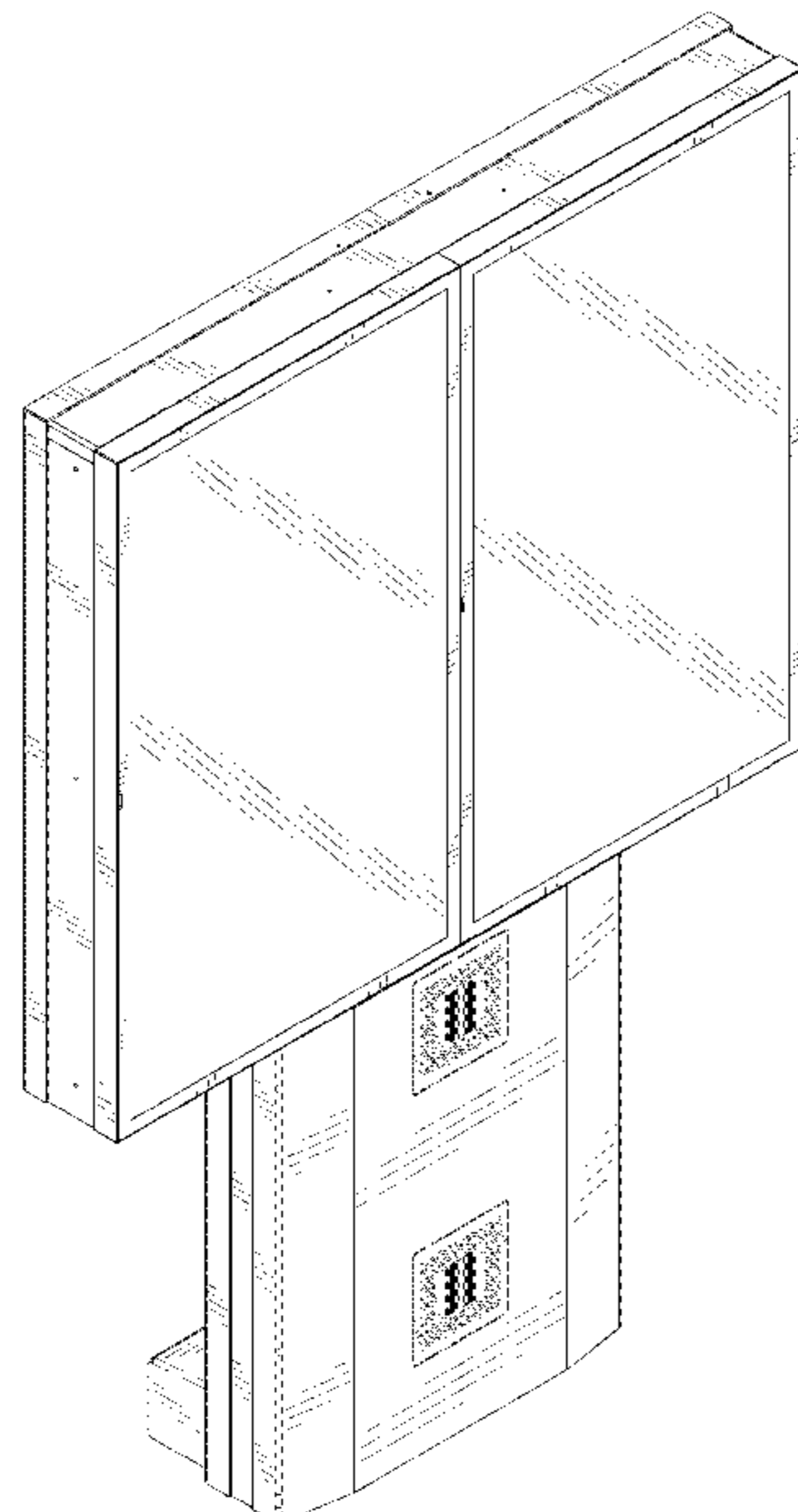
The ornamental design for a pedestal digital outdoor display,
as shown and described.

DESCRIPTION

FIG. 1 is a perspective view an embodiment thereof;
FIG. 2 is a first side view of the embodiment of FIG. 1;
FIG. 3 is a second side view of the embodiment of FIG. 1;
FIG. 4 is a front view of the embodiment of FIG. 1;
FIG. 5 is a back view of the embodiment of FIG. 1;
FIG. 6 is a top view of the embodiment of FIG. 1;
FIG. 7 is a bottom view of the embodiment of FIG. 1;
FIG. 8 is a perspective view of an alternative embodiment
thereof; and,
FIG. 9 is a front view of the embodiment of FIG. 8.
First and second side views, a back view, and top and bottom
views of the embodiment of FIG. 8 are not provided because
they are the same as FIGS. 2, 3, 5, 6, and 7 respectively.

1 Claim, 7 Drawing Sheets

(56) **References Cited**
U.S. PATENT DOCUMENTS
D398,653 S * 9/1998 Hiraguchi D20/10
D455,788 S * 4/2002 Gentelia D20/10
D639,800 S * 6/2011 Magruder D14/307
D646,269 S * 10/2011 Crick, Jr. D14/307
D671,535 S * 11/2012 Terashima D14/307



(56)

References Cited

OTHER PUBLICATIONS

Melitron, www.melitron.com [online]. Published on or before Nov. 11, 2020, [retrieved on Nov. 11, 2020]. Retrieved from the Internet: <URL:<http://www.melitron.com/digital-signage/>> (Year: 2020).*

Baseline Digital Displays, www.peerless-av.com [online]. Published on or before Nov. 11, 2020, [retrieved on Nov. 11, 2020]. Retrieved from the Internet: <URL:<https://www.peerless-av.com/products/kof-xhb>> (Year: 2020).*

* cited by examiner

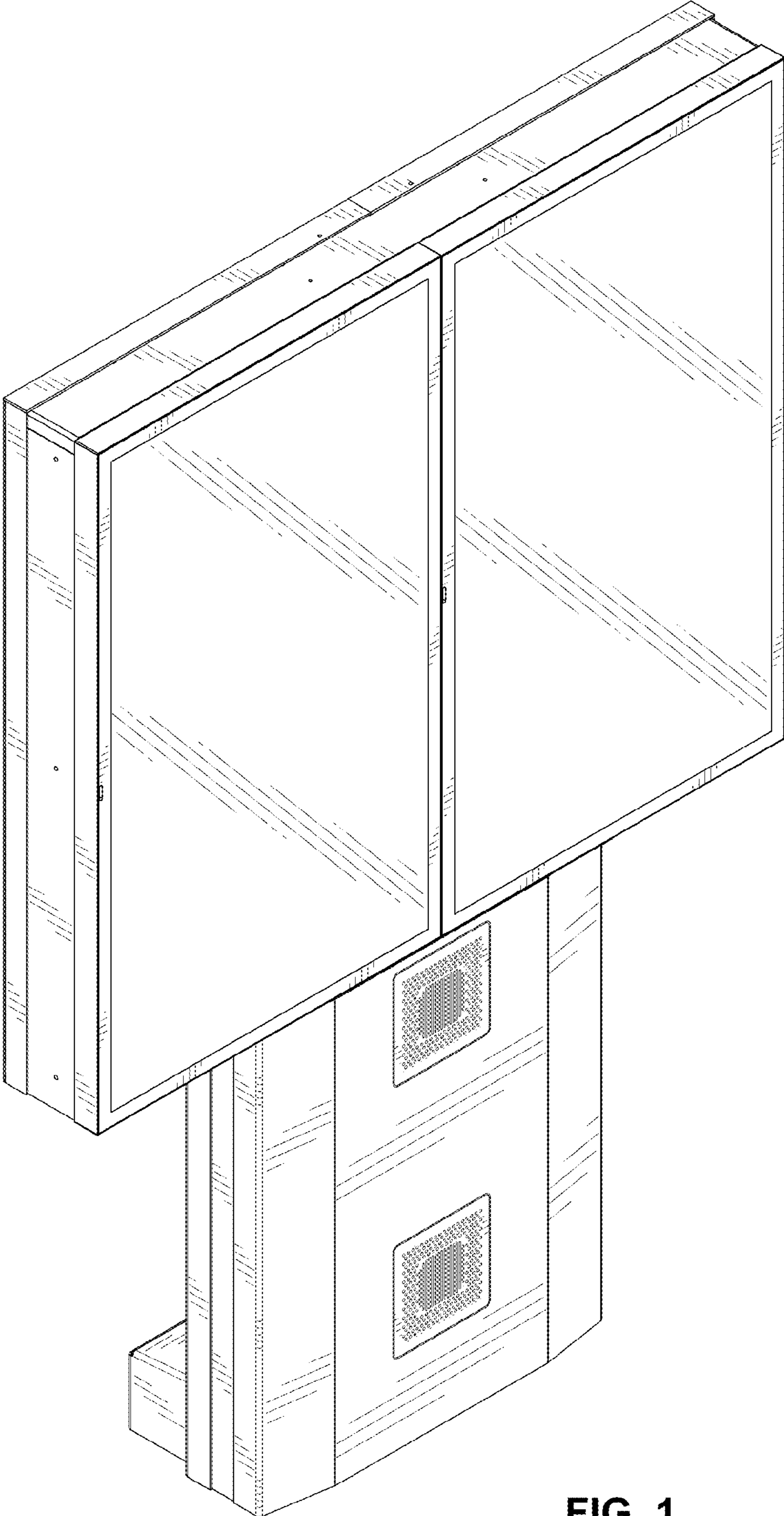


FIG. 1

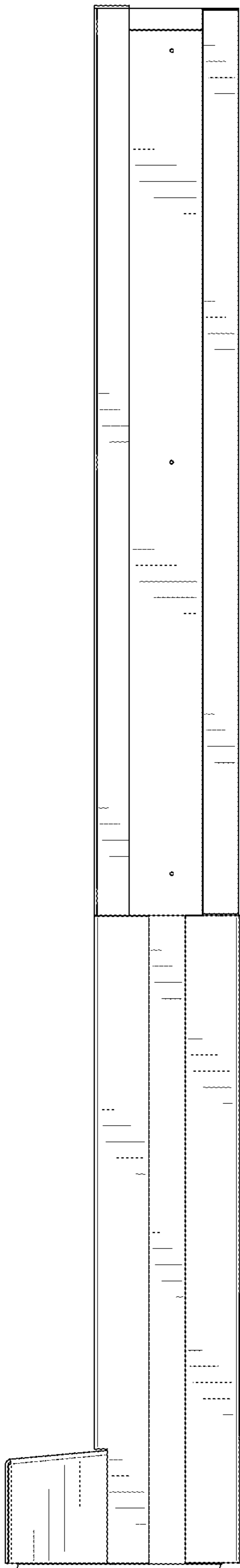


FIG. 2

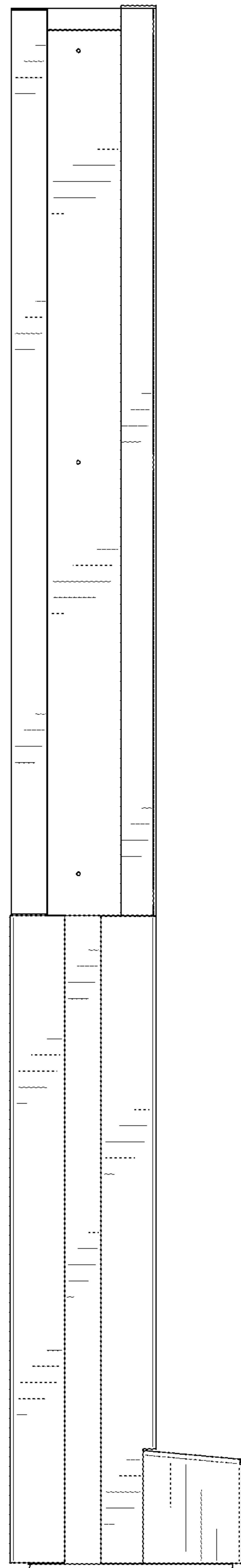


FIG. 3

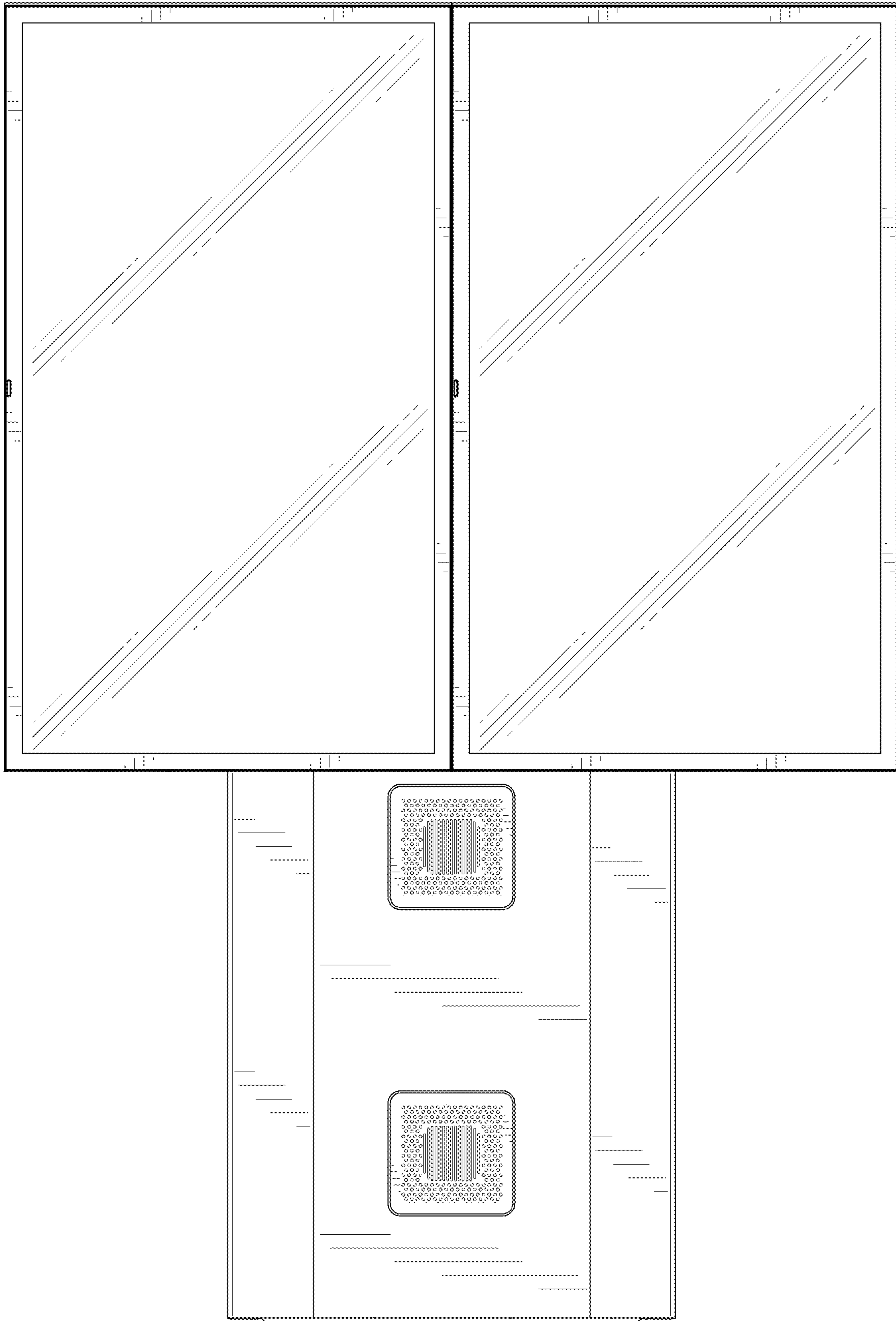


FIG. 4

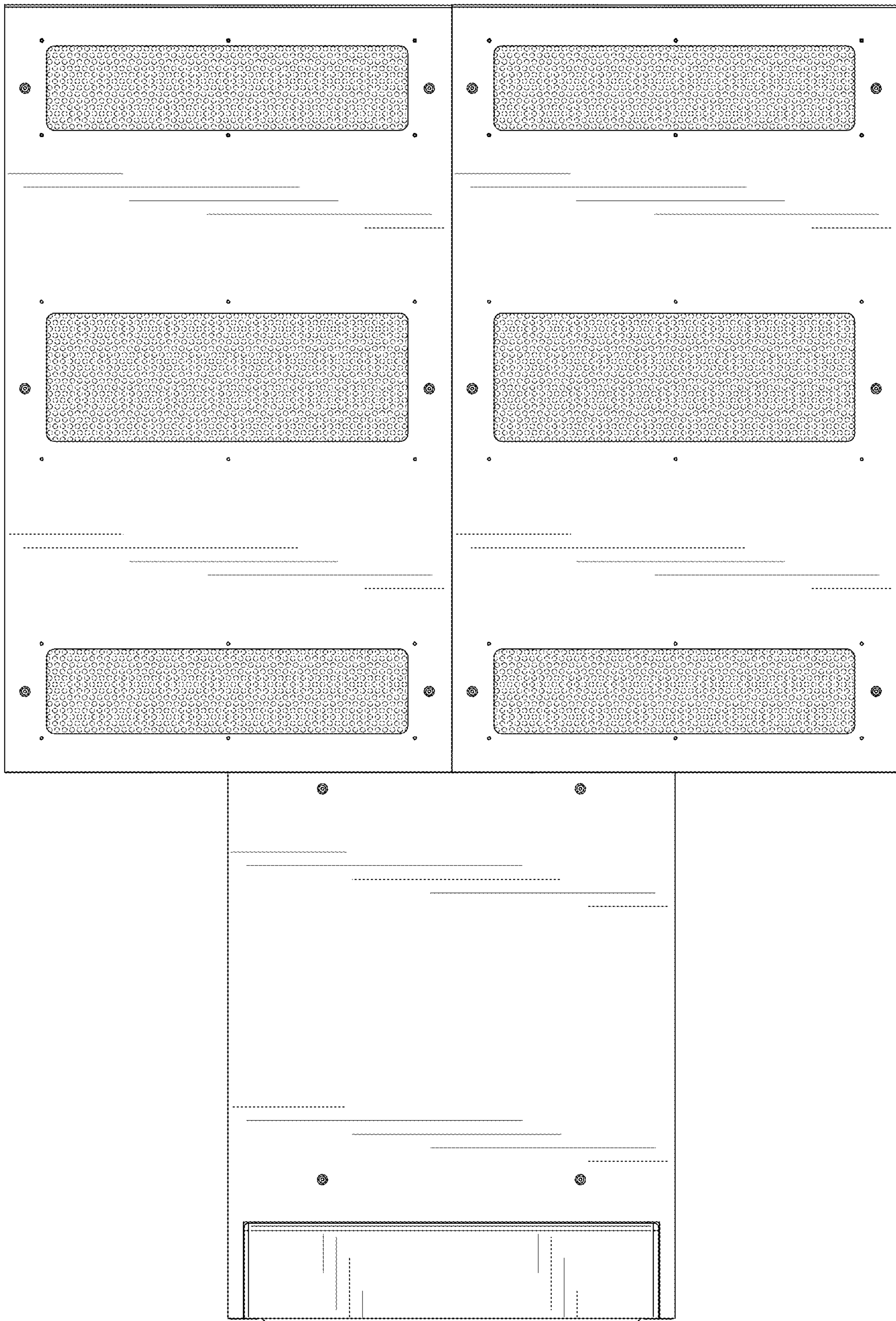


FIG. 5

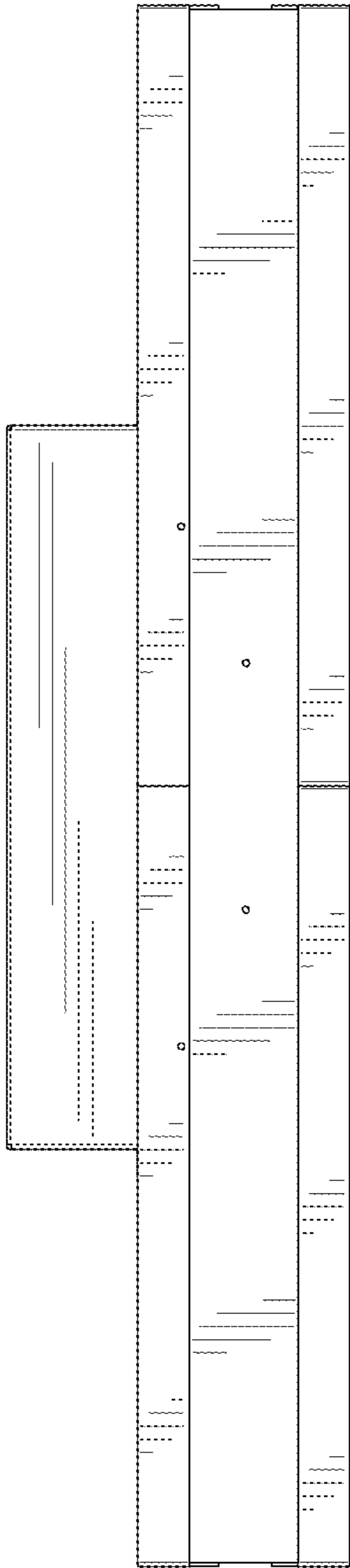


FIG. 6

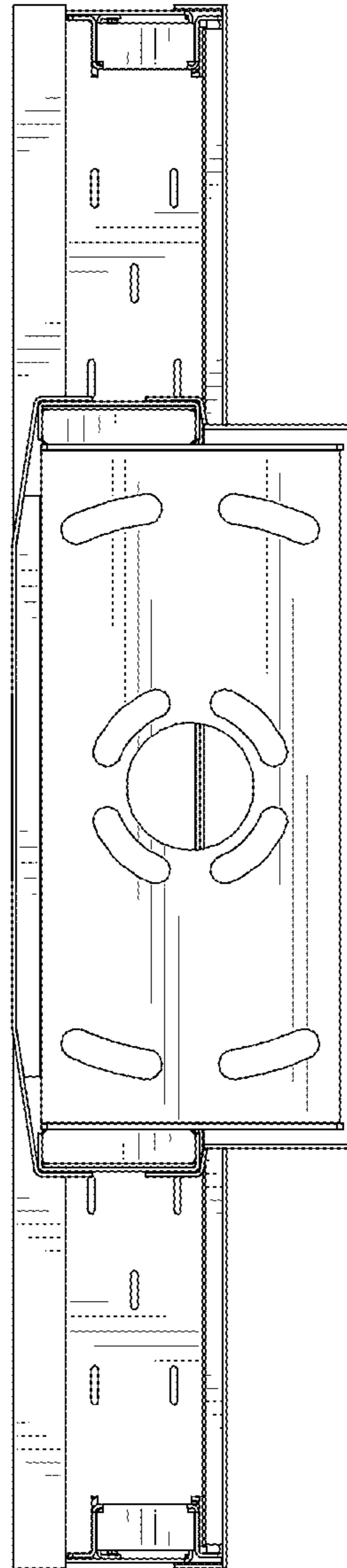


FIG. 7

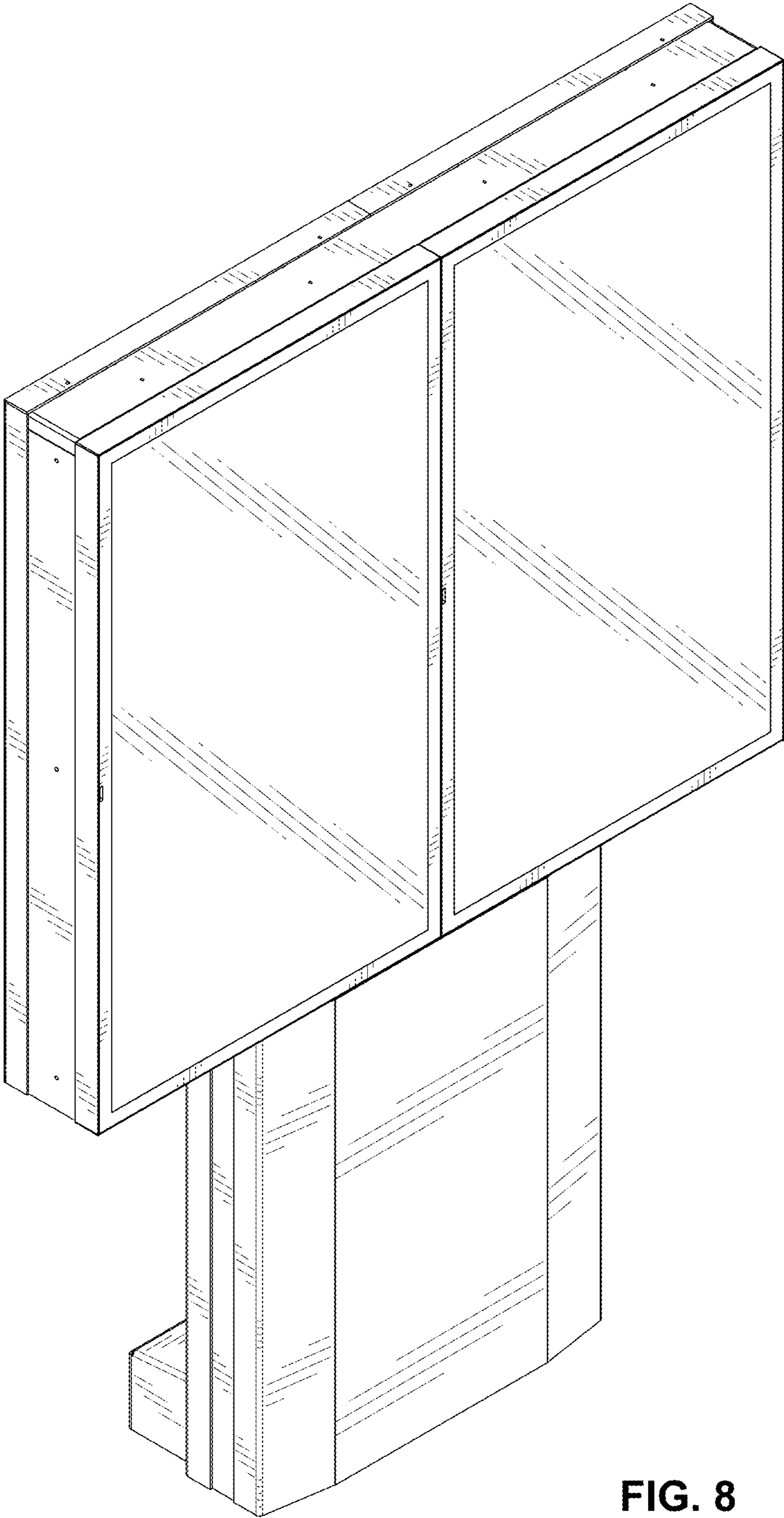


FIG. 8

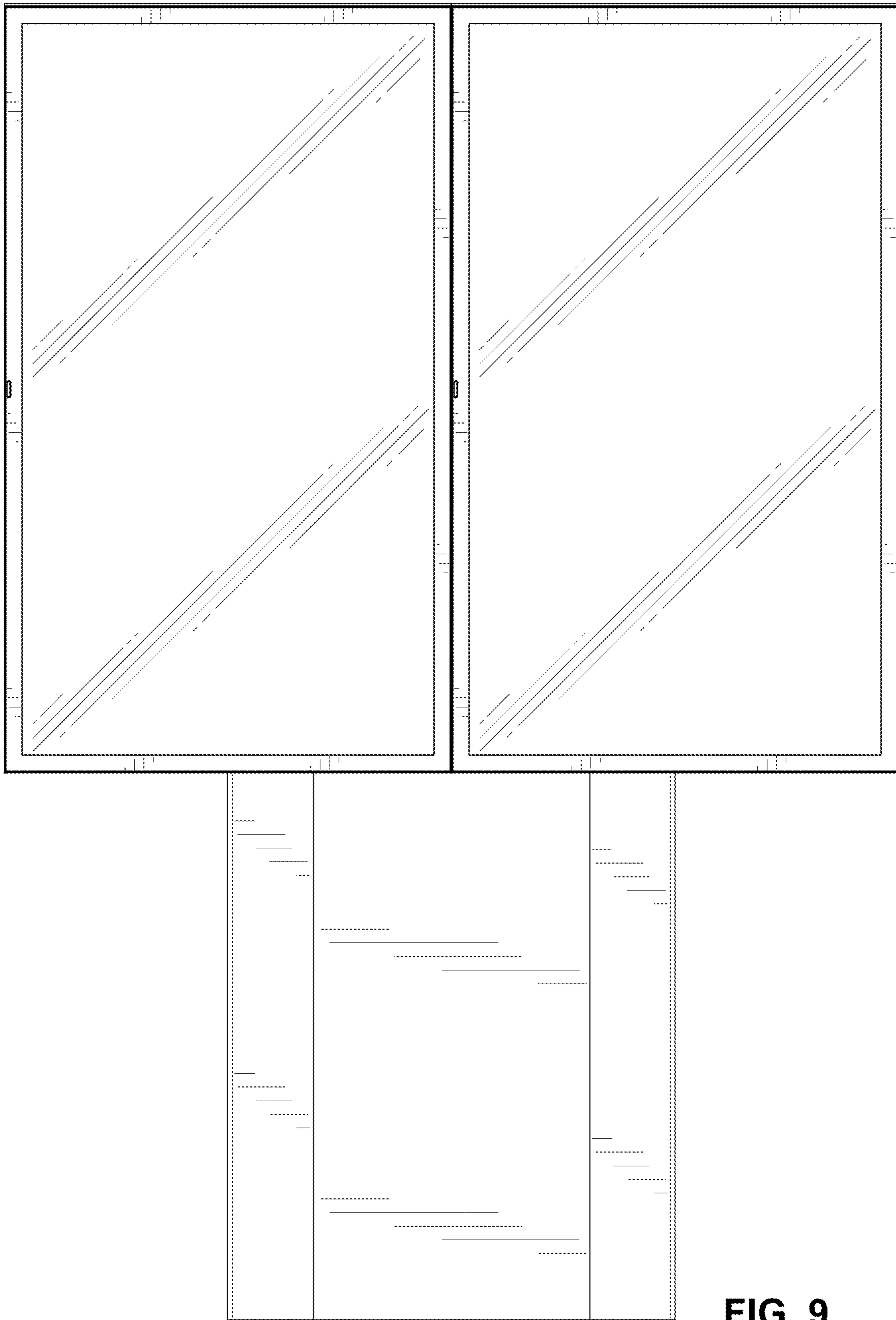


FIG. 9