



(56)

References Cited

U.S. PATENT DOCUMENTS

4,826,448 A \* 5/1989 Maddock ..... F21V 21/002  
439/409  
4,869,683 A 9/1989 Nelson  
4,927,377 A \* 5/1990 Bach ..... H01R 13/6392  
439/367  
4,940,424 A 7/1990 Odbert  
4,996,636 A 2/1991 Lovett  
5,104,335 A 4/1992 Conley et al.  
5,179,044 A 1/1993 Muromachi et al.  
D334,333 S \* 3/1993 Christen ..... D8/1  
5,217,387 A 6/1993 Hull et al.  
D338,190 S 8/1993 Bradbury  
5,306,176 A 4/1994 Coffey  
5,502,280 A 3/1996 Rocci et al.  
5,505,634 A 4/1996 Olsen  
5,549,482 A 8/1996 Langlais et al.  
5,551,888 A 9/1996 Rhodes, Sr.  
5,772,462 A 6/1998 Osten  
5,834,690 A 11/1998 Bastiaansen  
6,036,525 A 3/2000 Alfis, III  
D425,645 S \* 5/2000 Giese ..... D26/68  
D425,646 S \* 5/2000 Giese ..... D26/68  
6,087,780 A \* 7/2000 Benny ..... H01R 25/006  
315/185 S  
6,300,570 B1 10/2001 Lai  
D464,325 S \* 10/2002 Peters ..... D13/156  
D470,035 S \* 2/2003 Tisbo ..... D8/1  
6,805,581 B2 \* 10/2004 Love ..... H01R 13/447  
439/367  
6,837,255 B2 1/2005 Bunch  
6,878,007 B1 4/2005 Decker  
6,881,901 B2 4/2005 Egan

D515,503 S \* 2/2006 Lee ..... D13/139.4  
7,001,202 B2 2/2006 Robbins  
D518,587 S \* 4/2006 Rodriguez, Jr. .... D26/67  
7,041,899 B2 5/2006 Stekelenburg  
7,465,182 B1 12/2008 McDonald  
D589,328 S 3/2009 Edge  
7,544,082 B1 6/2009 Halvorsen  
7,553,181 B1 6/2009 Van Dalinda, III  
D595,804 S 7/2009 Tollefson et al.  
7,622,668 B1 11/2009 Tollefson et al.  
7,833,037 B2 11/2010 Reusche et al.  
8,183,475 B2 5/2012 Dukes et al.  
8,197,278 B2 6/2012 Reusche et al.  
8,225,545 B1 7/2012 Collins  
D672,075 S \* 12/2012 Abogabir ..... D26/68  
8,546,694 B1 10/2013 Harrison  
8,985,586 B1 3/2015 Alpi et al.  
9,425,604 B1 8/2016 Lawrence  
9,899,823 B1 2/2018 Catinis  
2005/0085118 A1 4/2005 Robbins  
2006/0097117 A1 \* 5/2006 Yu ..... E04H 12/2269  
248/156  
2009/0084601 A1 4/2009 Masinter et al.  
2010/0265715 A1 10/2010 Winstanley et al.  
2012/0115349 A1 5/2012 Kierstead  
2014/0104831 A1 \* 4/2014 Beausoleil ..... F21V 33/006  
362/235  
2014/0293601 A1 10/2014 Beausoleil et al.  
2016/0329132 A1 11/2016 Nooner et al.

OTHER PUBLICATIONS

Aspects 264 Weather Dome available at amazon.com as early as May 4, 2013. (Year: 2013).\*

\* cited by examiner

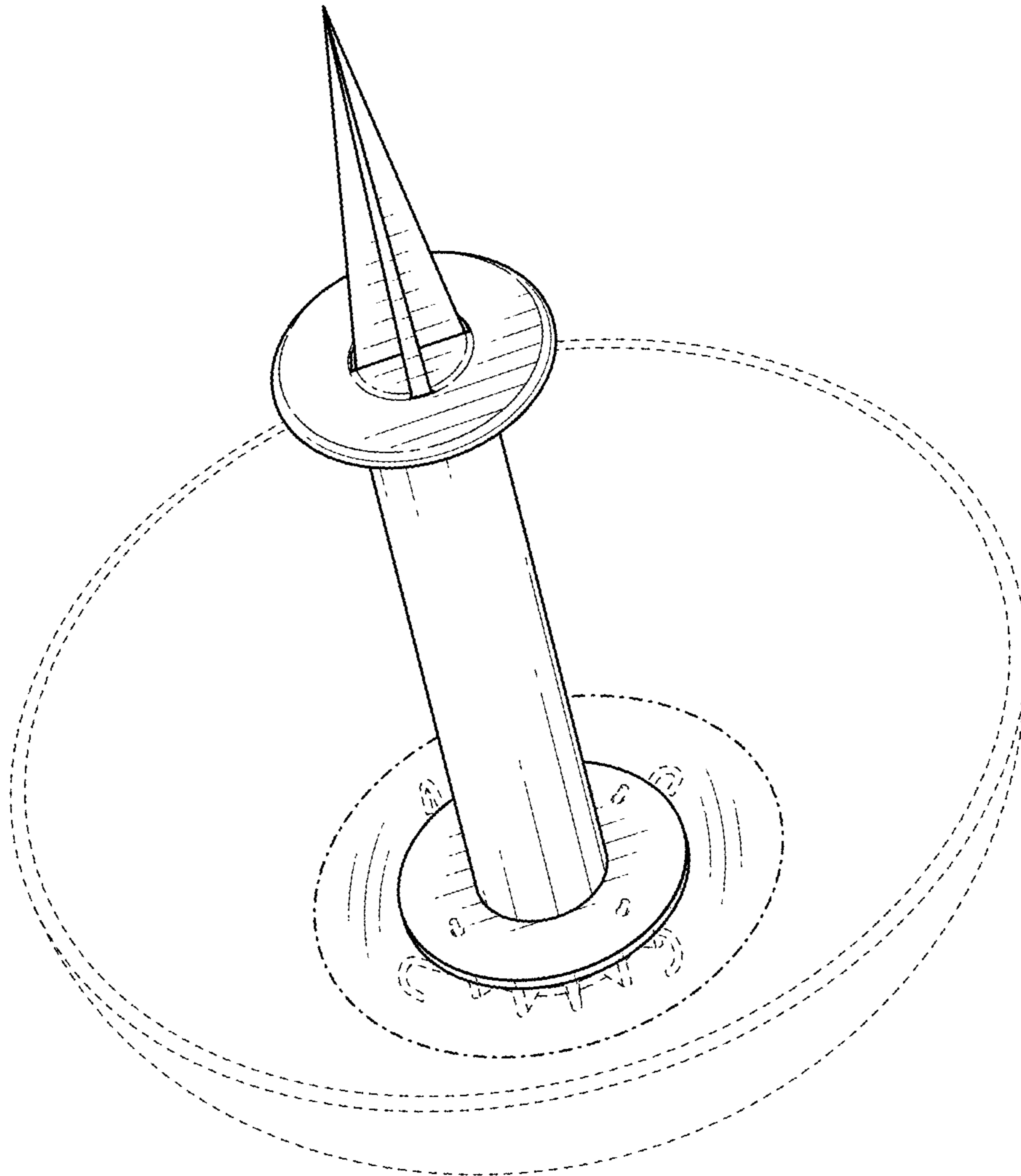


FIG. 1

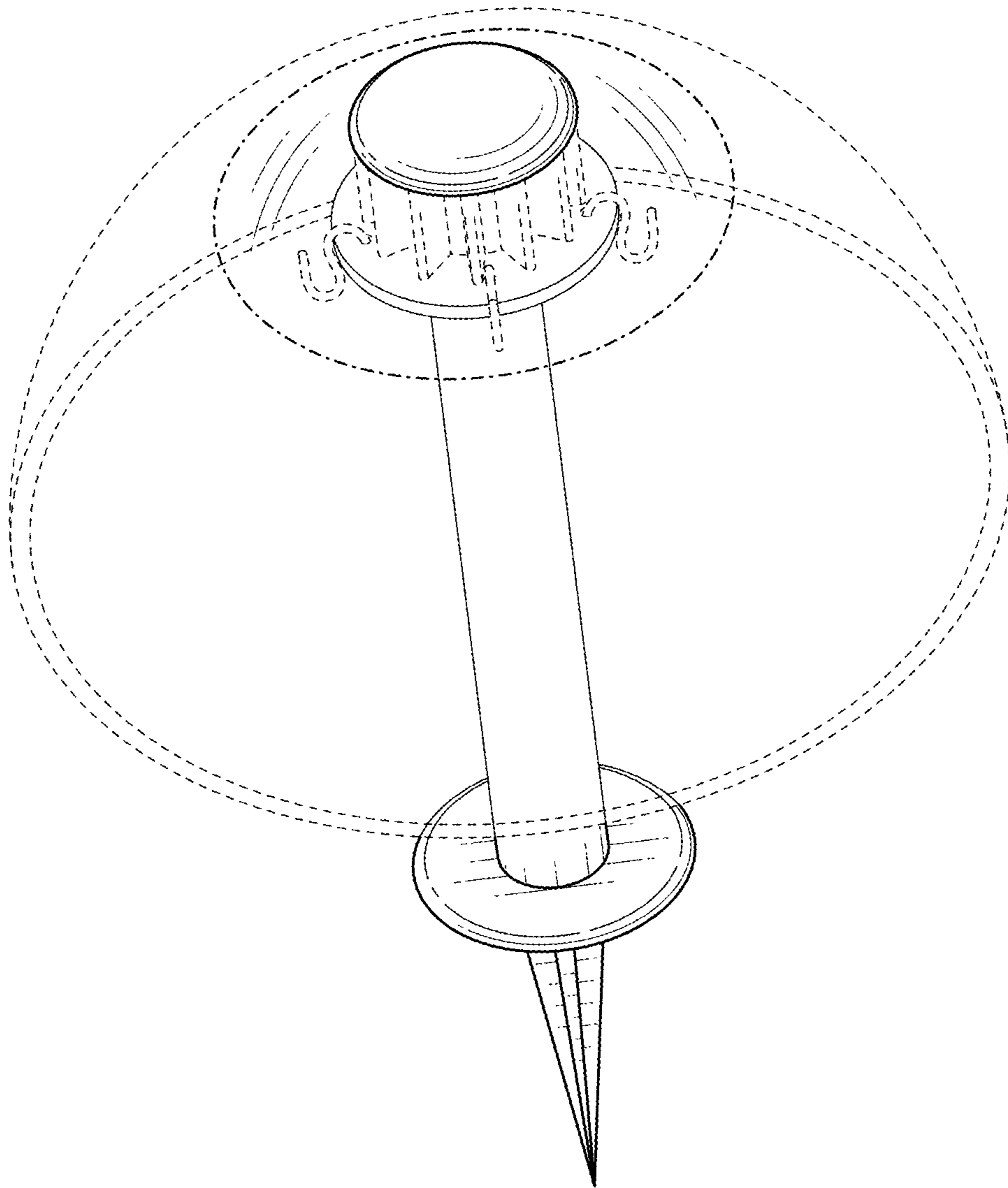


FIG. 2

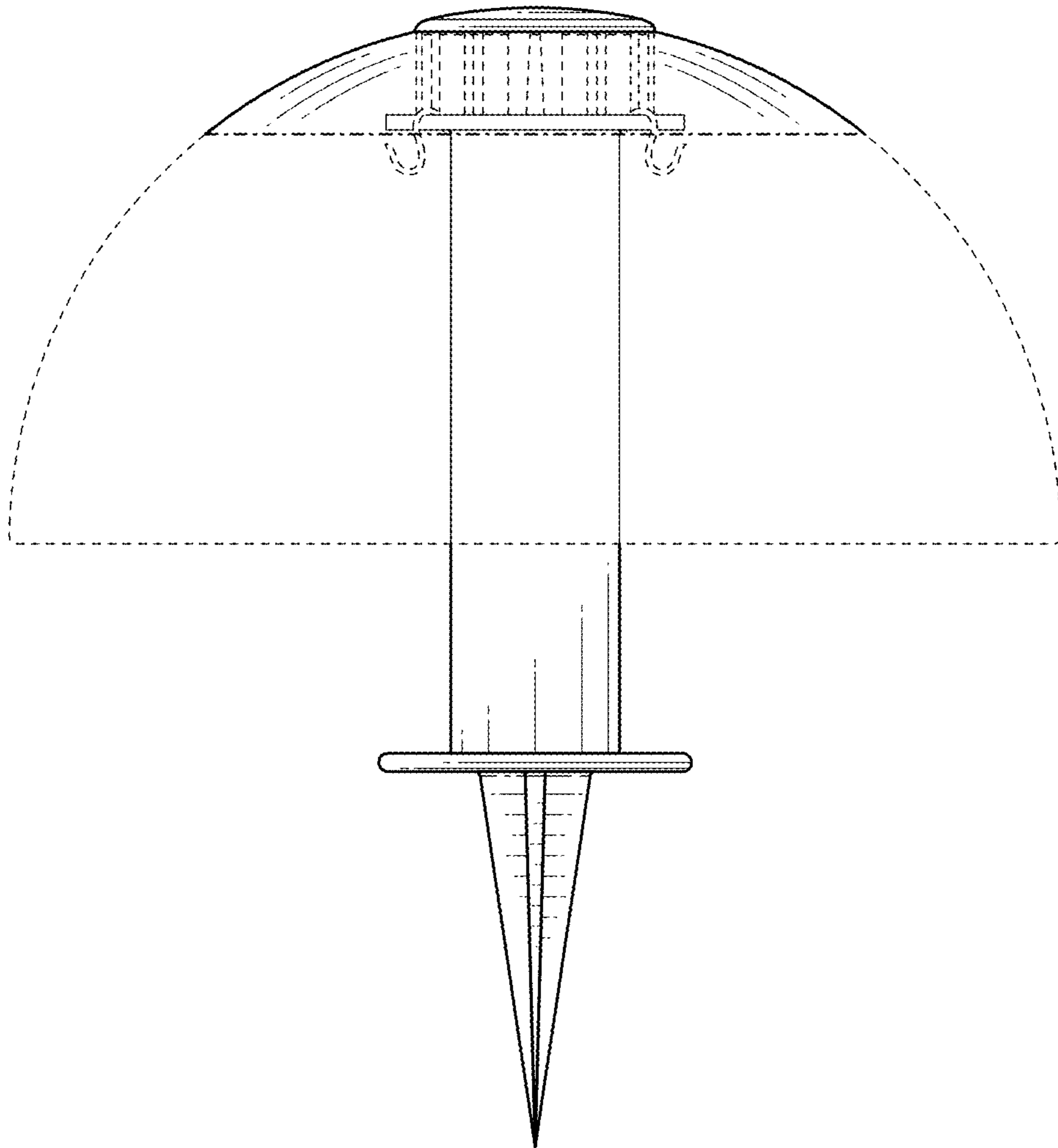


FIG. 3



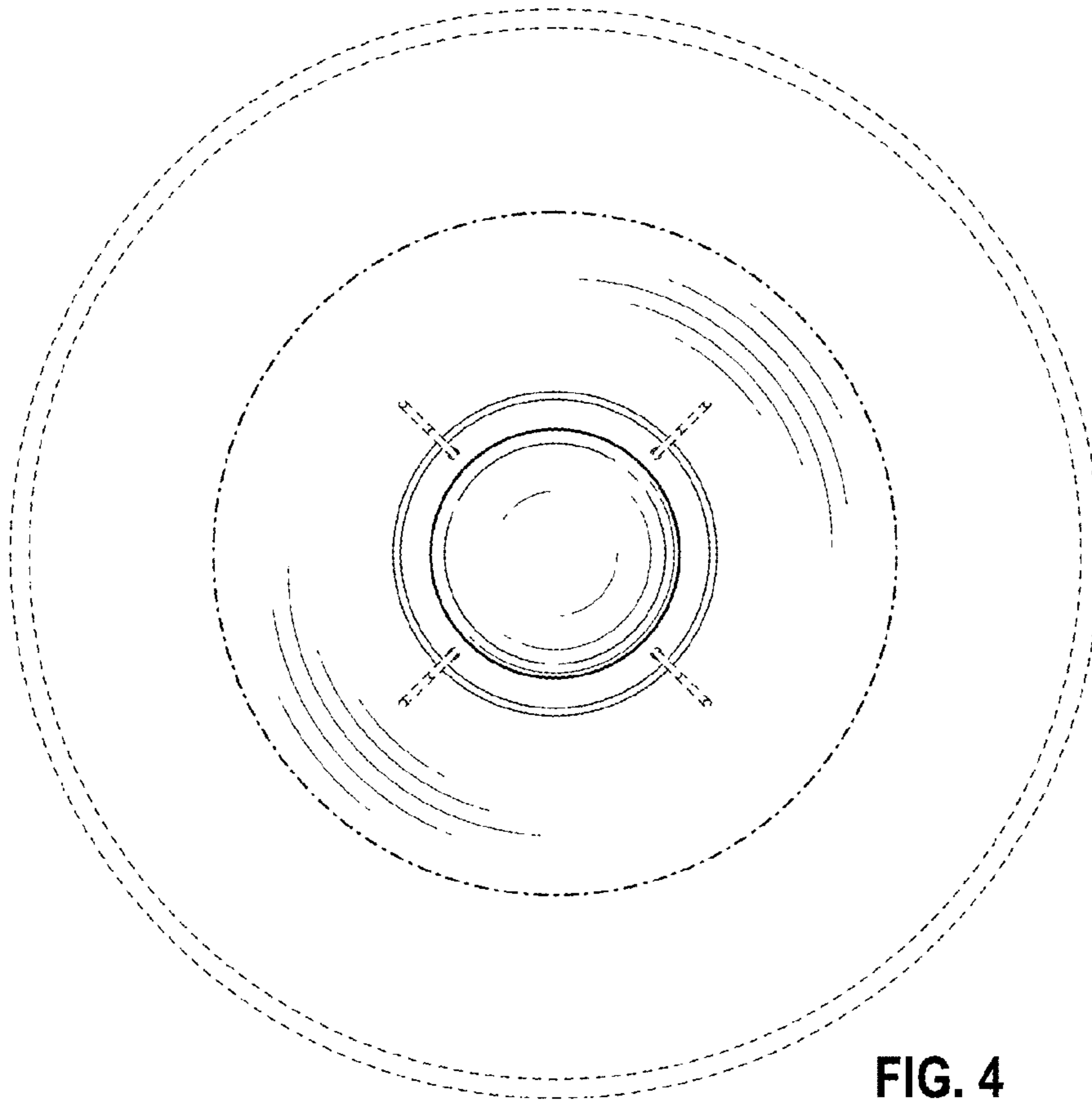


FIG. 4

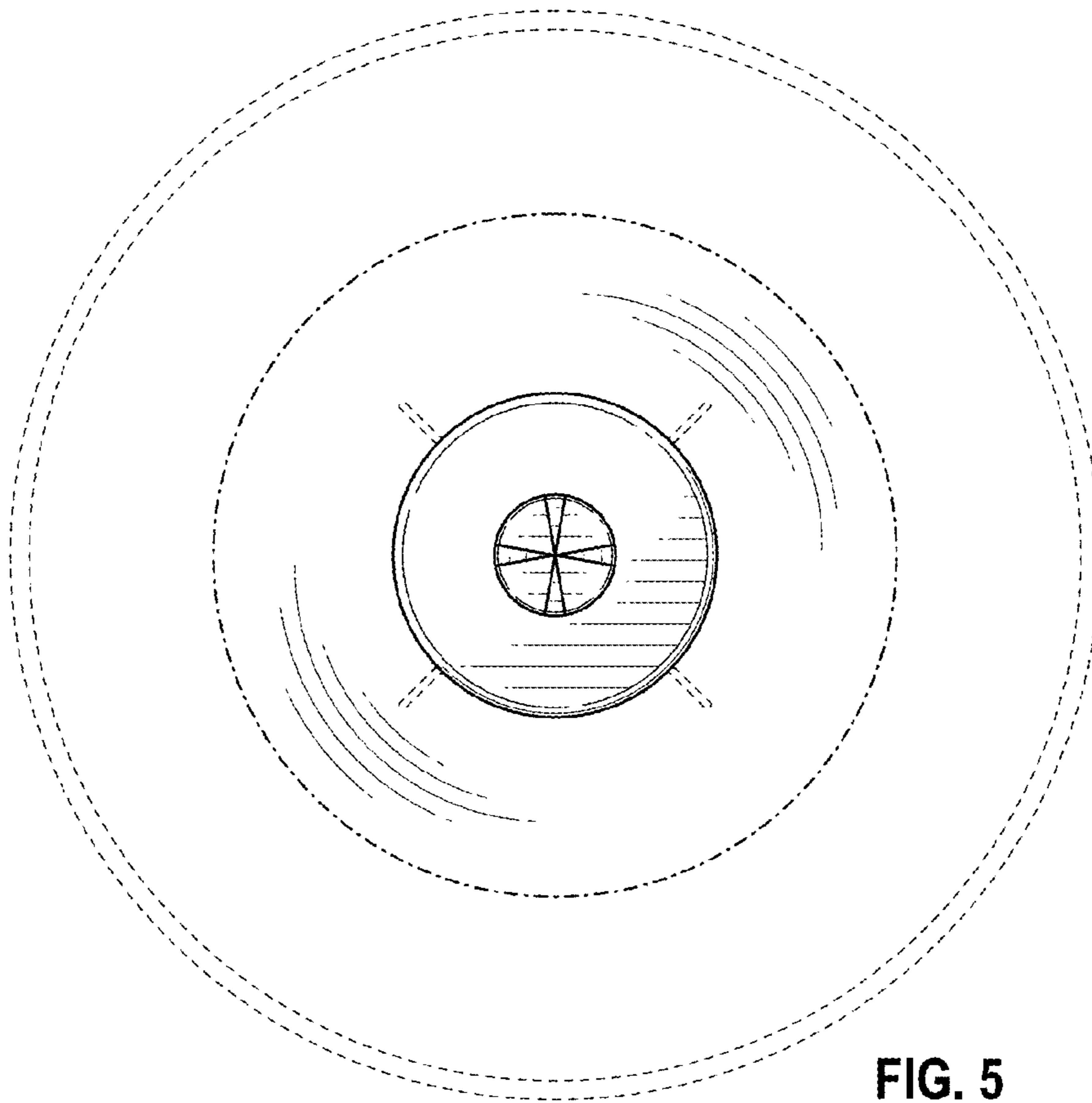


FIG. 5

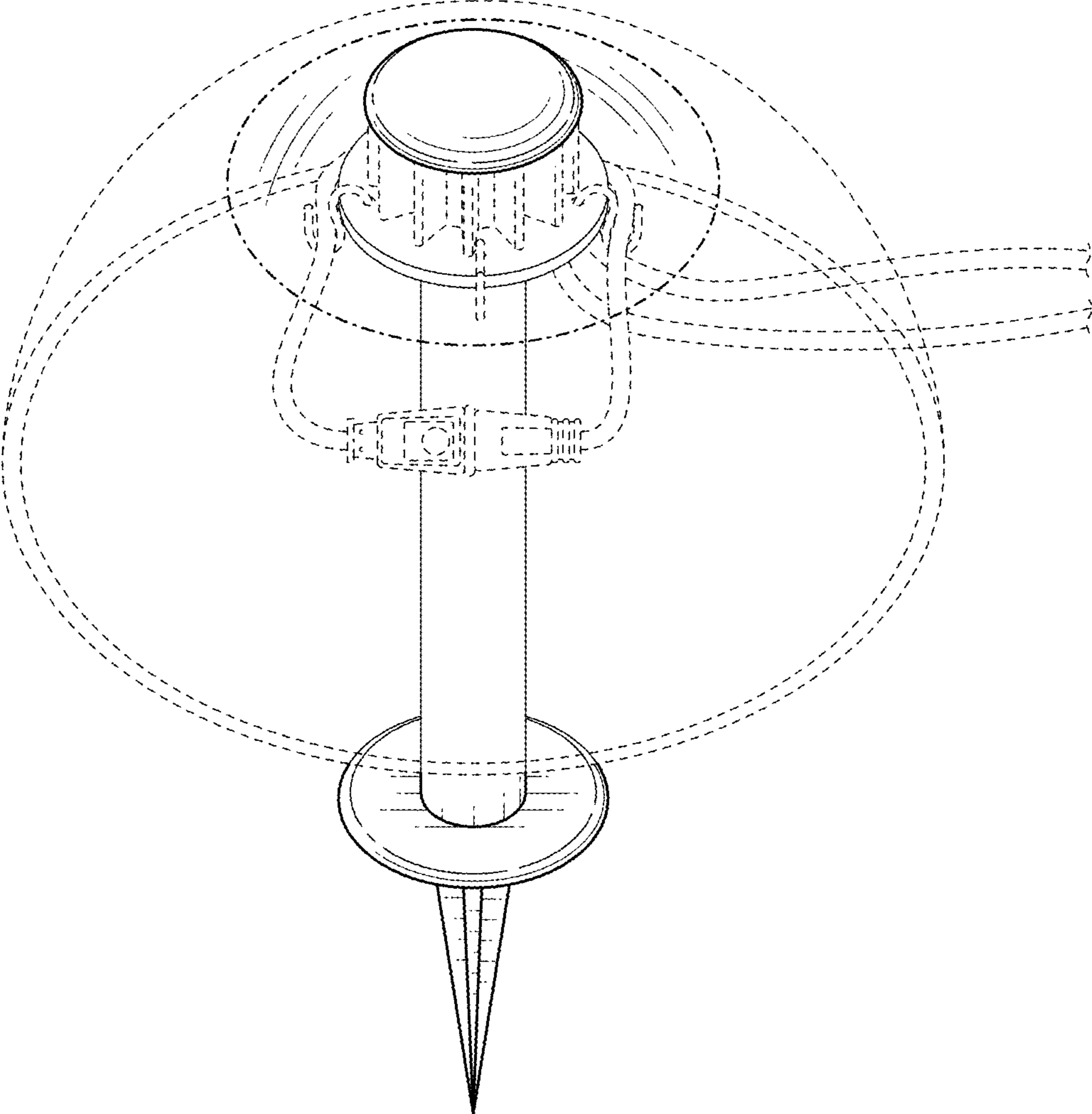


FIG. 6