



US00D911983S

(12) **United States Design Patent**  
**Chen**

(10) **Patent No.:** **US D911,983 S**  
(45) **Date of Patent:** **\*\* Mar. 2, 2021**

(54) **SWITCH FOR SMART CEILING FAN LIGHT**

(71) Applicant: **Cai Chen**, Guangdong (CN)

(72) Inventor: **Cai Chen**, Guangdong (CN)

(73) Assignee: **SHENZEHN CUCO SMART TECHNOLOGY CO., LTD**, Guangdong (CN)

(\*\*) Term: **15 Years**

(21) Appl. No.: **29/709,767**

(22) Filed: **Oct. 17, 2019**

(51) **LOC (13) Cl.** ..... **13-03**

(52) **U.S. Cl.**  
USPC ..... **D13/170**

(58) **Field of Classification Search**  
USPC ..... D13/162, 168, 171, 173, 174, 170  
CPC .. H01H 9/02; H01H 9/16; H01H 9/18; H01H 9/181; H01H 9/182; H01H 13/023; H01H 13/04; H01H 13/06; H01H 2009/187; H01H 15/02; H01H 15/025; H01H 15/04; H01H 15/06; H01H 15/10; H05B 39/02; H05B 39/04; H05B 39/085; H05B 39/086; H05B 39/088; G08C 17/02; H03K 17/962; H03K 17/96; H03K 17/9645; H03K 2017/9634; G06F 2203/04809

See application file for complete search history.

(56) **References Cited**

**U.S. PATENT DOCUMENTS**

- 4,246,494 A \* 1/1981 Foreman ..... H03K 17/725 307/116
- D329,635 S \* 9/1992 Tsai ..... D13/110
- 5,196,782 A \* 3/1993 D'Aleo ..... H02M 5/257 323/320
- D380,451 S \* 7/1997 Krajci ..... D13/170

- D384,038 S \* 9/1997 Ko ..... D13/162
- D412,155 S \* 7/1999 Gatchell ..... D13/162
- D572,208 S \* 7/2008 Mayo ..... D13/170
- 7,566,995 B2 \* 7/2009 Altonen ..... G06F 3/03547 307/119
- D740,762 S \* 10/2015 Miller ..... D13/162
- 9,198,259 B2 \* 11/2015 Hoang ..... H05B 47/10
- 9,389,769 B1 \* 7/2016 O'Keeffe ..... G02B 6/0021
- 10,102,742 B2 \* 10/2018 Dimberg ..... G01D 5/20
- 10,524,339 B2 \* 12/2019 Hung ..... H05B 39/085
- 10,645,777 B2 \* 5/2020 Casey ..... H05B 45/20
- D886,749 S \* 6/2020 Emigh ..... D13/170
- 2018/0191517 A1 \* 7/2018 Emigh ..... G06F 3/044
- 2018/0228003 A1 \* 8/2018 O'Driscoll ..... G05B 15/02

**OTHER PUBLICATIONS**

WeMo (F7C059) Dimmer Wifi Light Switch; May 18, 2017; 2 pgs.\*  
Treatlife, Smart Dimmer Switch; Apr. 22, 2018; 2 pgs.\*

\* cited by examiner

*Primary Examiner* — Selina Sikder

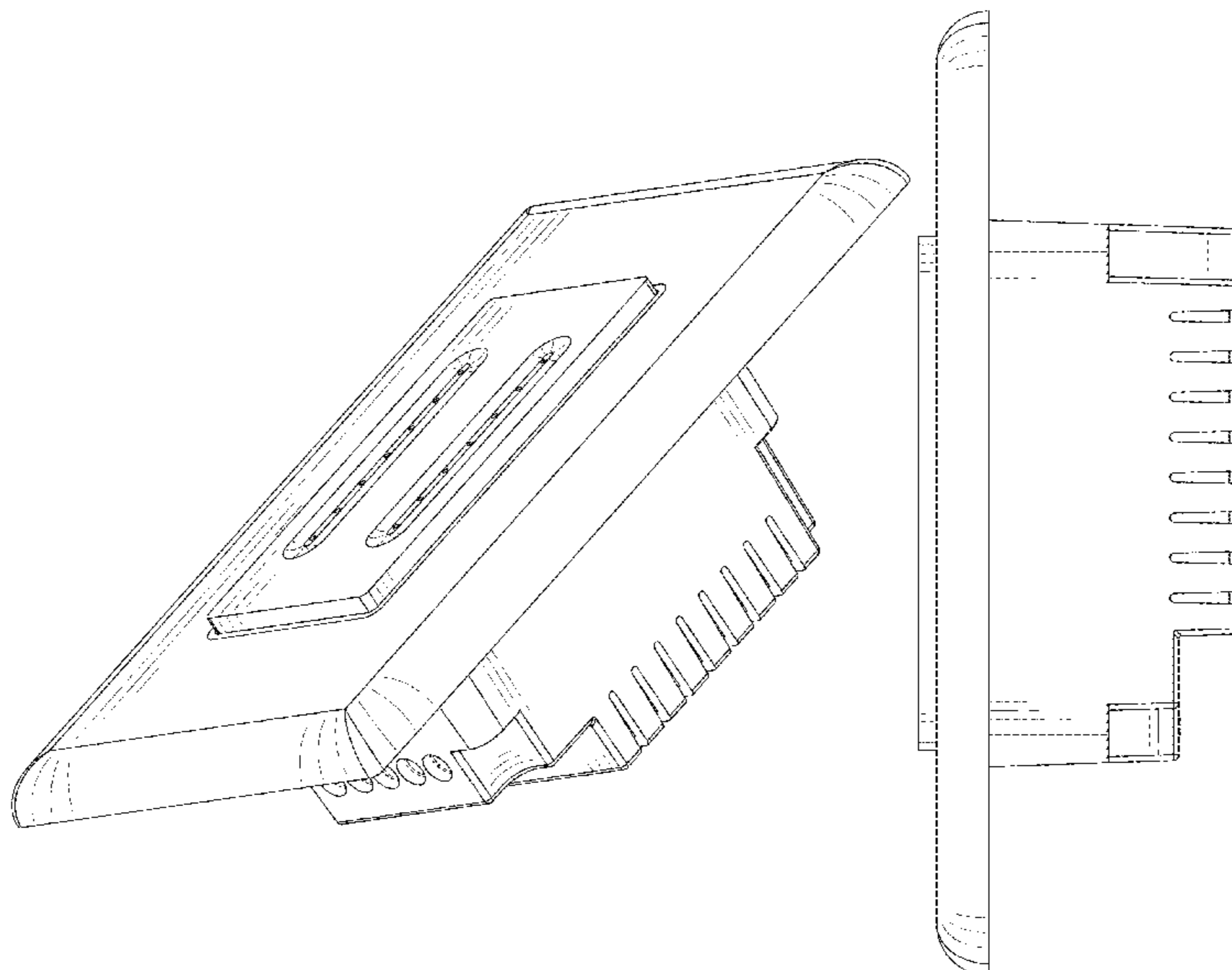
(57) **CLAIM**

The ornamental design for a switch for smart ceiling fan light, as shown and described.

**DESCRIPTION**

FIG. 1 is a perspective view of a switch for smart ceiling fan light showing my new design;  
FIG. 2 is a front elevational view thereof;  
FIG. 3 is a rear elevational view thereof;  
FIG. 4 is a left side elevational view thereof;  
FIG. 5 is a right side elevational view thereof;  
FIG. 6 is a top plan view thereof;  
FIG. 7 is a bottom plan view thereof; and,  
FIG. 8 is a rear and left side perspective view thereof.  
The broken lines in the drawings depict portions of the switch for smart ceiling fan light that form no part of the claimed design.

**1 Claim, 8 Drawing Sheets**



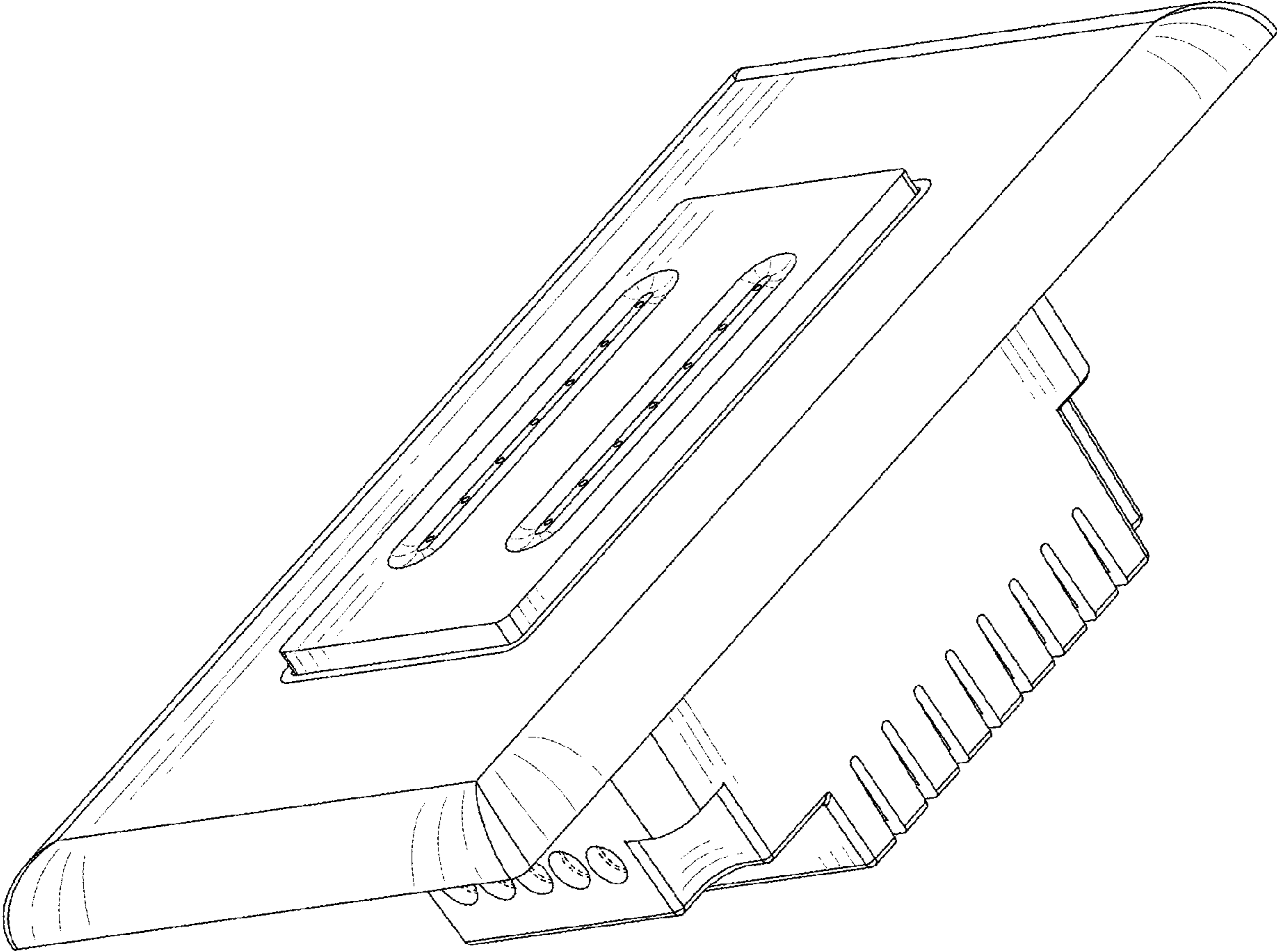


FIG. 1

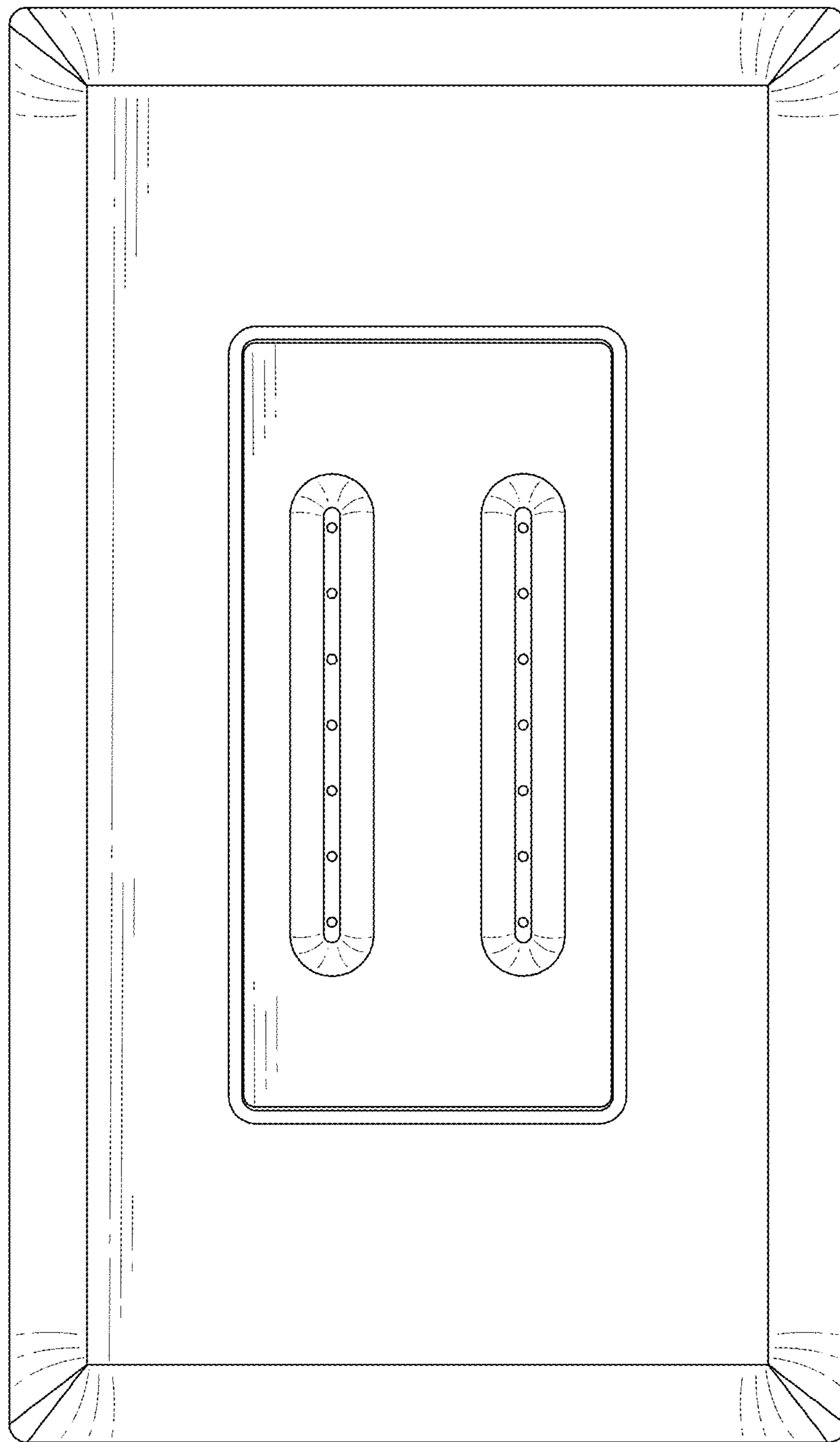


FIG. 2

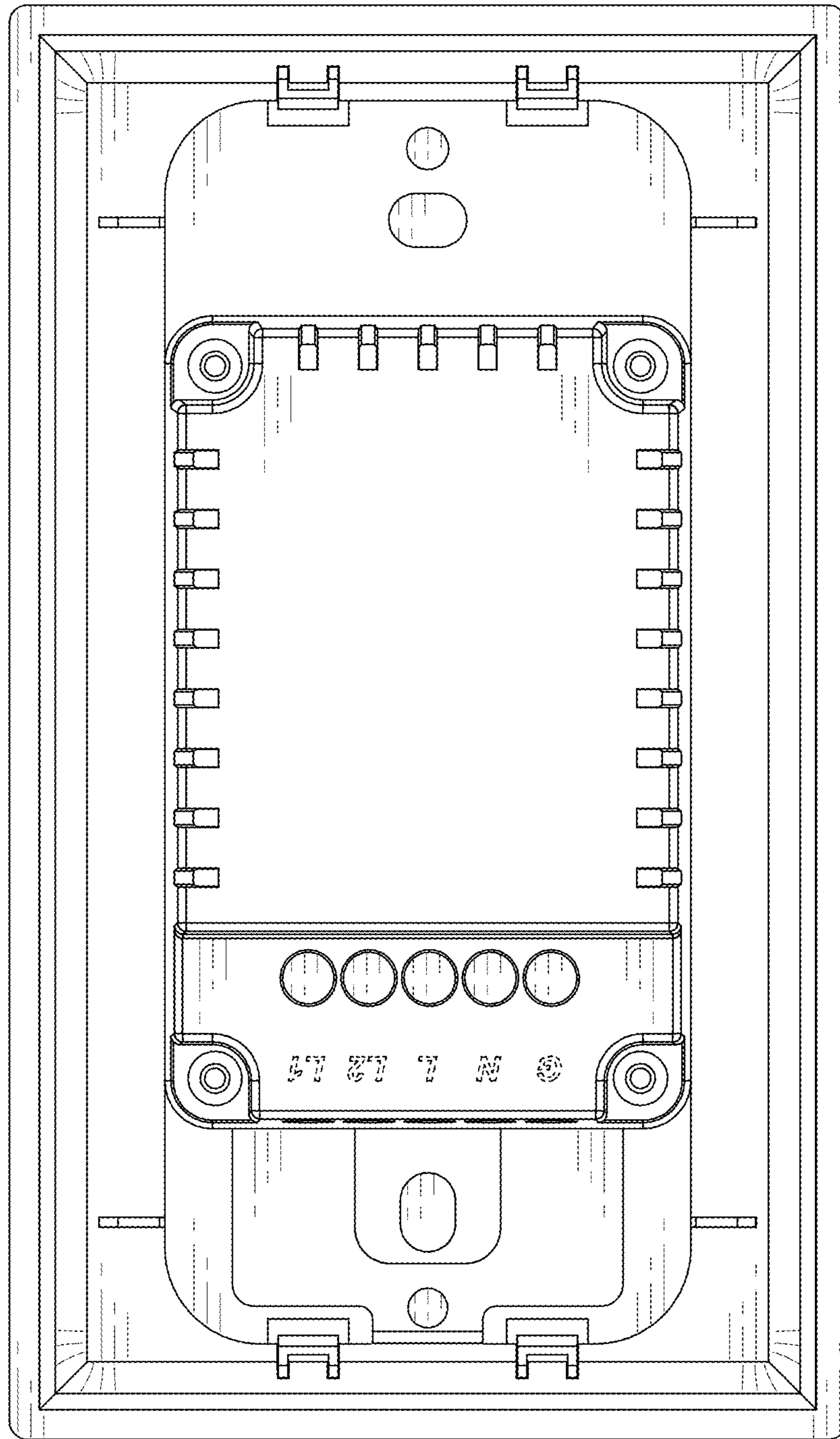


FIG. 3

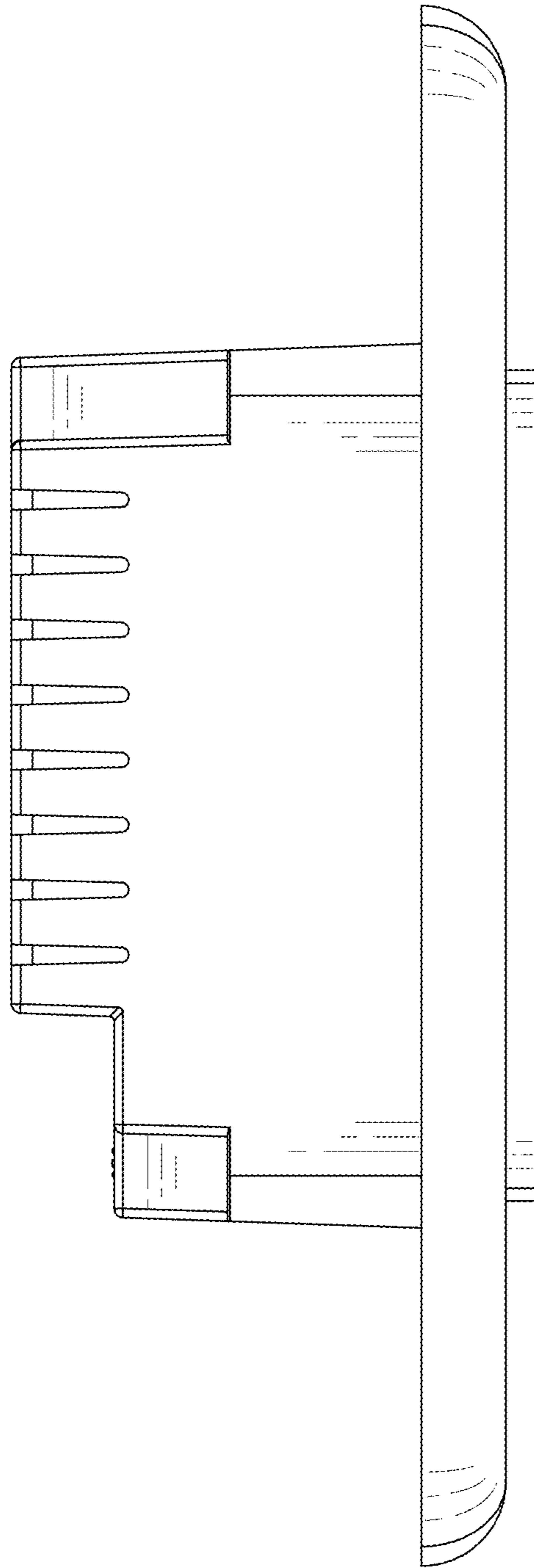


FIG. 4

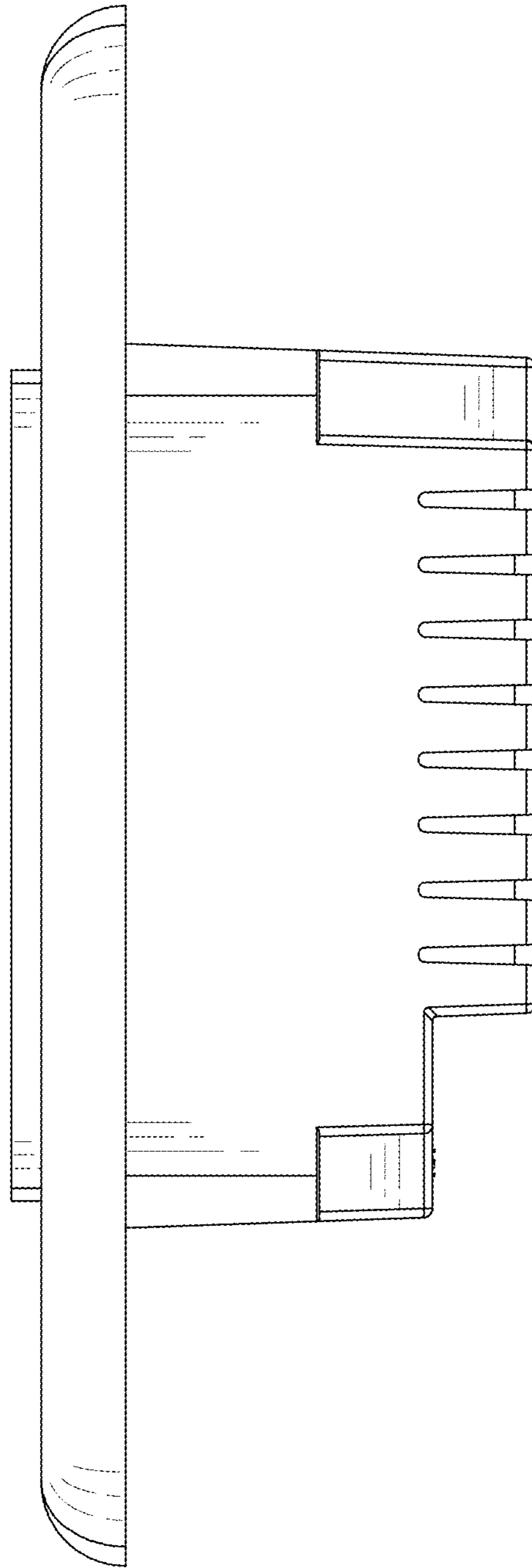


FIG. 5

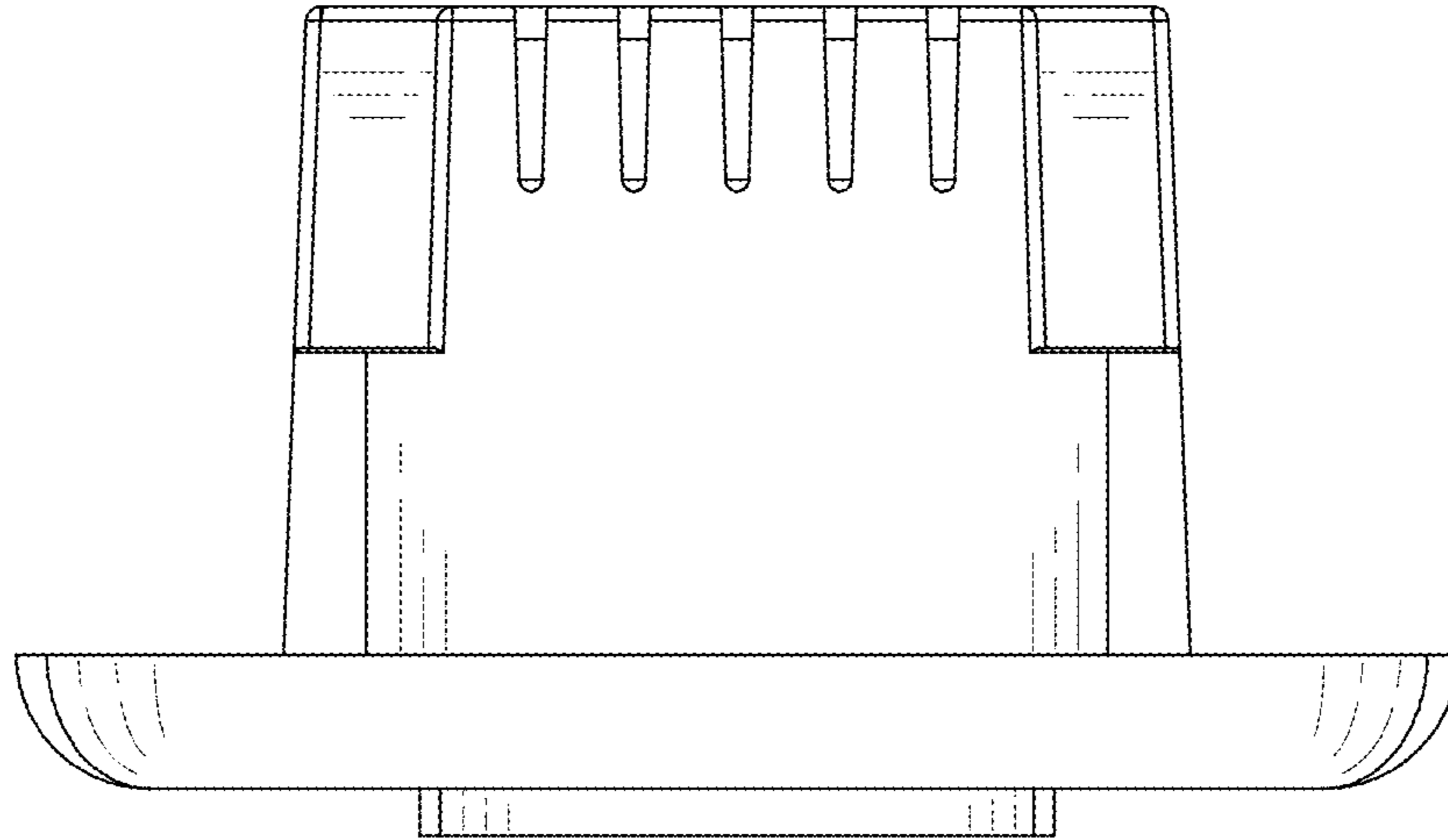


FIG. 6

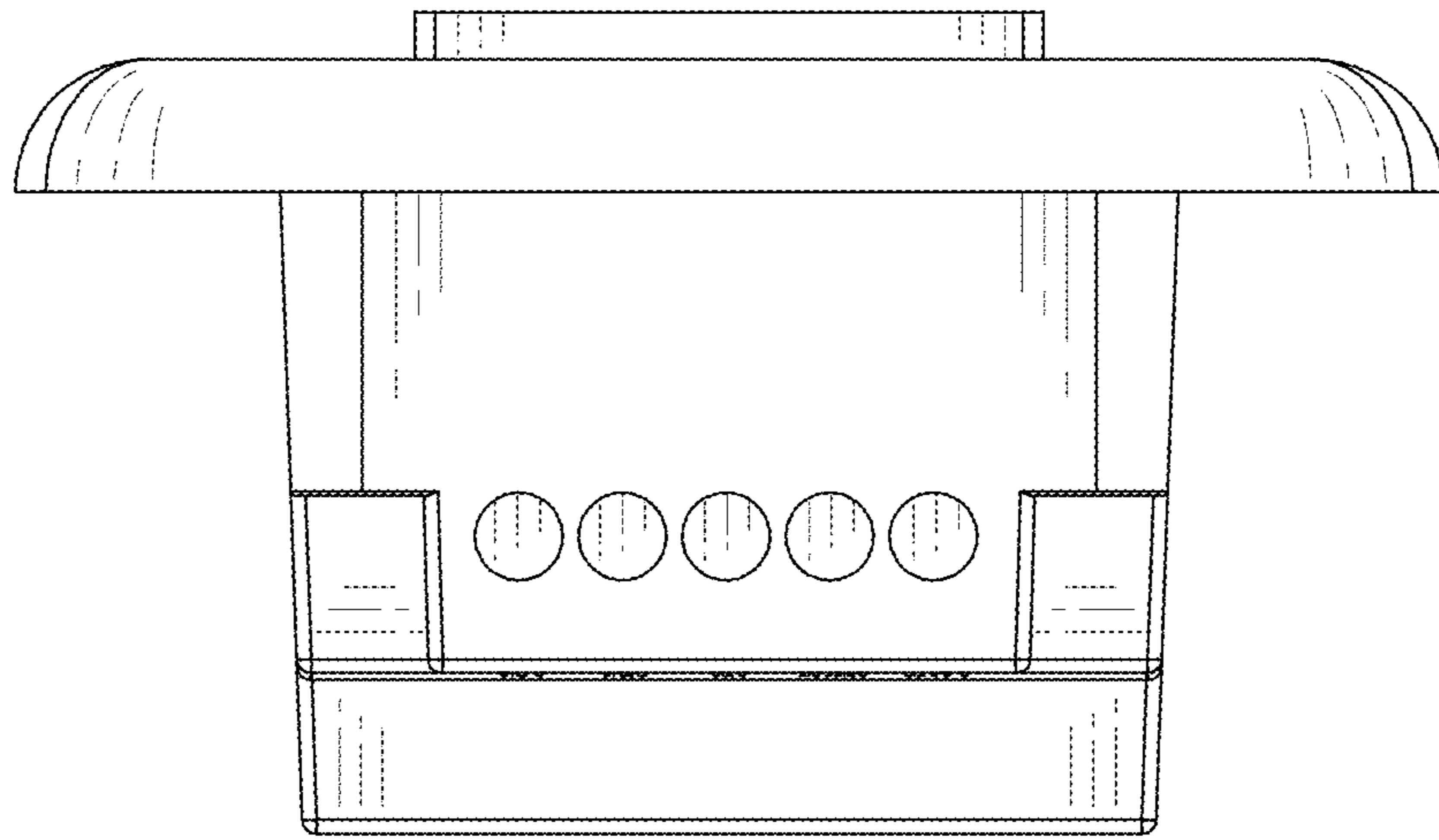


FIG. 7



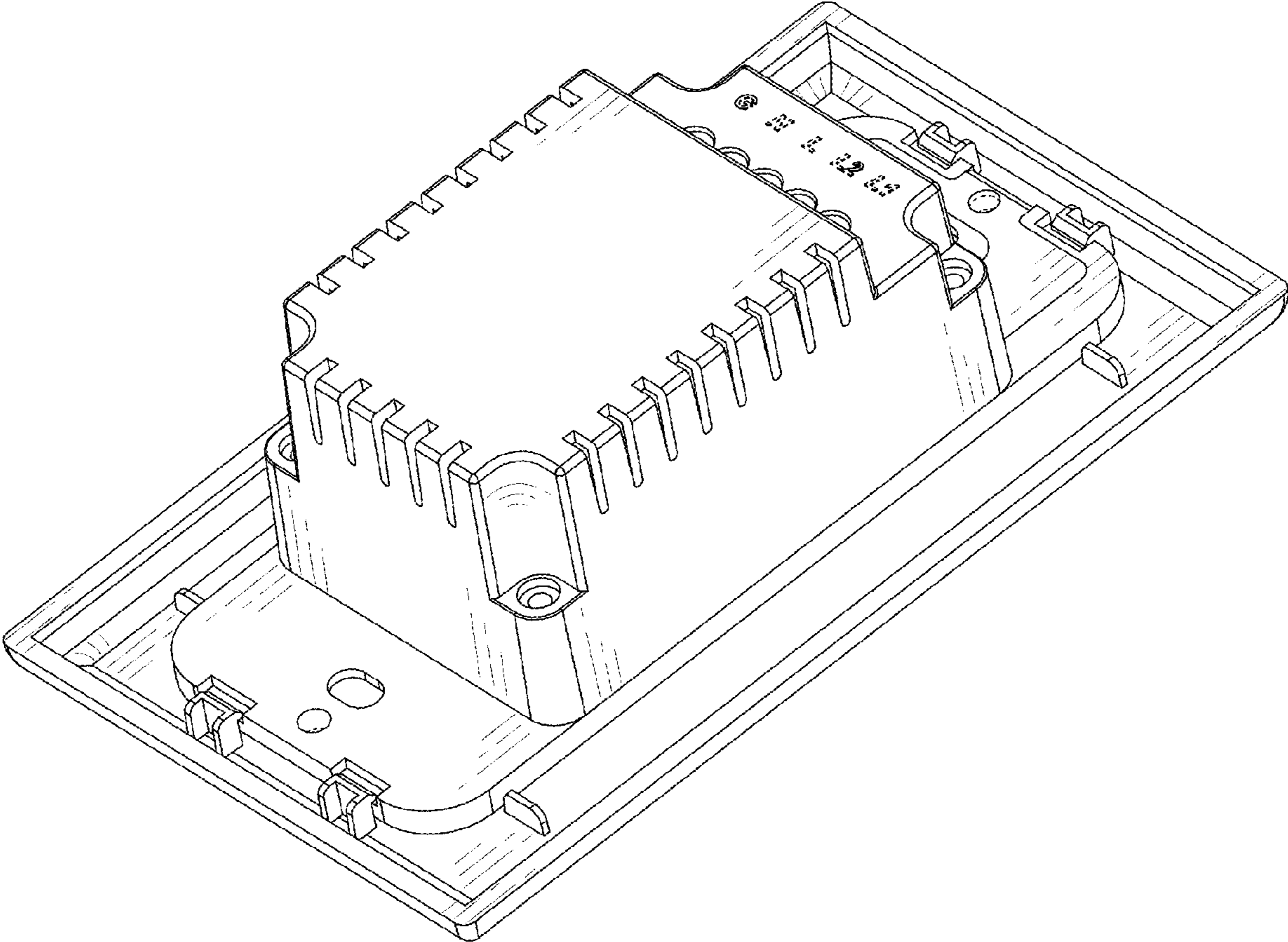


FIG. 8