



US00D911981S

(12) **United States Design Patent**
Varale

(10) **Patent No.:** **US D911,981 S**

(45) **Date of Patent:** **** Mar. 2, 2021**

(54) **SNAP-IN CABLE CLAMP**

(71) Applicant: **FI.MO.TEC. S.P.A.**, Milan (IT)

(72) Inventor: **Alberto Varale**, Cologno Monzese (IT)

(**) Term: **15 Years**

(21) Appl. No.: **29/658,967**

(22) Filed: **Aug. 3, 2018**

(51) **LOC (13) Cl.** **13-03**

(52) **U.S. Cl.**

USPC **D13/149**; D8/396

(58) **Field of Classification Search**

USPC D13/107, 108, 109, 110, 137.1–137.4,
D13/138.1–138.2, 139.1–139.8, 149–157,
D13/199, 133; D8/350, 353–356, 396;
D14/432, 433, 435.1

CPC H01R 25/00; H01R 25/006; H01R 25/003;
H01R 11/00; H01R 9/00; H01R 13/5845;
H01R 13/72; H01R 31/06; H01R 24/28;
H01R 13/46; H02J 2007/0062; H01B
7/2806; F16B 15/00; F16L 3/10

See application file for complete search history.

(56) **References Cited**

U.S. PATENT DOCUMENTS

3,944,177	A *	3/1976	Yoda	F16L 3/08 248/74.2
D409,895	S *	5/1999	Schron, Jr.	D8/349
D565,389	S *	4/2008	Harmon	D8/356
D569,712	S *	5/2008	Young, IV	D13/154
D569,801	S *	5/2008	Chuang	D13/133
8,439,316	B2 *	5/2013	Feige	F16L 3/13 248/71
D848,430	S *	5/2019	Bragg	D14/433
10,415,723	B2 *	9/2019	Vaccaro	F16L 3/00
D876,207	S *	2/2020	Elliott	D8/356
D876,933	S *	3/2020	Elliott	D8/356

D879,782	S *	3/2020	Bell	D14/433
D879,784	S *	3/2020	Bell	D14/433
2003/0089828	A1 *	5/2003	Korczak	F16B 37/02 248/68.1
2005/0217082	A1 *	10/2005	Vassiliou	F16B 5/0614 24/294
2009/0294602	A1 *	12/2009	Korczak	H02G 3/30 248/74.2
2011/0226913	A1 *	9/2011	Feige	F16L 3/12 248/74.2
2014/0175233	A1 *	6/2014	Han	H02G 3/32 248/74.1
2015/0083463	A1 *	3/2015	Dannenberg	H01B 17/24 174/156
2017/0122460	A1 *	5/2017	Joshi	F16L 3/222
2020/0041039	A1 *	2/2020	Varale	H02G 3/32

* cited by examiner

Primary Examiner — Christy Nemeth

(74) *Attorney, Agent, or Firm* — Themis Law

(57) **CLAIM**

The ornamental design for a snap-in cable clamp, as shown and described.

DESCRIPTION

FIG. 1 is a top perspective view of a snap-in cable clamp showing my new design;

FIG. 2 is a bottom perspective thereof;

FIG. 3 is a top plan view thereof;

FIG. 4 is a front elevational view thereof, the rear elevational view being a mirror image;

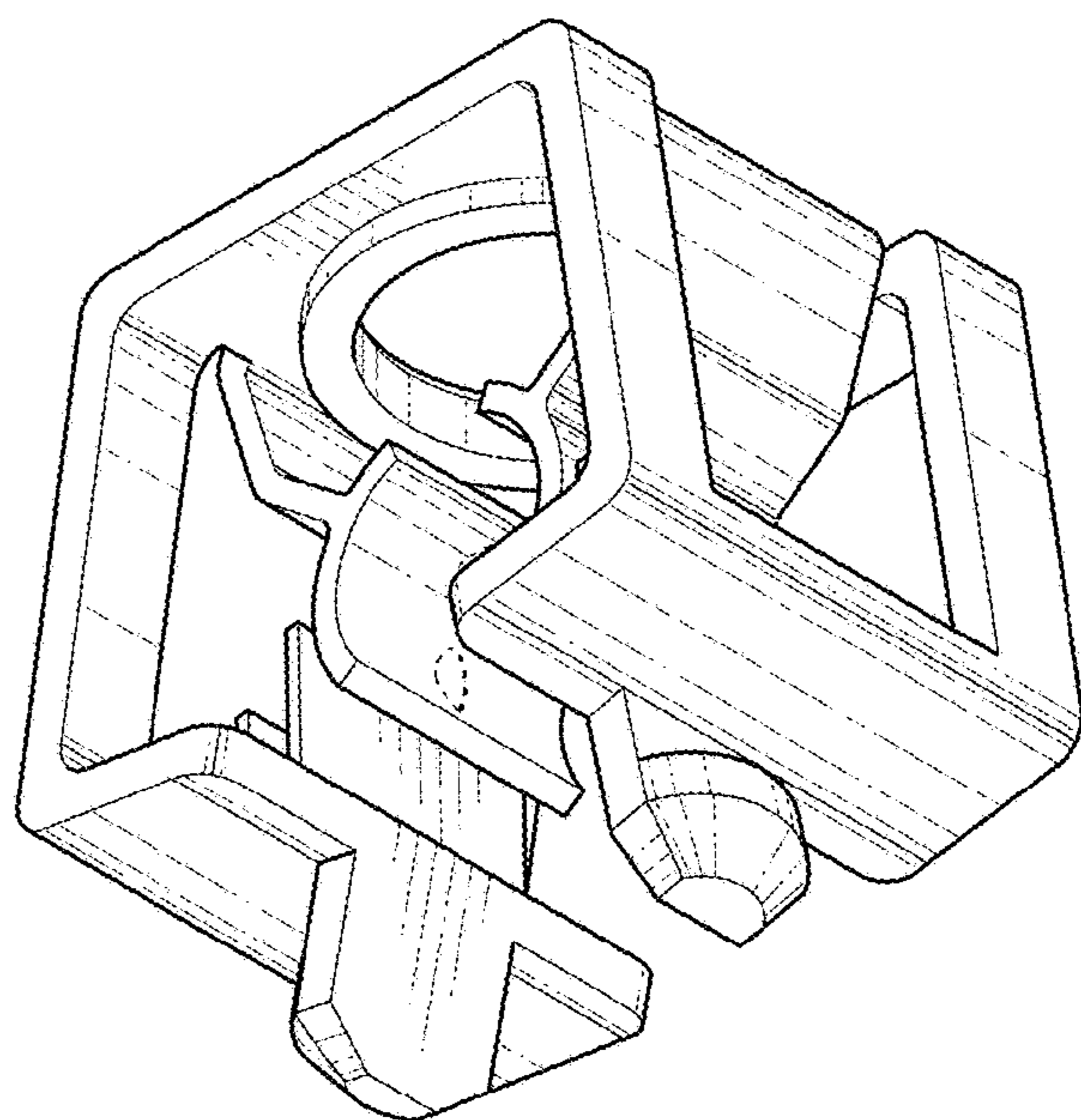
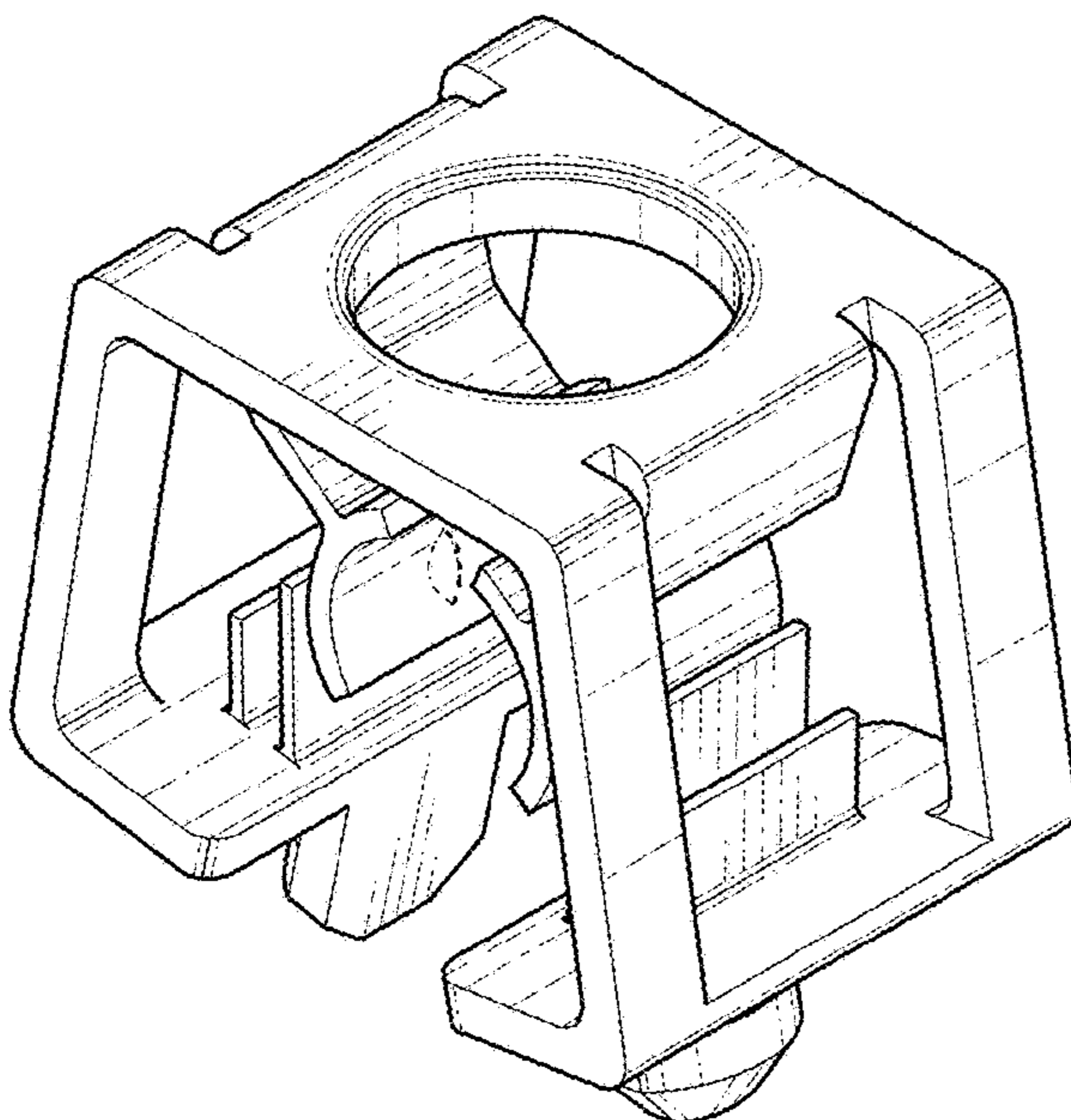
FIG. 5 is bottom plan view thereof;

FIG. 6 is a left side elevational view thereof; and,

FIG. 7 is a right side elevational view thereof.

The broken lines in the drawings are for the purpose of illustrating portions of the article that form no part of the claimed design.

1 Claim, 3 Drawing Sheets



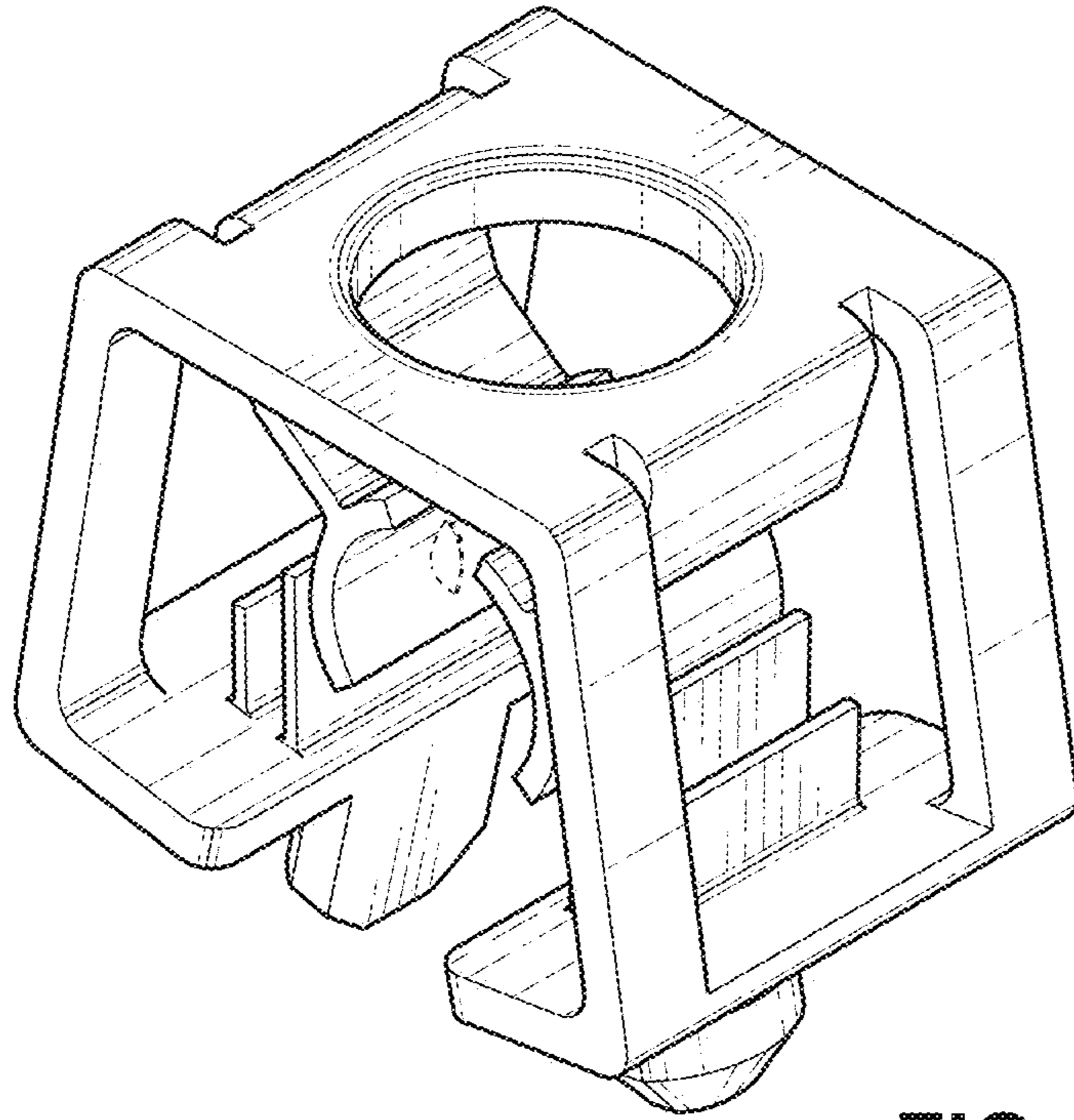


FIG. 1

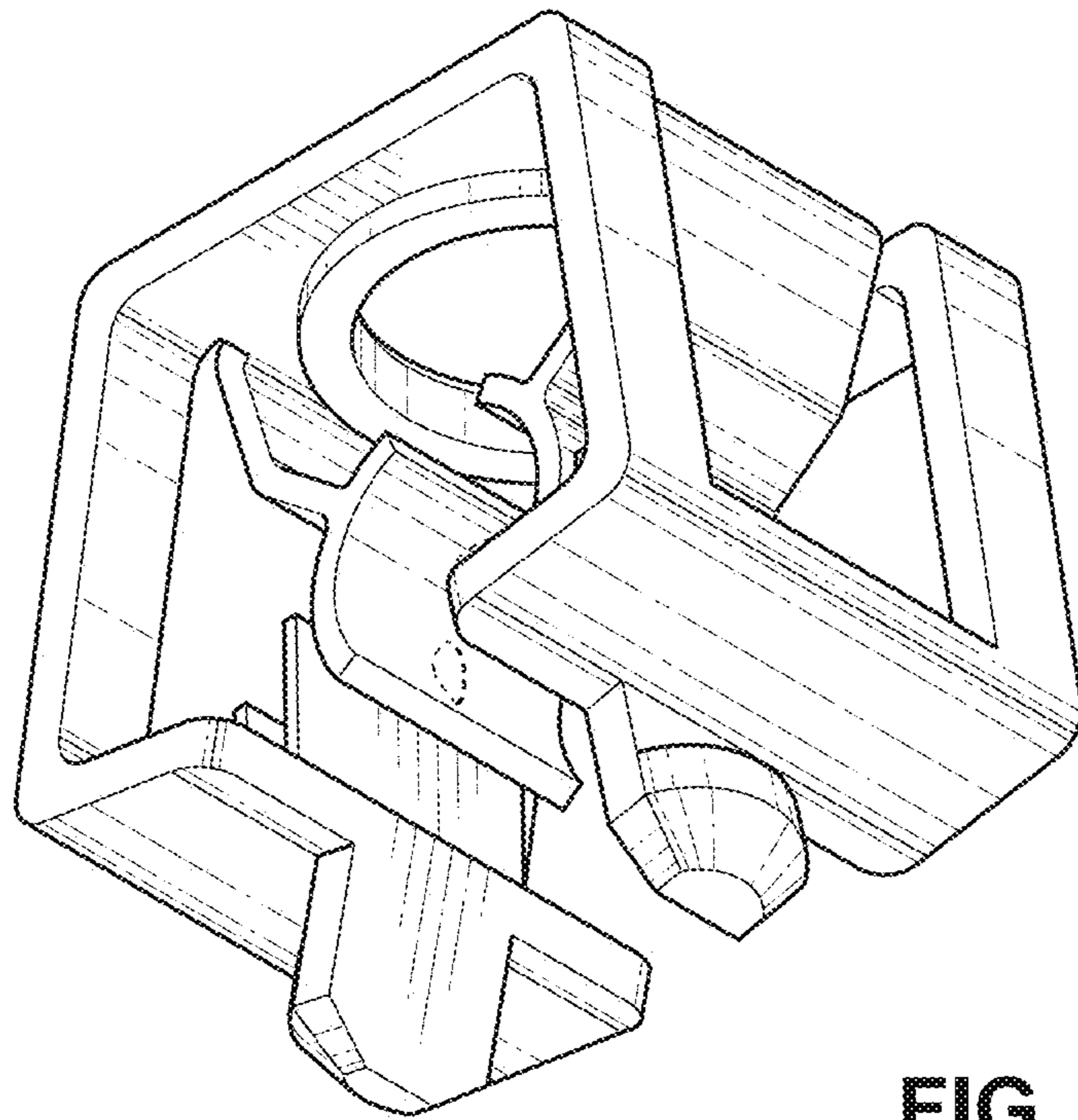


FIG. 2

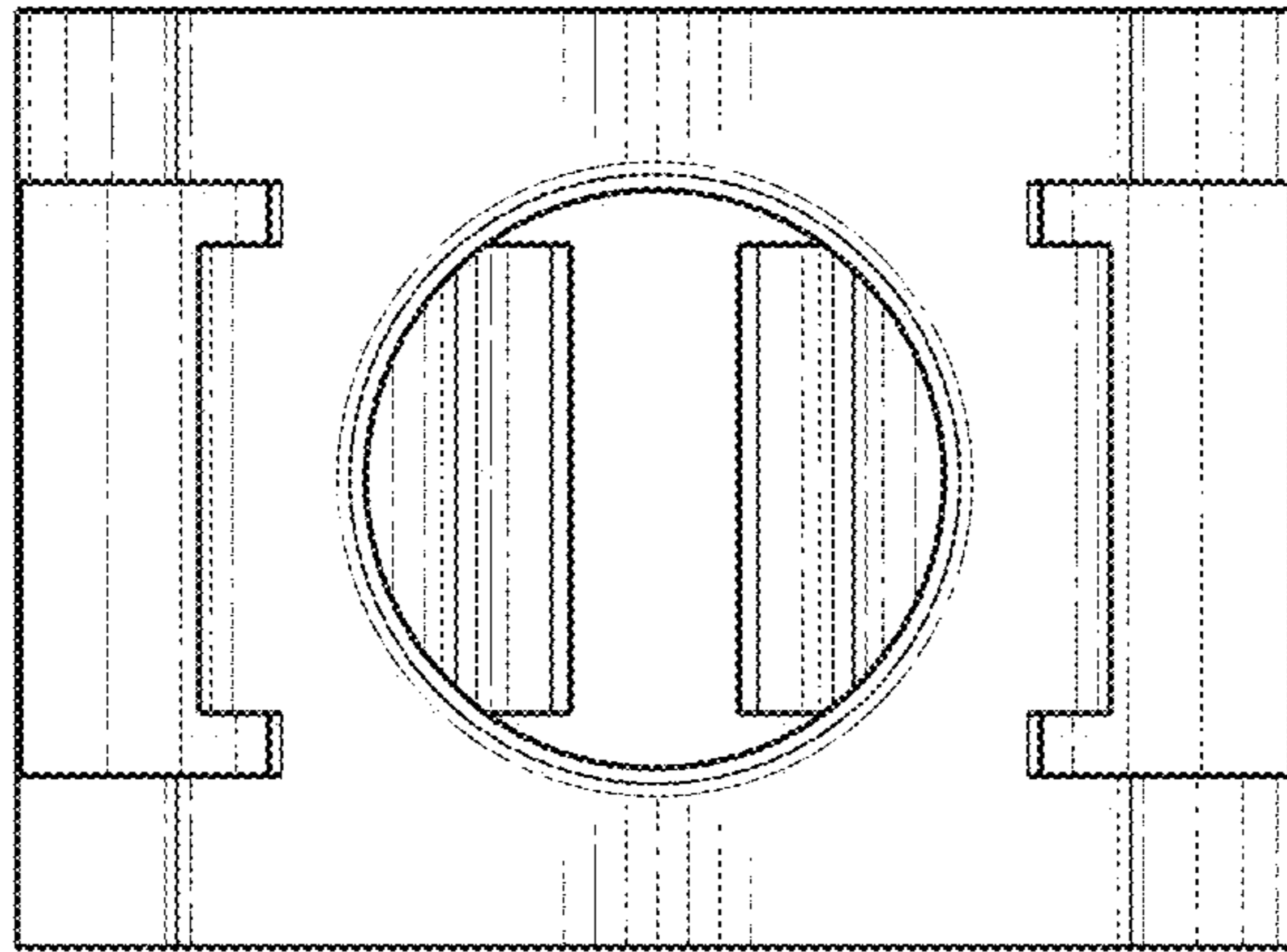


FIG. 3

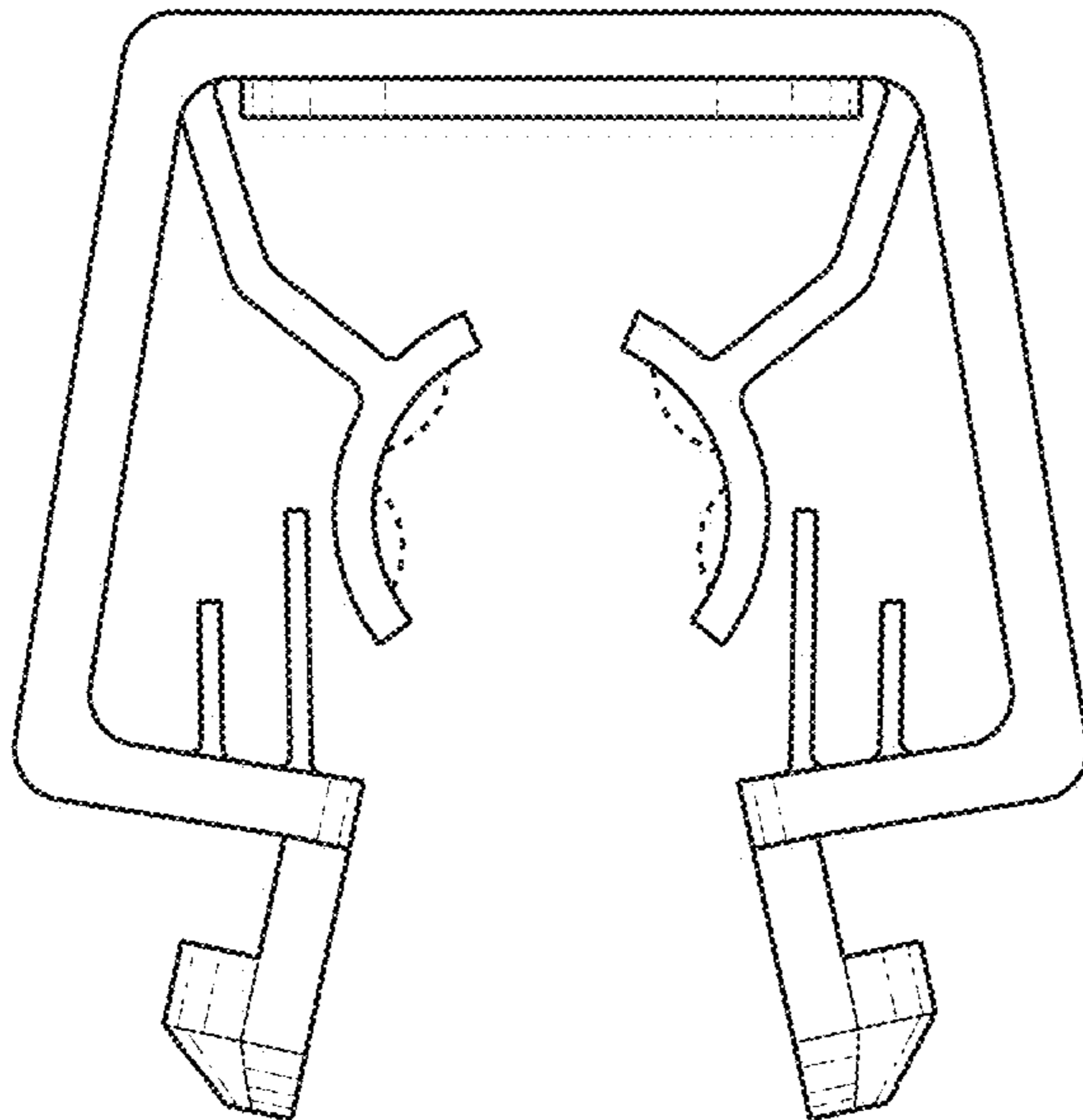


FIG. 4

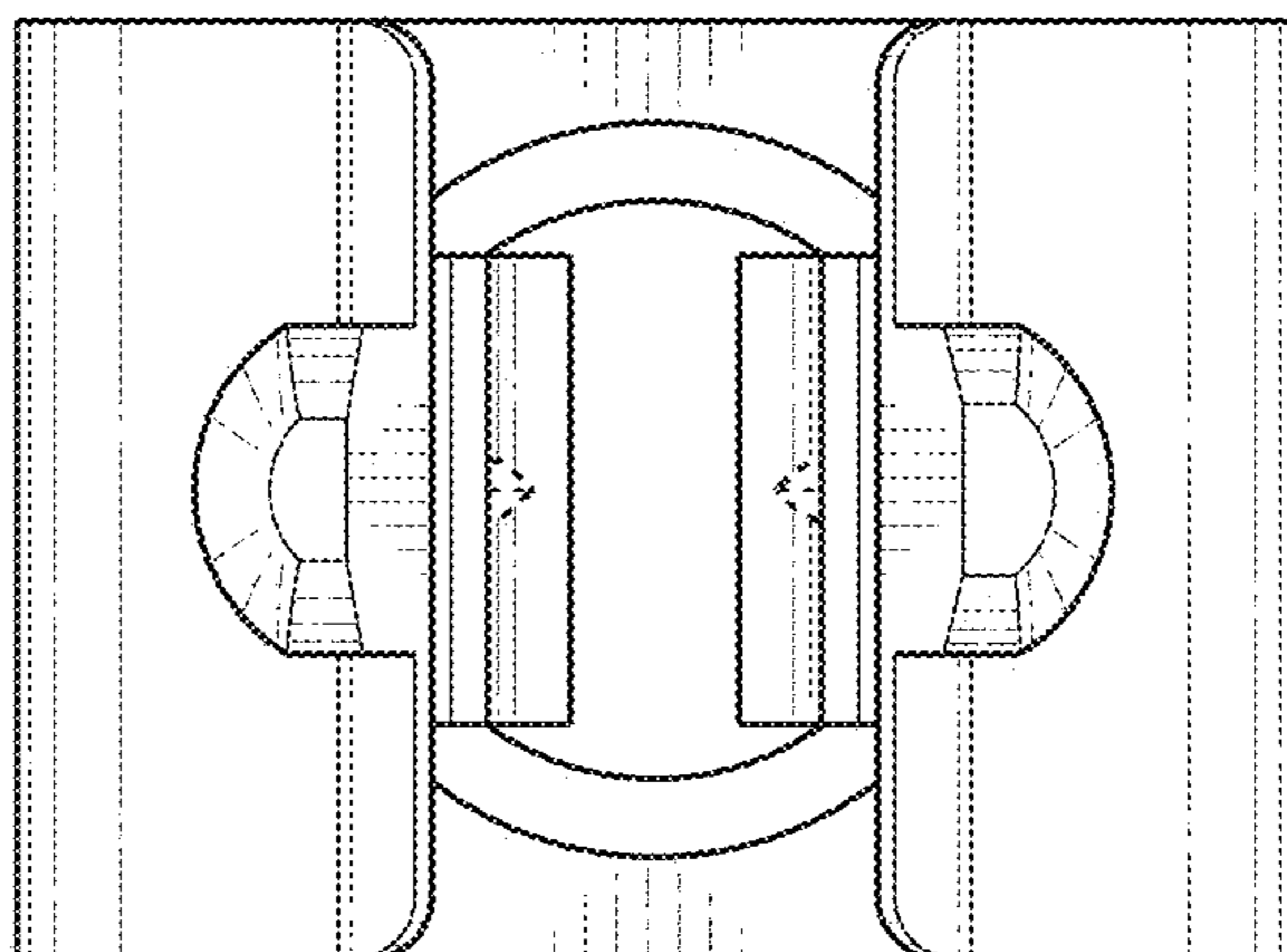


FIG. 5

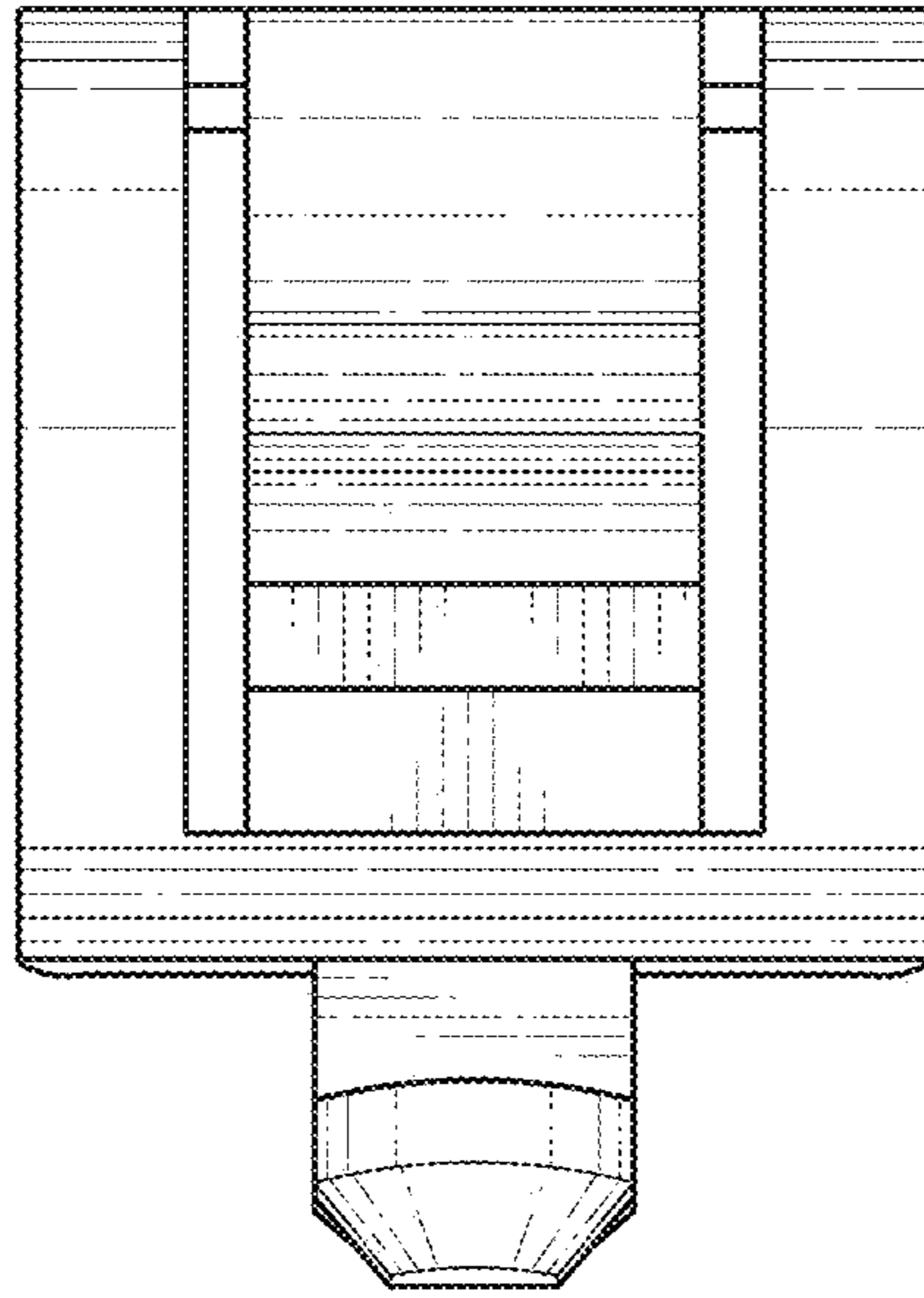


FIG. 6

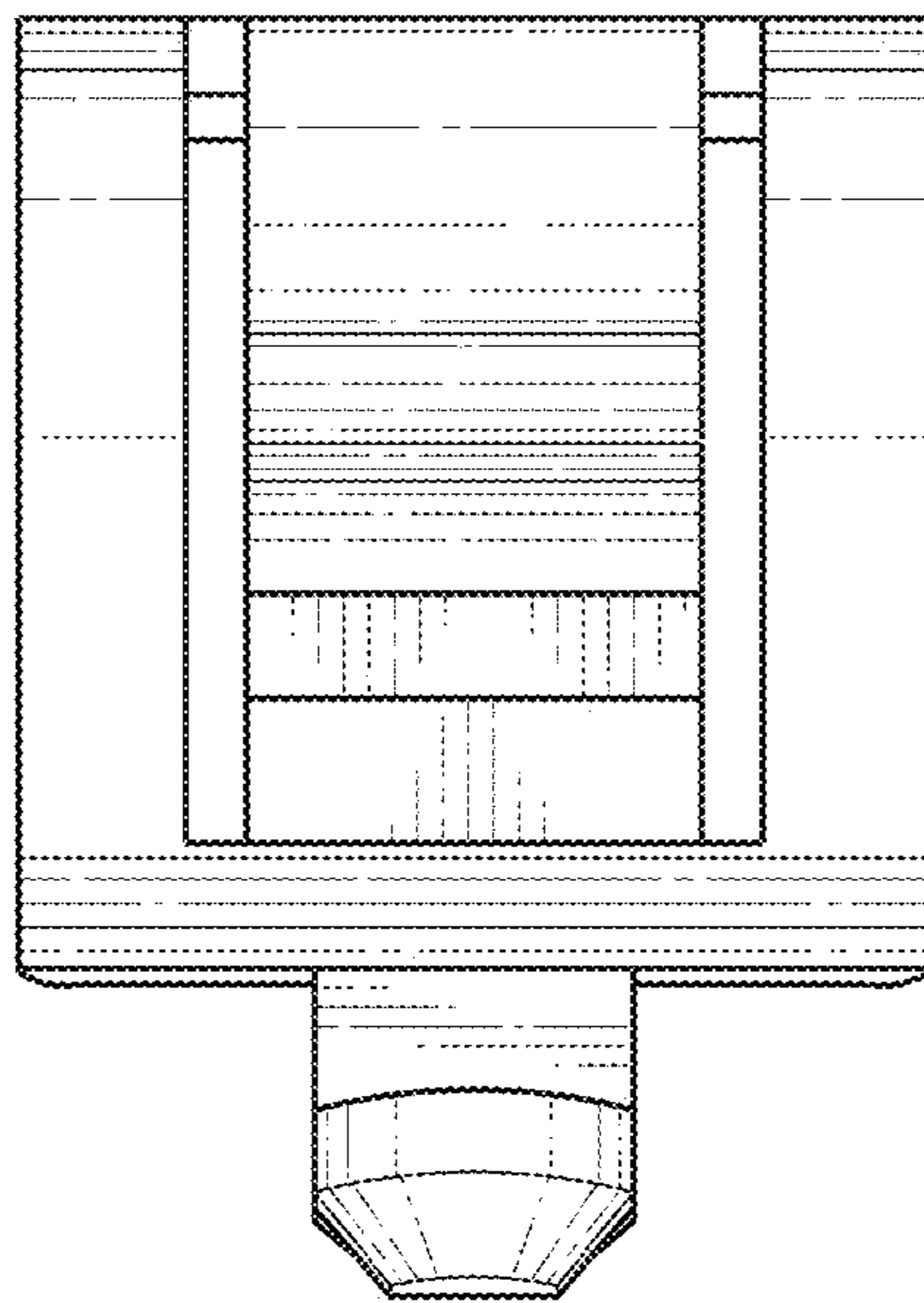


FIG. 7