



US00D911979S

(12) **United States Design Patent**
Ueda

(10) **Patent No.:** **US D911,979 S**
(45) **Date of Patent:** **** Mar. 2, 2021**

(54) **CONNECTOR**

(71) Applicant: **Japan Aviation Electronics Industry, Limited**, Tokyo (JP)

(72) Inventor: **Kouhei Ueda**, Tokyo (JP)

(73) Assignee: **JAPAN AVIATION ELECTRONICS INDUSTRY, LIMITED**, Tokyo (JP)

(**) Term: **15 Years**

(21) Appl. No.: **29/700,316**

(22) Filed: **Aug. 1, 2019**

(30) **Foreign Application Priority Data**

Mar. 11, 2019 (JP) 2019-005002

(51) **LOC (13) Cl.** **13-03**

(52) **U.S. Cl.**
USPC **D13/147**

(58) **Field of Classification Search**

USPC D13/147, 146, 133, 154, 118, 110, 101,
D13/123, 184, 199, 153, 155, 156;
D14/356, 433, 432, 435.1, 182, 435, 199,
D14/149

CPC H01R 24/60; H01R 24/70; H01R 13/5205;
H01R 13/5219; H01R 13/642; H01R
13/6471; H01R 13/6581; H01R 13/6582;
H01R 13/6591; H01R 13/6596

See application file for complete search history.

(56) **References Cited**

U.S. PATENT DOCUMENTS

D637,958 S * 5/2011 Asano D13/147
D706,716 S * 6/2014 Takahira D13/147
D744,430 S * 12/2015 Yokoyama D13/147
9,209,573 B1 * 12/2015 Chen H01R 24/60
D797,063 S * 9/2017 Tsai D13/174
9,799,999 B1 * 10/2017 Tsai H01R 13/6585
D825,473 S * 8/2018 Kurosawa D13/147

D867,301 S * 11/2019 Saitou D13/147
10,651,605 B2 * 5/2020 Zhao H01R 13/6585
2014/0113497 A1 * 4/2014 Wang H01R 13/405
439/660
2016/0099526 A1 * 4/2016 Chen H01R 43/16
439/607.05
2016/0134055 A1 * 5/2016 Chen H01R 13/642
439/217

(Continued)

FOREIGN PATENT DOCUMENTS

KR 300913562.0000 * 12/2016

Primary Examiner — Susan Bennett Hattan

Assistant Examiner — Landon T Cassell

(74) *Attorney, Agent, or Firm* — Manabu Kanesaka

(57) **CLAIM**

The ornamental design for a connector, as shown and described.

DESCRIPTION

FIG. 1 is a front elevational view of a connector showing my new design;

FIG. 2 is a rear elevational view thereof;

FIG. 3 is a right side elevational view thereof;

FIG. 4 is a left side elevational view thereof;

FIG. 5 is a top plan view thereof;

FIG. 6 is a bottom plan view thereof;

FIG. 7 is a perspective view showing a front, top and right side thereof;

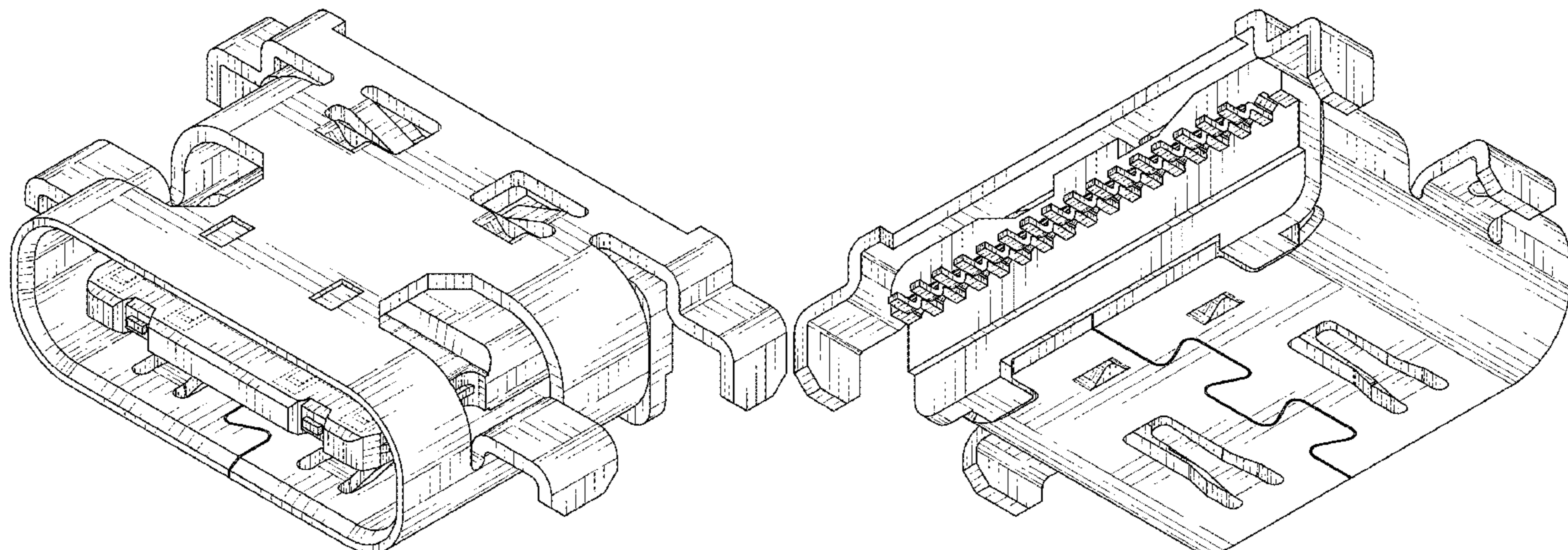
FIG. 8 is a perspective view showing a rear, bottom and left side thereof;

FIG. 9 is a perspective view showing a front, right and bottom side thereof; and,

FIG. 10 is a perspective view showing a rear, left and top side thereof.

The broken line showing of the connector is for the purpose of illustrating portions of the article and forms no part of the claimed design.

1 Claim, 5 Drawing Sheets



(56)

References Cited

U.S. PATENT DOCUMENTS

2016/0181743 A1* 6/2016 Tsai H01R 13/5202
439/587
2016/0294130 A1* 10/2016 Guo H01R 24/60
2017/0047687 A1* 2/2017 Yao H01R 12/724
2017/0085017 A1* 3/2017 Chen H01R 24/60
2017/0338576 A1* 11/2017 Sato H01R 12/721
2017/0373444 A1* 12/2017 Hu H01R 13/6582
2018/0076581 A1* 3/2018 Tsai H01R 24/60
2018/0226740 A1* 8/2018 Sato H01R 13/405
2018/0351287 A1* 12/2018 Zhao H01R 13/52
2019/0089095 A1* 3/2019 Toda H01R 13/6461
2019/0109415 A1* 4/2019 Naito H01R 13/6581
2019/0288465 A1* 9/2019 Little H01R 13/6581
2019/0312393 A1* 10/2019 Zhao H01R 31/08
2019/0326693 A1* 10/2019 Tsai H01R 13/642
2020/0136315 A1* 4/2020 Tanaka H01R 13/405
2020/0313331 A1* 10/2020 Oosaka H01R 13/26

* cited by examiner

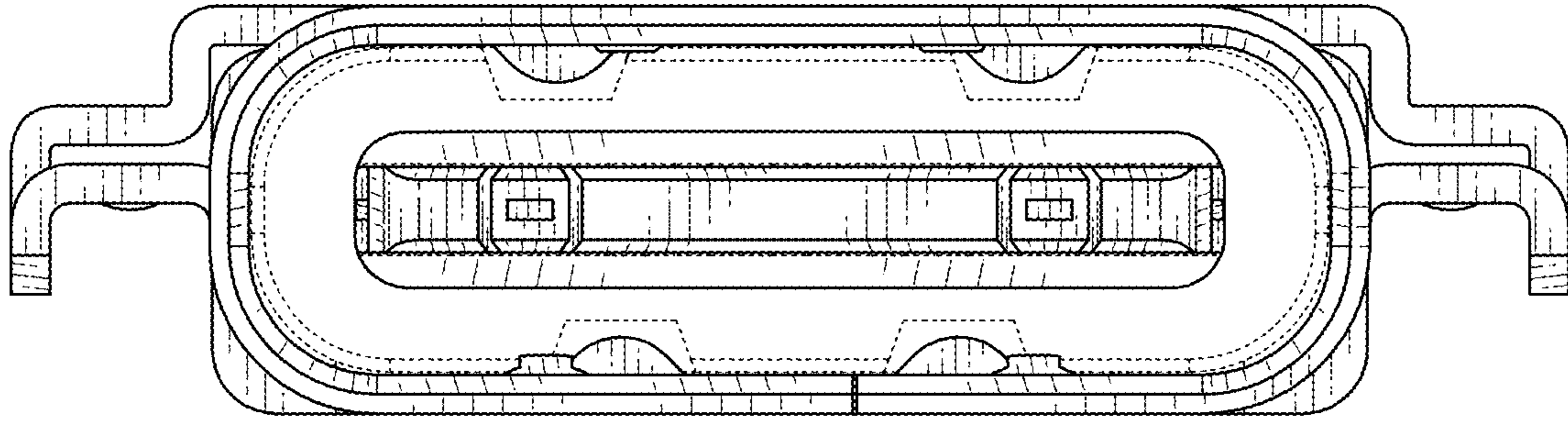


FIG. 1

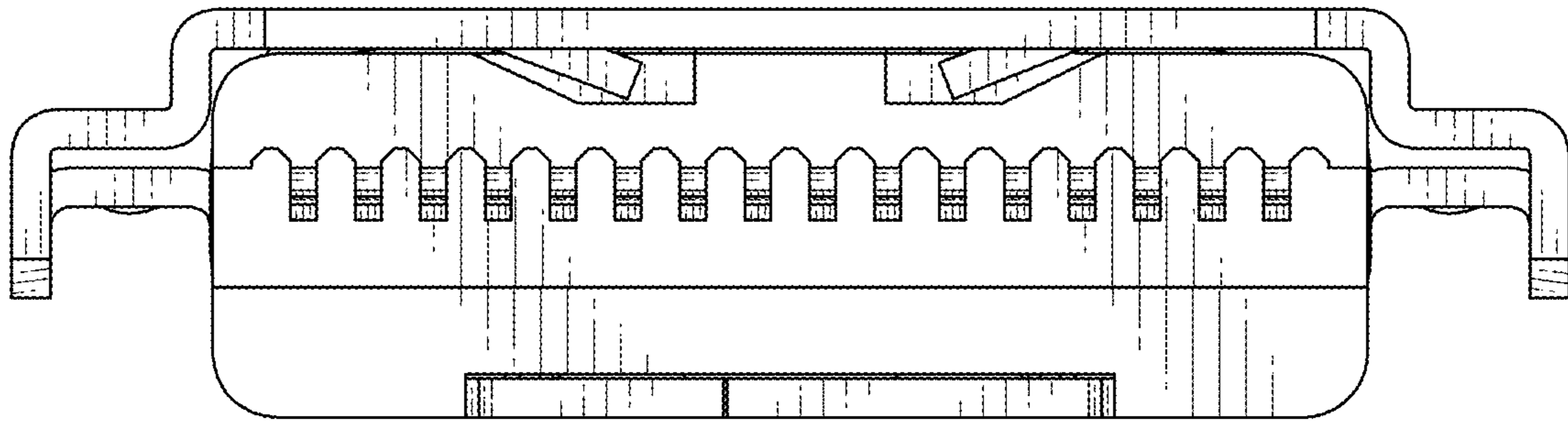


FIG. 2

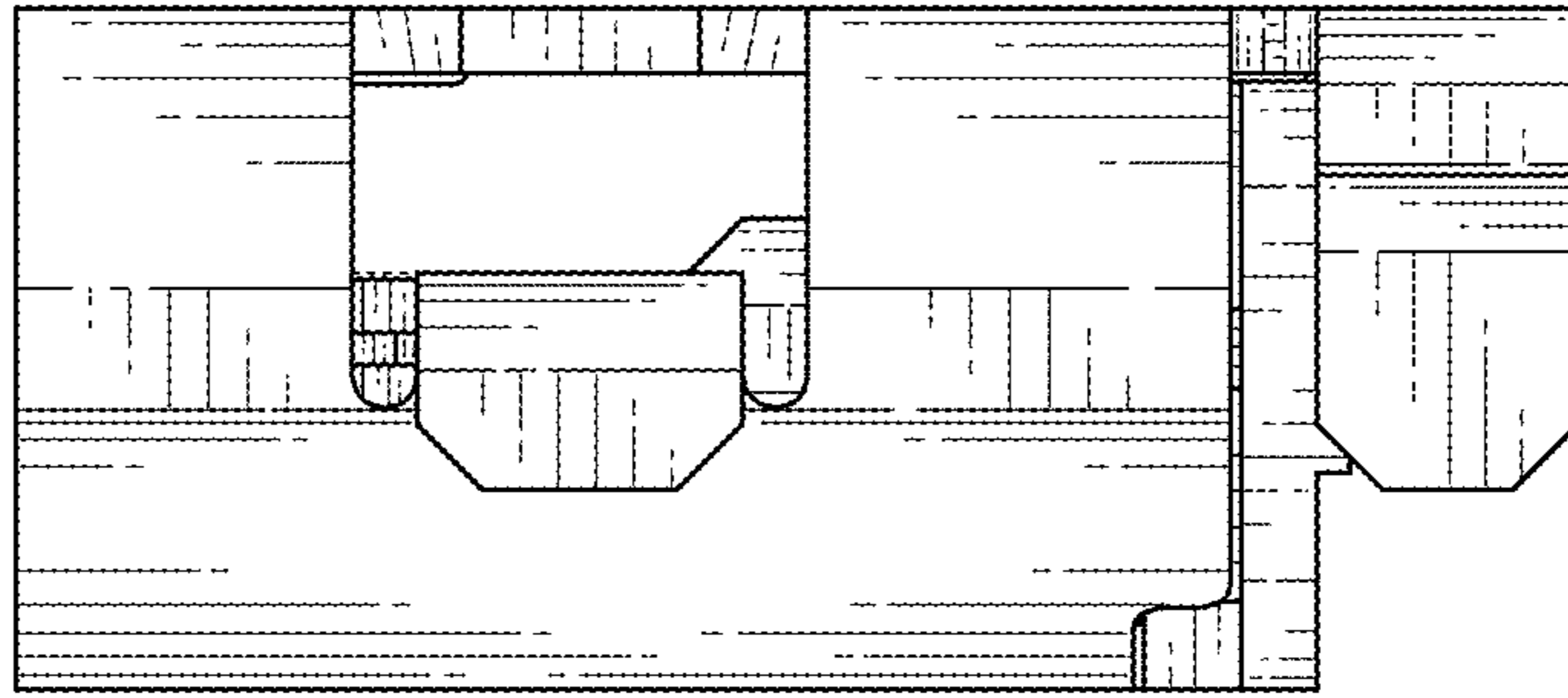


FIG. 3

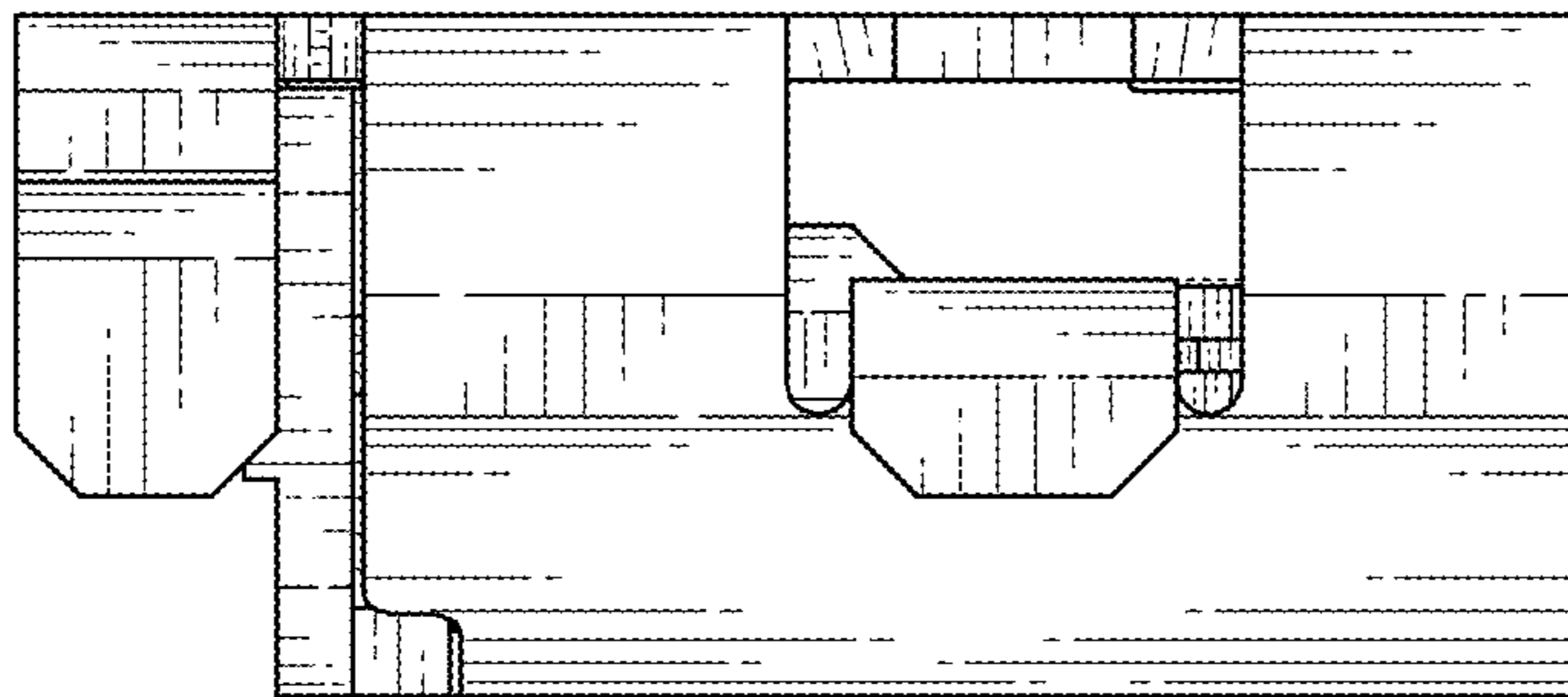


FIG. 4

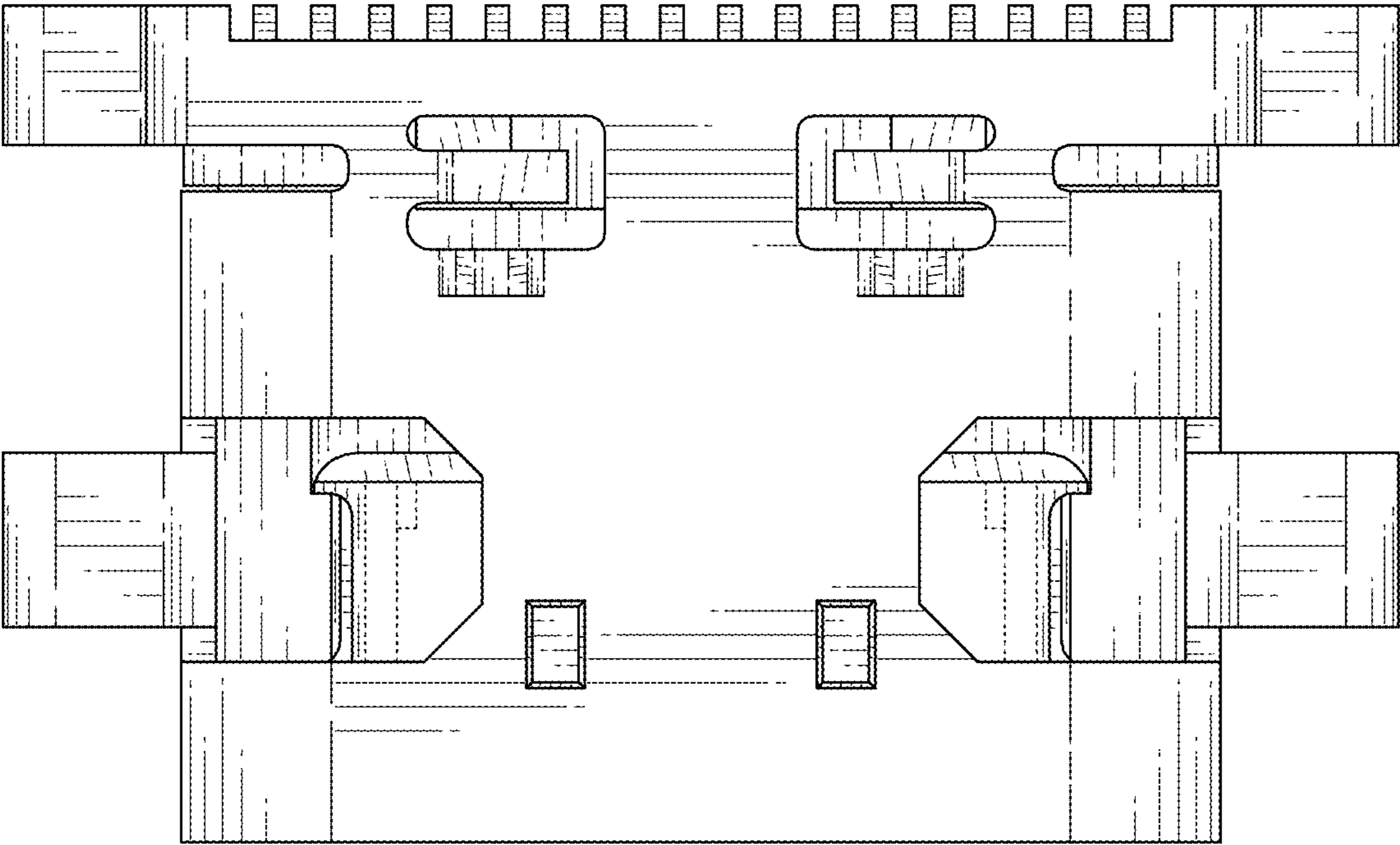


FIG. 5

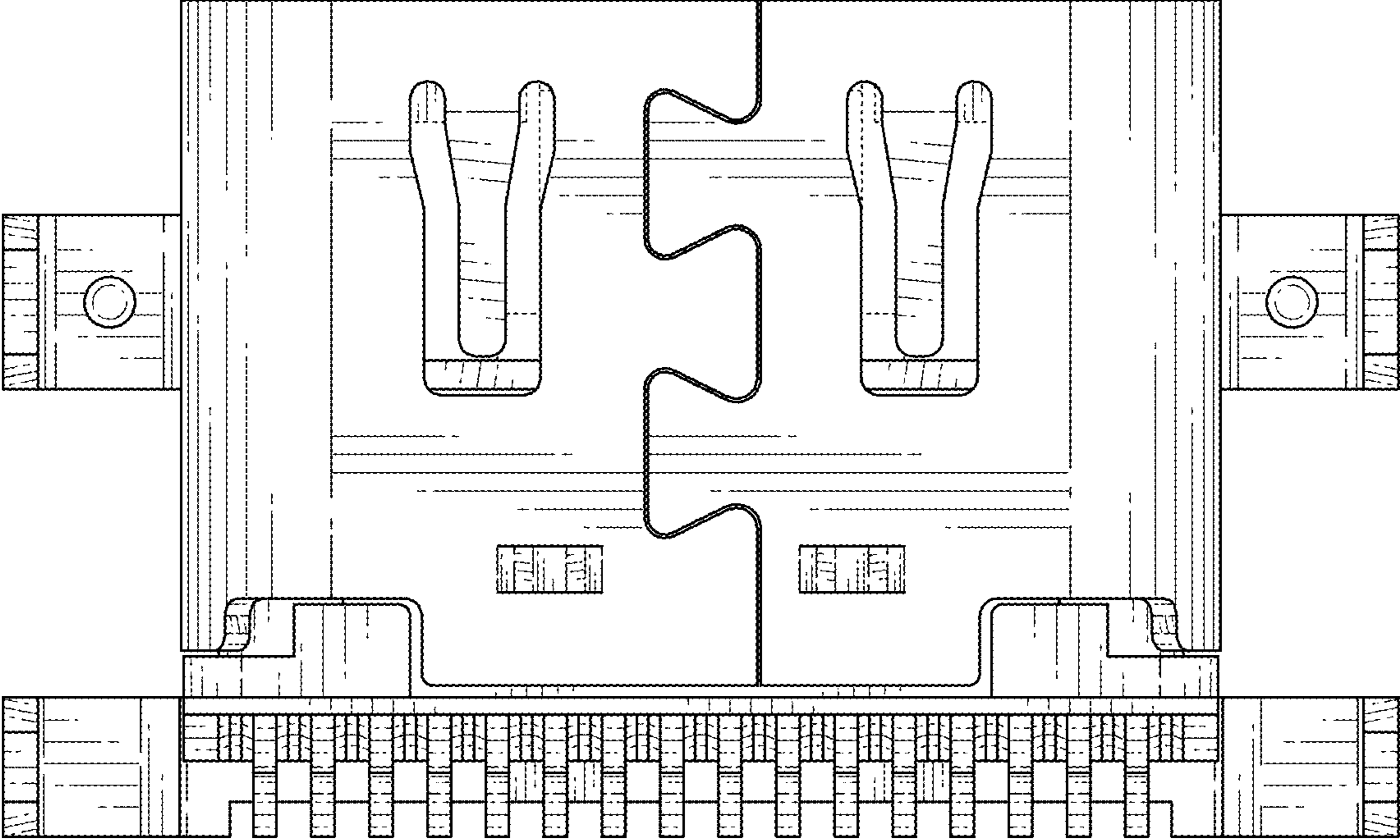


FIG. 6

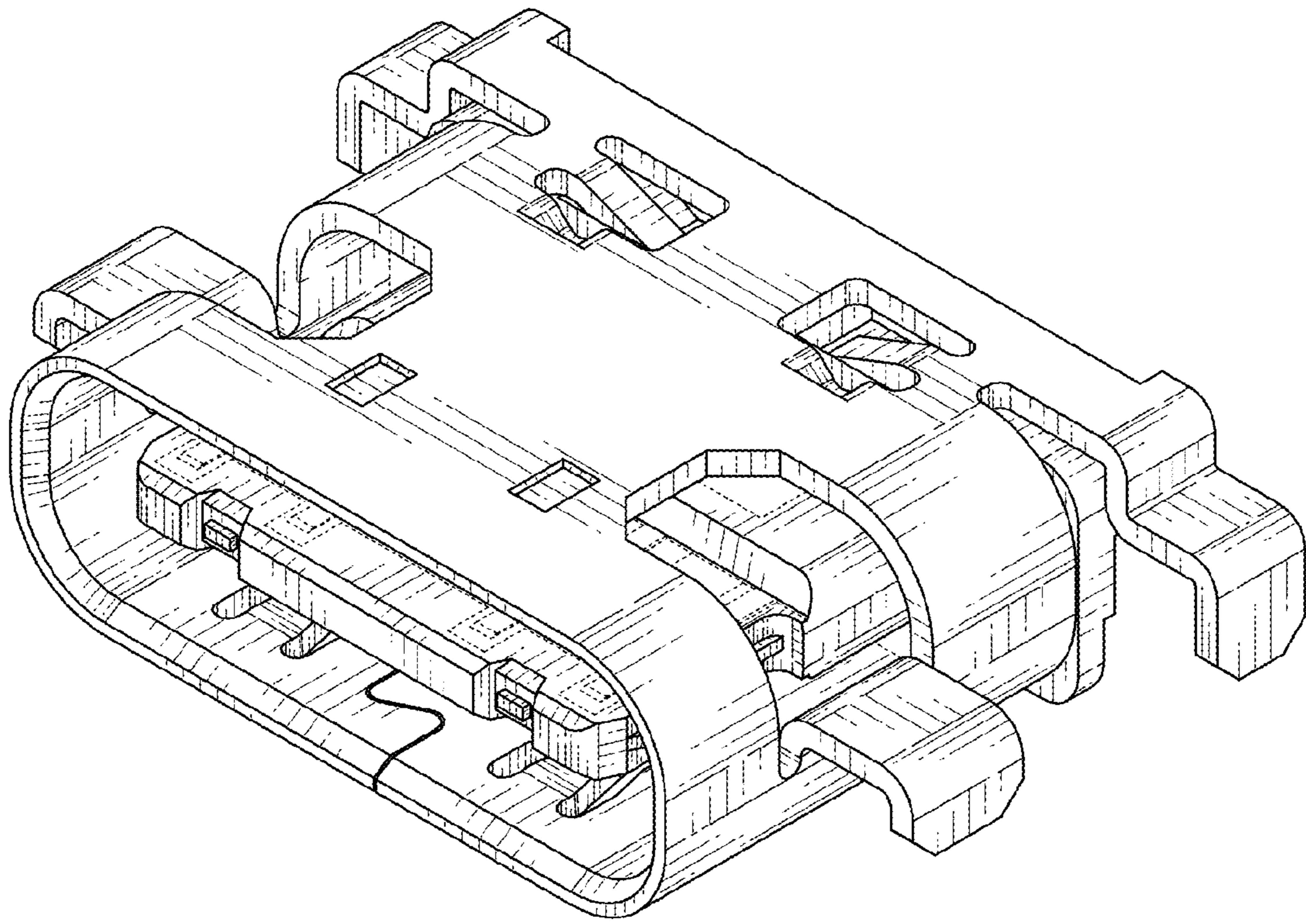


FIG. 7

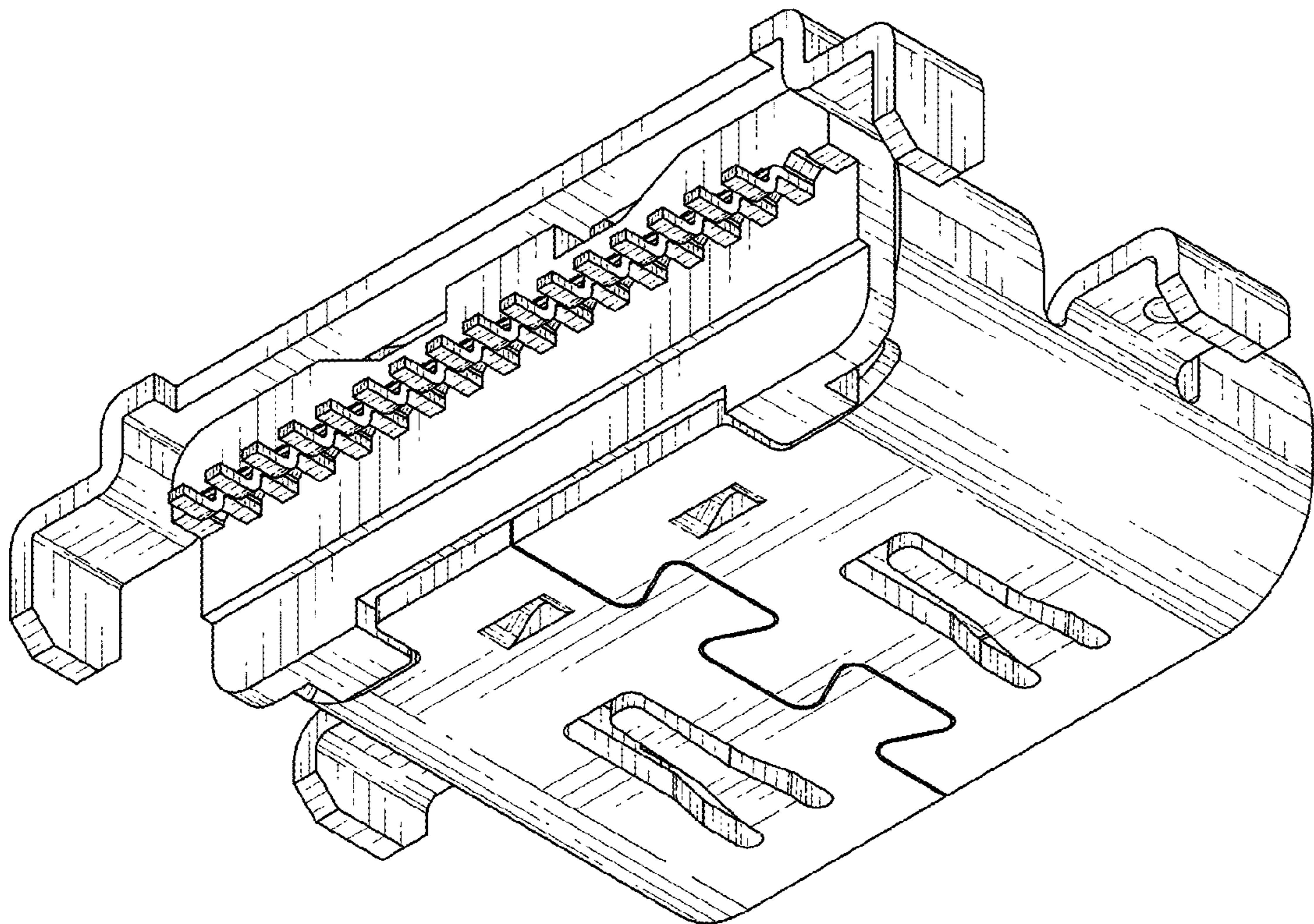


FIG. 8

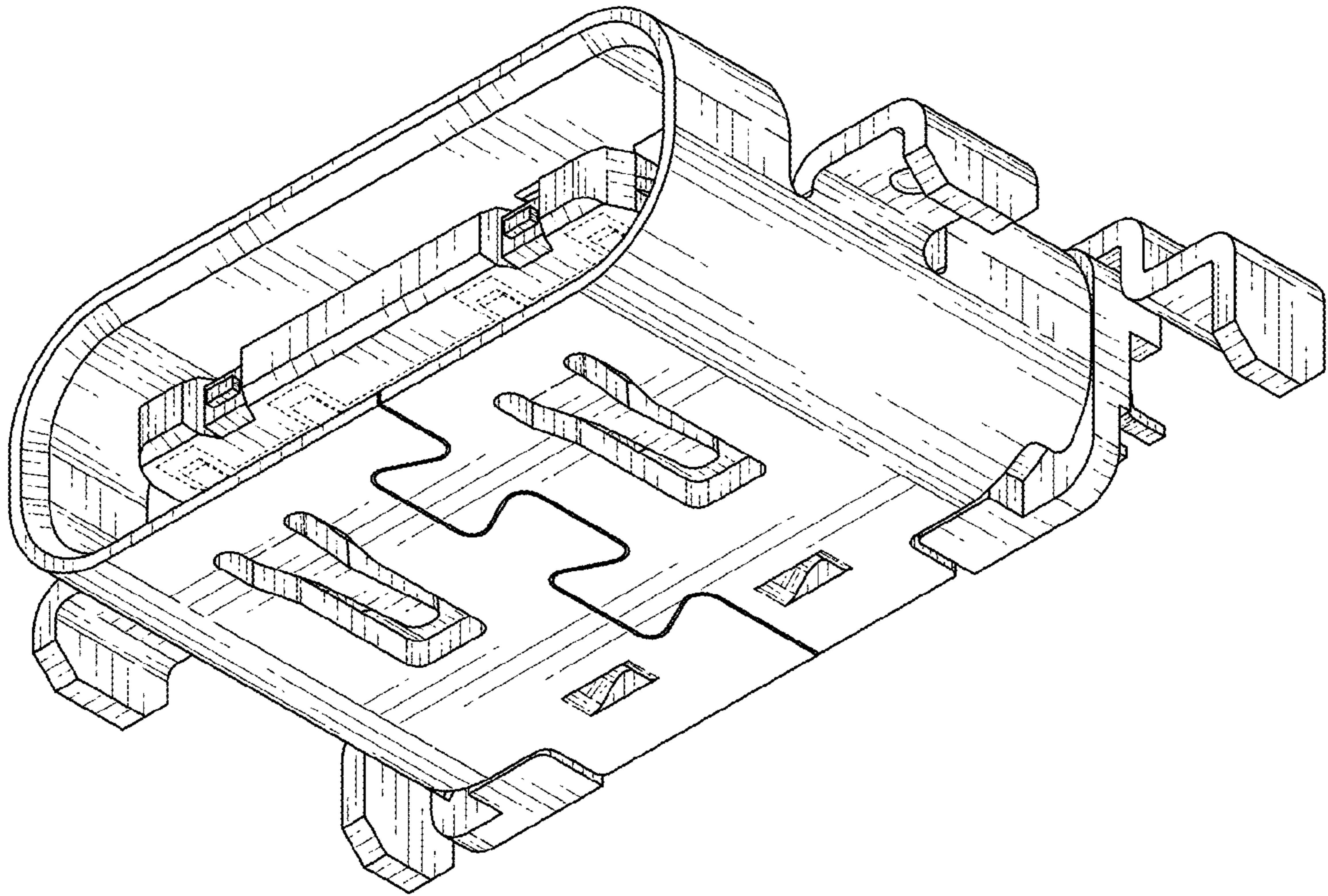


FIG. 9

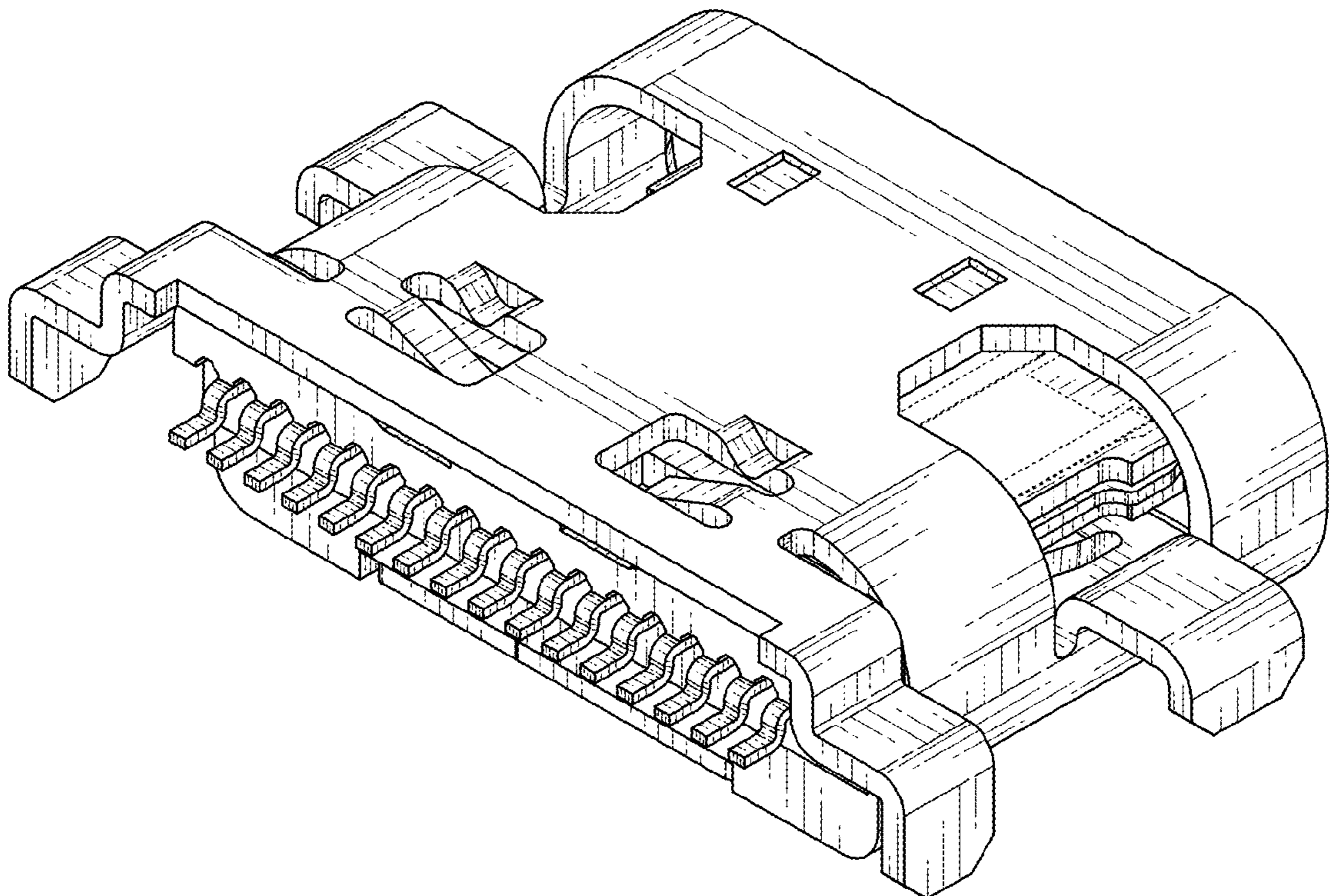


FIG. 10