



US00D911976S

(12) **United States Design Patent**
Obata et al.

(10) **Patent No.:** **US D911,976 S**
(45) **Date of Patent:** **** Mar. 2, 2021**

(54) **CONNECTOR**

FOREIGN PATENT DOCUMENTS

(71) Applicant: **Japan Aviation Electronics Industry, Limited**, Tokyo (JP)

JP 1609826 S 7/2018

(72) Inventors: **Yusuke Obata**, Tokyo (JP); **Hiroaki Obikane**, Tokyo (JP)

OTHER PUBLICATIONS

(73) Assignee: **JAPAN AVIATION ELECTRONICS INDUSTRY, LIMITED**, Tokyo (JP)

JAE Announces Launch of New Connector Line, Apr. 27, 2020, [online], [Site visited Sep. 30, 2020], Available from Internet URL: <https://www.jae.com/en/releases/detail/id=93029> (Year: 2020).*

(Continued)

(**) Term: **15 Years**

Primary Examiner — Janice Hallmark

(21) Appl. No.: **29/690,115**

Assistant Examiner — Landon Thomas Cassell

(22) Filed: **May 6, 2019**

(74) *Attorney, Agent, or Firm* — Manabu Kanesaka

(30) **Foreign Application Priority Data**

(57) **CLAIM**

Nov. 20, 2018 (JP) 2018-025320

The ornamental design for a connector, as shown and described.

(51) **LOC (13) Cl.** **13-03**

(52) **U.S. Cl.**
USPC **D13/147**

DESCRIPTION

(58) **Field of Classification Search**

USPC D13/103, 107, 118, 120, 133, 137.1, D13/139.7, 146, 147, 151–158, 173, 177, D13/184, 199; D14/217, 238.1, 240, 242, D14/432, 433, 434, 435.1, 436, 438, 439, D14/448, 479, 480.1, 480.5, 480.7, 484.1; D16/219, 237
CPC B60R 16/0239; B60R 1/072; B60R 1/088; B60R 2001/1253; B60R 2300/802; H01B 7/18; H01R 2107/00; H01R 12/716; H01R 43/26

See application file for complete search history.

FIG. 1 is a front elevational view of a connector showing our new design;
FIG. 2 is a rear elevational view thereof;
FIG. 3 is a right side elevational view thereof;
FIG. 4 is a left side elevational view thereof;
FIG. 5 is a top plan view thereof;
FIG. 6 is a bottom plan view thereof;
FIG. 7 is a perspective view showing a front, top and right side thereof;
FIG. 8 is a perspective view showing a rear, bottom and left side thereof;
FIG. 9 is a perspective view showing a front, right and bottom side thereof; and,
FIG. 10 is a perspective view showing a rear, left and top side thereof.

The broken line showing of the connector is for the purpose of illustrating portions of the article and forms no part of the claimed design.

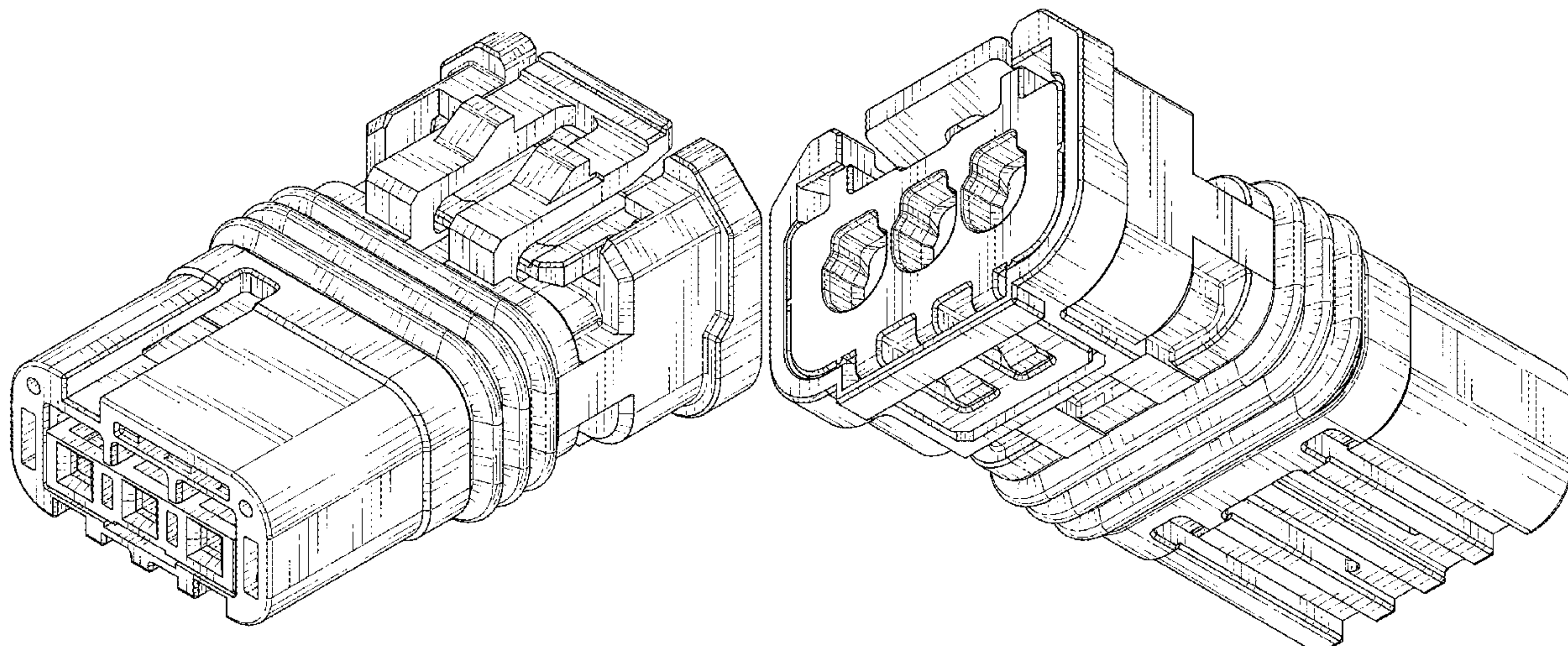
(56) **References Cited**

U.S. PATENT DOCUMENTS

D308,513 S * 6/1990 Endo D13/147
D311,379 S * 10/1990 Kuzuno D13/147
D312,815 S * 12/1990 Yamamoto D13/147
D322,956 S * 1/1992 Takenouchi D13/146

(Continued)

1 Claim, 5 Drawing Sheets



(56)

References Cited

U.S. PATENT DOCUMENTS

D324,206 S * 2/1992 Sueyoshi D13/147
D524,736 S * 7/2006 Morita D13/133
D524,751 S * 7/2006 Lee D13/147
D651,567 S * 1/2012 Hodge D13/133
D870,673 S * 12/2019 Obata D13/147
D873,777 S * 1/2020 Obata D13/147
D894,836 S * 9/2020 Obata D13/133
2006/0063414 A1 * 3/2006 Goto H01R 13/4361
439/298
2019/0305470 A1 * 10/2019 Sugimoto H01R 13/424
2019/0356076 A1 * 11/2019 Obata H01R 13/5208

OTHER PUBLICATIONS

Japan Patent Office, "Office Action for Japanese Design Application
No. 2018-025320," dated Apr. 26, 2019.

* cited by examiner

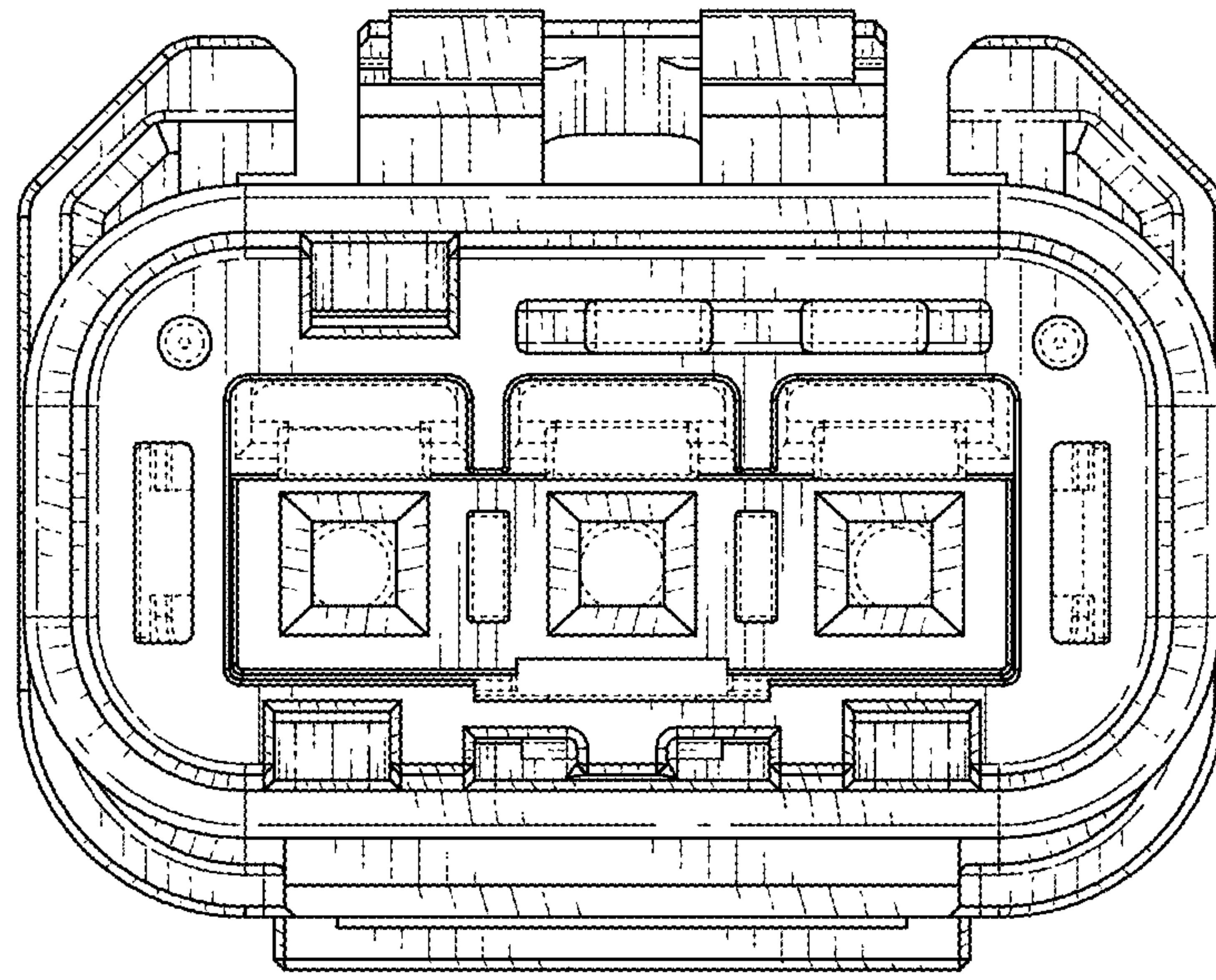


FIG. 1

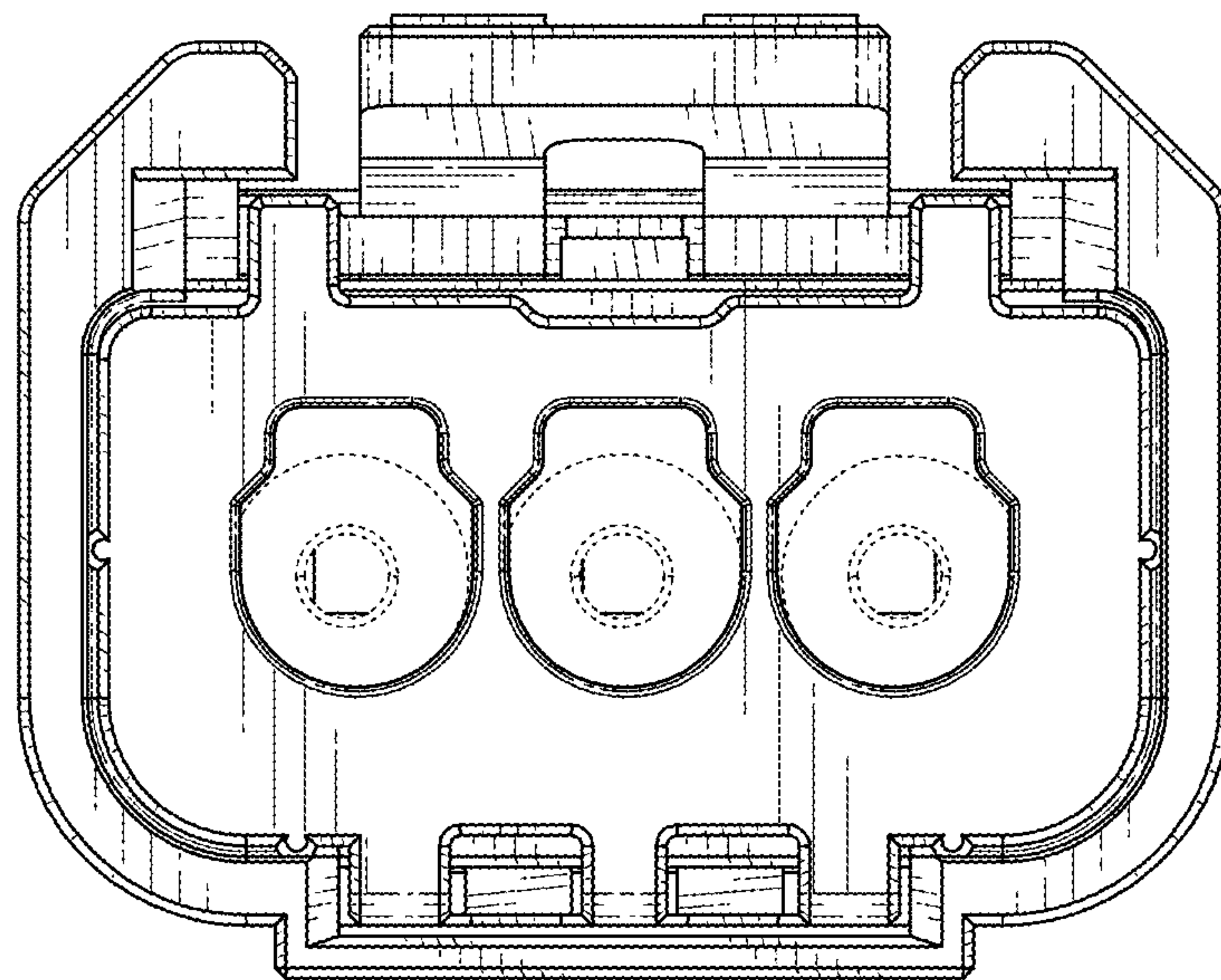


FIG. 2

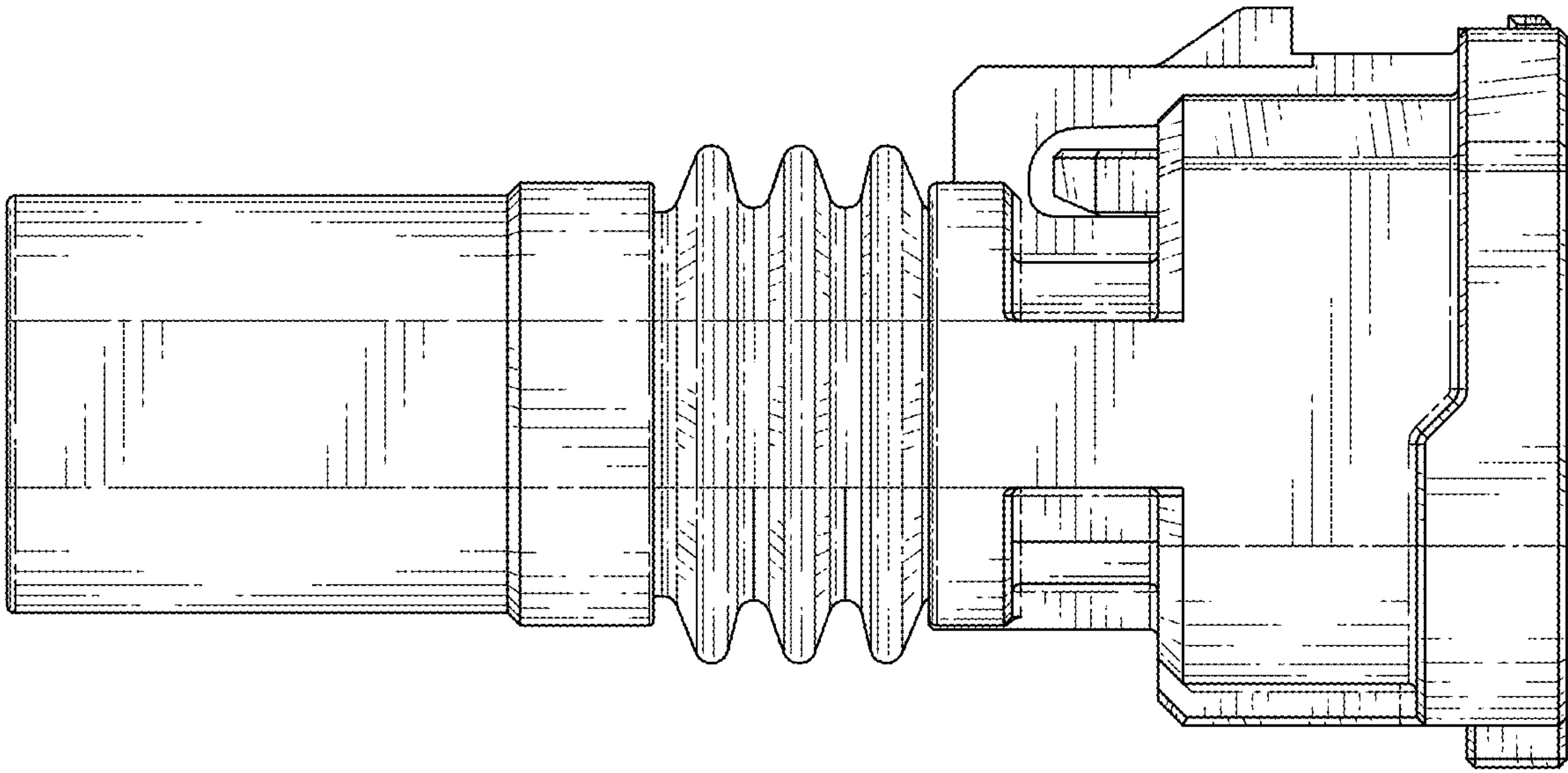


FIG. 3

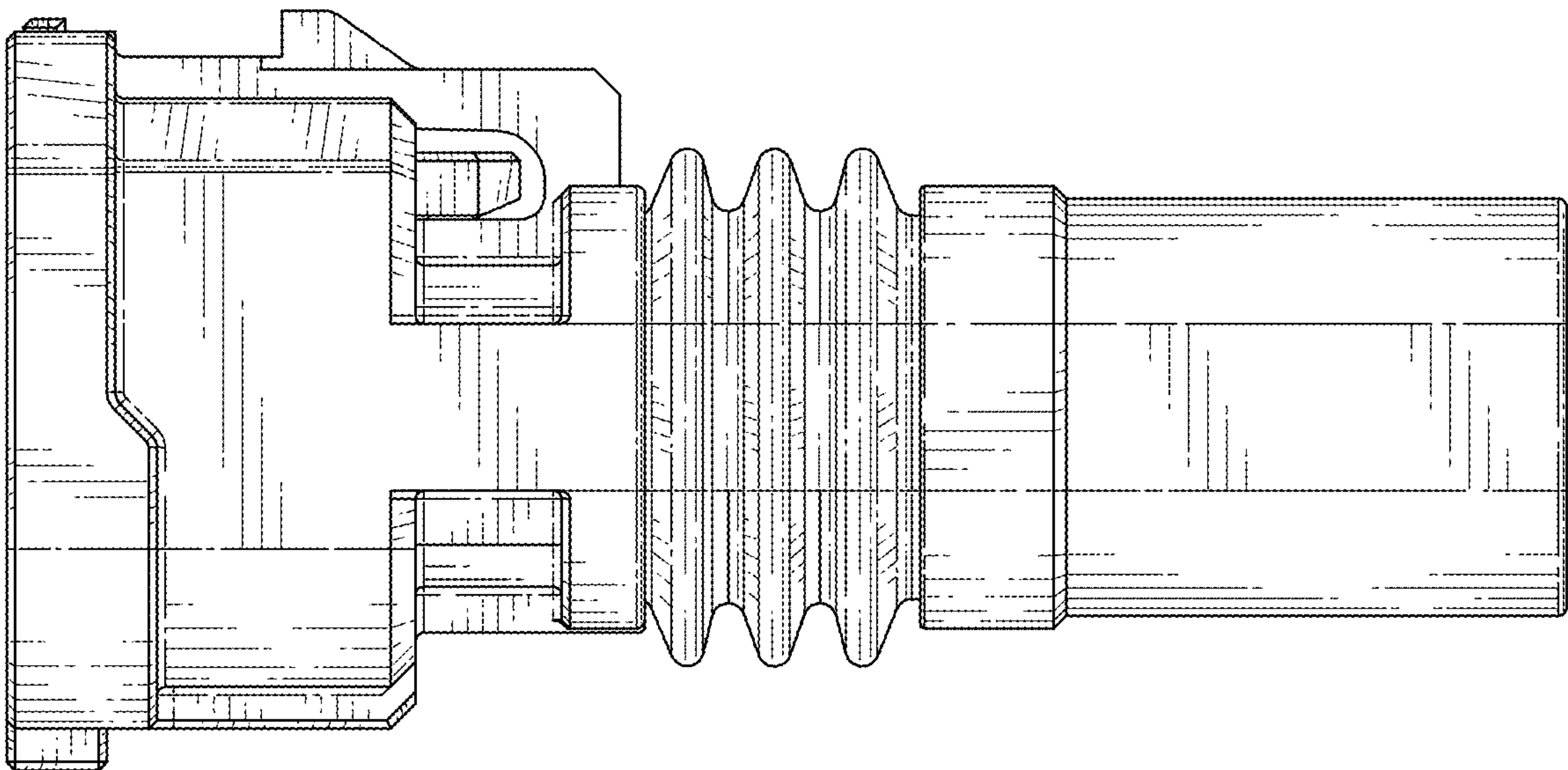


FIG. 4

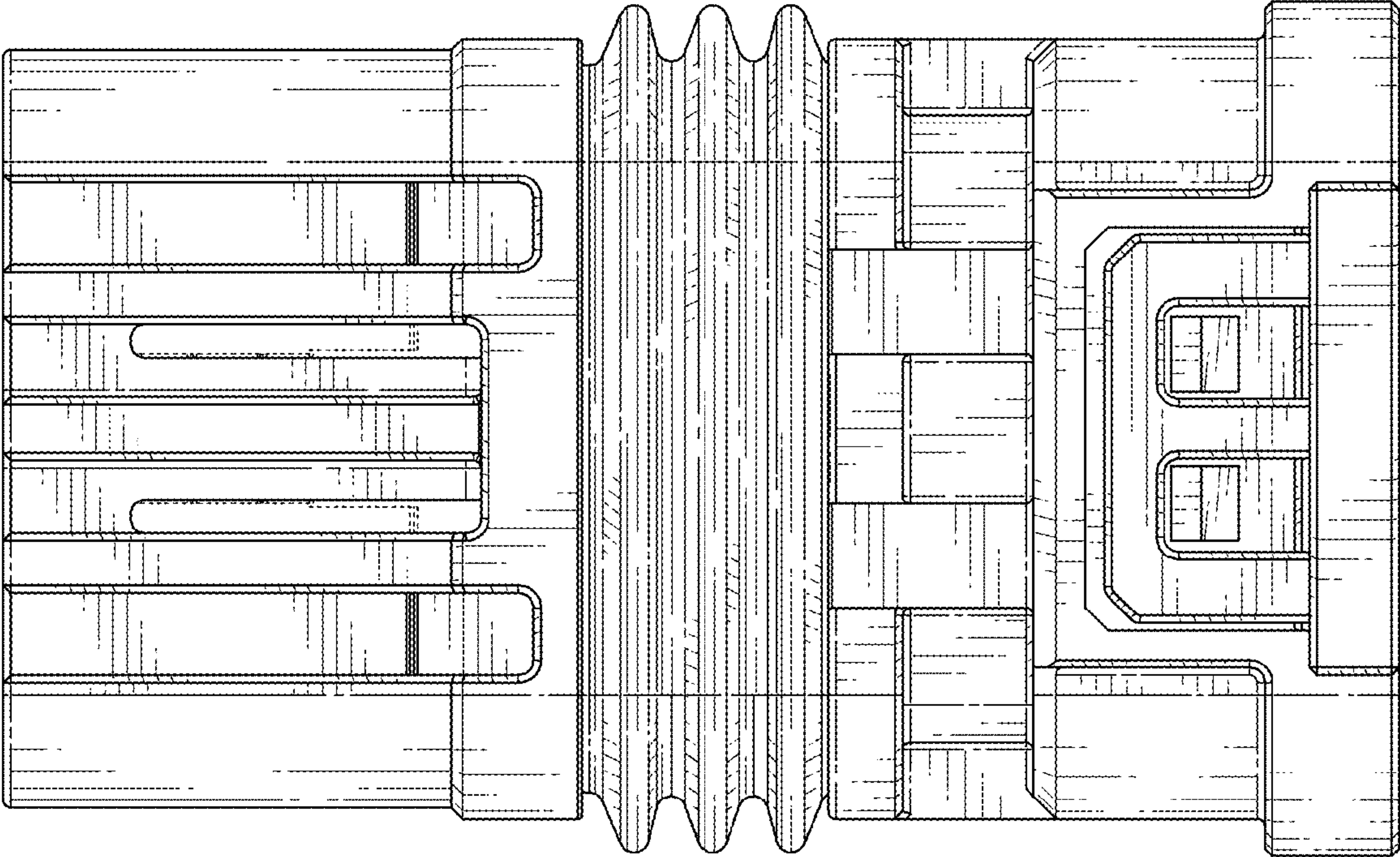


FIG. 6

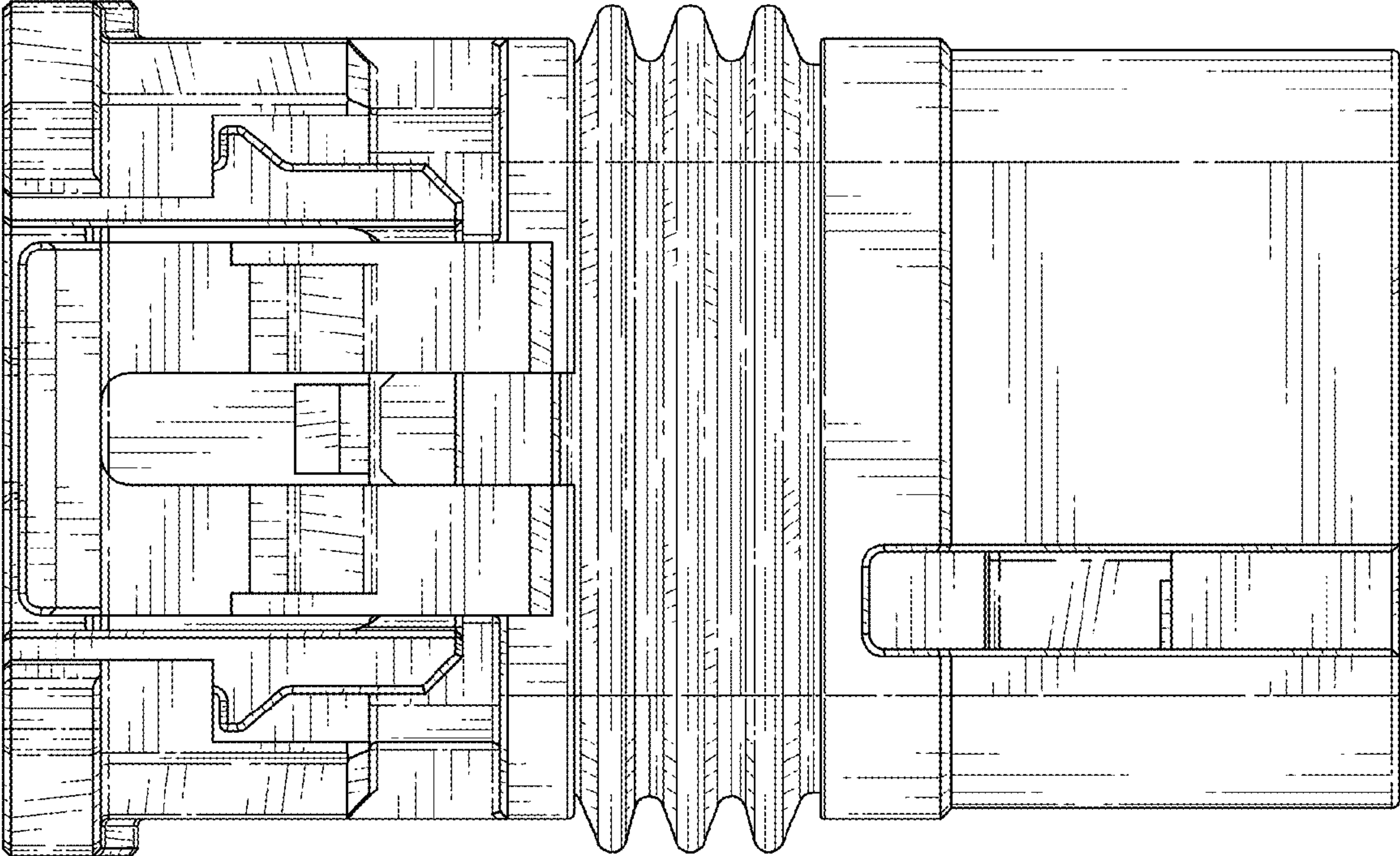


FIG. 5

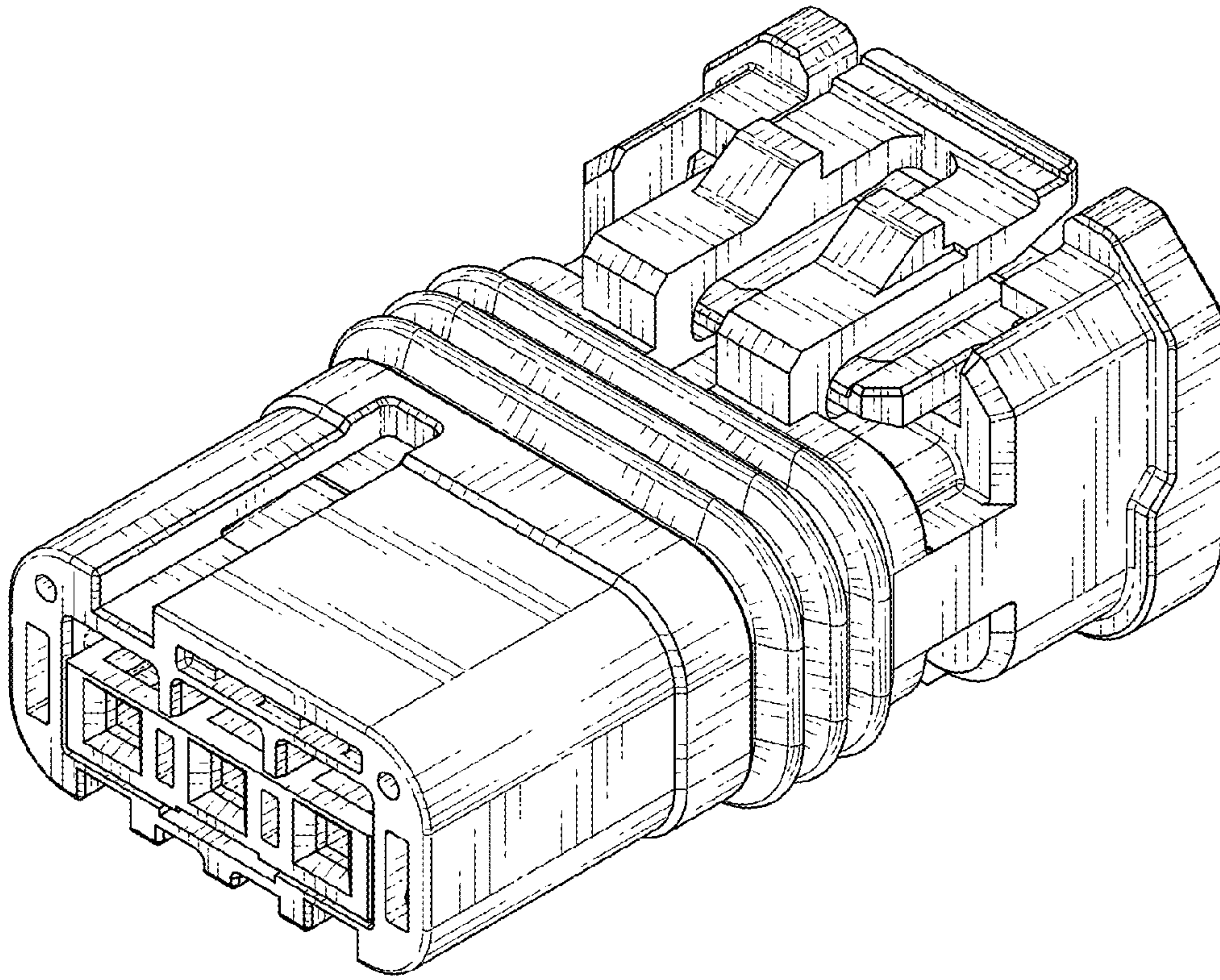


FIG. 7

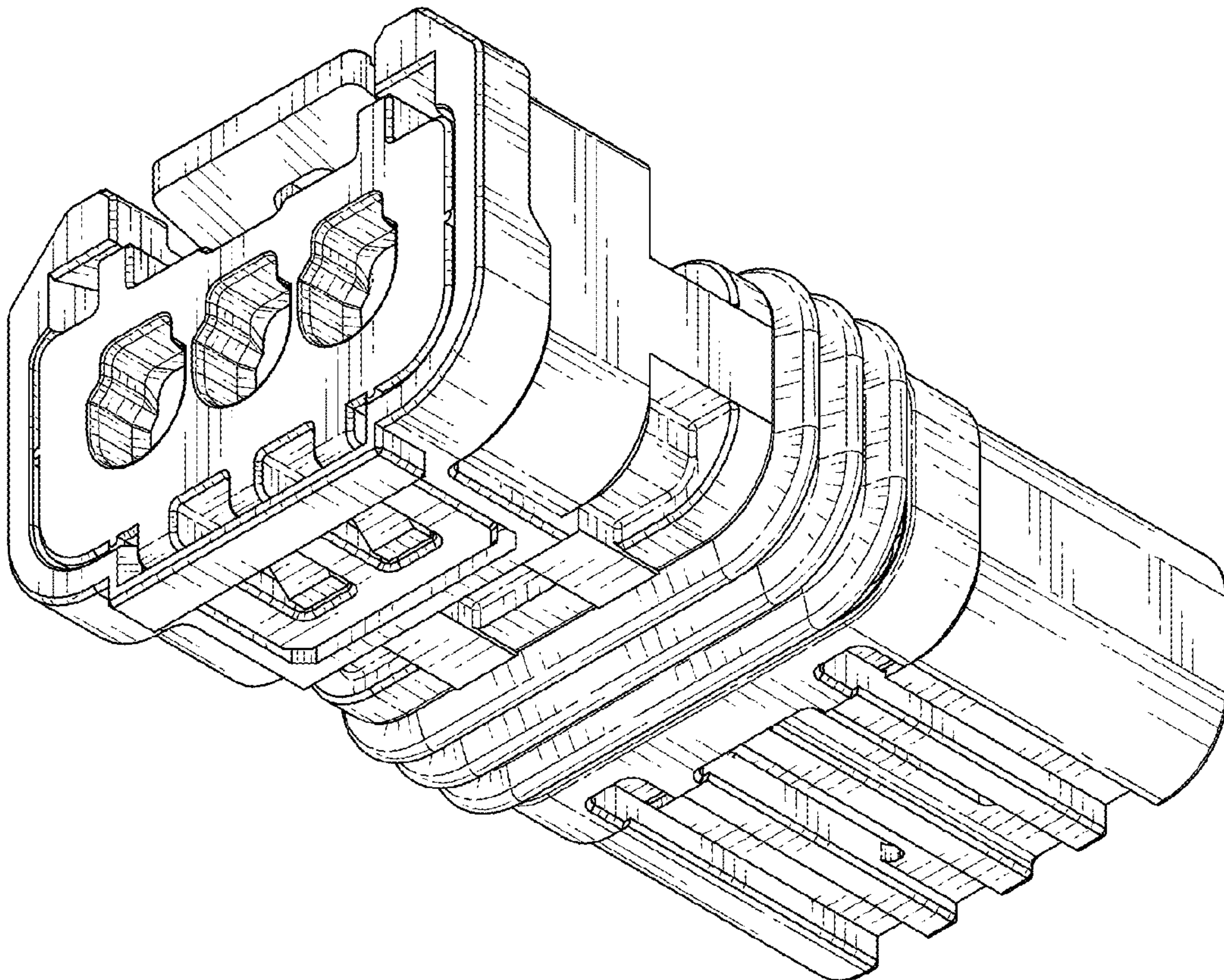


FIG. 8

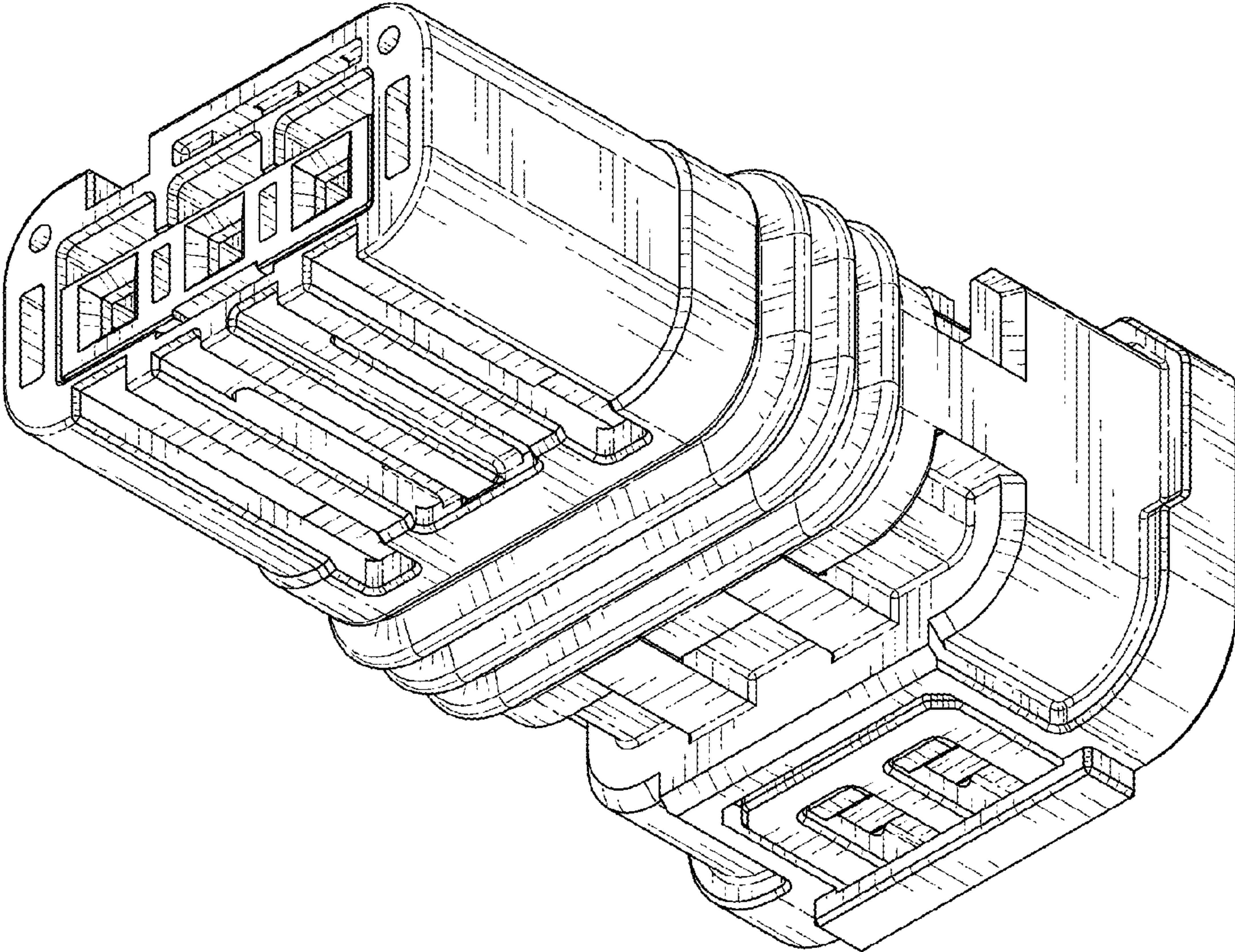


FIG. 9

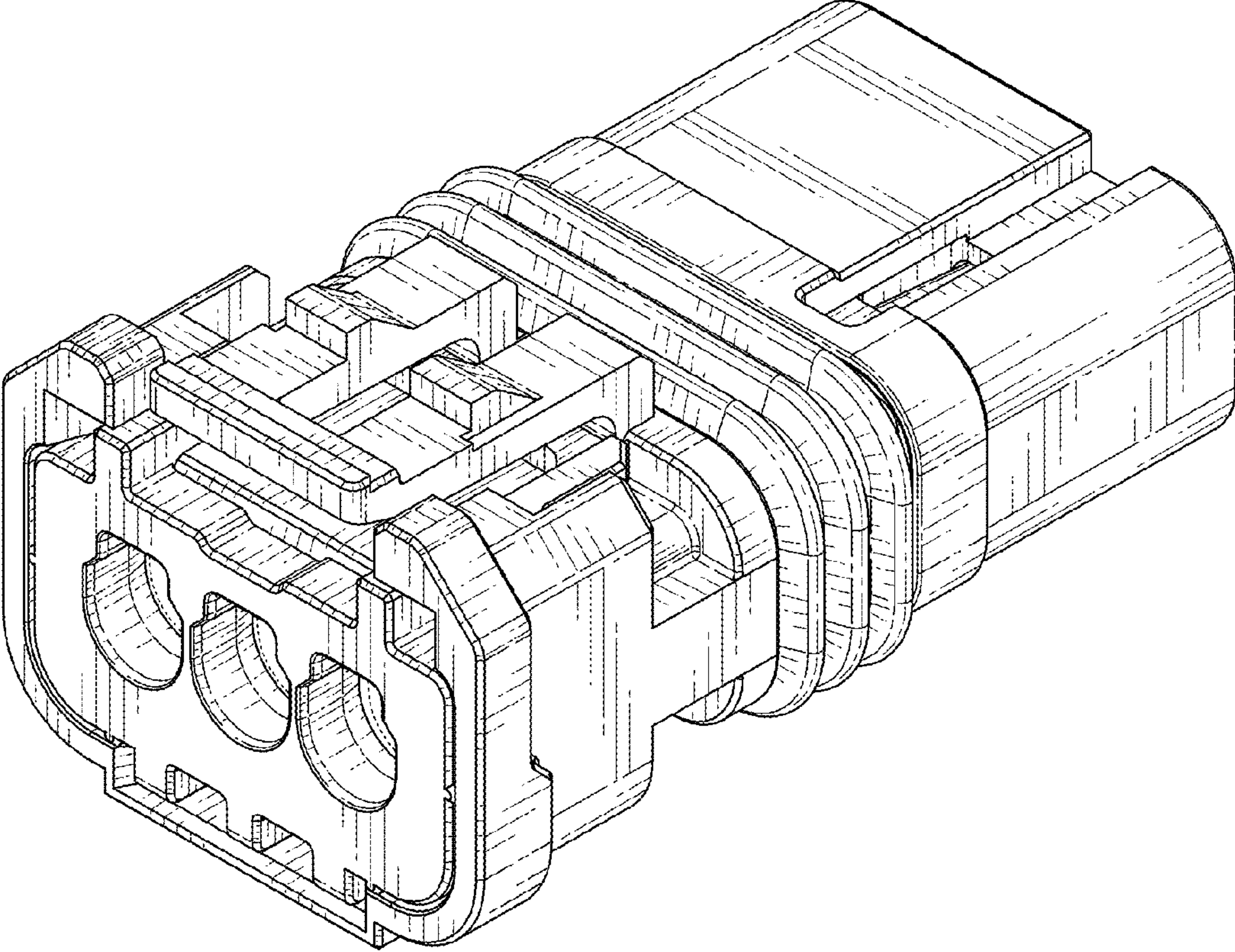


FIG. 10