



US00D911975S

(12) **United States Design Patent**
Maranto

(10) **Patent No.:** **US D911,975 S**
(45) **Date of Patent:** **** Mar. 2, 2021**

(54) **ELECTRICAL RECEPTACLE WITH IN-LINE POWER UNIT**

(71) Applicant: **Group Dekko, Inc.**, Garrett, IN (US)
(72) Inventor: **Vincent Maranto**, Fort Wayne, IN (US)
(73) Assignee: **Group Dekko, Inc.**, Garrett, IN (US)
(**) Term: **15 Years**

(21) Appl. No.: **29/663,383**

(22) Filed: **Sep. 14, 2018**

(51) **LOC (13) Cl.** **13-03**
(52) **U.S. Cl.**
USPC **D13/139.8**

(58) **Field of Classification Search**
USPC D13/103, 107, 108, 110, 133,
D13/137.1-137.4, 138.1-138.2,
D13/139.1-139.8, 146, 147, 151-156,
D13/173, 177, 199, 137.2, 139.4;
D14/432, 433, 435.1, 250; D23/231, 232;
D15/7-9; D8/350, 353-356
CPC H01R 11/00; H01R 9/00; H01R 13/00;
H01R 13/04; H01R 13/10; H01R
13/6666; H01R 13/6675; H01R 25/00;
H01R 25/006; H01H 2207/00; H01H
2207/022; Y02E 60/12; Y02E 60/122;
Y02E 60/124; Y02E 60/50; H01M 2/02;
H01M 2/022; H01M 2/0202; H01M
2/0207; H01M 2/0212; H01M 2/1061;
H01M 2/1022; H01M 2/1055; H01M
2/1066; H01M 2/105; H01M 2/204; H02J
7/00; H02J 7/0003; H02J 7/0011; H02J
7/0013; H02J 7/0054; H02J 7/0055; H02J
7/0057; Y02T 10/7005; Y02T 10/705;
Y02T 10/7088; B60L 11/1809; B60L
11/1861

See application file for complete search history.

(56) **References Cited**

U.S. PATENT DOCUMENTS

6,004,157 A * 12/1999 Glass A47B 21/06
439/535
9,148,006 B2 * 9/2015 Byrne H02G 3/18
D740,228 S * 10/2015 Page D13/139.4
D770,976 S * 11/2016 Xu D13/110
D775,080 S * 12/2016 Newhouse D13/139.4
D775,081 S * 12/2016 Xu D13/139.6
9,614,336 B2 * 4/2017 Los H01R 27/02
9,706,833 B2 * 7/2017 Newhouse A47B 21/06
D796,445 S * 9/2017 Xu D13/139.6
9,755,385 B1 * 9/2017 Kondas H01R 13/74

(Continued)

OTHER PUBLICATIONS

YouTube.com: Dekko Product Highlight: Ashley InLine. Published on Sep. 6, 2017. Retrieved from the internet at <https://www.youtube.com/watch?v=KPED1u9_uHI>, May 21, 2020. 1 page. (Year: 2017).*

Primary Examiner — Christy Nemeth
(74) *Attorney, Agent, or Firm* — Taylor IP, P.C.

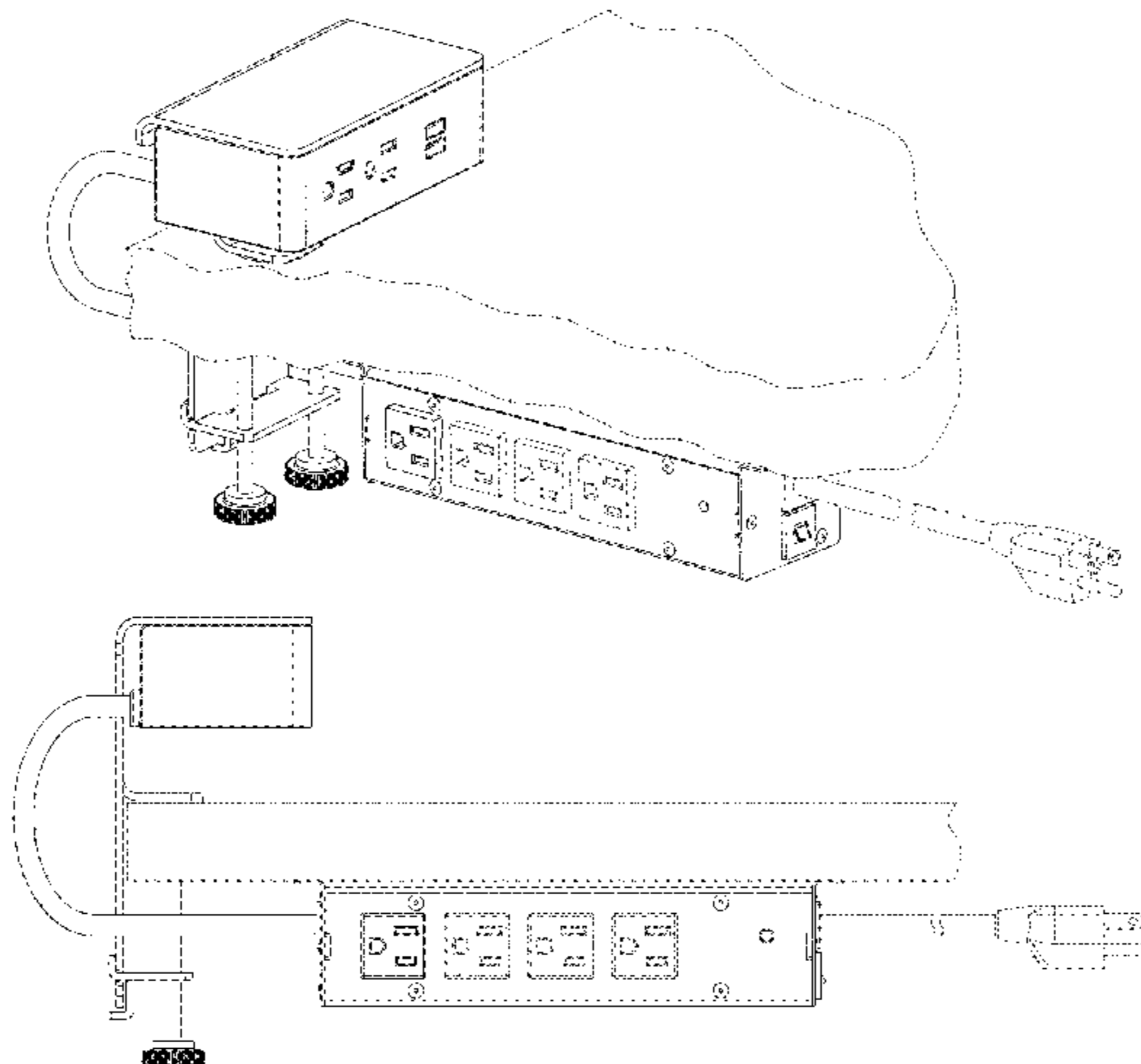
(57) **CLAIM**

The ornamental design for an electrical receptacle with in-line power unit, as shown and described.

DESCRIPTION

FIG. 1 is a perspective view of an electrical receptacle with in-line power unit showing my new design;
FIG. 2 is a left side view thereof;
FIG. 3 is a front view thereof;
FIG. 4 is a right side view thereof;
FIG. 5 is a back view thereof;
FIG. 6 is a top view thereof; and,
FIG. 7 is a bottom view thereof.

(Continued)



In the drawings, the broken lines are for the purpose of illustrating environmental subject matter and portions of the article that form no part of the claimed design.

1 Claim, 7 Drawing Sheets

(56)

References Cited

U.S. PATENT DOCUMENTS

D798,812 S * 10/2017 Xu D13/110
 D798,818 S * 10/2017 Kondas D13/139.4
 D799,428 S * 10/2017 Kondas D13/139.4
 D801,276 S * 10/2017 Lin D13/139.7
 9,804,652 B2 * 10/2017 Volek G06F 1/266
 D804,419 S * 12/2017 Hayes D13/139.4
 D812,009 S * 3/2018 Hayes D13/139.4
 D816,037 S * 4/2018 Byrne D13/137.2
 D816,039 S * 4/2018 Lu D13/139.8

D828,304 S * 9/2018 Chen D13/139.8
 D832,215 S * 10/2018 Xu D13/137.2
 10,116,094 B2 * 10/2018 Byrne H01R 13/703
 D835,580 S * 12/2018 Xiong D13/110
 D837,736 S * 1/2019 Liao D13/139.7
 D839,828 S * 2/2019 Byrne D13/139.4
 D840,347 S * 2/2019 Byrne D13/139.4
 D843,316 S * 3/2019 Zhou D13/108
 D848,371 S * 5/2019 Byrne D13/139.4
 D849,686 S * 5/2019 Byrne D13/137.2
 D852,749 S * 7/2019 Wang D13/139.8
 D856,937 S * 8/2019 Rupert D13/139.4
 D864,864 S * 10/2019 Xu D13/110
 D864,874 S * 10/2019 Xu D13/139.8
 D867,998 S * 11/2019 Gorretta D13/139.8
 D869,397 S * 12/2019 Hayes A47B 9/00
 D13/137.2
 D871,333 S * 12/2019 Xiong D13/110
 D871,344 S * 12/2019 Lyu D13/139.8
 D872,021 S * 1/2020 Xu D13/110
 D872,027 S * 1/2020 Lien D13/139.6

* cited by examiner

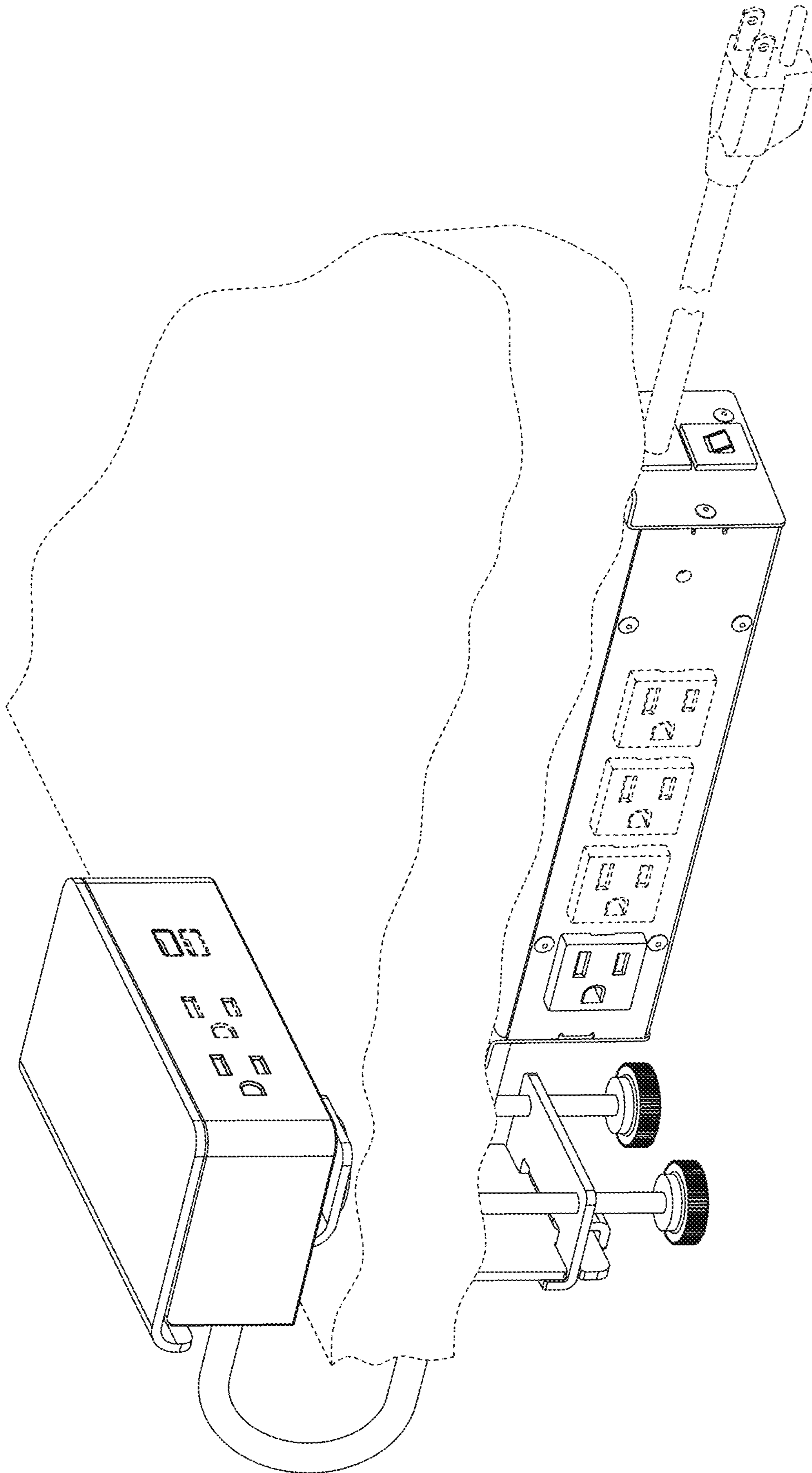


FIG. 1

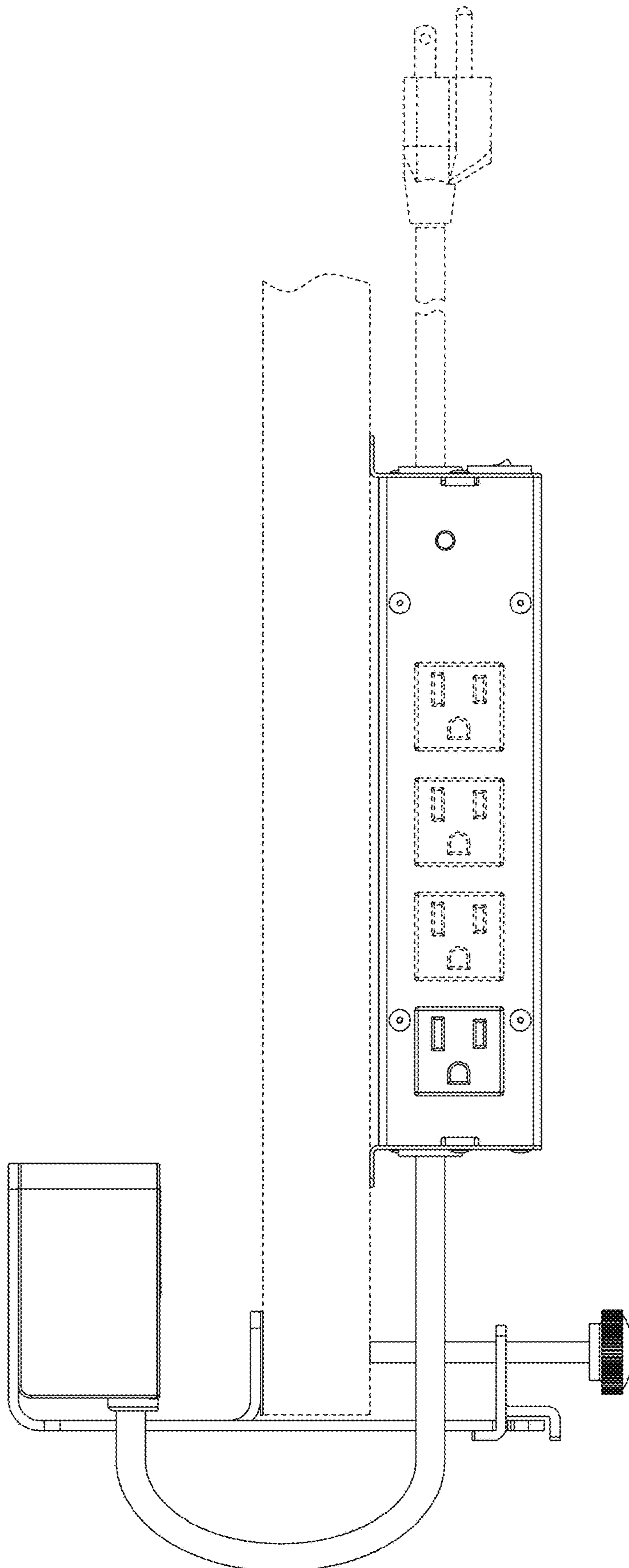


FIG. 2

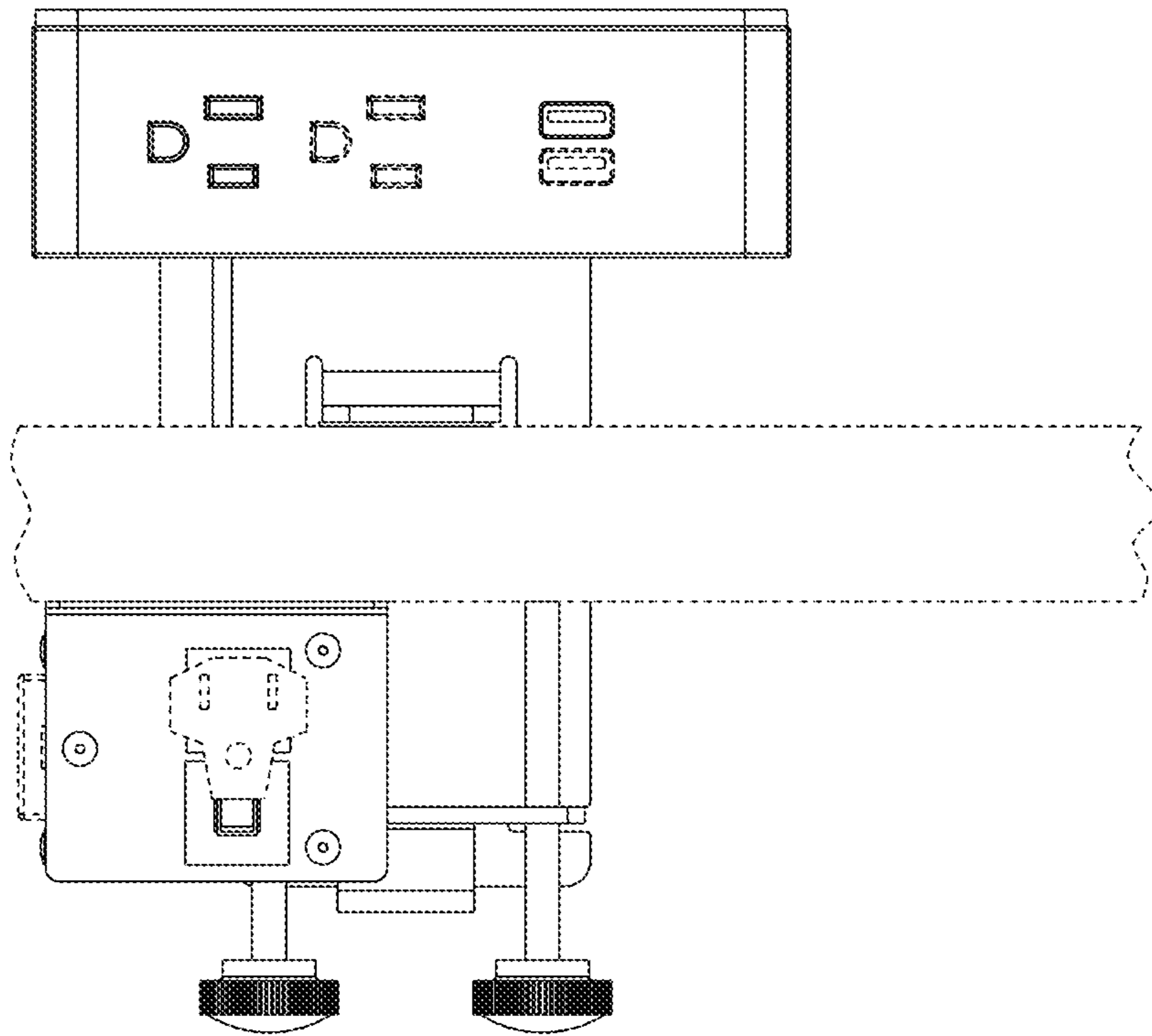


FIG. 3

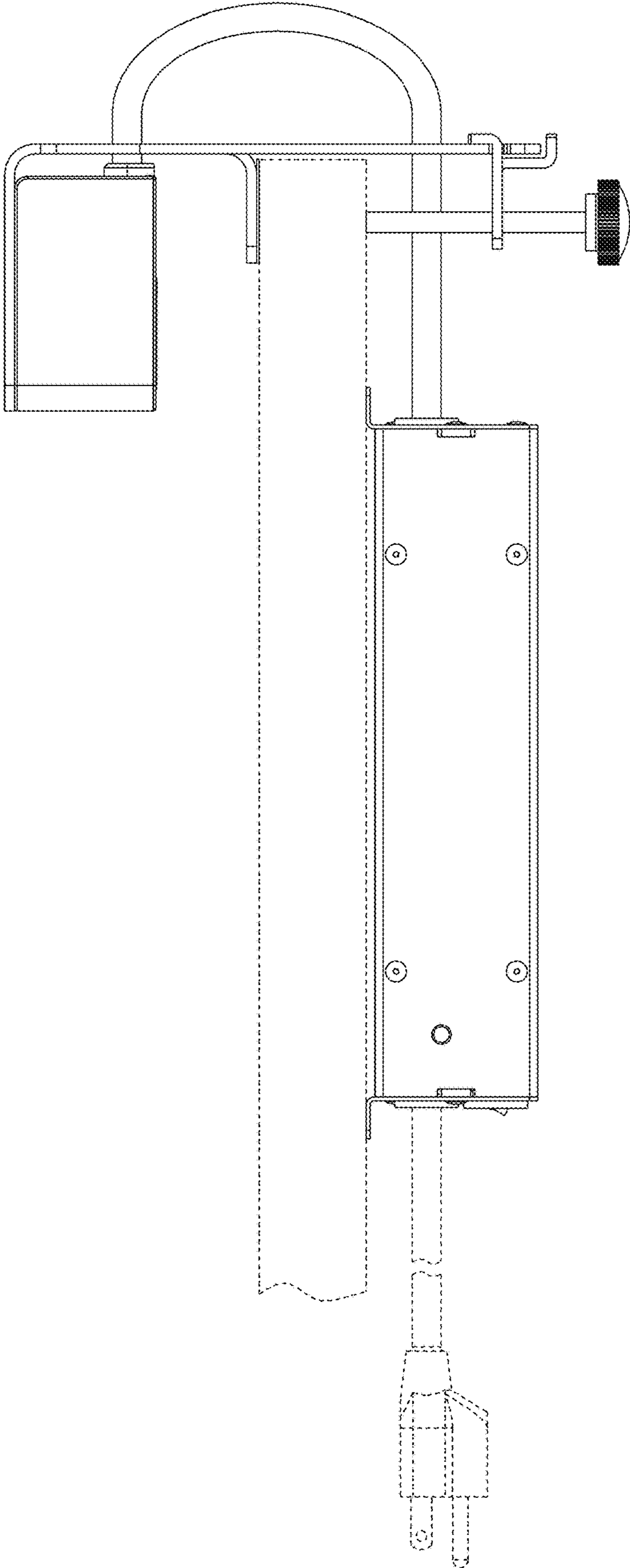


FIG. 4

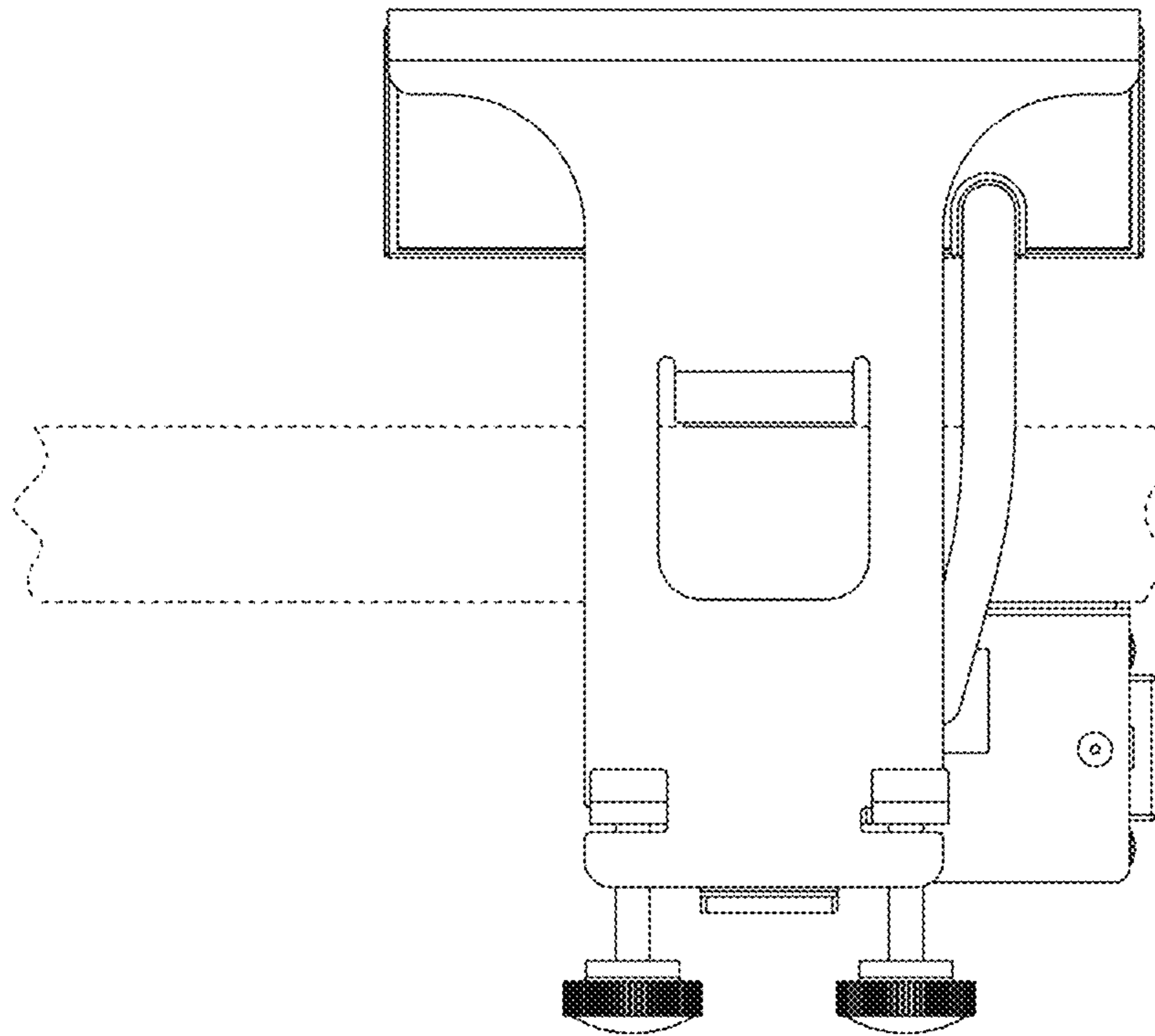


FIG. 5

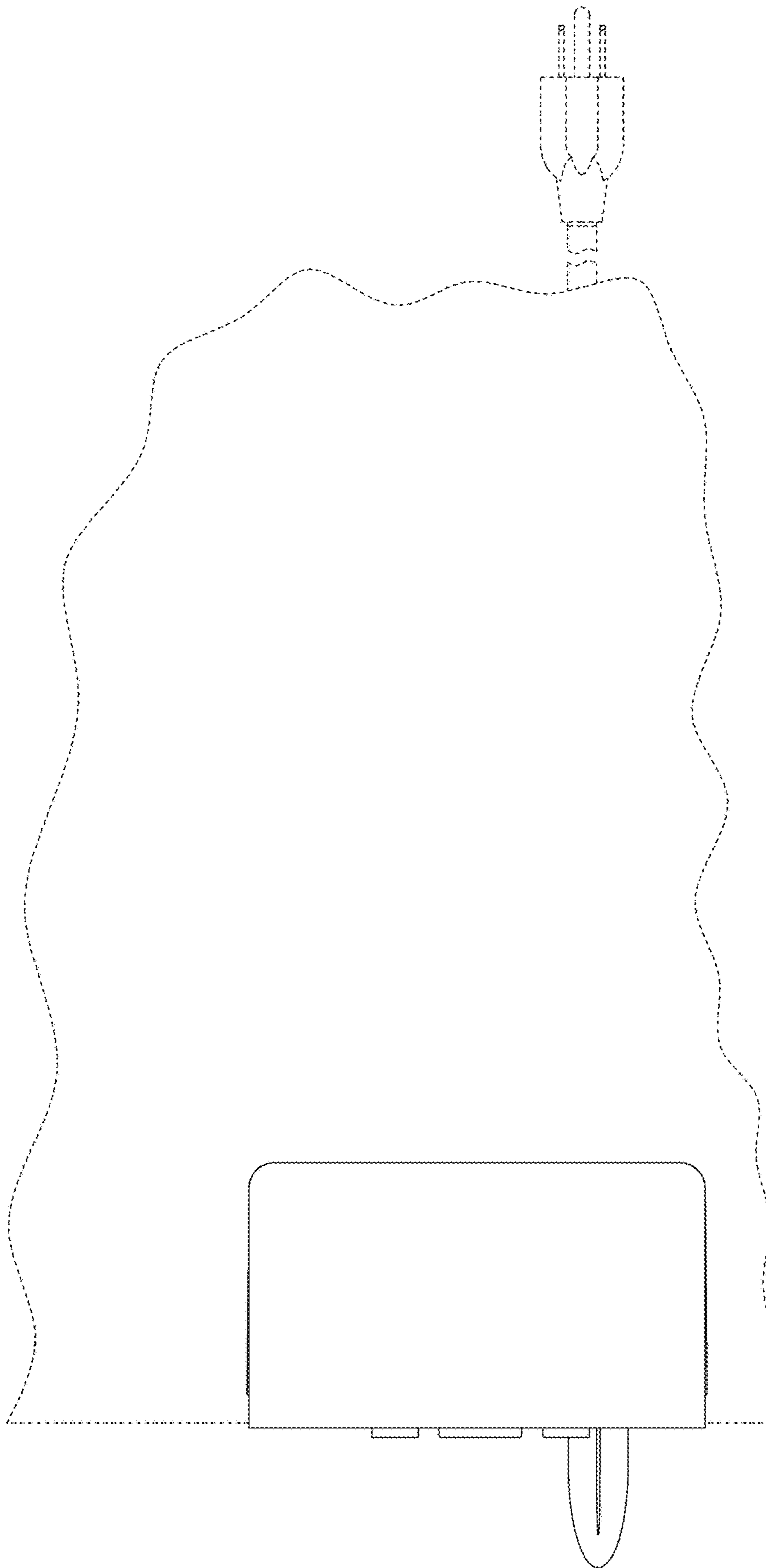


FIG. 6

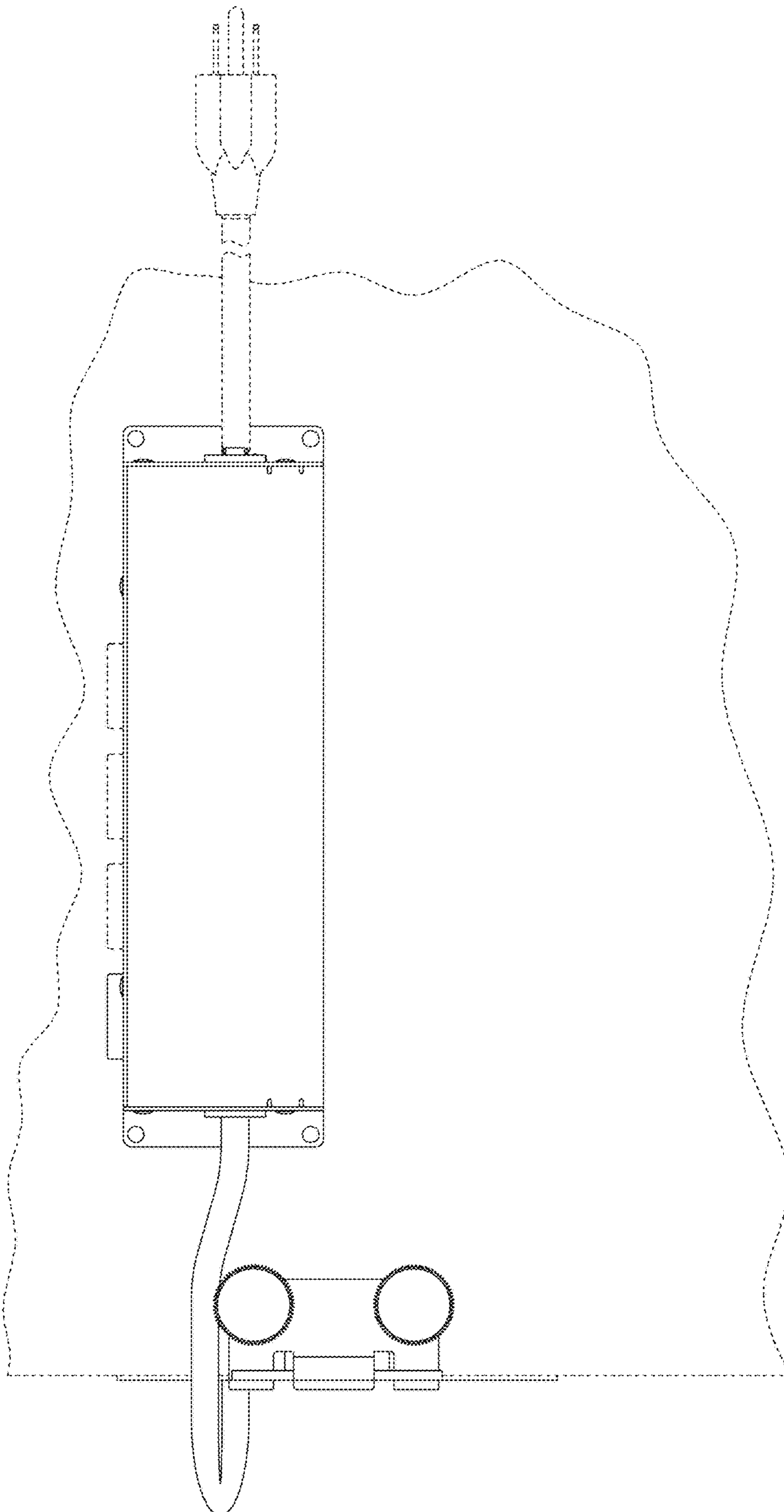


FIG. 7