



US00D911970S

(12) **United States Design Patent**
Grisack

(10) **Patent No.:** **US D911,970 S**
(45) **Date of Patent:** **** Mar. 2, 2021**

(54) **POWER BASE FOR DESK MOUNT ARM**

DESCRIPTION

- (71) Applicant: **EXEMPLIS LLC**, Cypress, CA (US)
- (72) Inventor: **Scott Grisack**, Tampa, FL (US)
- (73) Assignee: **EXEMPLIS LLC**, Cypress, CA (US)
- (**) Term: **15 Years**
- (21) Appl. No.: **29/611,187**
- (22) Filed: **Jul. 19, 2017**
- (51) **LOC (13) Cl.** **13-03**
- (52) **U.S. Cl.**
USPC **D13/139.1**
- (58) **Field of Classification Search**
USPC D13/103, 107, 108, 110, 137.1–137.4,
D13/138.1–138.2, 139.1–139.8, 152, 154,
(Continued)

(56) **References Cited**

U.S. PATENT DOCUMENTS

- 4,438,458 A 3/1984 Munscher
 - 4,729,533 A 3/1988 Hillary et al.
- (Continued)

FOREIGN PATENT DOCUMENTS

- WO 0071002 A1 11/2000
- WO 2014054041 A2 4/2014

OTHER PUBLICATIONS

Design U.S. Appl. No. 29/611,191, filed Jul. 19, 2019 entitled
“Power Base for Desk Mount Arm”.
(Continued)

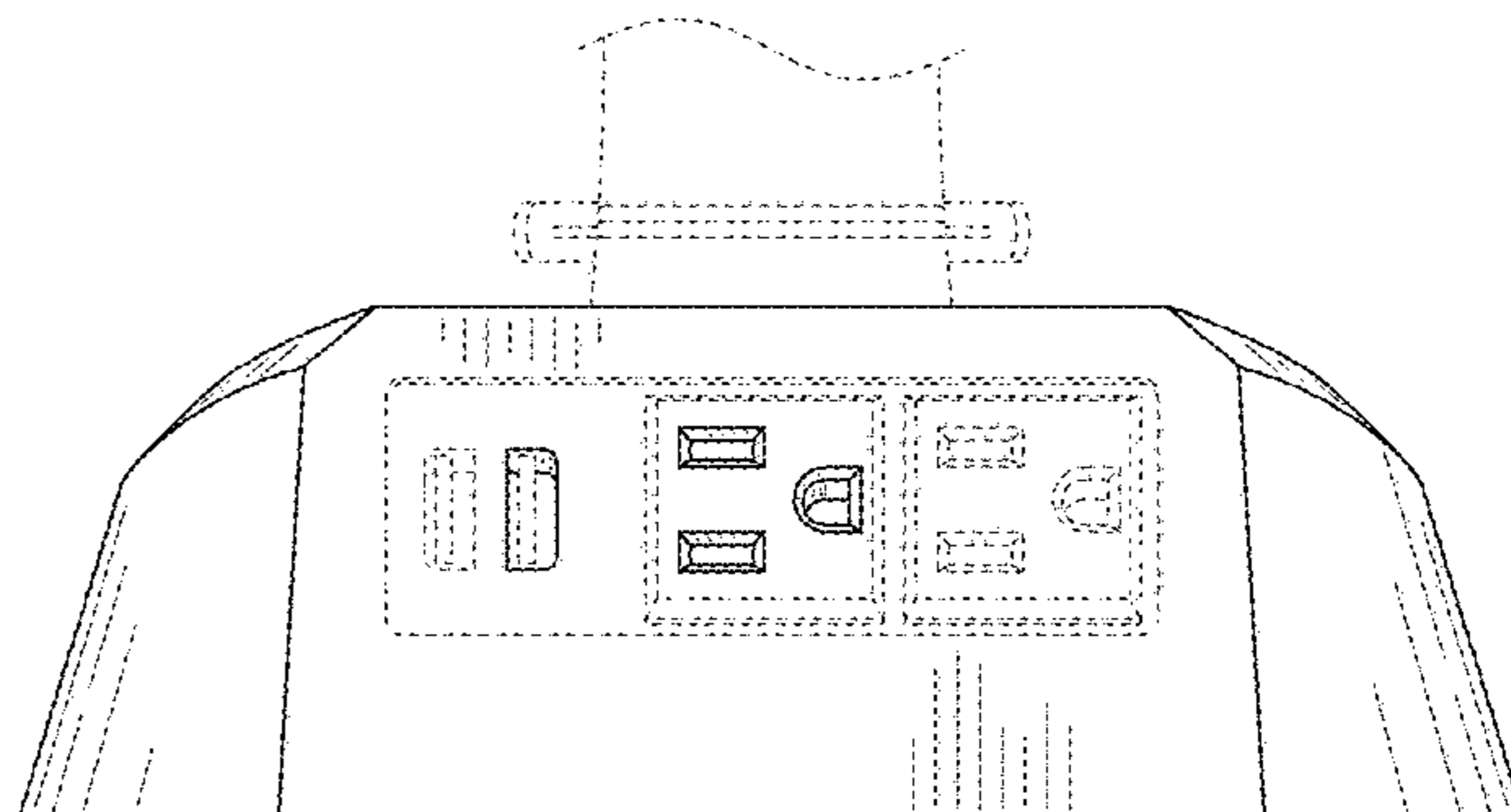
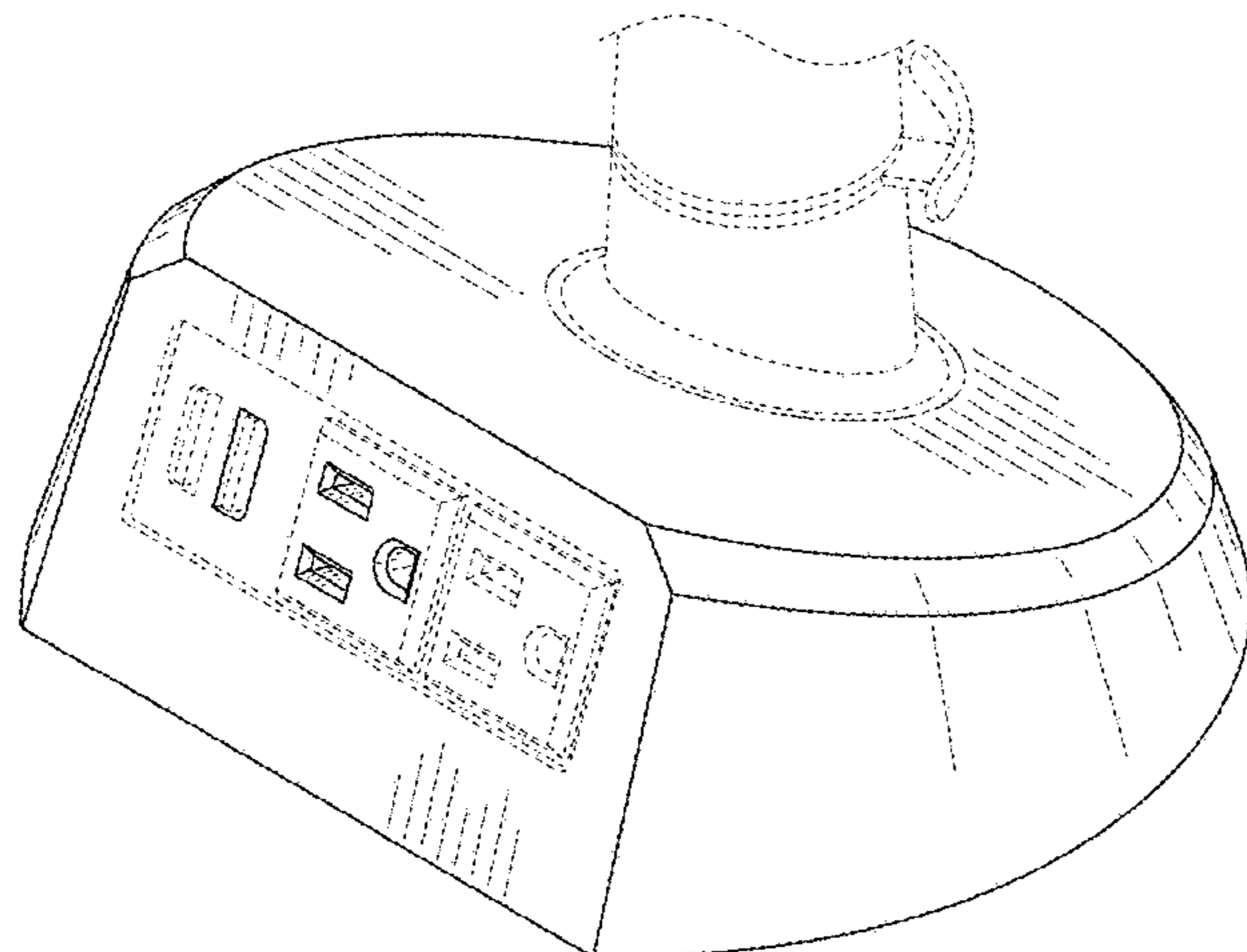
Primary Examiner — Christy Nemeth
(74) *Attorney, Agent, or Firm* — Lerner, David,
Littenberg, Krumholz & Mentlik, LLP

(57) **CLAIM**

The ornamental design for a power base for desk mount arm,
as shown and described.

FIG. 1 is a front perspective view of a power base for desk mount arm of my design, according to a first embodiment; FIG. 2 is a front elevational view thereof; FIG. 3 is a top plan view thereof; FIG. 4 is a front perspective view of a power base for desk mount arm of my design, according to a second embodiment; FIG. 5 is a front elevational view thereof; FIG. 6 is a top plan view thereof; FIG. 7 is a front perspective view of a power base for desk mount arm of my design, according to a third embodiment; FIG. 8 is a front elevational view thereof; FIG. 9 is a top plan view thereof; FIG. 10 is a front perspective view of a power base for desk mount arm of my design, according to a fourth embodiment; FIG. 11 is a front elevational view thereof; FIG. 12 is a top plan view thereof; FIG. 13 is a front perspective view of a power base for desk mount arm of my design, according to a fifth embodiment; FIG. 14 is a front elevational view thereof; FIG. 15 is a top plan view thereof; FIG. 16 is a front perspective view of a power base for desk mount arm of my design, according to a sixth embodiment; FIG. 17 is a front elevational view thereof; FIG. 18 is a top plan view thereof; FIG. 19 is a front perspective view of a power base for desk mount arm of my design, according to a seventh embodiment; FIG. 20 is a front elevational view thereof; FIG. 21 is a top plan view thereof; FIG. 22 is a front perspective view of a power base for desk mount arm of my design, according to an eighth embodiment; FIG. 23 is a front elevational view thereof; FIG. 24 is a top plan view thereof; FIG. 25 is a rear elevational view of a power base for desk mount arm, according to all embodiments; FIG. 26 is a right side elevational, the left side view being a mirror image thereof, according to all embodiments; and, FIG. 27 is a bottom plan view, according to all embodiments.

(Continued)



The broken lines shown in the drawings are for the purpose of illustrating environmental structure and form no part of the claimed design. The dot-dash lines are boundary lines and form no part of the claimed design.

1 Claim, 27 Drawing Sheets

(58) **Field of Classification Search**

USPC D13/158, 171, 174, 184, 199; D14/250, D14/251, 253, 432, 434, 451
 CPC Y02E 60/12; Y02E 60/122; Y02E 60/124; Y02E 60/50; H01M 2/02; H01M 2/022; H01M 2/0202; H01M 2/0207; H01M 2/0212; H01M 2/1061; H01M 2/1022; H01M 2/1055; H01M 2/1066; H01M 2/105; H01M 2/204; H01M 2/202; H01M 2/206; H01M 10/4257; H01M 10/0436; H01M 10/48; H01M 10/44; H01M 10/46; H01M 10/465; H01M 10/482; H01R 11/00; H01R 9/00; H01R 13/00; H01R 13/04; H01R 13/10; H01R 13/6666; H01R 13/6675; H01R 25/00; H01R 25/006; H01H 2207/00; H01H 2207/022

See application file for complete search history.

(56) **References Cited**

U.S. PATENT DOCUMENTS

4,864,601	A	9/1989	Berry	
5,107,402	A	4/1992	Malgouires	
5,124,805	A	6/1992	Chung et al.	
5,278,779	A	1/1994	Conway et al.	
5,321,579	A	6/1994	Brown et al.	
5,569,895	A	10/1996	Lynch et al.	
5,668,570	A	9/1997	Ditzik	
D386,782	S *	11/1997	Sasaki	D14/451
D397,086	S *	8/1998	Lin	D13/137.2
D408,355	S *	4/1999	Welsh	D13/139.4
D411,981	S *	7/1999	Jeon-Chapman	D13/139.1
5,978,211	A	11/1999	Hong	
6,005,767	A	12/1999	Ku et al.	
6,081,420	A	6/2000	Kim et al.	
6,105,919	A	8/2000	Min	
6,106,181	A	8/2000	Neuhof	
6,108,195	A	8/2000	Behl et al.	
6,134,103	A	10/2000	Ghanma	
6,200,159	B1	3/2001	Chou	
6,233,138	B1	5/2001	Osgood	
6,268,998	B1	7/2001	Cho	
6,275,375	B1	8/2001	Nam	
6,418,010	B1	7/2002	Sawyer	
D469,403	S *	1/2003	Nieto	D13/137.2

6,510,049	B2	1/2003	Rosen	
6,552,888	B2	4/2003	Weinberger	
6,585,203	B1	7/2003	Euker	
6,639,789	B2	10/2003	Beger	
D494,971	S	8/2004	Jobs et al.	
6,819,550	B2	11/2004	Jobs et al.	
6,915,995	B2	7/2005	Gillespie	
7,038,906	B2	5/2006	Hubbard	
7,061,754	B2	6/2006	Moscovitch	
7,283,354	B2	10/2007	Choi et al.	
7,500,870	B2	3/2009	Picolli	
D595,298	S *	6/2009	Zonshine	D14/451
7,578,490	B2	8/2009	Kim	
7,663,478	B2	2/2010	Oh et al.	
7,773,371	B2	8/2010	Hillman et al.	
D653,215	S *	1/2012	Lam	D13/139.8
8,794,579	B2	8/2014	Sturman et al.	
D717,732	S *	11/2014	Byrne	D13/137.1
8,922,457	B2	12/2014	Moscovitch	
D735,138	S *	7/2015	Miniger	D13/139.7
D736,709	S *	8/2015	Byrne	D13/137.1
D739,355	S *	9/2015	D'Aubeterre	D13/139.8
D775,589	S *	1/2017	Soffer	D13/139.1
D777,674	S *	1/2017	Miniger	D13/139.7
9,746,128	B2	8/2017	Huang	
D796,442	S *	9/2017	Xu	D13/139.6
D801,979	S *	11/2017	Seo	D14/451
9,818,314	B2	11/2017	Rodriguez et al.	
D807,831	S *	1/2018	Xu	D13/139.8
D814,420	S *	4/2018	Chen	D13/137.2
10,117,353	B2	10/2018	Bums et al.	
D846,500	S *	4/2019	Xu	D13/137.4
10,280,956	B2	5/2019	Xiang et al.	
D851,598	S *	6/2019	Liang	D13/139.7
D851,599	S *	6/2019	Li	D13/139.8
10,367,317	B1 *	7/2019	Rahner	H01R 25/003
D856,937	S *	8/2019	Rupert	D13/139.4
2001/0023914	A1	9/2001	Dddsen	
2003/0075653	A1	4/2003	Li	
2003/0117700	A1	6/2003	Vaccarelli et al.	
2003/0176100	A1	9/2003	Yurek et al.	
2004/0011932	A1	1/2004	Duff	
2004/0031893	A1	2/2004	Smed	
2005/0006542	A1	1/2005	Henning et al.	
2005/0036283	A1	2/2005	Hillman et al.	
2006/0133016	A1	6/2006	North et al.	
2006/0250767	A1	11/2006	Brophy et al.	
2010/0133208	A1	6/2010	Seo et al.	
2012/0120581	A1	5/2012	Haren	
2019/0025877	A1 *	1/2019	Grisack	G06F 1/181

OTHER PUBLICATIONS

U.S. Appl. No. 62/534,386, filed Jul. 19, 2017 entitled "Monitor Stand Base With Integrated Outlets".
 Utility U.S. Appl. No. 16/038,724, filed Jul. 18, 2018 entitled "Monitor Stand Base With Integrated Outlets".

* cited by examiner

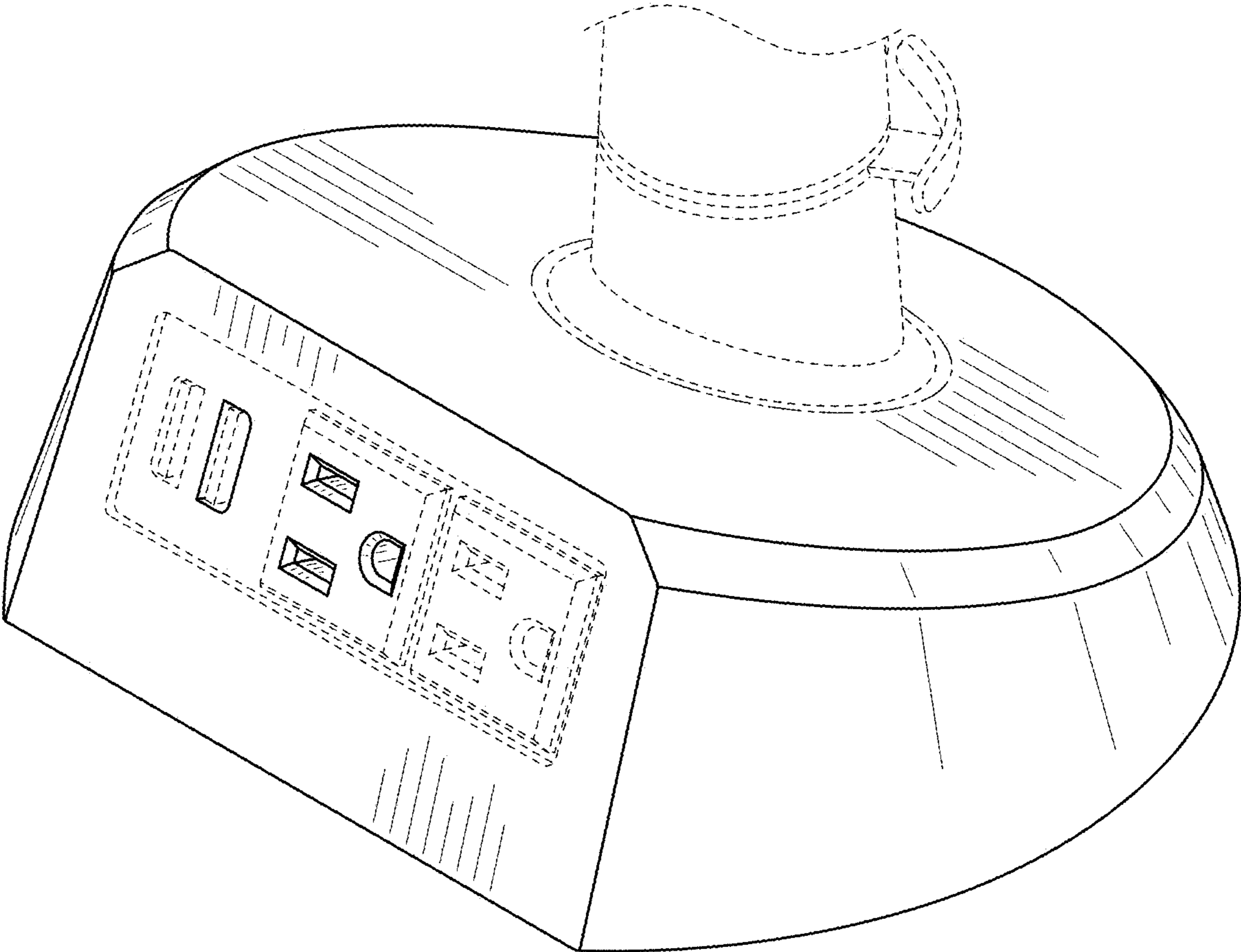


FIG. 1

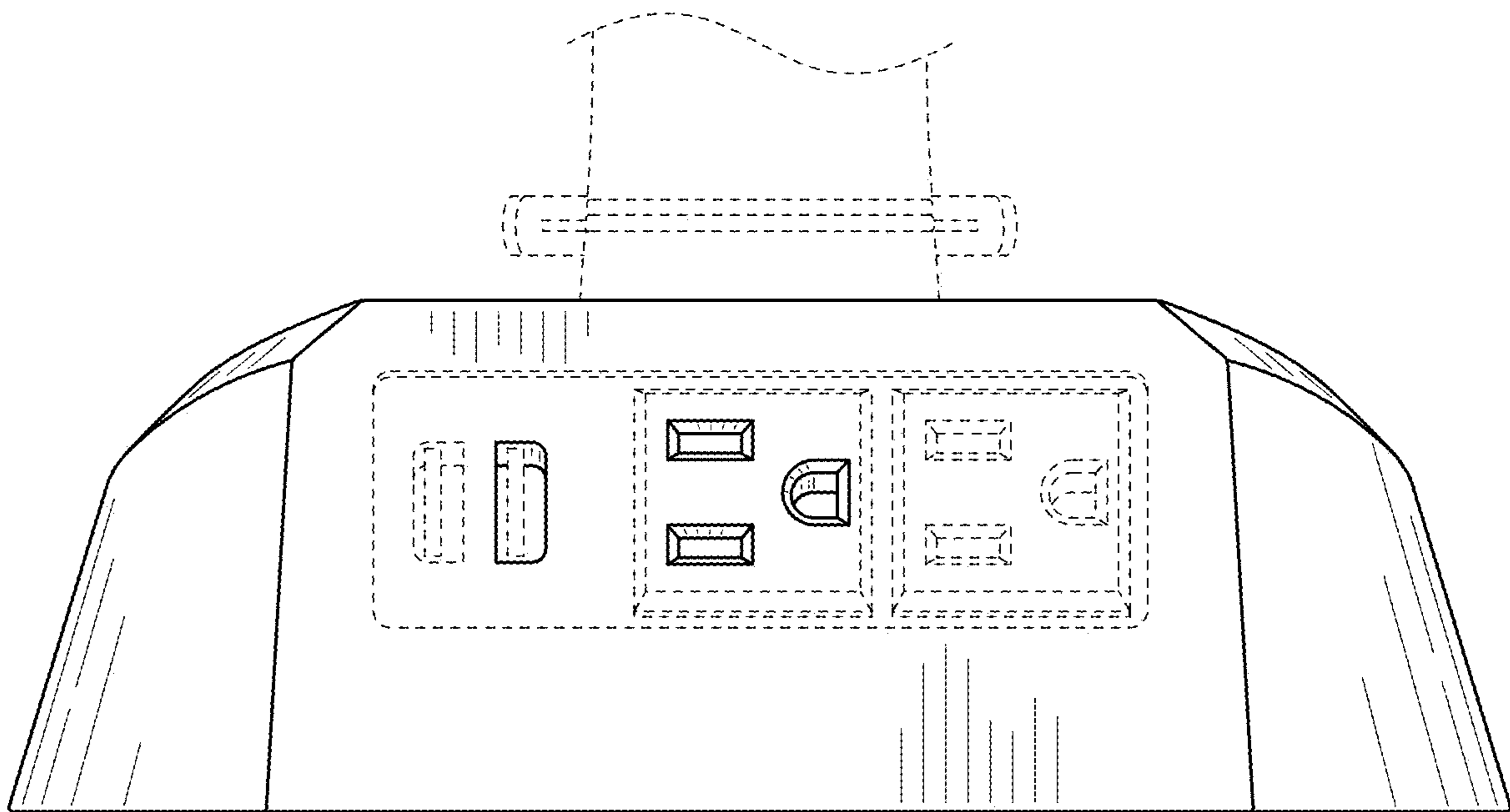


FIG. 2

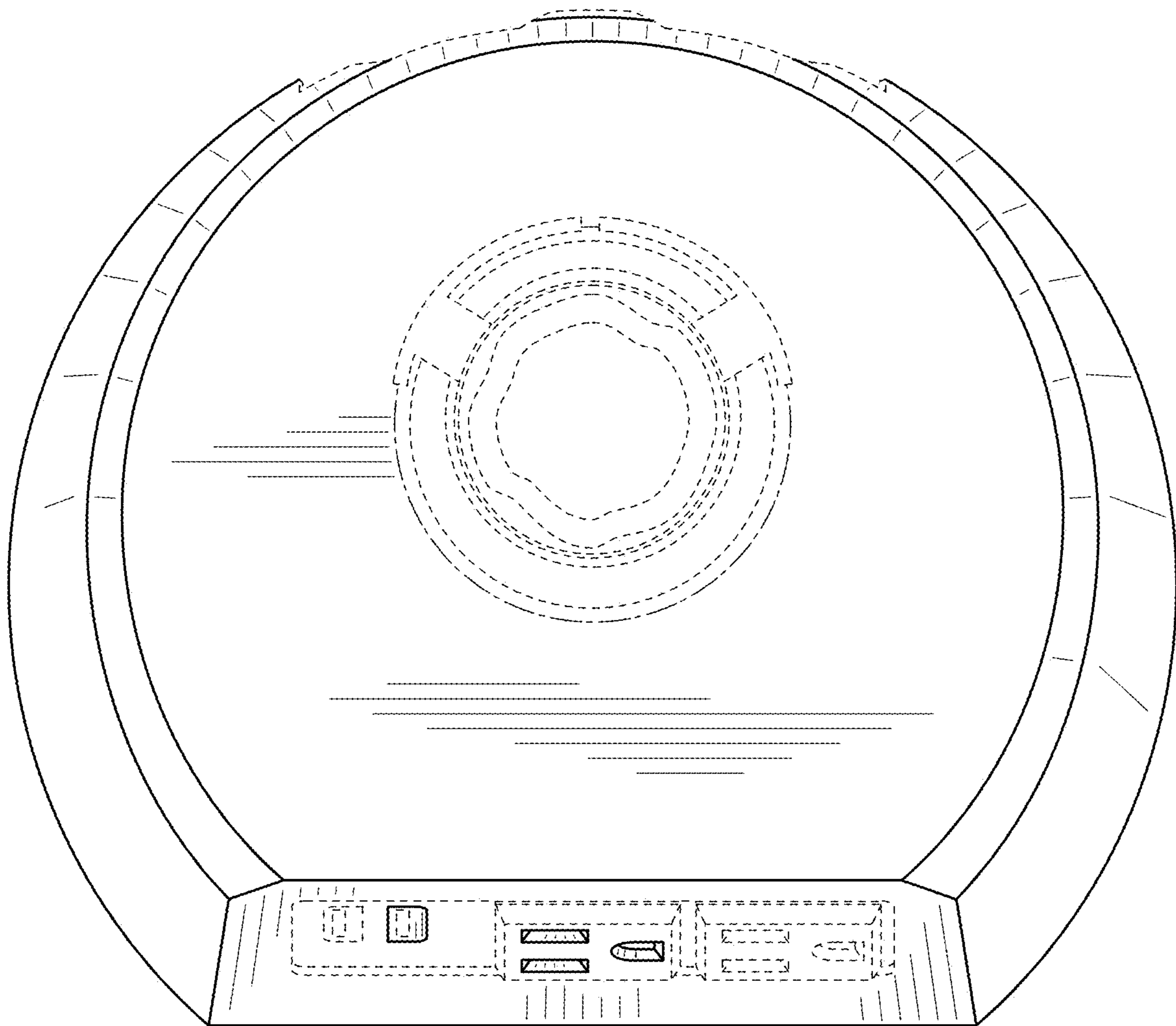


FIG. 3

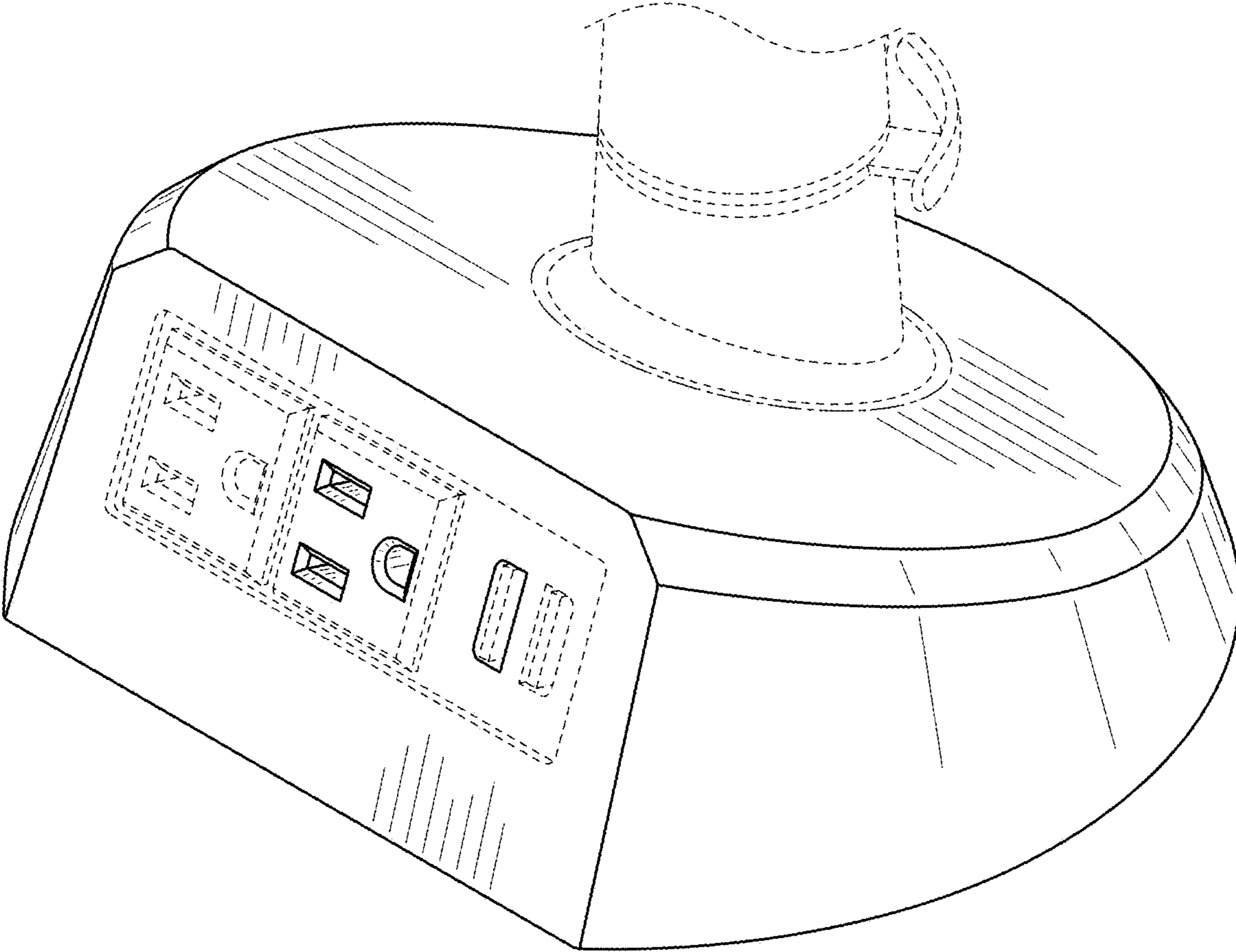


FIG. 4

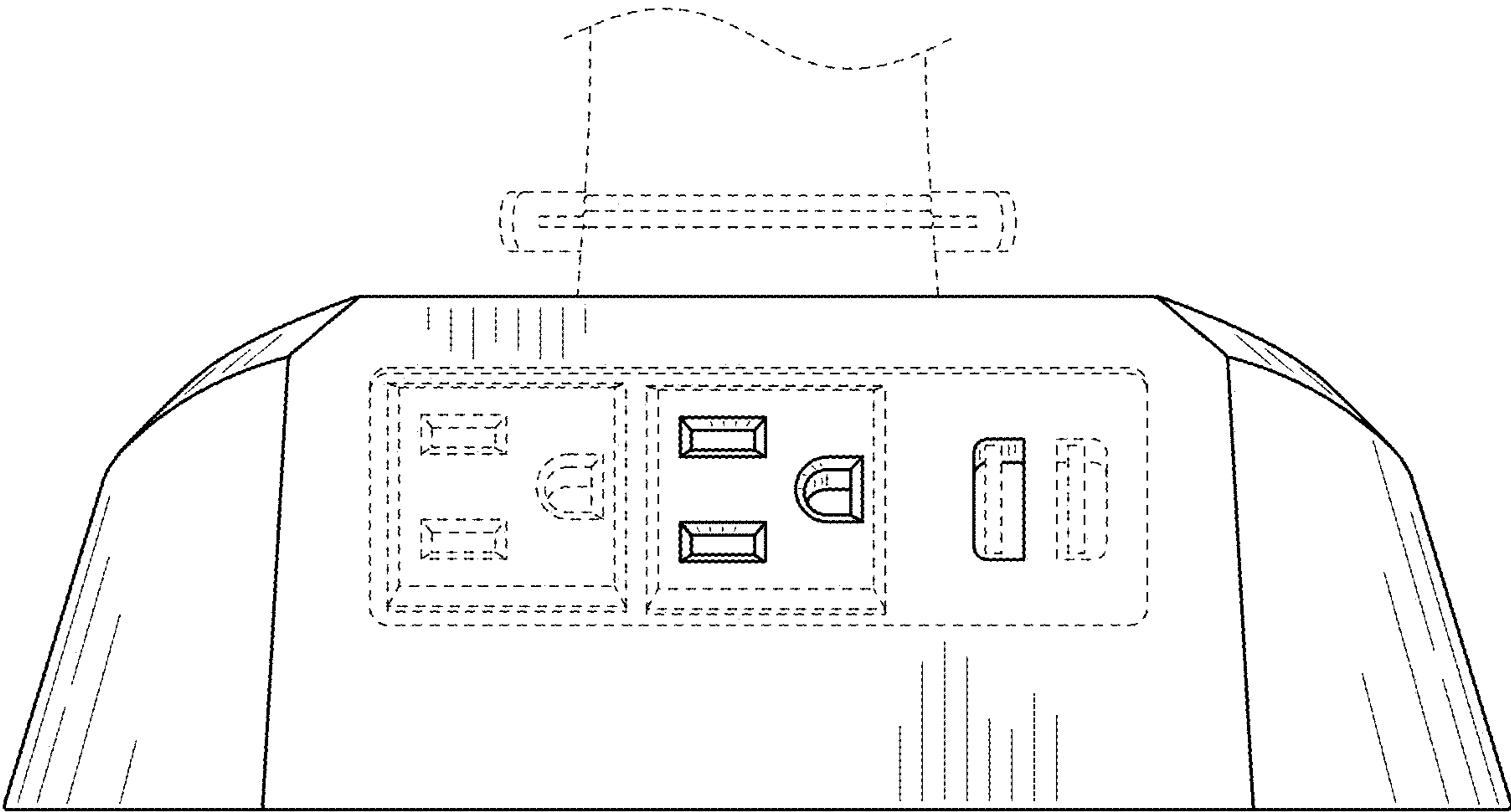


FIG. 5

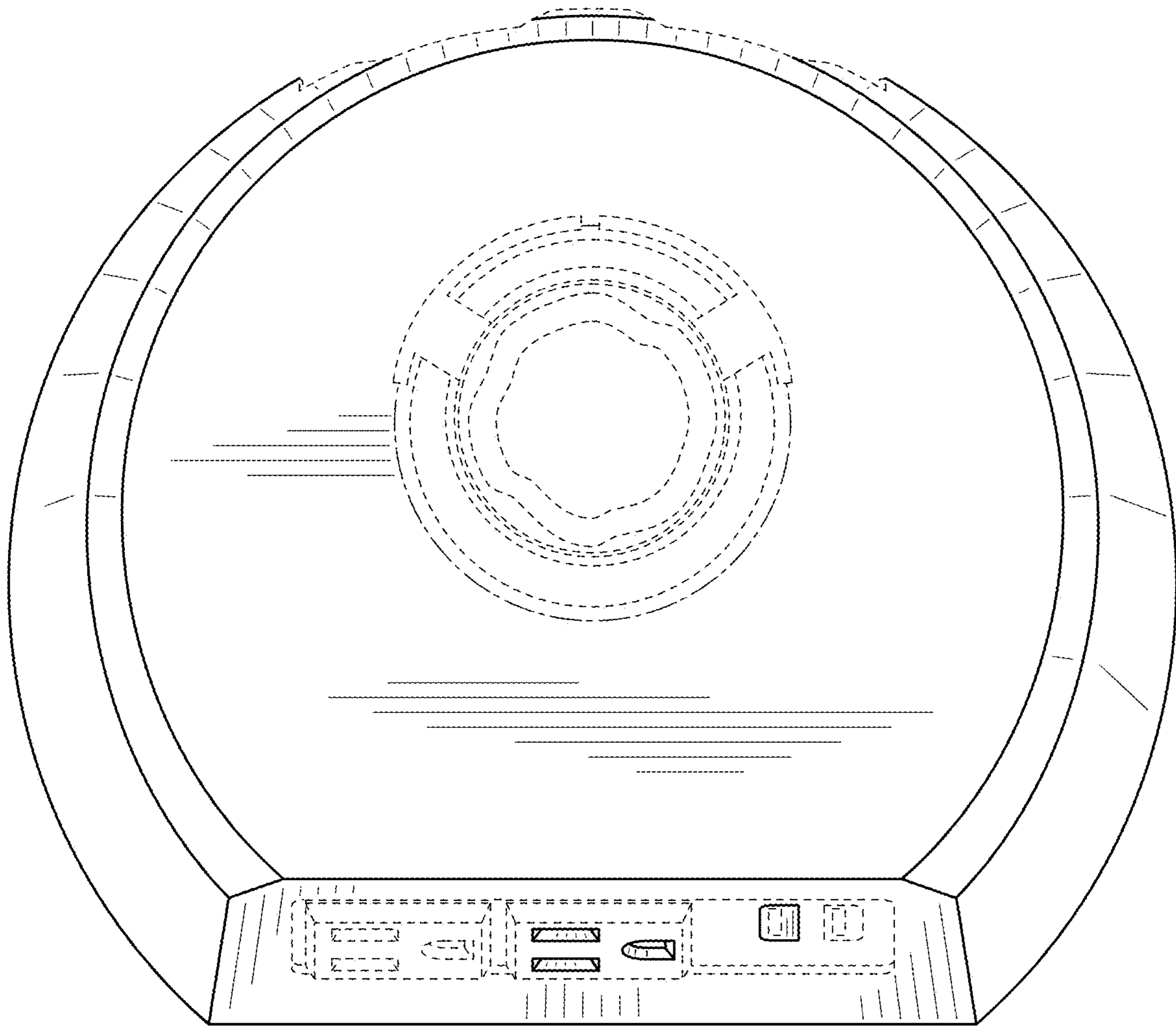


FIG. 6

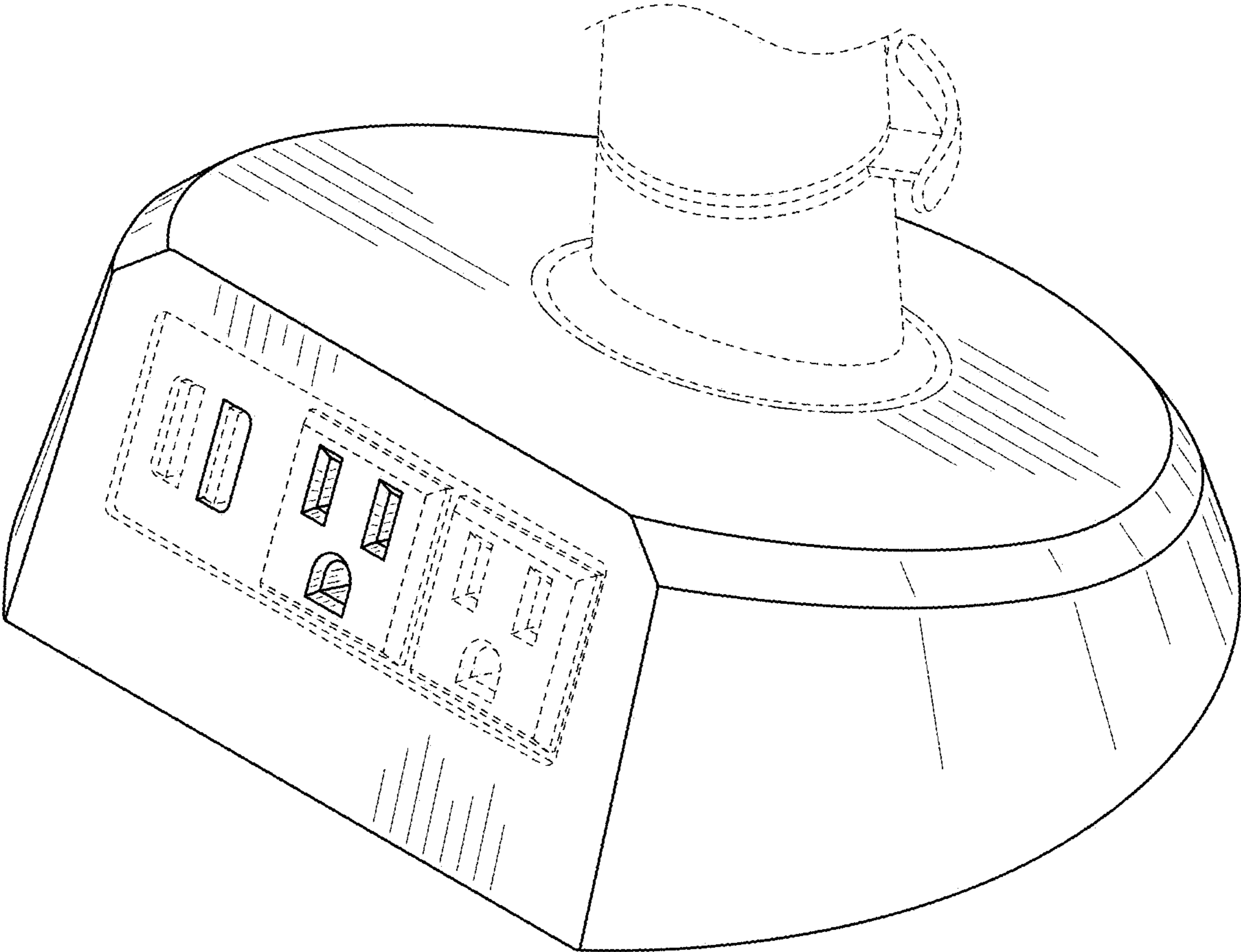


FIG. 7

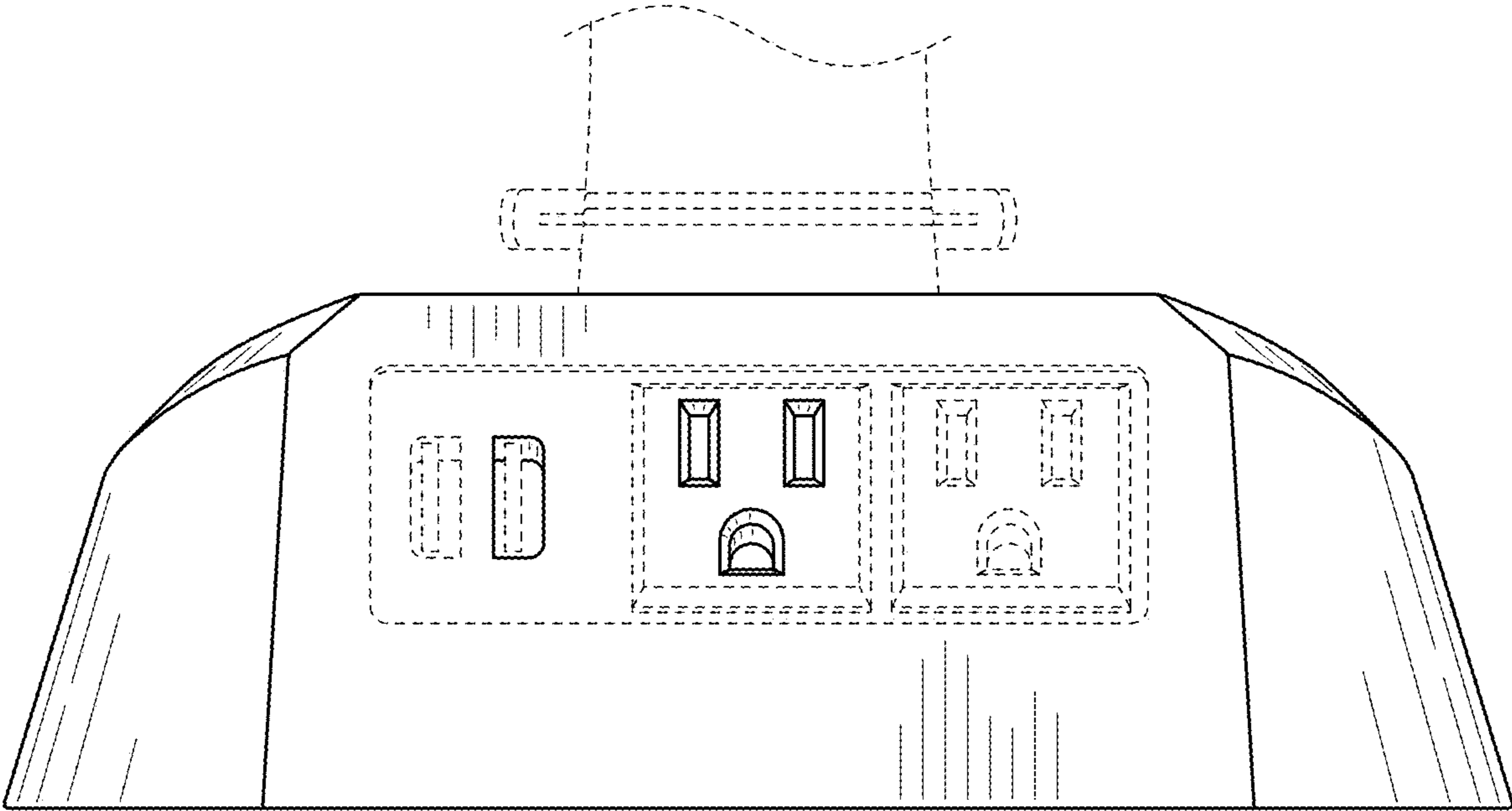


FIG. 8

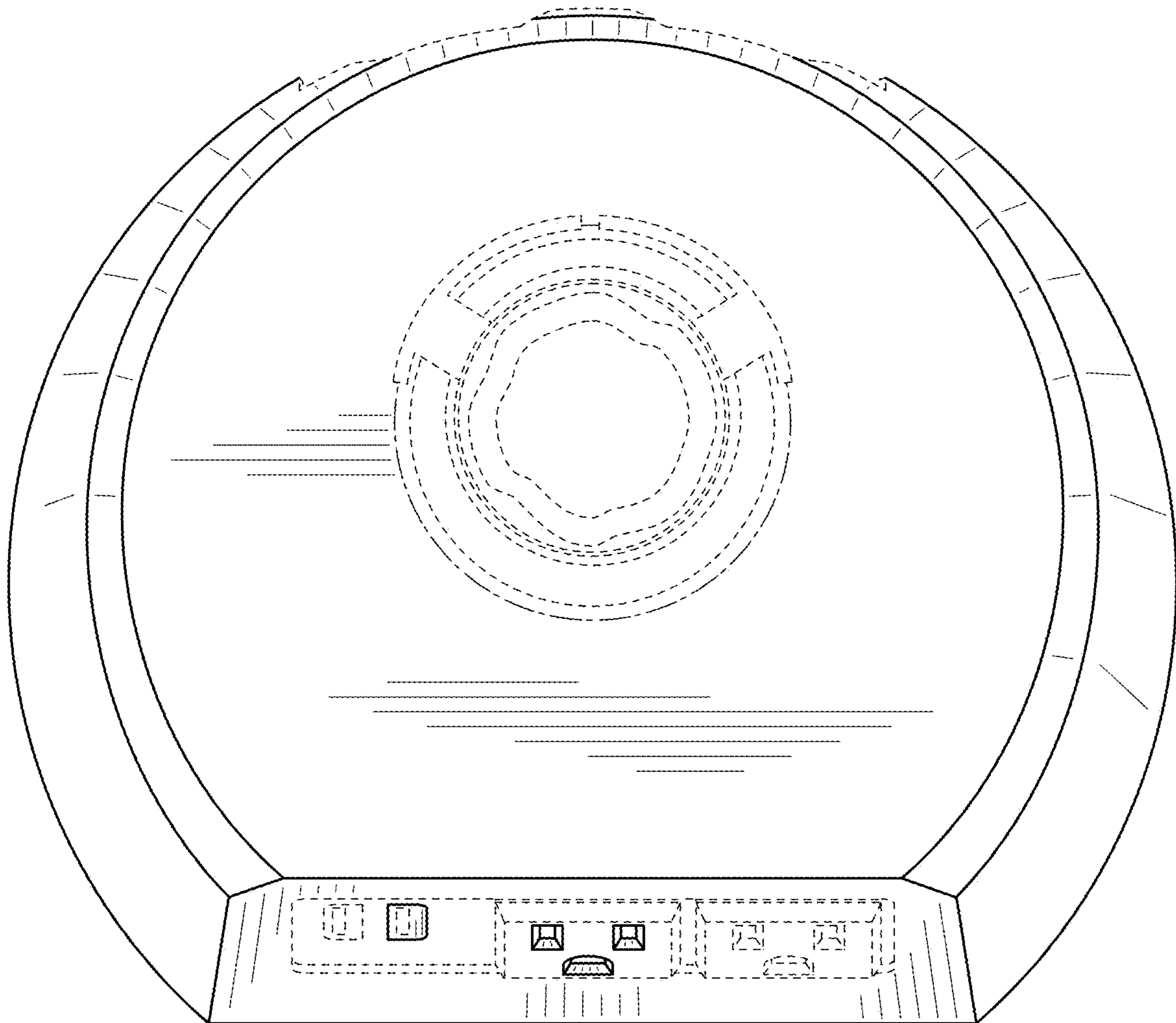


FIG. 9

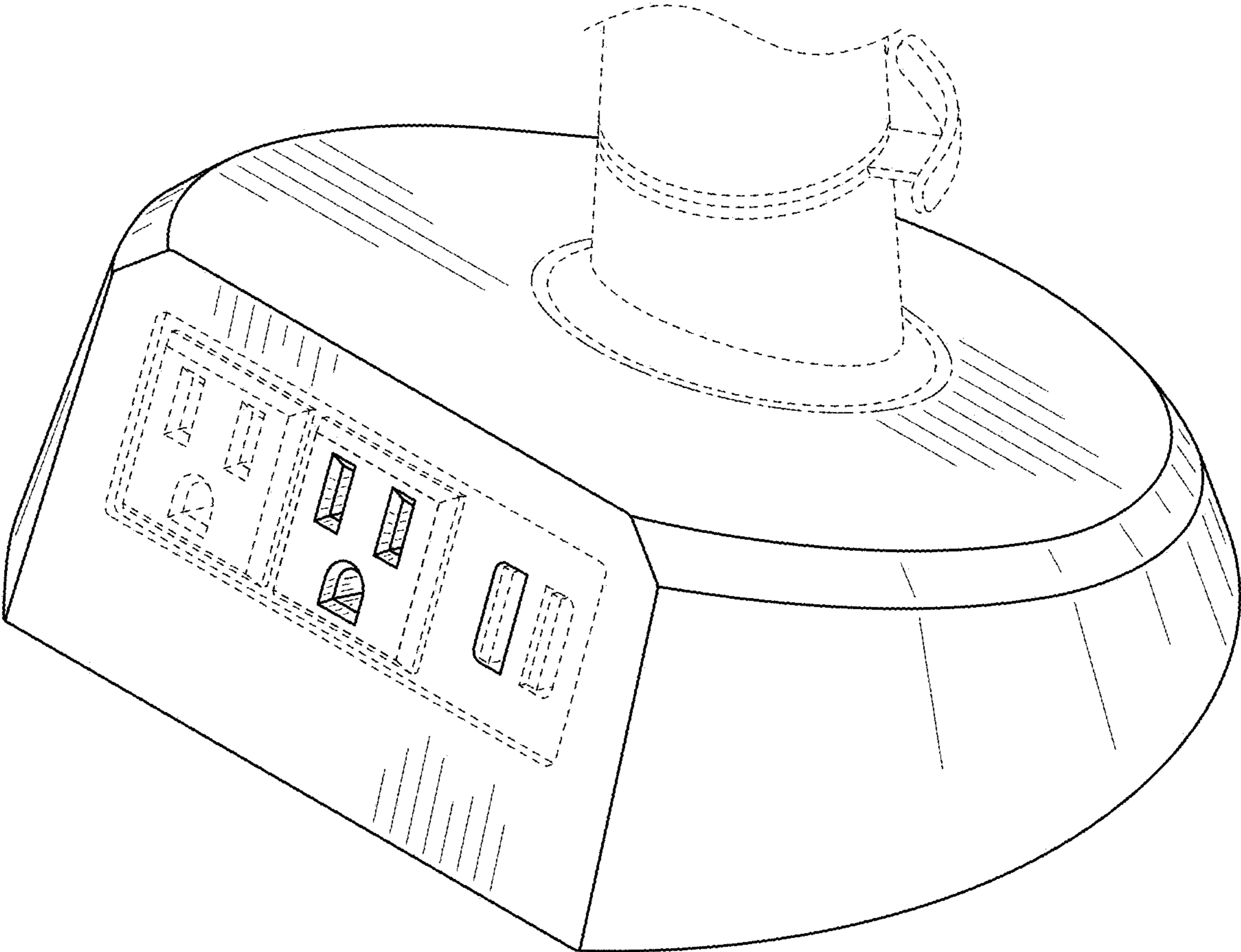


FIG. 10

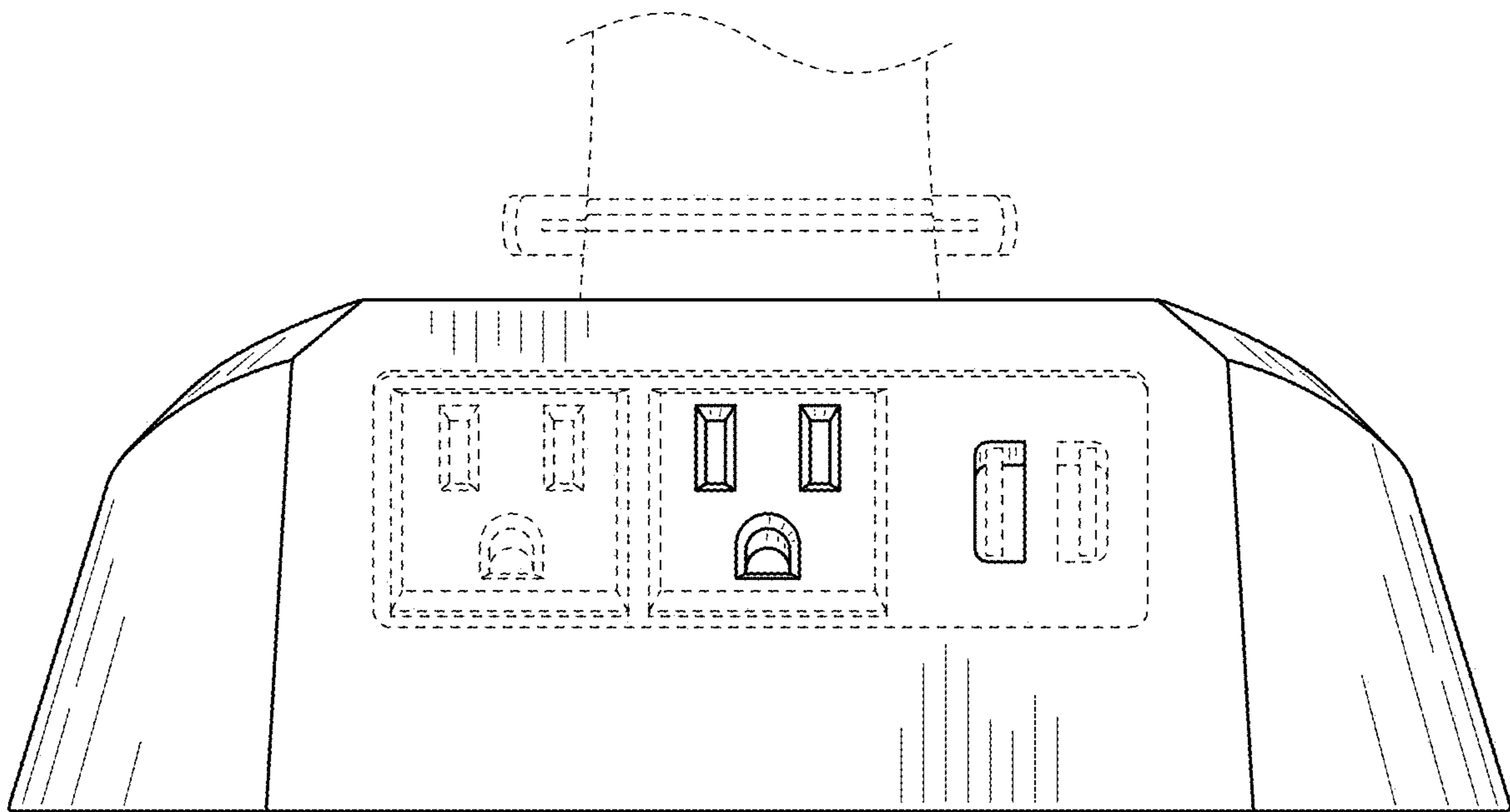


FIG. 11

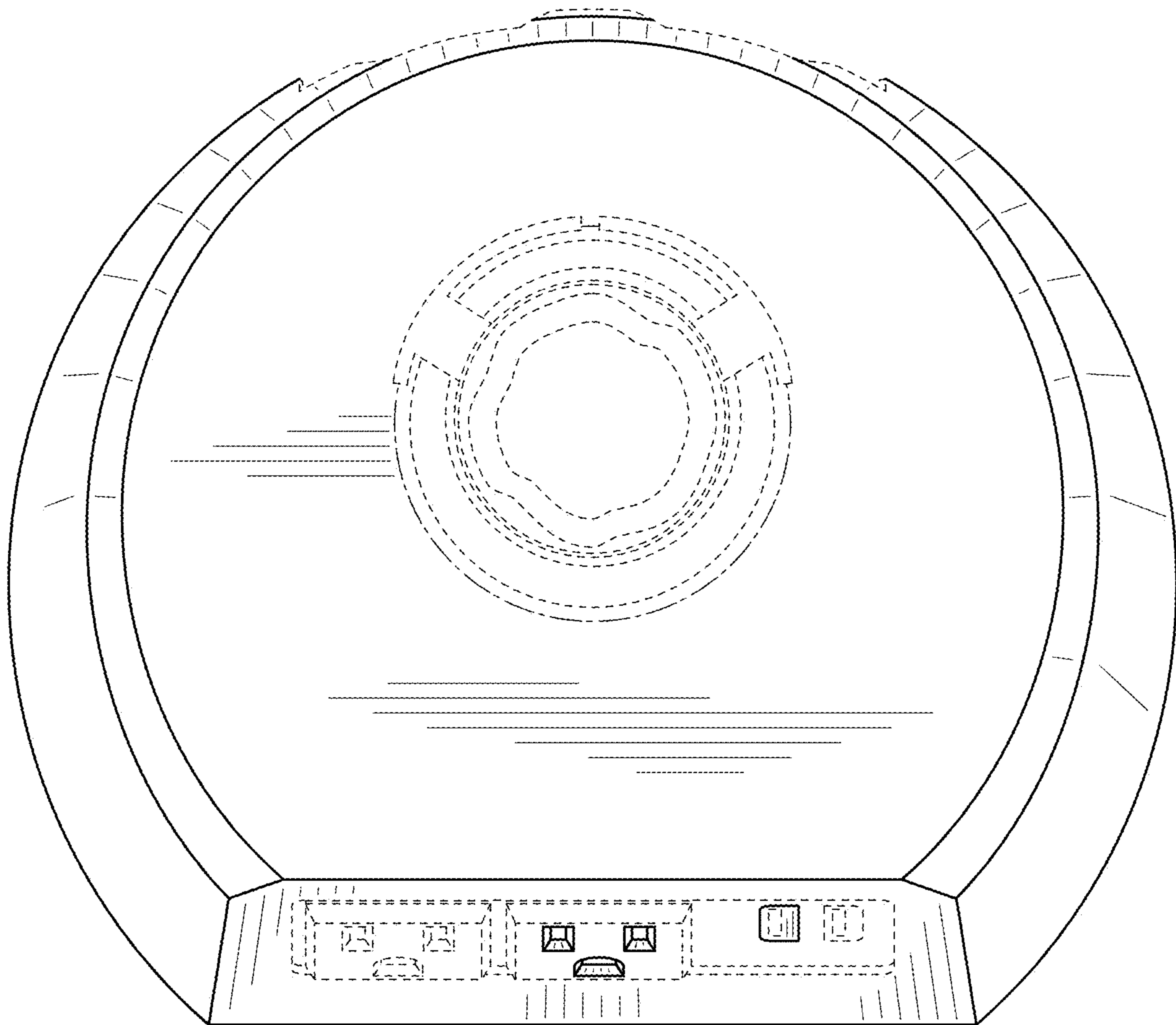


FIG. 12

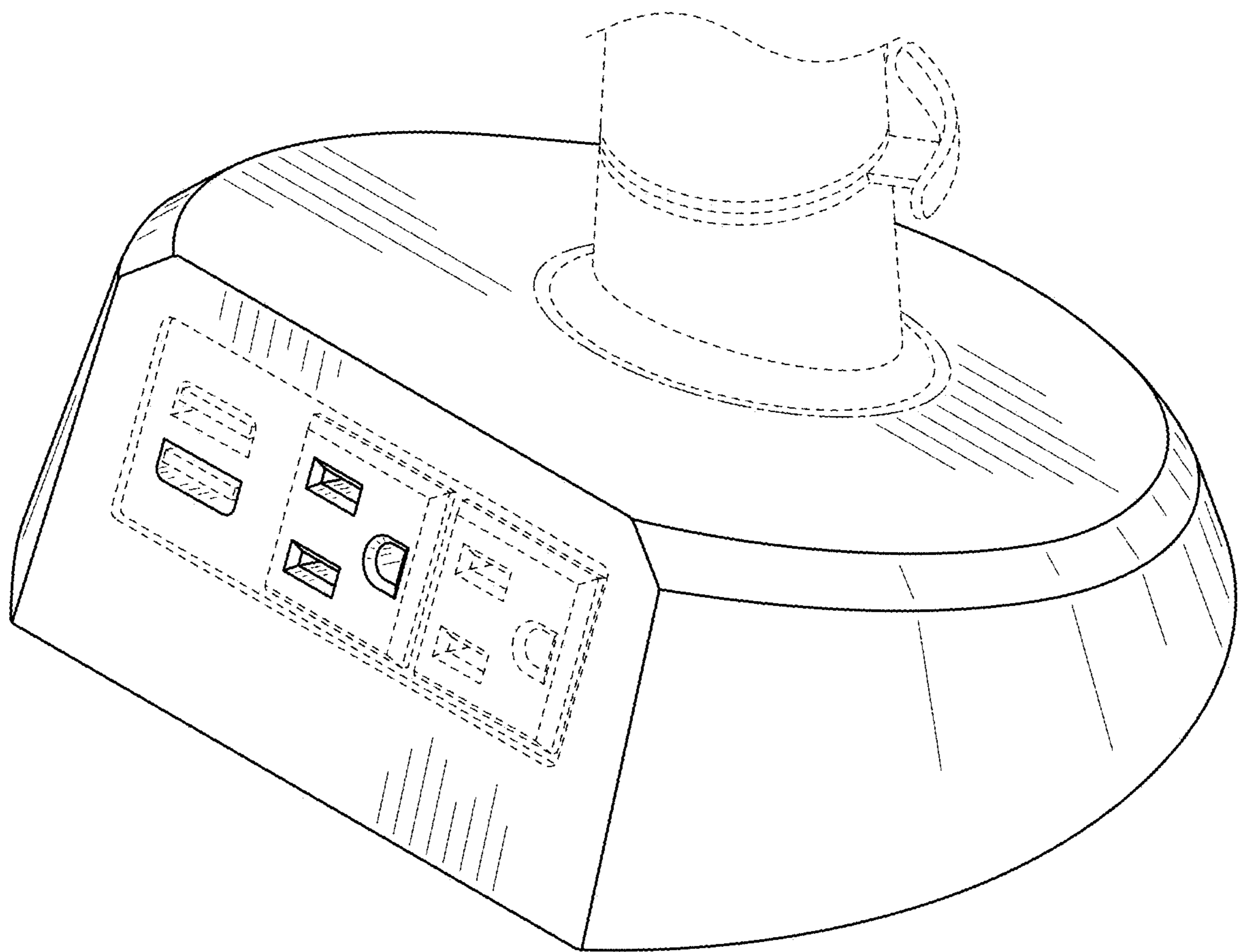


FIG. 13

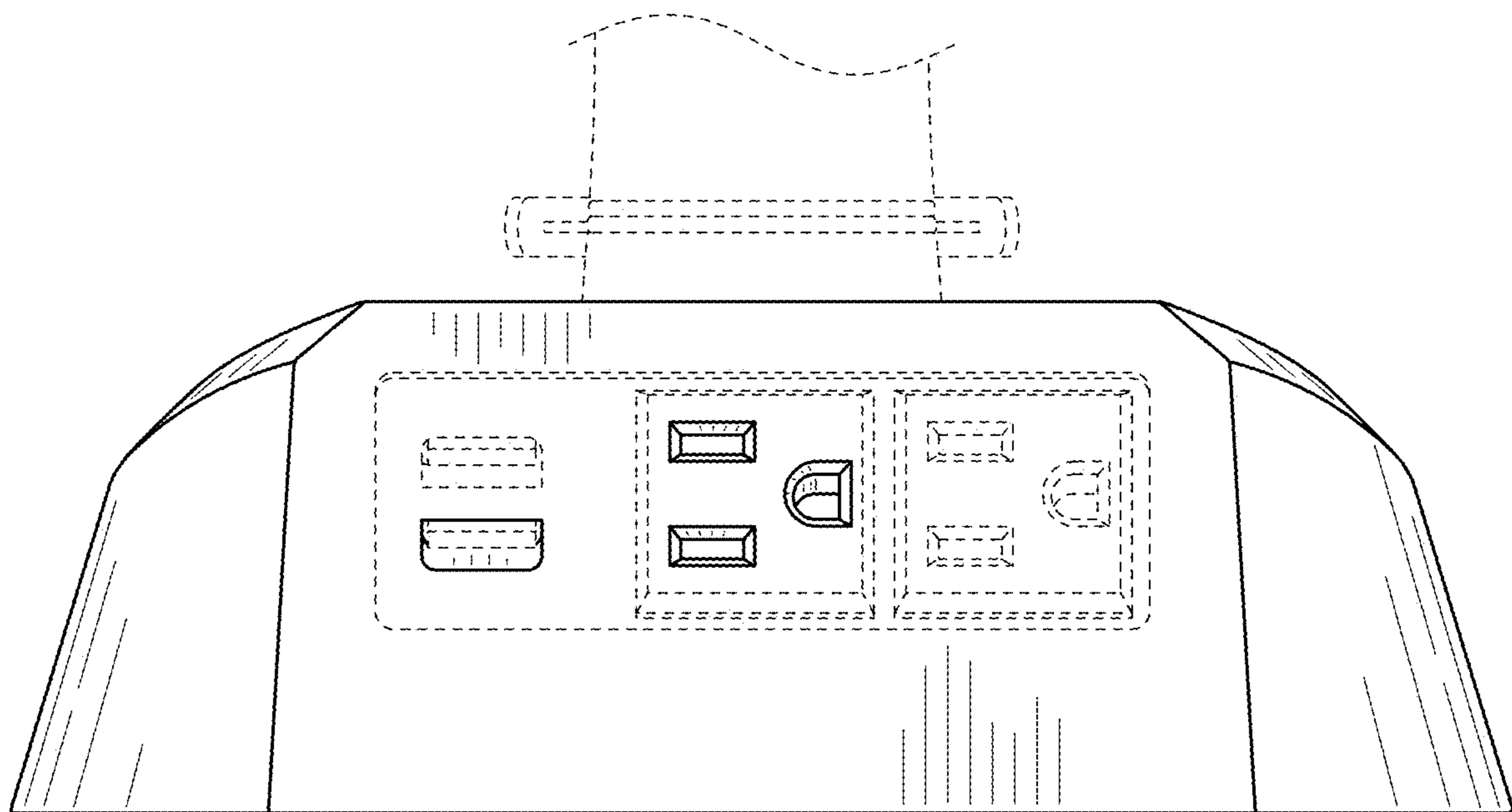


FIG. 14

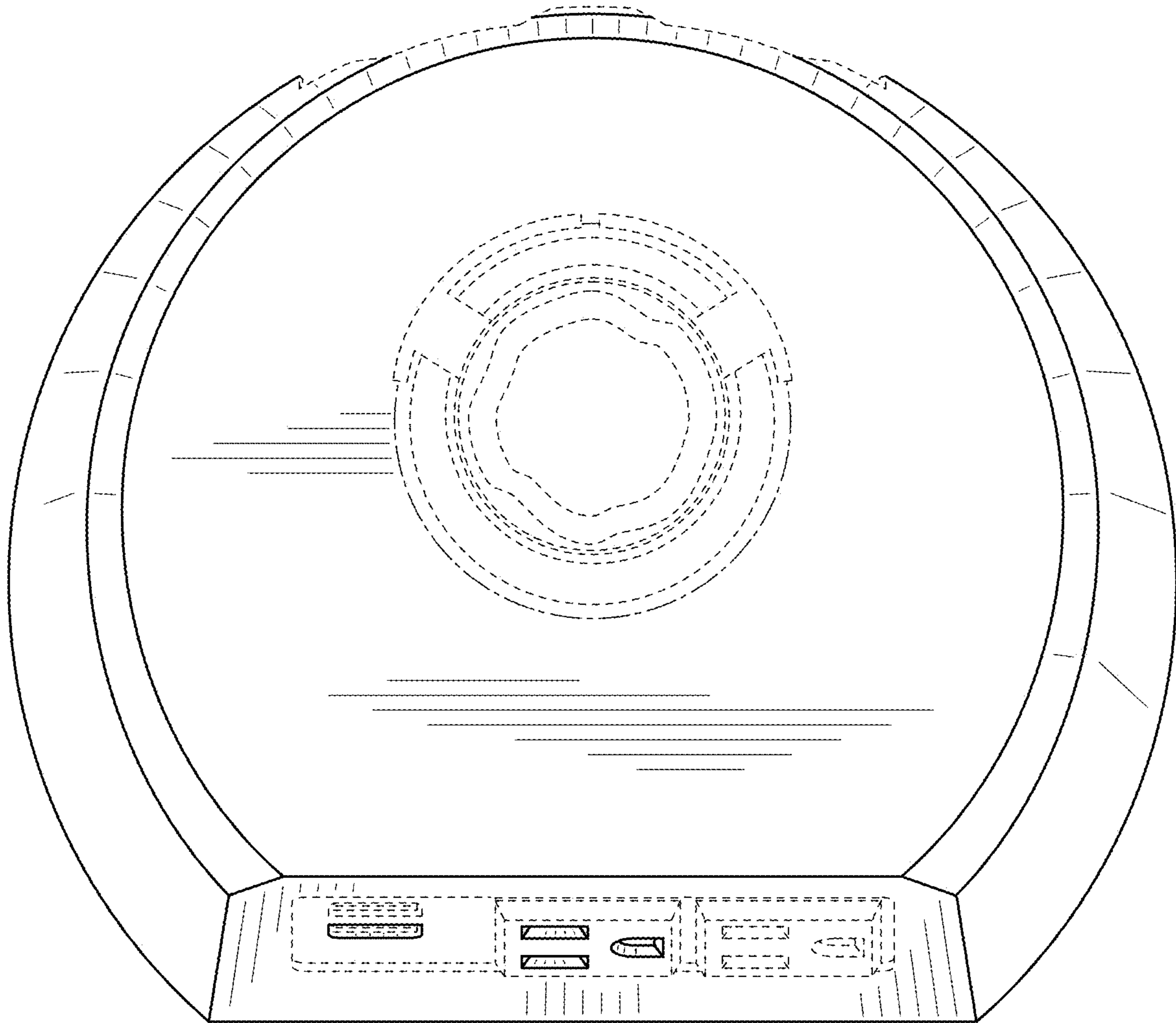


FIG. 15

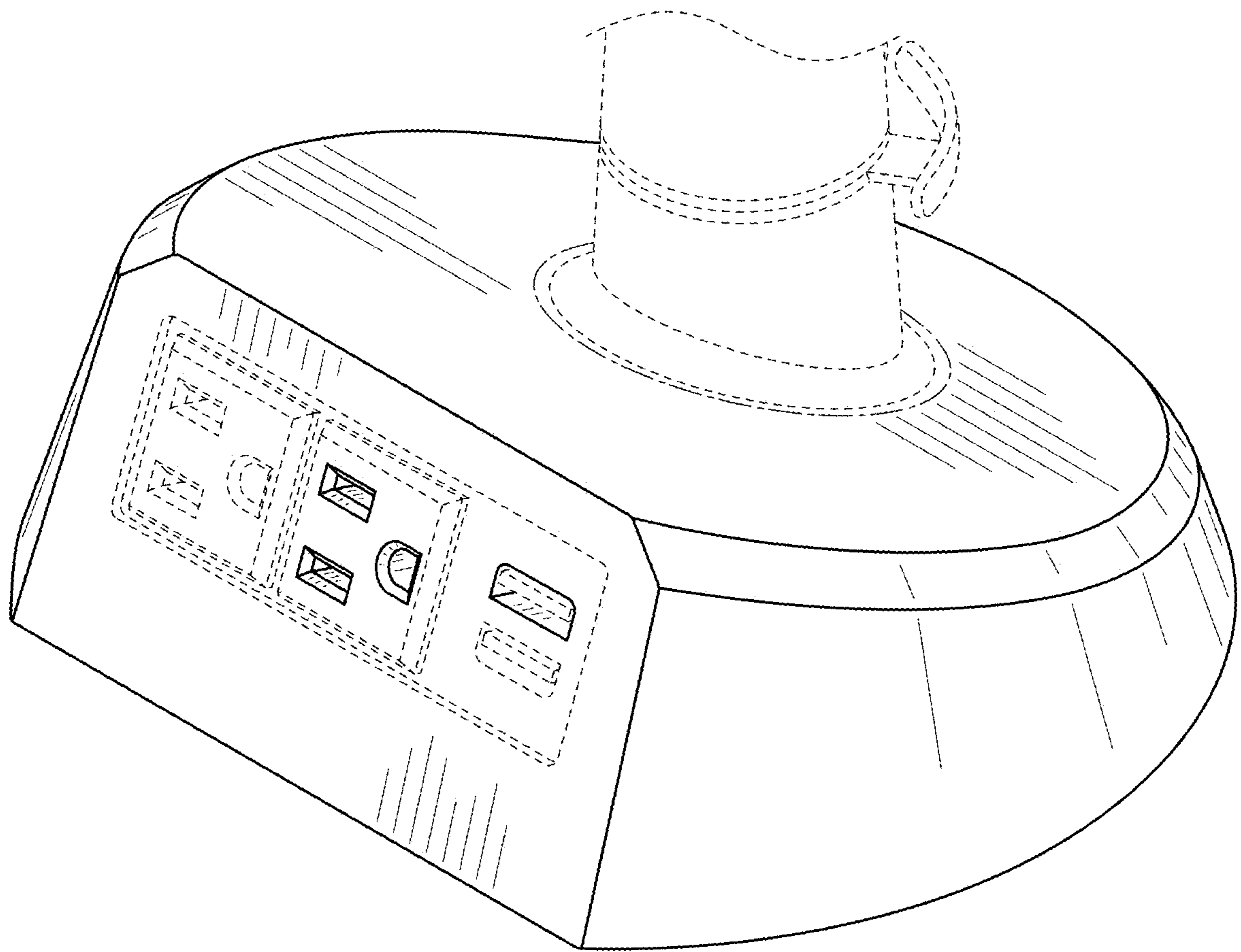


FIG. 16

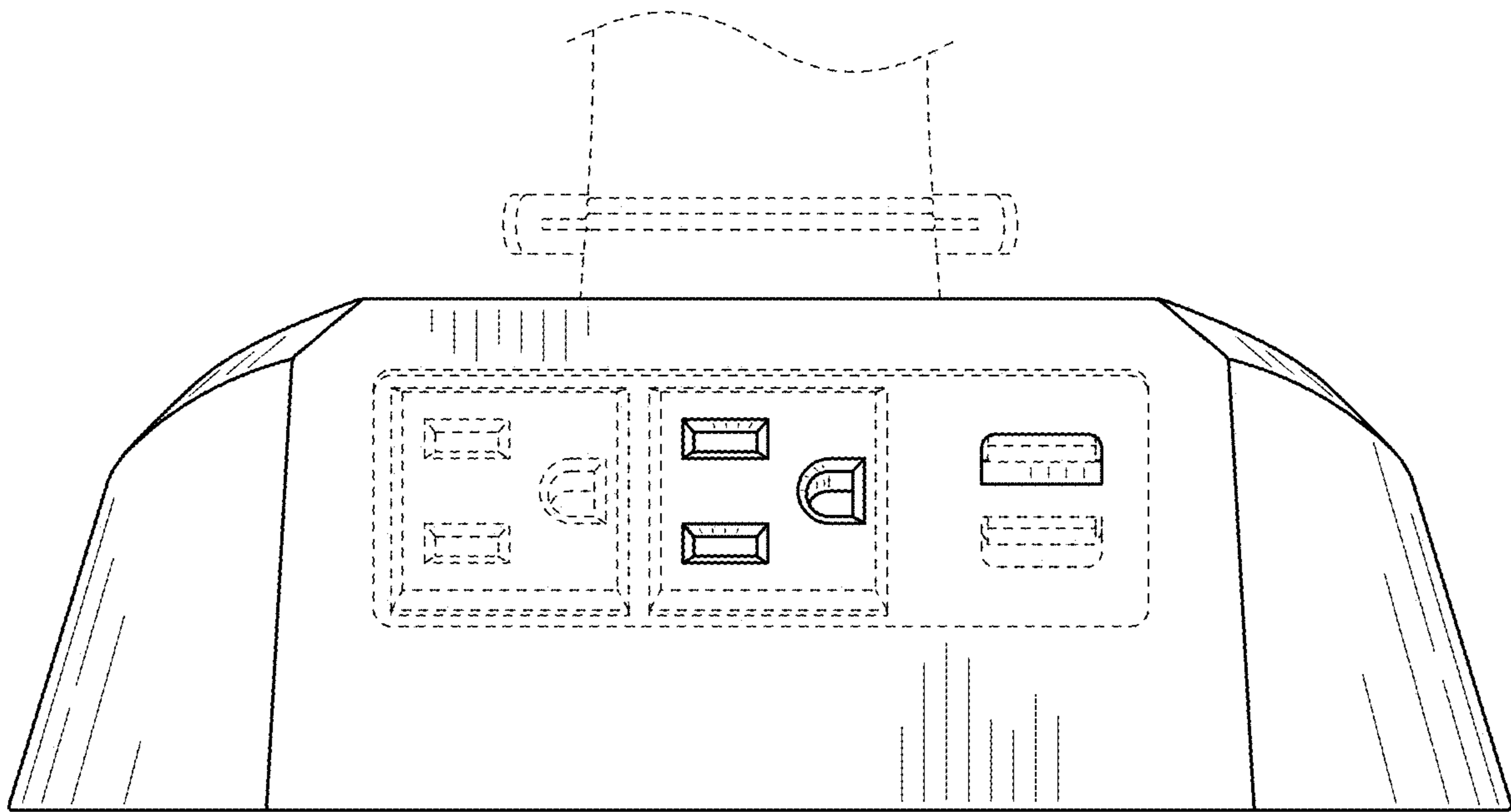


FIG. 17

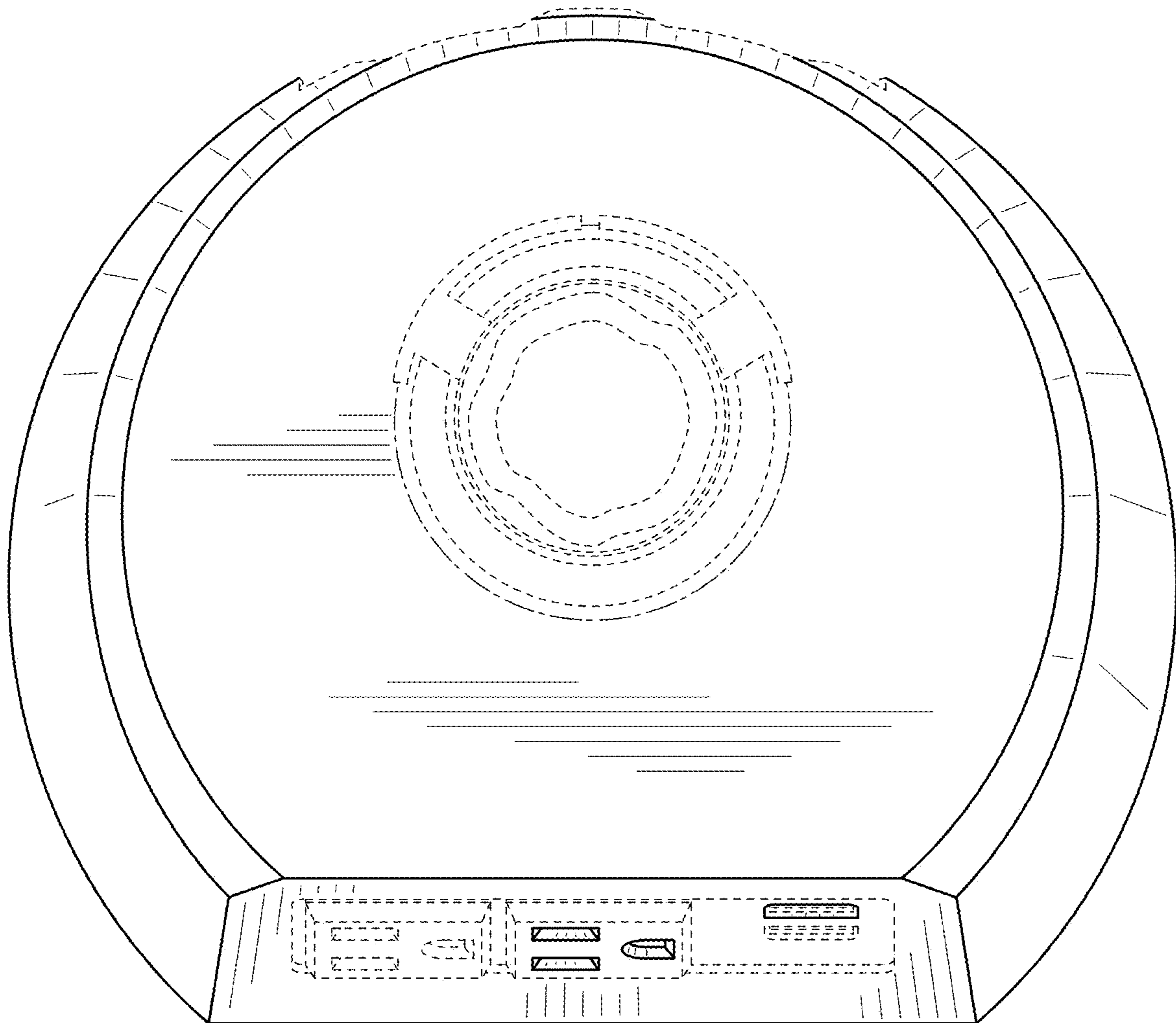


FIG. 18

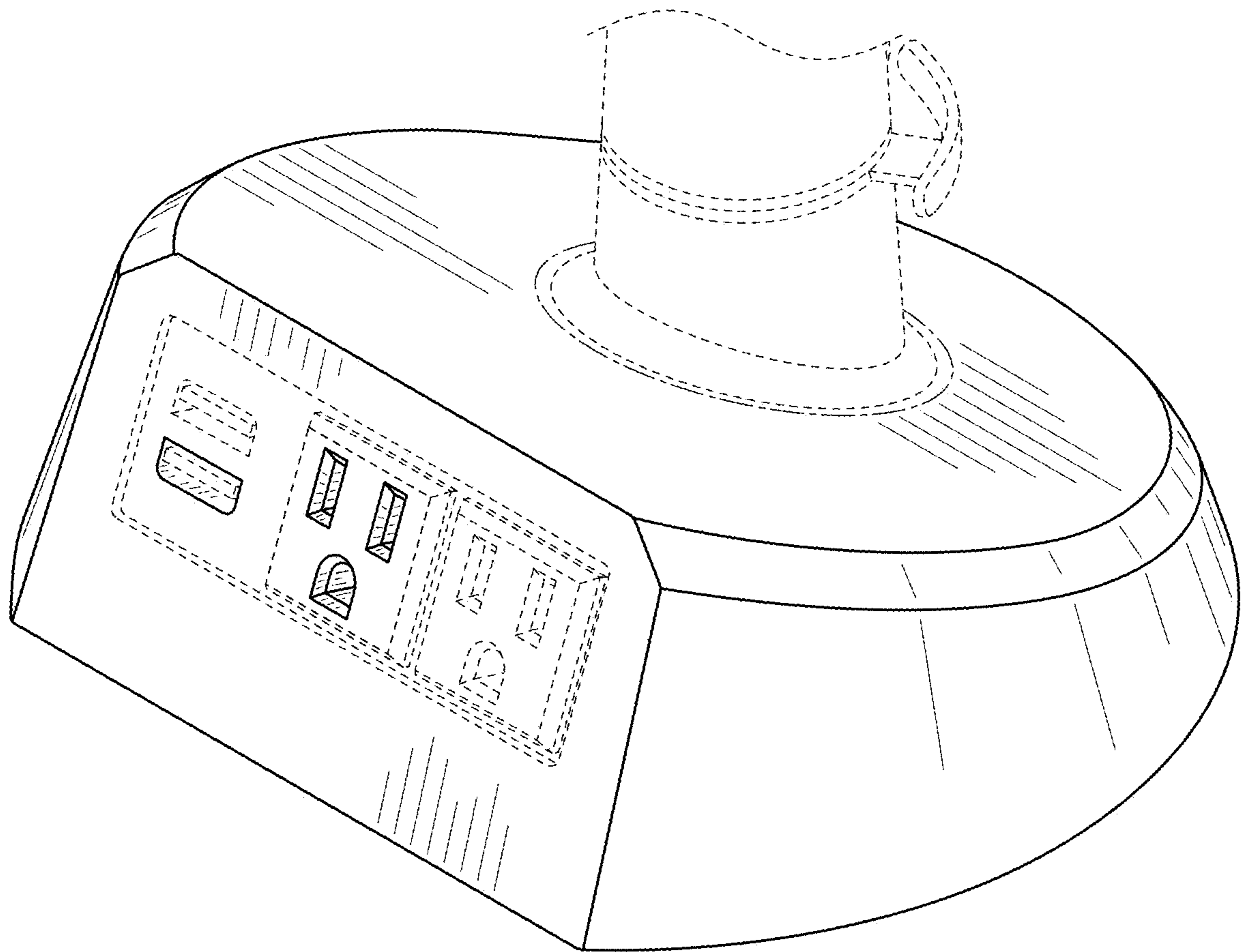


FIG. 19

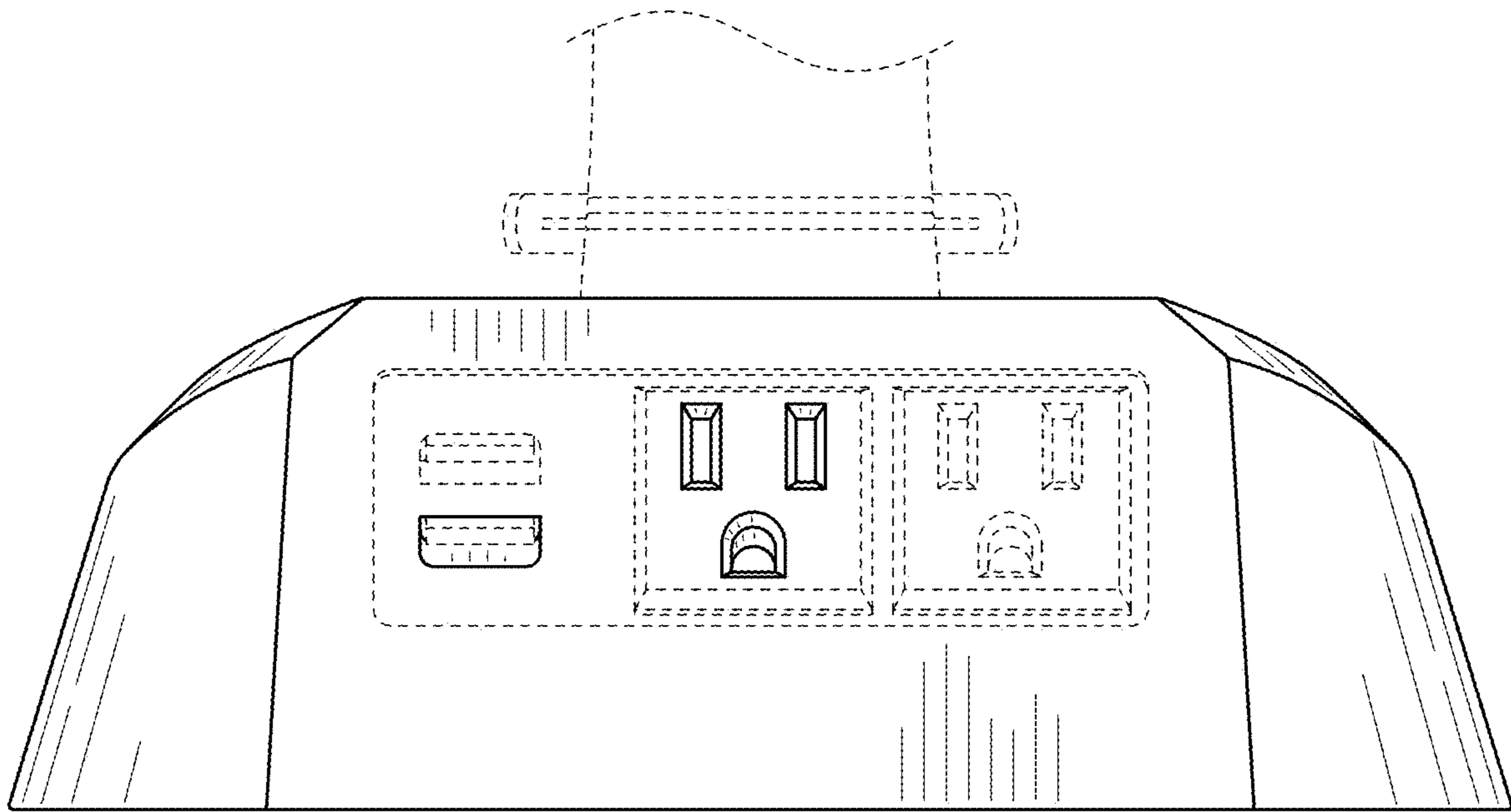


FIG. 20

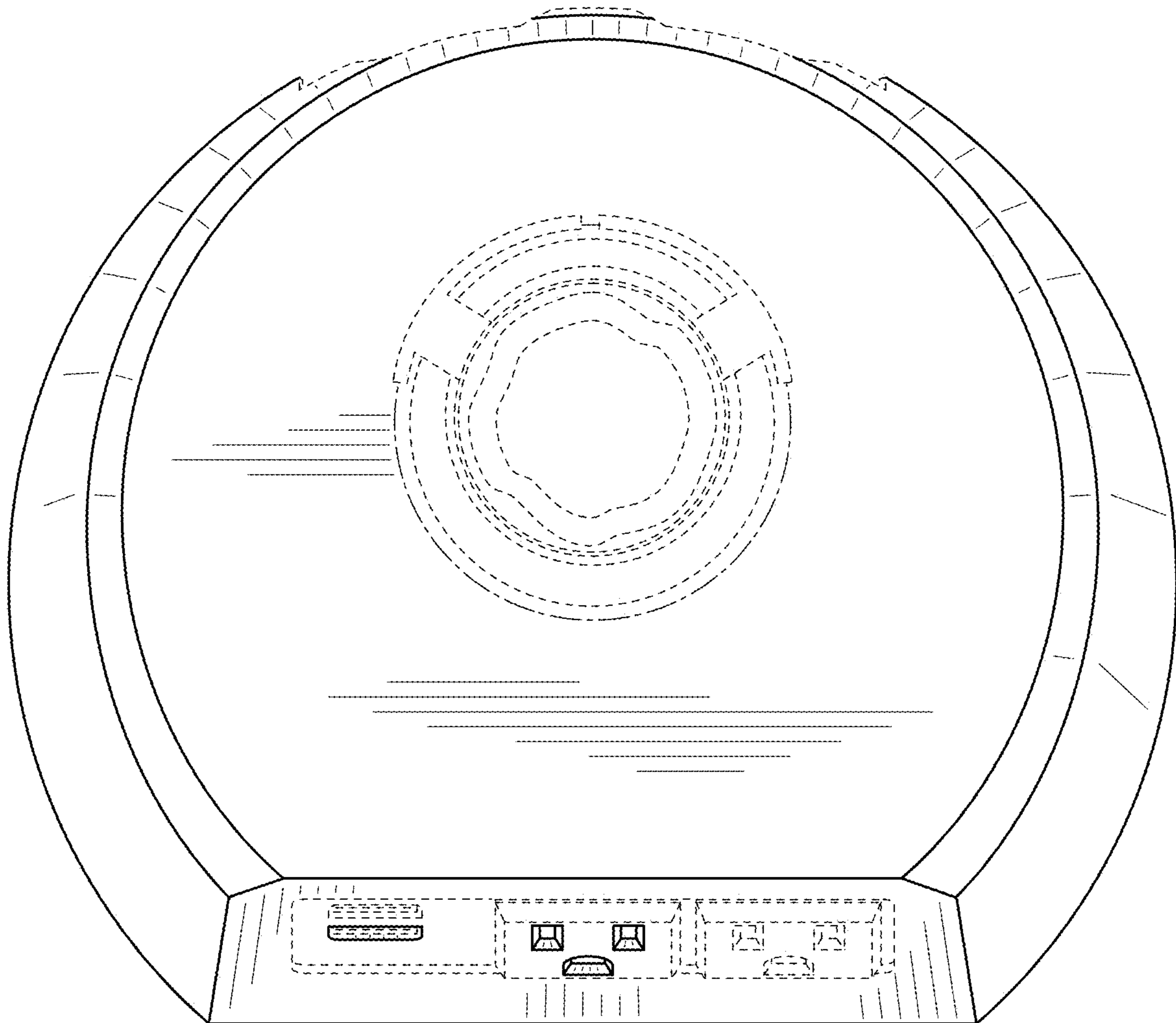


FIG. 21

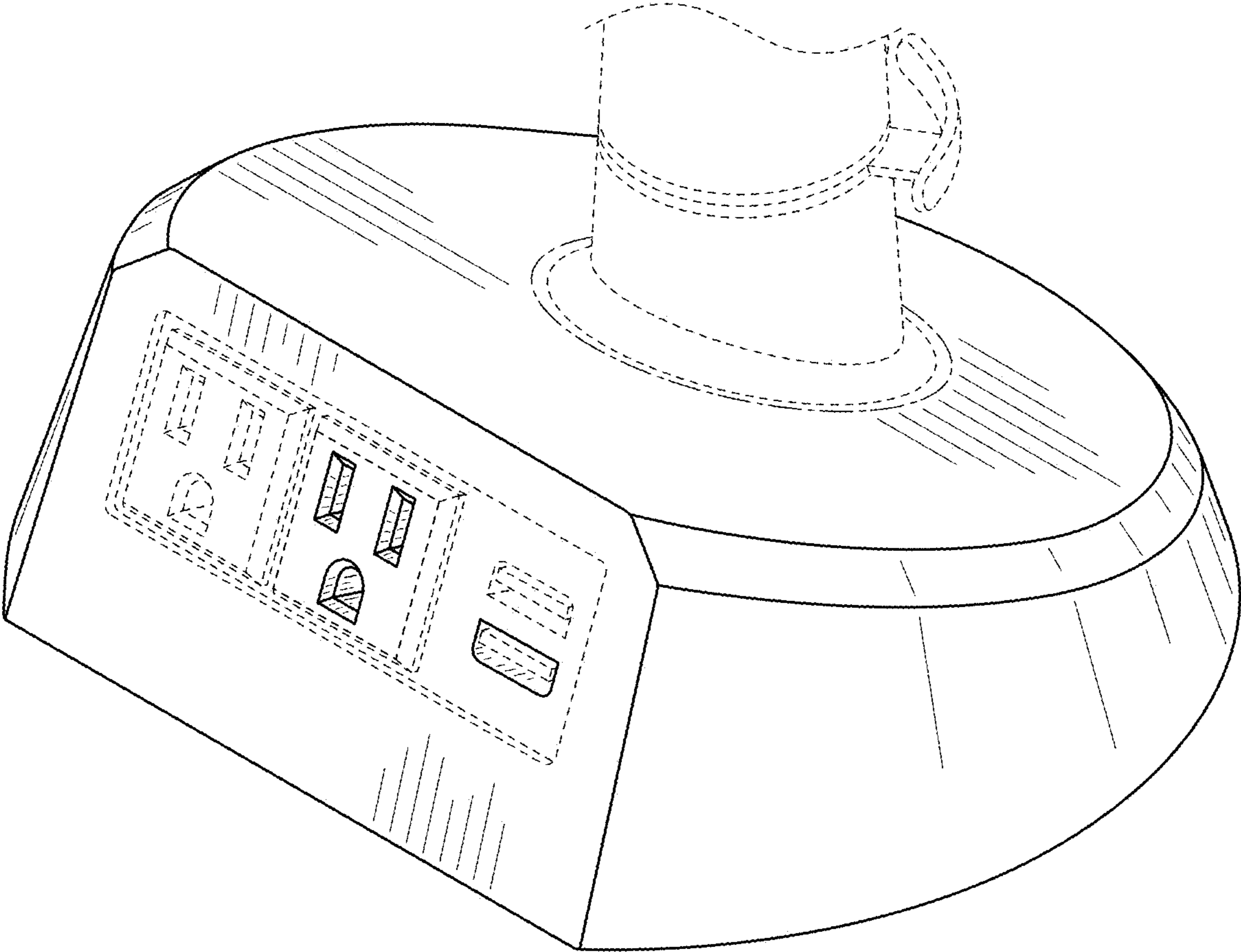


FIG. 22

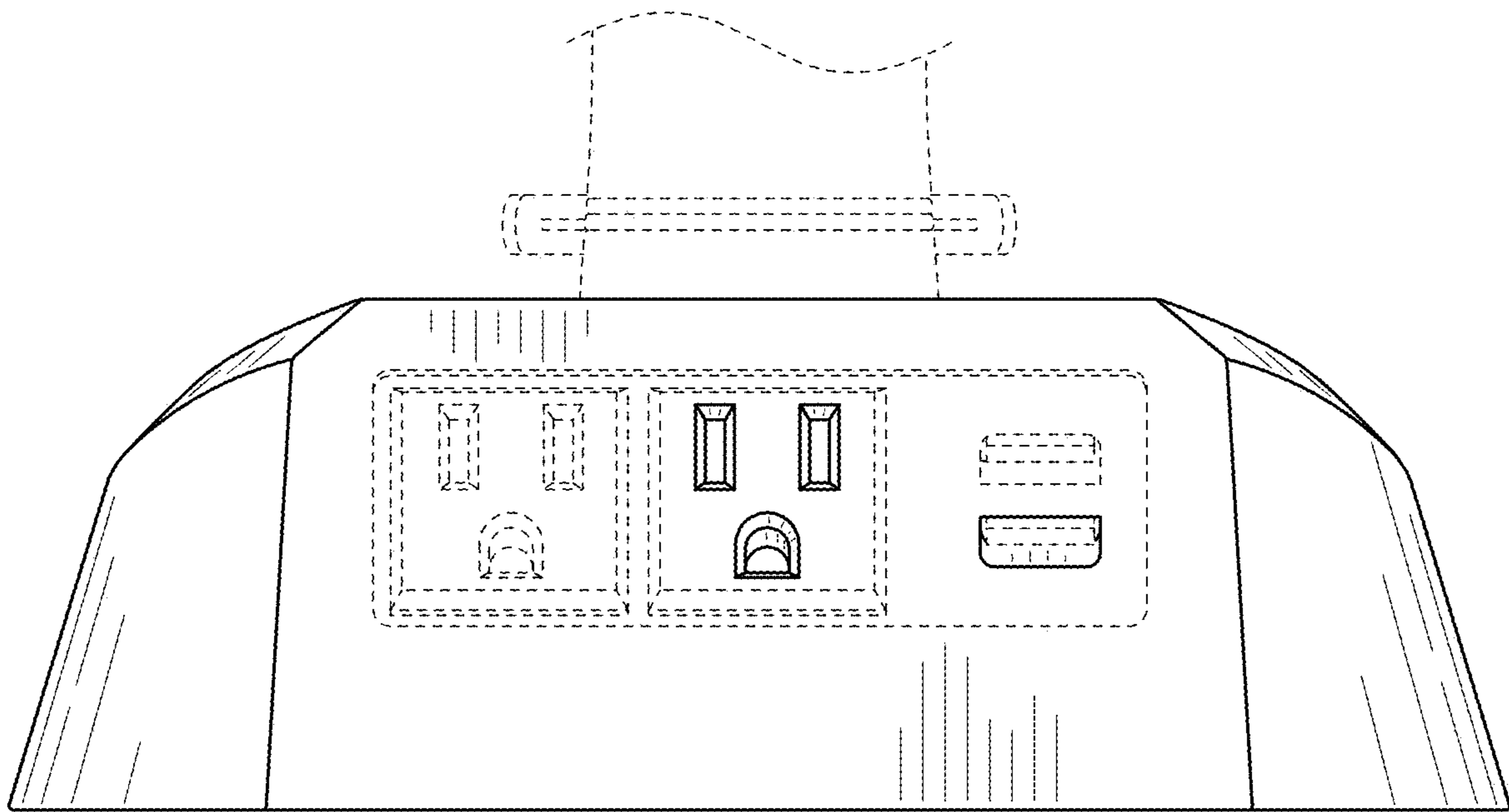


FIG. 23

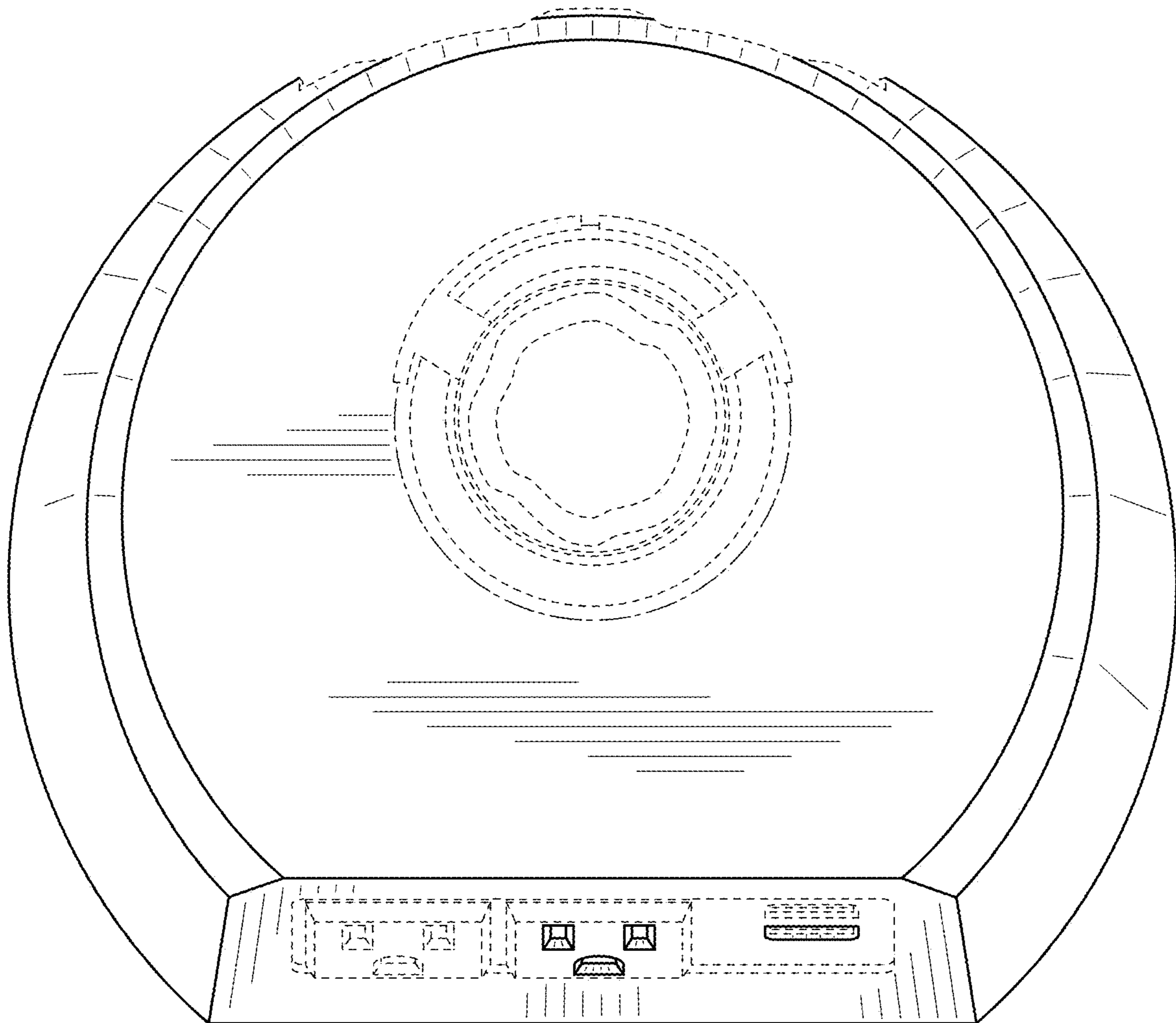


FIG. 24

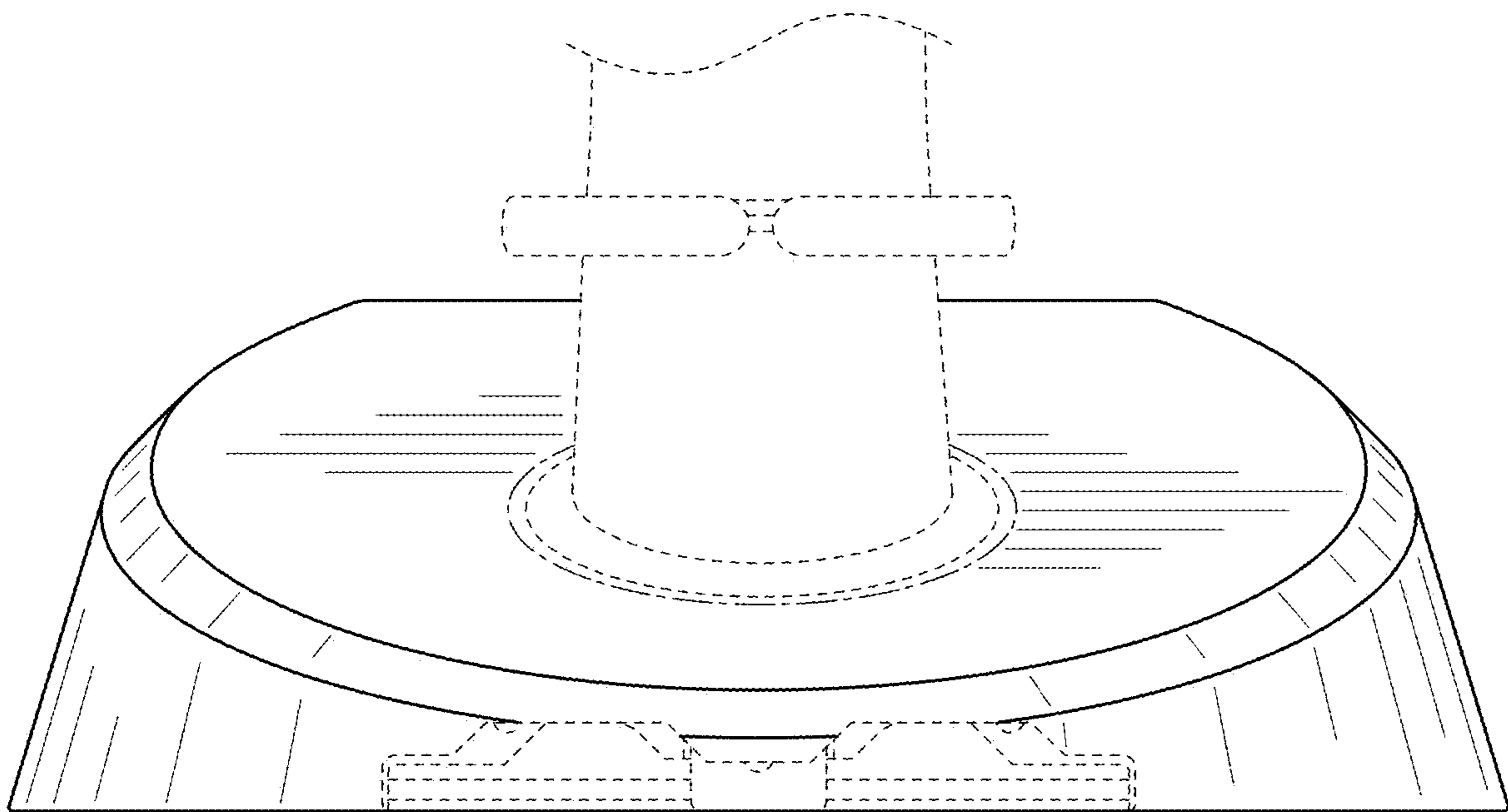


FIG. 25

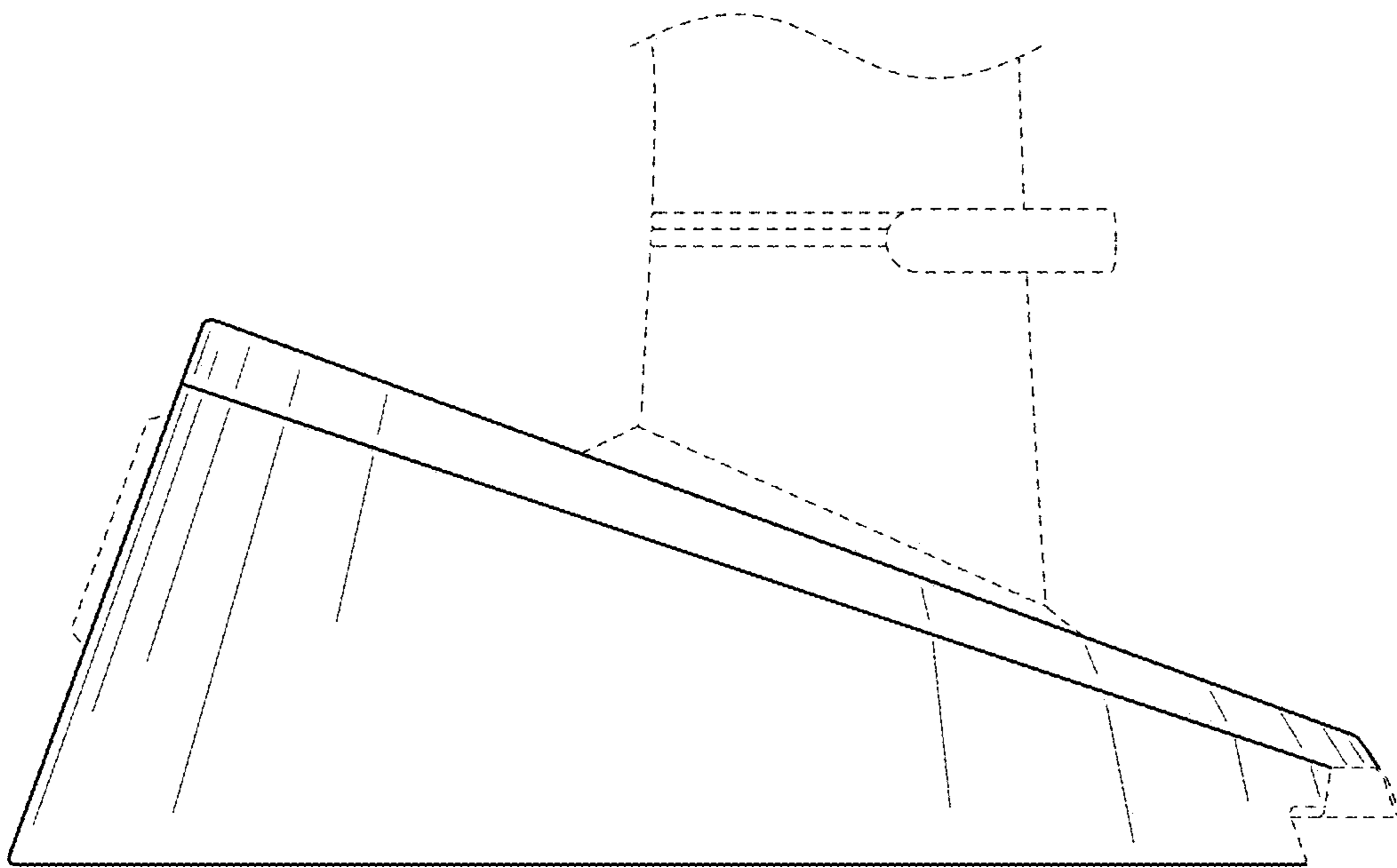


FIG. 26

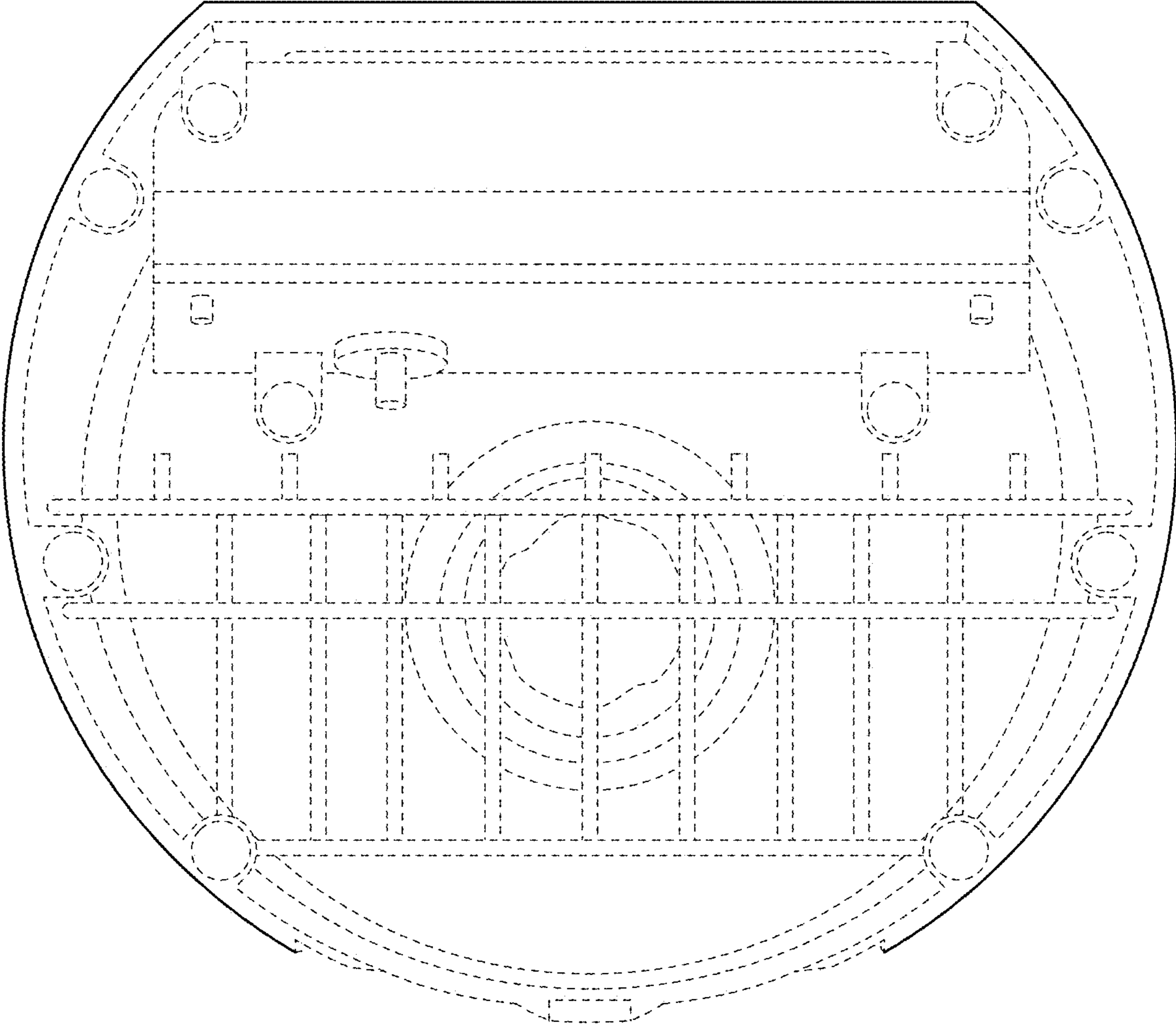


FIG. 27