



US00D911969S

(12) **United States Design Patent**  
**Canizares et al.**

(10) **Patent No.:** **US D911,969 S**  
(45) **Date of Patent:** **\*\* Mar. 2, 2021**

(54) **PLUG ADAPTER**

(71) Applicant: **Amazon Technologies, Inc.**, Seattle, WA (US)

(72) Inventors: **Wilfrido Loor Canizares**, San Francisco, CA (US); **Christopher Green**, San Francisco, CA (US); **Marc Rene Walliser**, San Francisco, CA (US)

(73) Assignee: **Amazon Technologies, Inc.**, Seattle, WA (US)

(\*\*) Term: **15 Years**

(21) Appl. No.: **29/722,916**

(22) Filed: **Feb. 3, 2020**

**Related U.S. Application Data**

(62) Division of application No. 29/600,473, filed on Apr. 12, 2017, now Pat. No. Des. 874,403.

(51) **LOC (13) Cl.** ..... **13-03**

(52) **U.S. Cl.**  
USPC ..... **D13/137.2**

(58) **Field of Classification Search**  
USPC ..... D13/107, 108, 110, 123, 133,  
D13/137.1-137.4, 138.1-138.2,  
D13/139.1-139.8, 146, 147, 151-156,  
D13/184, 199, 164, 103; D8/350,  
D8/353-356

CPC ..... H01R 11/00; H01R 9/00; H01R 13/00;  
H01R 13/04; H01R 13/10; H01R  
13/6666; H01R 13/6675; H01R 13/46;  
H01R 25/00; H01R 25/006; H01R 24/28;  
H01H 2207/00; H01H 2207/022; H01B  
7/2806; Y02E 60/10; Y02E 60/12; Y02E  
60/122; Y02E 60/124; Y02E 60/50;  
H01M 2/02; H01M 2/022; H01M 2/0202;  
H01M 2/0207; H01M 2/0212; H01M  
2/1061; H01M 2/1022; H01M 2/1055;  
H01M 2/1066; H01M 2/105; H01M 2/20;  
H01M 2/202; H01M 2/204; H01M 2/206;

H01M 10/44; H01M 10/46; H01M  
10/465; H01M 10/482; H01M 10/4257;  
H01M 10/0436; H01M 10/48; H01M  
2200/30; H01M 2250/30; H01M 2250/40;  
H02J 7/00; H02J 7/0003; H02J 7/0011;  
H02J 7/0013; H02J 7/0054; H02J 7/0055;  
H02J 7/0057; H02J 2007/0062

See application file for complete search history.

(56) **References Cited**

U.S. PATENT DOCUMENTS

D442,550 S \* 5/2001 Tong ..... D13/137.2  
D547,271 S \* 7/2007 Ng ..... D13/137.1  
D623,595 S \* 9/2010 Ruffner ..... D13/110  
D657,314 S \* 4/2012 Ruffner ..... D13/139.1

(Continued)

*Primary Examiner* — Christy Nemeth

(74) *Attorney, Agent, or Firm* — Lee & Hayes, P.C.

(57) **CLAIM**

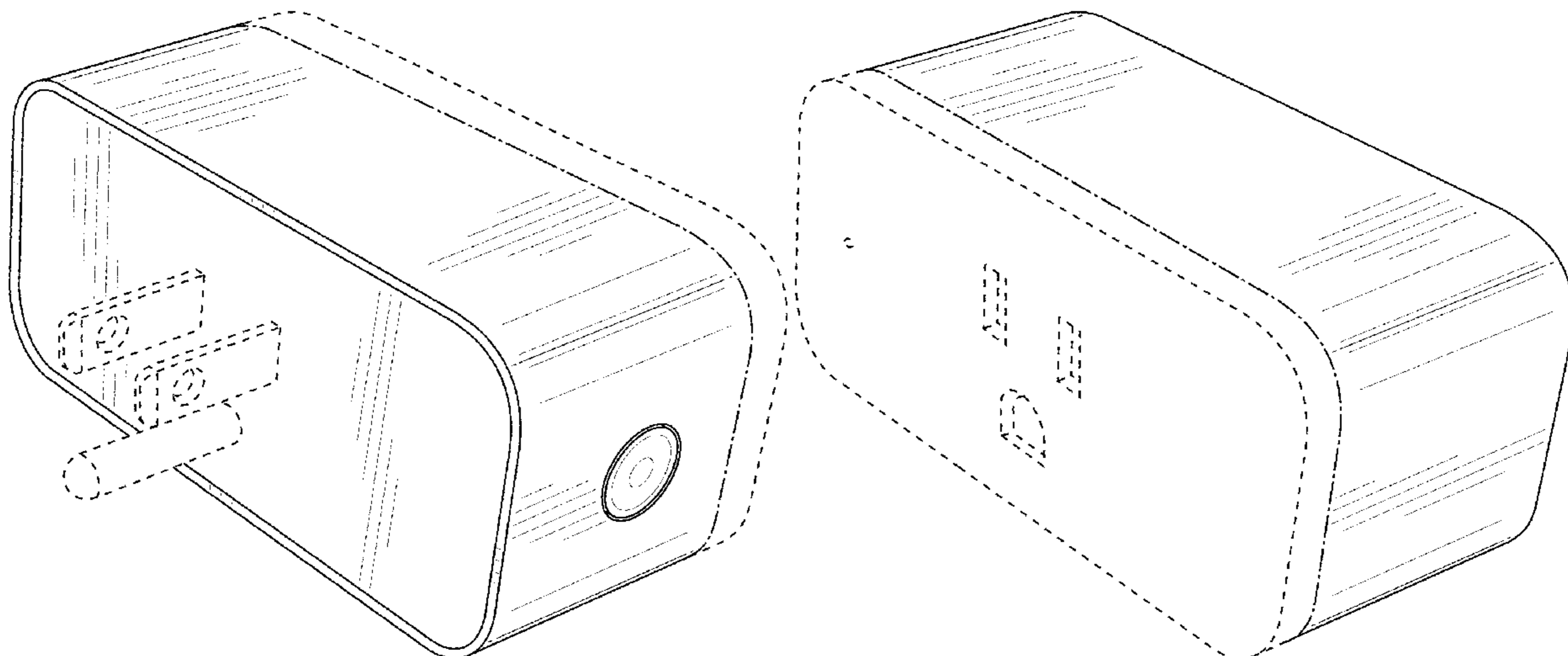
The ornamental design for a plug adapter, as shown and described.

**DESCRIPTION**

FIG. 1 is a top, back perspective view of a plug adapter;  
FIG. 2 is a top, front perspective view thereof;  
FIG. 3 is a front view thereof;  
FIG. 4 is a back view thereof;  
FIG. 5 is a left-side view thereof;  
FIG. 6 is a right-side view thereof;  
FIG. 7 is a top view thereof; and,  
FIG. 8 is a bottom view thereof.

The dash broken lines depict portions of the plug adapter that form no part of the claimed design. The dot-dash broken line represents a boundary which forms no part of the claimed design. The claimed design extends to the dot-dash broken line boundaries in the figures but does not include the boundary.

**1 Claim, 8 Drawing Sheets**



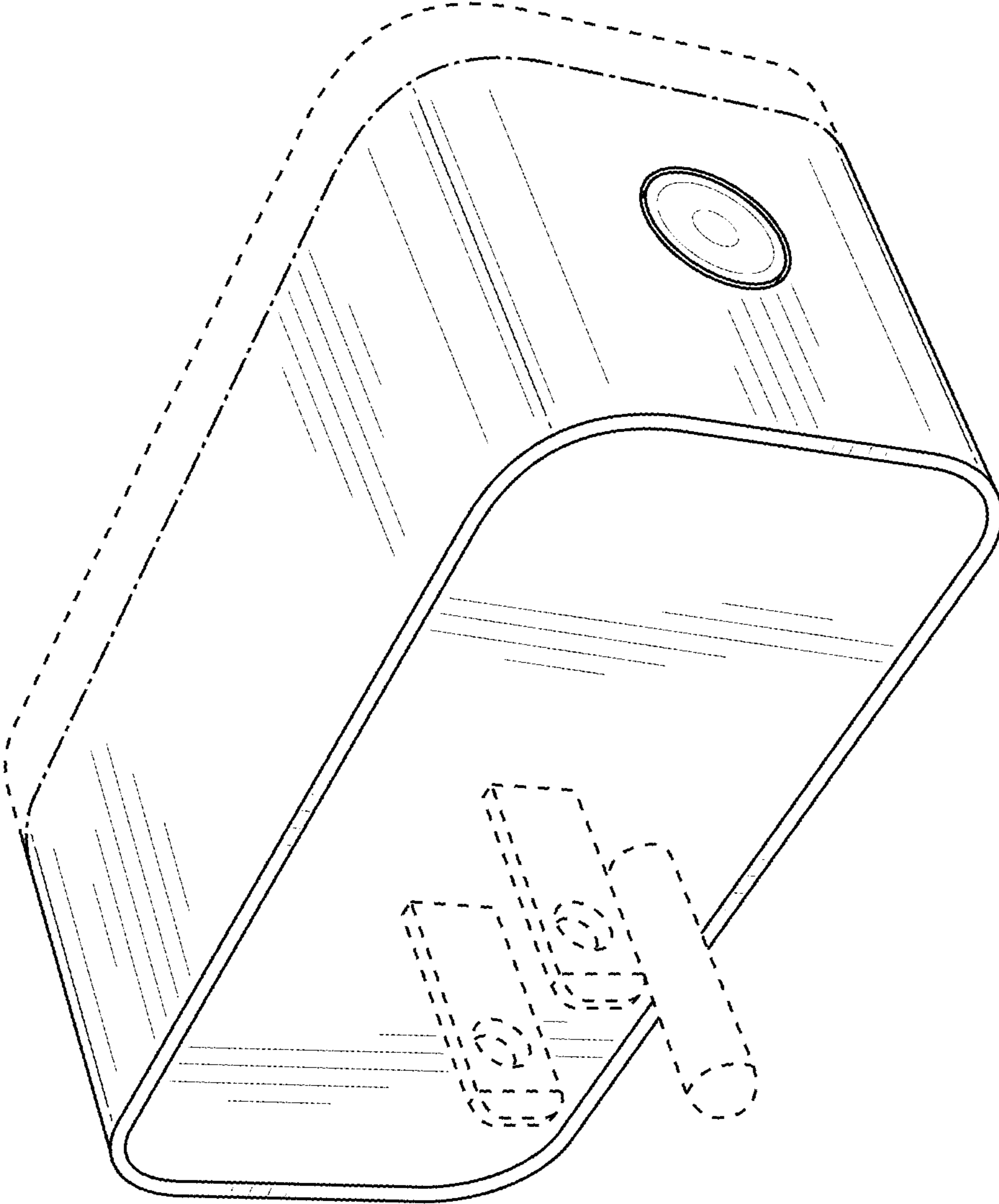
(56)

References Cited

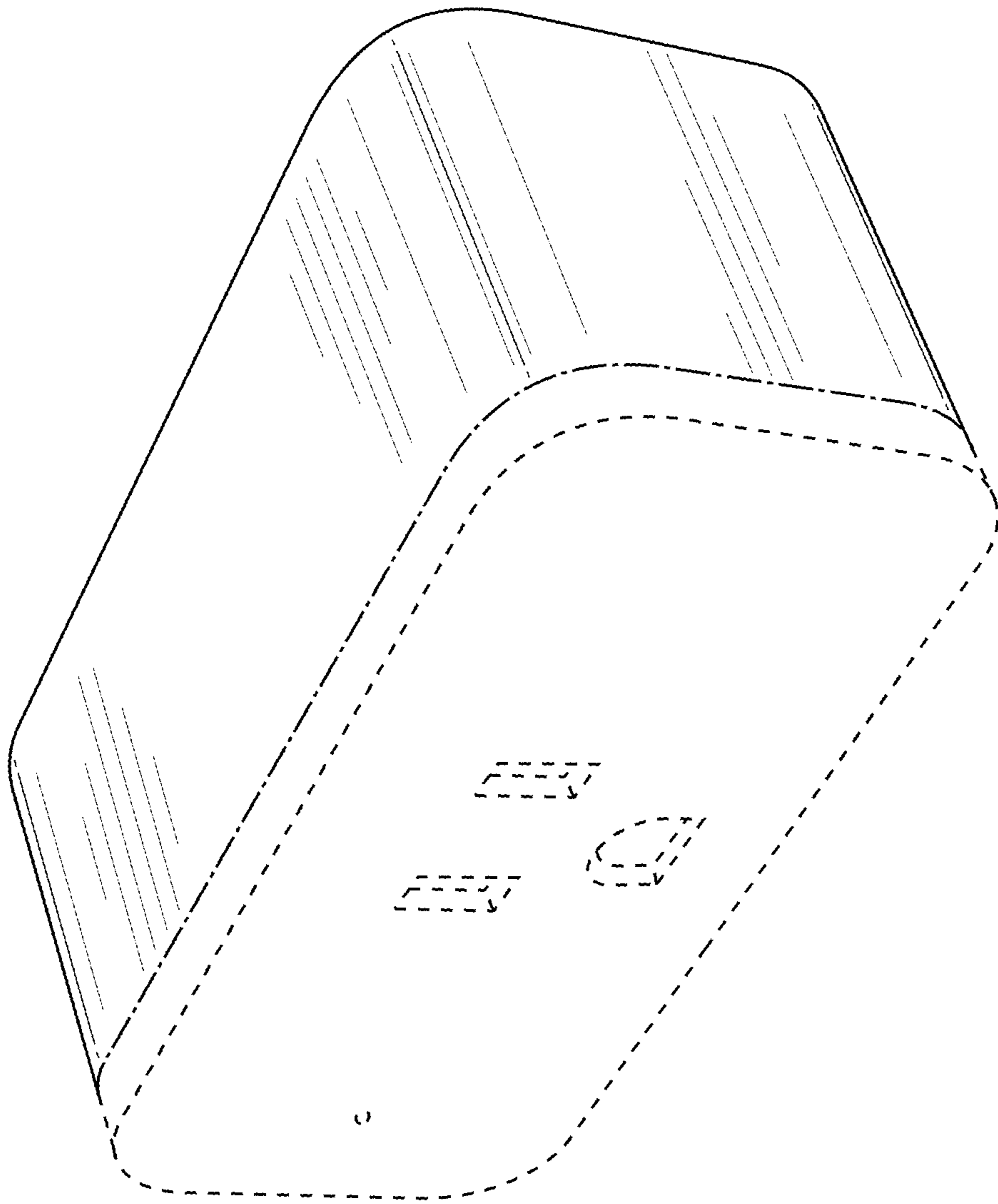
U.S. PATENT DOCUMENTS

D665,354 S *	8/2012	Chen	D13/138.1	D835,042 S *	12/2018	Qiu	D13/137.2
D680,953 S *	4/2013	Kuo	D13/137.2	D835,043 S *	12/2018	Liao	D13/137.3
D687,375 S *	8/2013	Franco	D13/108	D836,542 S *	12/2018	Xu	D13/107
D750,022 S *	2/2016	Lin	D13/137.2	D836,555 S *	12/2018	Xu	D13/137.2
D751,038 S *	3/2016	Lin	D13/137.2	D838,245 S *	1/2019	Lin	D13/137.2
D755,127 S *	5/2016	Wong	D13/137.2	D842,804 S *	3/2019	Tong	D13/108
D756,303 S *	5/2016	Kellenberger	D13/137.1	D843,943 S *	3/2019	Yang	D13/137.2
D758,312 S *	6/2016	Lin	D13/137.2	D845,900 S *	4/2019	Liu	D13/137.2
D763,795 S *	8/2016	Xu	D13/137.1	D848,947 S *	5/2019	Liu	D13/137.2
D763,796 S *	8/2016	Xu	D13/137.1	D848,948 S *	5/2019	Wei	D13/137.2
D775,588 S *	1/2017	Xu	D13/137.2	D849,687 S *	5/2019	Dai	D13/137.2
D788,709 S *	6/2017	Yeo	D13/137.2	D851,035 S *	6/2019	Hong	D13/108
D791,076 S *	7/2017	Kim	D13/108	D851,597 S *	6/2019	Ding	D13/137.2
D799,422 S *	10/2017	Chen	D13/108	D852,132 S *	6/2019	Nauroy	D13/108
D804,412 S *	12/2017	Huang	D13/108	D852,138 S *	6/2019	Wen	D13/137.1
D807,295 S *	1/2018	Xu	D13/137.2	D852,139 S *	6/2019	Wen	D13/137.1
D808,903 S *	1/2018	Koenig	D13/110	D852,140 S *	6/2019	Chen	D13/137.2
D816,614 S *	5/2018	An	D13/137.1	D855,571 S *	8/2019	Zeng	D13/137.2
D819,570 S *	6/2018	Zhong	D13/137.1	D856,933 S *	8/2019	Lin	D13/137.2
D820,212 S *	6/2018	Stern	D13/137.2	D856,934 S *	8/2019	Levy	D13/108
D825,458 S *	8/2018	Nauroy	D13/108	D861,613 S *	10/2019	Dai	D13/137.2
D826,159 S *	8/2018	Tao	D13/137.2	D862,388 S *	10/2019	Qiu	D13/137.2
D826,162 S *	8/2018	Byrne	D13/139.7	D867,996 S *	11/2019	Chen	D13/137.2
D826,858 S *	8/2018	Little	D13/137.2	D869,398 S *	12/2019	Wang	D13/137.3
D826,859 S *	8/2018	Little	D13/137.2	D872,695 S *	1/2020	Bo	D13/137.2
D829,663 S *	10/2018	Liu	D13/137.2	D874,403 S *	2/2020	Canizares	D13/137.2
D830,307 S *	10/2018	Liu	D13/137.2	D878,300 S *	3/2020	Lyu	D13/139.8
D832,215 S *	10/2018	Xu	D13/137.2	D879,711 S *	3/2020	Ruiwu	D13/108
				D883,217 S *	5/2020	Zheng	D13/137.1
				D892,735 S *	8/2020	Zhang	D13/108
				D897,957 S *	10/2020	Yang	D13/110

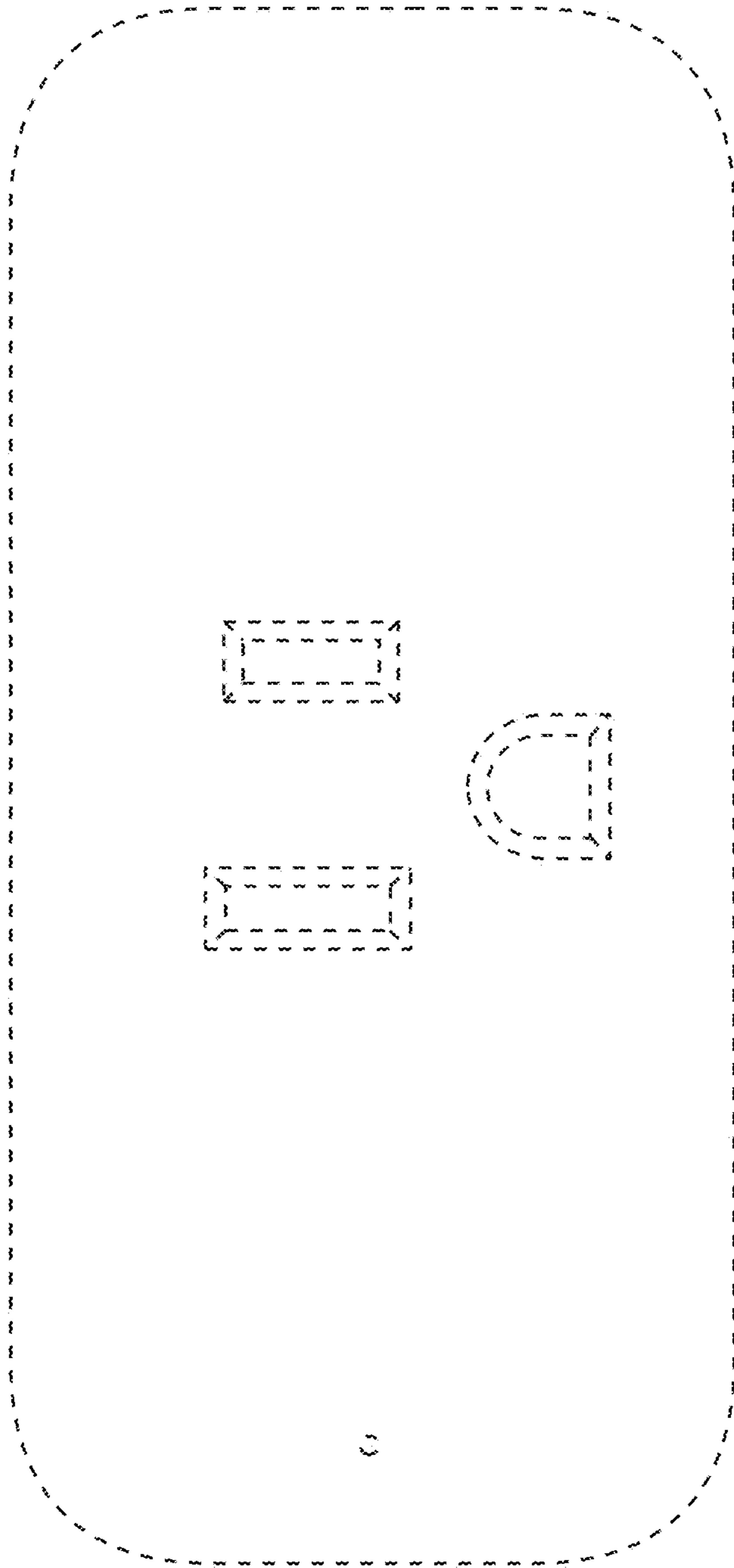
\* cited by examiner



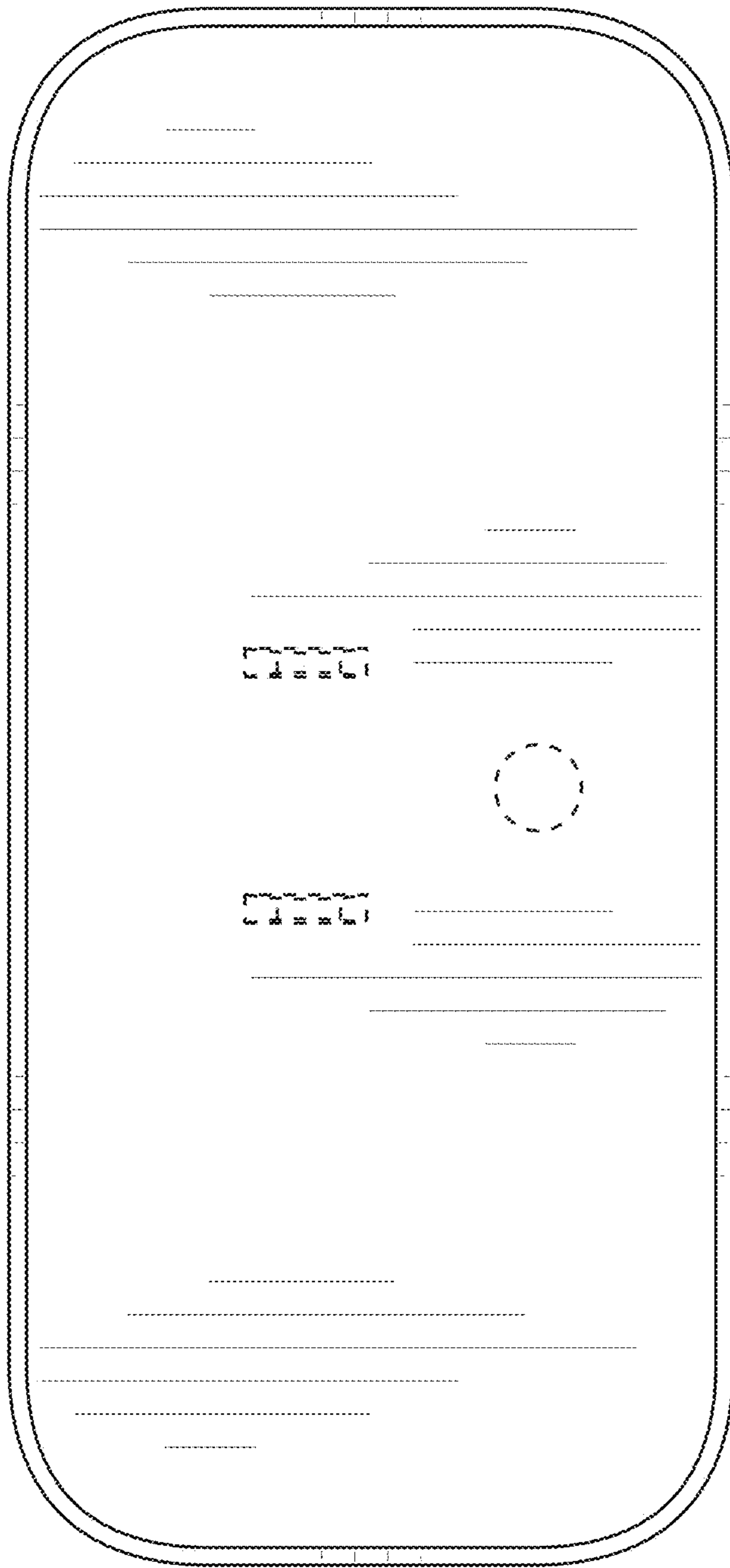
**FIG. 1**



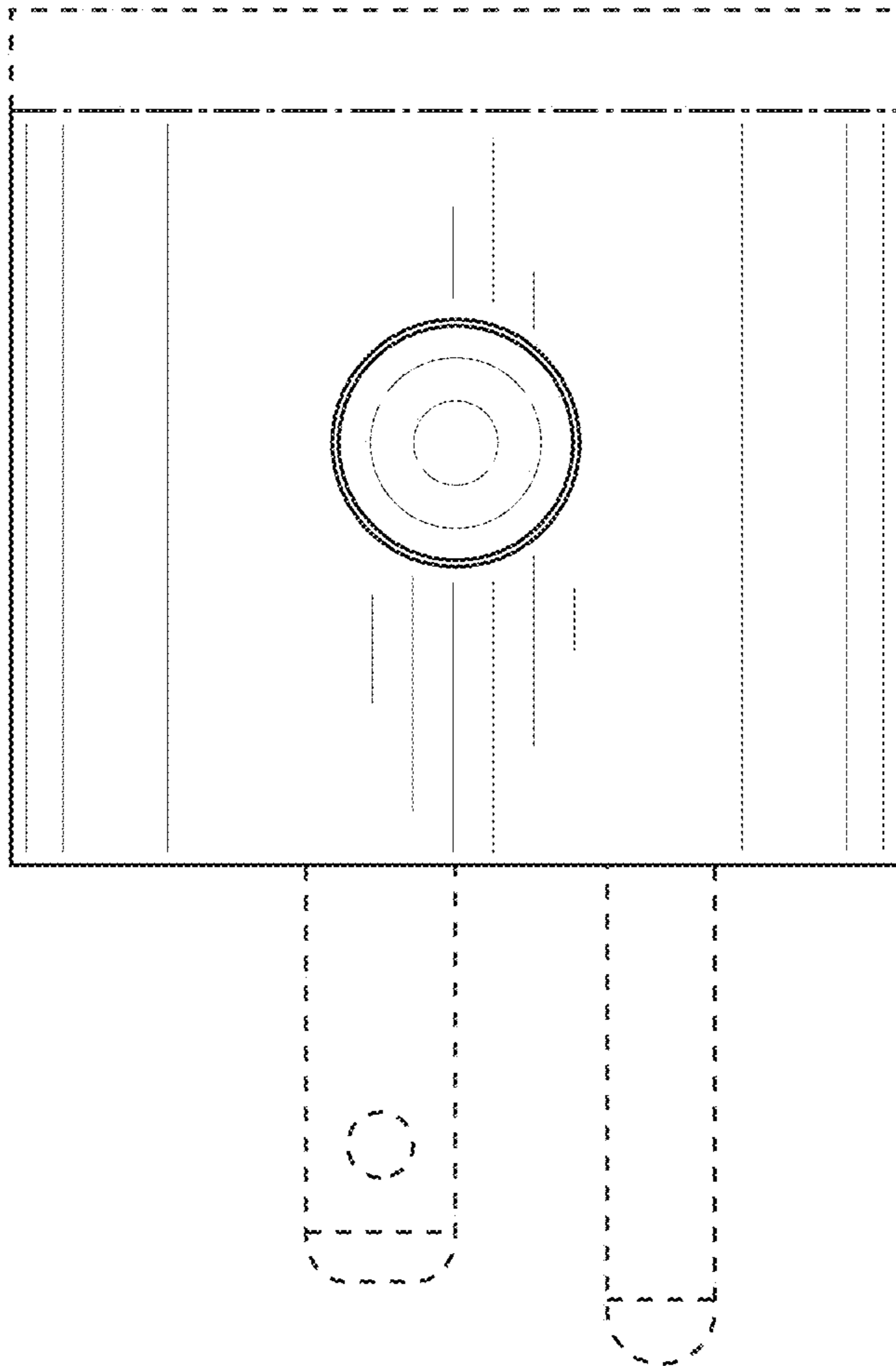
**FIG. 2**



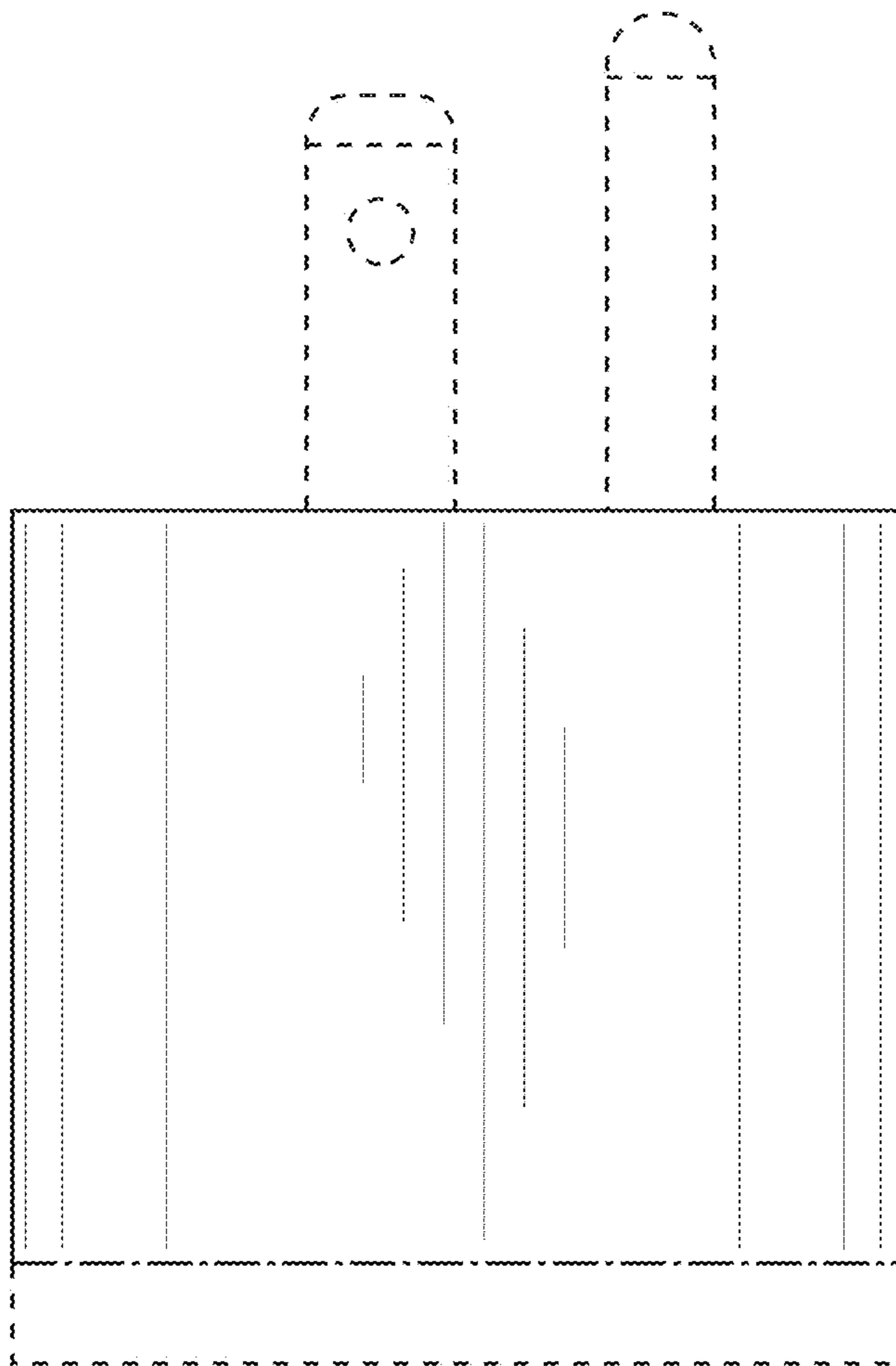
**FIG. 3**



**FIG. 4**

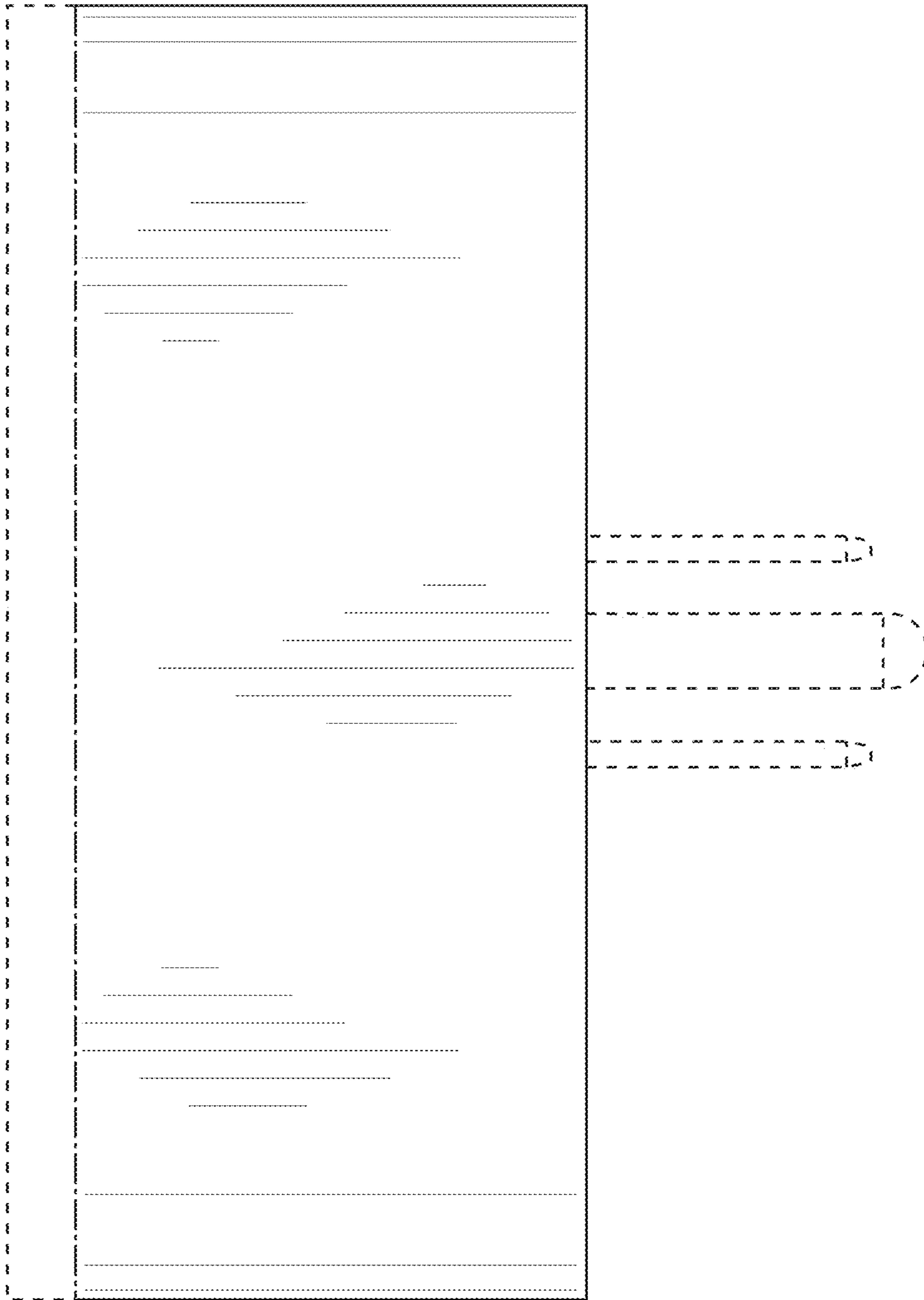


**FIG. 5**

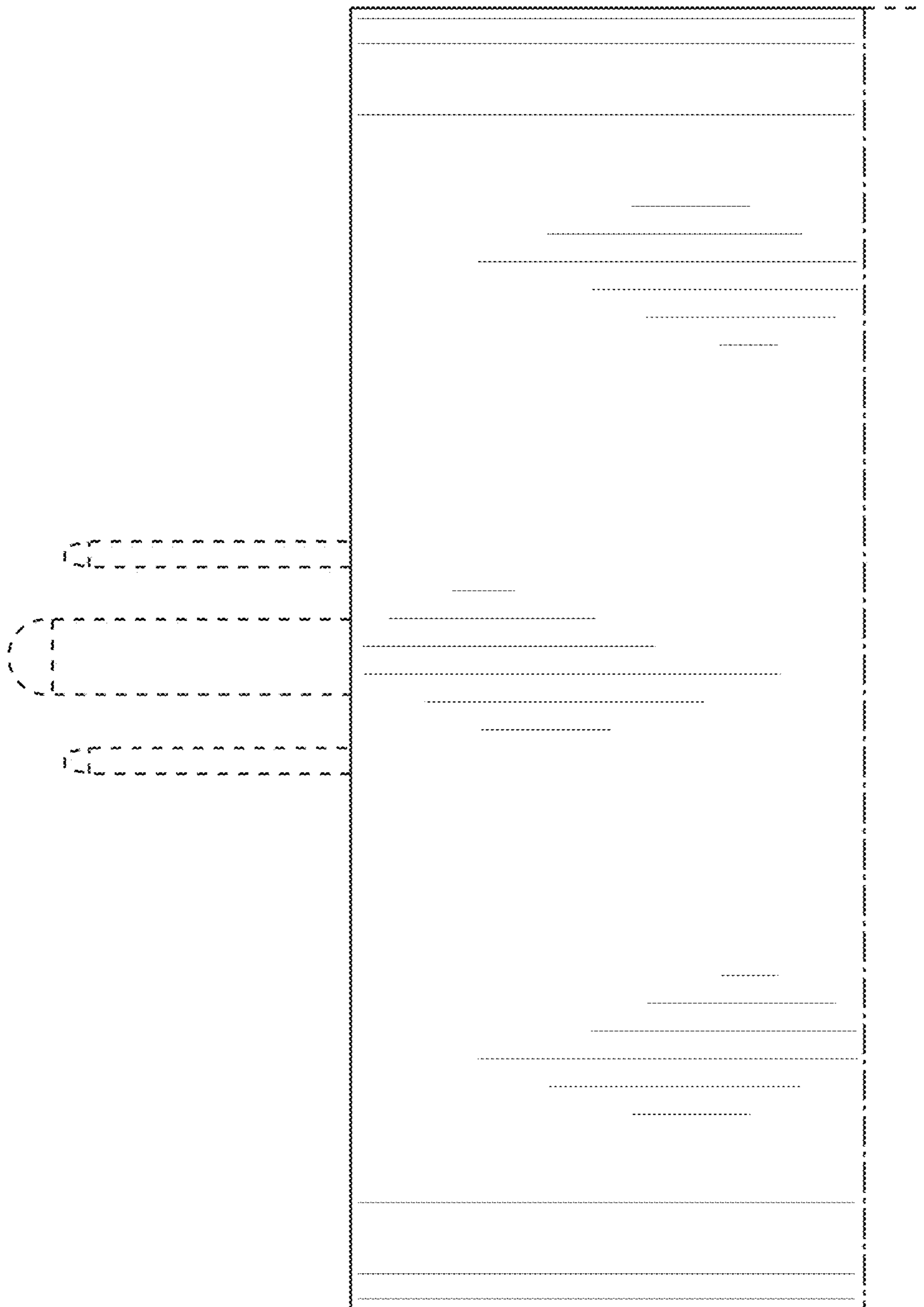


**FIG. 6**





**FIG. 7**



**FIG. 8**