



US00D911965S

(12) **United States Design Patent**
C et al.

(10) **Patent No.:** **US D911,965 S**
(45) **Date of Patent:** **** Mar. 2, 2021**

(54) **CONNECTOR**
(71) Applicant: **Molex, LLC**, Lisle, IL (US)
(72) Inventors: **Krishnamurthy C**, Bangalore (IN);
Harsha Thyagaraj, Bangalore (IN);
Pierre Perez, Aurora, IL (US)
(73) Assignee: **Molex, LLC**, Lisle, IL (US)

D840,938 S * 2/2019 Hsu D13/147
D857,006 S * 8/2019 DeVito D14/256
D887,986 S * 6/2020 Ganamukhi D13/147
D894,126 S * 8/2020 Somanathapura Ramanna
D13/133
D896,181 S * 9/2020 Somanathapura Ramanna
D13/133
2012/0156918 A1* 6/2012 Tao H01R 13/64
439/357

(**) Term: **15 Years**

FOREIGN PATENT DOCUMENTS

(21) Appl. No.: **29/700,200**

TW D181746 3/2017
TW D184081 7/2017

(22) Filed: **Jul. 31, 2019**

(Continued)

(51) **LOC (13) Cl.** **13-03**

(52) **U.S. Cl.**
USPC **D13/133; D13/147**

(58) **Field of Classification Search**
USPC D13/110, 118, 120, 133, 146, 147, 153,
D13/154; D14/433, 435; D8/338, 341,
D8/330; D6/627, 653
CPC .. H01R 13/506; H01R 13/516; H01R 13/518;
H01R 13/58; H01R 13/56315; H01R
13/62; H01R 13/64; H01R 13/641; H01R
9/09; H01R 9/11
See application file for complete search history.

Primary Examiner — Karen E Kearney
Assistant Examiner — Michael Chong
(74) *Attorney, Agent, or Firm* — Banner & Witcoff, Ltd.

(57) **CLAIM**

The ornamental design for a connector, as shown and described.

DESCRIPTION

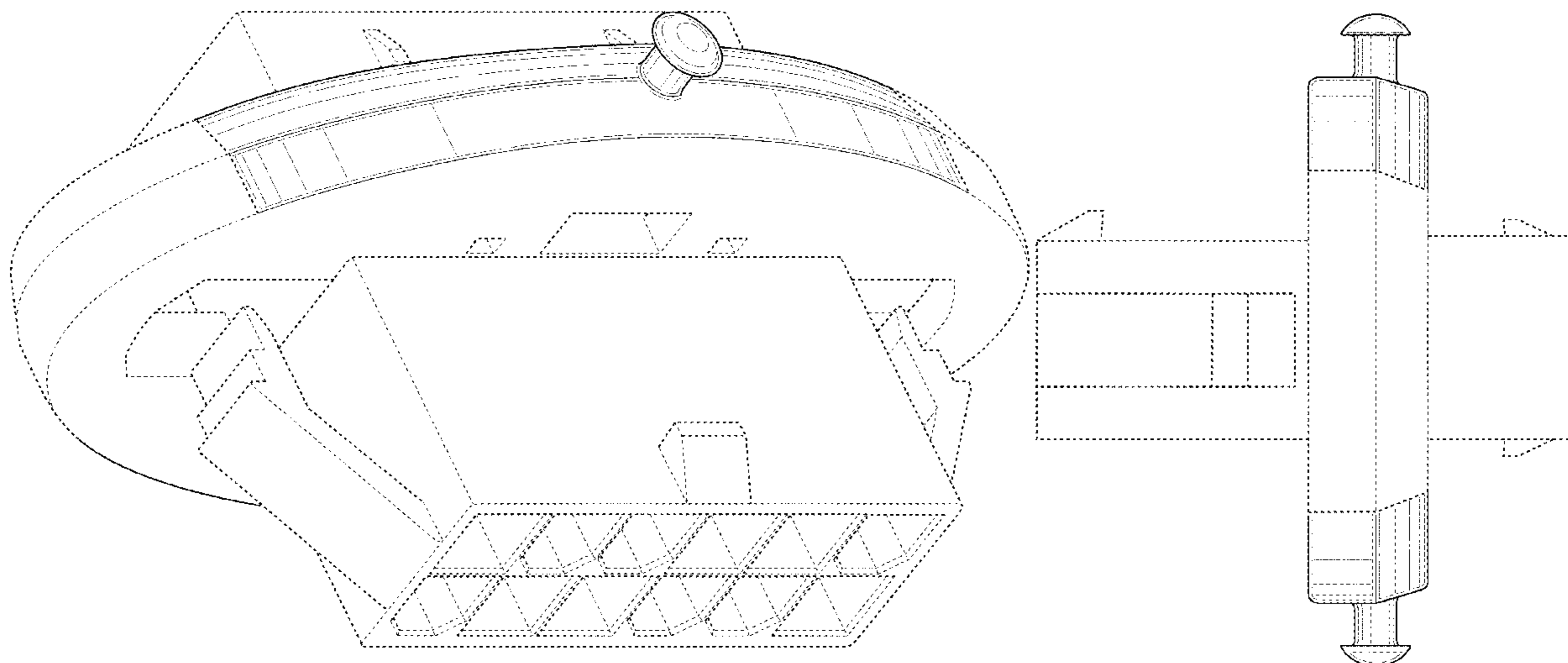
FIG. 1 is a front top perspective view of a connector showing our new design;
FIG. 2 is a front bottom perspective view thereof;
FIG. 3 is a rear perspective view thereof;
FIG. 4 is a front view thereof;
FIG. 5 is a rear view thereof;
FIG. 6 is a top view thereof;
FIG. 7 is a bottom view thereof;
FIG. 8 is a right side view thereof; and,
FIG. 9 is a left side view thereof.
The broken lines immediately adjacent to the shaded areas represent the bounds of the claimed design and form no part thereof. The broken lines depicting the remainder of the connector show features that form no part of the claimed design.

(56) **References Cited**

U.S. PATENT DOCUMENTS

3,432,802 A * 3/1969 Ritchie H01R 13/506
439/465
5,658,156 A * 8/1997 Henderson H01R 12/716
439/79
5,697,805 A * 12/1997 Orstad H01R 13/6315
439/374
D410,629 S * 6/1999 Bandura D13/147
D434,384 S * 11/2000 Hwang D13/147
D446,106 S * 8/2001 Laabs D8/338
D463,371 S * 9/2002 Lee D13/147
D488,778 S * 4/2004 Ushiro D13/133
D779,307 S * 2/2017 Nix D8/339
D810,033 S * 2/2018 Otsuka D13/173

1 Claim, 9 Drawing Sheets



(56)

References Cited

U.S. PATENT DOCUMENTS

2014/0308841 A1 * 10/2014 Zhu H01R 13/64
439/357

FOREIGN PATENT DOCUMENTS

TW D184083 7/2017
WO D206920-010 * 7/2020

* cited by examiner

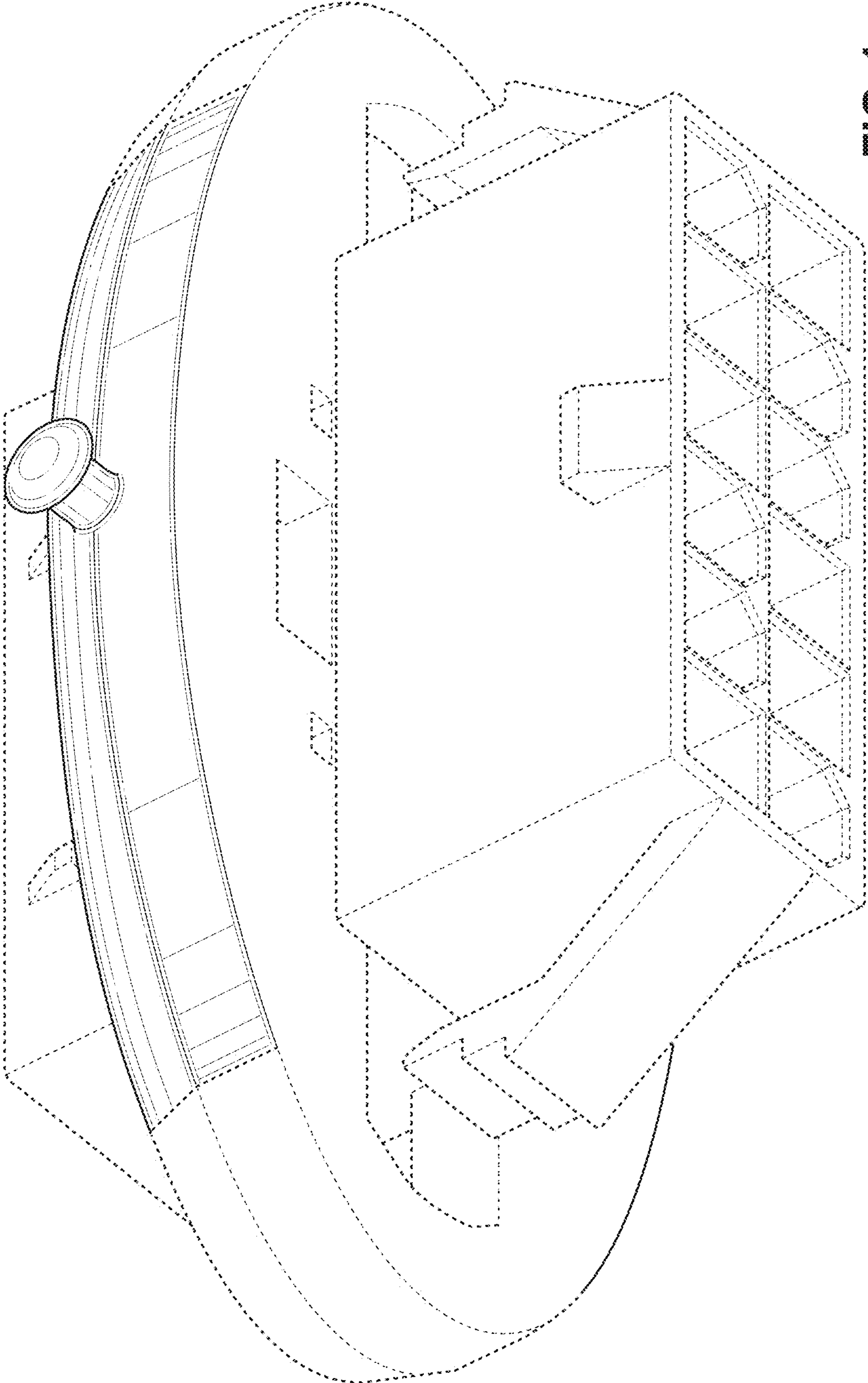


FIG. 1

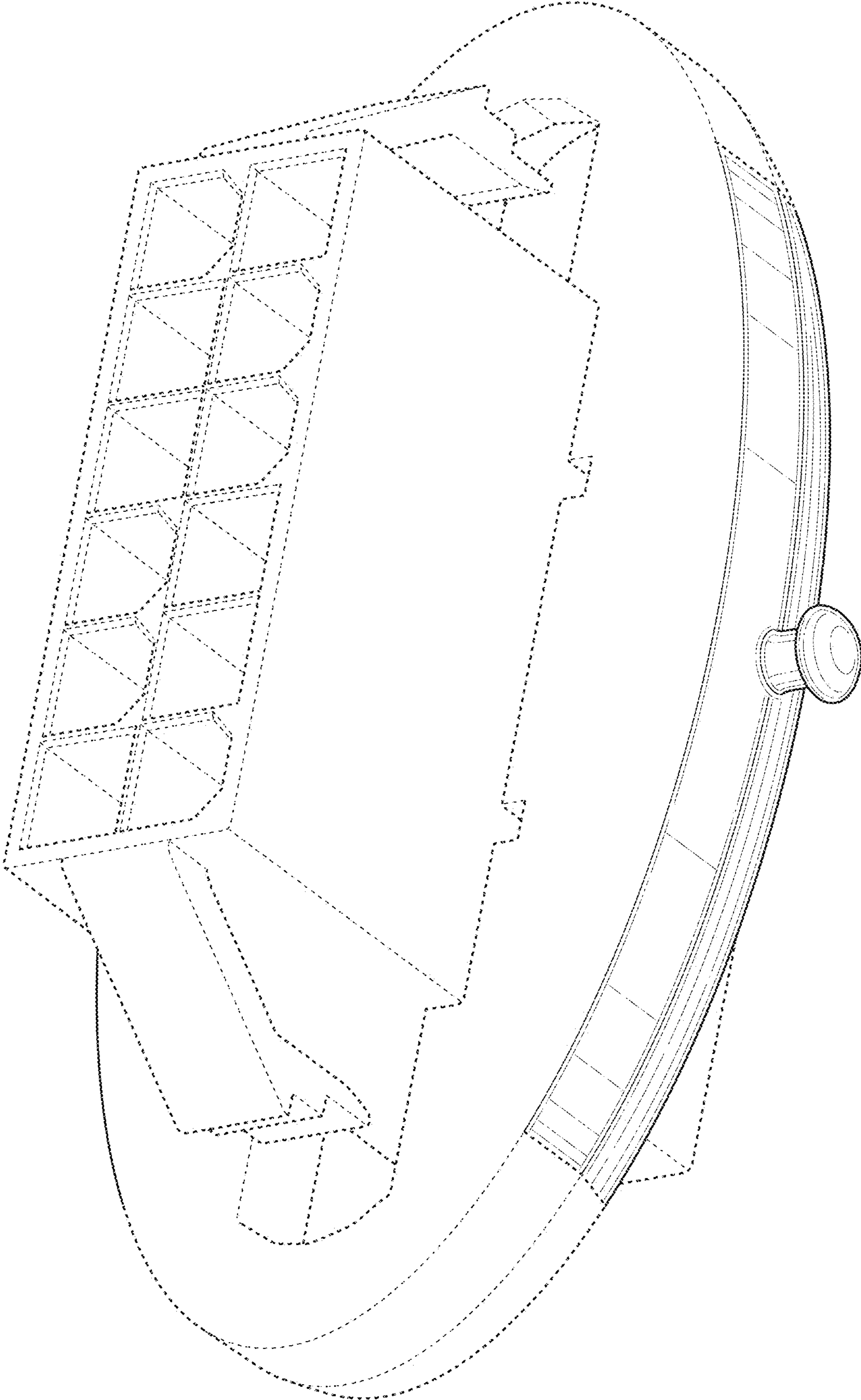


FIG. 2

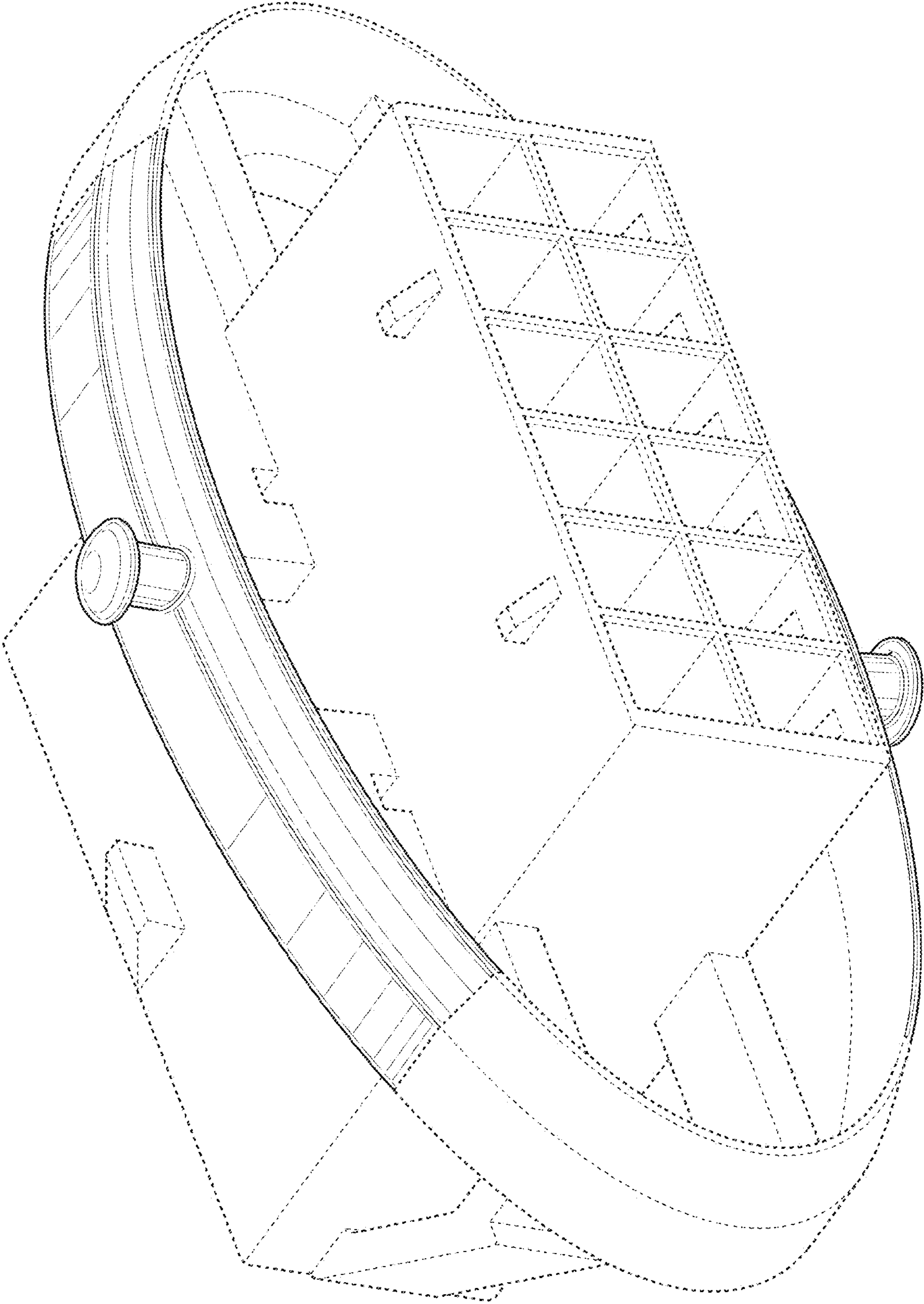


FIG. 3

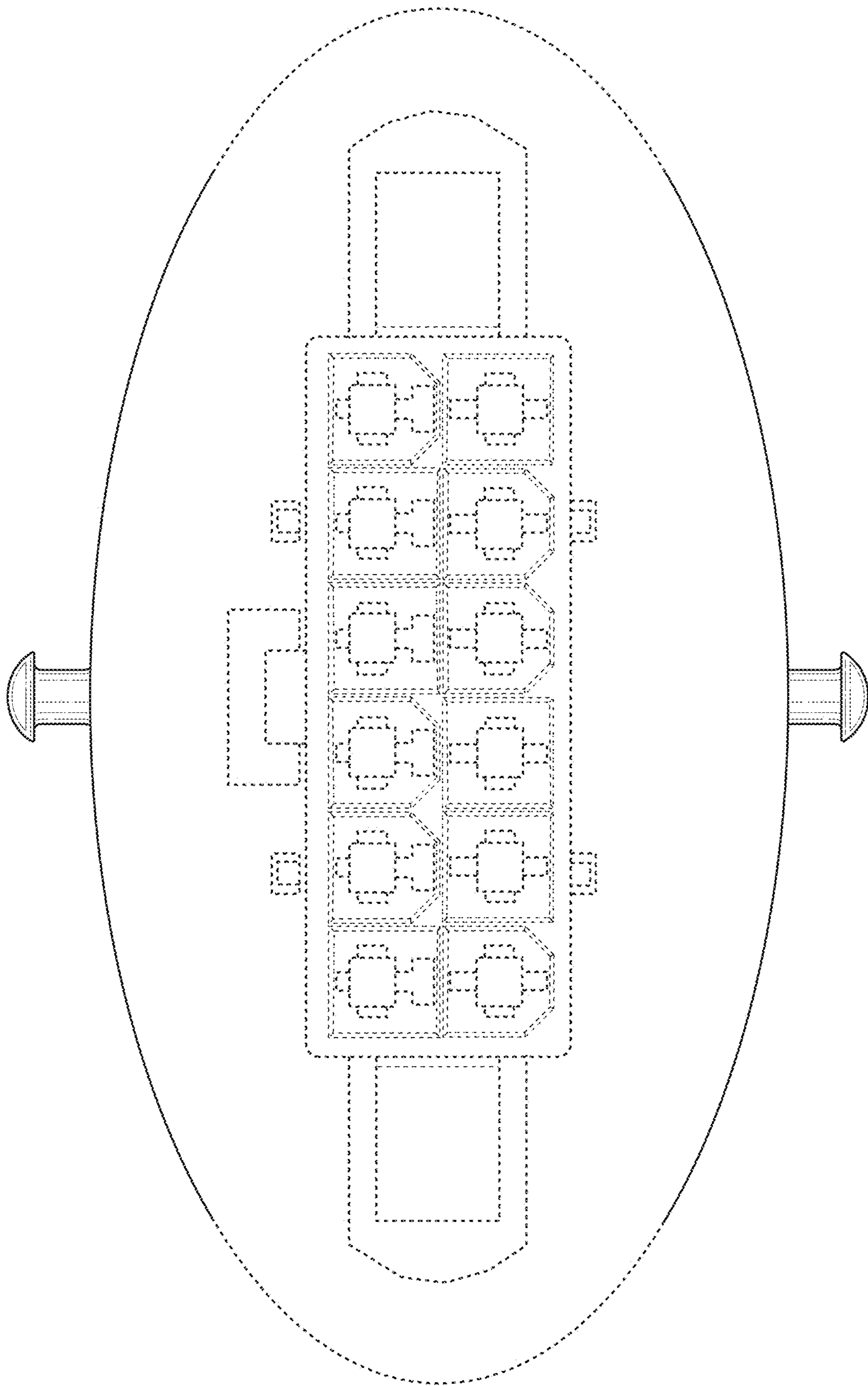


FIG. 4

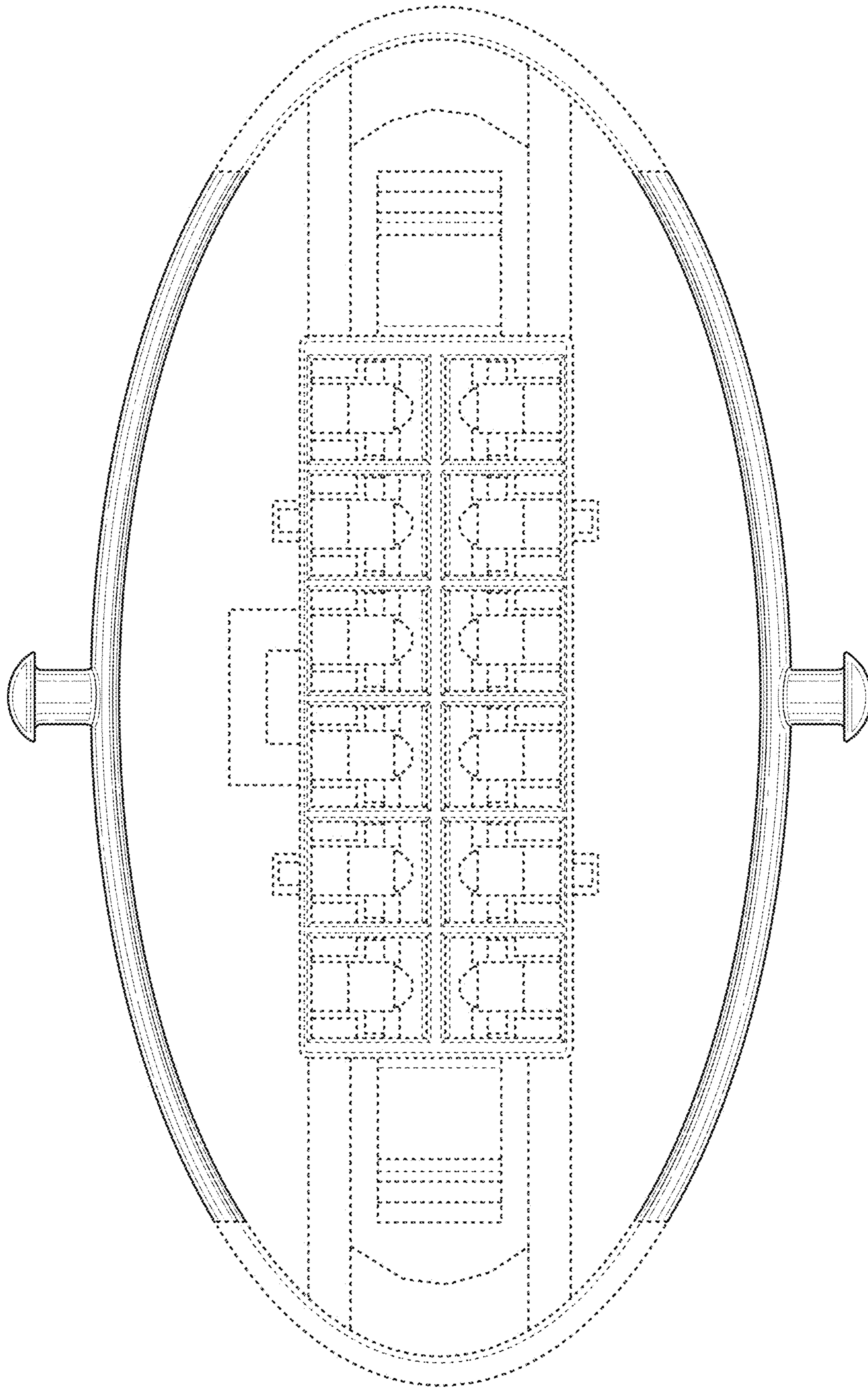


FIG. 5

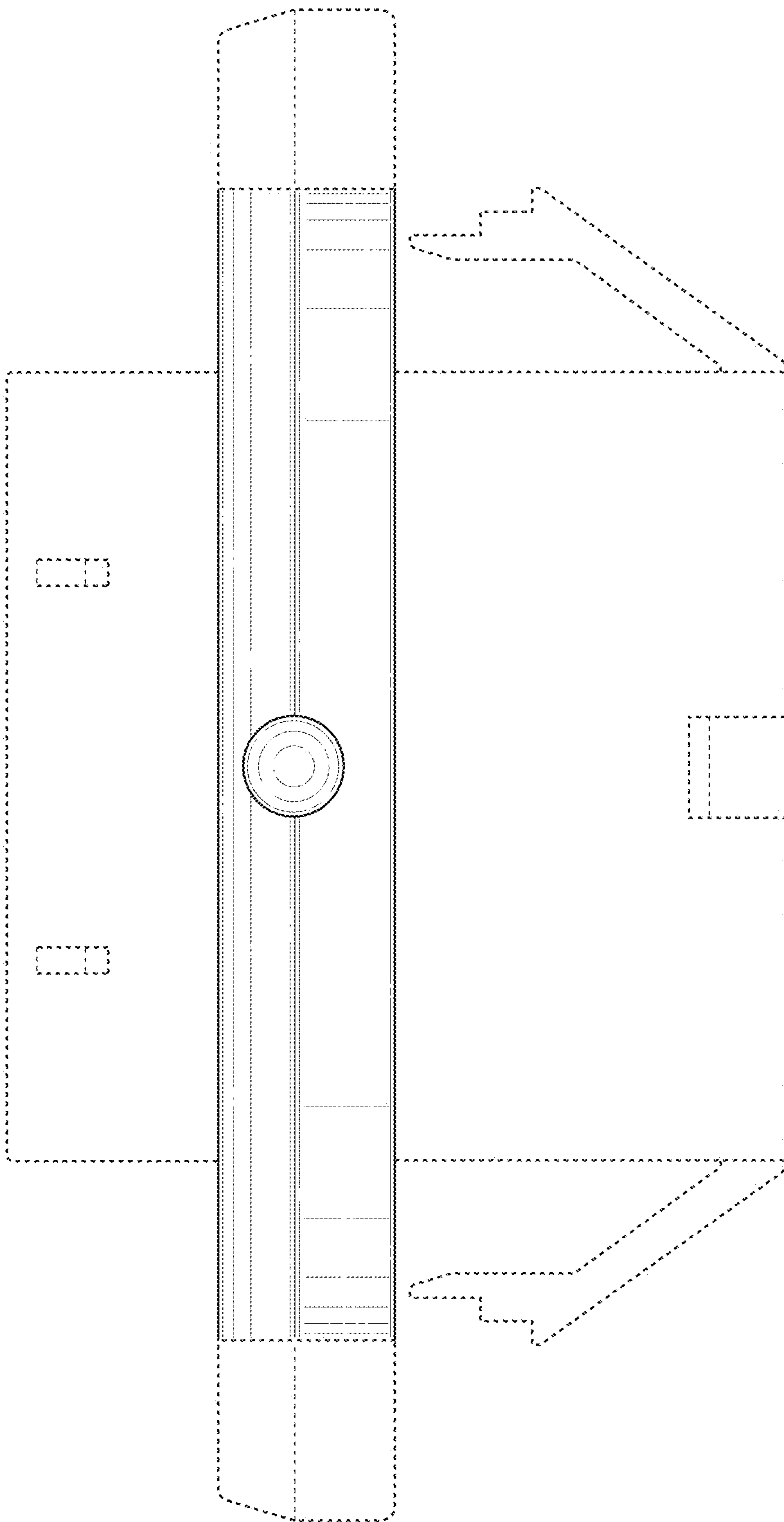


FIG. 6

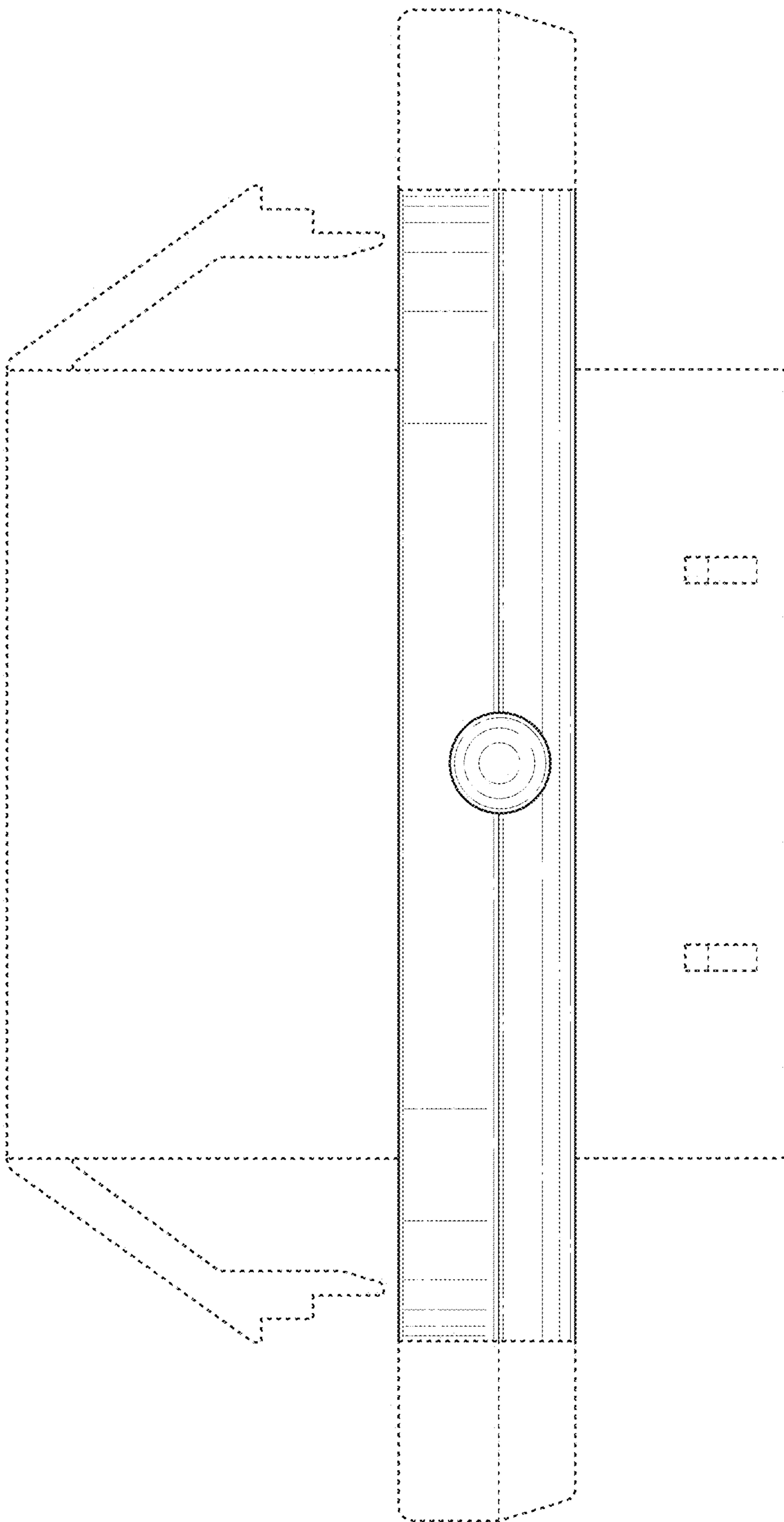


FIG. 7

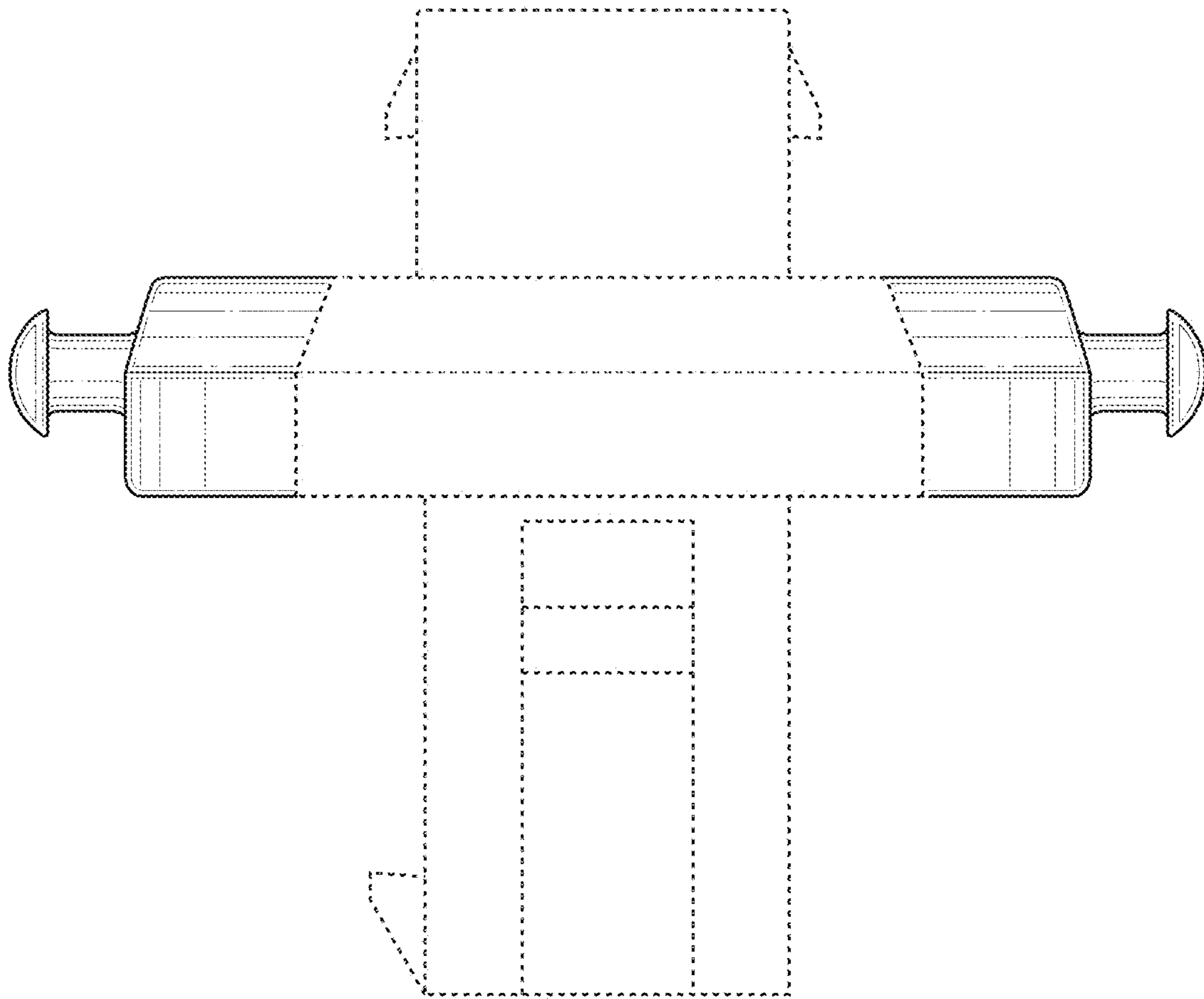


FIG. 8

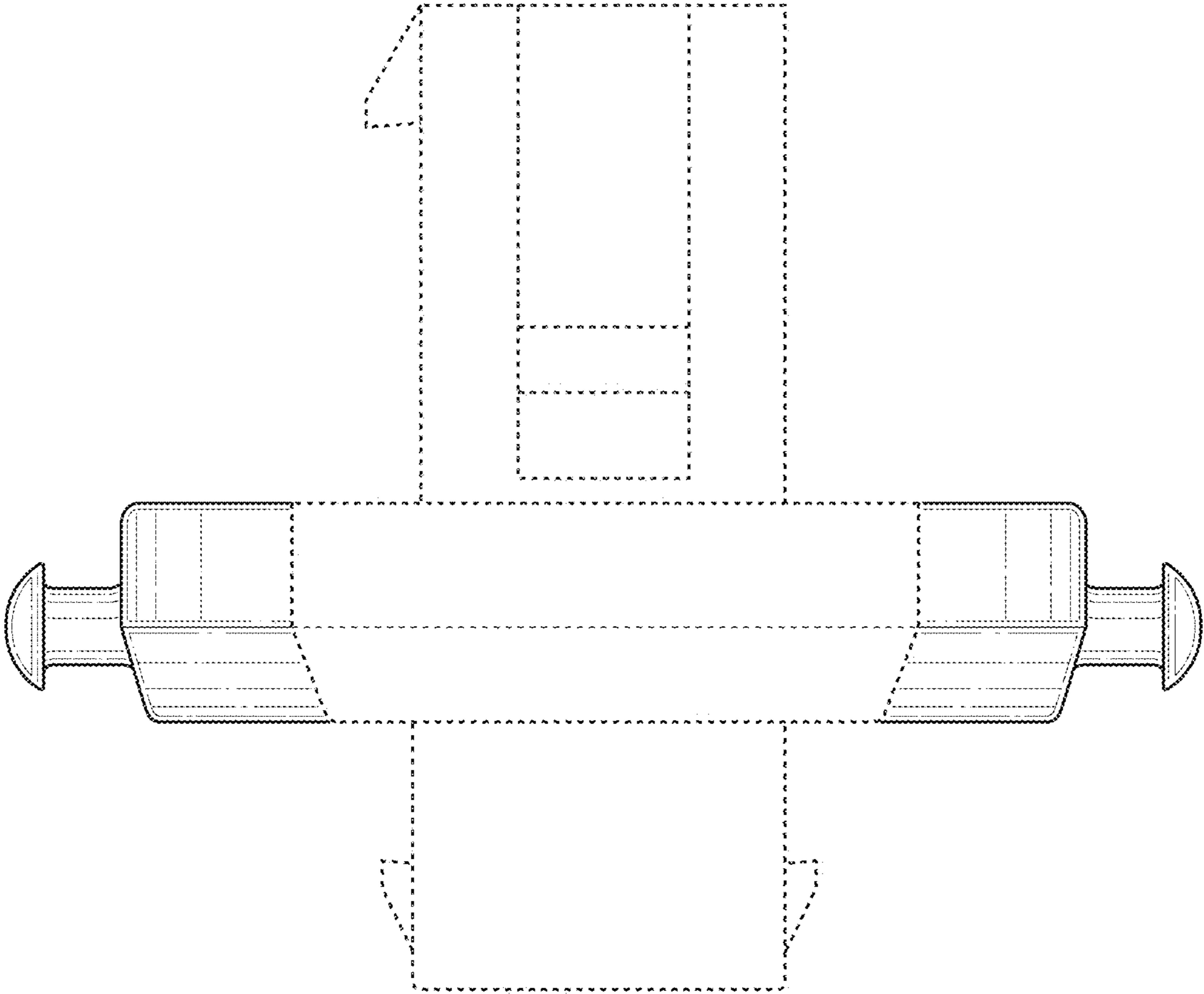


FIG. 9