



US00D911964S

(12) **United States Design Patent**  
**Ganamukhi et al.**

(10) **Patent No.:** **US D911,964 S**  
(45) **Date of Patent:** **\*\* Mar. 2, 2021**

(54) **CONNECTOR**

- (71) Applicant: **Molex, LLC**, Lisle, IL (US)
- (72) Inventors: **Ishwarappa Ganamukhi**, Bangalore (IN); **Pierre Perez**, Aurora, IL (US)
- (73) Assignee: **Molex, LLC**, Lisle, IL (US)
- (\*\*) Term: **15 Years**
- (21) Appl. No.: **29/685,547**
- (22) Filed: **Mar. 28, 2019**
- (51) **LOC (13) Cl.** ..... **13-03**
- (52) **U.S. Cl.**  
USPC ..... **D13/133; D13/147**
- (58) **Field of Classification Search**  
USPC ..... **D13/133, 146, 147, 153, 154, 184**  
(Continued)

(56) **References Cited**

**U.S. PATENT DOCUMENTS**

- D308,513 S \* 6/1990 Endo ..... D13/147
- 5,169,336 A \* 12/1992 Taguchi ..... H01R 13/64  
439/354

(Continued)

**FOREIGN PATENT DOCUMENTS**

- WO D205298-019 \* 3/2020

**OTHER PUBLICATIONS**

Connector System, Jun. 22, 2007, [online], [site visited Sep. 14, 2020], Available from Internet URL: [https://www.molex.com/molex/products/part-detail/crimp\\_housings/0310671010](https://www.molex.com/molex/products/part-detail/crimp_housings/0310671010) (Year: 2007).\*

*Primary Examiner* — Karen E Kearney

*Assistant Examiner* — Michael Chong

(74) *Attorney, Agent, or Firm* — Banner & Witcoff, Ltd.

(57) **CLAIM**

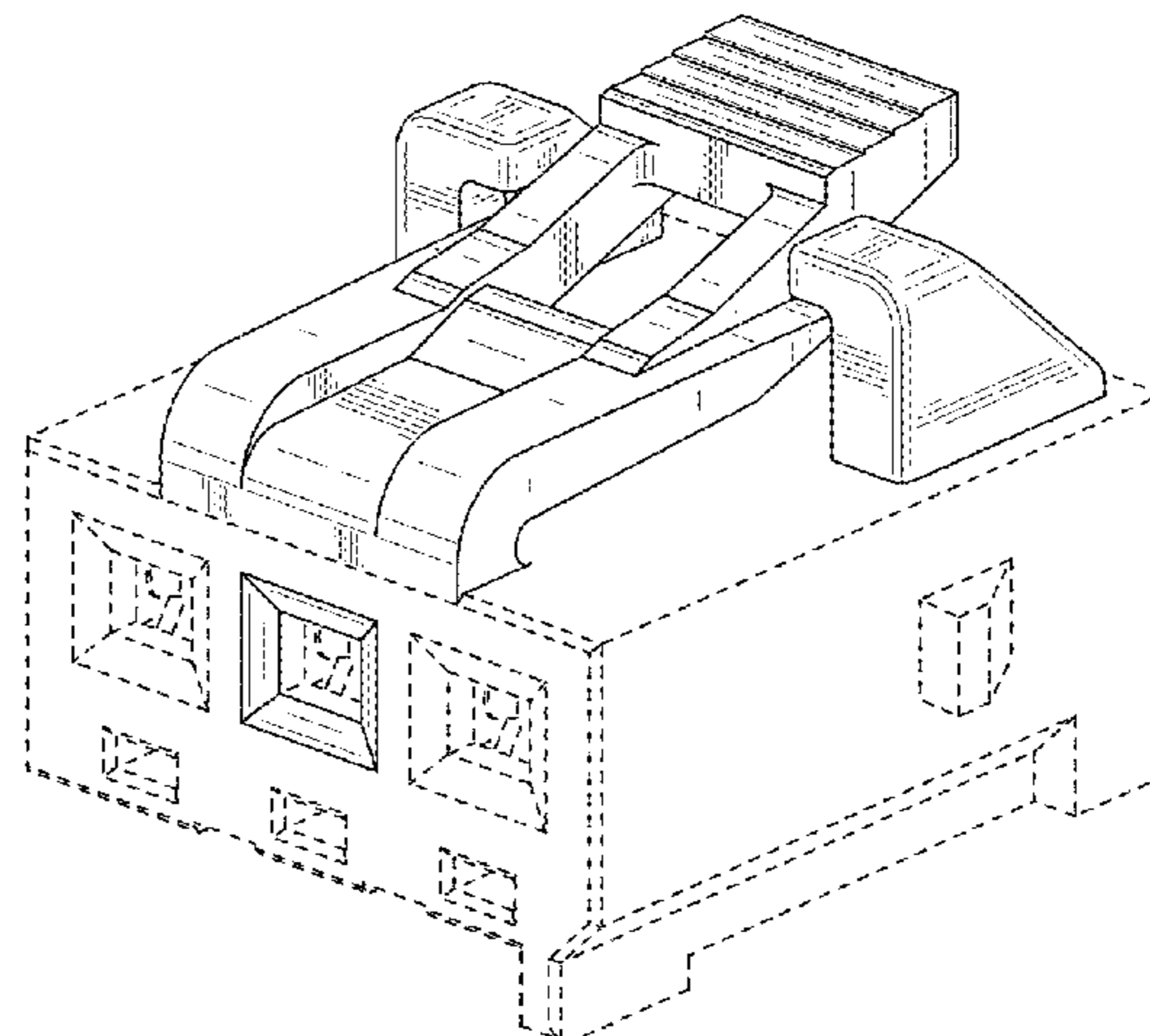
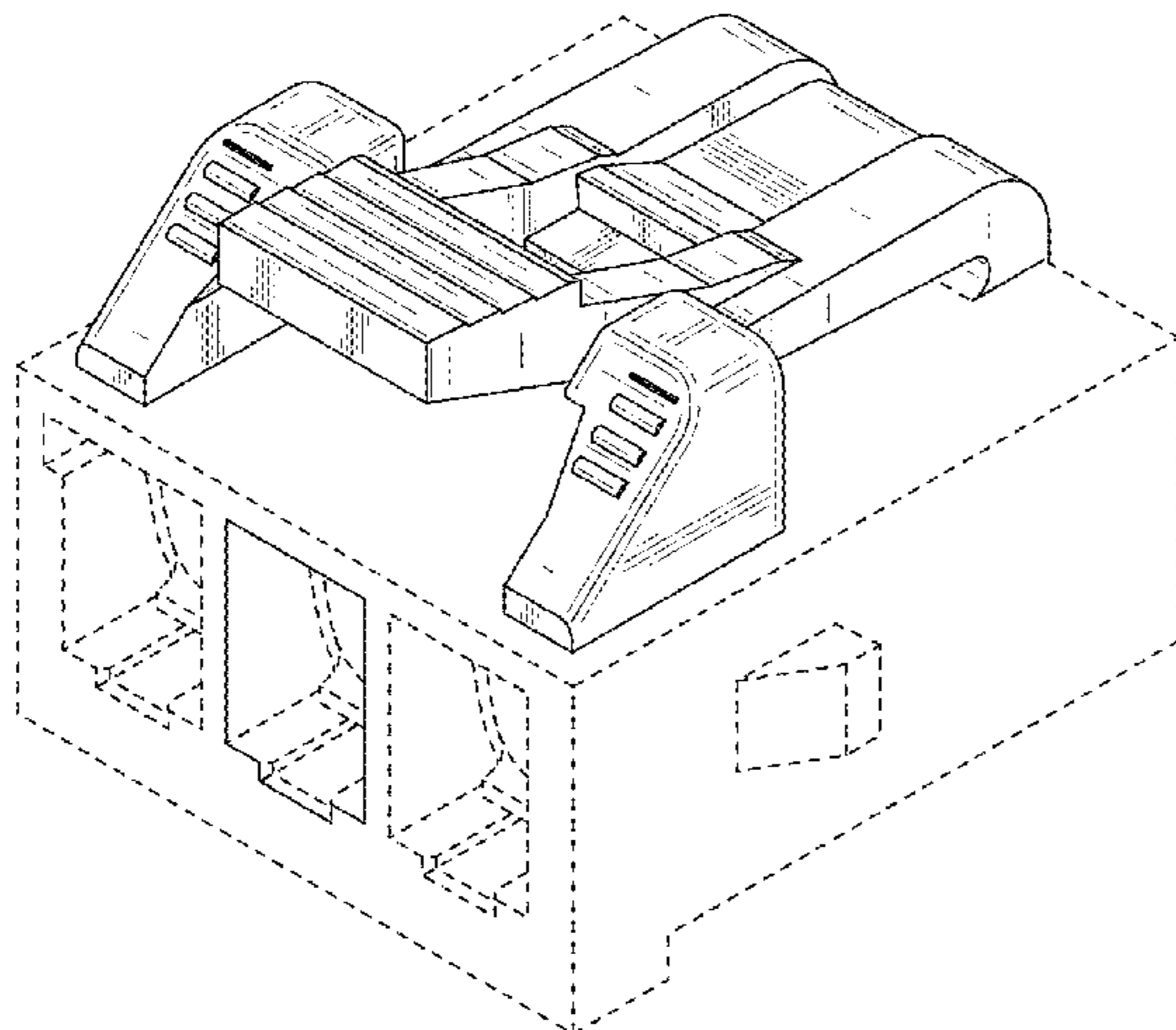
The ornamental design for a connector, as shown and described.

**DESCRIPTION**

FIG. 1 is a front right perspective view of a connector showing our new design;  
 FIG. 2 is a front left perspective view thereof;  
 FIG. 3 is a front view thereof;  
 FIG. 4 is a rear view thereof;  
 FIG. 5 is a left side view thereof;  
 FIG. 6 is a right side view thereof;  
 FIG. 7 is a top view thereof;  
 FIG. 8 is a bottom view thereof;  
 FIG. 9 is a rear perspective view thereof;  
 FIG. 10 is a front right perspective view of an alternate embodiment of the connector showing our new design;  
 FIG. 11 is a front left perspective view thereof;  
 FIG. 12 is a front view thereof;  
 FIG. 13 is a rear view thereof;  
 FIG. 14 is a left side view thereof;  
 FIG. 15 is a right side view thereof;  
 FIG. 16 is a top view thereof;  
 FIG. 17 is a bottom view thereof;  
 FIG. 18 is a rear perspective view thereof;  
 FIG. 19 is a front right perspective view of an alternate embodiment of the connector showing our new design;  
 FIG. 20 is a front left perspective view thereof;  
 FIG. 21 is a front view thereof;  
 FIG. 22 is a rear view thereof;  
 FIG. 23 is a left side view thereof;  
 FIG. 24 is a right side view thereof;  
 FIG. 25 is a top view thereof;  
 FIG. 26 is a bottom view thereof;  
 FIG. 27 is a rear perspective view thereof;  
 FIG. 28 is a front right perspective view of an alternate embodiment of the connector showing our new design;  
 FIG. 29 is a front left perspective view thereof;  
 FIG. 30 is a front view thereof;  
 FIG. 31 is a rear view thereof;  
 FIG. 32 is a left side view thereof;  
 FIG. 33 is a right side view thereof;  
 FIG. 34 is a top view thereof;  
 FIG. 35 is a bottom view thereof; and  
 FIG. 36 is a rear perspective view thereof.

The broken lines immediately adjacent to the shaded areas depict the bounds of the claimed design and form no part

(Continued)





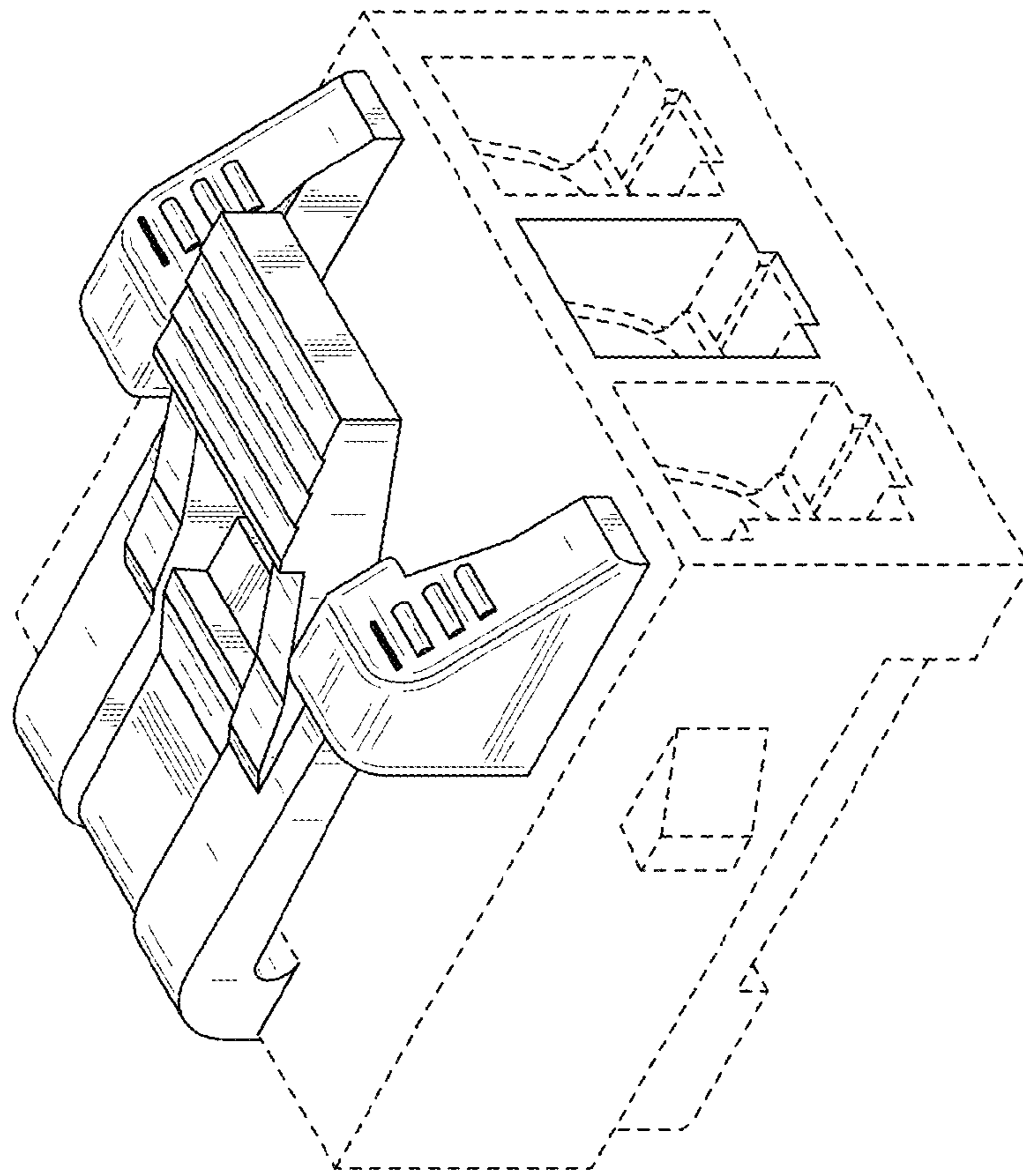


FIG. 1

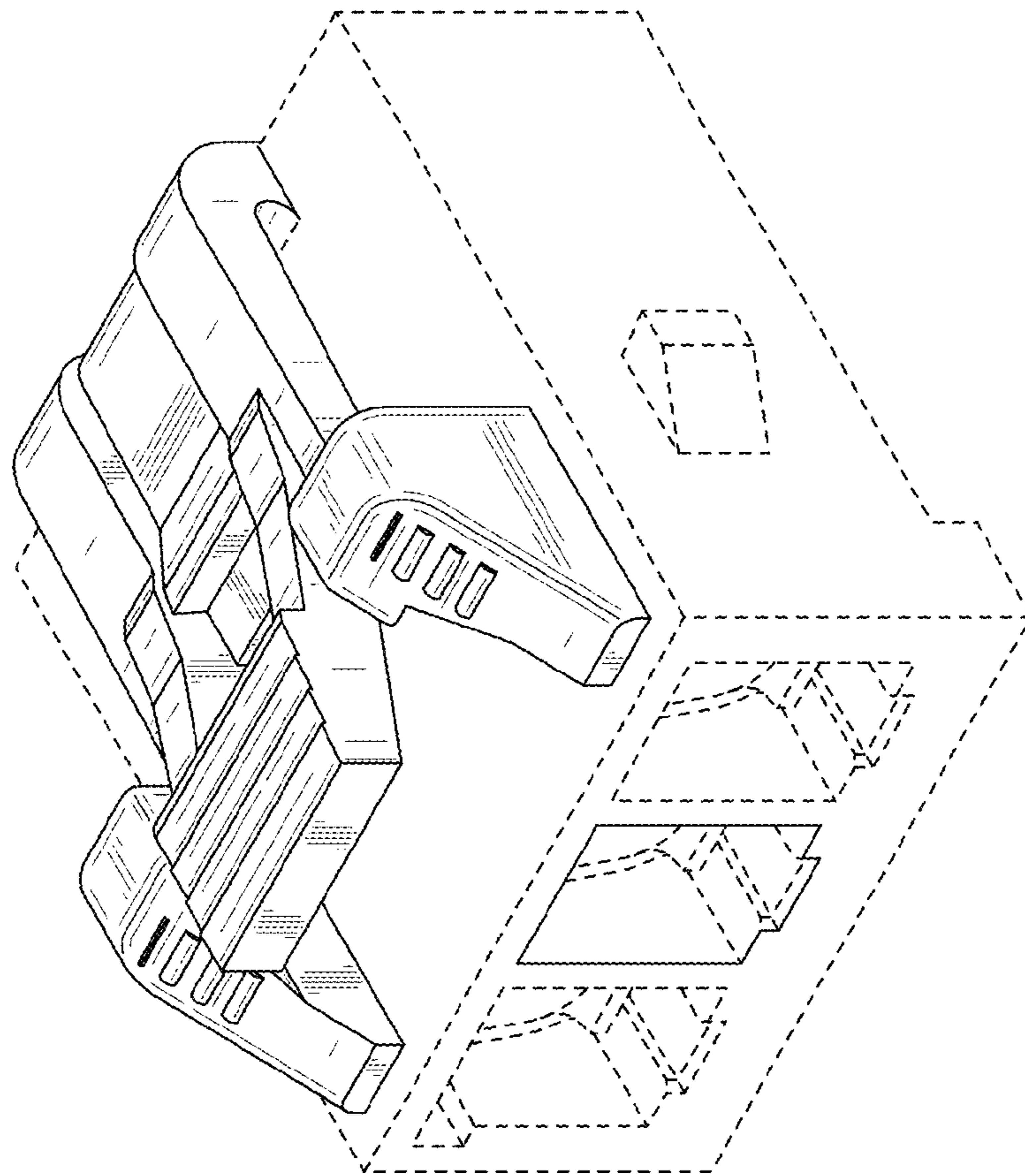


FIG. 2



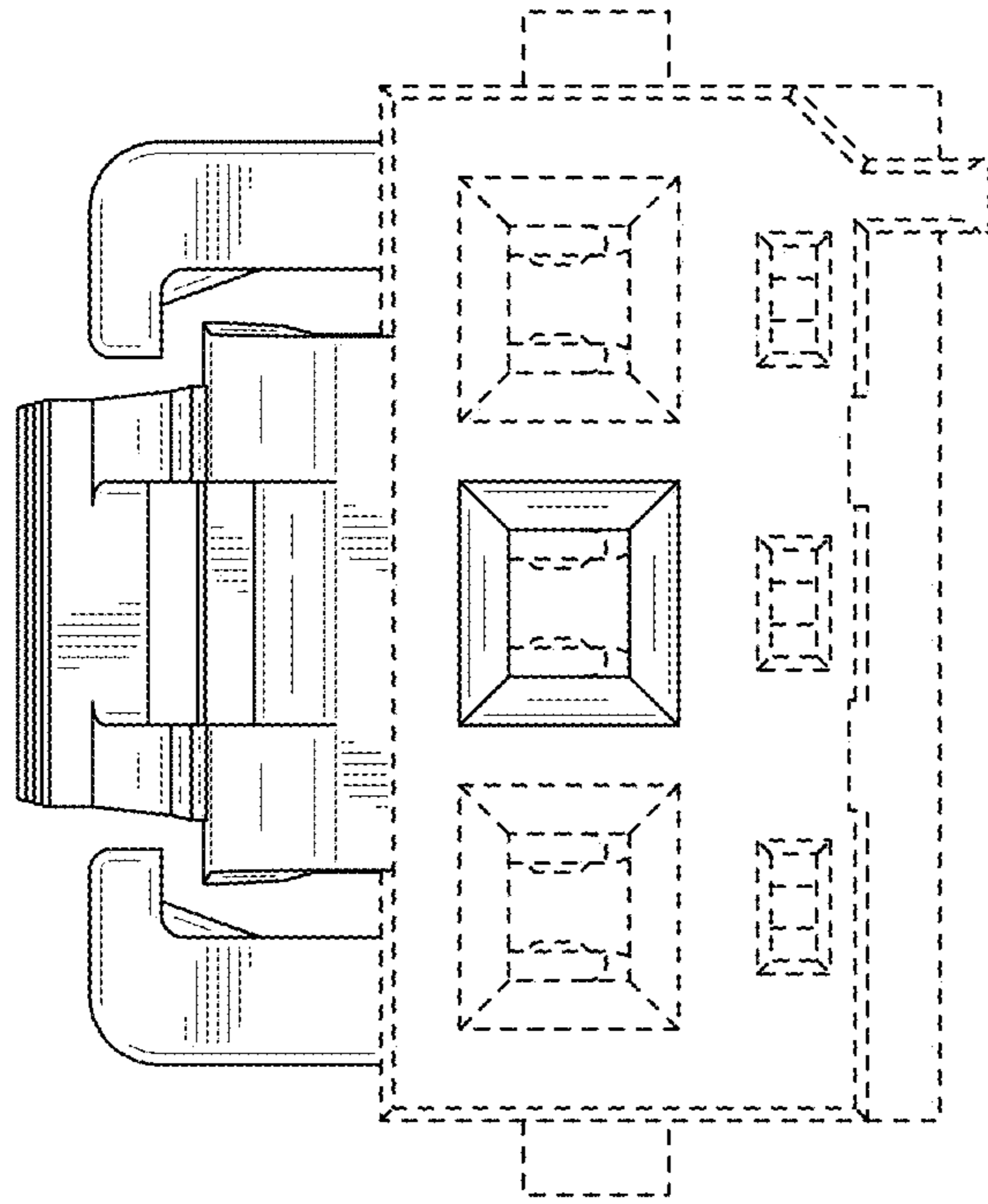


FIG. 4

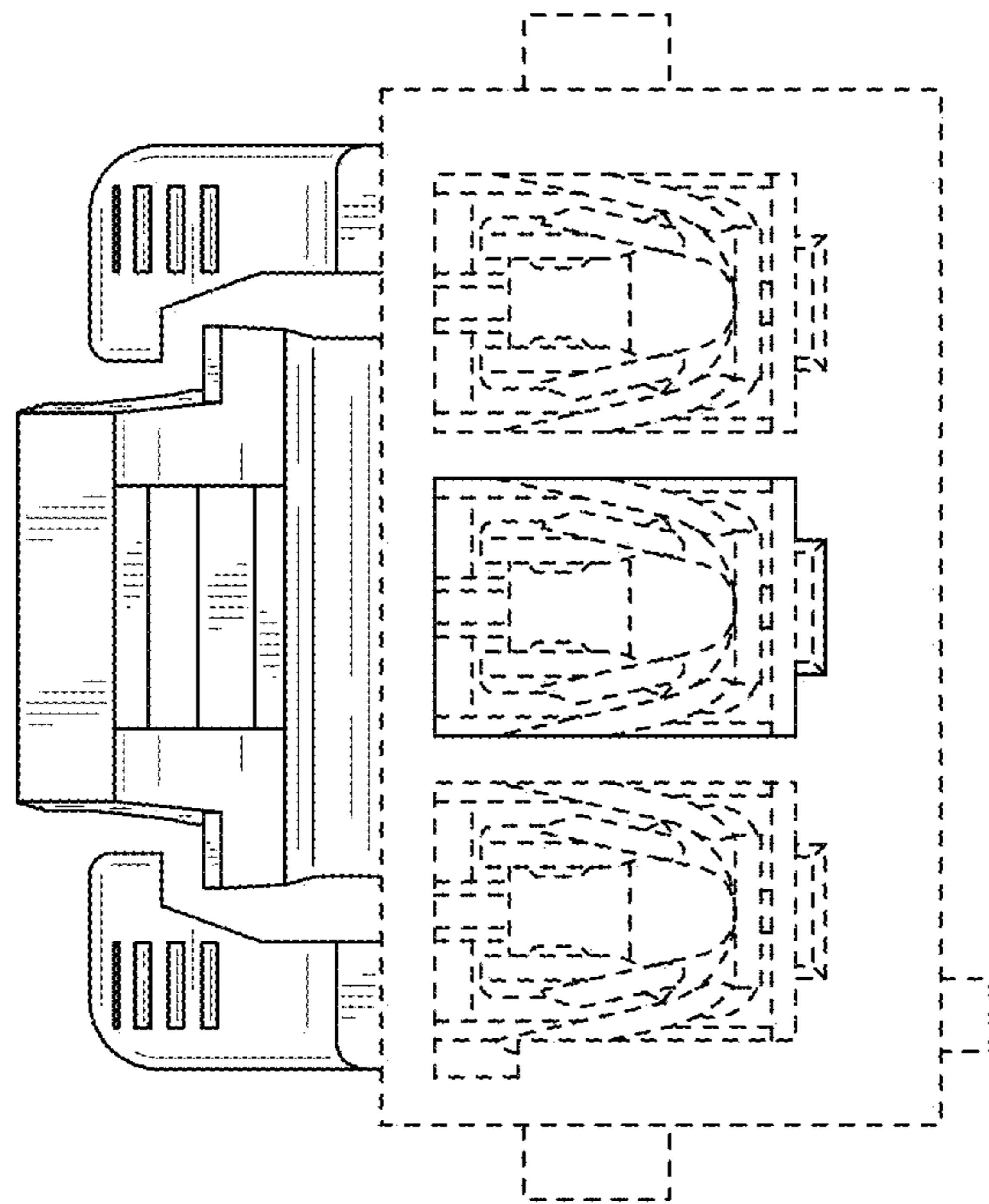


FIG. 3

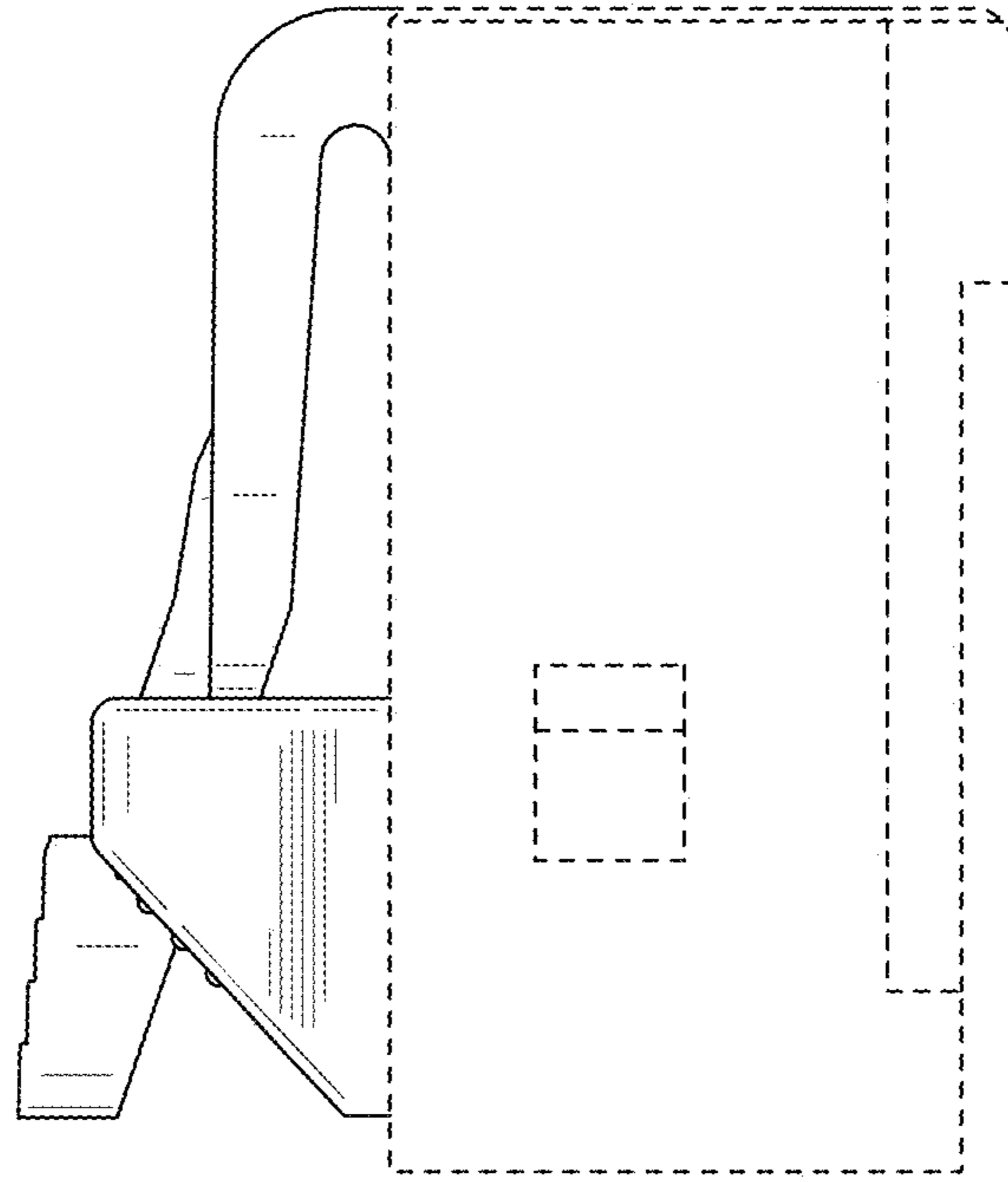


FIG. 6

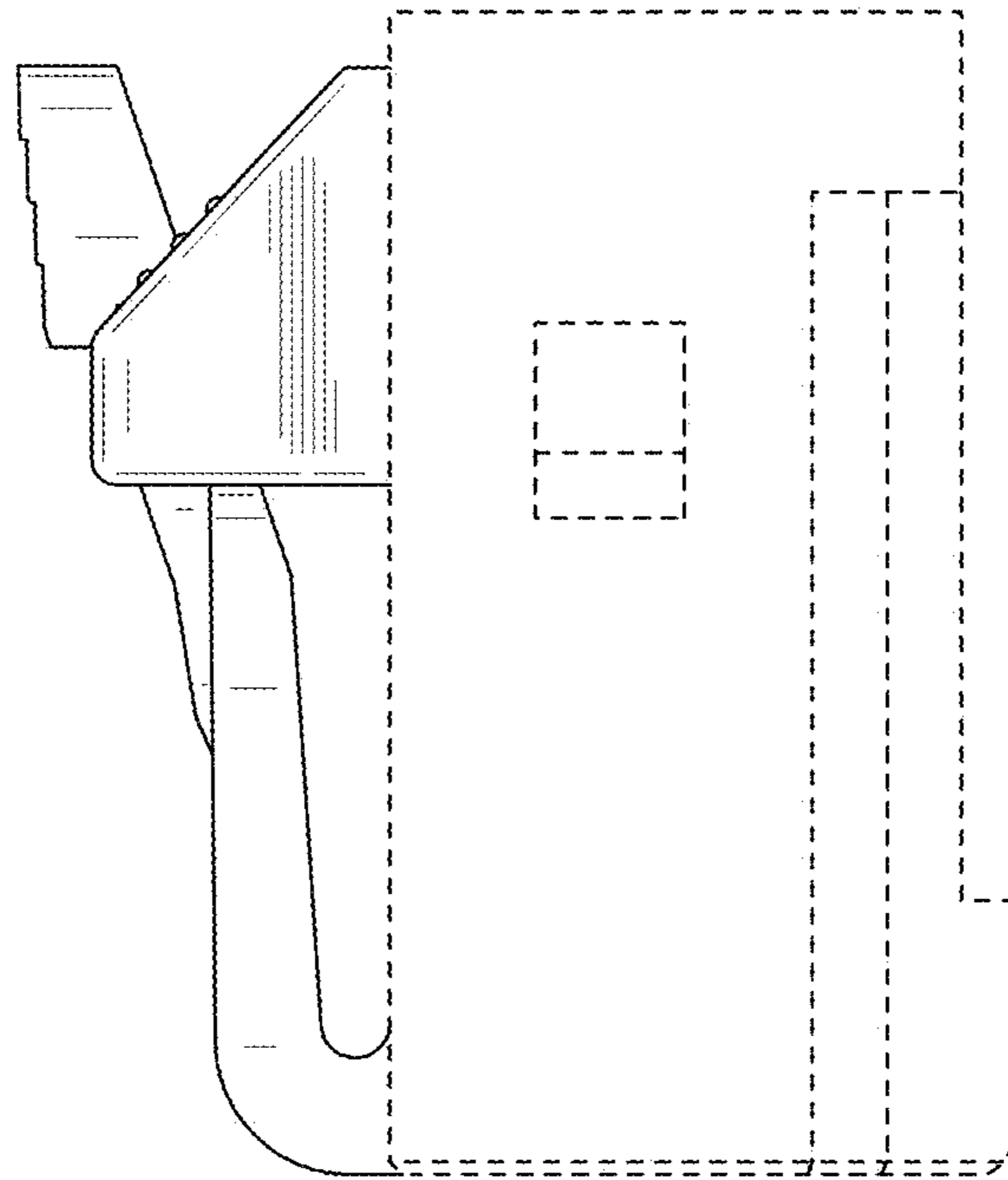


FIG. 5

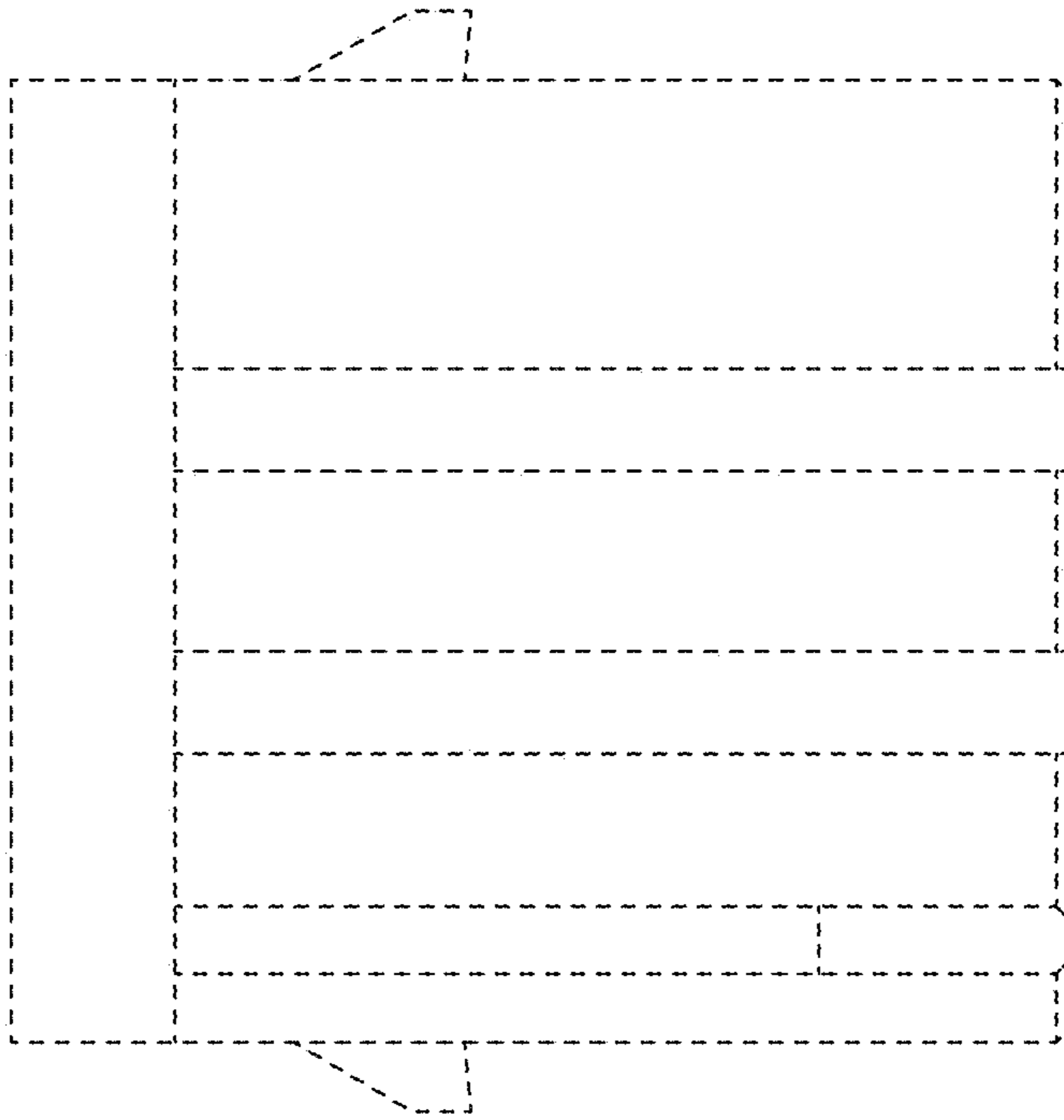


FIG. 8

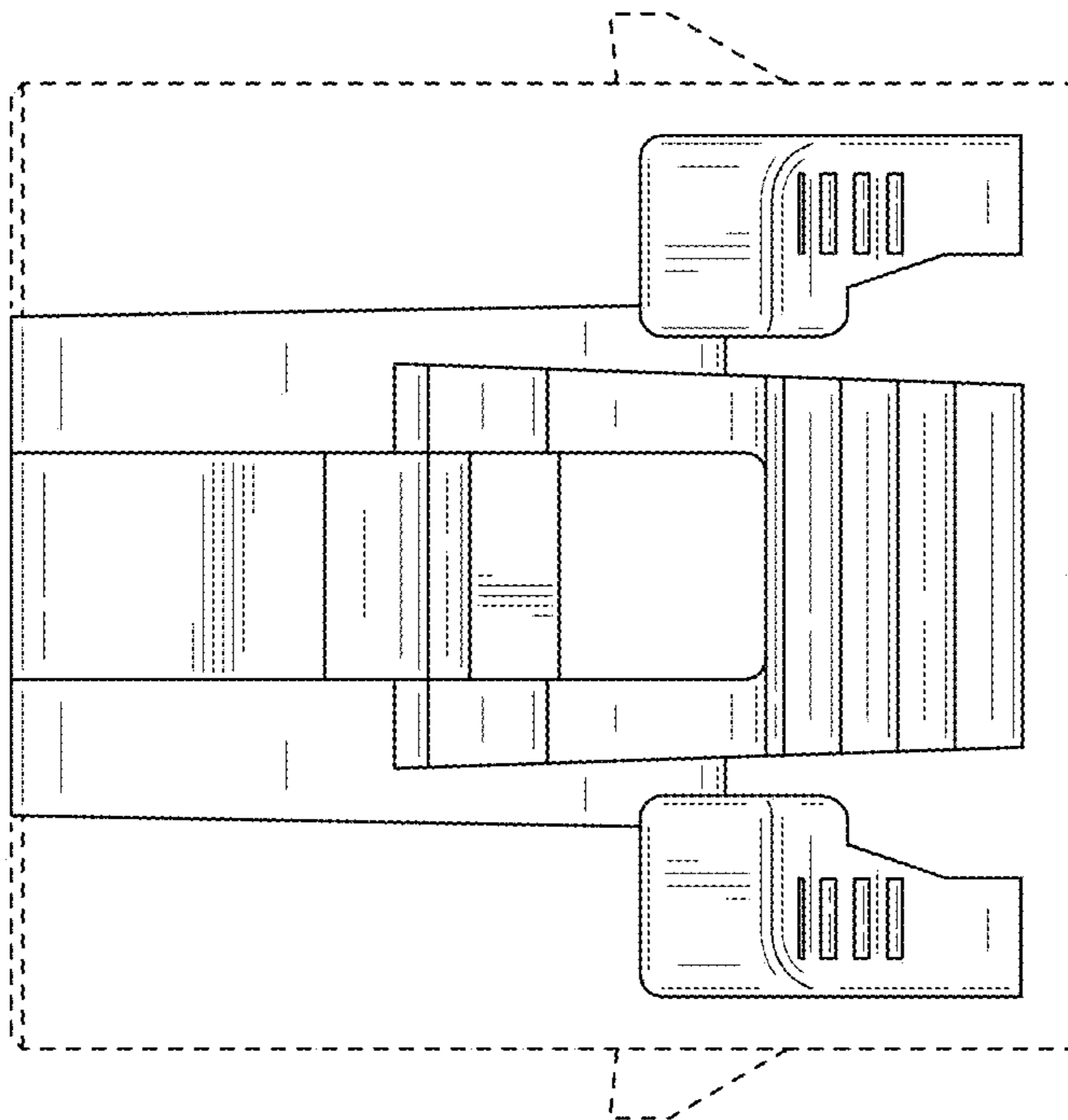


FIG. 7

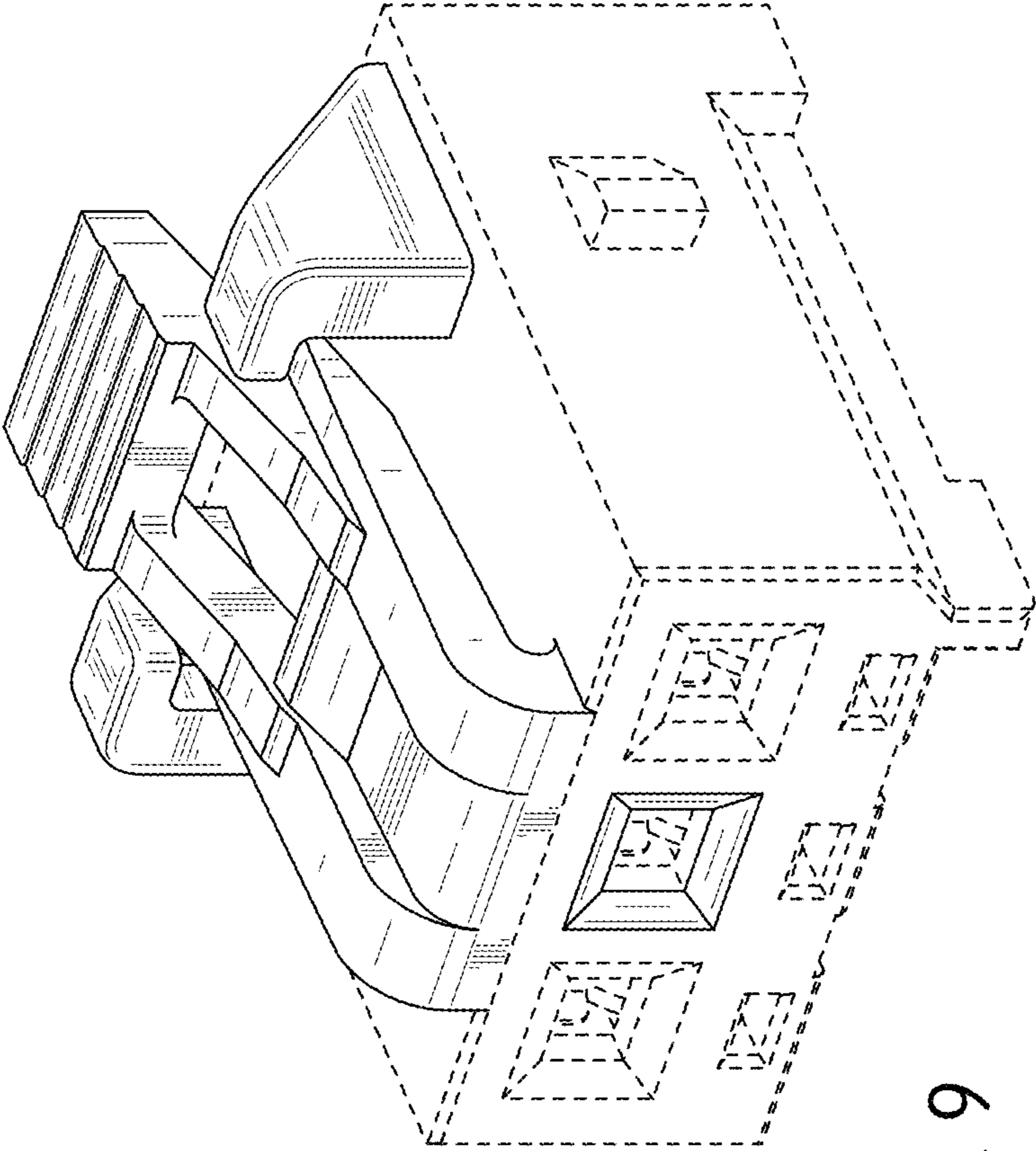


FIG. 9

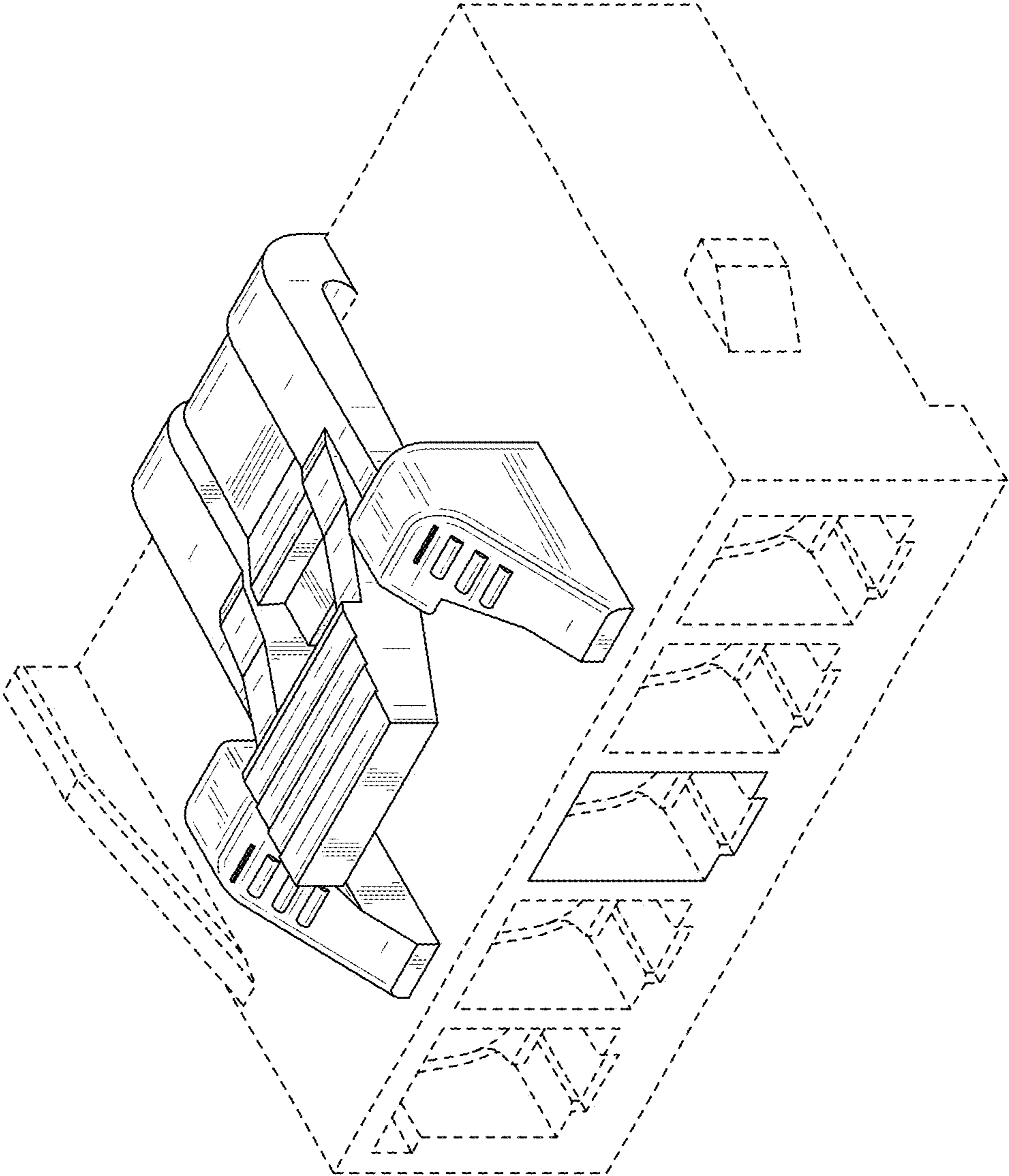


FIG. 10



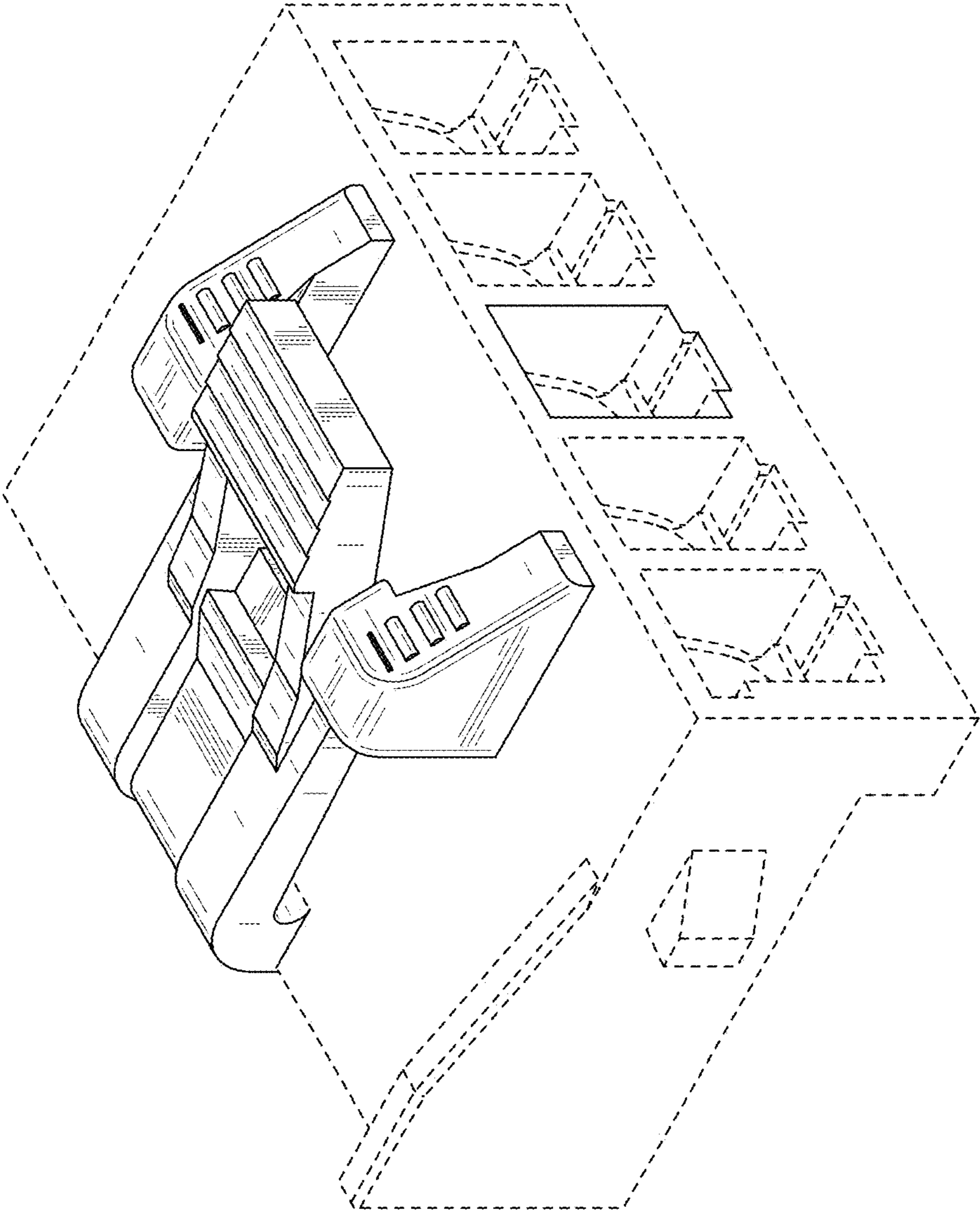


FIG. 11

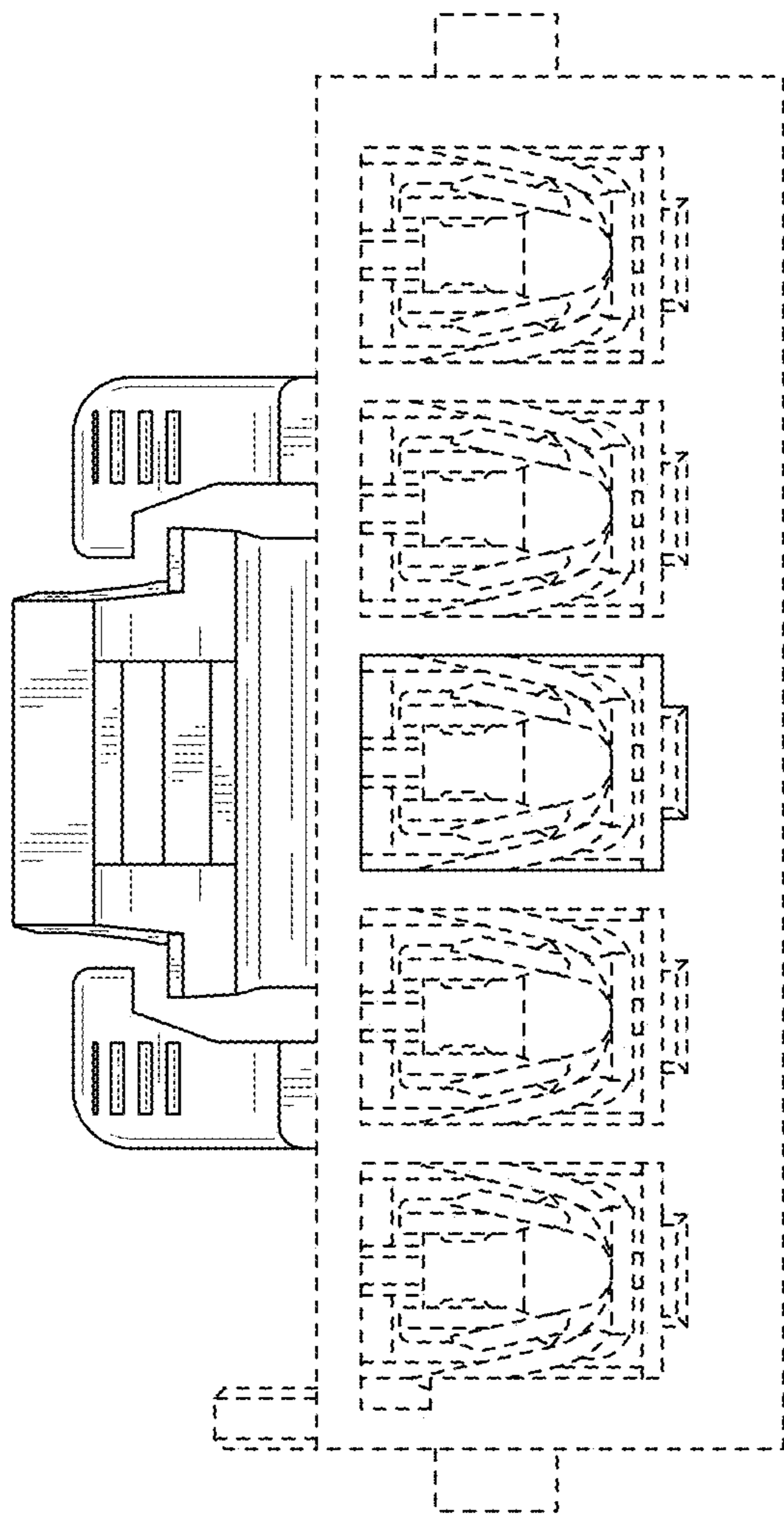


FIG. 12

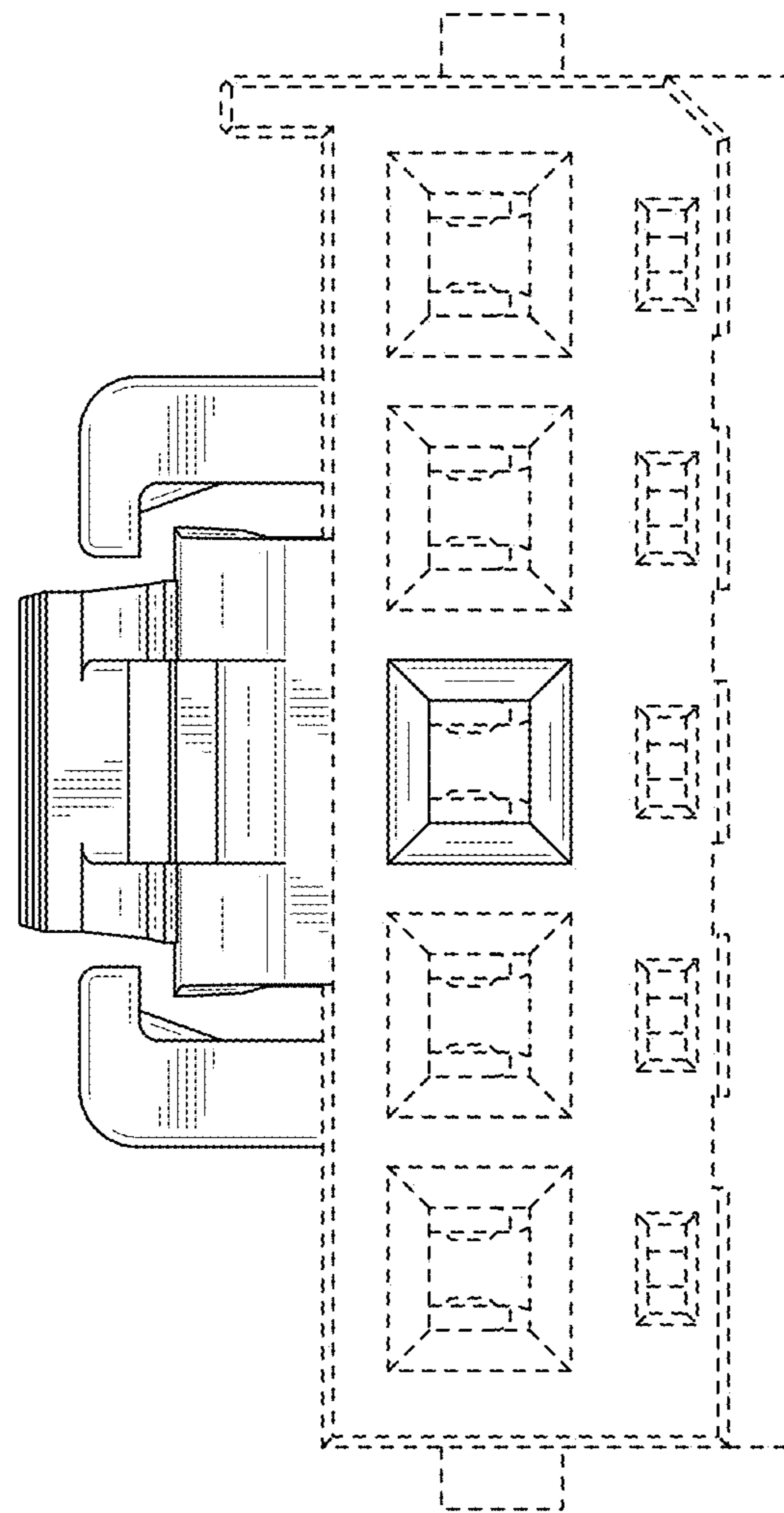


FIG. 13

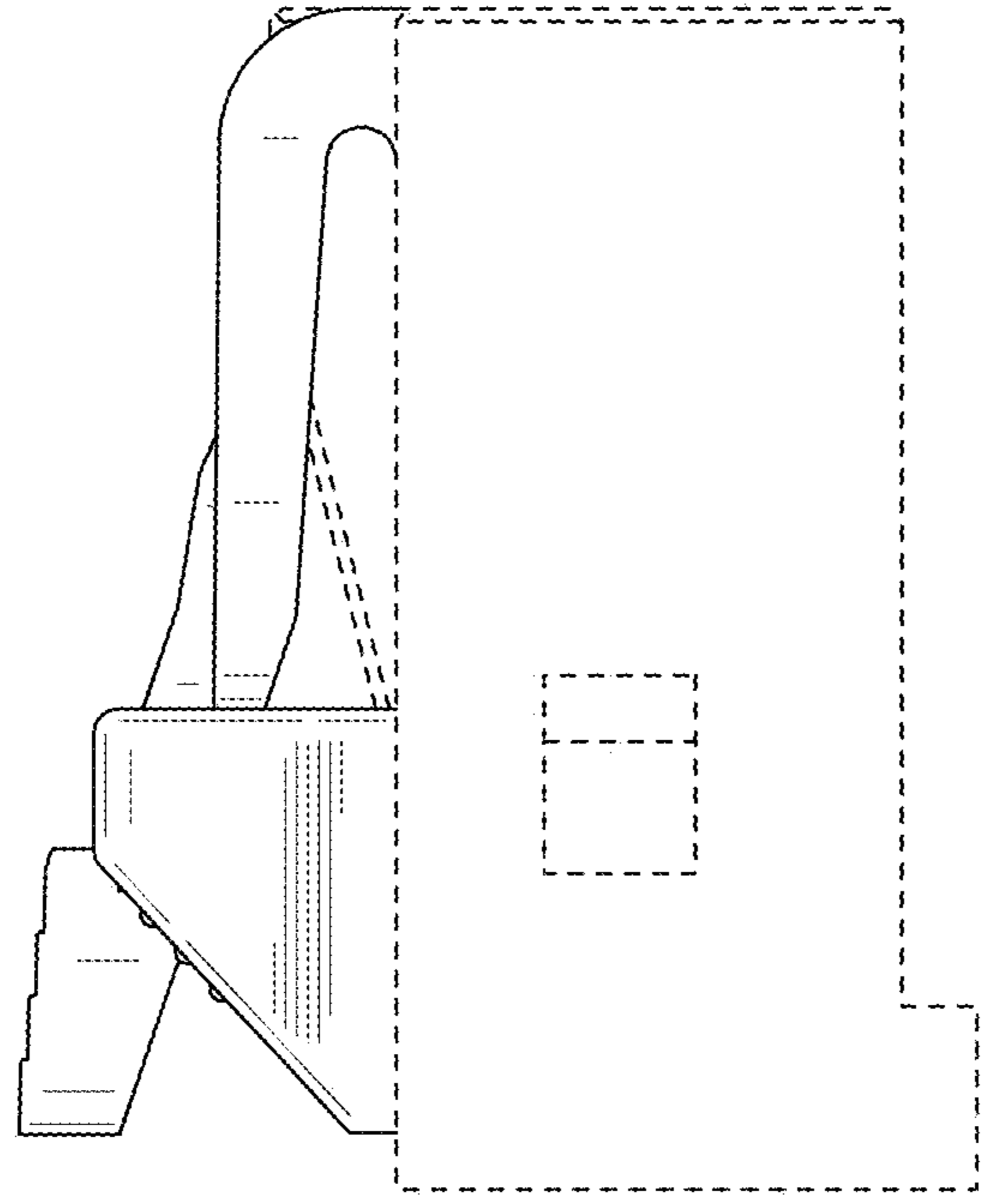


FIG. 15

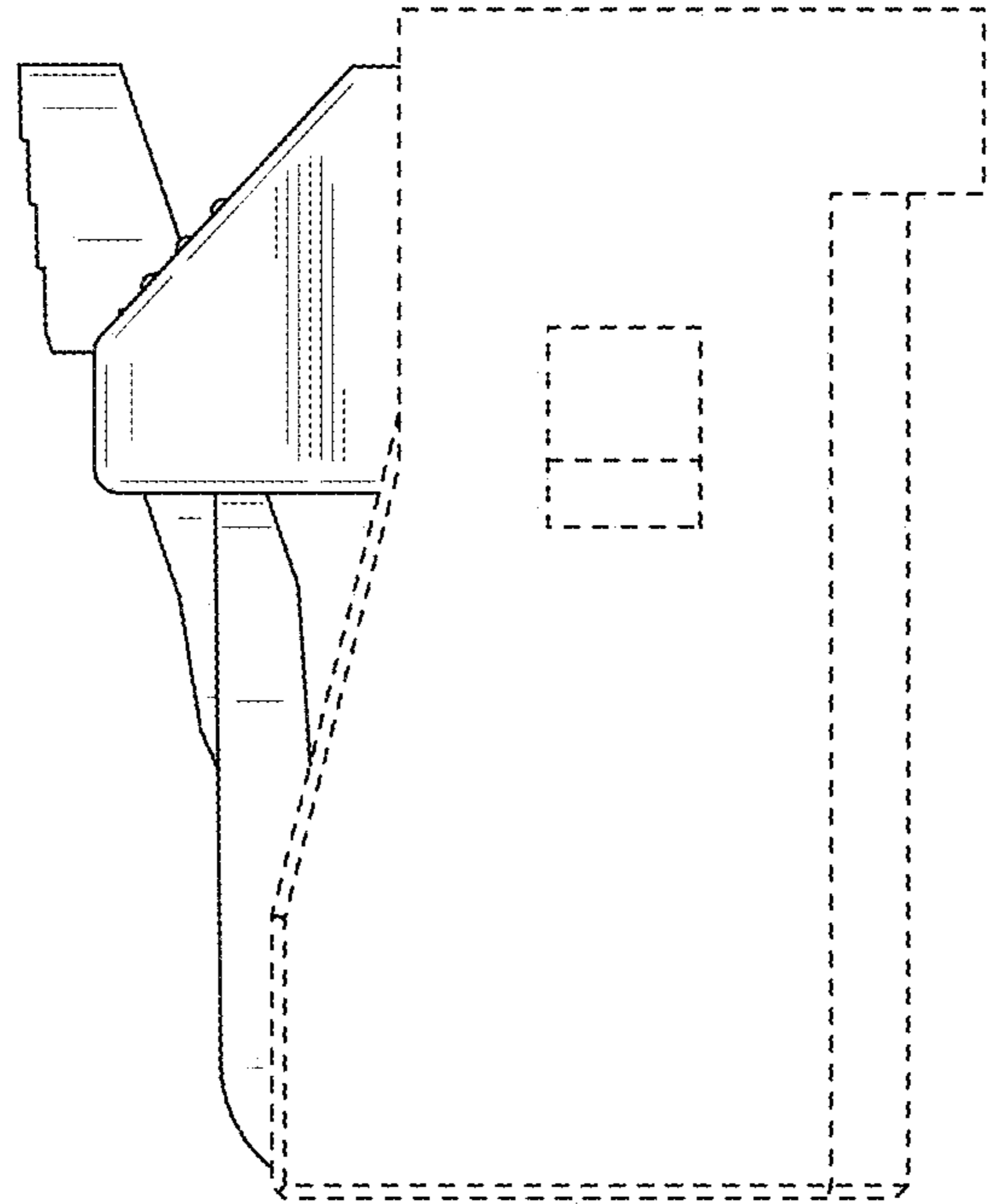


FIG. 14

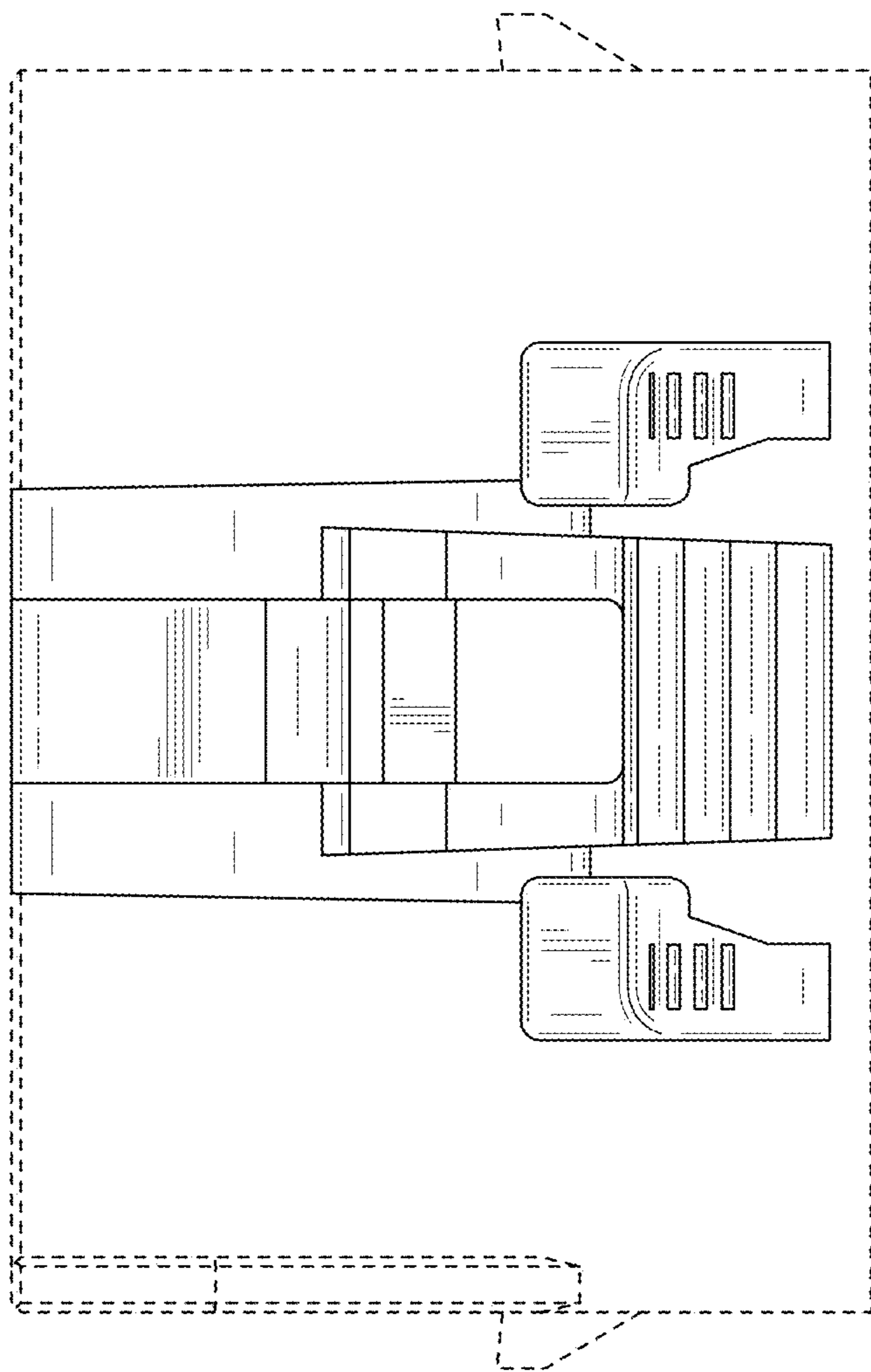


FIG. 16



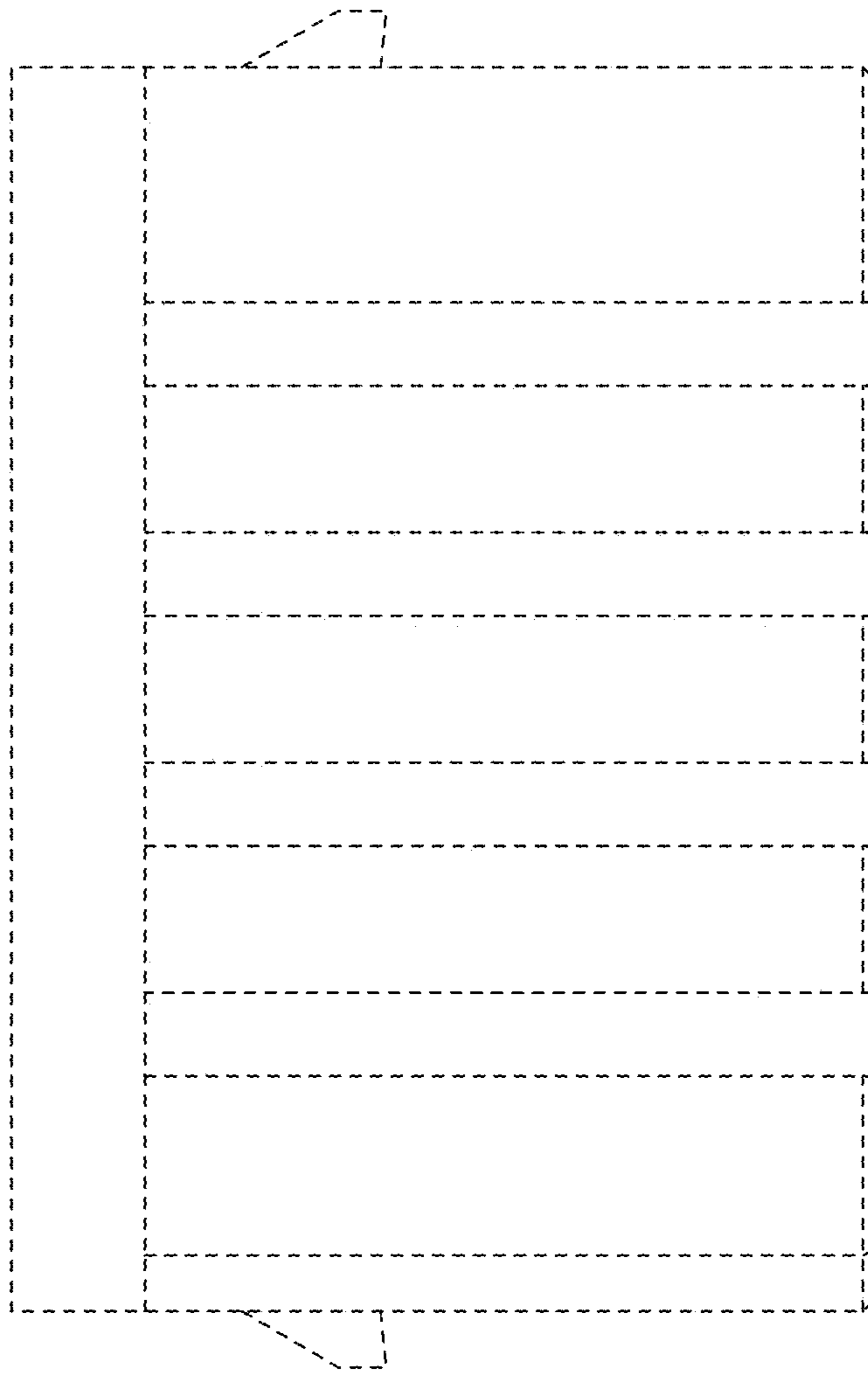
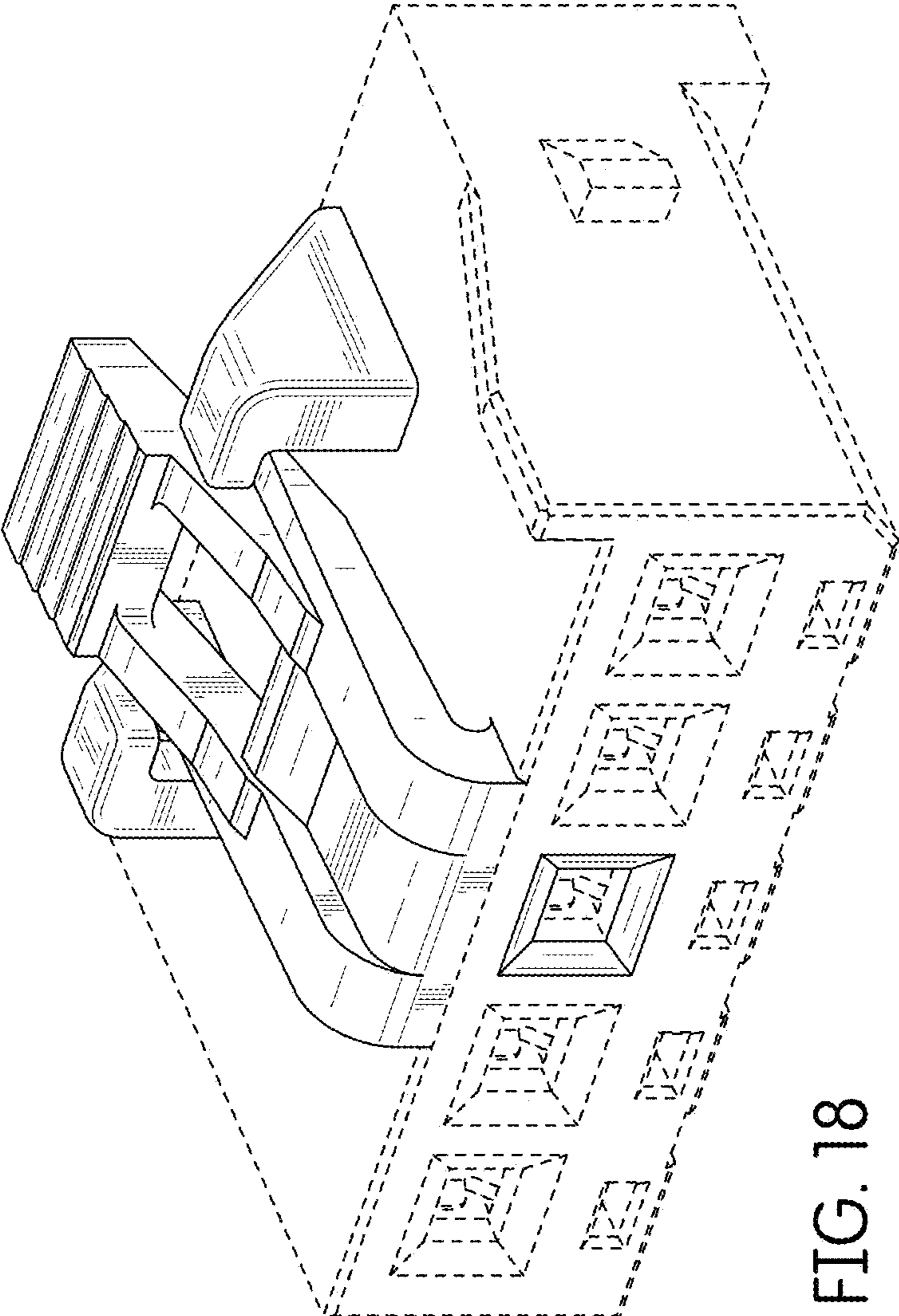


FIG. 17



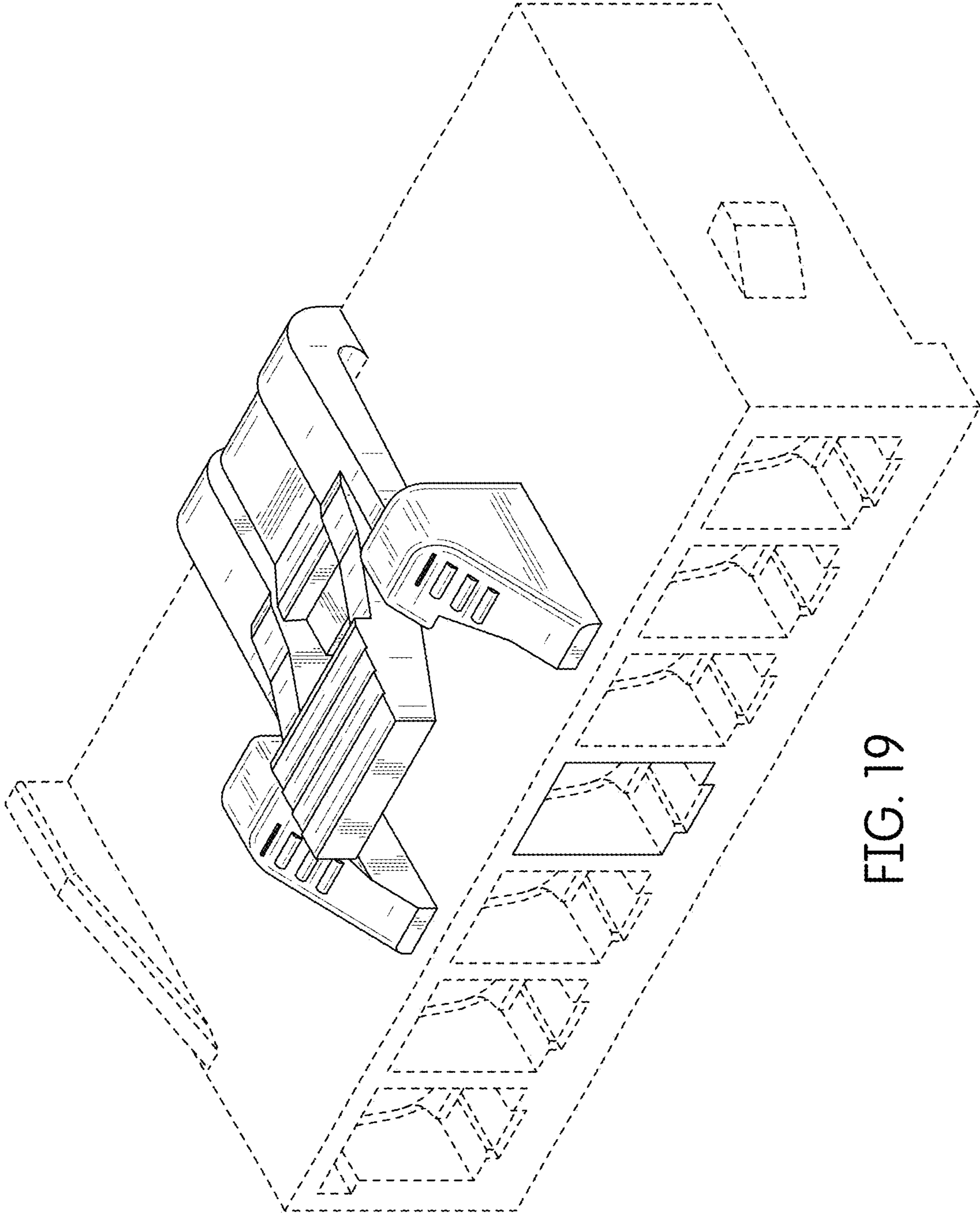


FIG. 19

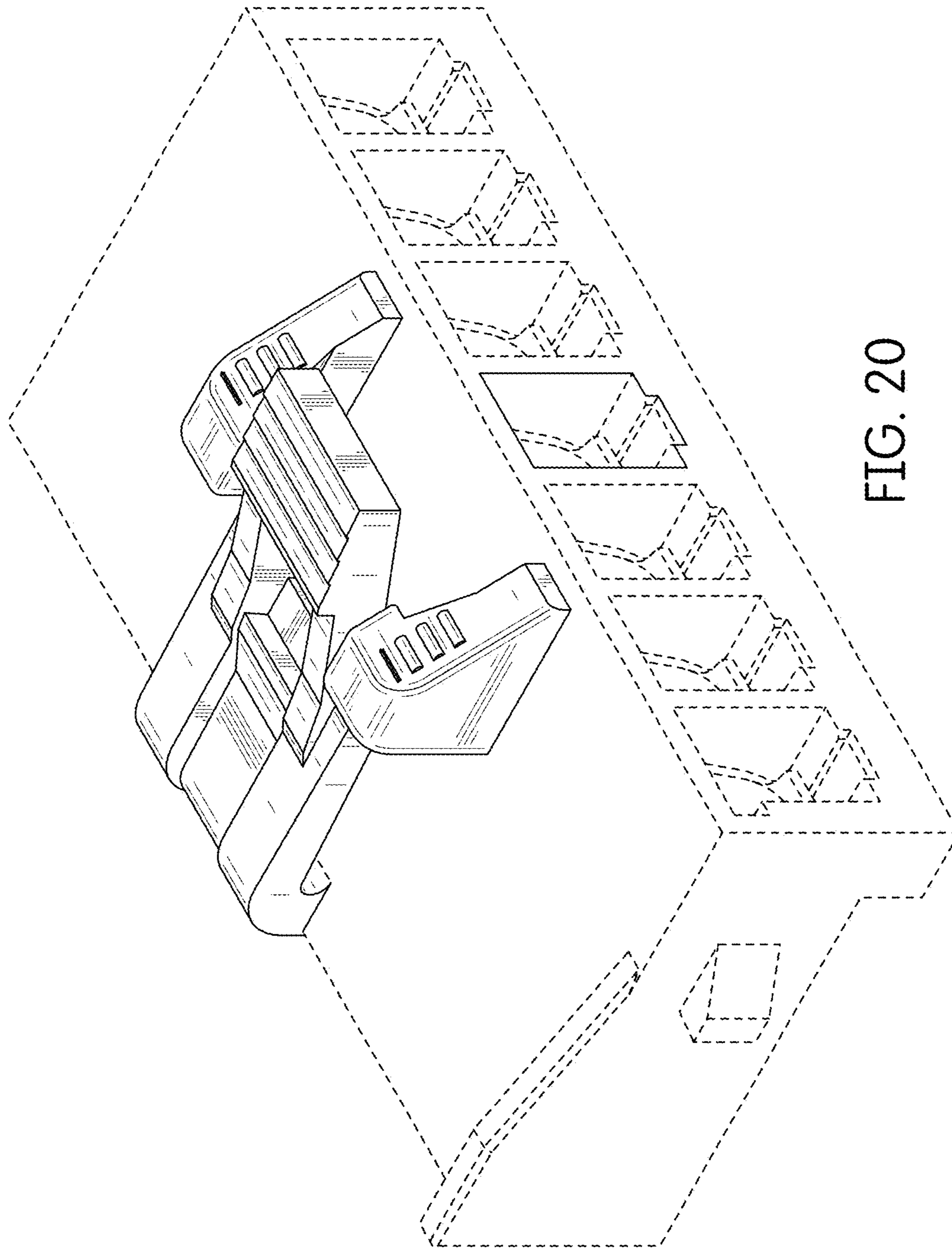


FIG. 20



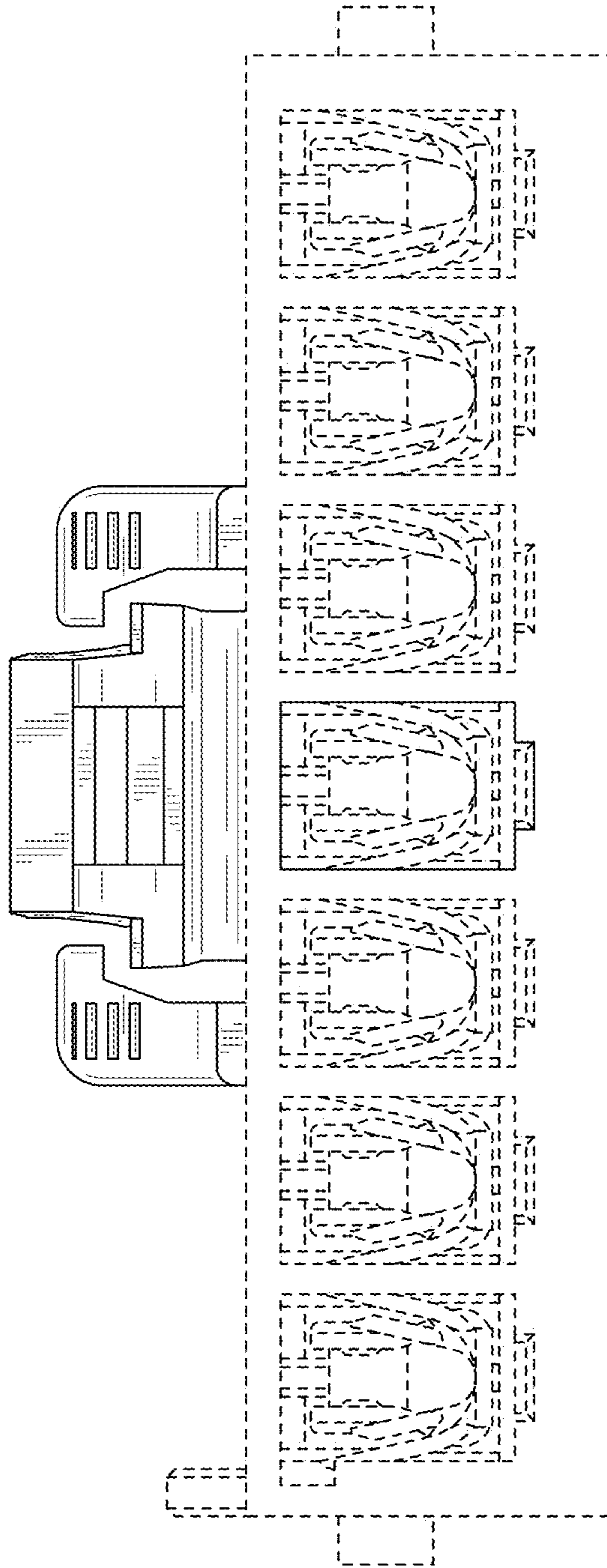


FIG. 21

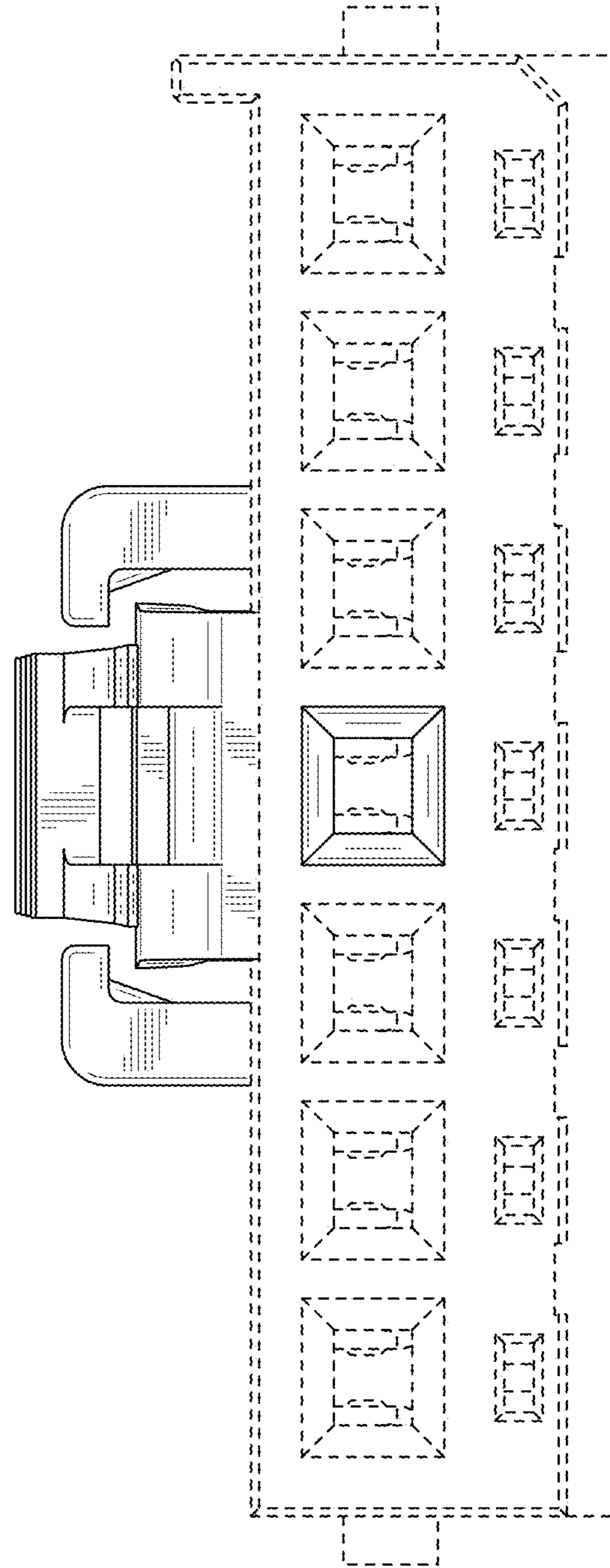


FIG. 22

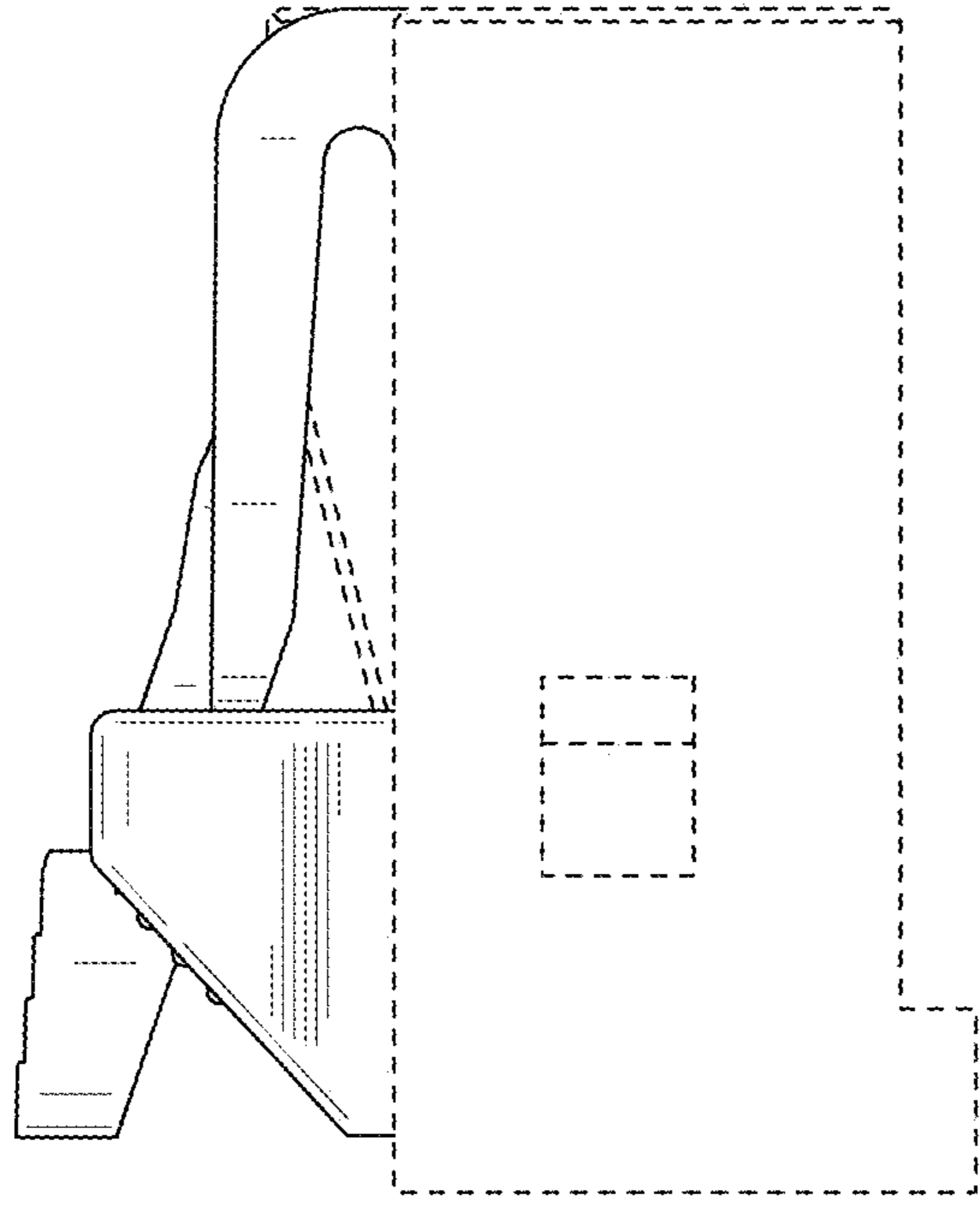


FIG. 24

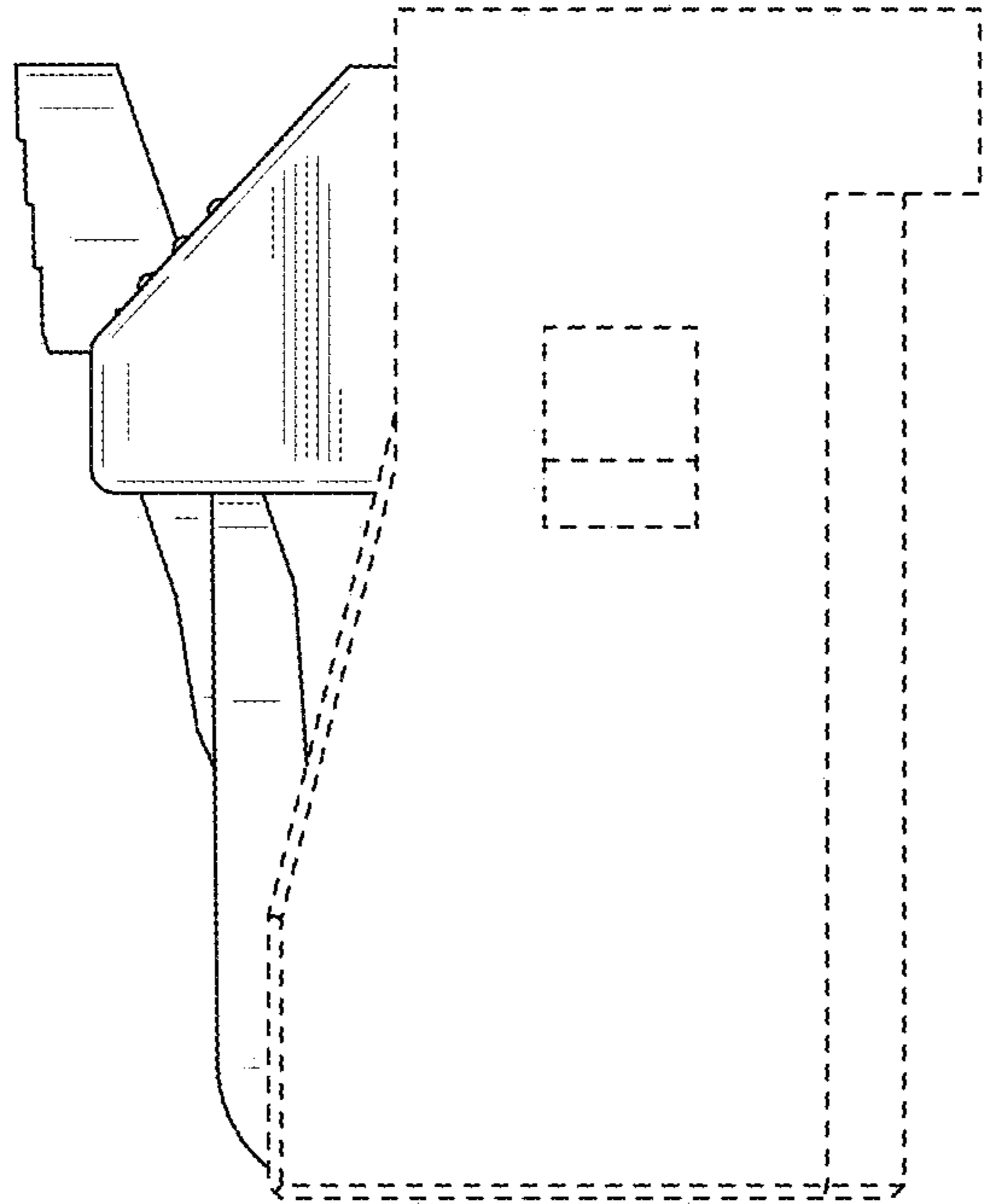


FIG. 23

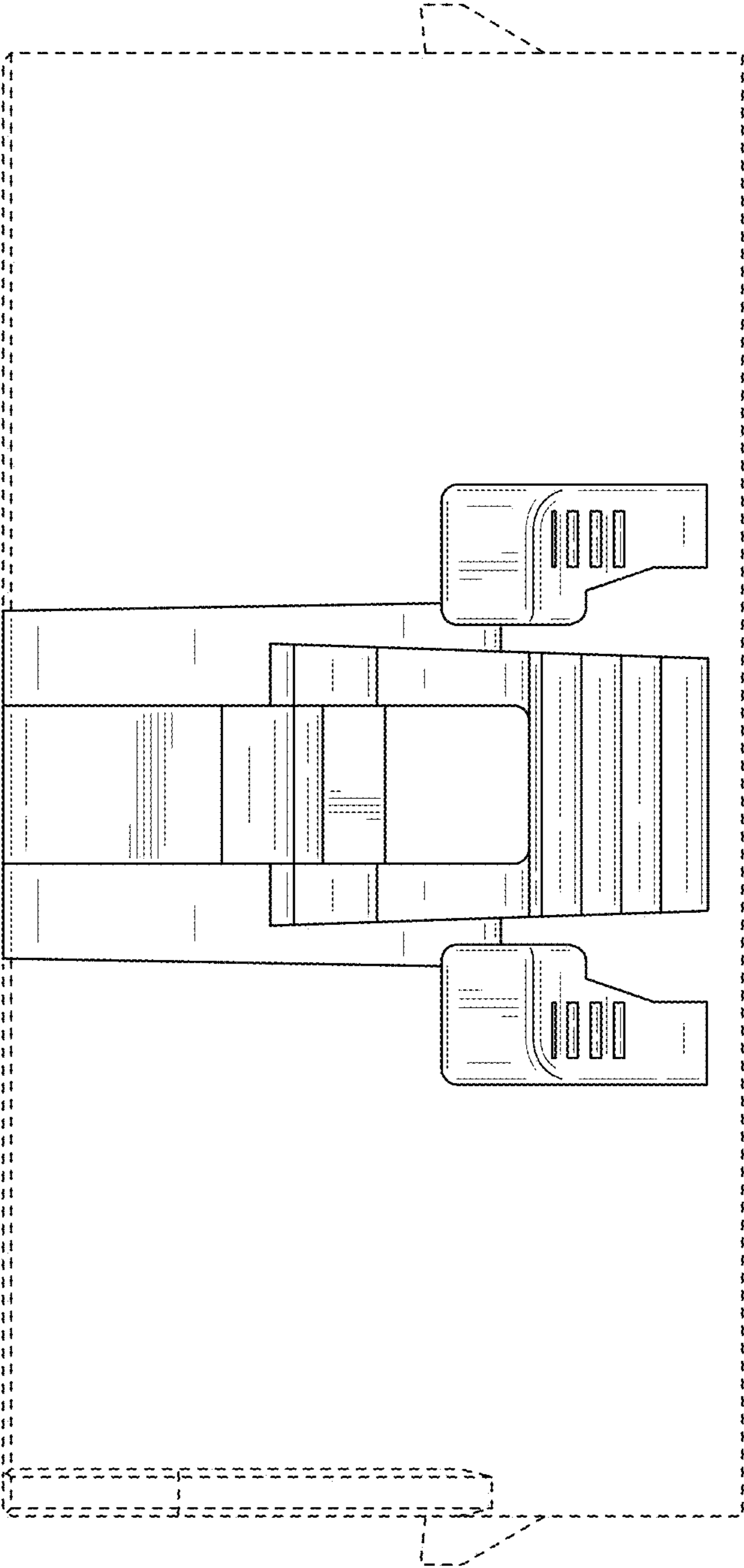


FIG. 25

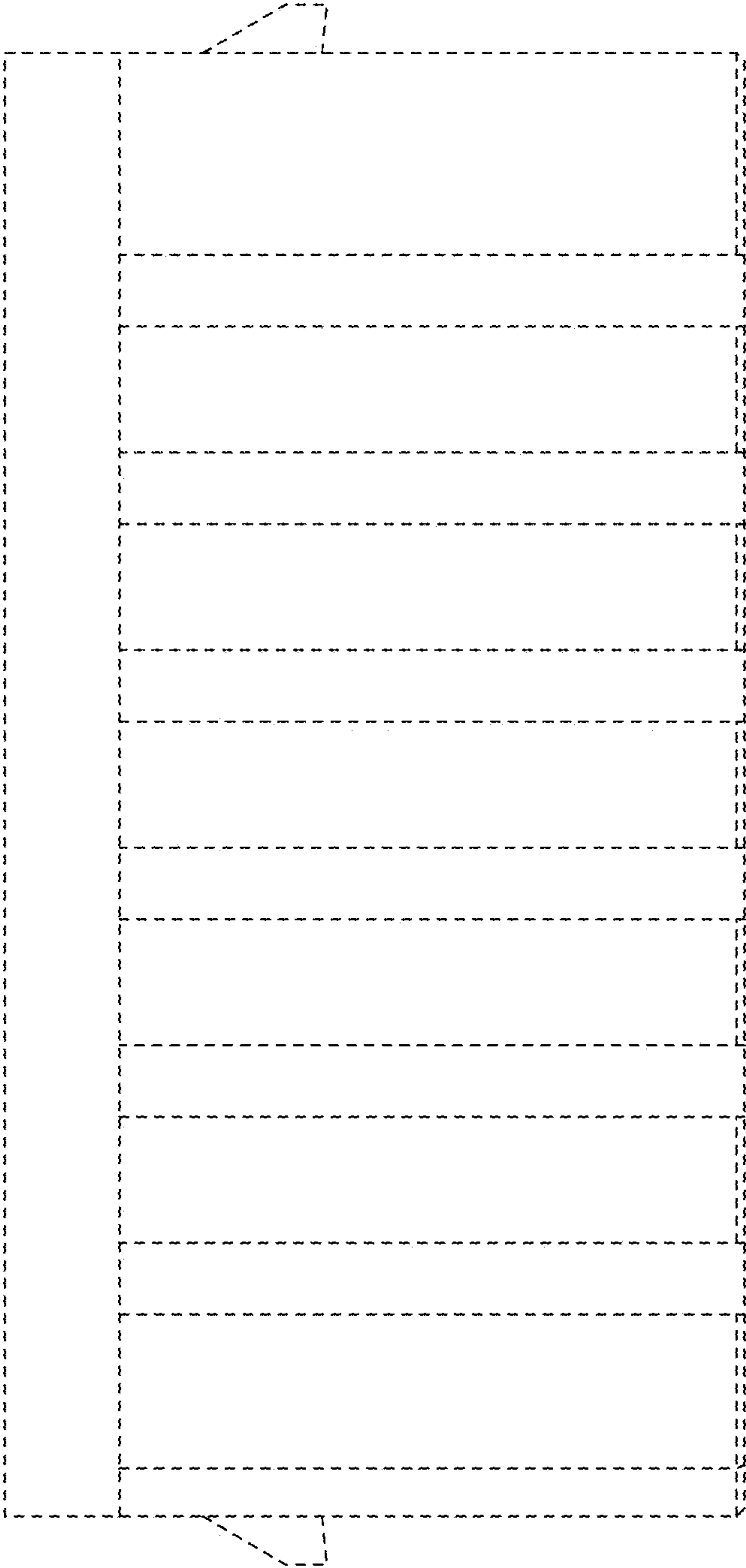


FIG. 26



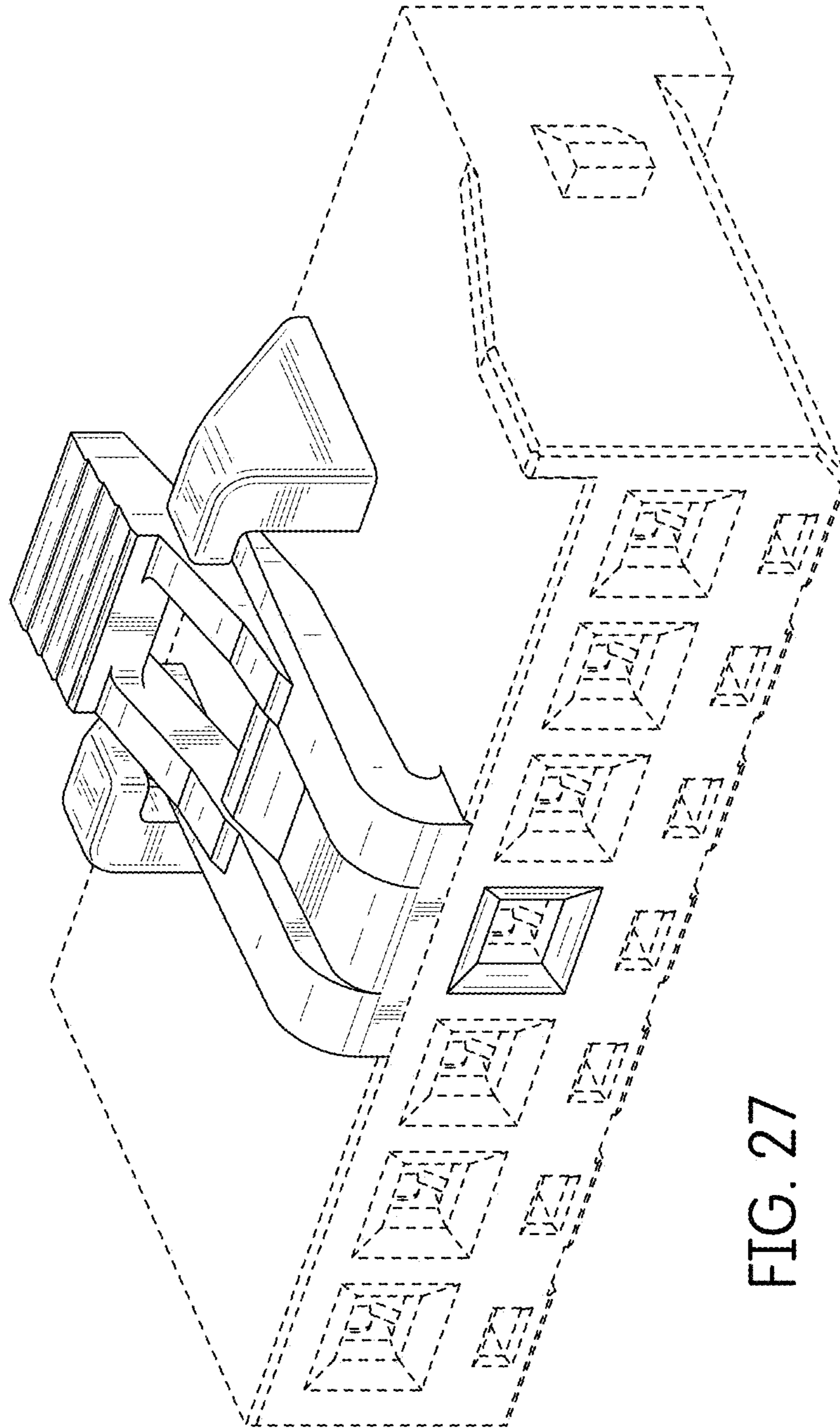


FIG. 27

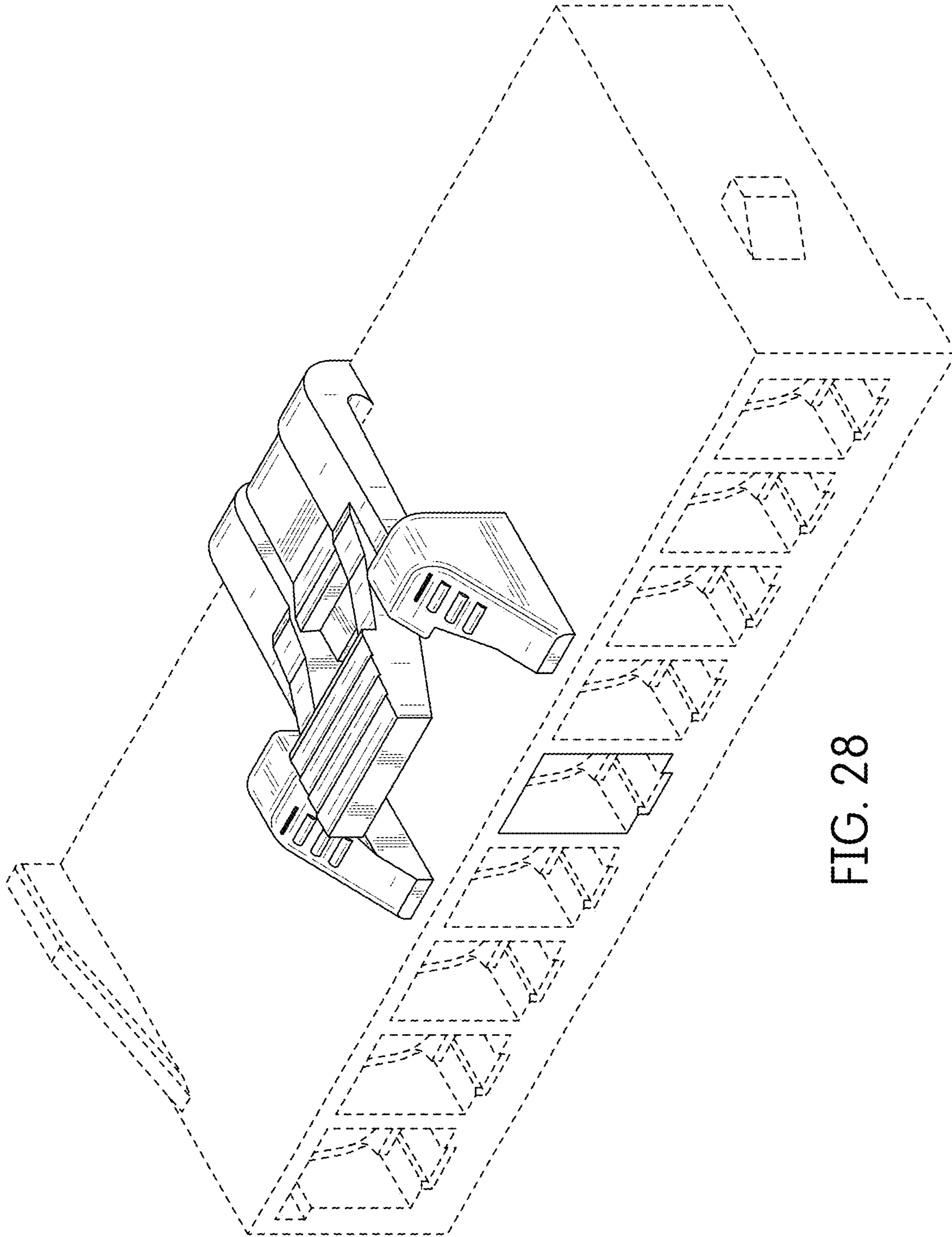


FIG. 28

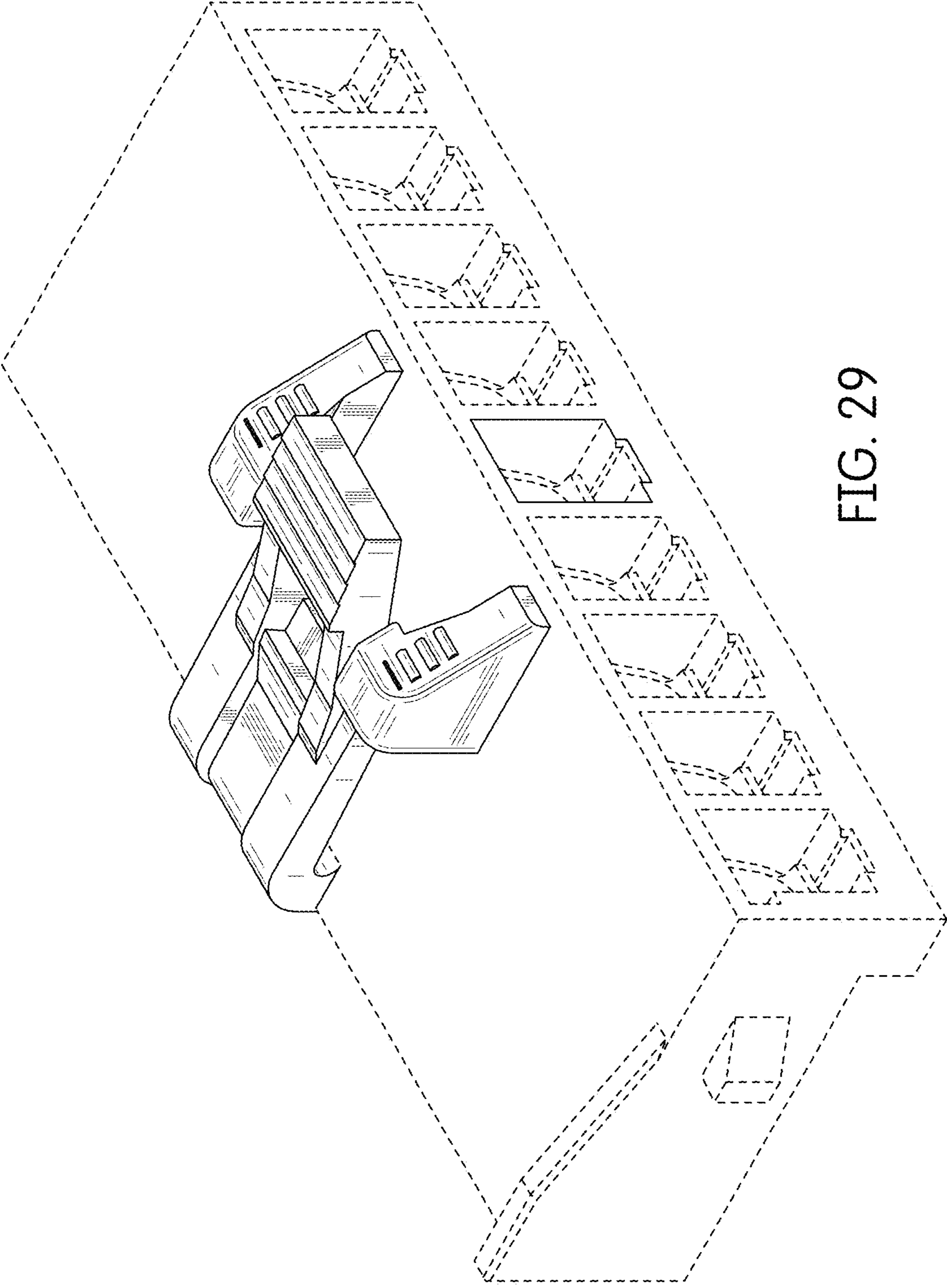


FIG. 29

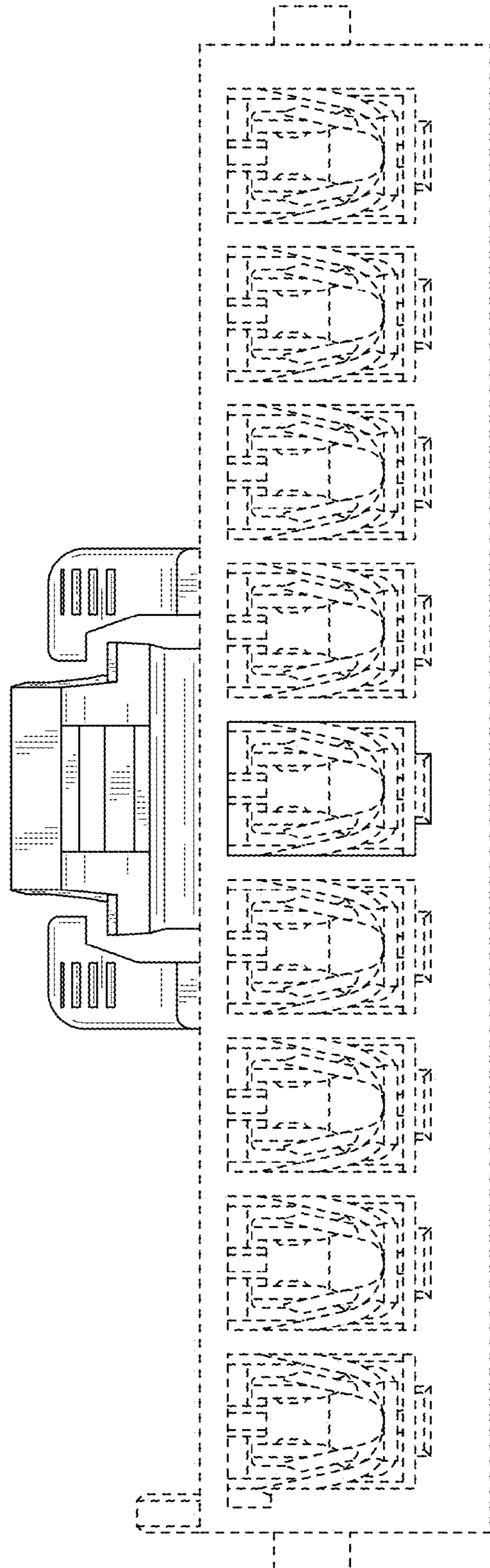


FIG. 30

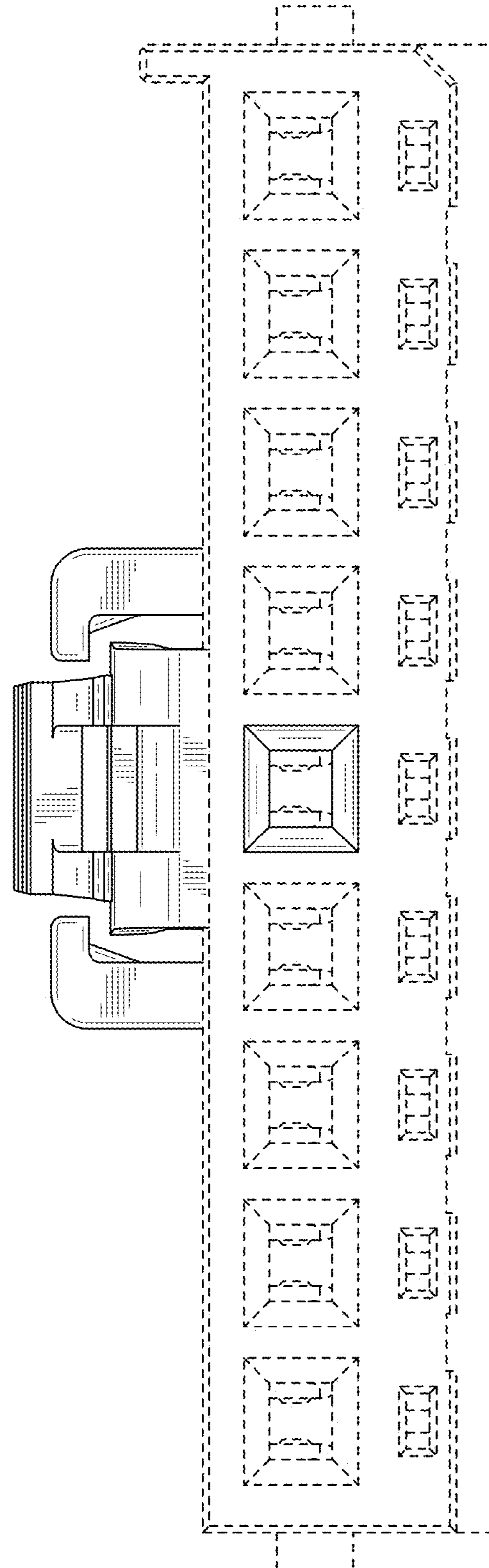


FIG. 31



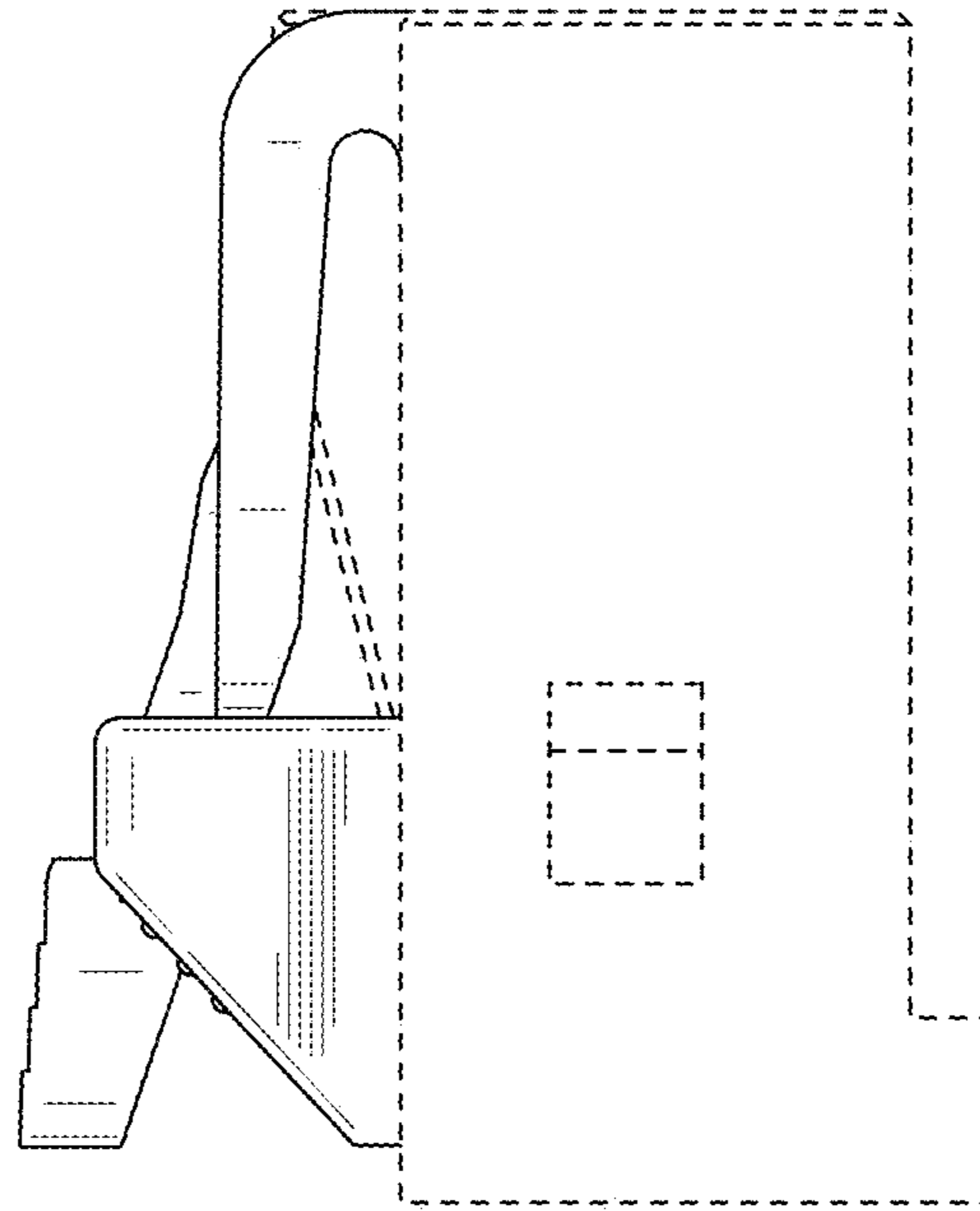


FIG. 32

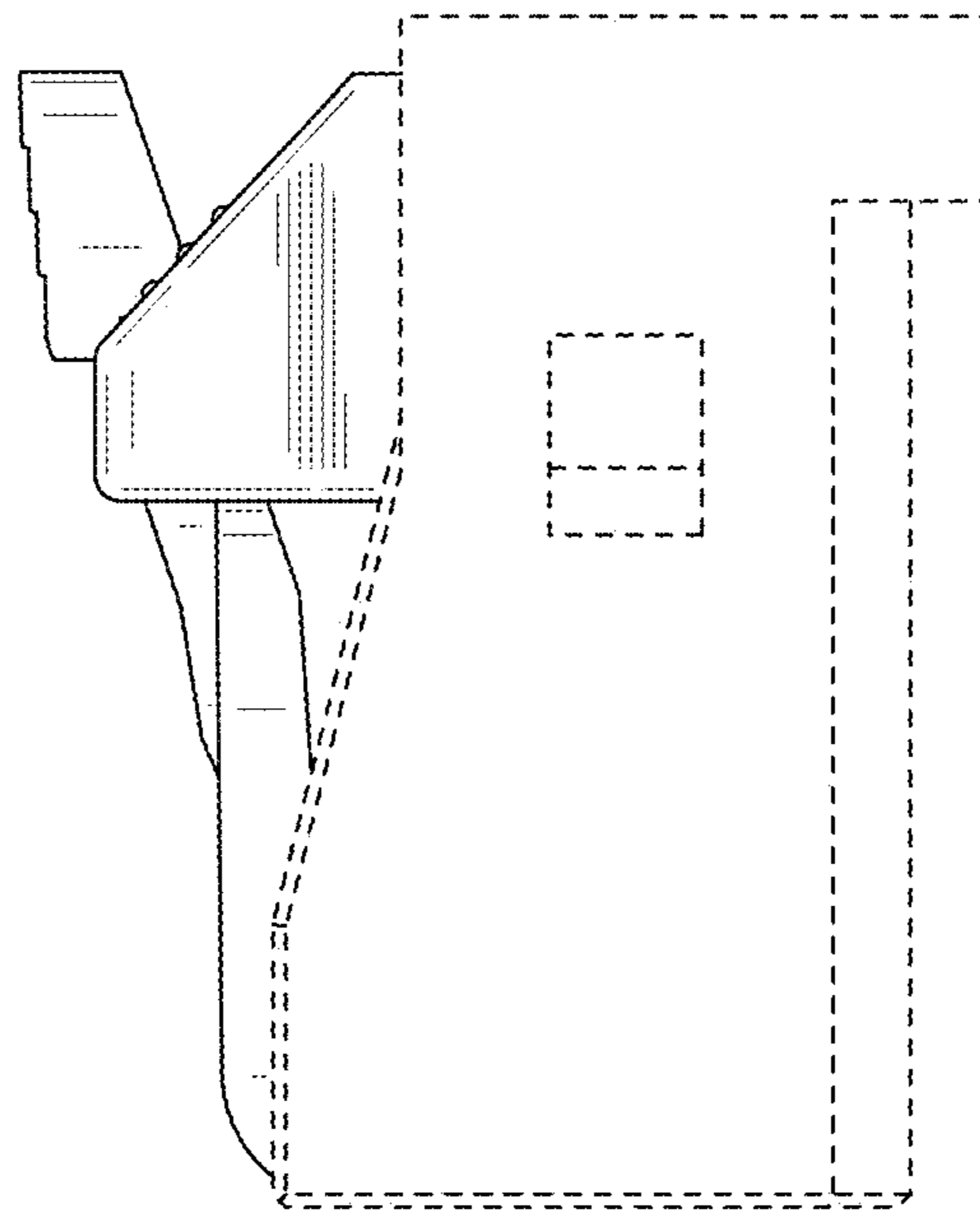


FIG. 33

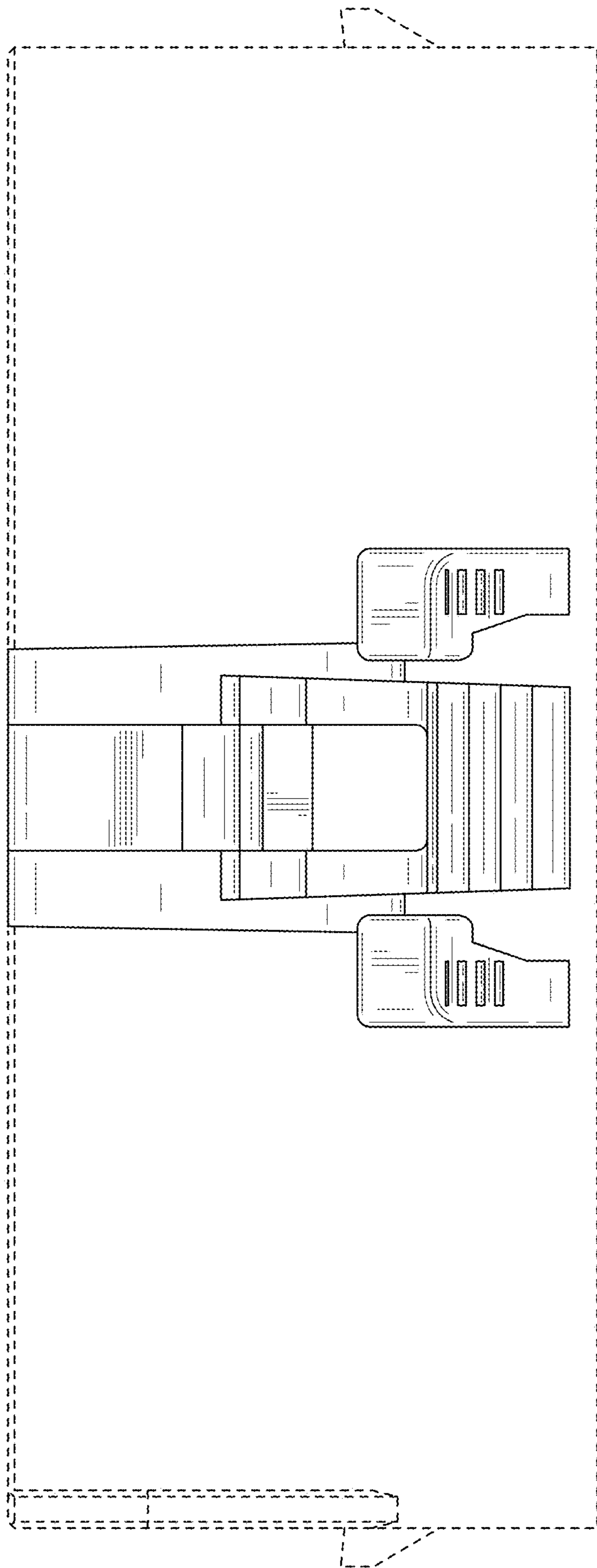


FIG. 34

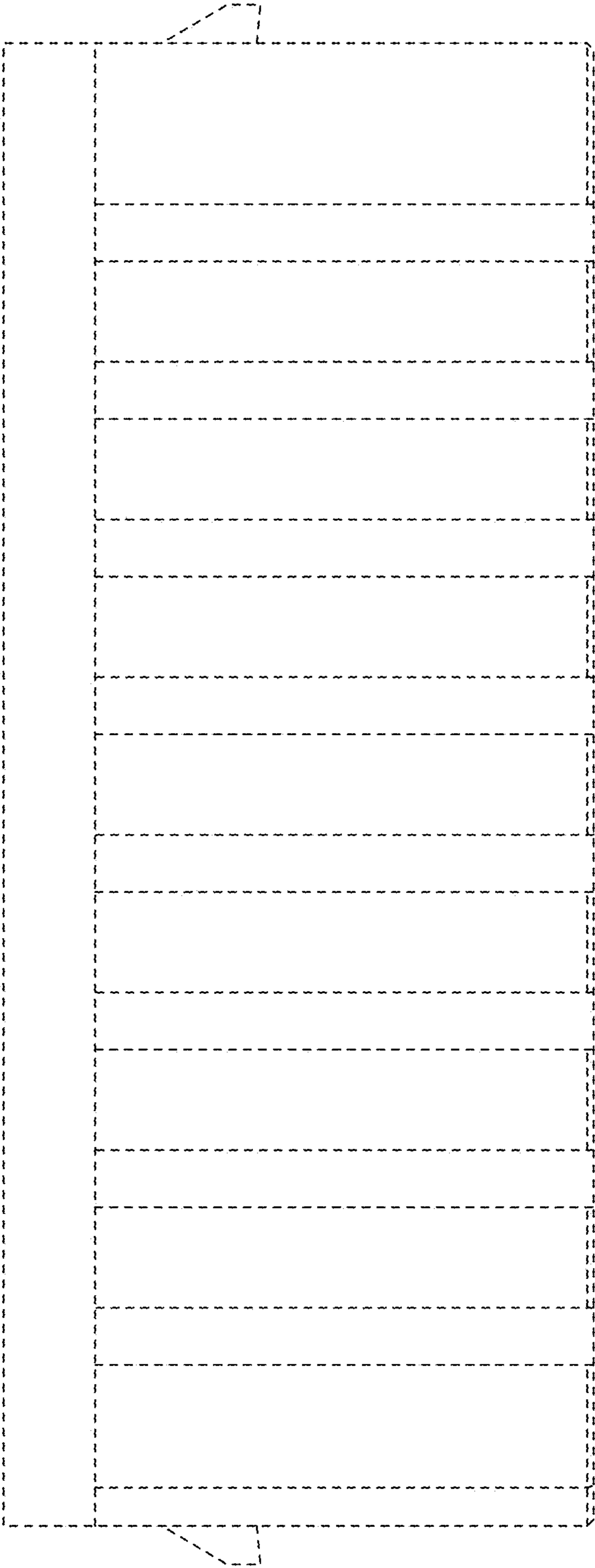


FIG. 35

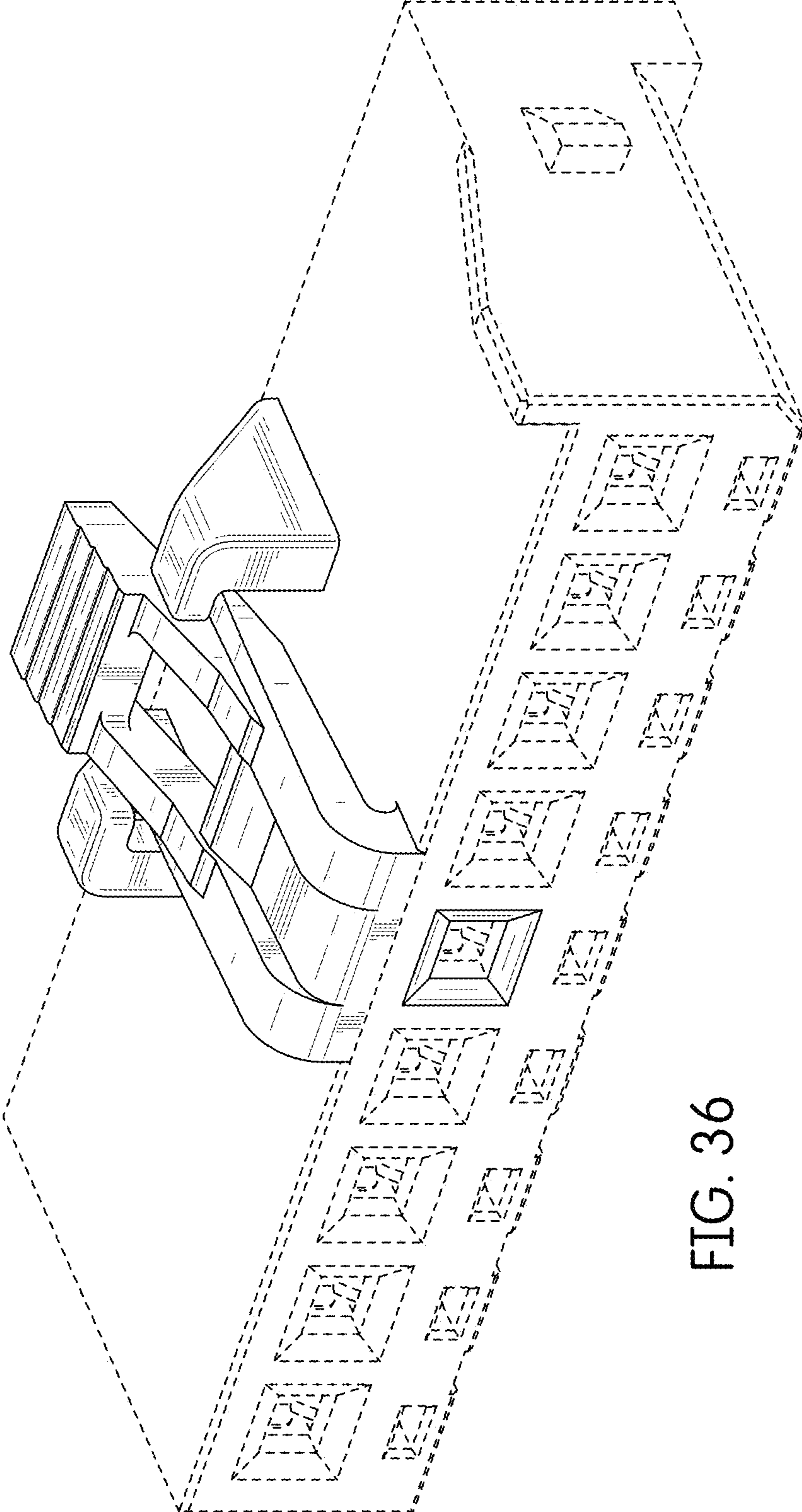


FIG. 36