



US00D911962S

(12) **United States Design Patent** (10) **Patent No.:** **US D911,962 S**  
**Obata et al.** (45) **Date of Patent:** **\*\* Mar. 2, 2021**

(54) **CONNECTOR TERMINAL**

(71) Applicant: **Japan Aviation Electronics Industry, Limited**, Tokyo (JP)

(72) Inventors: **Yusuke Obata**, Tokyo (JP); **Hiroaki Obikane**, Tokyo (JP)

(73) Assignee: **JAPAN AVIATION ELECTRONICS INDUSTRY, LIMITED**, Tokyo (JP)

(\*\*) Term: **15 Years**

(21) Appl. No.: **29/674,911**

(22) Filed: **Dec. 27, 2018**

(30) **Foreign Application Priority Data**

Jul. 2, 2018 (JP) ..... 2018-014553  
Jul. 2, 2018 (JP) ..... 2018-014554  
Jul. 2, 2018 (JP) ..... 2018-014555

(51) **LOC (13) Cl.** ..... **13-03**

(52) **U.S. Cl.**  
USPC ..... **D13/133**

(58) **Field of Classification Search**  
USPC ..... D13/110, 123, 133, 146, 147, 154, 118,  
D13/119, 120, 149, 178, 199

(Continued)

(56) **References Cited**

**U.S. PATENT DOCUMENTS**

5,888,107 A \* 3/1999 Seymour ..... H01R 13/04  
439/866  
6,290,556 B1 \* 9/2001 Howland ..... H01R 4/188  
439/879

(Continued)

**FOREIGN PATENT DOCUMENTS**

JP 2012-195228 A 10/2012

**OTHER PUBLICATIONS**

Japan Patent Office, "Office Action for Japanese Patent Application No. 2018-014553," dated Jan. 11, 2019.

(Continued)

*Primary Examiner* — Jennifer O King

(74) *Attorney, Agent, or Firm* — Manabu Kanosaka

(57) **CLAIM**

The ornamental design for a connector terminal, as shown and described.

**DESCRIPTION**

FIG. 1 is a front elevational view of a connector terminal showing a first embodiment of our new design;

FIG. 2 is a rear elevational view thereof;

FIG. 3 is a right side elevational view thereof;

FIG. 4 is a left side elevational view thereof;

FIG. 5 is a top plan view thereof;

FIG. 6 is a bottom plan view thereof;

FIG. 7 is a perspective view showing a front, top and right side thereof;

FIG. 8 is a perspective view showing a rear, bottom and left side thereof;

FIG. 9 is a perspective view showing a front, right and bottom side thereof;

FIG. 10 is a perspective view showing a rear, left and top side thereof;

FIG. 11 is a front elevational view of a connector terminal showing a second embodiment of our new design;

FIG. 12 is a rear elevational view thereof;

FIG. 13 is a right side elevational view thereof;

FIG. 14 is a left side elevational view thereof;

FIG. 15 is a top plan view thereof;

FIG. 16 is a bottom plan view thereof;

FIG. 17 is a perspective view showing a front, top and right side thereof;

FIG. 18 is a perspective view showing a rear, bottom and left side thereof;

FIG. 19 is a perspective view showing a front, right and bottom side thereof;

FIG. 20 is a perspective view showing a rear, left and top side thereof;

(Continued)

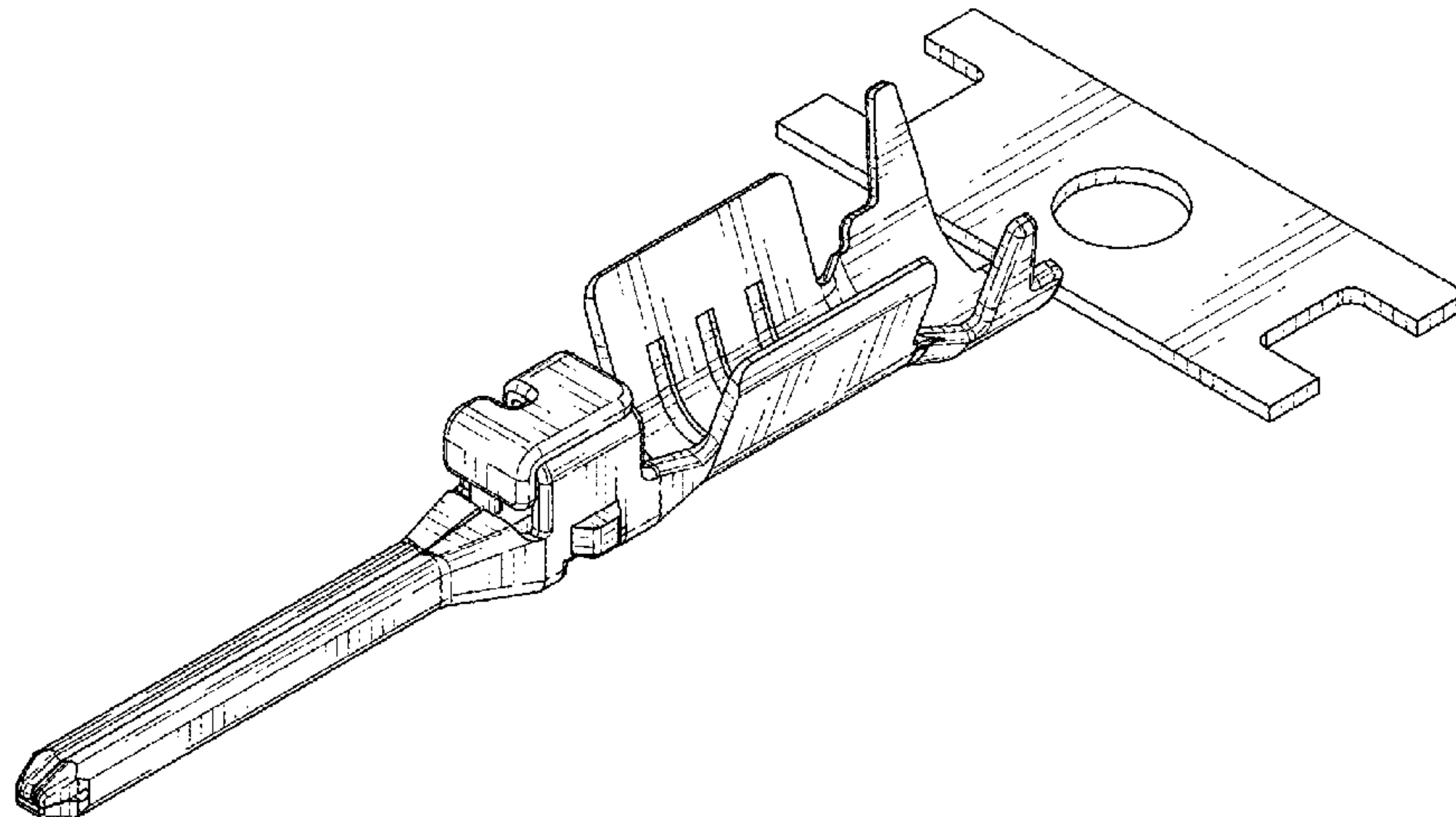


FIG. 21 is a front elevational view of a connector terminal showing a third embodiment of our new design;  
FIG. 22 is a rear elevational view thereof;  
FIG. 23 is a right side elevational view thereof;  
FIG. 24 is a left side elevational view thereof;  
FIG. 25 is a top plan view thereof;  
FIG. 26 is a bottom plan view thereof;  
FIG. 27 is a perspective view showing a front, top and right side thereof;  
FIG. 28 is a perspective view showing a rear, bottom and left side thereof;  
FIG. 29 is a perspective view showing a front, right and bottom side thereof; and,  
FIG. 30 is a perspective view showing a rear, left and top side thereof.  
The broken line showing of the connector terminal is for the purpose of illustrating portions of the article and forms no part of the claimed design.

**1 Claim, 15 Drawing Sheets**

(58) **Field of Classification Search**  
CPC ..... H01R 4/183; H01R 4/184; H01R 4/185  
See application file for complete search history.

(56)

**References Cited**

U.S. PATENT DOCUMENTS

D568,245	S *	5/2008	Kudo	.....	D13/133
9,799,976	B2 *	10/2017	Lehner	.....	H01R 13/04
D840,942	S *	2/2019	DeVito	.....	D13/149
D842,811	S *	3/2019	Iwasawa	.....	D13/133
D876,360	S *	2/2020	Obata	.....	D13/133
D882,525	S *	4/2020	Bhagynathan Sathianathan	.....	D13/154
2008/0070452	A1 *	3/2008	Komiyama	.....	H01R 13/113 439/852
2012/0003881	A1 *	1/2012	Hora	.....	H01R 13/114 439/816
2017/0162953	A1 *	6/2017	Kojima	.....	H01R 4/183

OTHER PUBLICATIONS

Japan Patent Office, "Office Action for Japanese Patent Application No. 2018-014554," dated Jan. 11, 2019.

Japan Patent Office, "Office Action for Japanese Patent Application No. 2018-014555," dated Jan. 11, 2019.

\* cited by examiner

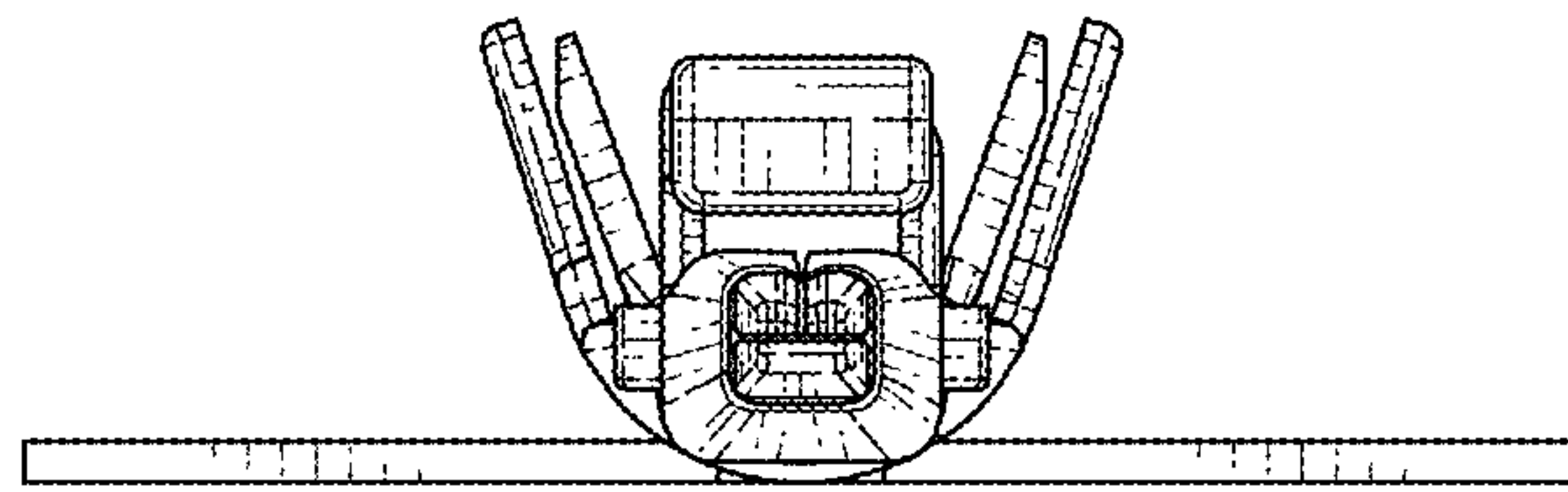


FIG. 1

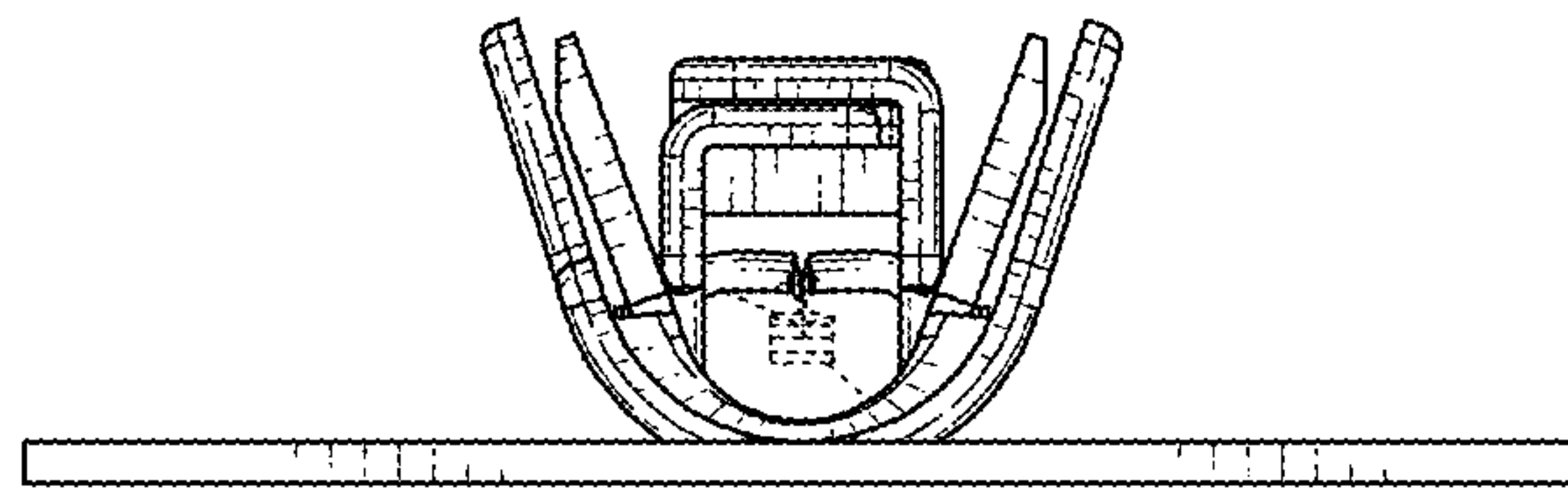


FIG. 2

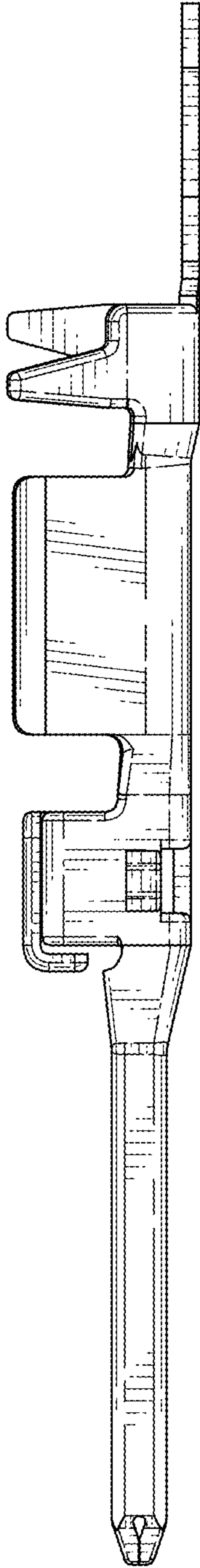


FIG. 3

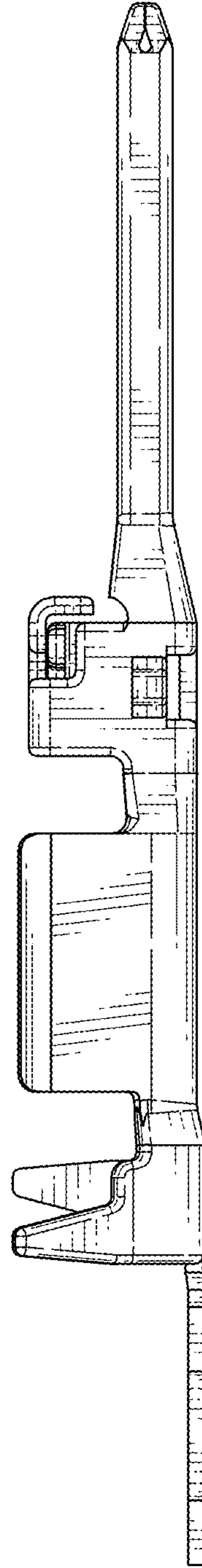


FIG. 4



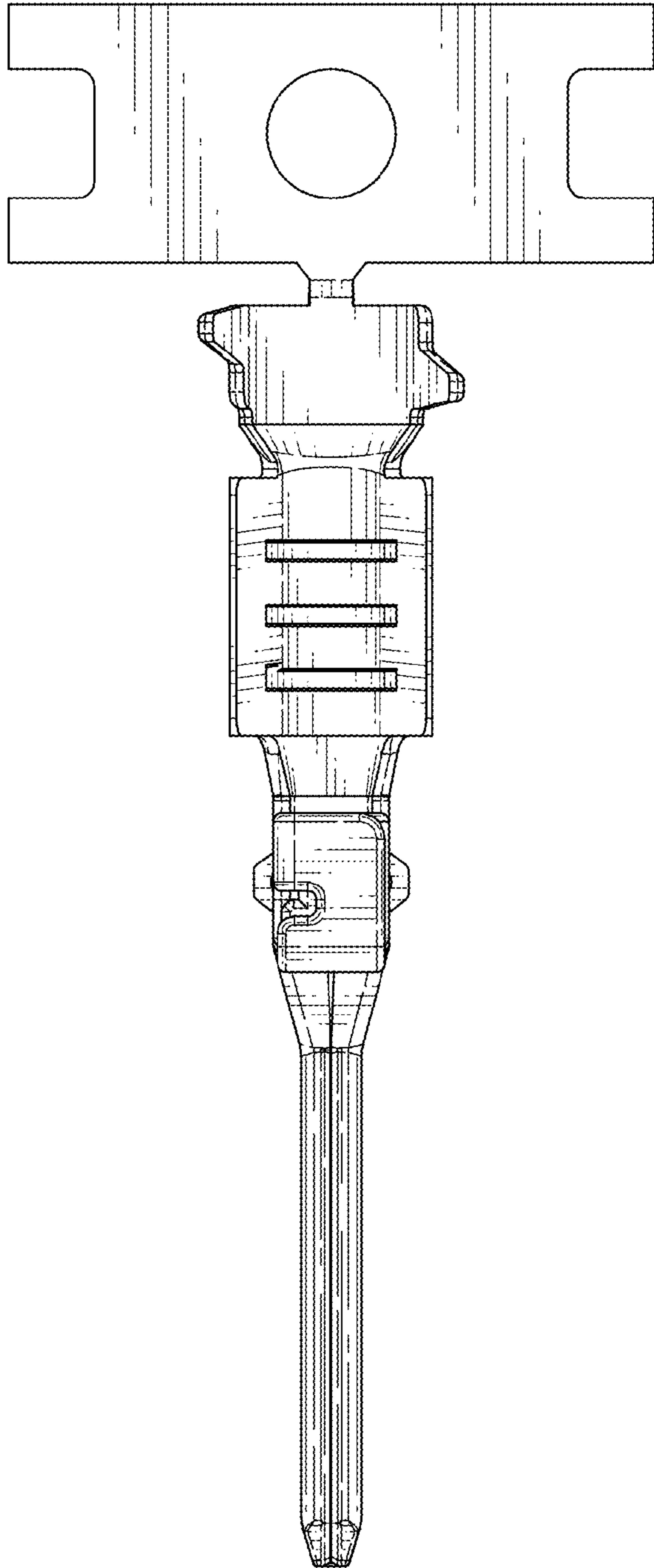


FIG. 5

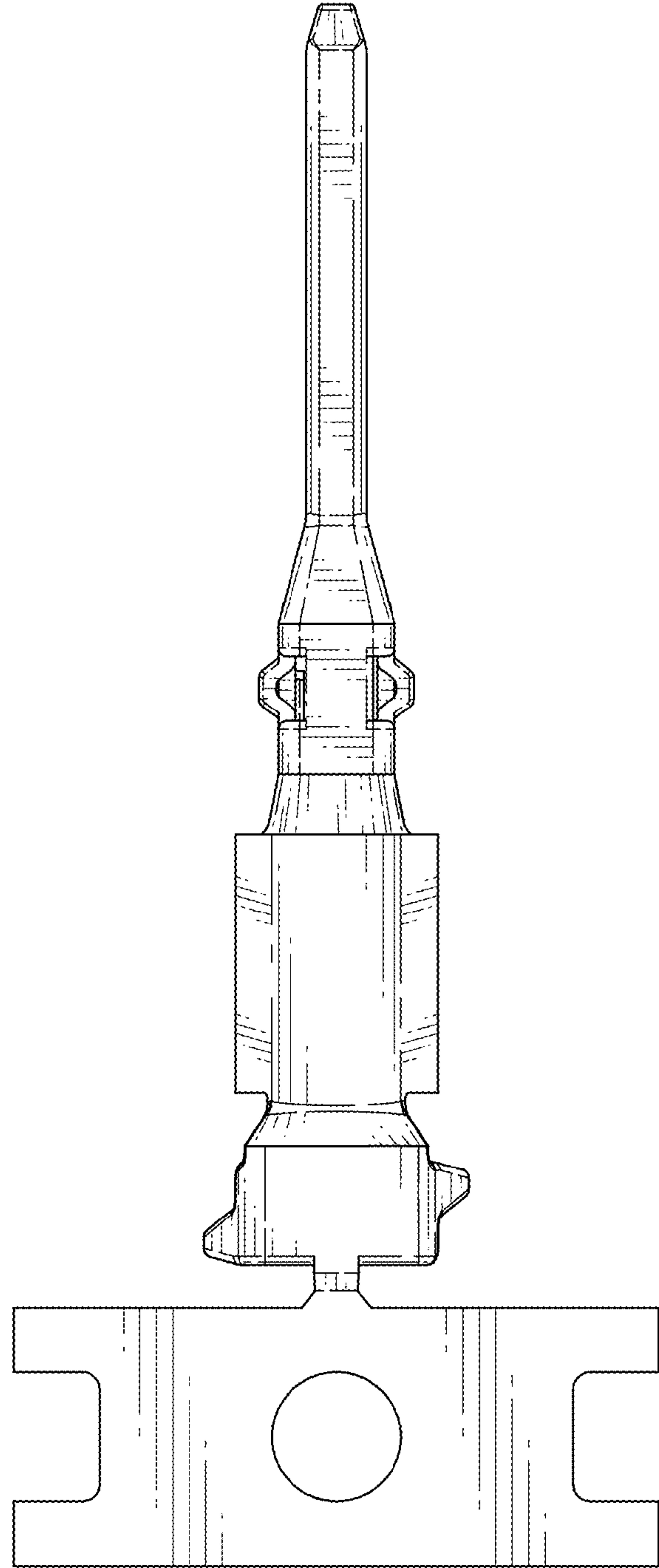


FIG. 6

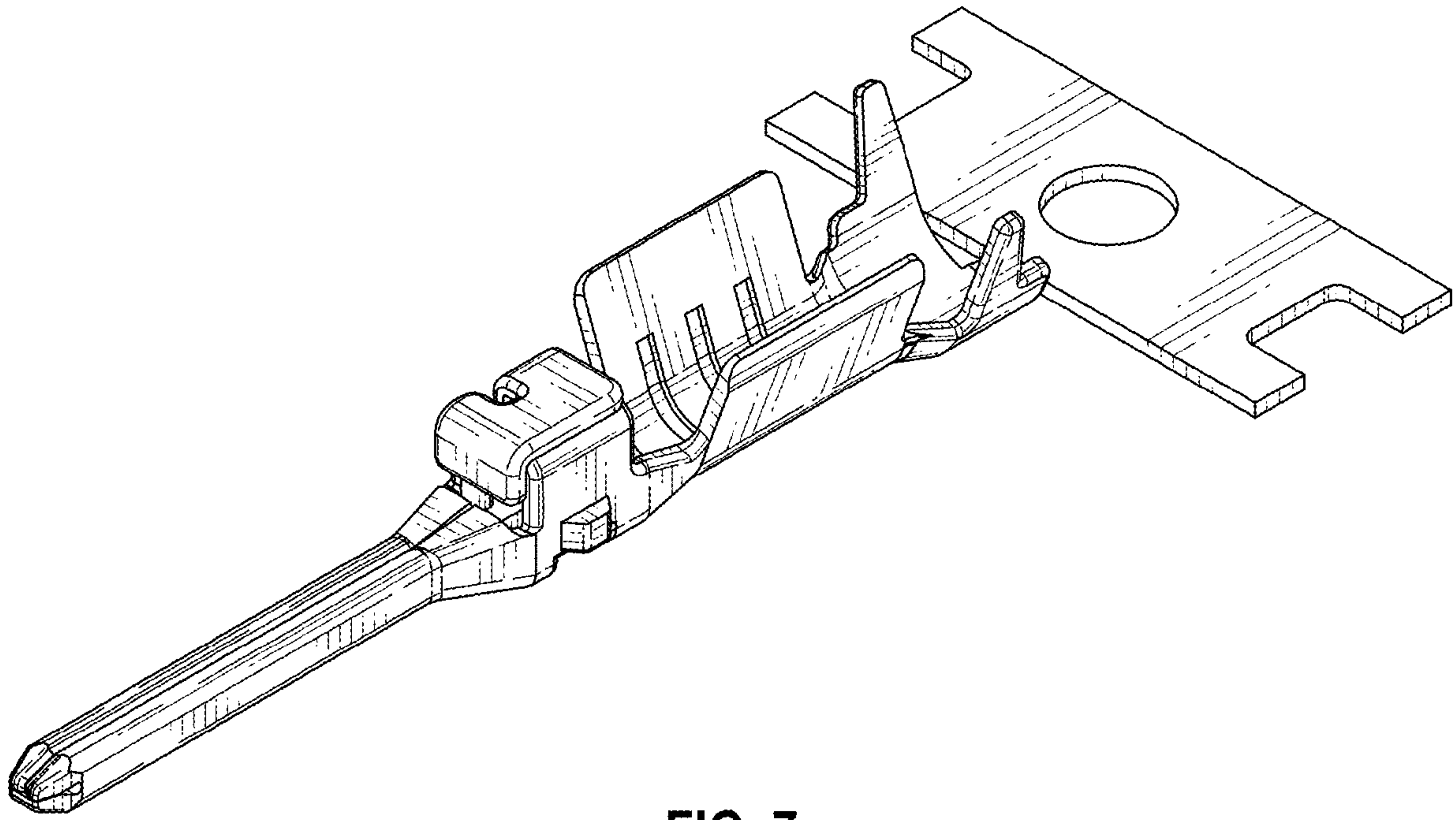


FIG. 7

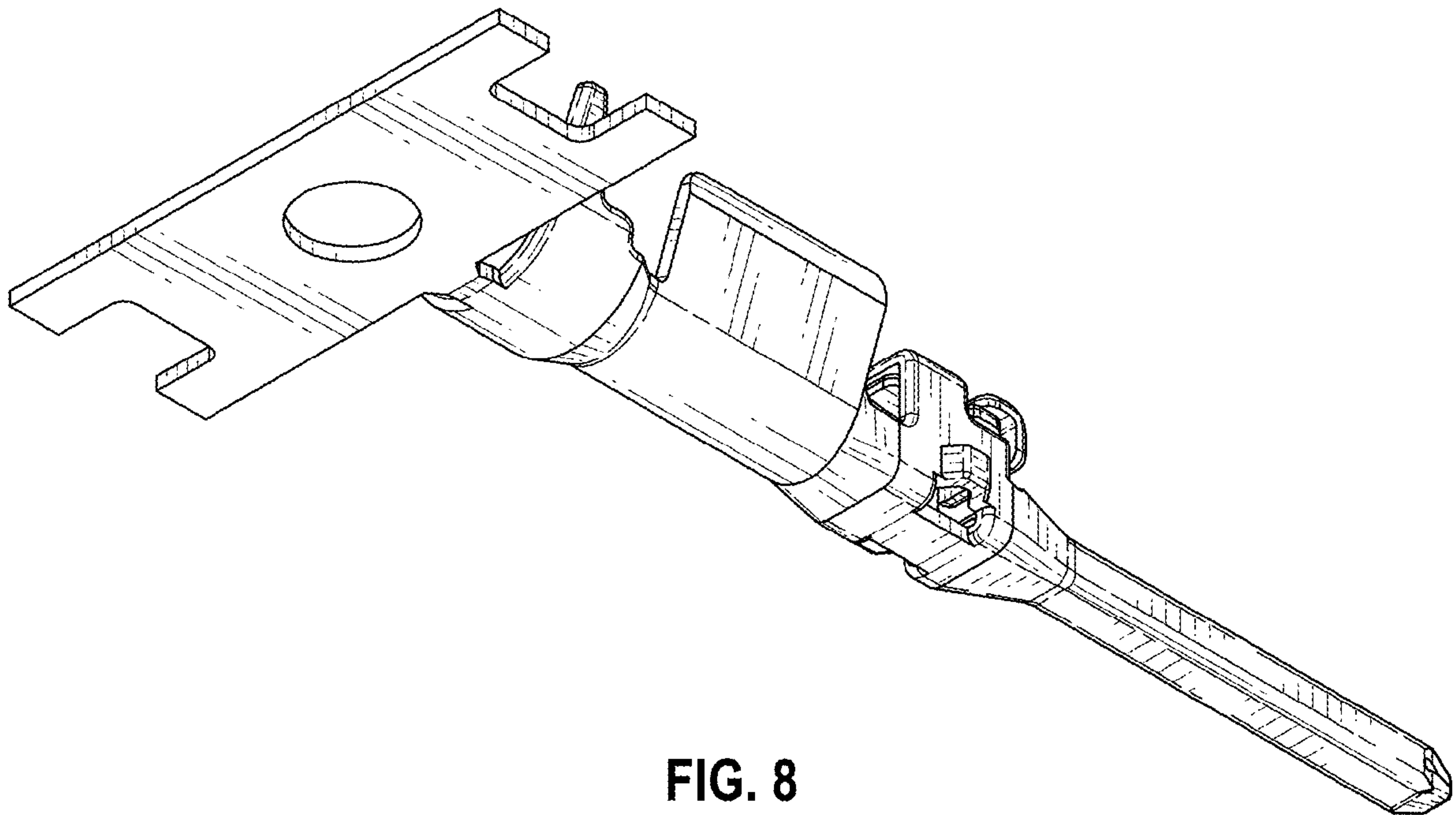


FIG. 8

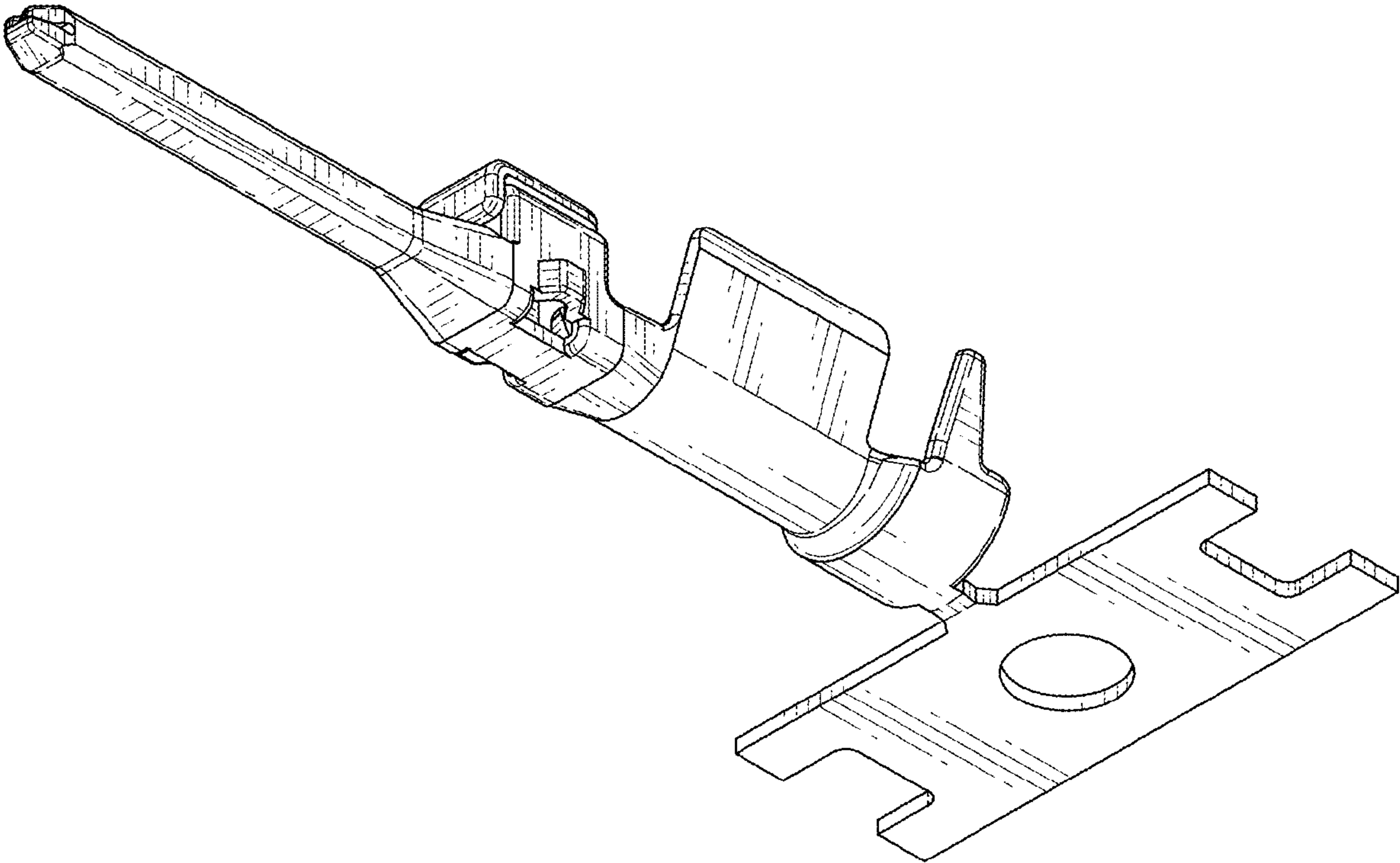


FIG. 9

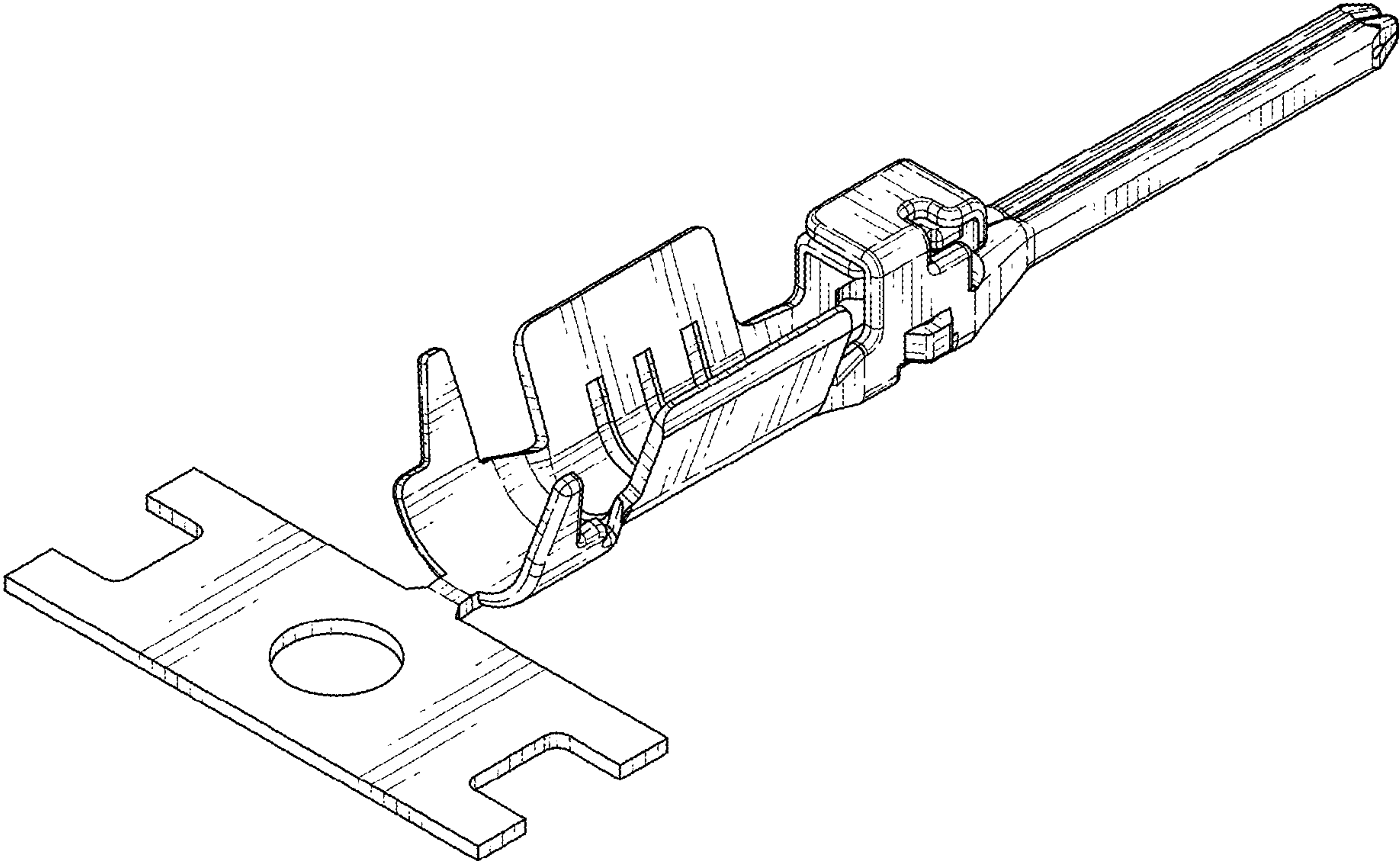


FIG. 10

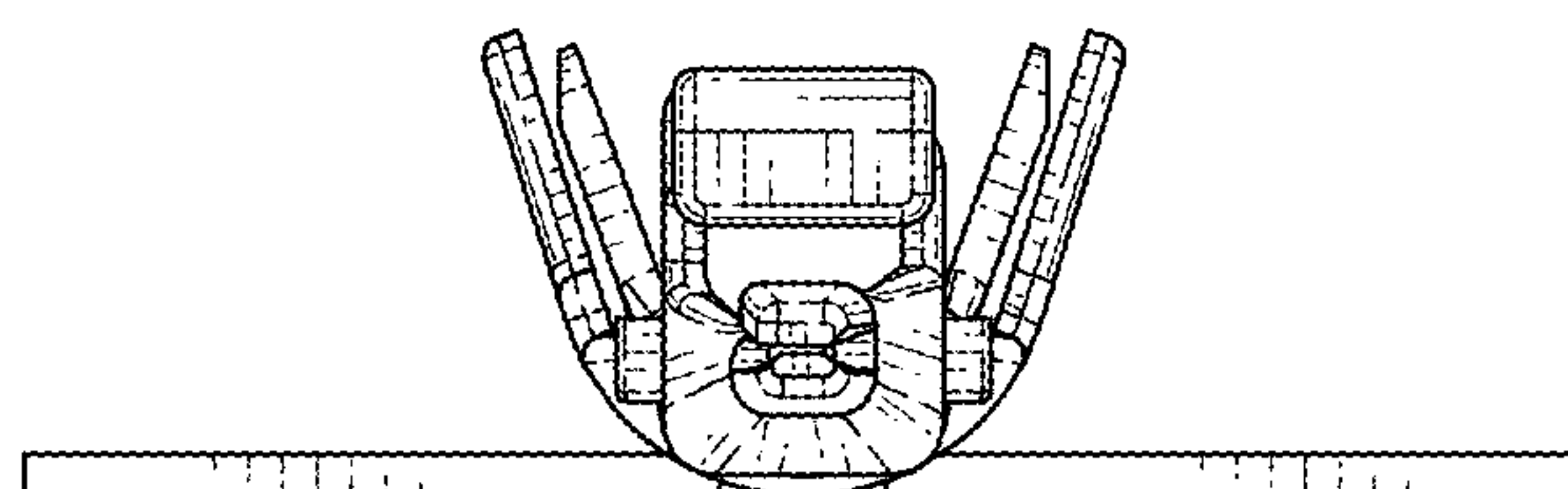


FIG. 11

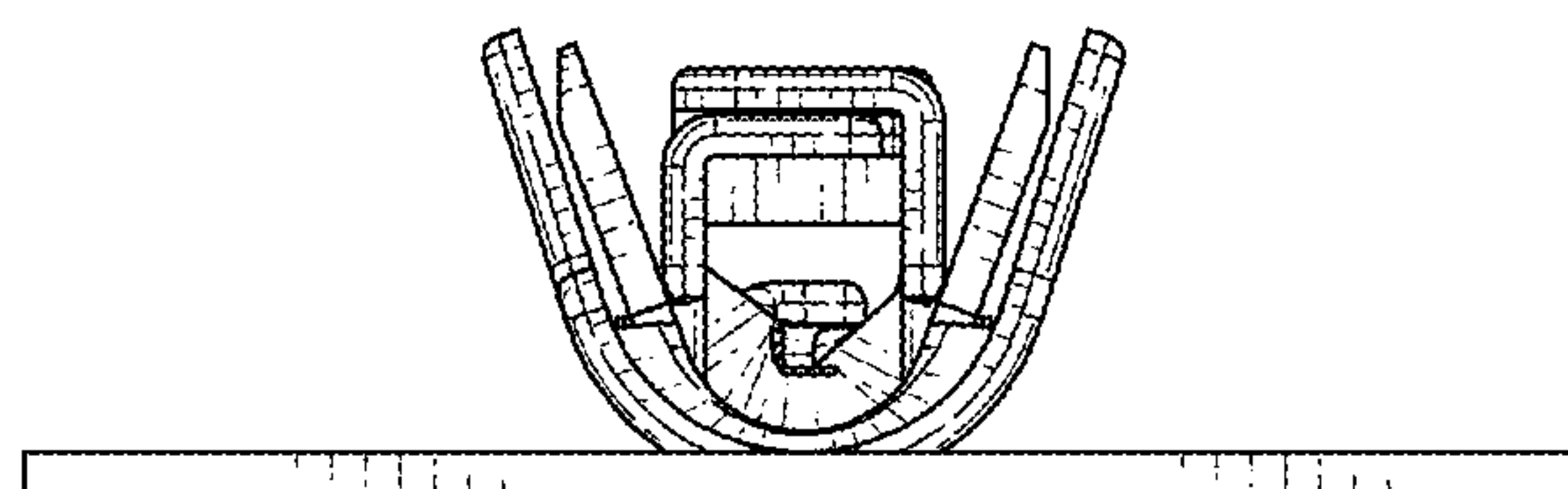


FIG. 12



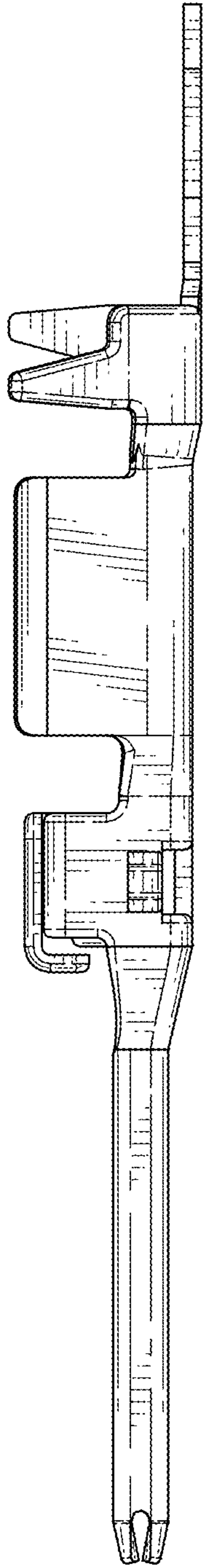


FIG. 13

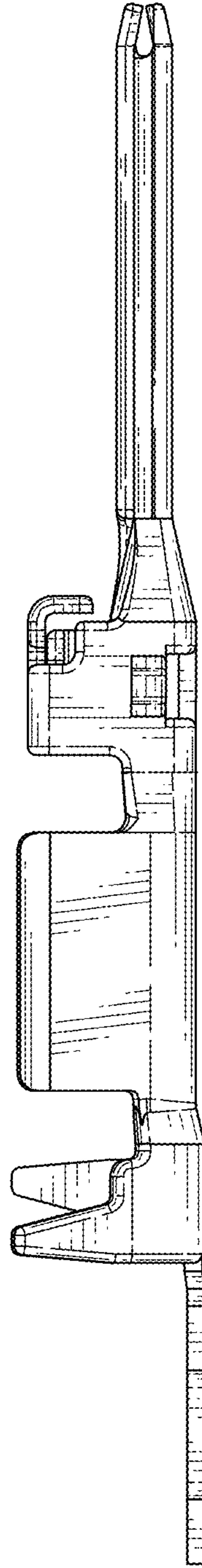


FIG. 14

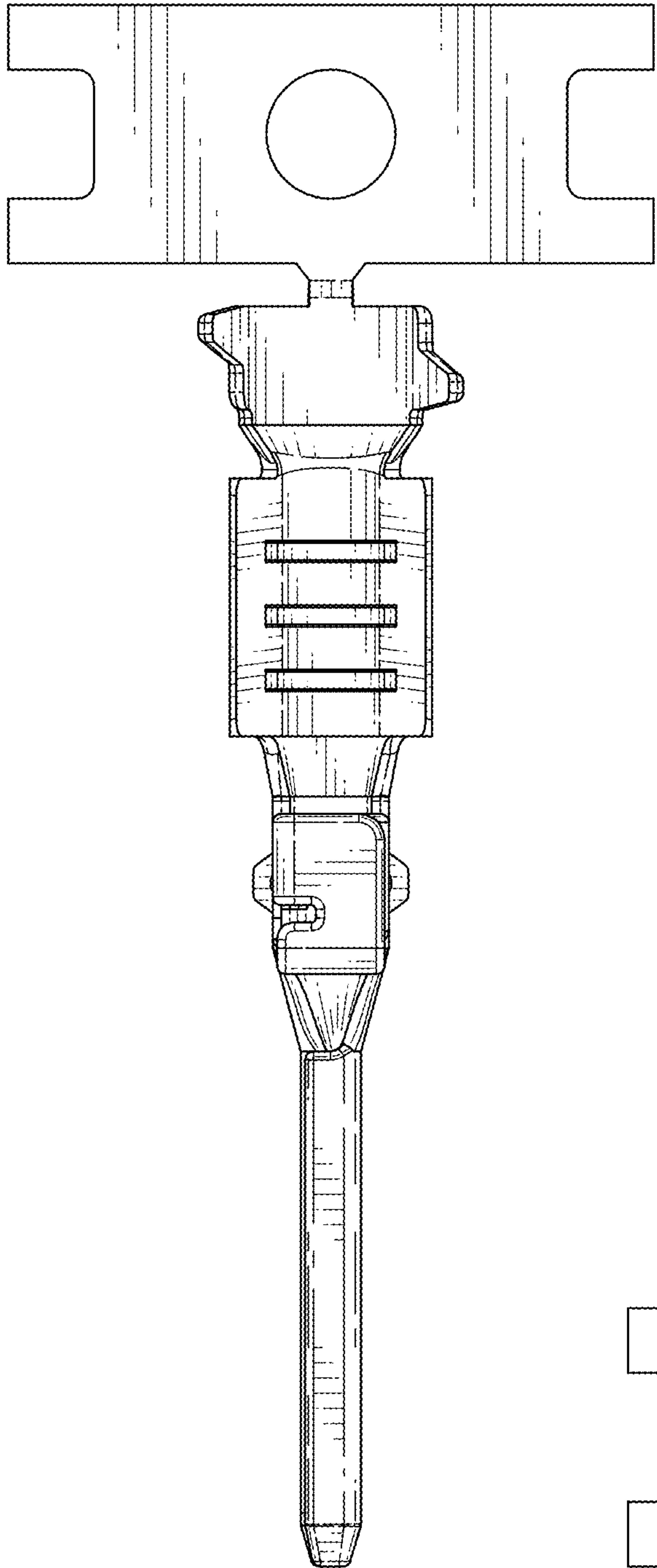


FIG. 15

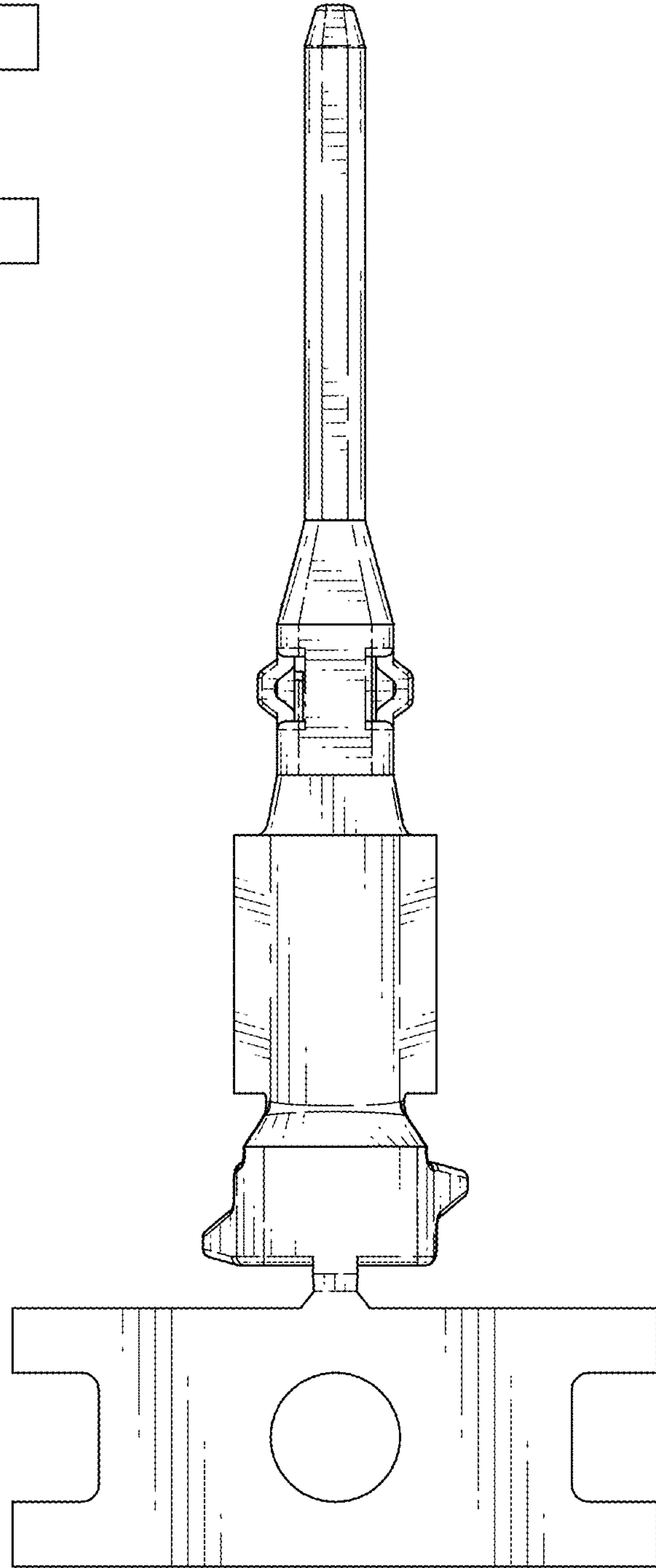


FIG. 16

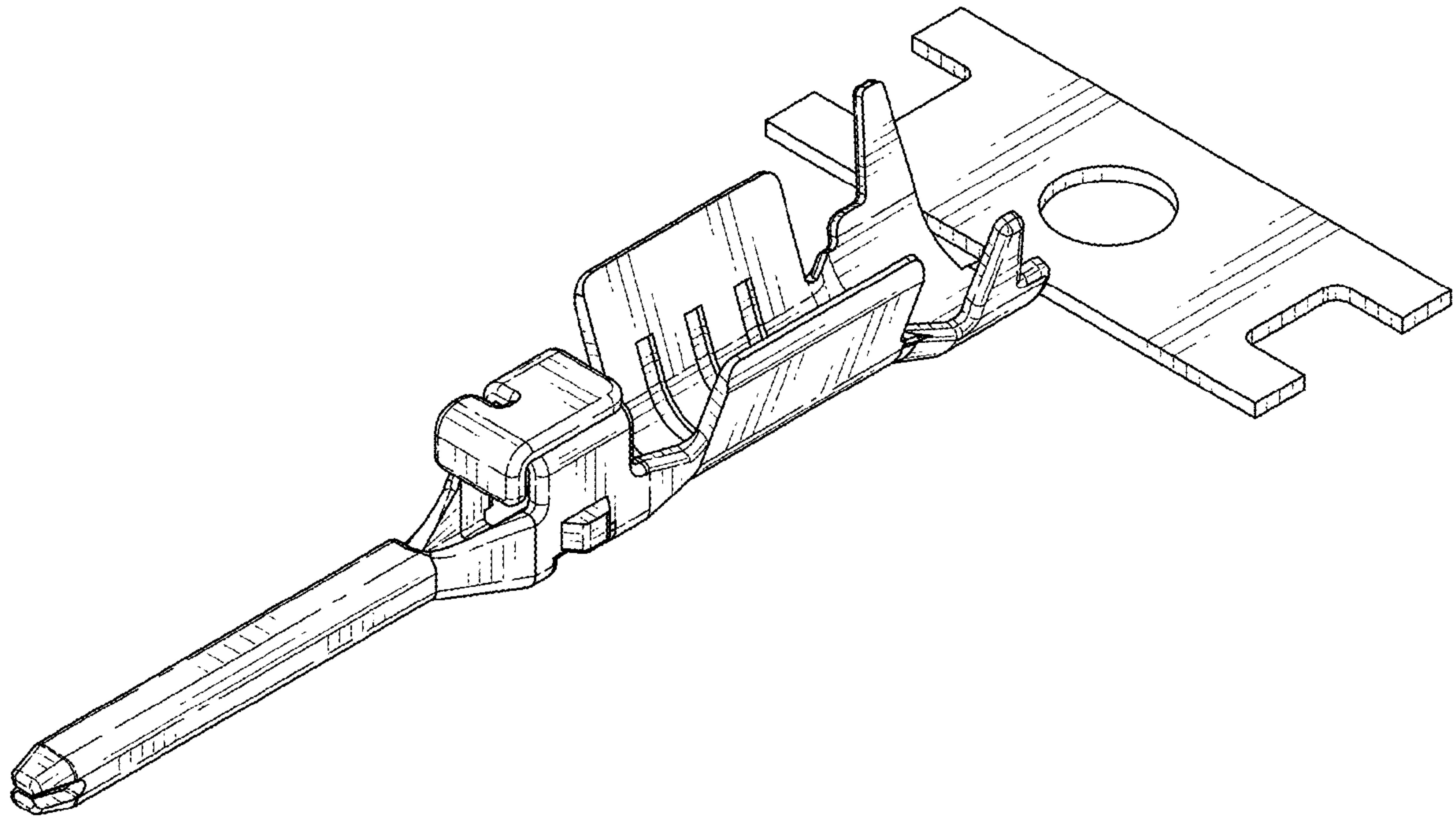


FIG. 17

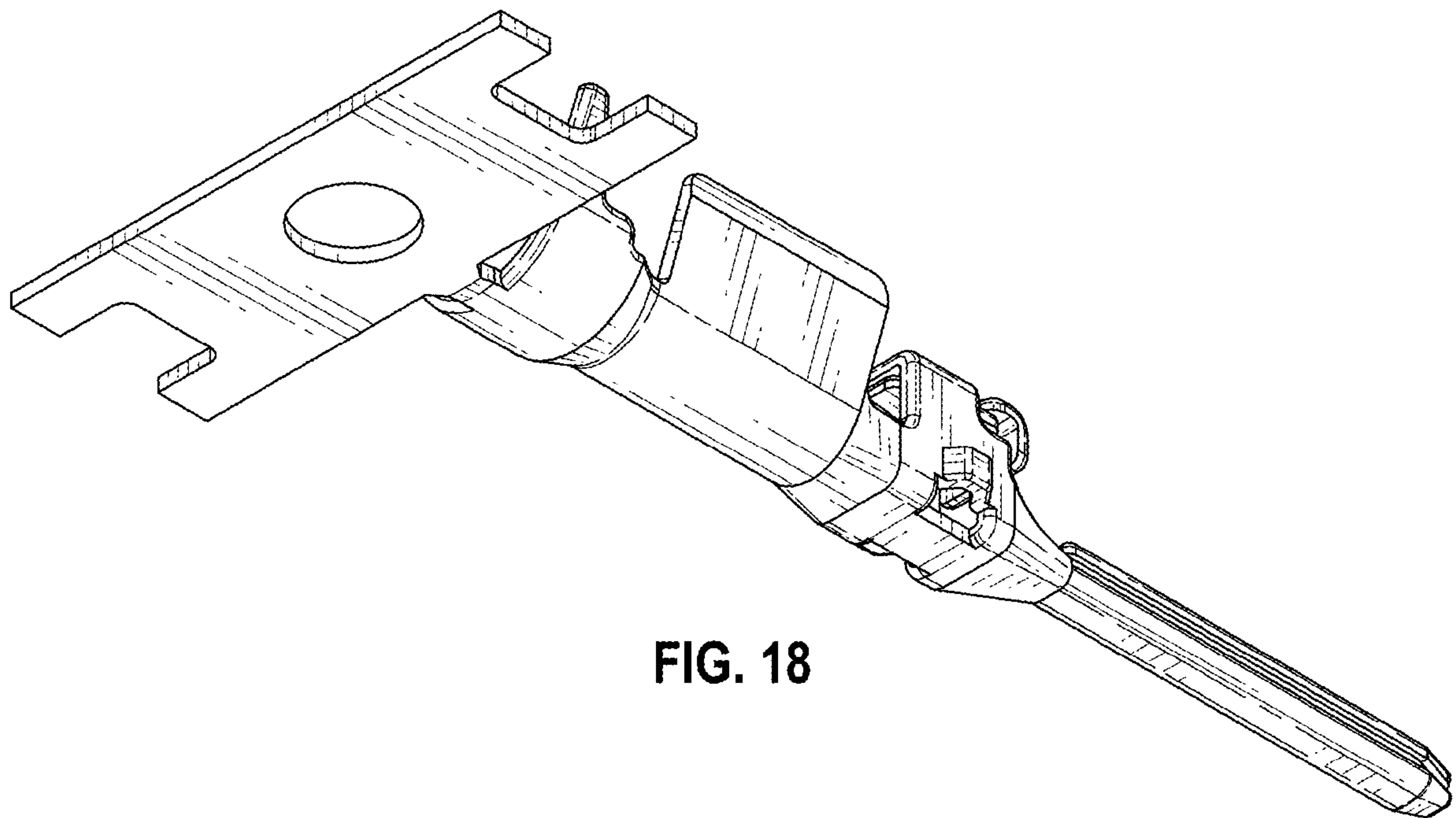


FIG. 18

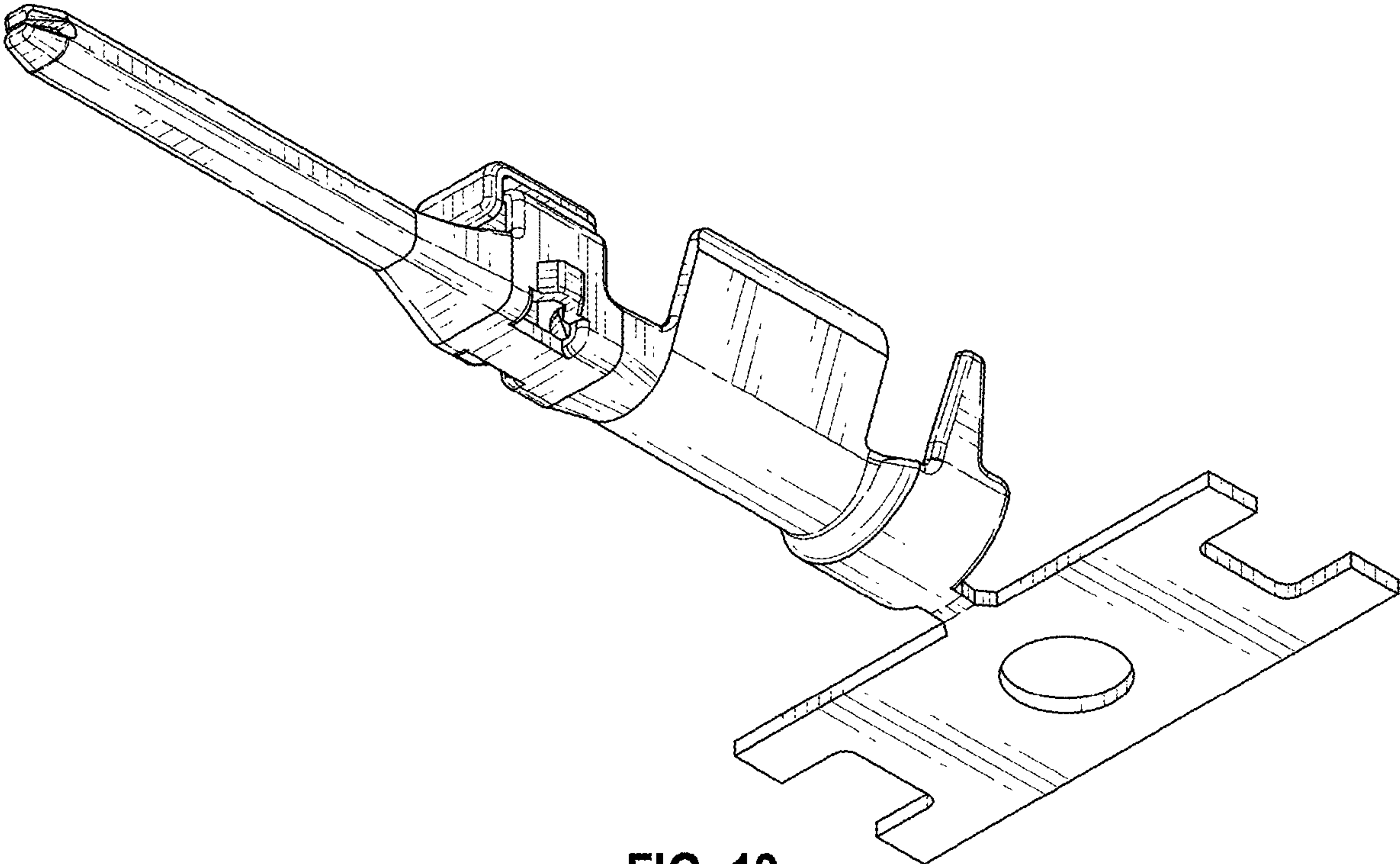


FIG. 19

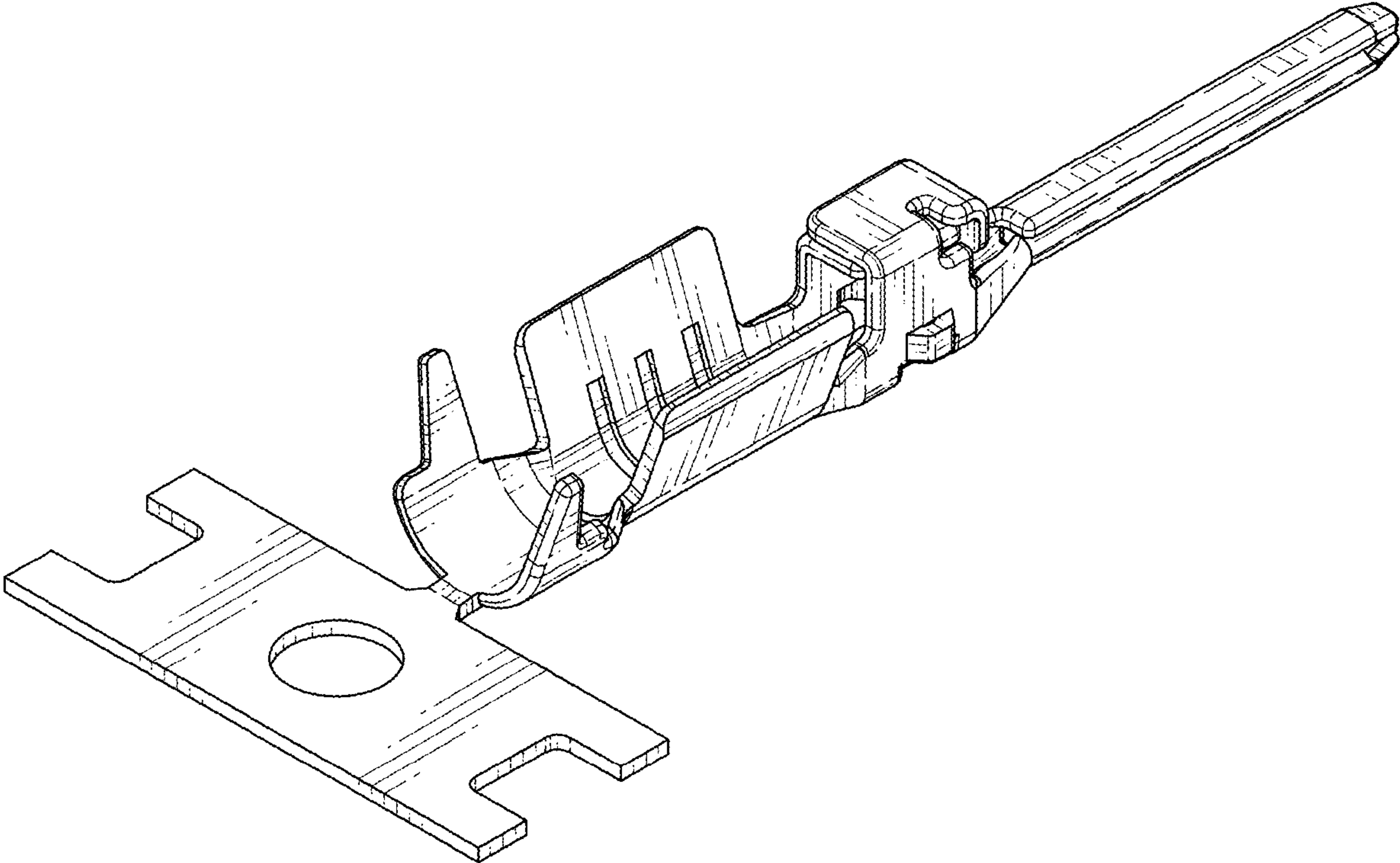


FIG. 20



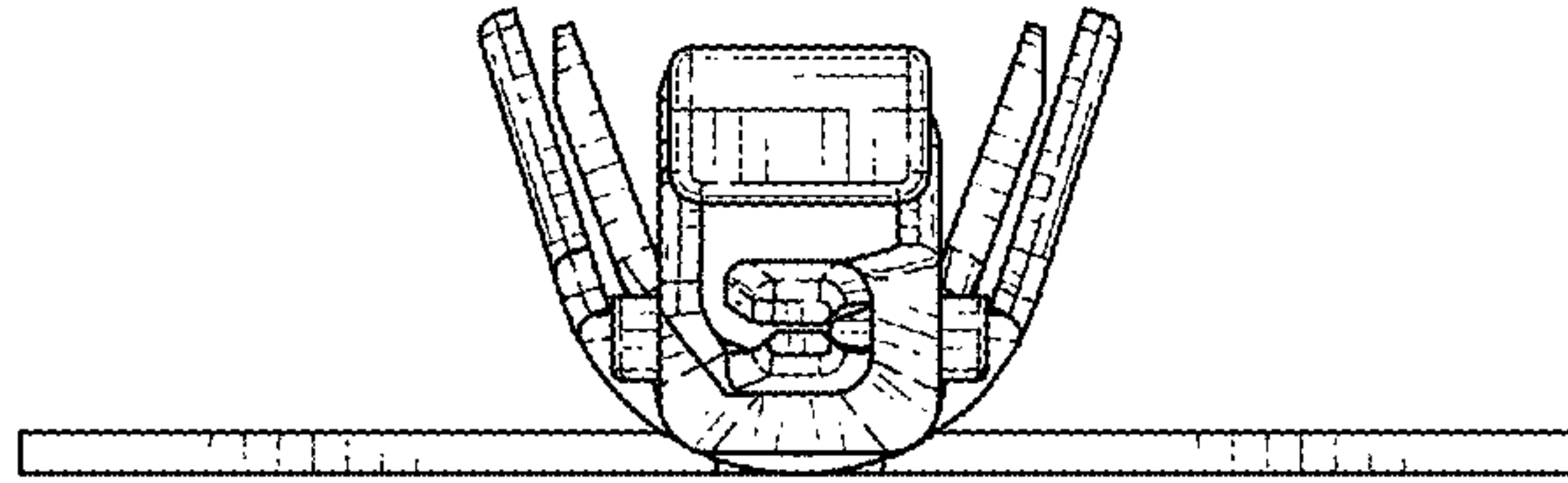


FIG. 21

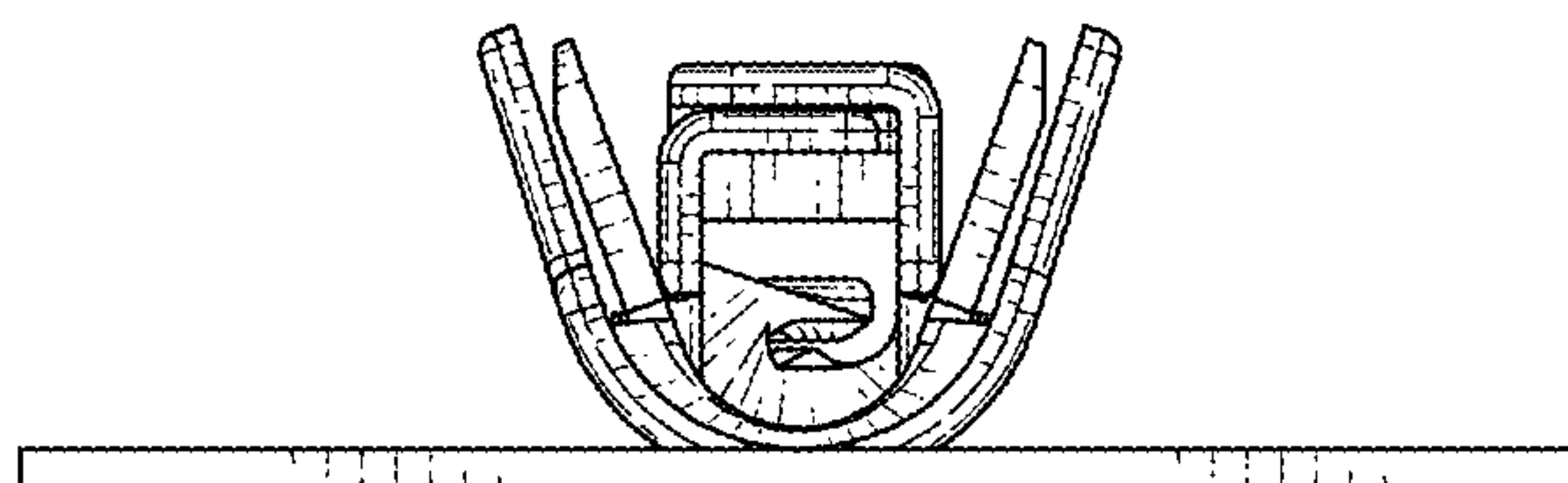


FIG. 22

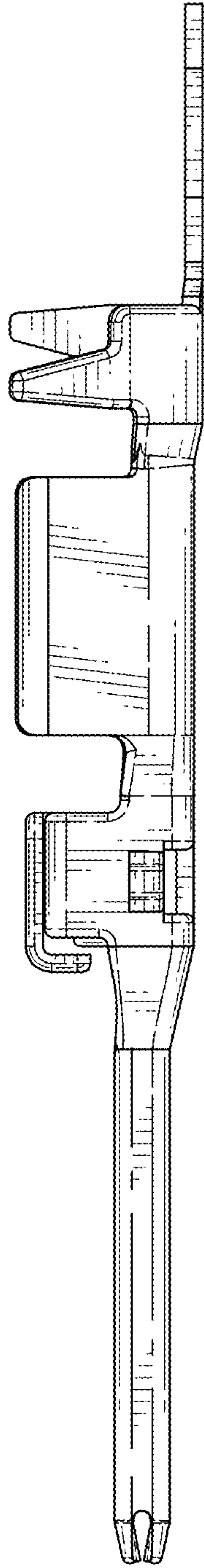


FIG. 23

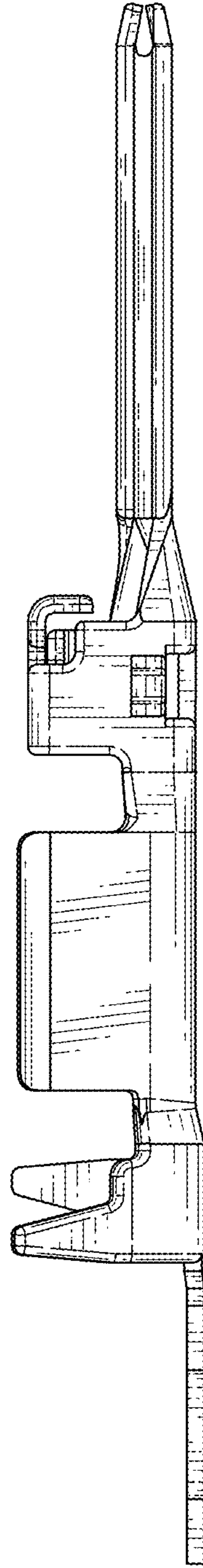


FIG. 24

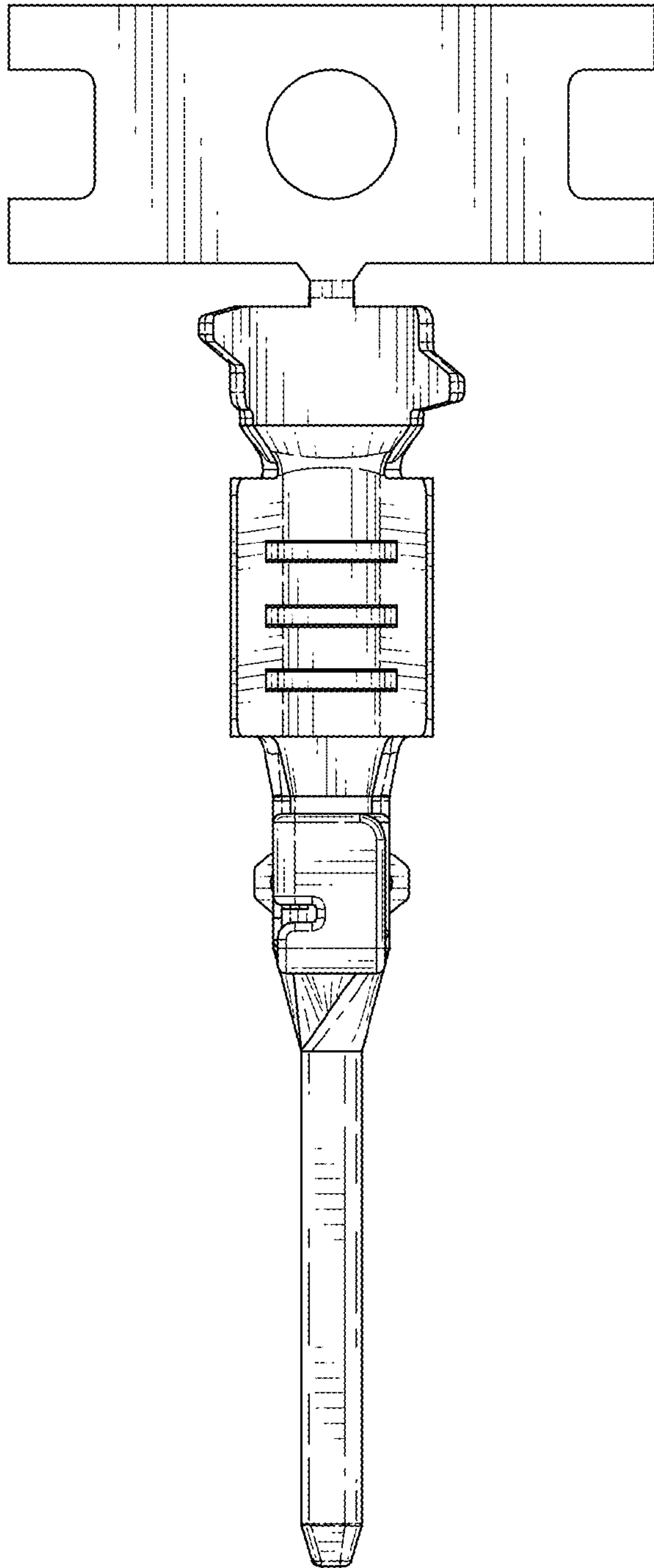


FIG. 25

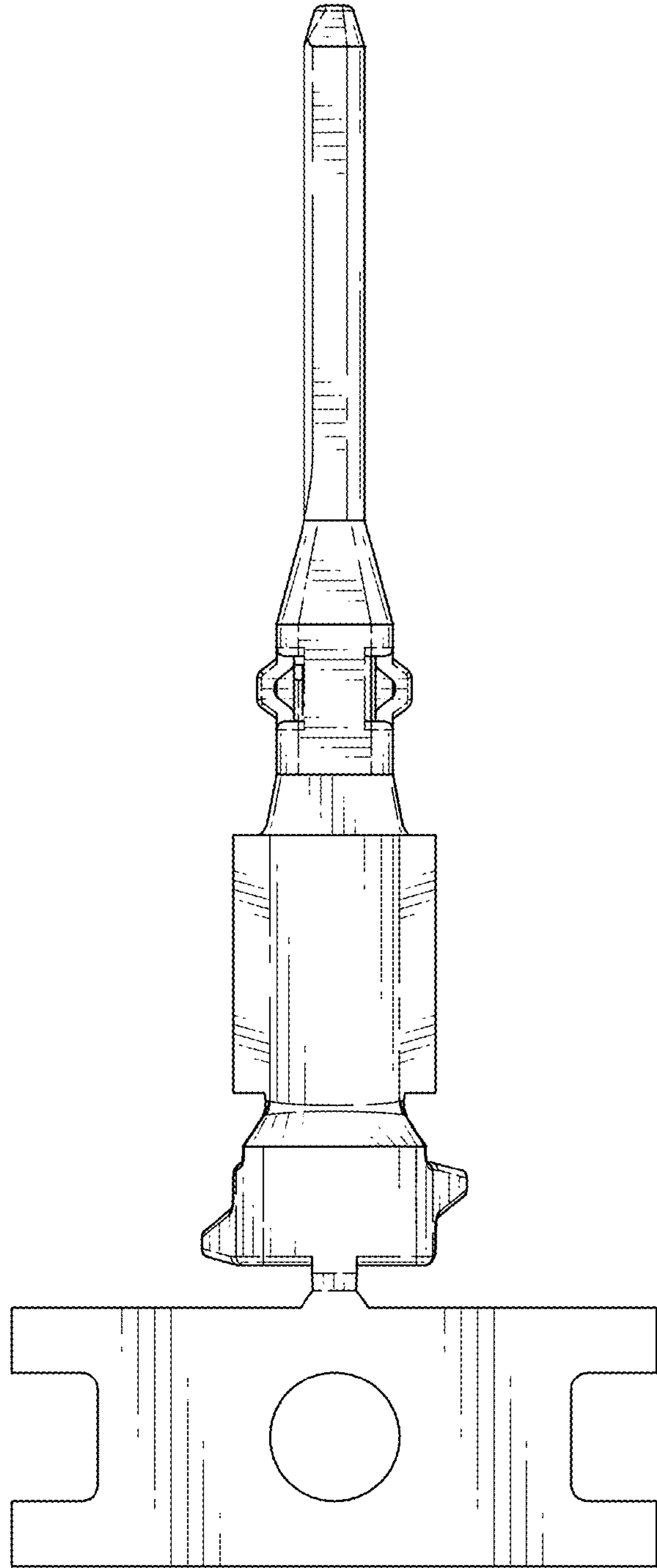


FIG. 26

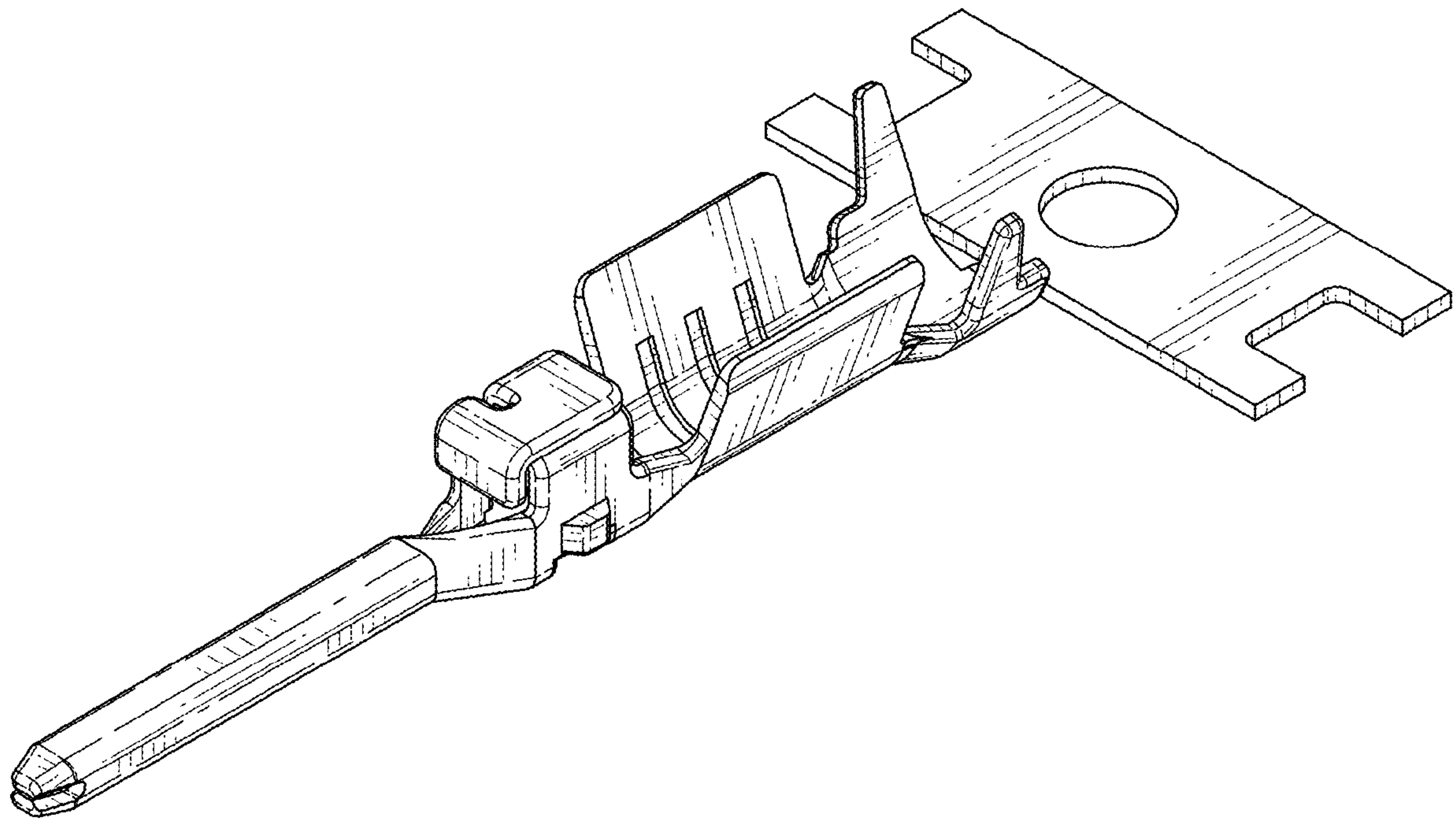


FIG. 27

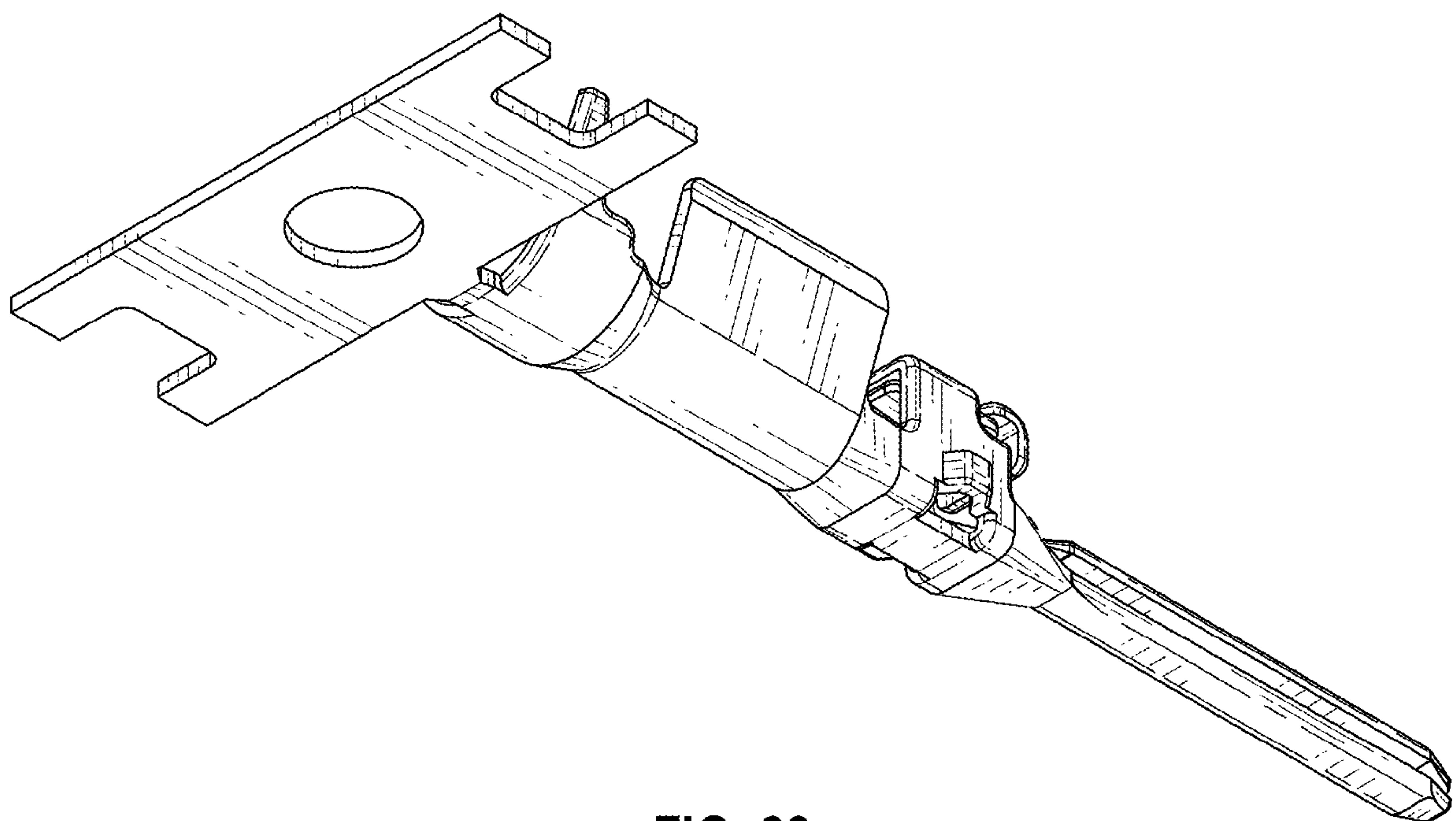


FIG. 28



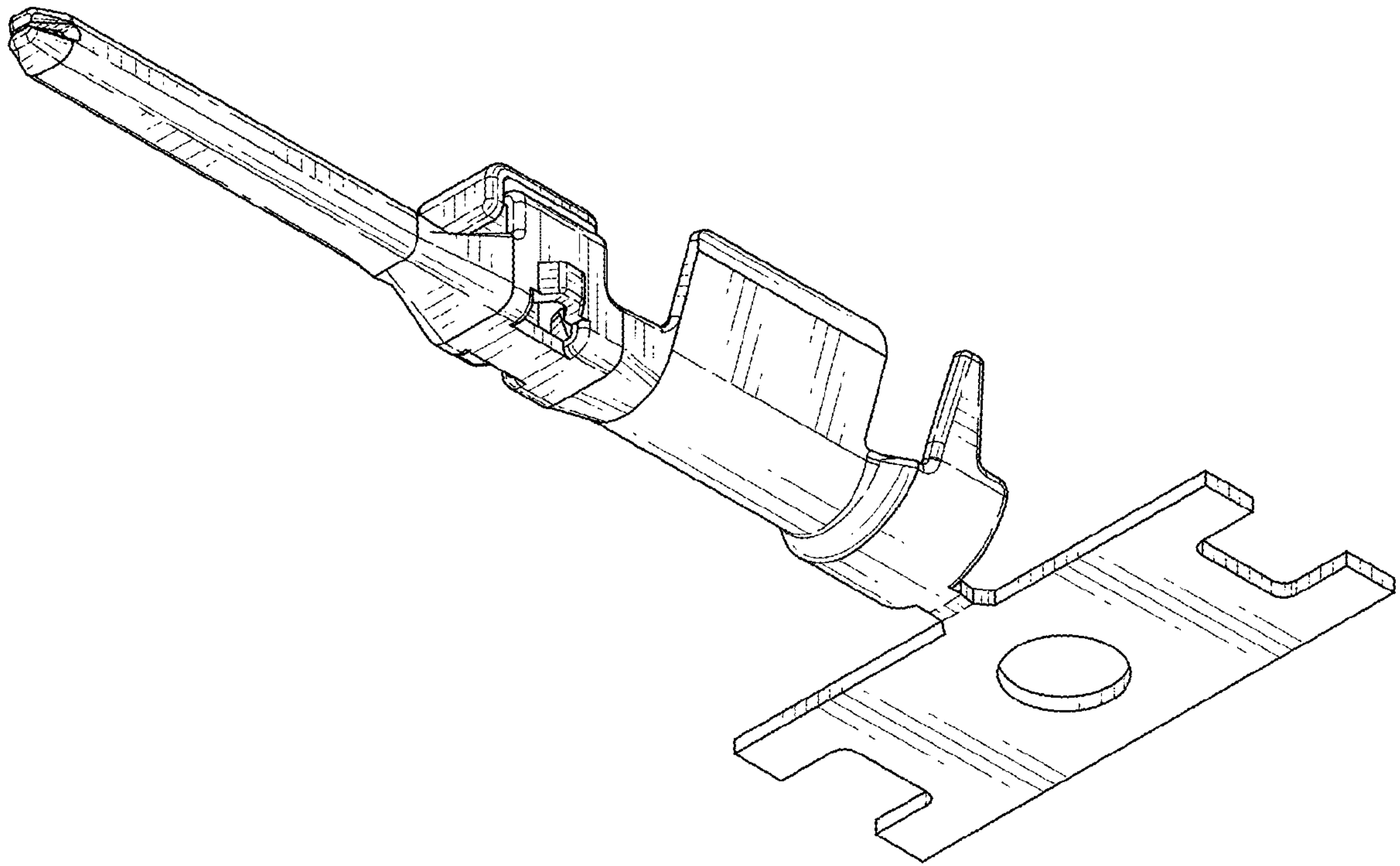


FIG. 29

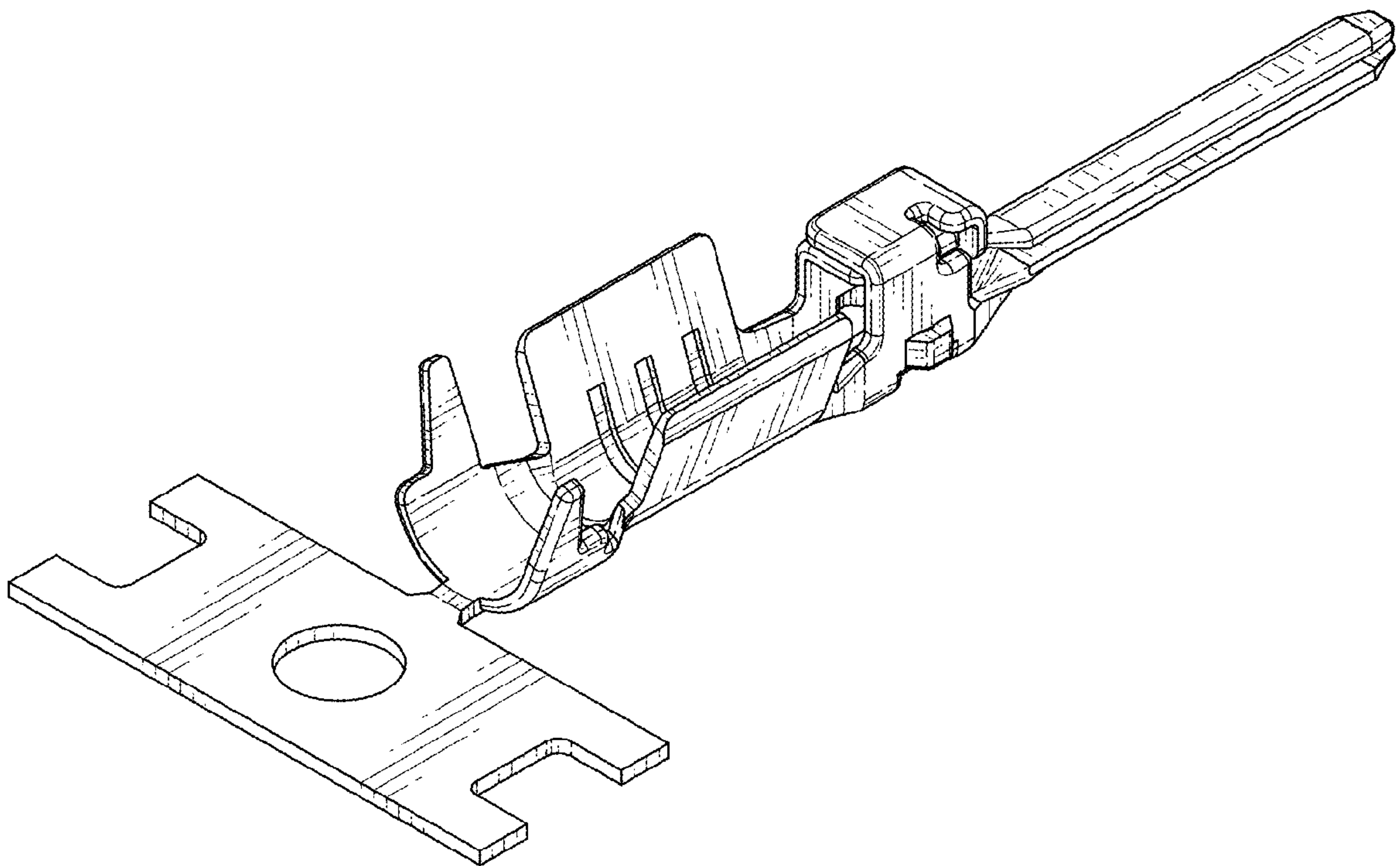


FIG. 30