



US00D911960S

(12) **United States Design Patent**  
**Le et al.**

(10) **Patent No.:** **US D911,960 S**  
(45) **Date of Patent:** **\*\* Mar. 2, 2021**

(54) **PORTABLE TOOL CONTROLLER**  
(71) Applicant: **LURACO, INC.**, Arlington, TX (US)  
(72) Inventors: **Kevin Le**, Richland Hills, TX (US);  
**Tom Le**, Arlington, TX (US); **Abhishek Vinod Vazrekar**, Saginaw, MI (US)  
(73) Assignee: **Luraco, Inc.**, Arlington, TX (US)

D357,684 S \* 4/1995 Moreland ..... D14/240  
6,309,717 B1 \* 10/2001 Qiu ..... B32B 29/00  
138/141  
D520,502 S \* 5/2006 Xu ..... D14/356  
D586,740 S \* 2/2009 Song ..... D13/103  
D590,336 S \* 4/2009 Tatehata ..... D13/103  
D678,191 S \* 3/2013 Fitch ..... D13/108  
D722,018 S \* 2/2015 Wang ..... D13/108  
D743,335 S \* 11/2015 Chang ..... D13/110  
2013/0067861 A1 \* 3/2013 Turner ..... B65D 75/006  
53/428

(\*\*) Term: **15 Years**

\* cited by examiner

(21) Appl. No.: **29/672,317**

*Primary Examiner* — Derrick E Holland

(22) Filed: **Dec. 4, 2018**

(74) *Attorney, Agent, or Firm* — Hoang Steve Ngo

(51) **LOC (13) Cl.** ..... **13-02**

(57) **CLAIM**

(52) **U.S. Cl.**  
USPC ..... **D13/110**

The ornamental design for a portable tool controller, as shown and described.

(58) **Field of Classification Search**  
USPC ..... D13/110, 103, 107, 108, 118, 119, 123,  
D13/133, 137.1, 182, 184, 199; D14/242,  
D14/251, 432, 433, 434, 456; D15/144;  
D9/428, 733, 781  
CPC ..... H01R 31/06; H01R 25/00; H02M 7/003;  
H05K 7/1432  
See application file for complete search history.

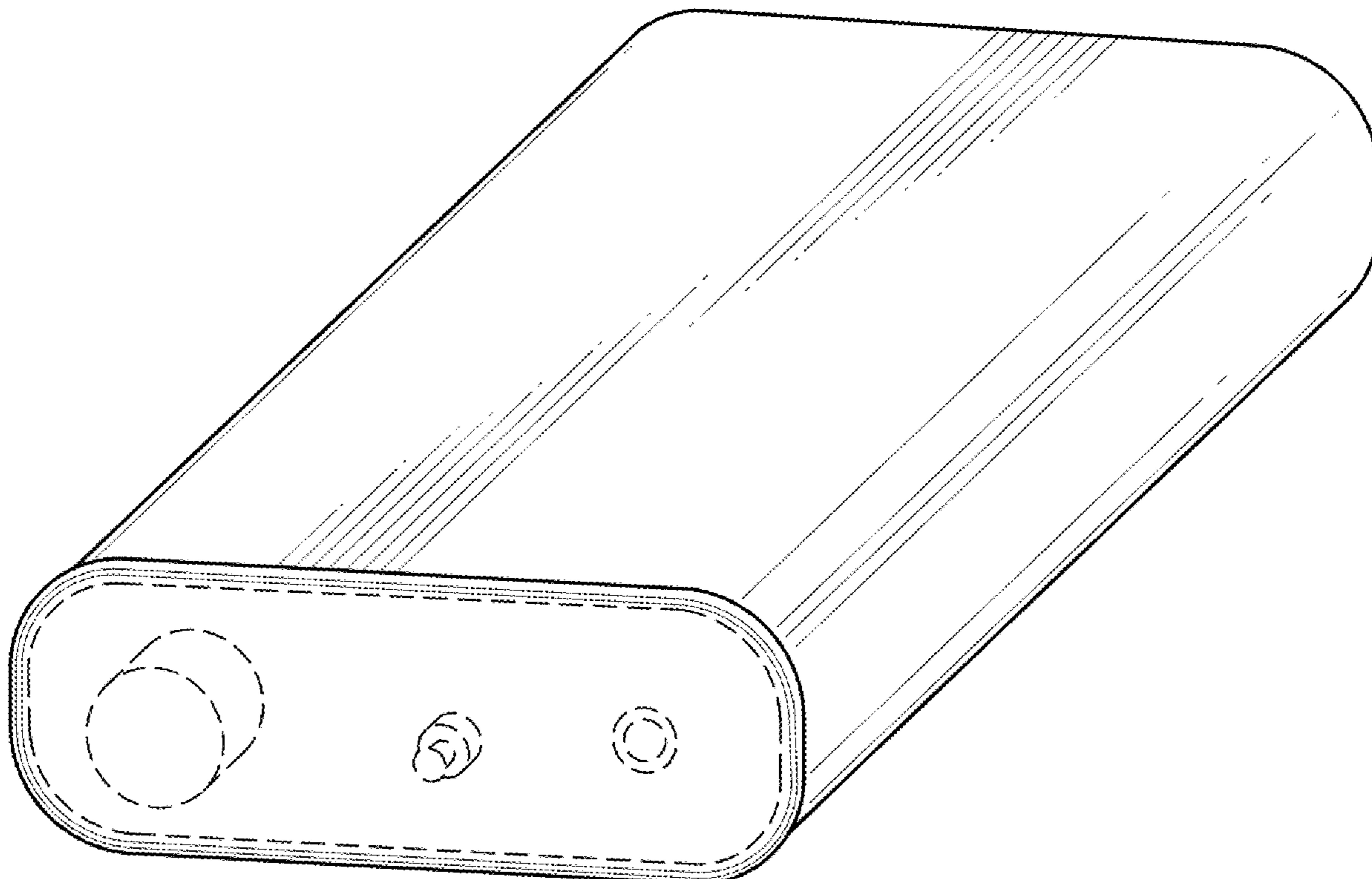
**DESCRIPTION**

FIG. 1 is a front end, top side perspective view of a portable tool controller showing a new design;  
FIG. 2 is a front end view thereof;  
FIG. 3 is a back end view thereof;  
FIG. 4 a top plan view thereof;  
FIG. 5 is a bottom plan view thereof;  
FIG. 6 is a left side elevational view thereof;  
FIG. 7 is a right side elevational view thereof; and,  
FIG. 8 is a front end and bottom perspective view thereof.  
The broken lines shown represent environmental subject matter and form no part of the claimed design.

(56) **References Cited**  
U.S. PATENT DOCUMENTS

D276,495 S \* 11/1984 Sylvia ..... D13/110  
5,179,501 A \* 1/1993 Ocken ..... H05K 1/0278  
174/254

**1 Claim, 8 Drawing Sheets**



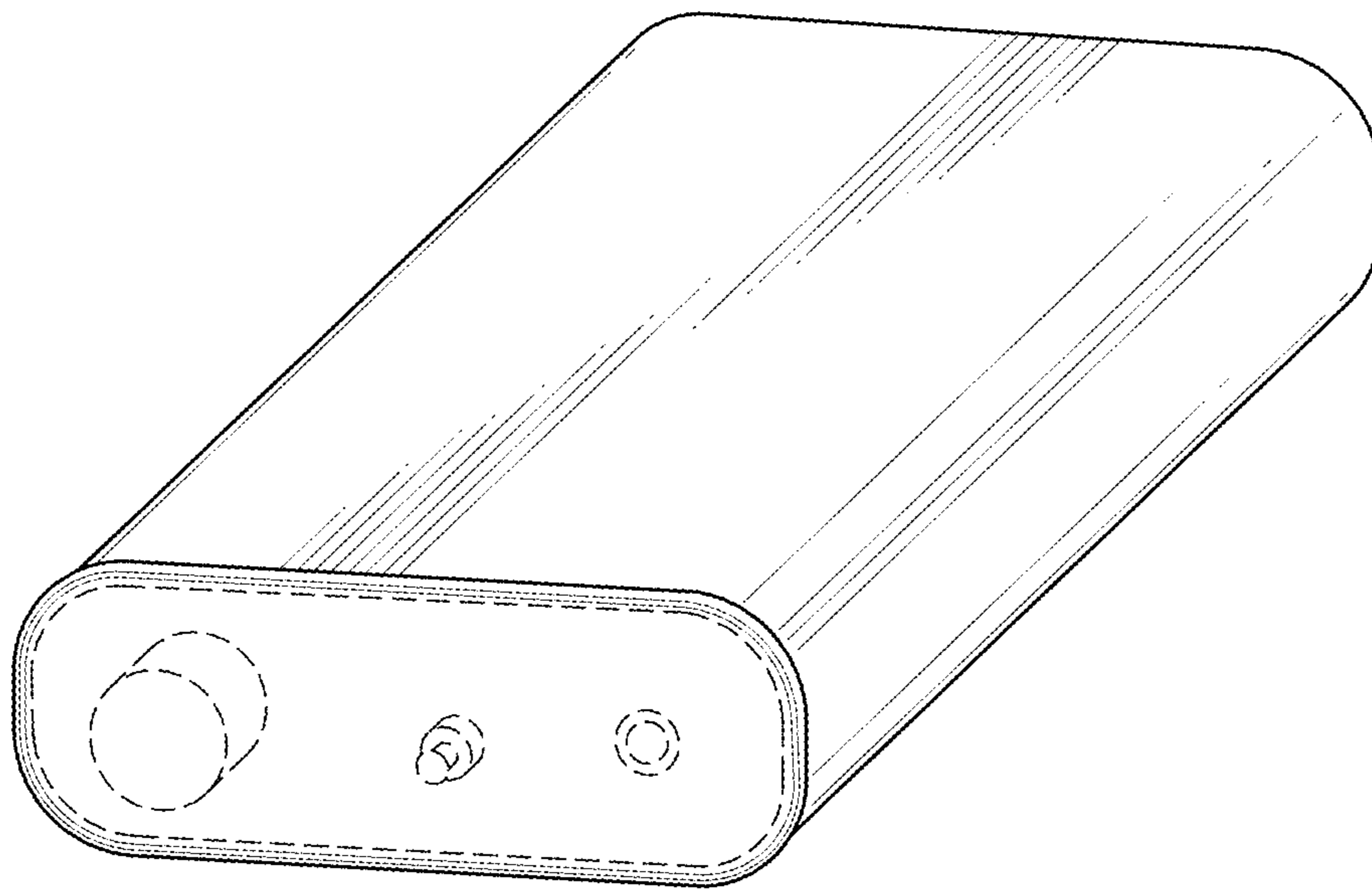


FIG. 1

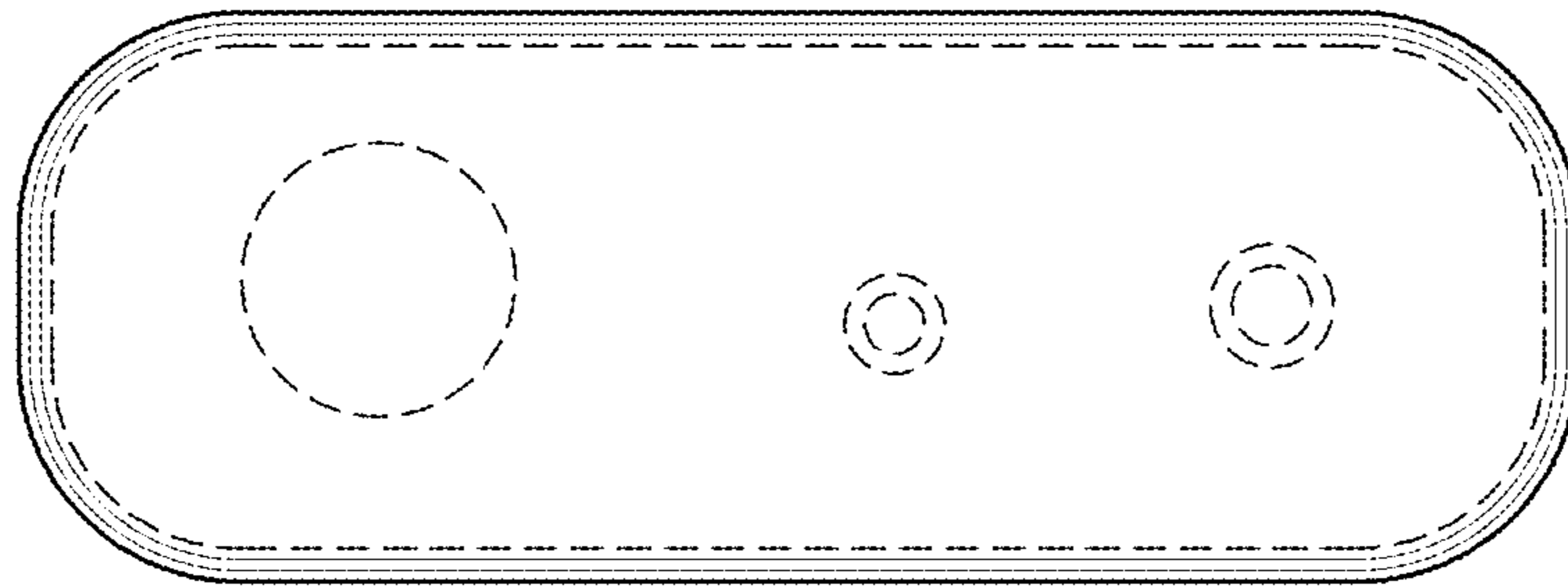


FIG. 2



FIG. 3

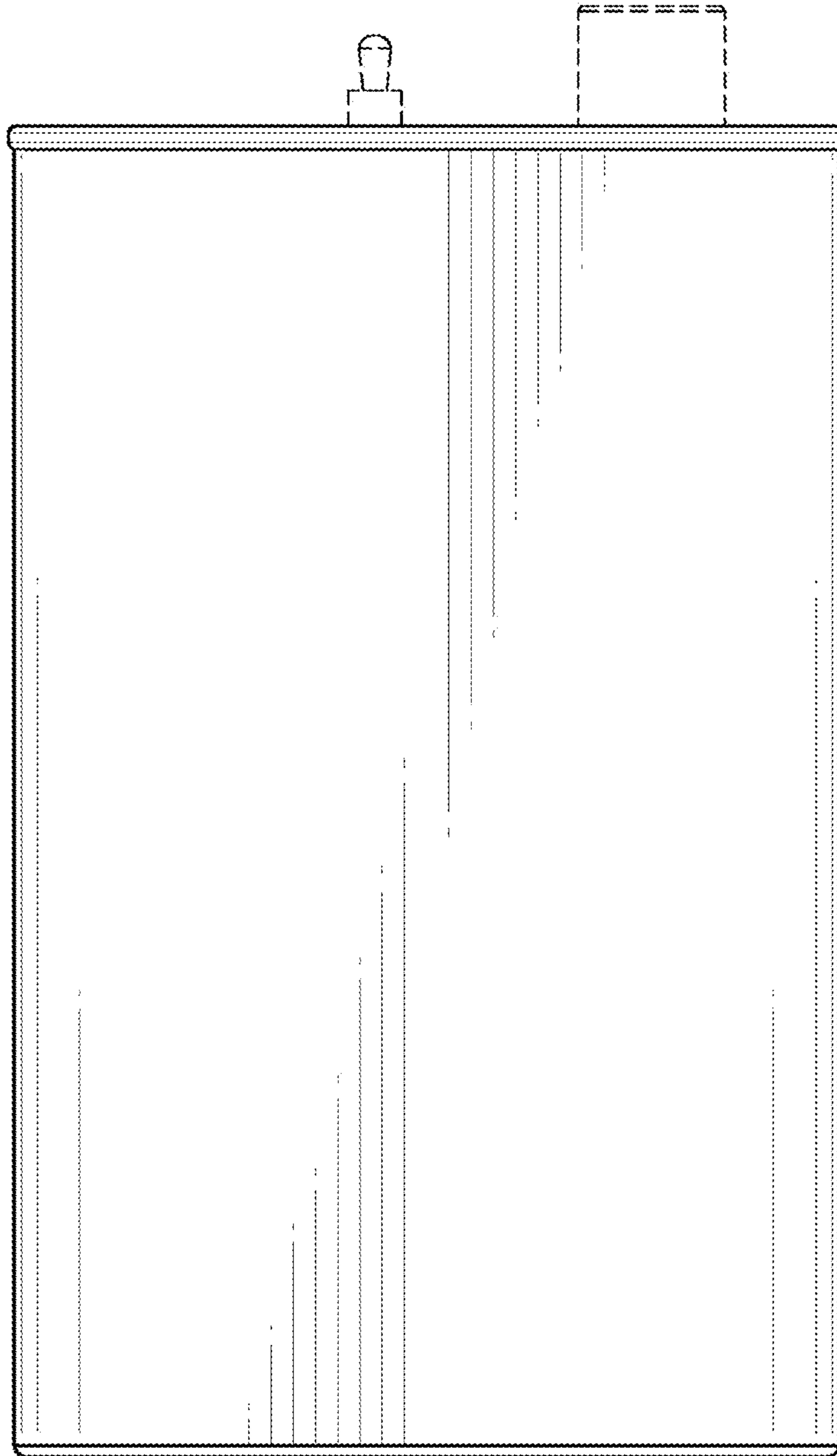


FIG. 4

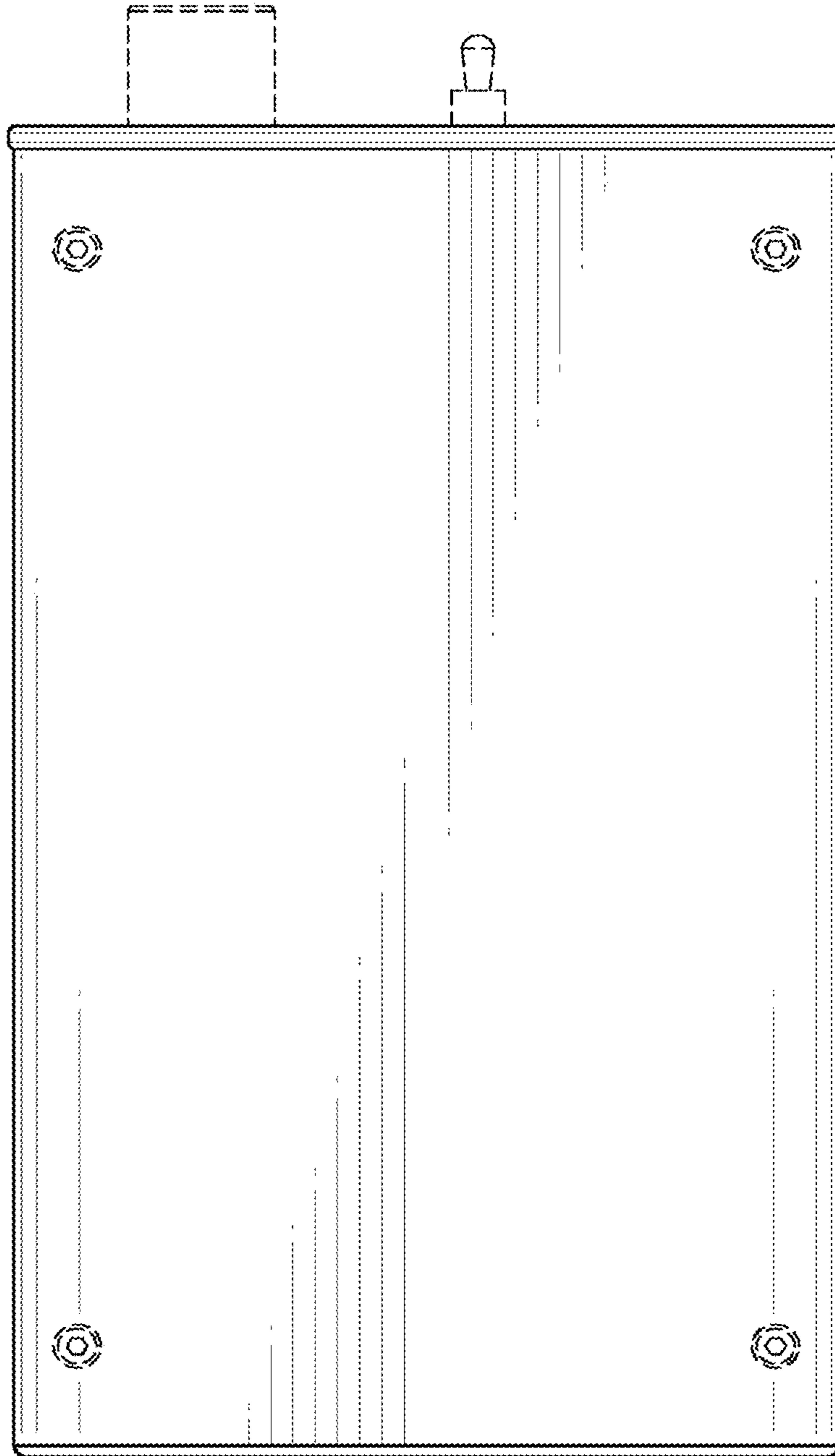


FIG. 5

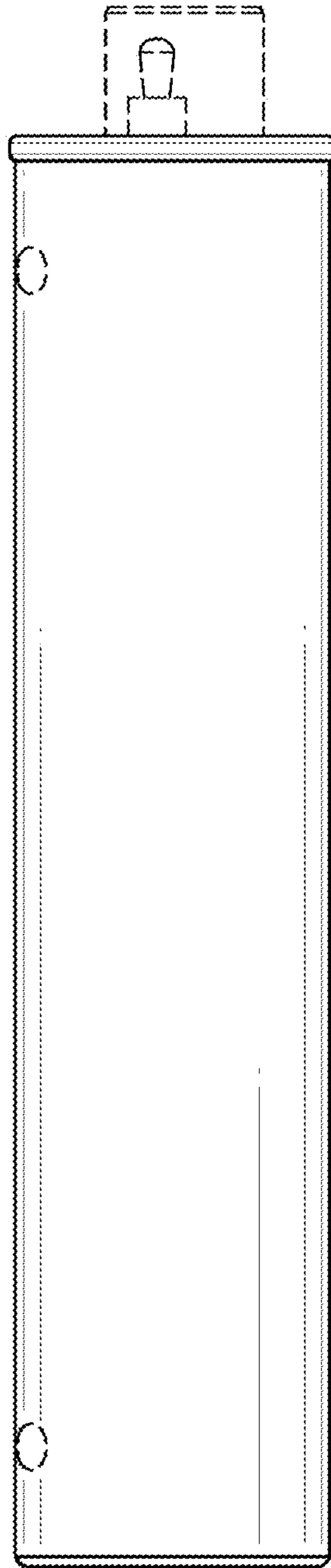


FIG. 6

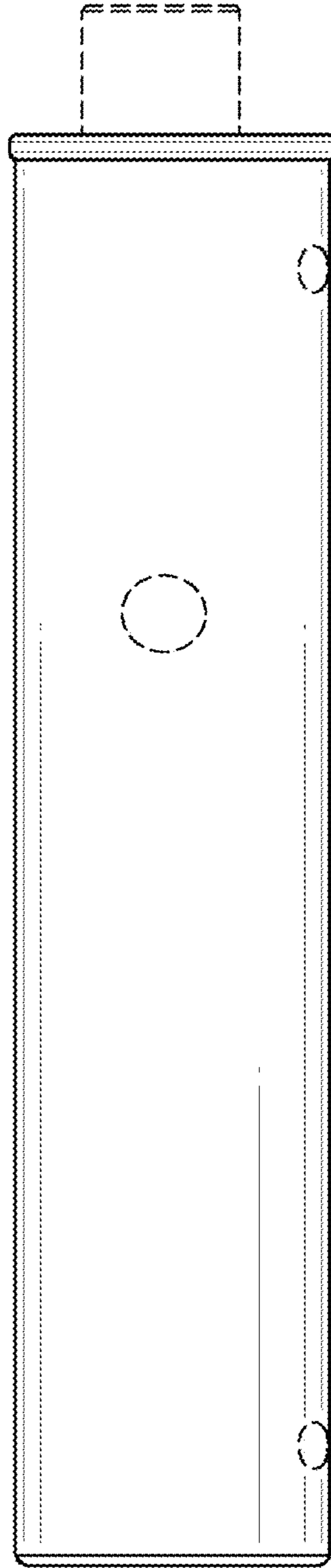


FIG. 7



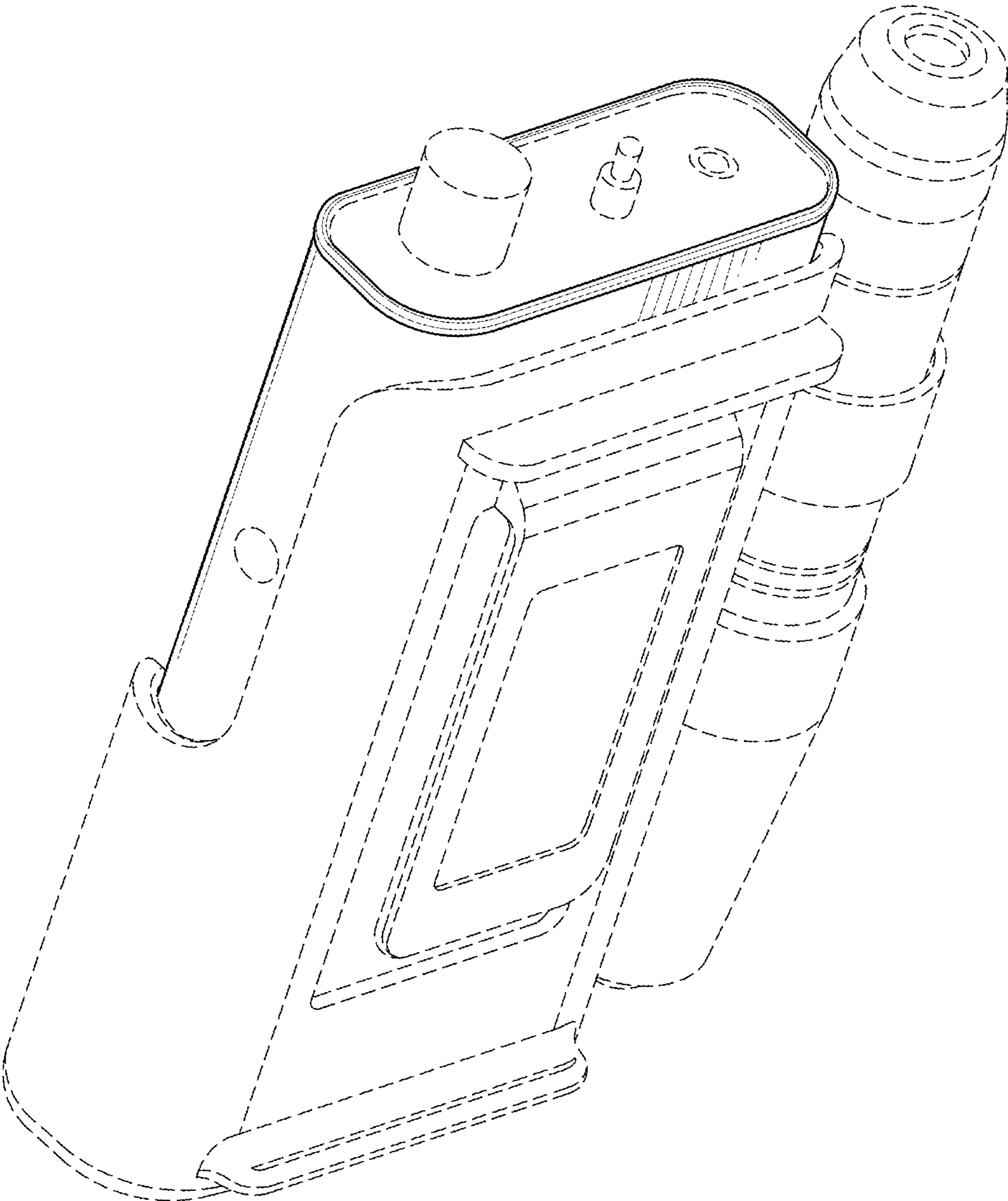


FIG. 8