



US00D911959S

(12) **United States Design Patent** (10) **Patent No.:** **US D911,959 S**  
**Breedlove, Sr.** (45) **Date of Patent:** **\*\* Mar. 2, 2021**

- (54) **OUTDOOR LIGHTING SYSTEM TRANSFORMER**
- (71) Applicant: **Volt, LLC**, Tampa, FL (US)
- (72) Inventor: **Michael Grant Breedlove, Sr.**, Odessa, FL (US)
- (73) Assignee: **Volt, LLC**, Tampa, FL (US)
- (\*\*) Term: **15 Years**
- (21) Appl. No.: **29/641,531**
- (22) Filed: **Mar. 22, 2018**
- (51) **LOC (13) Cl.** ..... **13-10**
- (52) **U.S. Cl.**  
USPC ..... **D13/110**
- (58) **Field of Classification Search**  
USPC ..... D13/101, 110, 112, 122, 184; D14/251, D14/356, 358, 432, 433, 434  
CPC ..... H02M 1/10; H02M 10/46; H02J 13/0096; H02J 7/00; H02J 7/0042; H02J 7/0047; H05K 5/00; H05B 41/14  
See application file for complete search history.

- D681,034 S \* 4/2013 Chen ..... D14/240
- D709,043 S \* 7/2014 Isaacks ..... D13/184
- 8,867,194 B2 10/2014 Woytowitz et al.
- D776,614 S \* 1/2017 Sohnholz ..... D13/110
- D810,061 S \* 2/2018 Lim ..... D14/240
- D835,035 S \* 12/2018 Nauroy ..... D13/108
- D852,741 S \* 7/2019 Trachtenberg ..... D13/110
- D884,629 S \* 5/2020 Zhong ..... D13/110

**OTHER PUBLICATIONS**

“VOLT Landscape Lighting Started Kit 9 Light Hardware” webpage, accessed at <https://www.costco.com/VOLT-Landscape-Lighting-Starter-Kit-9-Light-Hardware.prodcut.100367623.html> on Feb. 15, 2018, all enclosed pages cited.

(Continued)

*Primary Examiner* — Janice Hallmark  
*Assistant Examiner* — Suzanne E Tisdell  
(74) *Attorney, Agent, or Firm* — Nelson Mullins Riley & Scarborough, LLP

(57) **CLAIM**

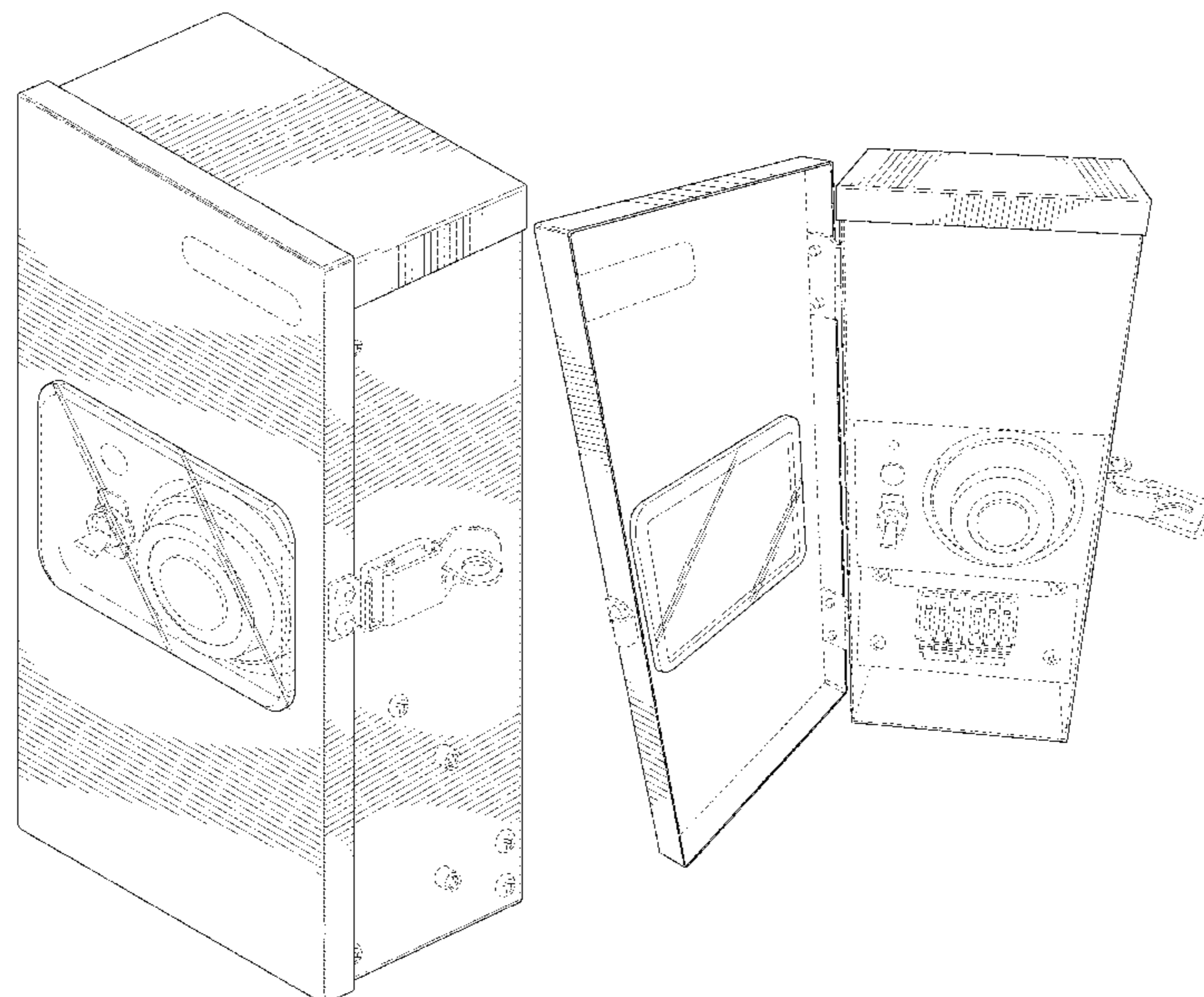
The ornamental design for an outdoor lighting system transformer, as shown and described.

**DESCRIPTION**

FIG. 1 is a perspective view of an outdoor lighting system transformer showing my new design; FIG. 2 is a front side elevational view thereof; FIG. 3 is a back side elevational view thereof; FIG. 4 is a right side elevational view thereof; FIG. 5 is a left side elevational view thereof; FIG. 6 is a top plan view thereof; FIG. 7 is a bottom plan view thereof; and, FIG. 8 is a front perspective view thereof, shown in an alternate configuration. The portions shown in broken lines form no part of the claimed design.

**1 Claim, 7 Drawing Sheets**

- (56) **References Cited**
- U.S. PATENT DOCUMENTS
- 3,225,224 A \* 12/1965 Rydbeck ..... E04H 5/04 307/157
- 5,140,225 A \* 8/1992 Barton ..... H05B 39/00 174/DIG. 2
- D339,323 S \* 9/1993 Burgher ..... D13/110
- D341,836 S \* 11/1993 O'Connor ..... D14/251
- 6,160,353 A 12/2000 Mancuso
- D472,211 S \* 3/2003 Tsergas ..... D13/122
- 6,911,777 B1 \* 6/2005 Mitsch ..... H01F 38/14 315/70
- D560,607 S \* 1/2008 Suematsu ..... D13/110
- D627,725 S \* 11/2010 Gebert ..... D13/110
- D659,694 S \* 5/2012 Sumita ..... D14/356



(56)

**References Cited**

OTHER PUBLICATIONS

“VOLT Low Voltage Transformers Slim Line Transformers VTR-100SL” product specifications, copyright 2017, all enclosed pages cited.

Co-pending design U.S. Appl. No. 29/641,532, filed Mar. 22, 2018, all enclosed pages cited.

\* cited by examiner

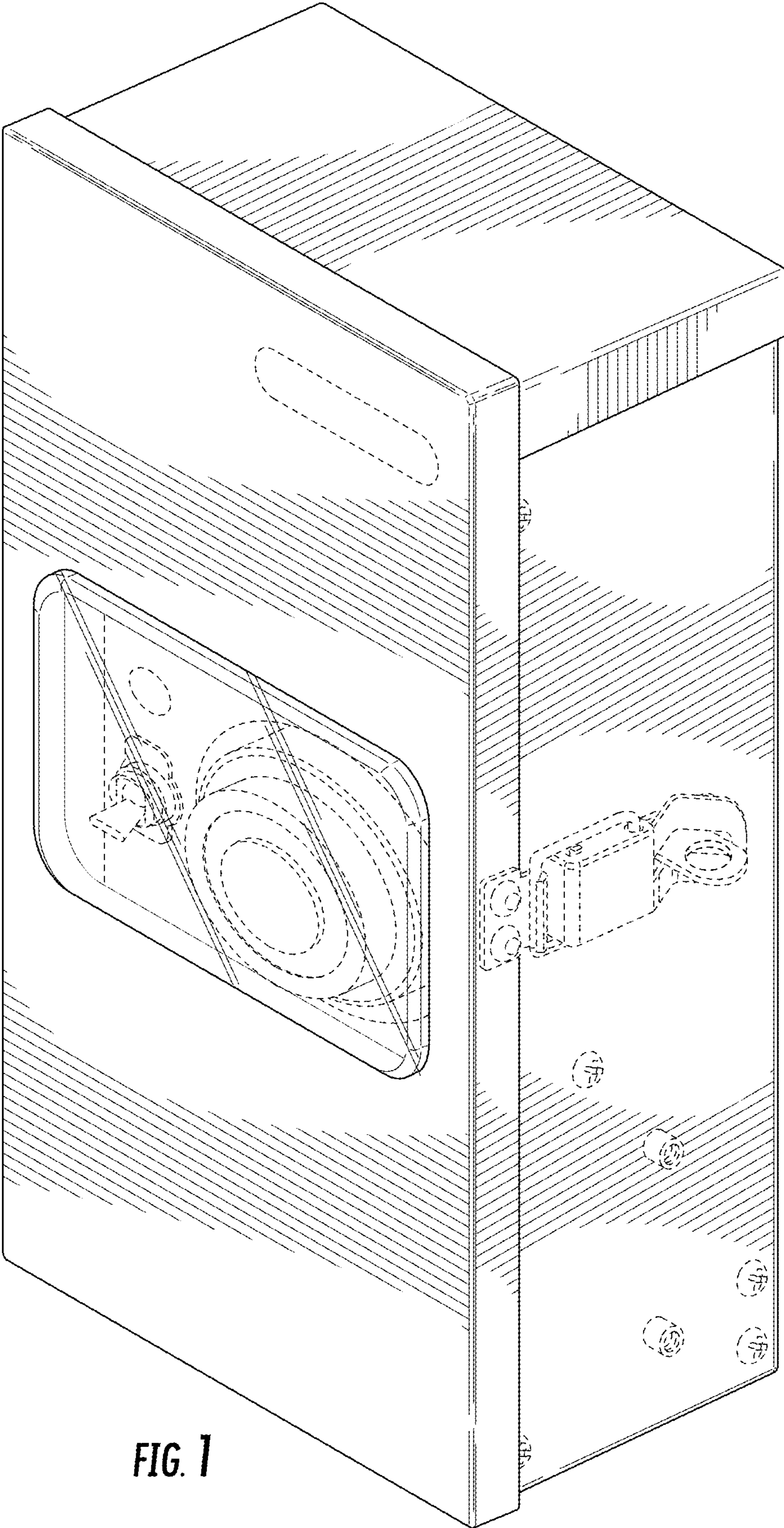


FIG. 1

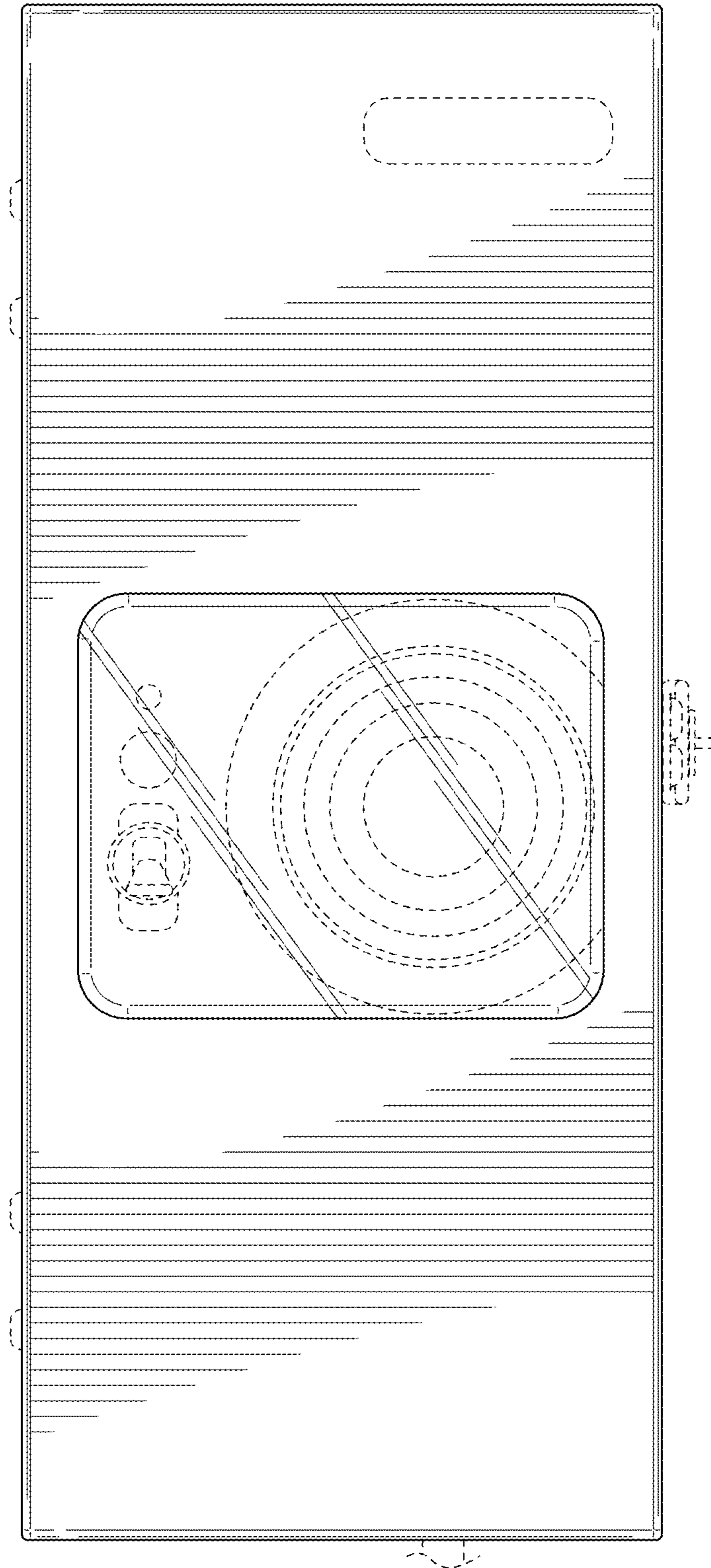


FIG. 2

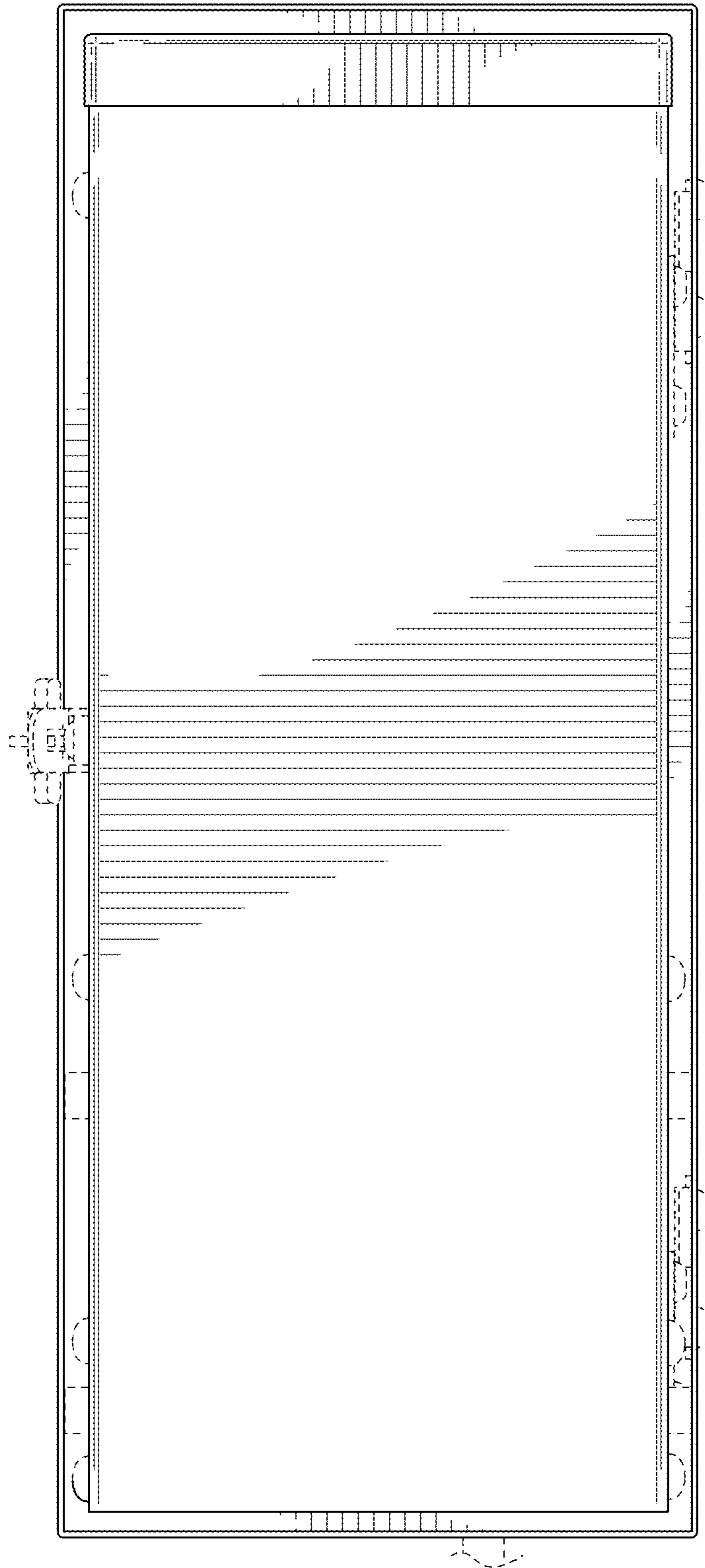
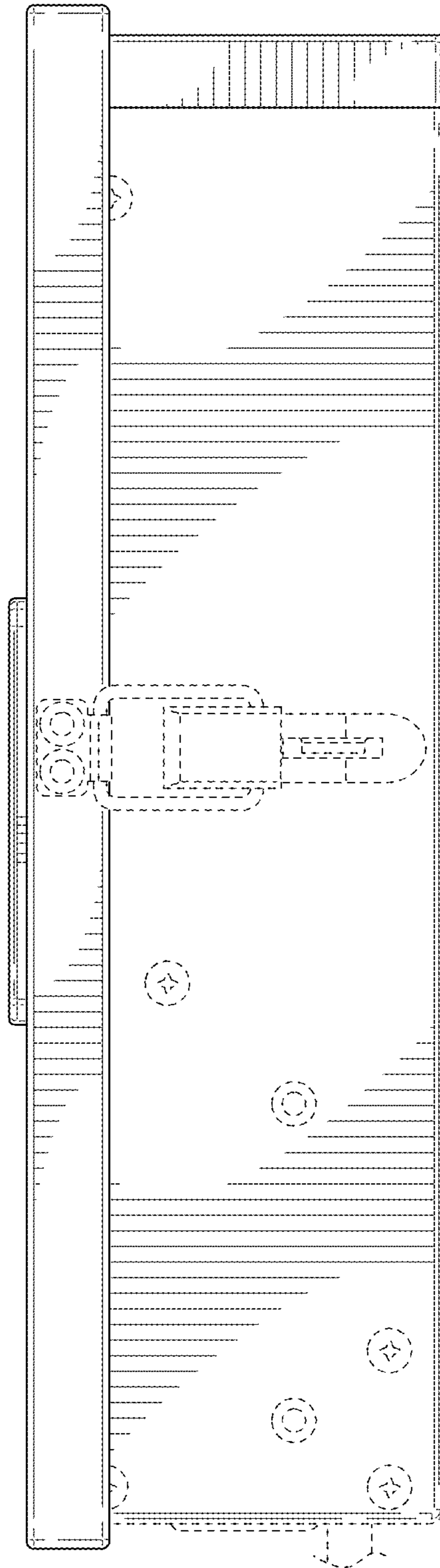


FIG. 3



**FIG. 4**

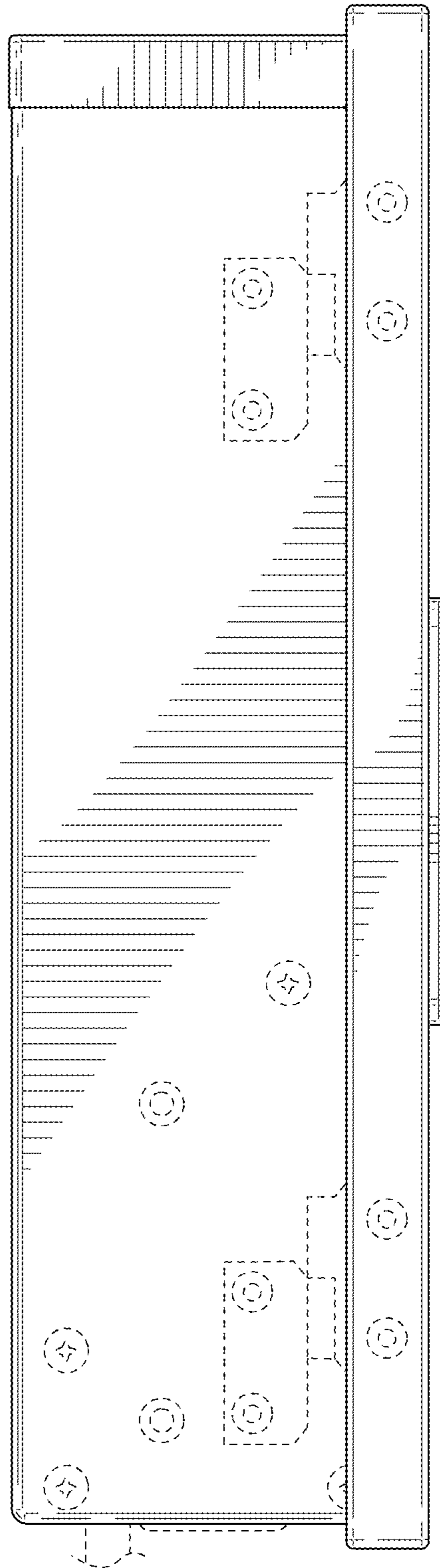
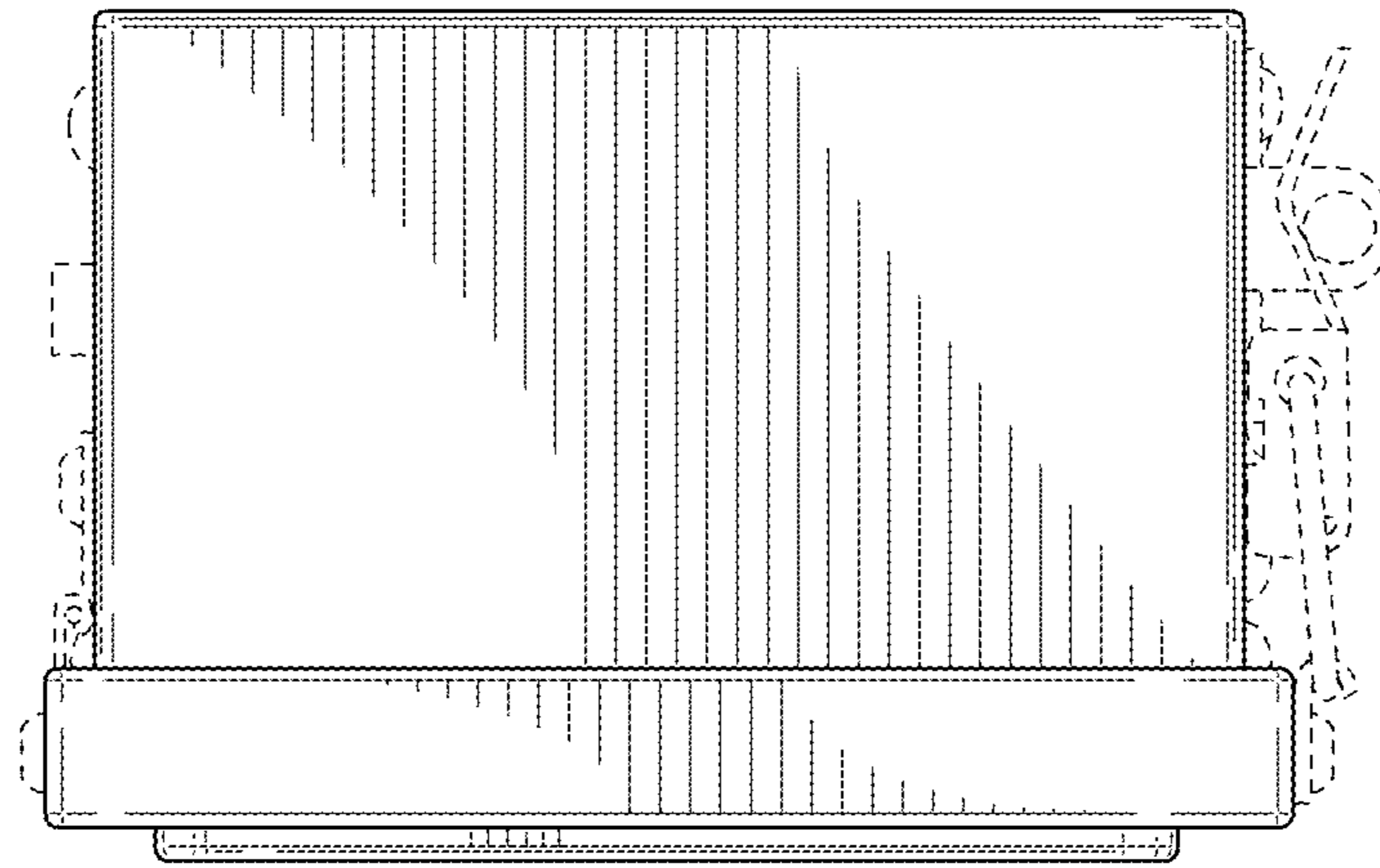
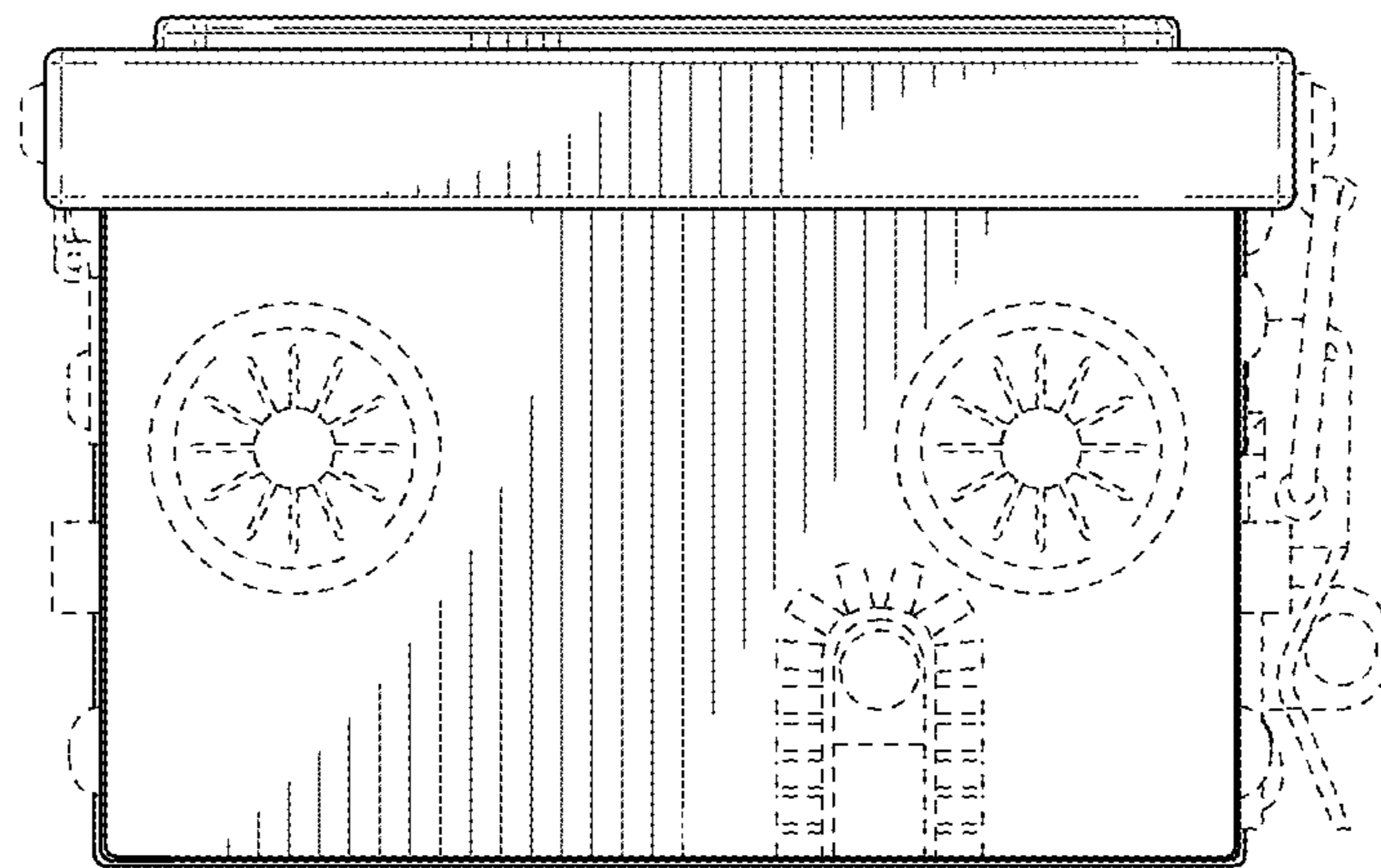


FIG. 5



**FIG. 6**



**FIG. 7**



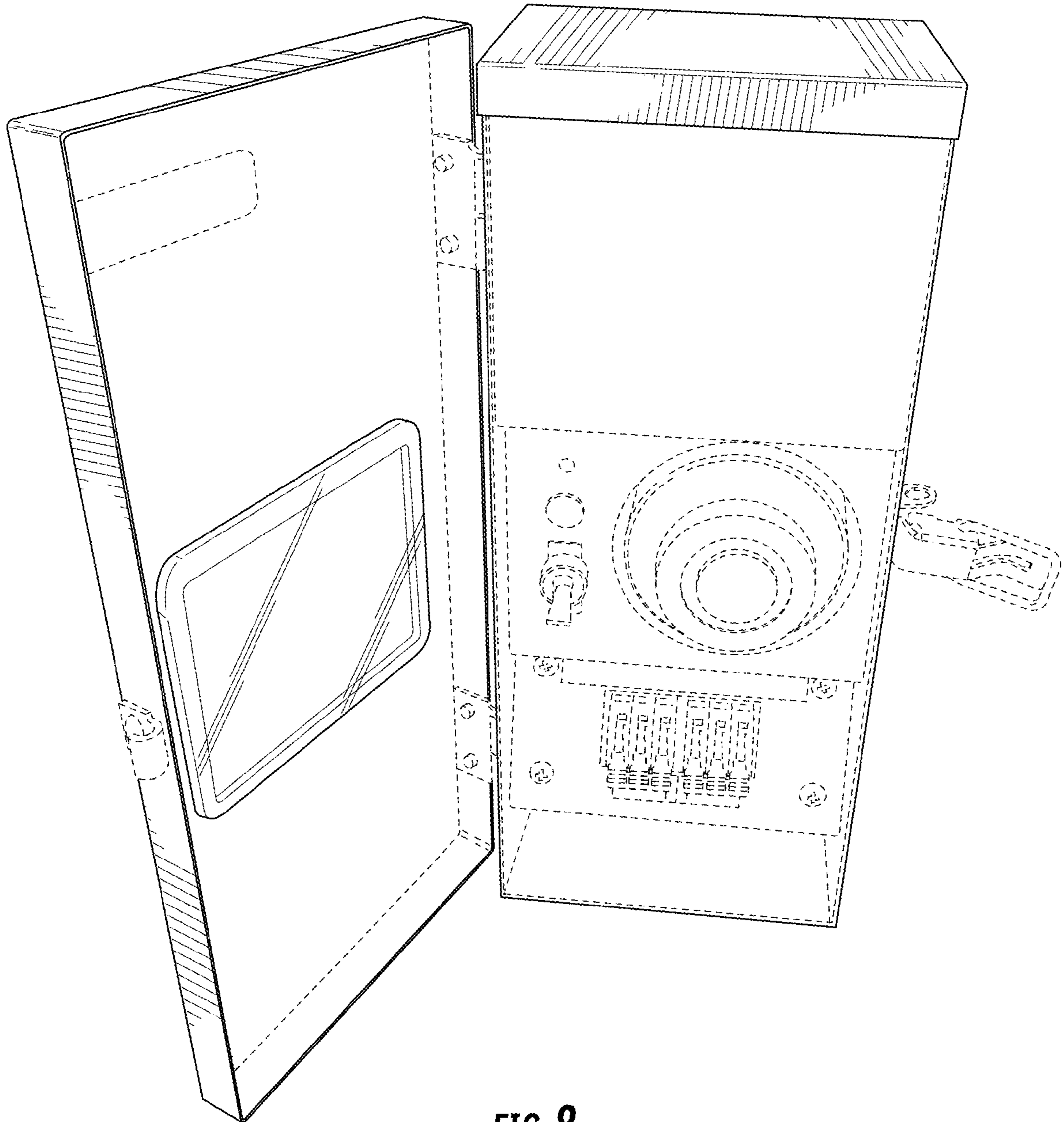


FIG. 8